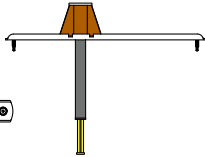
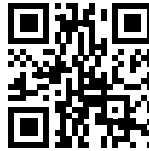


## 20 KWIK CAST CONNECT KCCM-MD L $\frac{3}{8}$ " + $\frac{1}{2}$ " ORG-YEL #2363089



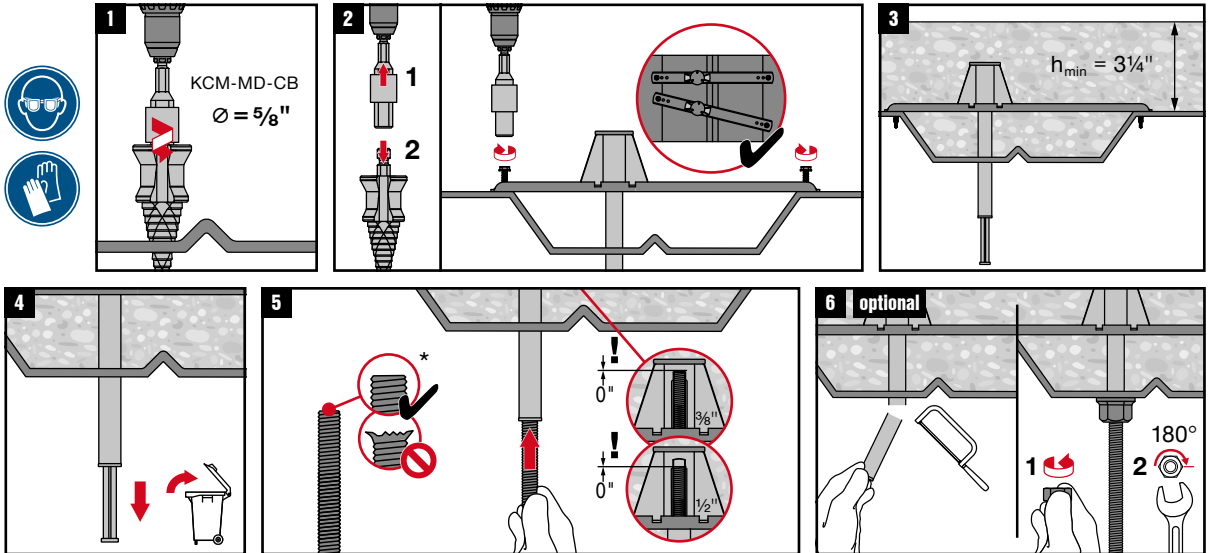
Info | Shop



qr.hilti.com/2363089

Batch Tracking  
Information

Made in Taiwan  
Hilti = trademark of Hilti Corp., Schaun, LI



Per FM approval, the metal plate of the insert must be on the top of the deck flutes. For seismic bracing applications cut tube flush to bottom of metal deck.  
\*End of rod must be free of burrs. When using a high-strength rod (>55 ksi) end must be chamfered.