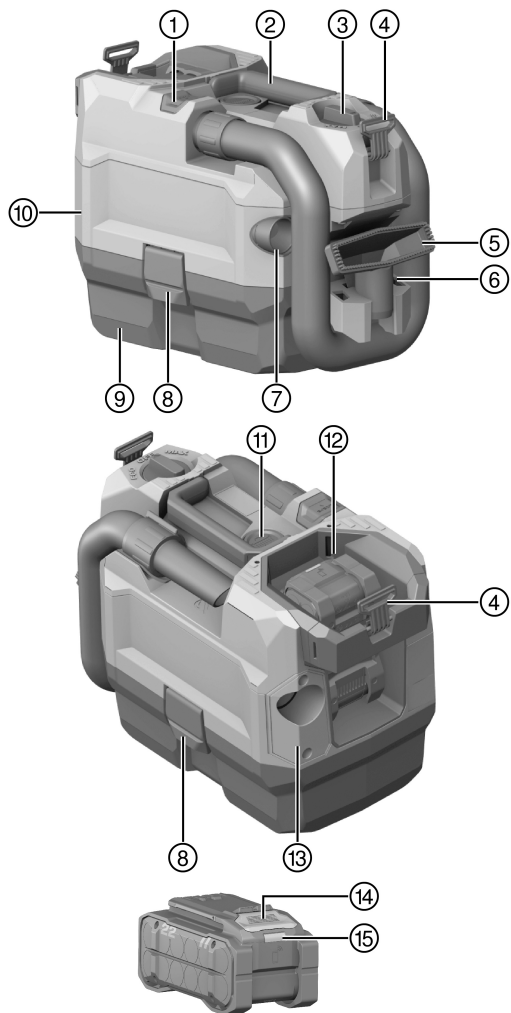


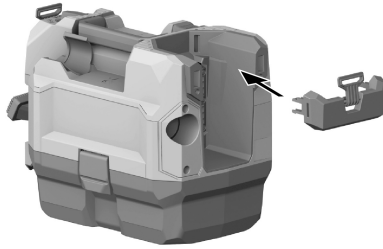


VC 75-1-22
NURON

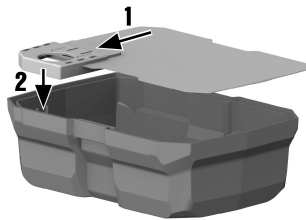
English	1
Français	12
Español	23



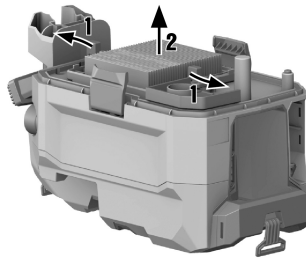
2



3



4



VC 75-1-22

en	Original operating instructions	1
fr	Mode d'emploi original	12
es	Manual de instrucciones original	23

Original operating instructions

1 Information about the documentation

1.1 About this documentation

- Read this documentation before initial operation or use. This is a prerequisite for safe, trouble-free handling and use of the product.
- Observe the safety instructions and warnings in this documentation and on the product.
- Always keep the operating instructions with the product and make sure that the operating instructions are with the product when it is given to other persons.

1.2 Explanation of symbols

1.2.1 Warnings

Warnings alert persons to hazards that occur when handling or using the product. The following signal words are used:

DANGER

DANGER !

- ▶ Draws attention to imminent danger that will lead to serious personal injury or fatality.

WARNING

WARNING !

- ▶ Draws attention to a potential threat of danger that can lead to serious injury or fatality.

CAUTION

CAUTION !

- ▶ Draws attention to a potentially dangerous situation that could lead to personal injury or damage to the equipment or other property.

1.2.2 Symbols in the operating instructions

The following symbols are used in these operating instructions:

	Comply with the operating instructions
	Instructions for use and other useful information
	Dealing with recyclable materials
	Do not dispose of electric equipment and batteries as household waste
	Hilti Li-ion battery
	Hilti charger

1.2.3 Symbols in illustrations

The following symbols are used in illustrations:

2	These numbers refer to the illustrations at the beginning of these operating instructions.
3	The numbering reflects the sequence of operations shown in the illustrations and may deviate from the steps described in the text.
11	Item reference numbers are used in the overview illustration and refer to the numbers used in the key in the product overview section.
	These characters are intended to specifically draw your attention to certain points when handling the product.



1.3 Product-dependent symbols

1.3.1 Symbols on the product

The following symbols can be used on the product:

	The product supports wireless data transmission compatible with iOS and Android platforms.
	If applied on the product, the product has been certified by this certification body for the US and Canadian markets according to the applicable standards.

1.3.2 Additional symbols for cordless products

The following symbols are used on the product:

	Hilti Li-ion battery type series used. Observe the information given in the section headed Intended use.
Li-ion	Li-ion battery
	Never use the battery as a striking tool.
	Do not drop the battery. Never use a battery that has suffered an impact or is damaged in any other way.

1.4 Product information

products are designed for professional users and only trained, authorized personnel are permitted to operate, service and maintain the products. This personnel must be specifically informed about the possible hazards. The product and its ancillary equipment can present hazards if used incorrectly by untrained personnel or if used not in accordance with the intended use.

The type designation and serial number are printed on the rating plate.

- ▶ Write down the serial number in the table below. You will be required to state the product details when contacting Hilti Service or your local Hilti organization to inquire about the product.

Product information

Dry vacuum cleaner	VC 75-1-22
Generation	02
Serial no.	

2 Safety

2.1 Important safety instructions

WARNING! READ ALL INSTRUCTIONS. Failure to follow all instructions listed below can result in electric shock, fire and/or serious injury. **KEEP THESE INSTRUCTIONS IN A HANDY YET SECURE PLACE.**

2.2 General safety instructions for electric devices

- ▶ This product is not intended for use by persons (including children) with physical, sensory or mental disabilities or persons lacking the appropriate experience and/or knowledge.
- ▶ Only persons who are familiar with it, who have been trained on how to use it safely and who understand the resulting hazards are permitted to use the tool. The tool is not intended for use by children.
- ▶ Do not allow children to play with the product. Do not allow unsupervised children to clean the device or to carry out user-maintenance tasks.
- ▶ Do not use the appliance to pick up flammable or explosive dusts (magnesium or aluminum dust etc.) or dusts that present a health hazard. Do not use the device to vacuum up materials with a temperature of over 60 °C (e.g. glowing cigarettes, hot ash). Before beginning work, check the dust class. Comply with the local regulations.
- ▶ Do not use the product on wet surfaces.
- ▶ Do not use water, oil, grease or cleaning products.
- ▶ Do not use gasoline or other flammable liquids for cleaning.



- ▶ Do not cover or obstruct openings in the housing. Do not operate the product with openings in the housing covered or obstructed. Keep the openings in the housing free of dust, lint, strands of hair, and everything that could reduce the air flow.
- ▶ Use extra care when working on stairs.
- ▶ Switch the product off before removing the battery.
- ▶ Remove the battery before making adjustments to the product, changing accessories, or putting the product away. This safety precaution prevents the product from starting accidentally.
- ▶ When not in use, keep the battery away from paper clips, coins, keys, nails, screws and other small metal objects that could cause a short circuit at the contacts. A short circuit between the contacts can cause burn injuries or result in fire.
- ▶ Recharge the batteries only with the chargers recommended by the manufacturer. A charger that is suitable for a certain type of battery can be a fire hazard if used with other batteries.
- ▶ Pay attention to your posture whenever you lift or carry the product. Avoid lifting and carrying heavy objects.

2.3 Additional safety instructions for vacuum cleaners

Work area safety

- ▶ Keep bystanders, children and visitors away while operating the power tool. Distractions may cause you to lose control of the tool.
- ▶ Pay attention to correct posture whenever you lift or carry the power tool.

Electrical safety

- ▶ Avoid body contact with earthed / grounded surfaces such as pipes, radiators, cookers, stoves and refrigerators. There is an increased risk of electric shock if your body is grounded.
- ▶ Do not expose the vacuum cleaner to rain or wet conditions. Water entering a vacuum cleaner will increase the risk of electric shock.

Personal safety

- ▶ Stay alert, watch what you are doing and use common sense when operating a power tool. Do not use a power tool while you are tired or under the influence of drugs, alcohol or medication. A moment of inattention while operating the power tool may result in serious personal injury.
- ▶ Wear your personal protective equipment and always wear protective glasses. Depending on the type of power tool you are using and its purpose, wearing safety equipment such as a dust mask, slip-resistant safety shoes, a hard hat or hearing protection will reduce the risk of injury.
- ▶ Do not use the vacuum cleaner in extremely dusty conditions.
- ▶ Do not point the hose toward persons.
- ▶ Misuse can result in liquid escaping from the battery. Avoid contact with the liquid. Liquid escaping from the battery can cause skin irritation or burns. If contact occurs, rinse off with water. In the event of the liquid coming into contact with the eyes, rinse the eyes with plenty of water and consult a doctor.

Using and handling the power tool

- ▶ Store power tools out of reach of children when not in use. Do not allow persons who are not familiar with the tool or these instructions to operate it. Power tools are dangerous in the hands of inexperienced persons.
- ▶ Take good care of the power tool. Check that moving parts operate satisfactorily and do not jam, and make sure that no parts are broken or damaged in such a way that the power tool might no longer function correctly. Have damaged parts repaired before using the tool. Many accidents are caused by poorly maintained power tools.
- ▶ Use power tools, accessories, insert tools, etc. in accordance with these instructions. Take the working conditions and the work to be performed into account. Use of power tools for applications other than those intended can result in hazardous situations.
- ▶ Use the right appliance for the job. Do not use the appliance for purposes for which it was not intended. Use it only as directed and when in faultless condition.
- ▶ Do not use the vacuum cleaner as a dust extractor in combination with other electric appliances.
- ▶ Operate the vacuum cleaner only with the filter installed.
- ▶ Avoid unintentional starting. Switch the device off before inserting the battery and before lifting or transporting the device. Never carry the device with your finger on the on/off switch. Always remove the battery when the device is not in use, before maintenance, before changing accessory tools and in preparation for and throughout transport.
- ▶ Do not sit or stand on the appliance.
- ▶ Do not use the vacuum cleaner to spray flammable liquids.



Service

- ▶ Have the power tool repaired only by a qualified specialist using only genuine Hilti spare parts. The safety of the power tool can thus be maintained.

2.4 Battery use and care

- ▶ **Comply with the following safety instructions for the safe handling and use of Li-ion batteries.** Failure to comply can lead to skin irritation, severe corrosive injury, chemical burns, fire and/or explosion.
- ▶ Use only batteries that are in perfect working order.
- ▶ Treat batteries with care in order to avoid damage and prevent leakage of fluids that are extremely harmful to health!
- ▶ Do not under any circumstances modify or tamper with batteries!
- ▶ Do not disassemble, crush or incinerate batteries and do not subject them to temperatures over 80 °C (176 °F).
- ▶ Never use or charge a battery that has suffered an impact or been damaged in any other way. Check your batteries regularly for signs of damage.
- ▶ Never use recycled or repaired batteries.
- ▶ Never use the battery or a battery-operated power tool as a striking tool.
- ▶ Never expose batteries to the direct rays of the sun, elevated temperature, sparking, or open flame. This can lead to explosions.
- ▶ Do not touch the battery poles with your fingers, tools, jewelry, or other electrically conductive objects. This can damage the battery and also cause material damage and personal injury.
- ▶ Keep batteries away from rain, moisture and liquids. Penetrating moisture can cause short circuits, electric shock, burns, fire and explosions.
- ▶ Use only chargers and power tools approved for the specific battery type. Read and follow the relevant operating instructions.
- ▶ Do not use or store the battery in explosive environments.
- ▶ If the battery is too hot to touch, it may be defective. Put the battery in a place where it is clearly visible and where there is no risk of fire, at an adequate distance from flammable materials. Allow the battery to cool down. If it is still too hot to touch after an hour, the battery is faulty. Consult **Hilti Service** or read the document entitled "Instructions on safety and use for **Hilti Li-ion batteries**".



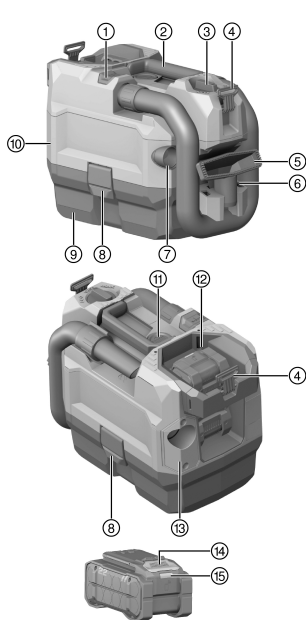
Observe the special guidelines applicable to the transport, storage and use of lithium-ion batteries.
→ page 10

Read the instructions on safety and use of **Hilti Li-ion batteries** that you can access by scanning the QR code at the end of these operating instructions.



3 Description

3.1 Product overview



- ① **EJECT** button for hose
- ② Grip
- ③ Control switch
- ④ Holder for shoulder strap
- ⑤ Hand nozzle
- ⑥ Hose
- ⑦ Crevice nozzle
- ⑧ Catch
- ⑨ Waste material container
- ⑩ Suction head
- ⑪ **CLEAN** button for filter cleaning
- ⑫ Battery compartment
- ⑬ Discharged-air filter

3.2 Intended use

The product described is a cordless vacuum cleaner and is designed for commercial use, e.g. in hotels, schools, hospitals, factories, shops, offices and by rental companies. It is suitable for dry applications only. This product is not approved for the **Hilti SafeSet** application.

- For this product, use only **Hilti** Nuron lithium-ion batteries of the B 22 series. For optimum performance, **Hilti** recommends the batteries stated in the table at the end of these operating instructions for this product.
- For these batteries, use only **Hilti** chargers of the type series stated in the table at the end of these operating instructions.

3.3 Items supplied

Dry vacuum cleaner complete with filter element, suction hose with connectors, hand nozzle, crevice nozzle, shoulder strap, clip with holder for shoulder strap and operating instructions.

Other system products approved for use with this product can be found at your local **Hilti Store** or at: www.hilti.group

3.4 Control switch

Status	Meaning
ECO	Energy-saving mode
MAX	Switching on
OFF	Switching off



3.5 Indication of overloading and overheating

The power tool is equipped with an electronic system to protect against overloading and overheating. The power tool switches itself off automatically in the event of overloading or overheating. The power tool might not restart immediately after being switched off and then on again at the control switch (cooling phases).

3.6 Status indicators of the Li-ion battery

Hilti Nuron Li-ion batteries can indicate state of charge, fault messages and the battery's state of health.

3.6.1 Indicators for state of charge and fault messages



WARNING

Risk of injury by a falling battery!

- ▶ If the release button is pressed with a battery inserted in the product, subsequently check that the battery is correctly re-engaged and secure.

Short-press the release button of the battery to get whichever of the following status indications is applicable at the time.

State of charge and, if applicable, faults are indicated constantly as long as the connected product is switched on.

Status	Meaning
Four (4) LEDs show constantly green	State of charge: 100 % to 71 %
Three (3) LEDs show constantly green	State of charge: 70 % to 51 %
Two (2) LEDs show constantly green	State of charge: 50 % to 26 %
One (1) LED shows constantly green	State of charge: 25 % to 10 %
One (1) LED slow-flashes green	State of charge: < 10 %
One (1) LED quick-flashes green	The Li-ion battery is completely discharged. Recharge the battery. If the LED again starts quick-flashing after the battery has been charged, consult Hilti Service .
One (1) LED quick-flashes yellow	The Li-ion battery or the product in which it is inserted is overloaded, too hot or too cold, or experiencing some other fault. Bring the product and the battery to the recommended working temperature and do not overload the product when it is in use. If the message persists, consult Hilti Service .
One (1) LED shows yellow	The Li-ion battery and the product in which it is inserted are not compatible. Consult Hilti Service .
One (1) LED quick-flashes red	The Li-ion battery is locked and cannot be used. Consult Hilti Service .

3.6.2 Indicators showing the battery's state of health

To check the battery's state of health, press the release button and hold it down for longer than three seconds. The system does not detect a potential malfunction of the battery due to misuse, for example battery dropped or pierced, external heat damage, etc.

Status	Meaning
All LEDs show in sequence, followed by one (1) LED showing constantly green.	The battery can remain in use.
All LEDs show in sequence, followed by one (1) LED quick-flashing yellow.	The check to ascertain the battery's state of health did not complete. Repeat the procedure, or consult Hilti Service .



Status	Meaning
All LEDs show in sequence, followed by one (1) LED showing constantly red.	If a connected product can still be used, the remaining battery capacity is below 50 %. If a connected product can no longer be used, the battery has reached the end of its useful life and has to be replaced. Consult Hilti Service .

4 Technical data

	VC 75-1-22
Weight	4.6 kg (10.1 lb)
Rated voltage (DC)	21.6 V
Rated current input	16 A
Maximum volumetric flow rate (air)	35 ℓ /s (9 liq. gal _{US} /s)
Max. volume flow rate (end of hose)	82 m ³ /h (23 ℓ /s) (2,900 ft ³ /h (6 liq. gal _{US} /s))
Max. vacuum	11 kPa (110 mbar) (2 psi (1.6 psi))

4.1 Battery

Battery operating voltage	21.6 V
Weight, battery	See the end of these operating instructions
Ambient temperature for operation	-17 °C ... 60 °C (1 °F ... 140 °F)
Storage temperature	-20 °C ... 40 °C (-4 °F ... 104 °F)
Battery charging starting temperature	-10 °C ... 45 °C (14 °F ... 113 °F)

5 Preparations at the workplace

Observe the safety instructions and warnings in this documentation and on the product.
The appliance may be operated only by authorized, trained personnel.

5.1 Installing clip

Install the clip prior to initial start-up.

- ▶ Push the clip into its mounts until the clip snaps into engagement.



Make sure that the holder for the shoulder strap is facing up.

5.2 Charging the battery

1. Before charging the battery, read the operating instructions for the charger.
2. Make sure that the contacts on the battery and the contacts on the charger are clean and dry.
3. Use an approved charger to charge the battery. → page 5



5.3 Inserting the battery

WARNING

Risk of injury by short circuit or falling battery!

- ▶ Before inserting the battery, make sure that the contacts on the battery and the contacts on the product are free of foreign matter.
- ▶ Make sure that the battery always engages correctly.

1. Charge the battery fully before using it for the first time.
2. Push the battery into the product until it engages with an audible click.
3. Check that the battery is seated securely.

5.4 Removing the battery

1. Press the battery release button.
2. Remove the battery from the product.

5.5 Changing the filter bag

1. Switch the appliance off.
2. Open the two catches.
3. Lift the suction head off the waste material container.
4. Remove the filter bag and remove the holder for the filter bag.
5. Push the holder for the filter bag on to a new filter bag.
6. Secure the holder with the filter bag to the ribs of the waste material container.
7. Set the suction head on the waste material container and close the two catches.

5.6 Connecting/disconnecting the suction hose

1. Connect the suction hose to the suction hose intake socket.
 - ▶ The suction hose should be heard to engage.
2. To disconnect the suction hose, press and hold down the **EJECT** button.
3. Disconnect the suction hose from the suction hose intake socket.

6 Types of work

WARNING

Risk of injury !

- ▶ Use of this product to pick up hazardous dusts is not permissible.
- ▶ Use this product only for dry applications.

6.1 Switching the device on / off

1. To switch on the device, turn the control switch to this position: **MAX**.



To operate the device for a longer period at reduced suction power, set the control switch to this position: **ECO**.

2. To switch off the device, set the control switch to this position: **OFF**.

6.2 Blower function



Before using the blower function, check that there is nothing inside the hose.
Do not point the hose toward persons.

1. To disconnect the suction hose, press and hold down the **EJECT** button.
2. Disconnect the suction hose from the suction hose intake socket.



3. Connect the hose to the outlet socket.
 - ▶ The vacuum cleaner is ready for use



In order to use the suction function, reconnect the hose to the intake socket.

6.3 Cleaning the filter

1. Switch the appliance on.
2. Hold your hand over the end of the hose.
3. Wait until maximum vacuum pressure is reached.
4. Press the **CLEAN** button 4-5 times.
5. Switch the appliance off.

6.4 After use of the vacuum cleaner

1. Turn the control switch to this position: **OFF**.
2. Empty the container and clean the appliance by wiping it with a damp cloth.
3. Snap the hose into the hose holder.
4. Stow the nozzles away.
5. Store the vacuum cleaner in a secure, dry place where it is inaccessible to unauthorized users.
 - ▶ **CAUTION** This vacuum cleaner may be stored only indoors.

7 Care and maintenance



WARNING

Risk of injury with battery inserted !

- ▶ Always remove the battery before carrying out care and maintenance tasks!

Care of the product

- Carefully remove stubborn dirt.
- Carefully clean the air vents, if present, with a dry, soft brush.
- Use only a slightly damp cloth to clean the housing. Do not use cleaning agents containing silicone as these can attack the plastic parts.
- Use a dry, clean cloth to clean the contacts of the product.

Care of the Li-ion batteries

- Never use a battery with clogged air vents. Clean the air vents carefully using a dry, soft brush.
- Avoid unnecessary exposure of the battery to dust and dirt. Never expose the battery to high levels of moisture (e.g. by being dipped in water or left in the rain).
If a battery has been soaked by moisture, treat it as a damaged battery. Isolate it in a non-flammable container and consult **Hilti Service**.
- Keep the battery free of extraneous oil and grease. Do not permit dust or dirt to accumulate unnecessarily on the battery. Clean the battery with a dry, soft brush or a clean, dry cloth. Do not use cleaning agents containing silicone as these can attack the plastic parts.
Do not touch the contacts of the battery and do not remove the factory-applied grease from the contacts.
- Use only a slightly damp cloth to clean the housing. Do not use cleaning agents containing silicone as these can attack the plastic parts.

Maintenance

- Check all visible parts and controls for signs of damage at regular intervals and make sure that they all function correctly.
- Do not use the product if signs of damage are found or if parts malfunction. Immediately have the product repaired by **Hilti Service**.
- After cleaning and maintenance, install all guards and protective devices and check that they are in full working order.



To help ensure safe and reliable operation, use only genuine Hilti spare parts and consumables. Spare parts, consumables and accessories approved by **Hilti** for use with your product can be found at your **Hilti Store** or online at: www.hilti.group



7.1 Changing the filter

1. Switch the appliance off.
2. Open the two catches.
3. Lift the suction head off the waste material container.
4. Open the twist lock.
5. Remove the filter along with the filter frame.
6. Remove all dust from the seal and from the filter frame holder.
7. Set the filter frame on a new filter.
8. Fit the filter frame into the holder for the filter frame.
9. Lock the filter frame into position with the filter latches.
10. Set the suction head on the waste material container and close the two catches.

8 Transport and storage of cordless tools and batteries

Transport

CAUTION

Accidental starting during transport !

- ▶ Always transport your products with the batteries removed!
- ▶ Remove the battery/batteries.
- ▶ Never transport batteries loose and unprotected. During transport, batteries should be protected from excessive shock and vibration and isolated from any conductive materials or other batteries that may come in contact with the terminals and cause a short circuit. **Comply with the locally applicable regulations for transporting batteries.**
- ▶ Do not send batteries through the mail. Consult your shipper for instructions on how to ship undamaged batteries.
- ▶ Prior to each use and before and after prolonged transport, check the product and the batteries for damage.

Storage

WARNING

Accidental damage caused by defective or leaking batteries !

- ▶ Always store your products with the batteries removed!
- ▶ Store the product and the batteries in a cool and dry place. Comply with the temperature limits stated in the technical data.
- ▶ Do not store batteries on the charger. Always remove the battery from the charger when the charging operation has completed.
- ▶ Never leave batteries in direct sunlight, on sources of heat, or behind glass.
- ▶ Store the product and batteries where they cannot be accessed by children or unauthorized persons.
- ▶ Prior to each use and before and after prolonged storage, check the product and the batteries for damage.

9 Troubleshooting

If the trouble you are experiencing is not listed in this table or you are unable to remedy the problem by yourself, contact **Hilti Service**.

Trouble or fault	Possible cause	Action to be taken
The battery does not engage with an audible click.	The retaining lugs on the battery are dirty.	▶ Clean the retaining lugs and push the battery in until it engages.
1 LED flashes yellow.	Check the battery fault code.	▶ For information about the LED codes of the battery see the section headed "Status indicators of the Li-ion battery" → page 6.



Trouble or fault	Possible cause	Action to be taken
1 LED flashes yellow.	The motor has overheated.	<ul style="list-style-type: none"> ▶ Switch the appliance off. ▶ Wait 10 minutes. ▶ Remove the blockage or clean the filter, intake connector, hose or exhaust air filter. ▶ Switch the appliance on.
Reduced suction performance.	The waste material container is full.	▶ Empty the waste material container.
	The suction hose or nozzle is blocked.	▶ Clean the suction hose and nozzle.
	The filter is clogged	▶ Clean the filter. → page 9
		▶ Change the filter. → page 10
		▶ Check that the filter is seated correctly.
The suction hose or nozzle is damaged.	▶ Replace the suction hose or nozzle.	
The suction hose is not engaged.	▶ Snap the suction hose into engagement. → page 8	
Slight electric shocks are felt.	Electrostatic discharge.	<ul style="list-style-type: none"> ▶ Increase the air humidity. ▶ Operate the vacuum cleaner in ECO mode.

10 Disposal



WARNING

Risk of injury due to incorrect disposal! Health hazards due to escaping gases or liquids.

- ▶ DO NOT send batteries through the mail!
- ▶ Cover the terminals with a non-conductive material (such as electrical tape) to prevent short circuiting.
- ▶ Dispose of your battery out of the reach of children.
- ▶ Dispose of the battery at your **Hilti Store**, or consult your local governmental garbage disposal or public health and safety resources for disposal instructions.

Most of the materials from which **Hilti** products are manufactured can be recycled. The materials must be correctly separated before they can be recycled. In many countries, your old tools, machines or appliances can be returned to **Hilti** for recycling. Ask **Hilti Service** or your Hilti sales representative for further information.



- ▶ Do not dispose of power tools, electronic equipment or batteries as household waste!

11 Manufacturer's warranty

- ▶ Please contact your local **Hilti** representative if you have questions about the warranty conditions.

12 Further information

For more information on operation, technology, environment and recycling, follow this link: qr.hilti.com/manual/?id=2284804

This link is also to be found at the end of the documentation, in the form of a QR code.



Mode d'emploi original

1 Indications relatives à la documentation

1.1 À propos de cette documentation

- Lire intégralement la présente documentation avant la mise en service. C'est la condition préalablement requise pour assurer la sécurité du travail et un maniement sans perturbations.
- Bien respecter les consignes de sécurité et les avertissements de la présente documentation ainsi que celles figurant sur le produit.
- Toujours conserver le mode d'emploi à proximité du produit et uniquement le transmettre à des tiers avec ce mode d'emploi.

1.2 Explication des symboles

1.2.1 Avertissements

Les avertissements attirent l'attention sur des dangers liés à l'utilisation du produit. Les termes de signalisation suivants sont utilisés :



DANGER

DANGER !

- ▶ Pour un danger imminent qui peut entraîner de graves blessures corporelles ou la mort.



AVERTISSEMENT

AVERTISSEMENT !

- ▶ Pour un danger potentiel qui peut entraîner de graves blessures corporelles ou la mort.



ATTENTION

ATTENTION !

- ▶ Pour une situation potentiellement dangereuse pouvant entraîner des blessures corporelles ou des dégâts matériels.

1.2.2 Symboles dans le manuel d'utilisation

Les symboles suivants sont utilisés dans le présent manuel d'utilisation :

	Respecter le manuel d'utilisation
	Pour des conseils d'utilisation et autres informations utiles
	Maniement des matériaux recyclables
	Ne pas jeter les appareils électriques et les accus dans les ordures ménagères
	Hilti Accu Li-Ion
	Hilti Chargeur

1.2.3 Symboles dans les illustrations

Les symboles suivants sont utilisés dans les illustrations :



	Ces chiffres renvoient à l'illustration correspondante au début du présent manuel d'utilisation.
	La numérotation détermine la séquence des étapes de travail dans l'image et peut se différencier de celles des étapes de travail dans le texte.
	Les numéros de position sont utilisés dans l'illustration Vue d'ensemble et renvoient aux numéros des légendes dans la section Vue d'ensemble du produit .
	Ce signe doit inviter à manier le produit en faisant particulièrement attention.



1.3 Symboles spécifiques au produit




1.3.1 Symboles sur le produit

Les symboles suivants peuvent être utilisés sur le produit :


	Le produit prend en charge la transmission de données sans fil qui est compatible avec les plates-formes iOS et Android.
	Si présent sur le produit, c'est que le produit a été certifié conformément aux normes en vigueur par cet organisme de certification pour le marché nord-américain et canadien.

1.3.2 Symboles supplémentaires sur les produits sans fil

Les symboles suivants sont utilisés sur le produit :

	Série de type d'accu Li-Ion Hilti utilisée. Observer les instructions au chapitre Utilisation conforme à l'usage prévu .
Li-Ion	Accu lithium-ions
	Ne jamais utiliser l'accu comme outil de percussion.
	Ne pas laisser tomber l'accu. Ne pas utiliser d'accu ayant subi un choc ou d'autres dommages.

1.4 Informations produit

Les produits  sont destinés aux professionnels et ne doivent être utilisés, entretenus et réparés que par un personnel autorisé et formé. Ce personnel doit être spécialement instruit quant aux dangers inhérents à l'utilisation de l'appareil. Le produit et ses accessoires peuvent s'avérer dangereux s'ils sont utilisés de manière incorrecte par un personnel non qualifié ou de manière non conforme à l'usage prévu. La désignation du modèle et le numéro de série figurent sur sa plaque signalétique.

- ▶ Inscrivez le numéro de série dans le tableau suivant. Les informations produit vous seront demandées lorsque vous contactez nos revendeurs ou services après-vente.

Caractéristiques du produit

Aspirateur sec	VC 75-1-22
Génération	02
N° de série	

2 Sécurité

2.1 Consignes de sécurité importantes

AVERTISSEMENT ! LIRE ATTENTIVEMENT TOUTES LES INDICATIONS. Le non-respect des instructions indiquées ci-après peut entraîner un choc électrique, un incendie et / ou de graves blessures sur les personnes. GARDER PRÉCIEUSEMENT CES INSTRUCTIONS DE SÉCURITÉ.

2.2 Consignes générales de sécurité pour appareils électriques

- ▶ Le produit n'a pas été conçu pour être utilisé par des personnes (y compris des enfants) présentant des capacités physiques, sensorielles ou mentales diminuées, ni par des personnes insuffisamment expérimentées et/ou ne disposant pas des connaissances requises.
- ▶ Le produit doit uniquement être utilisé par des personnes qui connaissent bien l'appareil, ont été formées quant à son utilisation en toute sécurité et comprennent les dangers qui en résultent. Le produit n'est pas destiné aux enfants.
- ▶ Veiller à ce que les enfants ne jouent pas avec le produit. Le nettoyage et l'entretien incombant à l'utilisateur ne doivent pas être faits par des enfants sans surveillance.
- ▶ Il est interdit d'aspirer des poussières nuisibles à la santé, inflammables et/ou explosives (poussières de magnésium-aluminium, etc.). Ne pas aspirer de matières présentant une température supérieure à 60 °C (exemple : cigarettes mal éteintes, cendres chaudes). Contrôler la classe de poussières avant de commencer le travail. Tenir compte des directives locales.
- ▶ Ne pas utiliser le produit sur des surfaces humides.
- ▶ Ne pas utiliser de l'eau, de l'huile, de la graisse ou de nettoyant.



- ▶ Ne pas utiliser d'essence ni toute autre substance inflammable pour effectuer des opérations de nettoyage.
- ▶ Ne jamais couvrir les ouïes d'aération de l'appareil. Ne pas utiliser le produit si les ouïes d'aération de l'appareil sont recouvertes. Veiller à ce que les ouïes d'aération de l'appareil soient exemptes de poussières, peluches, cheveux et de tout ce qui est susceptible de réduire le flux d'air.
- ▶ Redoubler d'attention lors d'interventions sur des escaliers.
- ▶ Arrêter le produit avant d'enlever l'accu.
- ▶ Retirer le bloc-accu, avant d'effectuer des réglages sur l'appareil, de changer les accessoires ou de ranger le produit. Cette mesure de précaution empêche une mise en fonctionnement par mégarde du produit.
- ▶ Tenir l'accu non utilisé à l'écart de tous objets métalliques tels qu'agrafes, pièces de monnaie, clés, clous, vis ou autres, étant donné qu'un pontage peut provoquer un court-circuit. Un court-circuit entre les contacts peut provoquer des brûlures ou un incendie.
- ▶ Ne charger les accus que dans des chargeurs recommandés par le fabricant. Si un chargeur approprié à un type spécifique d'accus est utilisé avec des accus non recommandés pour celui-ci, il y a risque d'incendie.
- ▶ Prêter attention à sa posture en soulevant ou en portant le produit. Éviter de soulever et de porter de lourdes charges.

2.3 Consignes de sécurité supplémentaires relatives à l'aspirateur

Sécurité sur le lieu de travail

- ▶ Maintenir les enfants et les personnes présentes à distance pendant l'utilisation de l'outil électroportatif. En cas d'inattention, vous risquez de perdre la maîtrise de l'appareil.
- ▶ Prêter attention à sa posture en soulevant ou en portant l'outil électroportatif.

Sécurité relative au système électrique

- ▶ Éviter le contact physique avec des surfaces mises à la terre tels que tuyaux, radiateurs, cuisinières et réfrigérateurs. Il y a un risque élevé de choc électrique au cas où votre corps serait relié à la terre.
- ▶ Ne pas exposer l'aspirateur à la pluie ou à l'humidité. La pénétration d'eau dans un système d'aspiration augmente le risque de choc électrique.

Sécurité des personnes

- ▶ Soyez vigilant, surveillez vos actions, faites preuve de bon sens lorsque vous utilisez l'outil électroportatif. Ne pas utiliser l'outil électroportatif en étant fatigué ou sous l'emprise de l'alcool, de drogues ou de médicaments. Un moment d'inattention lors de l'utilisation de l'outil électroportatif peut entraîner des blessures graves.
- ▶ Utiliser un équipement de protection individuel et toujours porter une protection oculaire. Les équipements de protection individuel tels que masque antipoussière, chaussures de sécurité antidérapantes, casque de protection ou protection acoustique, selon l'utilisation de l'outil électroportatif, réduisent le risque de blessures.
- ▶ Ne pas utiliser l'aspirateur dans un environnement très chargé en poussière.
- ▶ Ne pas diriger le flexible vers des personnes.
- ▶ En cas d'utilisation abusive, du liquide peut sortir de la batterie. Éviter tout contact avec ce liquide. Le liquide qui sort de la batterie peut entraîner des irritations de la peau ou causer des brûlures. En cas de contact, rincer à l'eau. Si le liquide rentre dans les yeux, les rincer abondamment à l'eau et consulter en plus un médecin.

Utilisation et maniement de l'outil électroportatif

- ▶ Conserver hors de portée des enfants les outils électroportatifs non utilisés. Ne pas permettre l'utilisation de l'appareil à des personnes qui ne se sont pas familiarisées avec celui-ci ou qui n'ont pas lu ces instructions. Les outils électroportatifs sont dangereux lorsqu'ils sont entre les mains de personnes non initiées.
- ▶ Prendre soin des outils électroportatifs. Vérifier que les parties en mouvement fonctionnent correctement et qu'elles ne sont pas coincées, et vérifier si des éléments sont cassés ou endommagés au point d'affecter le bon fonctionnement de l'outil électroportatif. Faire réparer les éléments endommagés avant d'utiliser l'appareil. De nombreux accidents sont dus au mauvais entretien des outils électroportatifs.
- ▶ L'outil électroportatif, les accessoires, les outils amovibles, etc. doivent être utilisés conformément à ces instructions. Tenir également compte des conditions de travail et du travail à réaliser. L'utilisation des outils électroportatifs à d'autres fins que celles prévues peut entraîner des situations dangereuses.
- ▶ Utiliser l'appareil approprié. Ne pas utiliser l'appareil à des fins non prévues, mais seulement conformément aux spécifications et dans un excellent état.
- ▶ Ne pas utiliser l'aspirateur comme dépoussiéreur associé à des appareils électriques.



- ▶ Utiliser uniquement l'aspirateur avec le filtre est monté.
- ▶ Éviter tout démarrage intempestif de l'appareil. Arrêter l'appareil avant d'introduire l'accu, de l'enlever ou de le transporter. Ne pas porter l'appareil avec le doigt sur l'interrupteur Marche/Arrêt. Lorsque l'appareil n'est pas utilisé pendant une pause, avant un entretien, lors du remplacement d'outils ou du transport, l'accu doit être retiré de l'appareil.
- ▶ Ne pas s'asseoir ni se tenir debout sur l'appareil.
- ▶ Ne pas utiliser l'appareil pour la pulvérisation de liquides inflammables.

Service après-vente

- ▶ L'outil électroportatif doit être réparé uniquement par un personnel qualifié, utilisant exclusivement des pièces de rechange d'origine. Ceci permet d'assurer la sûreté de l'outil électroportatif.

2.4 Utilisation et emploi soigneux des batteries

- ▶ **Respecter les consignes de sécurité suivantes relatives à la manipulation et à l'utilisation des accus Li-Ion.** Le non-respect de telles mesures risque de provoquer des irritations cutanées, des blessures graves corrosives, des brûlures chimiques, des incendies et/ou des explosions.
- ▶ Utiliser les accus uniquement dans un état techniquement impeccable.
- ▶ Traiter les accus avec soin pour éviter les endommagement et les fuites de liquides très nocifs pour la santé !
- ▶ Les accus ne doivent en aucun cas être modifiés ou manipulés !
- ▶ Les accus ne doivent pas être démontés, écrasés, chauffés à une température supérieure à 80 °C (176 °F) ou jetés au feu.
- ▶ Ne pas utiliser ni recharger d'accus ayant subi un choc ou ayant été endommagés de quel-qu'autre manière. Vérifier régulièrement l'absence de traces d'endommagement sur les accus.
- ▶ Ne jamais utiliser d'accus recyclés ou réparés.
- ▶ Ne jamais utiliser l'accu ni aucun outil électrique sans fil comme outil de percussion.
- ▶ Ne jamais exposer les accus à un rayonnement direct du soleil, des températures élevées, des étincelles ou des flammes nues. Il y a alors risque d'explosions.
- ▶ Ne jamais toucher les pôles avec les doigts, des outils, des bijoux ou tout autre objet métallique. Cela peut endommager l'accu et entraîner des dommages matériels et des blessures.
- ▶ Maintenir les accus à l'abri de la pluie, de l'humidité et des liquides. Toute pénétration d'humidité risque de provoquer un court-circuit, des chocs électriques, des brûlures, des incendies ou des explosions.
- ▶ Utiliser exclusivement les chargeurs et outils électriques prévus pour le type d'accu considéré. Respecter à ce sujet les indications du mode d'emploi correspondant.
- ▶ Ne pas utiliser ni stocker l'accu dans des environnements présentant des risques d'explosion.
- ▶ Si l'accu est trop chaud pour être touché, il est probablement défectueux. Placer l'accu dans un endroit bien visible, non inflammable et suffisamment éloigné de matériaux inflammables. Laisser l'accu refroidir. Si, après une heure, l'accu est toujours trop chaud pour être saisi, c'est qu'il est défectueux. Contacter le service après-vente **Hilti** ou consulter le document « Instructions de sécurité et d'utilisation pour les accus Li-Ion **Hilti** ».



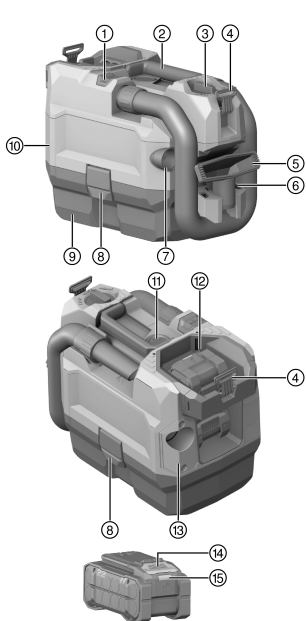
Respecter les directives spécifiques pour le transport, le stockage et l'utilisation d'accus Li-Ion.
→ Page 21

Lire les remarques relatives à la sécurité et à l'utilisation des accus Li-Ion **Hilti** que vous trouverez en scannant le code QR à la fin de ce mode d'emploi.



3 Description

3.1 Vue d'ensemble du produit



- ① Touche **EJECT** pour le flexible
- ② Poignée
- ③ Commutateur de l'appareil
- ④ Fixation pour sangle d'épaule
- ⑤ Buse à main
- ⑥ Flexible
- ⑦ Suceuse plate
- ⑧ Brides de fermeture
- ⑨ Réservoir de salissures
- ⑩ Tête aspirante
- ⑪ Touche **CLEAN** pour le nettoyage du filtre
- ⑫ Compartiment de la batterie
- ⑬ Filtre de sortie

3.2 Utilisation conforme à l'usage prévu

Le produit décrit est un aspirateur sur accu destiné à une utilisation commerciale, par ex. dans les hôtels, les écoles, les hôpitaux, les usines, les magasins, les bureaux et les agences de location. Il doit être utilisé seulement pour des applications à sec.

Ce produit n'est pas homologué pour une application **Hilti SafeSet**.

- Pour ce produit, utiliser exclusivement des accus Li-Ion **Hilti** Nuron de la série B 22. Pour une puissance optimale, **Hilti** recommande pour ce produit les accus indiqués dans le tableau à la fin de ce mode d'emploi.
- Pour ces accus, utiliser exclusivement des chargeurs **Hilti** des séries indiquées dans le tableau à la fin de ce mode d'emploi.

3.3 Éléments livrés

Aspirateur sec avec cartouche filtrante, flexible d'aspiration complet, buse à main, suceuse plate, sangle d'épaule, étrier avec fixation pour sangle d'épaule et mode d'emploi.

D'autres produits système pour votre produit peuvent être trouvés dans votre **Hilti Store** ou à l'adresse : www.hilti.group

3.4 Commutateur de l'appareil

État	Signification
ECO	Mode économie d'énergie
MAX	Mise en marche
OFF	Arrêt



3.5 Indication des surcharges et surchauffes

L'appareil est équipé d'un système de protection électronique contre les surcharges et les surchauffes. En cas de surcharge ou de surchauffe, l'appareil s'arrête automatiquement. Si l'appareil est arrêté sur le commutateur de l'appareil puis remis en marche, il peut y avoir des retards de mise en marche (phases de refroidissement de l'appareil).

3.6 Affichages de l'accu Li-Ion

Les accus Li-Ion Hilti Nuron peuvent afficher l'état de charge, les messages d'erreur et l'état de l'accu.

3.6.1 Affichages de l'état de charge et des messages d'erreur



AVERTISSEMENT

Risque de blessures en cas de chute de l'accu !

- ▶ Lorsque l'accu est inséré et après voir appuyé sur la touche de déverrouillage, s'assurer que l'accu est correctement réenclenché dans le produit utilisé.

Pour consulter un des affichages suivants, appuyer brièvement sur la touche de déverrouillage de l'accu. L'état de charge et les dysfonctionnements possibles sont affichés en permanence tant que le produit raccordé est allumé.

État	Signification
Quatre (4) DEL sont allumées en vert en continu	État de charge : de 100 % à 71 %
Trois (3) DEL sont allumées en vert en continu	État de charge : de 70 % à 51 %
Deux (2) DEL sont allumées en vert en continu	État de charge : de 50 % à 26 %
Une (1) DEL est allumée en vert en continu	État de charge : de 25 % à 10 %
Une (1) DEL clignote lentement en vert	État de charge : < 10 %
Une (1) DEL clignote rapidement en vert	L'accu Li-Ion est entièrement déchargé. Charger l'accu. Si la DEL continue de clignoter rapidement après la charge de l'accu, s'adresser au S.A.V. Hilti .
Une (1) DEL clignote rapidement en jaune	L'accu Li-Ion ou le produit correspondant est surchargé, trop chaud, trop froid ou il y a un autre défaut. Amener le produit et l'accu à la température de travail recommandée et ne pas surcharger le produit pendant son utilisation. Si le message ne disparaît pas, s'adresser au S.A.V. Hilti .
Une (1) DEL est allumée en jaune	L'accu Li-Ion ainsi que le produit connecté ne sont pas compatibles. Merci de s'adresser au S.A.V Hilti .
Une (1) DEL clignote rapidement en rouge	L'accu Li-Ion est verrouillé et ne peut plus être utilisé. Merci de s'adresser au S.A.V Hilti .

3.6.2 Affichages de l'état de l'accu

Pour consulter l'état de l'accu, maintenir la touche de déverrouillage enfoncée pendant plus de trois secondes. Le système ne détecte aucun dysfonctionnement potentiel de la batterie dû à une utilisation incorrecte, par ex. chute, piqûres, dommages externes dus à la chaleur, etc.

État	Signification
Toutes les DEL forment un chenillard, puis une (1) DEL est allumée en vert en continu.	L'accu peut continuer à être utilisé.
Toutes les DEL forment un chenillard, puis une (1) DEL clignote rapidement en jaune.	L'interrogation de l'état de l'accu n'a pas pu être terminée. Répéter la procédure ou s'adresser au S.A.V. Hilti .



État	Signification
Toutes les DEL forment un chenillard, puis une (1) DEL est allumée en rouge en continu.	Si un produit raccordé peut continuer à être utilisé, la capacité résiduelle de l'accu est inférieure à 50 %. Si un produit raccordé ne peut plus être utilisé, l'accu est arrivé à la fin de sa durée de vie et doit être remplacé. Merci de s'adresser au S.A.V Hilti.

4 Caractéristiques techniques

	VC 75-1-22
Poids	4,6 kg (10,1 lb)
Tension nominale (CC)	21,6 V
Courant nominal	16 A
Débit volumique maximal (air)	35 ℓ/s (9 liq. gal _{US} /s)
Débit volumique max. (extrémité du flexible)	82 m ³ /h (23 ℓ/s) (2.900 ft ³ /h (6 liq. gal _{US} /s))
Dépression max.	11 kPa (110 mbar) (2 psi (1,6 psi))

4.1 Batterie

Tension nominale de l'accu	21,6 V
Poids de l'accu	Voir à la fin de ce mode d'emploi
Température de service en cours de service	-17 °C ... 60 °C (1 °F ... 140 °F)
Température de stockage	-20 °C ... 40 °C (-4 °F ... 104 °F)
Température de l'accu au début de la charge	-10 °C ... 45 °C (14 °F ... 113 °F)

5 Préparatifs

Bien respecter les consignes de sécurité et les avertissements de la présente documentation ainsi que celles figurant sur le produit.

L'appareil ne doit être utilisé que par un personnel agréé et formé à cet effet.

5.1 Montage de l'étrier

Monter l'étrier avant la première mise en service.

- Pousser l'étrier dans le logement prévu à cet effet jusqu'à ce qu'il se bloque.



Vérifier que la fixation pour sangle d'épaule est orientée vers le haut.

5.2 Recharge de l'accu

1. Avant de commencer la charge, lire le mode d'emploi du chargeur.
2. Veiller à ce que les contacts de l'accu et du chargeur sont propres et secs.
3. Charger l'accu à l'aide d'un chargeur homologué. → Page 16



5.3 Introduction de l'accu

AVERTISSEMENT

Risque de blessures du fait d'un court-circuit ou de la chute de l'accu !

- ▶ Avant d'insérer l'accu dans l'appareil, s'assurer que les contacts de l'accu et les contacts sur le produit sont exempts de corps étrangers.
- ▶ S'assurer que l'accu s'encliquette toujours correctement.

1. L'accu doit être entièrement chargé avant la première mise en service.
2. Introduire l'accu dans le produit jusqu'à ce qu'il s'enclenche de manière audible.
3. Vérifier que l'accu est bien en place.

5.4 Retrait de l'accu

1. Appuyer sur la touche de déverrouillage de l'accu.
2. Retirer l'accu hors du produit.

5.5 Remplacement du sac filtrant

1. Arrêter l'appareil.
2. Ouvrir les deux brides de fermeture.
3. Soulever la tête aspirante de la cuve de récupération de saletés.
4. Enlever le sac filtrant et retirer le dispositif de serrage pour le sac de filtre.
5. Pousser la fixation du sac filtrant sur un nouveau sac.
6. Fixer le dispositif de serrage avec le sac filtrant sur les nervures du réservoir de salissures.
7. Mettre la tête aspirante en place sur la cuve de récupération de saletés et fermer les deux brides de fermeture.

5.6 Montage/démontage du flexible d'aspiration

1. Raccorder le flexible d'aspiration au raccord d'entrée.
 - ▶ Le flexible d'aspiration s'emboîte en faisant un déclic.
2. Pour enlever le flexible, maintenir enfoncé le bouton **EJECT**.
3. Enlever le flexible d'aspiration du raccord d'entrée.

6 Travail

AVERTISSEMENT

Risque de blessures !

- ▶ Ne pas aspirer de poussières dangereuses avec ce produit.
- ▶ N'utiliser ce produit que pour les applications sèches.

6.1 Mise en marche / arrêt de l'appareil

1. Pour mettre l'appareil en marche, tourner le commutateur dans la position **MAX**.



Pour pouvoir utiliser l'appareil longtemps avec la puissance d'aspiration réduite, mettre le commutateur dans la position **ECO**.

2. Pour arrêter l'appareil, mettre le commutateur dans la position **OFF**.

6.2 Mode soufflage



Avant d'utiliser le mode soufflage, s'assurer que le flexible est vide.
Ne pas diriger le flexible vers des personnes.

1. Pour enlever le flexible, maintenir enfoncé le bouton **EJECT**.
2. Enlever le flexible d'aspiration du raccord d'entrée.



3. Raccorder le flexible au raccord de sortie.
 - ▶ L'aspirateur est prêt à fonctionner



Pour utiliser à nouveau l'appareil en mode aspiration, rebrancher le flexible au raccord d'entrée.

6.3 Nettoyage du filtre

1. Mettre l'appareil en marche.
2. Boucher l'extrémité du flexible à la main.
3. Attendre que la dépression soit maximale.
4. Appuyer 4 à 5 fois sur le bouton **CLEAN**.
5. Arrêter l'appareil.

6.4 Après le travail

1. Mettre le commutateur dans la position : **OFF**.
2. Vider le réservoir et nettoyer l'appareil en essuyant avec un chiffon humide.
3. Fixer le flexible à la fixation du flexible.
4. Ranger les buses.
5. Déposer l'aspirateur dans un local sec de manière à empêcher toute utilisation non autorisée.
 - ▶ **ATTENTION** Ranger cet aspirateur seulement dans des locaux fermés.

7 Nettoyage et entretien



AVERTISSEMENT

Risque de blessures lorsque l'accu est inséré !

- ▶ Toujours retirer l'accu avant tous travaux de nettoyage et d'entretien !

Entretien du produit

- Éliminer avec précaution les saletés récalcitrantes.
- Le cas échéant, nettoyer soigneusement les ouïes d'aération à l'aide d'une brosse sèche et douce.
- Nettoyer le carter de l'appareil uniquement avec un chiffon légèrement humide. Ne pas utiliser de nettoyeurs à base de silicone car ceci pourrait attaquer les pièces en plastique.
- Utiliser un chiffon propre et sec pour nettoyer les contacts du produit.

Entretien des accus Li-ion

- Ne jamais utiliser un accu dont les ouïes d'aération sont bouchées. Nettoyer soigneusement les ouïes d'aération à l'aide d'une brosse sèche et douce.
- Éviter d'exposer inutilement l'accu à la poussière ou à la saleté. Ne jamais exposer l'accu à une forte humidité (par exemple en l'immergeant dans de l'eau ou en le laissant sous la pluie).
Si l'accu a été trempé, le traiter comme un accu endommagé. L'isoler dans un récipient ininflammable et s'adresser au S.A.V. **Hilti**.
- Veiller à ce que l'accu soit toujours exempt de traces de graisse et d'huile étrangères. Ne pas laisser de la poussière ou de la saleté s'accumuler inutilement sur l'accu. Nettoyer l'accu avec une brosse sèche et douce ou un chiffon propre et sec. Ne pas utiliser de nettoyeurs à base de silicone car ceci pourrait attaquer les pièces en plastique.
Ne pas toucher les contacts de l'accu et ne pas enlever la graisse appliquée en usine sur les contacts.
- Nettoyer le carter de l'appareil uniquement avec un chiffon légèrement humide. Ne pas utiliser de nettoyeurs à base de silicone car ceci pourrait attaquer les pièces en plastique.

Entretien

- Vérifier régulièrement qu'aucune pièce visible n'est endommagée et que les organes de commande sont parfaitement opérationnels.
- Ne pas utiliser le produit en cas d'endommagements et/ou de dysfonctionnements. Faire immédiatement réparer le produit par le S.A.V. **Hilti**.
- Après des travaux de nettoyage et d'entretien, vérifier si tous les équipements de protection sont bien en place et fonctionnent parfaitement.



i Pour une utilisation en toute sécurité, utiliser uniquement des pièces de rechange et consommables d'origine. Vous trouverez les pièces de rechange, consommables et accessoires autorisés par **Hilti** convenant pour votre produit dans le centre **Hilti Store** ou sous : **www.hilti.group**

7.1 Remplacement du filtre

1. Arrêter l'appareil.
2. Ouvrir les deux brides de fermeture.
3. Soulever la tête aspirante de la cuve de récupération de saletés.
4. Ouvrir le verrou tournant.
5. Enlever le filtre avec son cadre.
6. Enlever la poussière du joint d'étanchéité et du logement du cadre du filtre.
7. Placer le cadre sur un filtre neuf.
8. Placer le cadre du filtre dans sa fixation.
9. Verrouiller le cadre au moyen des fixations du filtre.
10. Mettre la tête aspirante en place sur la cuve de récupération de saletés et fermer les deux brides de fermeture.

8 Transport et stockage des outils sur accus et des accus

Transport

ATTENTION

Mise en marche inopinée lors du transport !

- ▶ Toujours retirer les accus avant de transporter les produits !
- ▶ Retirer le ou les accus.
- ▶ Ne jamais transporter les accus en vrac. Pendant le transport, les accus doivent être protégés des vibrations et chocs excessifs, isolés de tout matériau conducteur ou autre accus, pour éviter qu'ils n'entrent en contact avec d'autres pôles de batterie et qu'ils provoquent un court-circuit. **Tenir compte des prescriptions locales pour le transport d'accus.**
- ▶ Ne pas envoyer les accus par la poste. S'adresser à un service d'expédition s'il faut envoyer des accus non endommagés.
- ▶ Contrôler l'état du produit et des accus avant chaque utilisation, ainsi qu'avant et après tout transport prolongé.

Stockage

AVERTISSEMENT

Endommagement involontaire du fait d'accus défectueux ou de chute d'accu !

- ▶ Toujours retirer les accus avant de stocker les produits !
- ▶ Stocker si possible le produit et les accus dans un endroit sec et frais. Respecter les valeurs limites de température indiquées dans les caractéristiques techniques.
- ▶ Ne pas stocker les accus sur le chargeur. Retirer toujours l'accu du chargeur après la charge.
- ▶ Ne jamais stocker les accus exposés au soleil, sur des sources de chaleur ou derrière des vitres.
- ▶ Stocker le produit et les accus à l'abri des enfants et des personnes non autorisées.
- ▶ Contrôler l'état du produit et des accus avant chaque utilisation, ainsi qu'avant et après tout stockage prolongé.

9 Guide de dépannage

En cas de défaillances non énumérées dans ce tableau ou auxquelles il n'est pas possible de remédier sans aide, contacter le S.A.V. **Hilti**.

Défaillance	Causes possibles	Solution
L'accu ne s'enclenche pas avec un « clic » audible.	Ergot d'encliquetage encrassé sur la batterie.	▶ Nettoyer l'ergot d'encliquetage et encliqueter la batterie dans son logement.



Défaillance	Causes possibles	Solution
1 LED clignote en jaune.	Contrôler le code d'erreur de l'accu.	▶ Pour de plus amples informations sur les codes à LED de l'accu, voir le chapitre « Af-fichages de l'accu Li-Ion » → Page 17.
	Surchauffe du moteur.	▶ Arrêter l'appareil. ▶ Attendre 10 minutes. ▶ Éliminer les bouchons dans le filtre, la tubulure d'entrée, le flexible et le filtre de sortie. ▶ Mettre l'appareil en marche.
Puissance d'aspiration réduite.	Réservoir de salissures plein.	▶ Vider le réservoir de salissures.
	Le flexible d'aspiration ou la buse sont bouchés.	▶ Nettoyer le flexible d'aspiration et la buse.
	Le filtre est bouché	▶ Nettoyer le filtre. → Page 20
		▶ Remplacer le filtre. → Page 21
		▶ Vérifier que le filtre est bien en place.
Le flexible d'aspiration ou la buse sont endommagés.	▶ Remplacer le flexible d'aspiration ou la buse.	
Le flexible d'aspiration n'est pas emboîté.	▶ Encliqueter le flexible d'aspiration. → Page 19	
Légers chocs électriques.	Charge électrostatique.	▶ Augmenter l'humidité de l'air. ▶ Aspirer en mode ECO .

10 Recyclage



AVERTISSEMENT

Risque de blessures en cas d'élimination incorrecte ! Émanations possibles de gaz et de liquides nocives pour la santé.

- ▶ Ne pas envoyer ni expédier d'accus endommagés !
- ▶ Recouvrir les raccordements avec un matériau non conducteur pour éviter tout court-circuit.
- ▶ Éliminer les accus en veillant à ce qu'ils soient hors de la portée des enfants.
- ▶ Éliminer l'accu en le déposant auprès du **Hilti Store** local ou s'adresser à l'entreprise de collecte des déchets compétente.

Les produits **Hilti** sont fabriqués pour une grande partie en matériaux recyclables. Le recyclage présuppose un tri adéquat des matériaux. **Hilti** reprend les appareils usagés dans de nombreux pays en vue de leur recyclage. Consulter le service clients **Hilti** ou un conseiller commercial.



- ▶ Ne pas jeter les appareils électriques, électroniques et accus dans les ordures ménagères !

11 Garantie constructeur

- ▶ En cas de questions sur les conditions de garantie, veuillez vous adresser à votre partenaire **Hilti** local.

12 Informations complémentaires

Des informations complémentaires concernant l'utilisation, la technique, l'environnement et le recyclage sont disponibles sous le lien ci-dessous : qr.hilti.com/manual/?id=2284804

Ce lien figure également à la fin de la documentation sous forme de code QR.



Manual de instrucciones original

1 Información sobre la documentación

1.1 Acerca de esta documentación

- Lea detenidamente esta documentación antes de la puesta en servicio. Ello es imprescindible para un trabajo seguro y un manejo sin problemas.
- Respete las indicaciones de seguridad y las advertencias presentes en esta documentación y en el producto.
- Conserve este manual de instrucciones siempre junto con el producto y entregue el producto a otras personas siempre acompañado del manual.

1.2 Explicación de símbolos

1.2.1 Avisos

Las advertencias de seguridad advierten de peligros derivados del manejo del producto. Se utilizan las siguientes palabras de peligro:

PELIGRO

PELIGRO !

- ▶ Término utilizado para un peligro inminente que puede ocasionar lesiones graves o incluso la muerte.

ADVERTENCIA

ADVERTENCIA !

- ▶ Término utilizado para un posible peligro que puede ocasionar lesiones graves o incluso la muerte.







PRECAUCIÓN

PRECAUCIÓN !

- ▶ Término utilizado para una posible situación peligrosa que puede ocasionar lesiones o daños materiales.


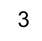


1.2.2 Símbolos en el manual de instrucciones

En este manual de instrucciones se utilizan los siguientes símbolos:

	Consulte el manual de instrucciones
	Indicaciones de uso y demás información de interés
	Manejo con materiales reutilizables
	No tire las herramientas eléctricas y las baterías junto con los desperdicios domésticos
	Hilti Batería de Ion-Litio
	Hilti Cargador

1.2.3 Símbolos en las figuras

En las figuras se utilizan los siguientes símbolos:

	Estos números hacen referencia a la figura correspondiente incluida al principio de este manual de instrucciones.
	La numeración describe el orden de los pasos de trabajo en la imagen y puede ser diferente de los pasos descritos en el texto.
	En la figura Vista general se utilizan números de posición y los números de la leyenda están explicados en el apartado Vista general del producto .
	Preste especial atención a este símbolo cuando utilice el producto.



1.3 Símbolos dependientes del producto

1.3.1 Símbolos en el producto

En el producto se pueden utilizar los siguientes símbolos:

	El producto permite la transferencia de datos inalámbrica, compatible con plataformas iOS y Android.
	Si está en el producto, significa que el organismo de certificación lo ha certificado para el mercado estadounidense y canadiense según las normas vigentes.

1.3.2 Símbolos adicionales en productos alimentados por batería

En el producto se utilizan los siguientes símbolos:

	Serie utilizada de baterías de Ion-Litio Hilti . Consulte las indicaciones recogidas en el capítulo Uso conforme a las prescripciones .
Li-Ion	Batería de Ion-Litio
	Nunca utilice la batería como herramienta de percusión.
	No deje que la batería se caiga. No utilice baterías que hayan recibido algún golpe ni que estén dañadas de alguna otra forma.

1.4 Información del producto

Los productos **HILTI** han sido diseñados para usuarios profesionales y solo personal autorizado y debidamente formado puede utilizarlos y llevar a cabo su mantenimiento y conservación. Este personal debe estar especialmente instruido en lo referente a los riesgos de uso. La utilización del producto y sus dispositivos auxiliares puede conllevar riesgos para el usuario en caso de manejarse de forma inadecuada por personal no cualificado o utilizarse para usos diferentes a los que están destinados.

La denominación del modelo y el número de serie están indicados en la placa de identificación.

- ▶ Escriba el número de serie en la siguiente tabla. Necesitará los datos del producto para realizar consultas a nuestros representantes o al Departamento de Servicio Técnico.

Datos del producto

Aspirador en seco	VC 75-1-22
Generación	02
N.º de serie	

2 Seguridad

2.1 Indicaciones de seguridad importantes

¡ADVERTENCIA! LEA ÍNTEGRAMENTE ESTAS INSTRUCCIONES. En caso de no atenerse a las instrucciones de seguridad que se describen a continuación, podría provocarse una descarga eléctrica, incendio o lesiones graves. GUARDE ESTAS INSTRUCCIONES EN UN LUGAR SEGURO.

2.2 Indicaciones generales de seguridad para herramientas eléctricas

- ▶ No deben utilizar este producto personas (especialmente niños) con discapacidades o minusvalías físicas, sensoriales o intelectuales, ni aquellas que carezcan de la experiencia y/o los conocimientos necesarios.
- ▶ El producto solo debe ser utilizado por personas que estén familiarizadas con él, que hayan sido informadas acerca del uso seguro de la herramienta y que entiendan los riesgos que comporta. El producto no es apto para el uso por parte de niños.
- ▶ Los niños no deben jugar con el producto. La limpieza y el mantenimiento no deben llevarlos a cabo los niños a menos que estén supervisados.
- ▶ No aspire polvo peligroso para la salud, inflamable o explosivo (polvo de magnesio-aluminio, entre otros). No se deben aspirar materiales que estén a más de 60 °C (p. ej., cigarrillos encendidos, cenizas calientes). Compruebe la clase de polvo antes de iniciar el trabajo. Respete las directivas locales.
- ▶ No utilice el producto en superficies húmedas.
- ▶ No use agua, lubricantes, grasas o detergentes.



- ▶ No utilice gasolina ni otros líquidos inflamables para efectuar trabajos de limpieza.
- ▶ No cubra ninguna abertura de la carcasa. No utilice el producto con las aberturas de la carcasa cubiertas. Mantenga las aberturas de la carcasa libres de polvo, pelusas, pelo o cualquier otro material que pudiera reducir el caudal de aire.
- ▶ Tenga especial cuidado al trabajar sobre escaleras.
- ▶ Desconecte el producto antes de extraer la batería.
- ▶ Retire la batería antes de efectuar cualquier ajuste en la herramienta, cambiar accesorios o en caso de no utilizar el producto durante un tiempo prolongado. Esta medida preventiva evita el riesgo de arranque accidental del producto.
- ▶ Si no utiliza la batería, guárdela separada de clips, monedas, llaves, clavos, tornillos o demás objetos metálicos que pudieran puentear sus contactos. El cortocircuito de los contactos puede causar quemaduras o incendios.
- ▶ Cargue las baterías únicamente con los cargadores recomendados por el fabricante. Existe riesgo de incendio al intentar cargar baterías de un tipo diferente al previsto para el cargador.
- ▶ Preste atención a su postura cuando levante o transporte el producto. Evite levantar y cargar cargas pesadas.

2.3 Indicaciones de seguridad adicionales del aspirador

Seguridad en el puesto de trabajo

- ▶ Mantenga alejados a los niños y otras personas de su puesto de trabajo al emplear la herramienta eléctrica. Una distracción le puede hacer perder el control sobre la herramienta.
- ▶ Procure mantener una postura correcta cuando levante o transporte la herramienta eléctrica.

Seguridad eléctrica

- ▶ Evite el contacto corporal con superficies que tengan puesta a tierra, como pueden ser tubos, calefacciones, cocinas y frigoríficos. El riesgo a quedar expuesto a una descarga eléctrica es mayor si su cuerpo tiene contacto con tierra.
- ▶ No exponga el aspirador de polvo a la lluvia y evite que penetren líquidos en su interior. La penetración de agua en el aspirador de polvo aumenta el riesgo de descarga eléctrica.

Seguridad de las personas

- ▶ Permanezca atento, preste atención durante el trabajo y utilice la herramienta eléctrica con prudencia. No utilice una herramienta eléctrica si está cansado, ni tampoco después de haber consumido alcohol, drogas o medicamentos. Un momento de descuido al utilizar la herramienta eléctrica podría producir graves lesiones.
- ▶ Utilice el equipo de seguridad personal adecuado y lleve siempre gafas protectoras. El riesgo de lesiones se reduce considerablemente si, según el tipo y la aplicación de la herramienta eléctrica empleada, se utiliza un equipo de seguridad personal adecuado como una mascarilla antipolvo, calzado de seguridad con suela antideslizante, casco de protección o protección para los oídos.
- ▶ No utilice el aspirador en un entorno en el que haya demasiado polvo.
- ▶ No apunte a ninguna persona con la manguera.
- ▶ La utilización inadecuada de la batería puede provocar fugas de líquido. Evite el contacto con este líquido. El líquido de la batería puede irritar la piel o producir quemaduras. En caso de contacto, enjuague el área afectada con abundante agua. En caso de contacto con los ojos, aclárelos con agua abundante y consulte de inmediato a su médico.

Uso y manejo de la herramienta eléctrica

- ▶ Guarde las herramientas eléctricas que no utilice fuera del alcance de los niños. No permita utilizar la herramienta a ninguna persona que no esté familiarizada con ella o no haya leído este manual de instrucciones. Las herramientas eléctricas utilizadas por personas inexpertas son peligrosas.
- ▶ Cuide su herramienta eléctrica adecuadamente. Compruebe si las piezas móviles de la herramienta funcionan correctamente y sin atascarse, y si existen piezas rotas o deterioradas que pudieran afectar al funcionamiento de la herramienta eléctrica. Encargue la reparación de las piezas defectuosas antes de usar la herramienta eléctrica. Muchos accidentes son consecuencia de un mantenimiento inadecuado de la herramienta eléctrica.
- ▶ Utilice la herramienta eléctrica, los accesorios, útiles de inserción, etc., de acuerdo con estas instrucciones. Para ello, tenga en cuenta las condiciones de trabajo y la tarea que se va a realizar. El uso de herramientas eléctricas para trabajos diferentes de aquellos para los que han sido concebidas puede resultar peligroso.
- ▶ Utilice la herramienta adecuada. No utilice la herramienta para fines no previstos, sino únicamente de forma reglamentaria y en perfecto estado.
- ▶ No utilice el aspirador como extractor de polvo, en combinación con dispositivos eléctricos.



- ▶ Utilice el aspirador únicamente con el filtro insertado.
- ▶ Evite que la herramienta se ponga en marcha accidentalmente. Desconecte la herramienta antes de levantarla, transportarla o insertar la batería. No transporte la herramienta con el dedo apoyado en el interruptor de conexión y desconexión. Debe extraer la batería de la herramienta cuando no la vaya utilizar (durante una pausa, antes de realizar un trabajo de mantenimiento, al cambiar de útiles o durante el transporte).
- ▶ No se siente ni permanezca de pie sobre la herramienta.
- ▶ No utilice el aspirador como pulverizador de líquidos inflamables.

Servicio Técnico

- ▶ Solicite que un profesional lleve a cabo la reparación de su herramienta eléctrica y que utilice exclusivamente piezas de repuesto originales. Solamente así se garantiza la seguridad de la herramienta eléctrica.

2.4 Manipulación y utilización segura de las baterías

- ▶ **Tenga en cuenta las siguientes indicaciones de seguridad para el manejo y el uso seguros de las baterías de Ion-Litio.** En caso de no respetarlas, puede llevar a irritación de la piel, lesiones corrosivas graves, quemaduras químicas, fuego o explosiones.
- ▶ Utilice las baterías solo si están en perfecto estado técnico.
- ▶ Manipule las baterías con cuidado a fin de evitar daños o escapes de líquido altamente peligroso para su salud.
- ▶ Las baterías no deben modificarse ni manipularse en ningún caso.
- ▶ Las baterías no se deben destruir, comprimir, calentar por encima de 80 °C (176 °F) o quemar.
- ▶ No utilice ni cargue baterías que hayan recibido algún golpe ni que estén dañadas de alguna otra forma. Compruebe con regularidad si las baterías presentan signos de daños.
- ▶ No utilice nunca baterías recicladas o reparadas.
- ▶ Nunca utilice la batería o una herramienta eléctrica de batería como herramienta de percusión.
- ▶ No exponga nunca las baterías a radiación solar directa, temperaturas elevadas, chispas o llamas abiertas. Esto puede provocar explosiones.
- ▶ No toque los polos de la batería con los dedos, con herramientas, con joyas o con otros objetos conductores de la electricidad. Esto puede dañar la batería y provocar otros daños materiales y lesiones.
- ▶ Mantenga las baterías alejadas de la lluvia, la humedad y los líquidos. Si entra humedad, pueden producirse cortocircuitos, descargas eléctricas, quemaduras, incendios y explosiones.
- ▶ Utilice únicamente cargadores y herramientas eléctricas concebidos para este tipo de baterías. Para ello, consulte las indicaciones recogidas en el manual de instrucciones correspondiente.
- ▶ No utilice ni almacene la batería en entornos con peligro de explosión.
- ▶ Si al tocar la batería detecta que está muy caliente, puede deberse a una avería en la misma. Coloque la batería en un lugar visible, no inflamable, a suficiente distancia de otros materiales inflamables. Deje que la batería se enfríe. Si, después de una hora, la herramienta sigue estando demasiado caliente para tocarla significa que está averiada. Diríjase al Servicio Técnico de **Hilti** o lea el documento «Indicaciones de seguridad y uso de las baterías de Ion-Litio de **Hilti**».



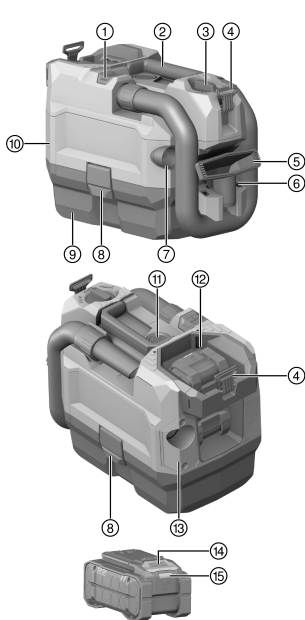
Tenga en cuenta las directivas especiales aplicables al transporte, almacenamiento y uso de las baterías de Ion-Litio. → página 32

Lea las instrucciones de seguridad y uso de las baterías de Ion-Litio de **Hilti**, que puede encontrar escaneando el código QR que se encuentra al final de estas instrucciones de uso.



3 Descripción

3.1 Vista general del producto 1



- ① Tecla **EJECT** para manguera
- ② Empuñadura
- ③ Interruptor de la herramienta
- ④ Soporte para correa de hombro
- ⑤ Boquilla manual
- ⑥ Manguera
- ⑦ Boquilla para juntas
- ⑧ Pinza de cierre
- ⑨ Depósito de suciedad
- ⑩ Cabezal de aspiración
- ⑪ Tecla **CLEAN** para limpieza de filtro
- ⑫ Compartimento para pilas
- ⑬ Filtro de aire de escape

3.2 Uso conforme a las prescripciones

El producto descrito es un aspirador de polvo a batería concebido para el uso industrial, como, p. ej., en hoteles, escuelas, hospitales, fábricas, tiendas, oficinas o establecimientos de alquiler. Se puede usar únicamente para aplicaciones en seco.

Este producto no es apto para la aplicación **Hilti SafeSet**.

- Para este producto utilice únicamente baterías Li-Ion de la serie B 22 de **Hilti Nuron**. Para garantizar que este producto ofrece un rendimiento óptimo, **Hilti** recomienda utilizar las baterías indicadas en la tabla que encontrará al final de este manual de instrucciones.
- Para estas baterías utilice exclusivamente los cargadores **Hilti** de las series indicadas en la tabla que encontrará al final de este manual de instrucciones.

3.3 Suministro

Aspirador en seco, incluidos elemento de filtro, manguera de aspiración completa, boquilla manual, boquilla para juntas, correa de hombro, estribo con soporte para correa de hombro y manual de instrucciones.

Encontrará otros productos del sistema autorizados para su producto en su **Hilti Store** o en Internet, en: www.hilti.group

3.4 Interruptor de la herramienta

Estado	Significado
ECO	Modo de ahorro de energía
MAX	Conexión
OFF	Desconexión



3.5 Indicador de sobrecarga y sobrecalentamiento

La herramienta está equipada con una protección electrónica contra sobrecarga y una protección contra sobrecalentamiento. En caso de sobrecarga o sobrecalentamiento, la herramienta se desconecta automáticamente. Si la herramienta se desconecta mediante el interruptor y se vuelve a conectar, pueden producirse retardos en la conexión (fases de enfriamiento de la herramienta).

3.6 Mostrar la batería Ion-Litio

Las baterías de Ion-Litio de **Hilti** Nuron pueden mostrar el estado de carga, los mensajes de error y el estado de la batería.

3.6.1 Visualización del estado de carga y de los mensajes de error

ADVERTENCIA

Riesgo de lesiones por la caída de la batería

- ▶ Con la batería colocada, asegúrese tras pulsar la tecla de desbloqueo de que la batería vuelva a encajar correctamente en el producto empleado.

Para recibir una de las siguientes indicaciones, pulse brevemente la tecla de desbloqueo de la batería. El estado de carga y las posibles averías también se muestran de forma permanente mientras el producto esté conectado.

Estado	Significado
Cuatro (4) LED encendidos permanentemente en verde	Estado de carga: 100 % a 71 %
Tres (3) LED encendidos permanentemente en verde	Estado de carga: 70 % a 51 %
Dos (2) LED se iluminan permanentemente en verde	Estado de carga: 50 % a 26 %
Un (1) LED está encendido permanentemente en verde	Estado de carga: 25 % a 10 %
Un (1) LED parpadea lentamente en verde	Estado de carga: < 10 %
Un (1) LED parpadea rápidamente en verde	La batería Ion-Litio está totalmente descargada. Cargue la batería. Si tras cargar la batería el LED sigue parpadeando rápidamente, diríjase al Servicio Técnico de Hilti .
Un (1) LED parpadea rápidamente en amarillo	La batería Ion-Litio o el producto conectado a ella están sobrecargados, demasiado calientes, demasiado fríos o existe otro error. Ponga el producto y la batería en la temperatura de trabajo recomendada y no sobrecargue el producto durante su uso. Si sigue viendo el mensaje, diríjase al Servicio Técnico de Hilti .
Un (1) LED está encendido en amarillo	La batería Ion-Litio y el producto conectado a ella no son compatibles. Diríjase al servicio técnico de Hilti .
Un (1) LED parpadea rápidamente en rojo	La batería Ion-Litio está bloqueada y no puede seguir utilizándose. Diríjase al servicio técnico de Hilti .

3.6.2 Visualización del estado de la batería

Para consultar el estado de la batería, mantenga la tecla de desbloqueo pulsada durante más de tres segundos. El sistema no detecta un posible funcionamiento incorrecto de la batería debido a un mal uso, como caídas, hendiduras, daños por calor externo, etc.



Estado	Significado
Todos los LED se encienden como luz en movimiento y, a continuación, se enciende un (1) LED permanentemente en verde.	La batería puede seguir utilizándose.
Todos los LED se encienden como luz en movimiento y, a continuación, parpadea un (1) LED rápidamente en amarillo.	No se ha podido completar la consulta sobre el estado de la batería. Repita la operación o diríjase al Servicio Técnico de Hilti .
Todos los LED se encienden como luz en movimiento y, a continuación, parpadea un (1) LED permanentemente en rojo.	<p>Cuando un producto conectado puede seguir utilizándose, la capacidad restante de la batería es inferior al 50 %.</p> <p>Cuando un producto conectado ya no puede seguir utilizándose, la batería ha llegado al final de su vida útil y debe ser sustituida. Diríjase al servicio técnico de Hilti.</p>

4 Datos técnicos

	VC 75-1-22
Peso	4,6 kg (10,1 lb)
Tensión nominal (DC)	21,6 V
Intensidad nominal	16 A
Flujo volumétrico máximo (aire)	35 ℓ/s (9 liq. gal _{US} /s)
Flujo volumétrico máx. (extremo de la manguera)	82 m ³ /h (23 ℓ/s) (2.900 ft ³ /h (6 liq. gal _{US} /s))
Depresión máx.	11 kPa (110 mbar) (2 psi (1,6 psi))

4.1 Batería

Tensión de servicio de la batería	21,6 V
Peso batería	Véase al final del manual de instrucciones
Temperatura ambiente en funcionamiento	-17 °C ... 60 °C (1 °F ... 140 °F)
Temperatura de almacenamiento	-20 °C ... 40 °C (-4 °F ... 104 °F)
Temperatura de la batería al comenzar la carga	-10 °C ... 45 °C (14 °F ... 113 °F)

5 Preparación del trabajo

Respete las indicaciones de seguridad y las advertencias presentes en esta documentación y en el producto. La herramienta solo debe ser manejada por personal autorizado e instruido.

5.1 Montaje del estribo

Monte el estribo antes de la primera puesta en servicio.

- ▶ Introduzca el estribo en las capturas previstas hasta que el estribo quede bloqueado.



Asegúrese de que el soporte de la correa de hombro quede orientado hacia arriba.



5.2 Carga de la batería

1. Antes de cargarla, lea el manual de instrucciones del cargador.
2. Asegúrese de que los contactos de la batería y del cargador estén limpios y secos.
3. Cargue la batería en un cargador autorizado. → página 27

5.3 Colocación de la batería

ADVERTENCIA

Riesgo de lesiones por cortocircuito o caída de la batería.

- ▶ Antes de insertar la batería, asegúrese de que los contactos de la batería y del producto estén libres de cuerpos extraños.
- ▶ Asegúrese de que la batería encaje siempre correctamente.

1. Cargue por completo la batería antes de la primera puesta en servicio.
2. Introduzca la batería en el producto hasta que encaje de forma audible.
3. Compruebe que la batería está bien colocada.

5.4 Extracción de la batería

1. Pulse la tecla de desbloqueo de la batería.
2. Retire la batería del producto.

5.5 Cambio de la bolsa del filtro

1. Apague la herramienta.
2. Abra las dos pinzas de cierre.
3. Separe el cabezal de aspiración del depósito de suciedad.
4. Retire la bolsa del filtro y extraiga su soporte.
5. Deslice el soporte de la bolsa del filtro en una nueva bolsa del filtro.
6. Fije el soporte con la bolsa del filtro a las correas del depósito de suciedad.
7. Coloque el cabezal de aspiración en el depósito de suciedad y cierre las dos pinzas de cierre.

5.6 Montaje/extracción de la manguera de aspiración

1. Conecte la manguera de aspiración a la pieza de empalme de entrada de la manguera de aspiración.
 - ▶ La manguera de aspiración encaja de forma audible.
2. Para extraer la manguera de aspiración, mantenga pulsado el botón **EJECT**.
3. Extraiga la manguera de aspiración de la pieza de empalme de entrada de la manguera de aspiración.


6 Procedimiento de trabajo

ADVERTENCIA


Riesgo de lesiones !

- ▶ Con este producto no se debe aspirar ningún tipo de polvo peligroso.
- ▶ Utilice este producto solo para aplicaciones en seco.

6.1 Conexión y desconexión del equipo

1. Para conectar la herramienta, gire el interruptor de la herramienta hasta esta posición: **MAX**.
 Para aumentar el tiempo de funcionamiento con un menor rendimiento de aspiración, gire el interruptor de la herramienta hasta esta posición: **ECO**.
2. Para desconectar la herramienta, sitúe el interruptor de la herramienta en esta posición: **OFF**.

6.2 Función de soplado

-  Antes de utilizar la función de soplado, asegúrese de que la manguera está vacía.
No apunte a ninguna persona con la manguera.



1. Para extraer la manguera de aspiración, mantenga pulsado el botón **EJECT**.
2. Extraiga la manguera de aspiración de la pieza de empalme de entrada de la manguera de aspiración.
3. Conecte la manguera a la pieza de empalme de salida.
 - ▶ El aspirador está listo para funcionar



Para utilizar la función de aspiración, vuelva a conectar la manguera a la pieza de empalme de entrada.

6.3 Limpieza del filtro

1. Encienda la herramienta.
2. Cierre el extremo de la manguera con la mano.
3. Espere hasta que se haya generado la presión negativa máxima.
4. Pulse el botón **CLEAN** de 4 a 5 veces.
5. Apague la herramienta.

6.4 Después de aspirar

1. Gire el interruptor de la herramienta hasta esta posición: **OFF**.
2. Vacíe el depósito y limpie la herramienta con un paño húmedo.
3. Fije la manguera en el soporte de la manguera.
4. Guarde las boquillas.
5. Guarde el aspirador en un lugar seco y protegido frente a posibles usos no autorizados.
 - ▶ **ADVERTENCIA:** Este aspirador debe guardarse únicamente en espacios cerrados.

7 Cuidado y mantenimiento



ADVERTENCIA

Riesgo de lesiones con la batería colocada !

- ▶ Extraiga siempre la batería antes de llevar a cabo tareas de cuidado y mantenimiento.

Cuidado del producto

- Elimine con precaución la suciedad fuertemente adherida.
- Las rejillas de ventilación, si las hay, deben limpiarse con cuidadosamente con un cepillo seco y suave.
- Limpie la carcasa solo con un paño ligeramente humedecido. No utilice productos de limpieza que contengan silicona, ya que podrían dañar las piezas de plástico.
- Utilice un paño limpio y seco para limpiar los contactos del producto.

Cuidado de las baterías de Ion-Litio

- No utilice nunca una batería con las rejillas de ventilación obstruidas. Limpie cuidadosamente las rejillas de ventilación con un cepillo seco y suave.
- Evite la exposición innecesaria de la batería al polvo o la suciedad. No esponga nunca la batería a altos niveles de humedad (por ejemplo, sumergiéndola en agua o dejándola bajo la lluvia). Si penetra agua en la batería, trátela como una batería dañada. Aíslela en un recipiente no inflamable y póngase en contacto con el Servicio Técnico de **Hilti**.
- Mantenga la batería limpia de aceite o grasa. No permita la acumulación innecesaria de polvo o suciedad en la batería. Limpie la batería con un cepillo seco y suave o con un paño limpio y seco. No utilice productos de limpieza que contengan silicona, ya que podrían dañar las piezas de plástico. No toque los contactos de la batería y no elimine de los contactos la grasa aplicada de fábrica.
- Limpie la carcasa solo con un paño ligeramente humedecido. No utilice productos de limpieza que contengan silicona, ya que podrían dañar las piezas de plástico.

Mantenimiento

- Compruebe con regularidad que las piezas visibles no estén dañadas y los elementos de manejo funcionen correctamente.
- No utilice el producto si presenta daños o fallos que afecten al funcionamiento. Encargue inmediatamente la reparación del producto al Servicio Técnico de **Hilti**.
- Tras las tareas de cuidado y mantenimiento, coloque todos los dispositivos de protección y asegúrese de que funcionen correctamente.





Para garantizar un correcto funcionamiento, utilice exclusivamente piezas de repuesto y consumibles originales. Las piezas de repuesto, los consumibles y los accesorios autorizados por **Hilti** se pueden consultar en su **Hilti Store** o en: www.hilti.group

7.1 Cambio del filtro

1. Apague la herramienta.
2. Abra las dos pinzas de cierre.
3. Separe el cabezal de aspiración del depósito de suciedad.
4. Abra el bloqueo giratorio.
5. Extraiga el filtro con el marco.
6. Retire el polvo de la junta y del alojamiento del marco del filtro.
7. Coloque el marco en un nuevo filtro.
8. Coloque el marco del filtro en el soporte para el marco.
9. Bloquee el marco del filtro con las fijaciones.
10. Coloque el cabezal de aspiración en el depósito de suciedad y cierre las dos pinzas de cierre.

8 Transporte y almacenamiento de las baterías y sus herramientas

Transporte



PRECAUCIÓN

Arranque involuntario en el transporte !

- ▶ Transporte sus productos siempre sin batería.
- ▶ Extraiga la(s) batería(s).
- ▶ Nunca transporte las baterías sin embalaje. Durante el transporte, las baterías deben estar protegidas frente a vibraciones y golpes excesivos y aisladas de todo material conductor y de otras baterías para que no entren en contacto con los polos de otras baterías y causen un cortocircuito. **Tenga en cuenta las normativas locales sobre el transporte de baterías.**
- ▶ Las baterías no deben enviarse por correo. Diríjase a una empresa de transporte si quiere enviar baterías no dañadas.
- ▶ Compruebe si el producto o las baterías están dañados antes de cada uso y antes y después de un transporte prolongado.

Almacenamiento



ADVERTENCIA

Daños imprevistos debido a una batería defectuosa o agotada !

- ▶ Guarde su productos siempre sin batería.
- ▶ Guarde el producto y las baterías en un lugar fresco y seco. Tenga en cuenta los valores límite de temperatura que figuran en los datos técnicos.
- ▶ No almacene las baterías en el cargador. Extraiga siempre la batería del cargador después del proceso de carga.
- ▶ No guarde nunca las baterías en un lugar expuesto al sol, a fuentes de calor o detrás de un cristal.
- ▶ Guarde el producto y las baterías fuera del alcance de niños y personas no autorizadas.
- ▶ Compruebe si el producto o las baterías están dañados antes de cada uso y antes y después de un almacenamiento prolongado.

9 Localización de averías

Si se producen averías que no estén incluidas en esta tabla o que no pueda solucionar usted, diríjase al Servicio Técnico de **Hilti**.

Anomalía	Posible causa	Solución
La batería no se enclava con un «clic» audible.	Suciedad en la lengüeta de la batería.	▶ Limpie la lengüeta y encaje la batería.



Anomalia	Posible causa	Solución
1 LED parpadea en amarillo.	Compruebe el código de avería de la batería.	► Para más información sobre los códigos LED de la batería, consulte el capítulo «Indicaciones de la batería de Ion-Litio» → página 28.
	Motor sobrecalentado.	► Apague la herramienta. ► Espere 10 minutos. ► Retire la suciedad del filtro, de la boquilla de entrada, de la manguera y del filtro de salida. ► Encienda la herramienta.
Rendimiento de aspiración reducido.	Depósito de suciedad lleno.	► Vacíe el depósito de suciedad.
	La manguera de aspiración o la boquilla están obstruidos.	► Limpie la manguera de aspiración y la boquilla.
	El filtro está obstruido	► Limpie el filtro. → página 31
		► Cambie el filtro. → página 32
		► Compruebe la correcta colocación del filtro.
La manguera de aspiración o la boquilla presentan daños.	► Sustituya la manguera de aspiración o la boquilla.	
La manguera de aspiración no está bien encajada.	► Encaje la manguera de aspiración. → página 30	
Descargas eléctricas leves.	Carga electrostática.	► Aumente la humedad.
		► Aspire en modo ECO .

10 Reciclaje



ADVERTENCIA

Riesgo de lesiones por un reciclaje indebido. Riesgo para la salud debido a escapes de gases o líquidos.

- No envíe baterías dañadas bajo ningún concepto.
- Cubra las conexiones con un material no conductor para evitar cortocircuitos.
- Deshágase de las baterías de tal forma que no terminen en manos de niños.
- Elimine la batería en su **Hilti Store** o diríjase a su empresa de desechos.



Los productos **Hilti** están fabricados en su mayor parte con materiales reutilizables. La condición para dicha reutilización es una separación adecuada de los materiales. En muchos países, **Hilti** recoge las herramientas usadas para su recuperación. Pregunte al Servicio de Atención al Cliente de **Hilti** o a su asesor de ventas.



- No deseche las herramientas eléctricas, los aparatos eléctricos ni las baterías junto con los residuos domésticos.

11 Garantía del fabricante

- Si tiene alguna consulta acerca de las condiciones de la garantía, póngase en contacto con su sucursal local de **Hilti**.

12 Más información

Encontrará información adicional sobre manejo, técnica, medio ambiente y reciclaje en el siguiente enlace: qr.hilti.com/manual/?id=2284804

Encontrará este enlace también al final de la documentación con código QR.







 **NURON**

B 22-55 (01)	2.50 Ah	0,56 kg	1.23 lb
B 22-85 (01)	3.95 Ah	0,77 kg	1.70 lb
B 22-110 (01)	5.10 Ah	0,92 kg	2.03 lb
B 22-170 (01)	7.90 Ah	1,34 kg	2.95 lb
B 22-255 (01)	11.85 Ah	1,87 kg	4.12 lb



C 4-22
C 6-22
C 8-22



Hilti Corporation
LI-9494 Schaan
Tel.:+423 234 21 11
Fax:+423 234 29 65
www.hilti.group



2284804