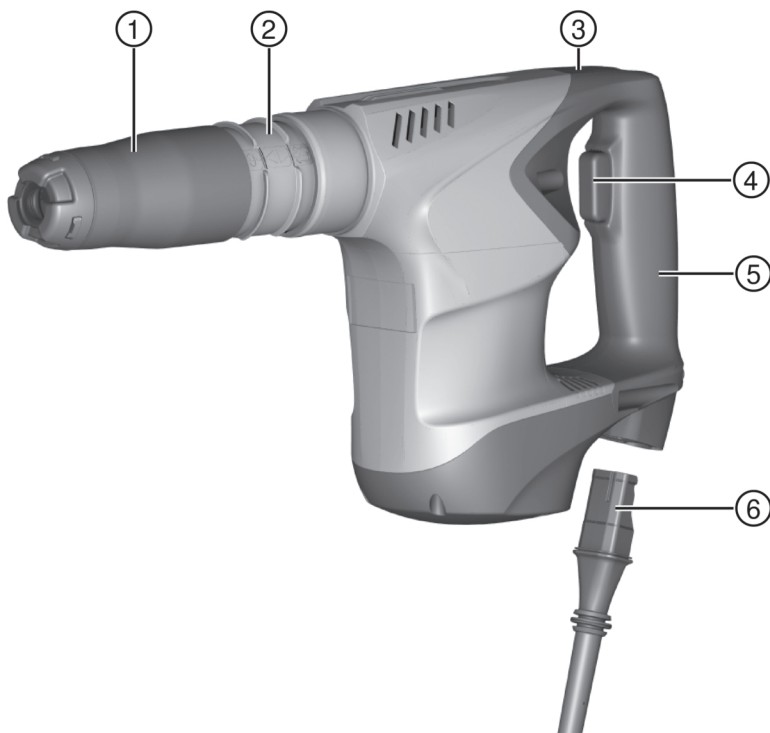


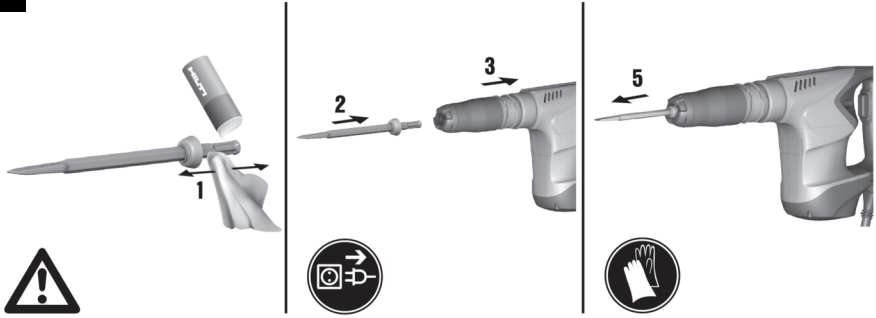


TE 500

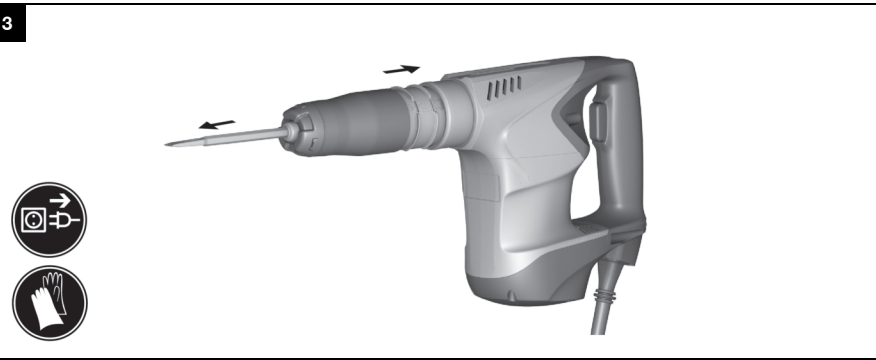
English	1
Eesti	9
Latviešu	18
Lietuvių	27
Česky	36
Slovenčina	44
Magyar	53
Русский	62
Українська	72
Қазақ	81
Türkçe	91
عربي	100



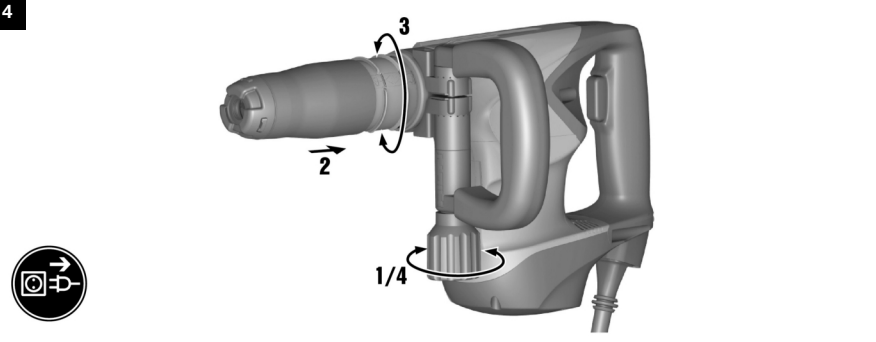
2



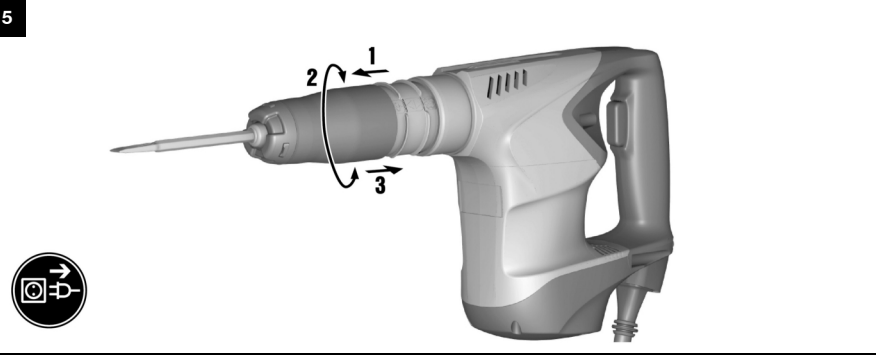
3



4



5



Original operating instructions

1 Information about the operating instructions

1.1 About these operating instructions

- Read these operating instructions before the product is used or operated for the first time. This is a prerequisite for safe, trouble-free handling and use of the product.
- Observe the safety instructions and warnings in these operating instructions and on the product.
- Always keep the operating instructions with the product and make sure that the product is accompanied by these operating instructions only, when the product is given to other persons.

1.2 Explanation of symbols

1.2.1 Warnings

Warnings alert persons to hazards that occur when handling or using the product. The following signal words are used:

DANGER

DANGER !

- ▶ Draws attention to imminent danger that will lead to serious personal injury or fatality.

WARNING

WARNING !

- ▶ Draws attention to a potential threat of danger that can lead to serious injury or fatality.





CAUTION

CAUTION !

- ▶ Draws attention to a potentially dangerous situation that could lead to personal injury or damage to the equipment or other property.




1.2.2 Symbols in the operating instructions

The following symbols are used in these operating instructions:

	Comply with the operating instructions
	Instructions for use and other useful information
	Dealing with recyclable materials
	Do not dispose of electric equipment and batteries as household waste

1.2.3 Symbols in illustrations

The following symbols are used in illustrations:

	These numbers refer to the illustrations at the beginning of these operating instructions.
3	The numbers in illustrations refer to important work steps or to components important for the work steps. In the text, the corresponding numbers draw attention to these work steps or components, e.g. (3) .
	Item reference numbers are used in the overview illustration and refer to the numbers used in the key in the product overview section.
	This symbol is intended to draw your special attention to certain points for handling the product.



1.3 Product-dependent symbols

1.3.1 Symbols on the product

The following symbols can be used on the product:



The power tool supports near-field communication (NFC) technology, which is compatible with iOS and Android platforms.

1.4 Product information

products are designed for professional users and only trained, authorized personnel are permitted to operate, service and maintain the products. This personnel must be specifically informed about the possible hazards. The product and its ancillary equipment can present hazards if used incorrectly by untrained personnel or if used not in accordance with the intended use.

The type designation and serial number are printed on the rating plate.

- ▶ Write down the serial number in the table below. You will be required to state the product details when contacting Hilti Service or your local Hilti organization to inquire about the product.

Product information

Breaker	TE 500
Generation	03
Serial no.	

1.5 Declaration of conformity

We declare, on our sole responsibility, that the product described here complies with the applicable directives and standards. A copy of the declaration of conformity can be found at the end of this documentation.

The technical documentation is filed here:

Hilti Entwicklungsgesellschaft mbH | Tool Certification | Hiltistrasse 6 | 86916 Kaufering, Germany

2 Safety

2.1 General power tool safety warnings

⚠ WARNING Read all safety warnings, instructions, illustrations and specifications provided with this power tool. Failure to follow all instructions listed below may result in electric shock, fire and/or serious injury. **Save all warnings and instructions for future reference.**

The term "power tool" in the warnings refers to your mains-operated (corded) power tool or battery-operated (cordless) power tool.

Work area safety

- ▶ **Keep work area clean and well lit.** Cluttered or dark areas invite accidents.
- ▶ **Do not operate power tools in explosive atmospheres, such as in the presence of flammable liquids, gases or dust.** Power tools create sparks which may ignite the dust or fumes.
- ▶ **Keep children and bystanders away while operating a power tool.** Distractions can cause you to lose control.

Electrical safety

- ▶ **Power tool plugs must match the outlet. Never modify the plug in any way. Do not use any adapter plugs with earthed (grounded) power tools.** Unmodified plugs and matching outlets will reduce risk of electric shock.
- ▶ **Avoid body contact with earthed or grounded surfaces, such as pipes, radiators, ranges and refrigerators.** There is an increased risk of electric shock if your body is earthed or grounded.
- ▶ **Do not expose power tools to rain or wet conditions.** Water entering a power tool will increase the risk of electric shock.
- ▶ **Do not abuse the cord. Never use the cord for carrying, pulling or unplugging the power tool. Keep cord away from heat, oil, sharp edges or moving parts.** Damaged or entangled cords increase the risk of electric shock.
- ▶ **When operating a power tool outdoors, use an extension cord suitable for outdoor use.** Use of a cord suitable for outdoor use reduces the risk of electric shock.
- ▶ **If operating a power tool in a damp location is unavoidable, use a residual current device (RCD) protected supply.** Use of an RCD reduces the risk of electric shock.



Personal safety

- ▶ **Stay alert, watch what you are doing and use common sense when operating a power tool. Do not use a power tool while you are tired or under the influence of drugs, alcohol or medication.** A moment of inattention while operating power tools may result in serious personal injury.
- ▶ **Use personal protective equipment. Always wear eye protection.** Protective equipment such as a dust mask, non-skid safety shoes, hard hat or hearing protection used for appropriate conditions will reduce personal injuries.
- ▶ **Prevent unintentional starting. Ensure the switch is in the off-position before connecting to power source and/or battery pack, picking up or carrying the tool.** Carrying power tools with your finger on the switch or energising power tools that have the switch on invites accidents.
- ▶ **Remove any adjusting key or wrench before turning the power tool on.** A wrench or a key left attached to a rotating part of the power tool may result in personal injury.
- ▶ **Do not overreach. Keep proper footing and balance at all times.** This enables better control of the power tool in unexpected situations.
- ▶ **Dress properly. Do not wear loose clothing or jewellery. Keep your hair and clothing away from moving parts.** Loose clothes, jewellery or long hair can be caught in moving parts.
- ▶ **If devices are provided for the connection of dust extraction and collection facilities, ensure these are connected and properly used.** Use of dust collection can reduce dust-related hazards.
- ▶ **Do not let familiarity gained from frequent use of tools allow you to become complacent and ignore tool safety principles.** A careless action can cause severe injury within a fraction of a second.

Power tool use and care

- ▶ **Do not force the power tool. Use the correct power tool for your application.** The correct power tool will do the job better and safer at the rate for which it was designed.
- ▶ **Do not use the power tool if the switch does not turn it on and off.** Any power tool that cannot be controlled with the switch is dangerous and must be repaired.
- ▶ **Disconnect the plug from the power source and/or remove the battery pack, if detachable, from the power tool before making any adjustments, changing accessories, or storing power tools.** Such preventive safety measures reduce the risk of starting the power tool accidentally.
- ▶ **Store idle power tools out of the reach of children and do not allow persons unfamiliar with the power tool or these instructions to operate the power tool.** Power tools are dangerous in the hands of untrained users.
- ▶ **Maintain power tools and accessories. Check for misalignment or binding of moving parts, breakage of parts and any other condition that may affect the power tool's operation. If damaged, have the power tool repaired before use.** Many accidents are caused by poorly maintained power tools.
- ▶ **Keep cutting tools sharp and clean.** Properly maintained cutting tools with sharp cutting edges are less likely to bind and are easier to control.
- ▶ **Use the power tool, accessories and tool bits etc. in accordance with these instructions, taking into account the working conditions and the work to be performed.** Use of the power tool for operations different from those intended could result in a hazardous situation.
- ▶ **Keep handles and grasping surfaces dry, clean and free from oil and grease.** Slippery handles and grasping surfaces do not allow for safe handling and control of the tool in unexpected situations.

Service

- ▶ **Have your power tool serviced by a qualified repair person using only identical replacement parts.** This will ensure that the safety of the power tool is maintained.

2.2 Hammer safety warnings

Safety instructions for all operations

- ▶ **Wear ear protectors.** Exposure to noise can cause hearing loss.
- ▶ **Use auxiliary handle(s), if supplied with the tool.** Loss of control can cause personal injury.
- ▶ **Hold the power tool by insulated gripping surfaces, when performing an operation where the cutting accessory may contact hidden wiring or its own cord.** Cutting accessory contacting a "live" wire may make exposed metal parts of the power tool "live" and could give the operator an electric shock.

2.3 Additional safety instructions for breakers

Personal safety

- ▶ Use the product and accessories only when they are in perfect working order.



- ▶ Never tamper with or modify the product or accessories in any way.
- ▶ When chiseling into ceilings, walls and floors, always make sure that you have a safe and firm stance. A sudden break-through can affect your balance!
- ▶ Apply appropriate safety measures at the opposite side of the workpiece in work that involves breaking through. Parts breaking away could fall out and / or fall down causing injury to other persons.
- ▶ You and the other persons in the vicinity must wear suitable eye protection, a hard hat, ear protection, protective gloves and light respiratory protection while the product is in use.
- ▶ Wear protective gloves when changing the accessory tool. Touching the accessory tool can result in cuts and burns.
- ▶ Wear eye protection. Flying fragments can injure the body and eyes.
- ▶ Dust produced by grinding, sanding, cutting and drilling can contain dangerous chemicals. Some examples are: lead or lead-based paints; brick, concrete and other masonry products, natural stone and other products containing silicates; certain types of wood, such as oak, beech and chemically treated wood; asbestos or materials that contain asbestos. Determine the exposure of the operator and bystanders by means of the hazard classification of the materials to be worked. Implement the necessary measures to restrict exposure to a safe level, for example by the use of a dust collection system or by the wearing of suitable respiratory protection. The general measures for reducing exposure include:
 - ▶ working in an area that is well ventilated,
 - ▶ avoidance of prolonged contact with dust,
 - ▶ directing dust away from the face and body,
 - ▶ wearing protective clothing and washing exposed areas of the skin with water and soap.
- ▶ Take frequent breaks and do physical exercises to improve the blood circulation in your fingers. High vibration during long periods of work can lead to disorders of the blood vessels and nervous system in the fingers, hands and wrists.

Electrical safety

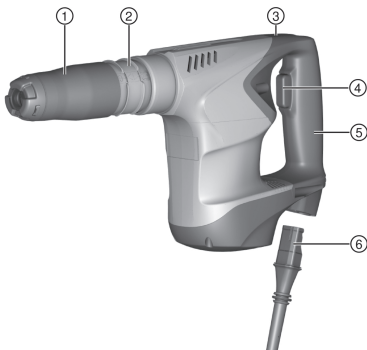
- ▶ Before beginning work, check the working area for concealed electric cables or gas and water pipes. External metal parts of the product could give you an electric shock or cause an explosion if you accidentally damage an electric cable or a gas or water pipe.

Power tool use and care

- ▶ Wait until the product has come to a complete stop before you lay it down.

3 Description

3.1 Product overview



- ① Tool holder
- ② Accessory tool release ring
- ③ Control switch lockbutton
- ④ Control switch
- ⑤ Rear grip
- ⑥ Supply cord with keyed, releasable plug connector

3.2 Intended use

The product described is an electrically powered breaker. It is designed for medium-duty chiseling work on masonry and concrete.

- ▶ Operation is permissible only when connected to a power source providing a voltage and frequency in compliance with the information given on the type identification plate.



3.3 Items supplied

Breaker, operating instructions.

Other system products approved for use with this product can be found at your local **Hilti Store** or at: www.hilti.group

4 Technical data

4.1 Breaker



For rated voltage, rated current, frequency and/or input power, refer to the country-specific type identification plate.

If the device is powered by a generator or transformer, the generator or transformer's power output must be at least twice the rated input power shown on the rating plate of the device. The operating voltage of the transformer or generator must always be within +5 % and -15 % of the rated voltage of the device.

This device complies with the applicable standard provided that the maximum permissible supply impedance (Z_{max}) at the point where the user's installation is connected to the public supply network is less than or equal to $0,401 \Omega$. It is the responsibility of the installer or user of the device to ensure, if necessary by consultation with the supply network operator, that the device is connected only at a point where supply impedance is less than or equal to Z_{max} .

	TE 500
Weight in accordance with EPTA procedure 01	4.9 kg
Protection class in accordance with EN 60745	II

4.2 Noise information and vibration values in accordance with EN 62841

The sound pressure and vibration values given in these instructions were measured in accordance with a standardized test and can be used to compare one power tool with another. They can also be used for a preliminary assessment of exposure.

The data given represent the main applications of the power tool. However, if the power tool is used for different applications, with different accessory tools, or is poorly maintained, the data can vary. This can significantly increase exposure over the total working period.

An accurate estimation of exposure should also take into account the times when the power tool is switched off, or when it is running but not actually being used for a job. This can significantly reduce exposure over the total working period.

Identify additional safety measures to protect the operator from the effects of noise and/or vibration, for example: maintaining the power tool and accessory tools, keeping the hands warm, organization of work patterns.

Noise information

	TE 500
Sound power level (L_{WA})	100 dB(A)
Uncertainty for the sound power level (K_{WA})	3 dB(A)
Sound pressure level (L_{pA})	89 dB
Uncertainty for the sound pressure level (K_{pA})	3 dB(A)

Vibration information

	TE 500
Chiseling ($a_{h,Chesq}$)	13.5 m/s ²
Uncertainty (K)	1.5 m/s ²



5 Operation

5.1 Preparations at the workplace

CAUTION

Risk of injury! Inadvertent starting of the product.

- ▶ Unplug the supply cord before making adjustments to the power tool or before changing accessories.

Observe the safety instructions and warnings in this documentation and on the product.

5.2 Connecting the detachable supply cord

CAUTION

Risk of injury! Due to leakage current as a result of dirty contacts.

- ▶ Connect the detachable electric connector to the electric tool only when it is clean and dry and when the supply cord is unplugged from the power outlet.

1. Push the keyed, detachable electric plug connector into the tool as far as it will go, until it is heard to engage.
2. Plug the supply cord into the power outlet.

5.3 Disconnecting the detachable supply cord

1. Unplug the supply cord from the power outlet.
2. Press the release button and pull the keyed, detachable electric plug connector out of the socket.
3. Pull the supply cord connector out of the power tool.

5.4 Inserting the tool

1. Lightly grease the connection end of the accessory tool.
 - ▶ Use only genuine **Hilti** grease. Using the wrong grease can result in damage to the tool.
2. Push the accessory tool into the tool holder as far as it will go and turn it until the Y-holder engages.
3. Pull the accessory-tool release back.
 - ▶ The accessory tool can now be inserted fully into the tool holder.
4. Let go of the accessory-tool release to lock the accessory tool in the chuck.
5. After fitting the accessory tool, grip it and pull it in order to check that it is securely engaged.
 - ▶ The product is ready for use.

5.5 Removing the accessory tool

- ▶ Pull the accessory tool locking ring back as far as it will go and remove the accessory tool.

5.6 Fitting the side handle (optional)

1. Release the side handle clamping band by turning the handle grip.
2. Slide the side handle clamping band over the tool holder from the front and into the recess provided.
3. Adjust the side handle to the desired position.
4. Tighten the side handle clamping band by turning the handle grip.

5.7 Types of work

WARNING

Risk of electric shock! Severe injury and burns can result if any attempt is made to operate the tool without an earth/ground conductor and ground fault circuit interrupter correctly connected.

- ▶ Irrespective of whether mains power or generator power is used, always make sure that an earth/ground conductor and ground fault circuit interrupter are present in the power supply and that these are correctly connected.
- ▶ Do not use the product unless these safety measures are in place and fully operational.



⚠ WARNING

A damaged supply cord presents a hazard! If the supply cord or extension cord is damaged while work is in progress, immediately disconnect the device and the cord from the electricity supply. Do not touch the damaged part of the cord.

- ▶ Regularly check all supply cords. Replace defective extension cords.

Full approval must be obtained from the site engineer or architect prior to beginning the work.

5.7.1 Chisel positioning



The chisel can be adjusted to 24 different positions (in 15° increments). This ensures that flat chisels and shaped chisels can always be set to the optimum working position.

1. Push the accessory-tool release forward and hold it in this position.
2. Turn the accessory-tool release with the chisel to the desired position.
3. Let go of the accessory-tool release to lock the chisel in this position.

5.7.2 Chiseling

1. Slowly press the control switch.



Running speed can be controlled smoothly up to maximum by varying how far the control switch is pressed.

2. To switch the power tool off, release the control switch.

5.7.3 Switching on and off in sustained operating mode



When chiseling, the control switch can be locked in the “on” position.



1. Press control switch 1 and then press control switch lock 2.
2. Release control switch 1 and then release control switch lock 2.
 - ▶ The power tool then runs in sustained operating mode.
3. To switch off continuous operation, press control switch 1 and then release it.
 - ▶ The power tool switches off.

6 Care and maintenance

⚠ WARNING

Electric shock hazard! Attempting care and maintenance with the supply cord connected to a power outlet can lead to severe injury and burns.

- ▶ Always unplug the supply cord before carrying out care and maintenance tasks.



Care

- Carefully remove stubborn dirt from the tool.
- Clean the air vents carefully with a dry brush.
- Use only a slightly damp cloth to clean the casing. Do not use cleaning agents containing silicone as they can attack the plastic parts.

Maintenance



WARNING

Danger of electric shock! Improper repairs to electrical components may lead to serious injuries including burns.

- ▶ Repairs to the electrical section of the tool or appliance may be carried out only by trained electrical specialists.
-
- Check all visible parts and controls for signs of damage at regular intervals and make sure that they all function correctly.
 - Do not operate the product if signs of damage are found or if parts malfunction. Have it repaired immediately by **Hilti Service**.
 - After cleaning and maintenance, fit all guards or protective devices and check that they function correctly.



To help ensure safe and reliable operation, use only genuine Hilti spare parts and consumables. Spare parts, consumables and accessories approved by Hilti for use with the product can be found at your local **Hilti Store** or online at: www.hilti.group.

7 Transport and storage

- Do not transport electric tools with accessory tools fitted.
- Always unplug the supply cord before storing an electric tool or appliance.
- Store tools and appliances in a dry place where they cannot be accessed by children or unauthorized persons.
- Check electric tools or appliances for damage after long periods of transport or storage.

8 Troubleshooting

If the trouble you are experiencing is not listed in this table or you are unable to remedy the problem by yourself, please contact **Hilti Service**.

8.1 Troubleshooting

Trouble or fault	Possible cause	Action to be taken
Power tool does not start.	The supply cord or plug is defective.	▶ Have the supply cord or the plug checked by a trained electrical specialist and replaced if necessary.
	The generator is in sleep mode.	▶ Apply a load to the generator by connecting a second power consumer (e.g. worklight).
	Electrical fault.	▶ Have the power tool and supply cables checked by a trained electrical specialist.
	The carbon brushes are worn out.	▶ Have the power tool checked by a trained electrical specialist and the carbon brushes replaced if necessary.
	The detachable supply cord is not fitted correctly.	▶ Fit the detachable supply cord to the power tool correctly.
No hammering action.	The tool is faulty or servicing is due.	▶ Have the product repaired only by Hilti Service .



Trouble or fault	Possible cause	Action to be taken
No hammering action.	The power tool is too cold.	► Bring the tip of the accessory tool into contact with the workpiece and allow the power tool to run under no load until it reaches the minimum operating temperature.
The tool does not achieve full power.	The gauge (cross section) of the extension cord conductors is inadequate.	► Use an extension cord with an adequate conductor cross section.
	The control switch is not fully pressed.	► Press the control switch as far as it will go.
The accessory tool can't be released.	The tool holder is not pulled back fully.	► Pull the tool lock back as far as it will go and remove the accessory tool.

9 Disposal

Most of the materials from which **Hilti** tools and appliances are manufactured can be recycled. The materials must be correctly separated before they can be recycled. In many countries, your old tools, machines or appliances can be returned to **Hilti** for recycling. Ask **Hilti** Service or your Hilti representative for further information.



- Do not dispose of power tools, electronic equipment or batteries as household waste!

10 RoHS (Restriction of Hazardous Substances)

The following links take you to the table of dangerous substances: qr.hilti.com/r7770034. You will find a link to the RoHS table, in the form of a QR code, at the end of this document.

11 Manufacturer's warranty

- Please contact your local **Hilti** representative if you have questions about the warranty conditions.

Originaalkasutusjuhend

1 Andmed kasutusjuhendi kohta

1.1 Käesoleva käsitsemisjuhendi kohta

- Enne seadme kasutuselevõttu lugege läbi kasutusjuhend. See on ohutu kasutamise ja tõrgeteta töö eeldus.
- Järgige käesolevas kasutusjuhendis ja seadmel esitatud ohutusnõudeid ja hoiatusi.
- Hoidke kasutusjuhend alati toote juures ja andke toode teistele isikutele edasi ainult koos käesoleva kasutusjuhendiga.

1.2 Märkide selgitus

1.2.1 Hoiatused

Hoiatused annavad märku toote kasutamisel tekkivatest ohtudest. Kasutatakse järgmisi märksõnu:



OHT !

- Võimalikud ohtlikud olukorrad, mis võivad põhjustada kasutaja raskeid kehavigastusi või hukkamist.



HOIATUS
HOIATUS !

- ▶ Võimalik ohtlik olukord, mis võib põhjustada kasutaja raskeid kehavigastusi või hukkumist.

ETTEVAATUST
ETTEVAATUST !

- ▶ Võimalikud ohtlikud olukorrad, mis võivad põhjustada kehavigastusi või varalist kahju.

1.2.2 Sümbolid kasutusjuhendis

Käesolevas kasutusjuhendis kasutatakse järgmisi sümboleid:

	Järgige kasutusjuhendit
	Soovitusi seadme kasutamiseks ja muu kasulik teave
	Taaskasutatavate materjalide käsitsemine
	Elektrilisi tööriistu ja akusid ei tohi visata olmejäätmete hulka

1.2.3 Joonistel kasutatud sümbolid

Joonistel kasutatakse järgmisi sümboleid.

	Numbrid viitavad vastavatele joonistele kasutusjuhendi juhendi alguses.
	Numbrid joonistel tähistavad tähtsaid toiminguid või toimingute jaoks tähtsaid detaile. Tekstis tõstetakse need toimingud või detailid vastava numbriga abil esile, näiteks (3) .
	Positsiooninumbreid kasutatakse joonisel Ülevaade ja need viitavad selgituste numbritele toote ülevaates .
	See märk näitab, et toote käsitsemisel tuleb olla eriti tähelepanelik.

1.3 Tootest sõltuvad sümbolid
1.3.1 Sümbolid tootel

Tootel võib kasutada järgmisi sümboleid:

	Seade toetab NFC-tehnoloogiat, mis on ühildatav iOS- ja Android-platvormidega.
--	--

1.4 Tooteinfo

tooted on ette nähtud professionaalsele kasutajale ja neid tohivad käsitseta, hooldada ja korras hoida ainult volitatud ja asjaomase väljaõppega isikud. Nimetatud personal peab olema teadlik kõikidest kaasnevatest ohtudest. Seade ja sellega ühendatavad abivahendid võivad osutada ohtlikuks, kui neid ei kasutata nõuetekohaselt või kui nendega töötab vastava väljaõppeta isik.

Tüübitähis ja seerianumber on tüübisildil.

- ▶ Kandke seerianumber järgmisse tabelisse. Andmeid toote kohta vajate meie esindusele või hooldekeskusele päringute esitamisel.

Toote andmed

Pliikvasar	TE 500
Põlvkond	03
Seerianumber	

1.5 Vastavusdeklaratsioon

Kinnitame ainuvastutajana, et käesolevas kasutusjuhendis kirjeldatud seade vastab kehtivate direktiivide ja standardite nõuetele: Vastavusdeklaratsiooni ära kirja leiате käesoleva kasutusjuhendi lõpust.



2 Ohutus

2.1 Üldised ohutusnõuded elektriliste tööriistade kasutamisel

⚠ HOIATUS! Lugege kõiki selle elektrilise tööriista juurde kuuluvaid ohutusjuhiseid, nõuandeid, jooniseid ja tehnilisi andmeid! Järgmiste juhiste eiramise tagajärg võib olla elektrilöök, tulekahju ja/või raskest vigastused.

Hoidke kõik ohutusnõuded ja juhised edaspidiseks kasutamiseks alles.

Ohutusjuhistes kasutatud mõiste "elektriline tööriist" käib võrgutoitega (toitejuhtmega) elektriliste tööriistade või akutoitega (toitejuhtmeta) elektriliste tööriistade kohta.

Ohutus töökohal

- ▶ **Hoidke oma töökoht puhas ja valgustage seda korralikult.** Korrastamata ja valgustamata töökoht võib põhjustada õnnetusi.
- ▶ **Ärge kasutage elektrilist tööriista plahvatusohtlikus keskkonnas, kus leidub tuleohtlikke vedelikke, gaase või tolmu.** Elektrilistest tööriistadest lööb sädemeid, mis võivad tolmu või auru süüdata.
- ▶ **Hoidke lapsed ja kõik teised töökohast eemal, kui kasutate elektrilist tööriista!** Kui teie tähelepanu juhitakse kõrvale, võib seade teie kontrolli alt väljuda.

Elektriohutus

- ▶ **Elektrilise tööriista pistik peab sobima pistikupessa. Pistiku juures ei tohi teha mingeid muudatusi. Kaitsemaandusega seadmete puhul ei tohi kasutada adapterpistikuid.** Muutmata pistikud ja sobivad pistikupesad vähendavad elektrilöögiohtu.
- ▶ **Vältige keha kontakti maandatud pindadega (nt toru, radiaator, pliit, külmik).** Kui teie keha on maandatud, on elektrilöögi oht suurem.
- ▶ **Kaitske elektrilist tööriista vihma ja niiskuse eest.** Kui elektrilise tööriista sisemusse satub vett, suurendab see elektrilöögiohtu.
- ▶ **Süage kasutage ühenduskaablit elektrilise tööriista kandmiseks, riputamiseks ega pistiku stepslist väljatõmbamiseks!** Hoidke ühenduskaablit eemal kuumusest, õlidest, teravatest servadest ja liikuvatest osadest. Kahjustatud või keerduis ühenduskaablid suurendavad elektrilöögiohtu.
- ▶ **Kui töotate elektrilise tööriistaga vabas õhus, kasutage ainult selliseid pikendusjuhtmeid, mida tohib kasutada ka välitingimustes.** Välitingimustes sobiva pikendusjuhtme kasutamine vähendab elektrilöögiohtu.
- ▶ **Kui seadmega töötamine niiskes keskkonnas on vältimatu, kasutage rikkevoolu kaitselüliti.** Rikkevoolu kaitselüliti kasutamine vähendab elektrilöögiohtu.

Inimeste ohutus

- ▶ **Olge tähelepanelik, jälgige, mida teete, ja toimige elektrilise tööriistaga töötades kaalutletult. Ärge töötage elektrilise tööriistaga, kui olete väsinud või alkoholi, narkootikumide või ravimite mõju all!** Hetkeline tähelepanematus elektrilise tööriista kasutamisel võib põhjustada raskest kehavigastusi ja varalist kahju.
- ▶ **Kandke isiklikke kaitsevahendeid ja alati kaitseprille.** Isiklike kaitsevahendite, nt tolmu maski, libisemiskindlate turvajalatsite, kaitsekiivri või kuulmiskaitsevahendite kandmine (sõltuvalt elektrilise tööriista tüübist ja kasutusalasest) vähendab vigastusohu.
- ▶ **Vältige elektrilise tööriista soovimatut käivitamist!** Enne elektrilise tööriista ühendamist vooluvõrku ja/või elektrilise tööriista aku paigaldamist, tööriista ülestõstmist ja kandmist veenduge, et elektriline tööriist on välja lülitatud! Kui hoiate elektrilise tööriista kandmisel sõrme lüliti või ühendate vooluvõrku sisselülitatud tööriista, võib juhtuda õnnetus.
- ▶ **Enne elektrilise tööriista sisselülitamist eemaldage selle küljest seade- ja mutrivõtmed.** Elektrilise tööriista pöörleva osa küljes olev seade- või mutrivõti võib põhjustada vigastusi.
- ▶ **Vältige ebatavalist töoasendit! Võtke stabiilne töoasend ja säilitage alati tasakaal.** Nii saate elektrilist tööriista ootamatutes olukordades paremini kontrollida.
- ▶ **Kandke sobivat rõivastust. Ärge kandke laiu riideid ega ehteid!** Hoidke juuksed, rõivad ja kindad seadme liikuvatest osadest eemal. Lotendavad riided, ehted ja pikad juuksed võivad sattuda seadme liikuvate osade vahele.
- ▶ **Kui elektrilise tööriista külge on võimalik paigaldada tolmuemaldus- ja kogumiseseid, veenduge, et need on tööriistaga ühendatud ja et neid kasutatakse nõuetekohaselt.** Tolmuemalduseseid kasutamine võib vähendada tolmu taset tingitud ohte.



- ▶ **Ärge laske tekkida petlikul turvatundel ega eirake elektrilise tööriista ohutusreegleid isegi siis, kui olete pärast paljukordset kasutamist elektrilise tööriistaga harjunud.** Tähelepanematu käsitsemise võib sekundi murdosa jooksul kaasa tuua raskeid vigastusi.

Elektrilise tööriista kasutamine ja käsitsemine

- ▶ **Ärge koormake seadet üle! Kasutage konkreetseks tööks sobivat elektrilist tööriista.** See töötab ettenähtud jõudluspiirides tõhusamalt ja ohutumalt.
- ▶ **Ärge kasutage elektrilist tööriista, mille lüliti on rikkis!** Elektriline tööriist, mida ei saa enam lülitist korralikult sisse ja välja lülitada, on ohtlik ning tuleb viia parandusse.
- ▶ **Tõmmake enne seadme mis tahes seadetöid, tarvikute vahetamist ja seadme hoiuolepanekut pistik pistikupesast välja ja/või eemaldage äravõetav aku.** See ettevaatusabinõu hoiab ära seadme soovimatu käivitumise.
- ▶ **Kasutusvälisel ajal hoidke elektrilist tööriista lastele kättesaamatus kohas. Ärge laske seadet kasutada isikutel, kes seadme tööpõhimõtet ei tunne või ei ole lugenud käesolevaid kasutusjuhendeid.** Asjatundmatute isikute käes on elektrilised tööriistad ohtlikud.
- ▶ **Hooldage elektrilisi tööriistu ja tarvikuid korralikult. Kontrollige, kas liikuvad osad töötavad veatult ega kiilu kiini.** Veenduge, et seadme osad ei ole murdunud või kahjustatud määral, mis mõjutab seadme töökindlust. Laske kahjustatud osad enne seadme kasutamist parandada. Ebapiisavalt hooldatud elektrilised tööriistad põhjustavad õnnetusi.
- ▶ **Hoidke lõiketarvikud teravad ja puhtad.** Hästi hooldatud, teravate lõikeservadega lõiketarvikud kiiluvad harvemini kinni ja neid on lihtsam juhtida.
- ▶ **Kasutage elektrilist tööriista, tarvikuid ja lisatarvikuid vastavalt nende juhiste.** Arvestage seejuures töötingimuste ja tehtava töö iseloomuga. Elektrilise tööriista kasutamine otstarbel, milleks see ei ole ette nähtud, võib põhjustada ohtlikke olukordi.
- ▶ **Käepidemed ja haardepinnad peavad olema kuivad, puhtad ning vabad õlist ja rasvast.** Libedad käepidemed ja haardepinnad ei võimalda elektrilist tööriista ootamatutes olukordades kindlalt käsitseta ega kontrollida.

Hooldus

- ▶ **Laske elektrilist tööriista parandada ainult kvalifitseeritud spetsialistidel, kes kasutavad originaalvaruosi.** Nii on tagatud elektrilise tööriista ohutu töö.

2.2 Ohutusnõuded puurvaratega töötamisel

Ohutusnõuded kõikide tööde puhul

- ▶ **Kandke kuulmiskaitsevahendeid.** Müra võib kahjustada kuulmist.
- ▶ **Kasutage tarnekomplekti kuuluvaid lisakäepidemeid.** Kontrolli kaotus seadme üle võib põhjustada vigastusi.
- ▶ **Kui teete töid, mille puhul võib tarvik tabada varjatud elektrijuhtmeid või omaenda toitejuht, hoidke seadet üksnes käepidemete isoleeritud pindadest.** Kokkupuude pingestatud elektrijuhtmega võib seada pinge alla ka seadme metaldetailid ja põhjustada elektrilöögi.

2.3 Täiendavad ohutusnõuded Piikvasar

Inimeste turvalisus

- ▶ Kasutage seadet ja lisatarvikuid ainult siis, kui nende tehniline seisukord on veatu.
- ▶ Ärge kunagi muutke ega modifitseerige seadet ega lisatarvikuid.
- ▶ Lagede, seinte ja põrandate meiseldamisel võtke ohutu ja stabiilne asend. Äkiline läbimurre võib teid tasakaalust välja viia!
- ▶ Läbistavate tööde korral ümbritsege kaitsepiiridega töödeldava koha taha jääv ala. Väljamurtavad tükid võivad välja ja/või alla kukkuda ning teisi inimesi vigastada.
- ▶ Seadme kasutaja ja läheduses viibivad inimesed peavad kandma sobivaid kaitseprille, kaitsekiivrit, kuulmiskaitsevahendeid ja kergest hingamisteede kaitsemaski.
- ▶ Tarviku vahetamisel kandke kaitsekindaid. Tarviku puudutamine võib tekitada lõikehaavu ja põletusi.
- ▶ Kasutage kaitseprille. Materjalist väljalendavad killud võivad tekitada keha- ja silmavigastusi.



- ▶ Lihvimisel, lõikamisel ja puurimisel tekivad tolmu osakesed võivad sisaldada ohtlikke kemikaale. Mõned näited: plii või pliipõhised värvid; tellis, betoon ja muu müüritis, looduskivi ja muud silikaati sisaldavad tooted; teatud tüüpi puit, näiteks tamm, pöök ja keemiliselt töödeldud puit; asbest või asbesti sisaldavad materjalid. Tehke kindlaks kasutaja ja teiste läheduses viibivate isikutega kokkupuute tase, arvestades töödeldavate materjalide ohuklassi. Võtke vajalikud meetmed, et hoida kokkupuude ohutul tasemel, nt kasutage tolmukogumissüsteemi või kandke sobivat hingamisteede kaitse maski. Kokkupuute vähendamise üldiste meetmete hulka kuuluvad:
 - ▶ töötamine hästi ventileeritud piirkonnast,
 - ▶ tolmuga pikaajalise kokkupuute vältimine,
 - ▶ tolmuaemajuhimine näost ja kehast,
 - ▶ kaitserõivaste kandmine ja nähtavate kohtade pesemine vee ja seebiga.
- ▶ Tehke tihti pause ja sirutage sõrmi, et parandada verevarustust. Pikemaajalisel töötamisel võib tugev vibratsioon tekitada häireid sõrmede, käte või randmeliigeste veresoonte ja närvisüsteemi toimimises.

Elektriohutus

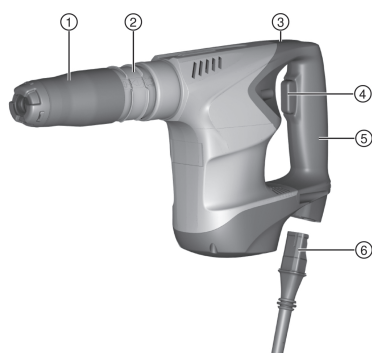
- ▶ Veenduge enne töö alustamist, et tööpiirkonnas ei ole varjatult paigaldatud elektrikaableid ega gaasi- ja veetorustikke. Pingestatud elektrijuhtme, gaasi- või veetoru vigastamise korral võivad seadme välised metallosad sattuda põhjustada plahvatuse või elektrilöögi.

Elektriliste tööriistade hooldikas käsitlemine ja kasutamine

- ▶ Enne käestpanekut oodake, kuni seade on täielikult seiskunud.

3 Kirjeldus

3.1 Toote ülevaade 1



- ① Padrunotsak
- ② Tarviku vabastamise nupp
- ③ Juhtlüliti lukustamise nupp
- ④ Juhtlüliti
- ⑤ Tagakäepide
- ⑥ Kodeeritud lahutatava pistikühendusega võrgujuhe

3.2 Kasutusotstarve

Kirjeldataud toode on elektriline piikvasar. See on ette nähtud meiseldustöödeks müüritise ja betooni puhul.

- ▶ Seadet võib kasutada vaid siis, kui vooluvõrgu pinge ja sagedus ühtib seadme tüübisildil märgitud võrgupinge ja sagedusega.

3.3 Tarnekomplekt

Piikvasar, kasutusjuhend.

Muud süsteemitooded leiata müügiesindusest **Hilti Store** või veebisaidilt: www.hilti.group

4 Tehnilised andmed

4.1 Piikvasar



Andmed nimipinge, nimivoolu, sageduse ja nimivõimsuse kohta leiata kasutusriigile vastavalt andmesildilt.



Generaatori või transformaatori kasutamisel peab selle väljundvõimsus olema vähemalt kaks korda suurem kui seadme tüübisildile märgitud nimisendvõimsus. Transformaatori või generaatori tööpinge peab olema kogu aeg vahemikus + 5% ja - 15% seadme nimipingest.

Käesolev seade asjaomasele standardile eeldusel, et seadme ühendamisel vooluvõrku on vooluvõrgu lubatud maksimaalne näivtakistus Z_{max} väiksem kui 0,401 Ω või sellega võrdne. Seadme paigaldaja või käitaja peab võrguoperaatoriga kooskõlastatult tagama, et seade ühendatakse vooluvõrguga üksnes sellises liitumispunktis, mille näivtakistus on väiksem kui Z_{max} või sellega võrdne.

	TE 500
Kaal EPTA-Procedure 01 kohaselt	4,9 kg
Kaitseklass vastavalt standardile EN 60745	II

4.2 Andmed müra ja vibratsiooni kohta vastavalt standardile EN 62841

Käesolevas juhendis märgitud helirõhu- ja vibratsioonitase on mõõdetud standarditud mõõtemeetodil ja seda saab kasutada elektriliste tööriistade omavaheliseks võrdlemiseks. See sobib ka vibratsiooni- ja mürataseme esialgseks hindamiseks.

Toodud näitajad iseloomustavad elektrilise tööriista põhilisi ettenähtud töid. Kui aga elektrilist tööriista kasutatakse muul otstarbel, teiste tarvikutega või kui tööriista on ebapiisavalt hooldatud, võivad näitajad käesolevas juhendis toodud näitajatest kõrvale kalduda. See võib vibratsiooni- ja mürataset töötamise koguperioodil tunduvalt suurendada.

Müra- ja vibratsioonitaseme täpseks hindamiseks tuleb arvesse võtta ka aega, mil elektriline tööriist oli välja lülitatud või küll sisse lülitatud, kuid tegelikult tööle rakendamata. See võib vibratsiooni- ja mürataset töötamise koguperioodil tunduvalt vähendada.

Kasutaja kaitseks müra ja/või vibratsiooni eest võtke tarvitusele täiendavaid kaitsemeetmeid, näiteks: hooldage elektrilist tööriista ja tarvikuid korralikult, hoidke käed soojad, tagage sujuv töökorraldus.

Teave müra kohta

	TE 500
Helivõimsustase (L_{WA})	100 dB(A)
Helivõimsustaseme mõõtemääramatus (K_{WA})	3 dB(A)
Helirõhutase (L_{pA})	89 dB
Helirõhutaseme mõõtemääramatus (K_{pA})	3 dB(A)

Teave vibratsiooni kohta

	TE 500
Meiseldamine ($a_{h, Cheq}$)	13,5 m/s ²
Mõõtemääramatus (K)	1,5 m/s ²

5 Käsitsemine

5.1 Töö ettevalmistamine

ETTEVAATUST

Vigastuste oht! Seadme soovimatu käivitumine.

- Enne seadme seadistamist ja tarvikute vahetamist tõmmake pistik pistikupesast välja.

Järgige kasutusjuhendis esitatud ja tootele märgitud ohutusnõudeid ja hoiatusi.

5.2 Pistikühendusega võrgujuhtme ühendamine

ETTEVAATUST

Vigastuste oht põhjustatud lekkevoolust määratud kontaktide puhul.

- Ühendage lahutatav elektripistikühendus seadmega vaid siis, kui see on puhas, kuiv ja pingevaba.

1. Viige kodeeritud lahutatav pistik lõpuni seadmesse, kuni lukustus kuuldavalt kohale fikseerub.
2. Ühendage võrgupistik pistikupesassa.



5.3 Pistikühendusega võrgujuhtme lahtiühendamine elektrilise tööriista küljest

1. Tõmmake seadme võrgupistik pistikupesast välja.
2. Vajutage lukustusnupule ja tõmmake kodeeritud eemaldatav pistik välja.
3. Eemaldage toitejuhe seadmest.

5.4 Tarviku paigaldamine 2

1. Määrige tarviku padrunisse kinnitavat osa veidi.
 - ▶ Kasutage üksnes **Hilti** originaalmääret. Vale määre võib seadet kahjustada.
2. Torgake tarvik lõpuni padrunisse ja keerake seda, kuni Y-kinnitus fikseerub.
3. Tõmmake tarviku vabastamise nupp tagasi.
 - ▶ Tarviku saab nüüd lõpuni padrunisse viia.
4. Tarviku lukustamiseks vabastage tarviku vabastamise nupp.
5. Pärast paigaldamist tõmmake tarvikut, et kontrollida, kas see on kindlalt kinni.
 - ▶ Seade on töövalmis.

5.5 Tarviku eemaldamine 3

- ▶ Tõmmake tarviku vabastamise nupp lõpuni tagasi ja eemaldage tarvik.

5.6 Lisakäepideme paigaldamine (lisavarustus) 4

1. Keerake käepide, et kinnitusmehhanism (kinnitusriba) vabastada.
2. Lükake kinnitusmehhanism (kinnitusriba) eest üle padruni selleks ettenähtud soonde.
3. Seadke lisakäepide soovitud asendisse.
4. Keerake käepidemest, et lisakäepideme kinnitusmehhanismi (kinnitusriba) kinni pingutada.

5.7 Töötamine

HOIATUS

Elektrilöögi oht! Puuduv maandusjuhe ja rikkevoolukaitselüliti võivad kaasa tuua raskeid vigastusi ja põletusi.

- ▶ Veenduge, et ehitusplatsi elektrikaablis (nii võrgu- kui generaatoritoite puhul) on alati olemas ja ühendatud maandusjuhe ja rikkevoolukaitselüliti.
- ▶ Ilma nende ohutusnõueteta ärge toodet tööle rakendage.

HOIATUS

Kahjustatud toitejuhe on ohtlik! Kui töötamisel saab toite- või pikendusjuhe kahjustada, lahtuage seade ja juhe võrgust kohe lahti. Defektset kohta ärge puudutage!

- ▶ Kontrollige regulaarselt kõiki ühendusjuhtmeid. Defektsed pikendusjuhtmed vahetage välja.

Kooskõlastage kõik tööd projektijuhiga!

5.7.1 Meisli positsioneerimine 5



Meislit saab lukustada 24 erinevasse asendisse (15° sammuga). Nii on lapik- ja profiilmeislitega võimalik alati töötada optimaalses tööasendis.

1. Tõmmake tarviku vabastamise nupp ette ja hoidke seda selles asendis.
2. Tõmmake tarviku vabastamise nupp koos meisliga soovitud asendisse.
3. Vabastage tarviku vabastamise nupp, et meislit selles asendis lukustada.

5.7.2 Meiseldamine

1. Vajutage aeglaselt juhtlülile.



Olenevalt juhtlüliti sissevajutamise sügavusest saab pöörete arvu sujuvalt reguleerida kuni maksimumini.

2. Seadme väljalülitamiseks vabastage juhtlüliti.



5.7.3 Pideva töörežiimi sisse-/väljalülitamine



Meiseldusrežiimis saate juhtlüliti sisselülitatud olekus lukustada.



1. Vajutage juhtlüliti 1 ja seejärel juhtlüliti 2 lukustusnupule.
2. Vabastage juhtlüliti 1 ja seejärel juhtlüliti 2 lukustusnupp.
 - ▶ Seade töötab nüüd pideva töö režiimis.
3. Pideva töörežiimi väljalülitamiseks vajutage juhtlüliti 1 ja vabastage see siis.
 - ▶ Seade lülitub välja.

6 Hooldus ja korrashoid

HOIATUS

Elektrilöögi oht! Seadme hooldus- ja korrashoiutööd toitevõrku ühendatud toitepistikuga võivad põhjustada raskeid vigastusi ja põletusi.

- ▶ Tõmmake toitepistik pistikupesast välja iga kord enne hooldus- ja korrashoiutööde tegemist!

Hooldus

- Kõvasti kinni olev mustus eemaldage ettevaatlikult.
- Puhastage ventilatsiooniavasid ettevaatlikult kuiva harjaga.
- Puhastage korpust kergelt niiske lapiga. Ärge kasutage silikooni sisaldavaid hooldusvahendeid, sest need võivad kahjustada seadme plast detaile.

Korrashoid

HOIATUS

Elektrilöögi oht! Elektridetaile asjatundmatu parandamine võib kaasa tuua raskeid vigastusi ja põletusi.

- ▶ Elektridetaile tohivad parandada ainult elektriala asjatundjad.
- Kontrollige regulaarselt nähtavate osade ja juhtelementide laitmatut töökorda.
- Kahjustuste ja/või tõrgete korral ei tohi seadet kasutada. Laske tööriist kohe **Hilti** teeninduskeskuses parandada.
- Pärast hooldus- ja remonttööd paigaldage kõik kaitseseadised ja kontrollige nende töökorda.



Tööohutuse tagamiseks kasutage ainult originaalvaruosi ja -materjale. Teie tootega sobivad ja meie poolt heakskiidetud varuosad, materjalid ja tarvikud leiate kauplusest **Hilti Store** või veebilehelt: www.hilti.group.

7 Transport ja ladustamine

- Ärge transportige elektrilist tööriista, millesse on paigaldatud tarvik.
- Enne elektrilise tööriista hoiulepanekut tõmmake toitepistik pistikupesast välja.
- Hoidke seadet kuivas kohas, mis on lastele ja kõrvalistele isikutele ligipääsmatu.



- Pärast pikemat transporti või ladustamist kontrollige tööriista vigastuste suhtes.

8 Abi tõrgete puhul

Kui peaks esinema tõrge, mida ei ole järgmises tabelis nimetatud või mida Te ei suuda ise kõrvaldada, pöörduge **Hilti** hooldekeskusse.

8.1 Veotsing

Tõrge	Võimalik põhjus	Lahendus
Seade ei käivitu.	Toitejuhe või pistik on katki.	▶ Laske toitejuhelt või pistikut elektrikul kontrollida ja vajaduse korral välja vahetada.
	Generaator on ooterežiimil (Sleep Mode).	▶ Kasutage generaatorit mõne teise tarvitiga (nt ehitusplatsil kasutatav lamp).
	Elektriline rike.	▶ Laske seade ja kaabel elektriala asjatundjal üle vaadata.
	Turvaharjad on kulunud.	▶ Laske seadet kontrollida ja vajadusel grafiitharjad välja vahetada elektriala asjatundjal.
	Pistikühendusega võrgujuhe ei ole korrektselt ühendatud.	▶ Ühendage pistikühendusega võrgujuhe elektrilise tööriista külge korrektselt.
Puudub lõõgifunktsioon.	Seade on kahjustatud või on käes hoolduse tähtaeg.	▶ Laske seadet parandada üksnes Hilti hooldekeskuses.
	Seade on liiga külm.	▶ Asetage seade hetkeks pinnale ja laske seadmel töötada tühikäigul, et seade jõuaks töötemperatuurile.
Seade ei tööta täisvõimsusel.	Pikendusjuhtme ristlõige on liiga väike.	▶ Kasutage piisava ristlõikega pikendusjuhelt.
	Juhtlüliti ei ole lõpuni sisse vajutatud.	▶ Vajutage juhtlüliti lõpuni.
Tarvikut ei saa padrunist vabastada.	Padrun ei ole täielikult tagasi tõmmatud.	▶ Tõmmake padrun lõpuni tagasi ja võtke tarvik välja.

9 Utiliseerimine

Hilti seadmed on suures osas valmistatud taaskasutatavatest materjalidest. Taaskasutuse eelduseks on materjalide korralik sorteerimine. Paljudes riikides kogub **Hilti** kasutusressursi ammendanud seadmed kokku. Lisateavet saate **Hilti** müügiesindusest.



- ▶ Ärge visake kasutusressursi ammendanud elektrilisi tööriistu, elektroonikaseadmeid ja akusid olmejäätmete hulka!

10 RoHS (direktiiv ohtlike ainete kasutamise piirangute kohta)

Järgmistel linkidel leiate ohtlike ainete tabeli: qr.hilti.com/r7770034.

RoHS-tabeli juurde viiva lingi leiate käesoleva dokumendi lõpust QR-koodina.

11 Tootja garantii

- ▶ Garantiitingimusi puudutavates küsimustes pöörduge oma kohaliku **Hilti** partneri poole.



Originālā lietošanas instrukcija

1 Informācija par lietošanas instrukciju

1.1 Par šo lietošanas instrukciju

- Pirms ekspluatācijas sākšanas obligāti izlasiet šo lietošanas instrukciju. Tas ir priekšnoteikums darba drošībai un izstrādājuma lietošanai bez traucējumiem.
- Ievērojiet drošības norādījumus un brīdinājumus, kas atrodami šajā lietošanas instrukcijā un uz izstrādājuma.
- Vienmēr glabājiet lietošanas instrukciju izstrādājuma tuvumā un, nododot izstrādājumu citai personai, vienmēr dotiet līdzī šo lietošanas instrukciju.

1.2 Apzīmējumu skaidrojums

1.2.1 Brīdinājumi

Brīdinājumi pievērš uzmanību bīstamībai, kas pastāv, strādājot ar izstrādājumu. Tiek lietoti šādi signālvārdi:

BĪSTAMI!

BĪSTAMI!

- ▶ Pievērš uzmanību draudošām briesmām, kas var izraisīt smagus miesas bojājumus vai nāvi.

BRĪDINĀJUMS!

BRĪDINĀJUMS!

- ▶ Pievērš uzmanību iespējamam apdraudējumam, kas var izraisīt smagas traumas vai pat nāvi.

IEVĒROT PIESARDZĪBU!

UZMANĪBU!

- ▶ Norāda uz iespējami bīstamām situācijām, kas var izraisīt traumas vai materiālos zaudējumus.

1.2.2 Simboli lietošanas instrukcijā

Šajā lietošanas instrukcijā tiek izmantoti šādi simboli:

	Ievērojiet lietošanas instrukciju
	Norādījumi par lietošanu un cita noderīga informācija
	Rīcība ar atbilstošajiem materiāliem
	Neizmetiet elektroiekārtas un akumulatorus sadzīves atkritumos.

1.2.3 Attēlos lietotie simboli

Attēlos tiek lietoti šādi simboli:

	Šis skaitļi norāda uz attiecīgajiem attēliem, kas atrodami šīs lietošanas instrukcijas sākumā.
	Numerācija attēlos norāda uz svarīgām darbībām vai detaļām, kas ir svarīgas noteiktām darbībām. Tekstā šīs darbības vai detaļas ir izceltas, apzīmējot ar atbilstošiem numuriem, piemēram, (3) .
	Pozīciju numuri tiek lietoti attēlā Pārskats un norāda uz leģendas numuriem sadaļā Izstrādājuma pārskats .
	Šī simbola uzdevums ir pievērst īpašu uzmanību izstrādājuma lietošanas laikā.

1.3 Simboli atkarībā no izstrādājuma

1.3.1 Simboli uz izstrādājuma

Uz izstrādājuma var tikt lietoti šādi simboli:





iekārta atbalsta tehnoloģiju NFC, kas ir saderīga ar iOS un Android platformām.

1.4 Izstrādājuma informācija

HILTI izstrādājumi ir paredzēti profesionāliem lietotājiem, un to darbināšanu, apkopi un tehniskā stāvokļa uzturēšanu drīkst veikt tikai kvalificēts, atbilstīgi apmācīts personāls. Personālam ir jābūt labi informētam par iespējamajiem riskiem, kas var rasties darba laikā. Izstrādājums un tā papildaprīkojums var radīt bīstamas situācijas, ja to uztic neprofesionālam personālam vai nelieto atbilstīgi nosacījumiem. Iekārta tipa apzīmējums un sērijas numurs ir norādīti uz identifikācijas datu plāksnītes.

- Ierakstiet sērijas numuru zemāk redzamajā tabulā. Izstrādājuma dati jānorāda, vēršoties mūsu pārstāvēniecībā vai servisā.

Izstrādājuma dati

Atskaldāmais āmurs	TE 500
Paaudze	03
Sērijas Nr.	

1.5 Atbilstības deklarācija

Uzņemoties pilnu atbildību, mēs apliecinām, ka šeit aprakstītais izstrādājums atbilst šādām direktīvām un standartiem: Atbilstības deklarācijas attēls ir atrodams šīs dokumentācijas beigās.

Tehniskā dokumentācija ir saglabāta šeit:

Hilti Entwicklungsgesellschaft mbH | Zulassung Geräte | Hiltistraße 6 | 86916 Kaufering, DE

2 Drošība

2.1 Vispārīgi drošības norādījumi par darbu ar elektroiekārtām

⚠ BRĪDINĀJUMS! Iepazīstieties ar visiem drošības norādījumiem, instrukcijām, attēliem un tehniskajiem parametriem, kas attiecas uz šo elektroiekārtu. Turpmāk izklāstīto instrukciju neievērošana var izraisīt elektrošoku, ugunsgrēku un/vai nopietnas traumas.

Saglabājiet visus drošības norādījumus un instrukcijas turpmākai lietošanai.

Drošības norādījumos lietotais apzīmējums "elektroiekārta" attiecas uz iekārtām ar tīkla barošanu (ar barošanas kabeli) vai iekārtām ar barošanu no akumulatora (bez kabeļa).

Drošība darba vietā

- **Uzturiet darba vietā tīrību un kārtību un nodrošiniet labu apgaismojumu.** Nekārtīgā darba vietā vai sliktā apgaismojumā var viegli notikt nelaimes gadījums.
- **Nestrādājiet ar elektroiekārtu sprādzienbīstamā vidē, kur atrodas uzliesmojoši šķidrumi, gāzes vai putekļi.** Darbības laikā elektroiekārtas mēdz dzirksteļot, un tas var izraisīt viegli uzliesmojošu putekļu vai tvaiku aizdegšanos.
- **Lietojot elektroiekārtu, neļaujiet nepiederošām personām un jo īpaši bērniem tuvoties darba vietai.** Citu personu klātbūtne var novērst uzmanību, un tā rezultātā jūs varat zaudēt kontroli pār iekārtu.

Elektrodrošība

- **Elektroiekārtas kontaktdakšai jāatbilst elektrotīkla kontaktligzdai. Kontaktdakšas konstrukciju nedrīkst nekādā veidā mainīt. Kopā ar elektroiekārtām, kurām ir aizsargzemējums, nedrīkst lietot adapteru spraudņus.** Neizmaiņātas konstrukcijas kontaktdakša, kas atbilst kontaktligzdai, ļauj samazināt elektrošoka risku.
- **Darba laikā nepieskarieties sazemētiem priekšmetiem, piemēram, caurulēm, radiatoriem, plītiem vai ledusskapjiem.** Pieskaroties sazemētām virsmām, pieaug risks saņemt elektrisko triecienu.
- **Nelietojiet elektroiekārtu lietus laikā, neturiet to mitrumā.** Mitrumam iekļūstot elektroiekārtā, pieaug risks saņemt elektrisko triecienu.
- **Nesiesiet un nepakariniet elektroiekārtu aiz barošanas kabeļa un neraujiet aiz kabeļa, ja vēlaties atvienot iekārtu no elektrotīkla kontaktligzdas. Sargājiet barošanas kabeli no karstuma, eļļas, asām šķautnēm vai kustīgām detaļām.** Bojāts vai sapīņķerējis barošanas kabelis var kļūt par cēloni elektrošokam.
- **Darbinot elektroiekārtu ārpus telpām, izmantojiet tās pievienošanai vienīgi tādus pagarinātājkabeļus, kas ir paredzēti lietošanai brīvā dabā.** Lietojot elektrokabeļi, kas ir piemērots darbam ārpus telpām, samazinās elektrošoka risks.



- ▶ Ja elektroiekārtas izmantošana slapjā vidē ir obligāti nepieciešama, lietojiet bojājumstrāvas aizsargslēdzi. Bojājumstrāvas aizsargslēdža lietošana samazina elektrošoka risku.

Personiskā drošība

- ▶ Strādājiet ar elektroiekārtu uzmanīgi, darba laikā saglabājiet paškontroli un rīkojieties saskaņā ar veselolo saprātu. Ar elektroiekārtu nedrīkst strādāt personas, kas ir nogurušas vai atrodas narkotiku, alkohola vai medikamentu ietekmē. Mirkļis neuzmanības, strādājot ar elektroiekārtu, var novest pie nopietnām traumām.
- ▶ Izmantojiet individuālos aizsardzības līdzekļus un darba laikā vienmēr valkājiet aizsargbrilles. Individuālo aizsardzības līdzekļu (putekļu aizsargmaskas, neslidošu apavu un aizsargķiveres vai ausu aizsargu) lietošana atbilstoši elektroiekārtas tipam un veicamā darba raksturam ļauj izvairīties no savainojumiem.
- ▶ Nepieļaujiet iekārtas nekontrolētas ieslēgšanās iespēju. Pirms pievienošanas elektrotīklam, akumulatora ievietošanas, elektroiekārtas satveršanas vai pārvietošanas pārliecinieties, ka tā ir izslēgta. Ja iekārtas pārvietošanas laikā pirksts atrodas uz slēdža vai ja ieslēgta iekārta tiek pievienota elektrotīklam, var notikt nelaimes gadījums.
- ▶ Pirms elektroiekārtas ieslēgšanas jānoņem visi regulēšanas piederumi un uzgriežņu atslēgas. Regulēšanas piederumi vai uzgriežņu atslēga, kas iekārtas ieslēgšanas brīdī atrodas iekārtā, var radīt traumas.
- ▶ Izvairieties no nedabiskām pozām. Darba laikā vienmēr saglabājiet līdzsvaru un nodrošinieties pret paslīdēšanu. Tas atvieglos elektroiekārtas vadību neparedzētās situācijās.
- ▶ Izvēlieties darbam piemērotu apģērbu. Darba laikā nenēsājiet brīvi plandošas drēbes un rotaslietas. Netuviniet matus, apģērbu un aizsargcimdus iekārtas kustīgajām daļām. Vaļīgas drēbes, rotaslietas un gari mati var iekerties iekārtas kustīgajās daļās.
- ▶ Ja elektroiekārtas konstrukcija ļauj pievienot putekļu nosūkšanas vai savākšanas ierīci, sekojiet, lai tā būtu pievienota un tiktu darbināta pareizi. Putekļu nosūcēja lietošana samazina putekļu kaitīgo ietekmi.
- ▶ Nezaudējiet modrību un neatkāpieties no elektroiekārtu lietošanas drošības noteikumu ieviešanas arī tad, ja lietojat attiecīgo elektroiekārtu bieži un kārtīgi to pārzināt. Neuzmanība vienā sekundes daļā var novest pie smagām traumām.

Elektroiekārtas lietošana un apkope

- ▶ Nepārslodojiet elektroiekārtu. Katram darbam izvēlieties piemērotu iekārtu. Elektroiekārta darbosies labāk un drošāk pie nominālās slodzes.
- ▶ Nelietojiet elektroiekārtu, ja ir bojāts tās slēdzis. Elektroiekārta, ko nevar ieslēgt un izslēgt, ir bīstama un nekavējoties jānodod remontā.
- ▶ Pirms iestatījumu veikšanas, aprīkojuma daļu nomainīšanas vai iekārtas novietošanas uzglabāšanā atvienojiet kontaktakšus no elektrotīkla un/vai noņemiet noņemamo akumulatoru. Šādi jūs novērsīsiet elektroiekārtas nejaūšas ieslēgšanās risku.
- ▶ Elektroiekārtu, kas netiek darbināta, uzglabājiet piemērotā vietā. Neļaujiet lietot iekārtu personām, kas nav iepazinušas ar tās funkcijām un izlasījušas šo lietošanas instrukciju. Ja elektroiekārtu lieto nekompetentas personas, tas var apdraudēt cilvēku veselību.
- ▶ Rūpīgi veiciet elektroiekārtu un to piederumu apkopi. Pārbaudiet, vai kustīgās daļas darbojas bez traucējumiem un neķeras un vai kāda no daļām nav salauzta vai bojāta un tādējādi netraucē elektroiekārtas nevainojamu darbību. Raugieties, lai pirms iekārtas lietošanas tiktu nomainītas vai saremontētas bojātās daļas. Daudzi nelaimes gadījumi notiek tāpēc, ka elektroiekārtām nav nodrošināta pareiza apkope.
- ▶ Griezējinstrumentiem vienmēr jābūt uzasinātiem un tīriem. Rūpīgi kopti griezējinstrumenti ar asām šķautnēm retāk iestrēgst un ir vieglāk vadāmi.
- ▶ Lietojiet elektroiekārtu, piederumus, maināmos instrumentus utt. saskaņā ar šiem norādījumiem. Jāņem vērā arī konkrētie darba apstākļi un veicamās operācijas īpatnības. Elektroiekārtu lietošana citiem mērķiem, nekā to ir paredzējis ražotājs, ir bīstama un var izraisīt neparedzamas sekas.
- ▶ Raugieties, lai rokturu un satveršanas virsmas būtu sausas, tīras, nenotraipītas ar eļļu un smērvielām. Ja rokturu vai satveršanas virsmas ir slidenas, nav iespējama droša elektroiekārtas vadība un kontrole neparedzamās situācijās.

Serviss

- ▶ Uzdodiet elektroiekārtas remontu veikt tikai kvalificētam personālam, kas izmanto vienīgi oriģinālās rezerves daļas. Tikai tā ir iespējams saglabāt elektroiekārtas funkcionālo drošību.



2.2 Drošības noteikumi darbam ar perforatoriem

Drošības norādījumi visiem darbiem

- ▶ **Lietojiet dzirdes aizsargaprīkojumu.** Trokšņa iedarbība var radīt dzirdes zudumu.
- ▶ **Lietojiet kopā ar iekārtu piegādātos papildu rokturus.** Kontroles zudums var kļūt par cēloni traumām.
- ▶ **Ja pastāv iespēja, ka instruments var skart apslēptus elektriskos vadus vai pašas iekārtas barošanas kabeli, iekārta vienmēr jātur aiz izolētajām rokturu virsmām.** Saskaroties ar spriegumam pieslēgtiem vadiem, spriegums tiek novadīts uz iekārtas metāla daļām, radot elektrošoka risku.

2.3 Papildnorādījumi par atskaldāmā āmura drošību

Personīgā drošība

- ▶ Lietojiet izstrādājumu un tā papildaprīkojumu tikai tad, ja tas ir nevainojamā stāvoklī.
- ▶ Nekādā gadījumā nemēģiniet ietekmēt izstrādājuma vai tā papildaprīkojuma funkcijas vai to pārveidot.
- ▶ Veicot kalšanu griestos, sienās un grīdās, ieņemiet drošu un stabilu pozu. Pēkšņa konstrukcijas caurkalšana var izraisīt līdzsvara zudumu!
- ▶ Pirms laušanas vai urbšanas darbiem, kas šķērso ceļnes daļas, atbilstoši jānodrošina attiecīgās ceļnes daļas pretējā puse. Atlūzuši materiāla fragmenti var izkrist caur atveri un/vai nokrist un savainot cilvēkus.
- ▶ Iekārtas lietotājam un tuvumā esošajām personām iekārtas lietošanas laikā jāvalkā piemērotas aizsargbrilles, aizsargķivere, dzirdes aizsarglīdzekļi un viegls elpceļu aizsardzības aprīkojums.
- ▶ Instrumenta nomainīšanas laikā valkājiet aizsargcimdus. Saskare ar maināmo instrumentu var izraisīt grieztas traumas un apdegumus.
- ▶ Valkājiet aizsargbrilles vai masku. Materiāla šķembas var savainot ķermeni un acis.
- ▶ Putekļi, kas rodas slīpēšanas, griešanas un urbšanas laikā, var saturēt bīstamas ķīmikālijas. Daži piemēri: svins vai krāsas uz svina bāzes; ķieģeļi, betons un citi mūra materiāli, dabīgais akmens un citi silikātus saturoši produkti; noteiktu veidu koksne, piemēram, skābardis, ozols un ķīmiska apstrādāta koksne; azbests vai azbestu saturoši materiāli. Nosakiet ekspozīcijas līmeni, kam pakļauts iekārtas lietotājs un tuvumā esošās personas, vadoties pēc apstrādājamo materiālu bīstamības kategorijas. Veiciet nepieciešamos pasākumus, lai ekspozīcija nesasniegtu kaitīgu līmeni, piemēram, lietojiet putekļu nosūkšanas sistēmu vai piemērotus elpceļu aizsardzības līdzekļus. Vispārīgie ekspozīcijas ierobežošanas pasākumi ir šādi:
 - ▶ darbs labi vēdināmās vietās,
 - ▶ izvairīšanās no ilgstošas saskares ar putekļiem,
 - ▶ putekļu novirzīšana projām no sejas un ķermeņa,
 - ▶ aizsargapģērba valkāšana un savārtītā apģērba mazgāšana ar ūdeni un ziepēm.
- ▶ Biežāk pārtrauciet darbu un izpildiet pirkstu vingrinājumus, kas uzlabo asinsriti. Ilgstoša darba gadījumā spēcīga vibrācija var radīt traucējumus pirkstu, roku vai plaukstu locītavu asinsvadu un nervu sistēmas funkcijās.

Elektrodrošība

- ▶ Pirms darba sākšanas pārbaudiet, vai darba zonā neatrodas nesepti elektrības vadi, gāzes vai ūdensapgādes caurules. Iekārtas ārējās metāla daļas var izraisīt elektriskās strāvas triecienu vai izraisīt eksploziju, ja darba laikā tiek bojāti elektriskie vadi, gāzes vai ūdens caurules.

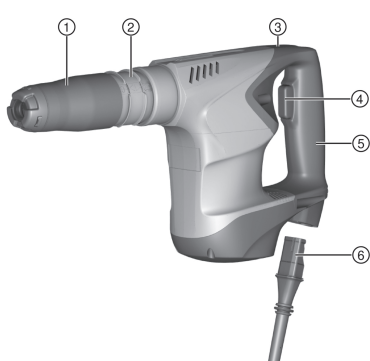
Rūpīga elektroiekārtu lietošana un apkope

- ▶ Pirms novietot izstrādājumu, nogaidiet, līdz pilnībā apstājas tā kustība.



3 Apraksts

3.1 Izstrādājuma pārskats 1



- ① Instrumenta patrona
- ② Instrumenta atbloķēšana
- ③ Vadības slēdža bloķēšana
- ④ Vadības slēdzis
- ⑤ Aizmugurējais rokturis
- ⑥ Barošanas kabelis ar kodētu, noņemamu spraudsavienojumu

3.2 Nosacījumiem atbilstīga lietošana

Aprakstītais izstrādājums ir atskaldāmais āmurs ar elektrisko barošanu. Tas ir paredzēts vidēji smagiem kalšanas darbiem betonā, mūrī un asfaltā.

- ▶ Iekārtas darbināšanai drīkst lietot tikai uz identifikācijas datu plāksnītes norādīto barošanas spriegumu un frekvenci.

3.3 Piegādes komplektācija

Atskaldāmais āmurs, lietošanas instrukcija.

Citus šim izstrādājumam izmantojamus sistēmas produktus meklējiet **Hilti Store** vai tīmekļvietnē: www.hilti.group

4 Tehniskie parametri

4.1 Atskaldāmais āmurs

Nominālā sprieguma, nominālās strāvas, frekvences un nominālās ieejas jaudas parametri ir norādīti attiecīgajai valstij paredzētajā identifikācijas datu plāksnītē.

Ja šīs iekārtas darbināšanai izmanto ģeneratoru vai transformatoru, tā izejas jaudai jābūt vismaz divreiz lielākai par nominālo ieejas jaudu, kas norādīta uz iekārtas identifikācijas datu plāksnītes. Transformatora vai ģeneratora darba spriegumam vienmēr jābūt iekārtas nominālā sprieguma diapazonā ar pielaidi +5 % vai -15 %.

Šī iekārta atbilst attiecīgajam standartam, ar nosacījumu, ka maksimālā pieļaujamā tīkla pilnā pretestība Z_{max} vietā, kur lietotāja iekārta ir pievienota publiskajam elektroapgādes tīklam, ir mazāka vai vienāda ar 0,401 Ω . Iekārtas uzstādītājs vai lietotājs ir atbildīgs par to, lai – nepieciešamības gadījumā pēc konsultēšanās ar elektroapgādes tīkla apsaimniekotāju – iekārtas pievienošanas vietā būtu nodrošināta pretestība, kas ir mazāka vai vienāda ar Z_{max} .

	TE 500
Svars saskaņā ar EPTA procedūru 01	4,9 kg
Aizsargklase saskaņā ar EN 60745	II

4.2 Informācija par troksni un vibrāciju saskaņā ar EN 62841

Šajās instrukcijās norādītie lielumi, kas raksturo skaņas spiedienu un vibrāciju, ir noteikti ar standartizētas mērījumu metodes palīdzību, un tos var izmantot elektroiekārtu savstarpējai salīdzināšanai. Tos var izmantot arī trokšņa un vibrācijas iedarbības pagaidu novērtējumam.

Norādītie parametri attiecas uz elektroiekārtas galvenajiem lietošanas veidiem. Taču, ja elektroiekārta tiek izmantota citos nolūkos, ar citiem maināmajiem instrumentiem vai netiek nodrošināta pietiekama tās apkope,



parametri var atšķirties no norādītajiem. Tas var ievērojami palielināt trokšņa un vibrācijas iedarbību visā darba laikā.

Lai precīzi novērtētu iedarbību, jāņem vērā arī laiks, cik ilgi elektroiekārta ir izslēgta vai ir ieslēgta, taču faktiski netiek darbināta. Tas var būtiski samazināt iedarbību kopējā darba laikā.

Jāparedz papildu drošības pasākumi, lai aizsargātu iekārtas lietotāju pret trokšņa un/vai vibrācijas iedarbību, piemēram, elektroiekārtas un apkope, roku turēšana siltumā, darba procesu organizācija.

Informācija par troksni

	TE 500
Skaņas jaudas līmenis (L_{WA})	100 dB(A)
Skaņas jaudas līmeņa pielaipe (K_{WA})	3 dB(A)
Skaņas spiediena līmenis (L_{pA})	89 dB
Skaņas spiediena līmeņa pielaipe (K_{pA})	3 dB(A)

Informācija par vibrāciju

	TE 500
Kalšana ($a_{h,Chetq}$)	13,5 m/s ²
Iespējamā kļūda (K)	1,5 m/s ²

5 Lietošana

5.1 Sagatavošanās darbam

IEVĒROT PIESARDZĪBU!

Traumu risks! Izstrādājuma nekontrolēta iedarbošanās.

- ▶ Atvienojiet barošanas kabeli, pirms veikt iekārtas iestatīšanu vai aprīkojuma maiņu.

Ievērojiet drošības norādījumus un brīdinājumus, kas atrodami šajā dokumentācijā un uz izstrādājuma.

5.2 Barošanas kabeļa pievienošana

IEVĒROT PIESARDZĪBU!

Traumu risks netīru kontaktu radītās noplūdes strāvas iedarbībā.

- ▶ Veiciet elektrisko spraudkontakta savienošanu ar elektroiekārtu tikai tad, kad kontakti ir tīri, sausi un nav zem sprieguma.

1. Līdz galam iespraudiet kodēto, atvienojamo elektriskā savienojuma spraudni izstrādājumā, līdz tas dzirdami nofiksējas bloķēšana.
2. Ievietojiet kontaktdakšu kontaktlīzdā.

5.3 Barošanas kabeļa atvienošana no elektroiekārtas

1. Atvienojiet iekārtu no elektrotīkla.
2. Nospiediet bloķēšanas taustiņu un izvelciet kodēto elektriskā savienojuma spraudni no līgšanas.
3. Izvelciet barošanas kabeli no iekārtas.

5.4 Instrumenta ievietošana

1. Viegli ieziediet maināma instrumenta galu ar smērvielu.
 - ▶ Lietojiet tikai oriģinālās Hilti smērvielas. Neatbilstīgas smērvielas var izraisīt iekārtas bojājumus.
2. Līdz galam ievietojiet instrumentu instrumenta patronā un pagrieziet to, līdz stiprinājums Y nofiksējas.
3. Pavelciet atpakaļ instrumenta atbloķēšanas mehānismu.
 - ▶ Tagad instrumentu var pilnībā ievietot instrumenta patronā.
4. Atlaidiet instrumenta atbloķēšanas mehānismu, lai nofiksētu instrumentu.
5. Pēc instrumenta ievietošanas pavelciet to, lai pārbaudītu, vai tas ir droši nofiksēts.
 - ▶ Izstrādājums ir gatavs lietošanai.



5.5 Instrumenta izņemšana

- ▶ Līdz galam pavelciet instrumenta atbloķēšanas mehānismu atpakaļ un izņemiet maināmo instrumentu.

5.6 Sānu roktura (papildaprīkojums) montāža

1. Pagrieziet rokturi, lai atbrīvotu sānu roktura turētāju (fiksācijas lenti).
2. No priekšpuses uzbīdīet turētāju (fiksācijas lenti) pāri instrumenta patronai līdz tam paredzētajai rievai.
3. Novietojiet sānu rokturi nepieciešamajā pozīcijā.
4. Pagrieziet rokturi, lai nospiestu sānu roktura turētāju (fiksācijas lenti).

5.7 Darbs

BRĪDINĀJUMS!

Elektrošoka risks! Ja nav instalēts zemējuma vads vai bojājumstrāvas aizsargslēdzis, iespējamās smagas traumas un apdegumi.

- ▶ Vienmēr pārbaudiet, vai objekta elektroapgādē, kas tiek nodrošināta no elektrotīkla vai ģeneratora, ir instalēts un pievienots zemējuma vads un bojājumstrāvas aizsargslēdzis.
- ▶ Nesāciet neviens iekārtas lietošanu, ja nav veikti šie drošības pasākumi.


BRĪDINĀJUMS!

Bojāta kabeļa izraisīts apdraudējums! Ja darba laikā tiek sabojāts barošanas kabelis vai pagarinātājkabelis, nekavējoties atvienojiet iekārtu un kabeli no elektrotīkla. Nepieskarieties bojājuma vietai!

- ▶ Regulāri pārbaudiet pieslēguma kabeļus. Nomainiet bojātos pagarinātājkabeļus.

Saņemiet visu darbu veikšanai apstiprinājumu no būvdarbu vadības!


5.7.1 Kalta pozicionēšana

 Kaltu iespējams novietot 24 dažādās pozīcijās (ar 15° soli). Pateicoties tam, ar plakano kaltu un profila kaltu vienmēr var strādāt optimālā darba pozīcijā.

1. Pabīdīet instrumenta atbloķēšanas mehānismu uz priekšu un turiet to šādā pozīcijā.
2. Pagrieziet instrumenta atbloķēšanas mehānismu ar kalta asmeni vēlamajā pozīcijā.
3. Atlaidiet instrumenta atbloķēšanas mehānismu, lai nofiksētu kaltu šajā pozīcijā.


5.7.2 Kalšana

1. Lēnām līdz galam nospiediet vadības slēdzi.

 Atkarībā no vadības slēdža iespiešanas dziļuma apgriezīenu skaitu var bez fiksētām pakāpēm iestatīt diapazonā līdz maksimālajam apgriezīenu skaitam.

2. Lai izslēgtu iekārtu, atlaidiet vadības slēdzi.

5.7.3 Nepārtrauktas darbības režīma ieslēgšana / izslēgšana

 Kalšanas režīmā vadības slēdzi ir iespējams nofiksēt ieslēgtā stāvoklī.





1. Nospiediet vadības slēdzi 1 un pēc tam – vadības slēdža bloķētāju 2.
2. Atlaidiet vadības slēdzi 1 un pēc tam – vadības slēdža bloķētāju 2.
 - ▶ Pēc tam izstrādājums darbosies nepārtrauktas darbības režīmā.
3. Lai izslēgtu nepārtrauktas darbības režīmu, nospiediet un pēc tam atlaidiet vadības slēdzi 1.
 - ▶ Izstrādājums izslēdzas.

6 Apkope un uzturēšana

BRĪDINĀJUMS!

Elektriskā trieciena risks! Apkopes un remonta darbu veikšana, neatvienojot iekārtu no elektrotīkla, var izraisīt smagas traumas un apdegumus.

- ▶ Pirms jebkādiem apkopes un remonta darbiem vienmēr atvienojiet tīkla kontaktdakšu!

Kopšana

- Uzmanīgi notīriet pielīpušos netīrumus.
- Uzmanīgi iztīriet ventilācijas atveres ar sausu birstīti.
- Korpusa tīrīšanai lietojiet tikai nedaudz samitrinātu drāniņu. Nedrīkst lietot silikonu saturošus kopšanas līdzekļus, kas var sabojāt plastmasas daļas.

Uzturēšana

BRĪDINĀJUMS!

Elektrošoka risks! Neprofesionāli veikts elektrisko daļu remonts var kļūt par cēloni smagām traumām un apdegumiem.

- ▶ Elektrisko daļu labošanu var veikt tikai elektrības nozares speciālisti .
- Regulāri pārbaudiet visas redzamās daļas, lai pārliecinātos, ka tās nav bojātas un funkcionē nevainojami.
- Bojājumu un/vai funkciju traucējumu gadījumā izstrādājumu nedrīkst lietot. Tas nekavējoties jānodod **Hilti**, lai veiktu remontu.
- Pēc apkopes un remonta darbiem visas aizsargierīces jāpiemontē vietā un jāpārbauda, vai tās darbojas.



Lai iekārtas lietošana būtu droša, izmantojiet tikai oriģinālās rezerves daļas un patērīna materiālus. Rezerves daļas un patērīna materiālus, kuru lietošanu kopā ar šo iekārtu mēs akceptējam, var atrast **Hilti Store** vai tīmekļvietnē: www.hilti.group.

7 Transportēšana un uzglabāšana

- Netransportējiet elektroiekārtu ar tajā ievietotu darba instrumentu.
- Glabāšanas laikā elektroiekārtas barošanas kabeļa kontaktdakšai vienmēr jābūt atvienotai.
- Glabājiet iekārtu sausā vietā, kas nav pieejama bērniem.
- Pirms atsākt iekārtas lietošanu pēc ilgās transportēšanas vai uzglabāšanas, pārbaudiet, vai tā nav bojāta.



8 Traucējumu novēršana

Ja iekārtas darbībā ir radušies traucējumi, kas nav uzskaitīti šajā tabulā vai ko jums neizdodas novērst saviem spēkiem, lūdzu, meklējiet palīdzību mūsu **Hilti** servisā.

8.1 Traucējumu diagnostika

Traucējums	Iespējamais iemesls	Risinājums
Iekārtu nevar iedarbināt.	Bojāts tīkla kabelis vai kontaktdakša.	► Uzdodiet elektrotehnikas speciālistam pārbaudīt un, ja nepieciešams, nomainīt barošanas kabeli.
	Generators atrodas gaidīšanas režīmā.	► Radiet generatora noslodzi ar cita patērētāja (piemēram, būvniecības lampas) palīdzību.
	Elektriskas problēmas.	► Uzdodiet kvalificētam elektrotehnikas speciālistam veikt iekārtas un kabeļa pārbaudi.
	Nodilušas ogles sukas.	► Uzdodiet elektrotehnikas speciālistam veikt iekārtas pārbaudi un, ja nepieciešams, ogļiņu nomainītu.
	Nav kārtīgi pievienots barošanas kabeļa spraudnis.	► Kārtīgi pievienojiet barošanas kabeli elektroiekārtai.
Nav triecienu funkcijas.	Radies iekārtas bojājums vai pienācis laiks servisa darbiem.	► Uzticiet izstrādājuma remontu tikai Hilti servisa darbiniekiem.
	Iekārta ir pārāk auksta.	► Lai sasniegtu minimālo darba temperatūru, uz brīdi novietojiet iekārtu uz virsmas un ļaujiet tai darboties tukšgaitā.
Iekārta nedarbojas ar pilnu jaudu.	Nepietiekams pagarinātājkabeļa šķērs griezumums.	► Lietojiet pagarinātājkabeli ar pietiekoši lielu šķērs griezumu.
	Kontroles slēdzis nav nospiests līdz galam.	► Līdz galam nospiediet vadības slēdzi.
Instrumentu nevar atbrīvot no fiksācijas.	Patronas fiksācija nav pilnībā atvilkta atpakaļ.	► Fiksācija līdz galam jāatvelk atpakaļ un jāizņem instruments.

9 Nokalpojušo iekārtu utilizācija

Hilti iekārtu izgatavošanā tiek izmantoti galvenokārt otrreiz pārstrādājami materiāli. Priekšnosacījums otrreizējai pārstrādei ir atbilstoša materiālu šķirošana. Daudzās valstīs **Hilti** pieņem nolietotās iekārtas otrreizējai pārstrādei. Lai saņemtu vairāk informācijas, vērsieties **Hilti** servisā vai pie sava pārdošanas konsultanta.



- Neizmetiet elektroiekārtas, elektroniskas ierīces un akumulatorus sadzīves atkritumos!

10 RoHS (direktīva par bīstamo vielu izmantošanas ierobežošanu)

Lai apskatītu bīstamo vielu tabulu, izmantojiet šādas saites: qr.hilti.com/r7770034.
Saiti uz RoHS tabulu jūs QR koda veidā atradīsiet šīs dokumentācijas beigās.

11 Ražotāja garantija

- Ar jautājumiem par garantijas nosacījumiem, lūdzu, vērsieties pie vietējā **Hilti** partnera.



Originali naudojimo instrukcija

1 Informacija apie naudojimo instrukciją

1.1 Apie šią naudojimo instrukciją

- Prieš pradėdami eksploatuoti, perskaitykite šią naudojimo instrukciją. Tai yra saugaus darbo ir patikimo naudojimo sąlyga.
- Laikykitės saugos ir įspėjamųjų nurodymų, pateiktų šioje naudojimo instrukcijoje ir ant prietaiso.
- Šią naudojimo instrukciją visada laikykite kartu su prietaisu ir prietaisą kitiems asmenims perduokite tik kartu su šia naudojimo instrukcija.

1.2 Ženklų paaiškinimas

1.2.1 Įspėjantieji nurodymai

Įspėjantieji nurodymai įspėja apie pavojus, gresiančius eksploatuojant prietaisą. Naudojami šie signaliniai žodžiai:

PAVOJUS

PAVOJUS !

- ▶ Šis žodis vartojamas norint įspėti apie tiesiogiai gresiantį pavojų, kurio pasekmės yra sunkūs kūno sužalojimai arba žūtis.

ĮSPĖJIMAS

ĮSPĖJIMAS !

- ▶ Šis žodis vartojamas norint įspėti apie galimai gresiantį pavojų, kurio pasekmės gali būti sunkūs kūno sužalojimai arba žūtis.





ATSARGIAI

ATSARGIAI !

- ▶ Šis žodis vartojamas potencialiai pavojingai situacijai žymėti, kai yra kūno sužalojimo arba materialinių nuostolių grėsmė.




1.2.2 Naudojimo instrukcijoje naudojami simboliai

Šioje naudojimo instrukcijoje naudojami tokie simboliai:

	Laikykitės naudojimo instrukcijos
	Naudojimo nurodymai ir kita naudinga informacija
	Rodo, kad juo paženklintą medžiagą galima perdirbti
	Elektrinių prietaisų ir akumuliatorių nemesti į buitines atliekas

1.2.3 Simboliai iliustracijose

Iliustracijose naudojami šie simboliai:

	Šis skaitmenys nurodo atitinkamą paveikslėlį šios naudojimo instrukcijos pradžioje.
3	Numeracija paveikslėliuose nurodo svarbius darbinis veiksmus arba darbiniais veiksams svarbias konstrukcines dalis. Tekste šie darbiniai veiksmai arba konstrukcinės dalys išskirtos atitinkamais numeriais, pvz., (3).
	Pozicijų numeriai naudojami paveikslėlyje Apžvalga – jie nurodo skyrelyje Prietaiso vaizdas esančių paaiškinimų numerius.
	Šiuo ženklu siekiama atkreipti ypatingą dėmesį į naudojamą šiuo prietaisu.



1.3 Specifiniai prietaiso simboliai

1.3.1 Simboliai ant prietaiso

Ant prietaiso gali būti naudojami šie simboliai:



Prietaisas palaiko NFC technologiją, suderinamą su „iOS“ ir „Android“ platformomis.

1.4 Informacija apie prietaisą

HILTI gaminiai yra skirti profesionalams, todėl juos naudoti, techniškai prižiūrėti ir remontuoti leidžiama tik įgaliotam instruktui personalui. Šis personalas turi būti supažindintas su visais galimais pavojais. Neapmokyto personalo, netinkamai arba ne pagal paskirtį naudojamais prietaisais ir jo reikmenys gali kelti pavojų.

Tipas ir serijos numeris yra nurodyti firminėje duomenų lentelėje.

- ▶ Serijos numerį perkelkite į toliau nurodytą lentelę. Kreipdamiesi su prietaisu susijusiais klausimais į mūsų atstovybę ar techninės priežiūros centrą, visada nurodykite šiuos prietaiso duomenis.

Prietaiso duomenys

Kirstuvas	TE 500
Karta	03
Serijos Nr.	

1.5 Atitikties deklaracija

Prisiimdami visą atsakomybę pareiškiame, kad čia yra aprašytas gaminys atitinka galiojančias direktyvas ir normas. Atitikties deklaracijos kopiją rasite šios instrukcijos gale.

Techninė dokumentacija saugoma čia:

Hilti Entwicklungsgesellschaft mbH | Zulassung Geräte | Hiltistraße 6 | 86916 Kaufering, DE

2 Sauga

2.1 Bendrieji saugos nurodymai dirbantiems su elektriniais įrankiais

⚠ ĮSPĖJIMAS Perskaitykite visus ant šio elektrinio įrankio esančius saugos nurodymus, instrukcijas, paveikslėlius ir techninius duomenis. Šių nurodymų nesilaikymas gali tapti elektros smūgio, gaisro ir / arba sunkių sužalojimų priežastimi.

Išsaugokite visus saugos nurodymus ir instrukcijas, kad galėtumėte į juos pažvelgti ateityje.

Saugos nurodymuose vartojama sąvoka „elektrinis įrankis“ apibrėžiami iš elektros tinklo maitinami elektriniai įrankiai (turintys maitinimo kabelį) ir iš akumuliatoriaus maitinami elektriniai įrankiai (be maitinimo kabelio).

Sauga darbo vietoje

- ▶ **Pasirūpinkite, kad darbo vieta visada būtų švari ir gerai apšviesta.** Netvarkinga ar blogai apšviesta darbo vieta gali tapti nelaimingų atsitikimų priežastimi.
- ▶ **Nenaudokite elektrinio įrankio sprogoje aplinkoje, kurioje yra degių skysčių, dujų arba dulkių.** Veikiantys elektriniai įrankiai kibirkščiuoja, ir kibirkštys gali uždegti dulkes arba susikaupusius garus.
- ▶ **Dirbdami su elektriniu įrankiu, neleiskite darbo zonoje būti vaikams ir pašaliniams asmenims.** Atitraukę dėmesį nuo darbo, galite nebesuvaldyti prietaiso.

Apsauga nuo elektros

- ▶ **Prietaiso maitinimo kabelio kištukas turi atitikti elektros lizdo tipą.** Kištuko jokių būdų negalima keisti. **Nenaudokite tarpinių kištukų kartu su elektriniais įrankiais, turinčiais apsauginį įžeminimą.** Nepakeisti kištukai ir tinkami elektros lizdai mažina elektros smūgio riziką.
- ▶ **Venkite kūno kontakto su įžemintais paviršiais, pvz., vamzdžiais, šildytuvais, viryklėmis ir šaldytuvais.** Kai žmogaus kūnas yra įžemintas, padidėja elektros smūgio tikimybė.
- ▶ **Elektrinius įrankius saugokite nuo lietaus ir drėgmės.** Į elektrinį įrankį patekus vandens, padidėja elektros smūgio rizika.
- ▶ **Nenaudokite elektros maitinimo kabelio ne pagal paskirtį, t. y. neneškite elektrinio įrankio paėmę už kabelio, nekabinkite jo ant kabelio, netraukite už kabelio, norėdami ištraukti kištuką iš elektros lizdo.** Elektros maitinimo kabelį saugokite nuo karščio, alyvos, aštrių briaunų ar judančių dalių. Pažeisti arba susipynę elektros maitinimo kabeliai didina elektros smūgio riziką.



- ▶ Jei su elektriniu įrankiu dirbate lauke, naudokite tik tokius ilginimo kabelius, kurie tinka ir lauko darbams. Naudojant lauko darbams tinkančius ilginimo kabelius, mažėja elektros smūgio rizika.
- ▶ Jeigu elektrinio įrankio naudojimo drėgnoje aplinkoje negalima išvengti, į elektros tinklą jįjunkite per apsauginę nuotėkio relę. Apsauginė nuotėkio relė mažina elektros smūgio riziką.

Žmonių sauga

- ▶ Dirbdami su elektriniu įrankiu, būkite atidūs, sutelkite dėmesį į darbą ir vadovaukitės sveika nuovoka. Elektrinio įrankio nenaudokite, jeigu esate pavargę arba apsvaigę nuo narkotinių medžiagų, alkoholio ar vaistų. Neatidumo akimirka dirbant su elektriniu įrankiu gali tapti rimtu sužalojimų priežastimi.
- ▶ Naudokite asmenines apsaugos priemones ir visuomet užsidėkite apsauginius akinius. Naudojant asmenines apsaugos priemones, pvz., respiratorių, neslystančius apsauginius batus, apsauginį šalną, ausines ir kt., priklausomai nuo elektrinio įrankio tipo ir naudojimo, mažėja rizika susižaloti.
- ▶ Saugokitės, kad neįjungtumėte prietaiso atsitiktinai. Prieš prijungdami prie elektros maitinimo tinklo, įdėdami akumuliatorių, imdami į rankas ar nešdami, įsitikinkite, kad elektrinis įrankis yra išjungtas. Jeigu nešdami elektrinį įrankį pirštą laikysite ant jungiklio arba įrankį įjungsitė į elektros tinklą tuomet, kai jungiklis nėra išjungtas, gali įvykti nelaimingas atsitikimas.
- ▶ Prieš įjungdami elektrinį įrankį, pašalinkite iš jo reguliavimo įrankius ar veržlinius raktus. Besisukančioje prietaiso dalyje esantis įrankis ar paliktas raktas gali tapti sužalojimų priežastimi.
- ▶ Venkite nepatogių kūno padėčių. Dirbdami stovėkite tvirtai ir visada išlaikykite kūno pusiausvyrą. Taip galėsite geriau kontroliuoti elektrinį įrankį netikėtose situacijose.
- ▶ Vilkėkite tinkamą aprangą. Nesilkėkite plačių drabužių, nesidėkite papuošalų. Saugokite plaukus, drabužius ir pirštines nuo besisukančių prietaiso dalių. Laisvus drabužius, papuošalus ir ilgus plaukus gali įtraukti besisukančios prietaiso dalys.
- ▶ Jei yra numatyta galimybė prijungti dulkių nusiurbimo ar surinkimo įrenginius, visada įsitikinkite, kad jie yra prijungti ir tinkamai naudojami. Naudojant dulkių nusiurbimo įrenginį, gali sumažėti dulkių keliama grėsmė.
- ▶ Neturėkite iliuzijų, kad visada esate saugūs, ir, skaitydami naudojimo instrukcijas, nepraleiskite skyrelių apie saugų darbą su elektriniais įrankiais, net jeigu per ilgus naudojimo metus esate su savo elektriniu įrankiu susipažinę. Neatsargus veiksmas per sekundės dalį gali tapti sunkių sužalojimų priežastimi.

Elektrinio įrankio naudojimas ir elgesys su juo

- ▶ Prietaiso neperkraukite. Naudokite Jūsų darbui tinkamą elektrinį įrankį. Su tinkamu elektriniu įrankiu dirbsite geriau ir saugiau, jei neviršysite nurodytos galios.
- ▶ Nenaudokite elektrinio įrankio su sugedusiu jungikliu. Elektrinis įrankis, kurio nebegalima įjungti ar išjungti, yra pavojingas ir jį reikia remontuoti.
- ▶ Prieš prietaisą nustatydami, keisdami reikmenis ar tiesiog padėdami į šalį, visuomet ištraukite maitinimo kabelio kištuką iš elektros lizdo ir / arba iš prietaiso išimkite akumuliatorių. Ši atsargumo priemonė leis išvengti netikėto elektrinio įrankio įsijungimo.
- ▶ Nenaudojamus elektrinius įrankius saugokite vaikams nepasiekiamoje vietoje. Neleiskite prietaisu naudotis asmenims, kurie nėra su juo susipažinę arba nėra perskaitę šios instrukcijos. Elektriniai įrankiai yra pavojingi, kai juos naudoja patirties neturintys asmenys.
- ▶ Elektrinius įrankius ir reikmenis rūpestingai prižiūrėkite. Tikrinkite, ar judančios elektrinio įrankio dalys tinkamai funkcionuoja ir niekur neklūva, ar nėra sulūžusios ir pažeistų dalių, kurios blogintų įrankio veikimą. Prieš naudojimą pažeistos prietaiso dalys turi būti suremontuotos. Blogai prižiūrimi elektriniai įrankiai yra daugelio nelaimingų atsitikimų priežastis.
- ▶ Pjovimo įrankiai visuomet turi būti aštrūs ir švarūs. Rūpestingai prižiūrėti pjovimo įrankiai su aštriomis pjovimo briaunomis mažiau stringa ir yra lengviau valdomi.
- ▶ Elektrinį įrankį, reikmenis, keičiamuosius įrankius ir t. t. naudokite pagal šias instrukcijas. Taip pat atsižvelkite į darbo sąlygas ir atliekamo darbo pobūdį. Elektrinius įrankius naudojant ne pagal paskirtį, gali kilti pavojingos situacijos.
- ▶ Prižiūrėkite rankenas, kad jos ir jų laikymo paviršiai visada būtų sausi, švarūs ir neriebaluoti. Slidžios rankenos ir jų laikymo paviršiai negali užtikrinti elektrinio įrankio saugaus naudojimo ir valdymo kontrolės nenumatytose situacijose.

Techninė priežiūra

- ▶ Savo elektrinį įrankį patikėkite remontuoti tik kvalifikuotam specialistui, tam jis turi naudoti tik originalias atsargines dalis. Taip galima užtikrinti, kad bus išlaikytas elektrinio įrankio naudojimo saugumas.



2.2 Saugos nurodymai smūginiams įrankiams

Saugos nurodymai visiems darbams

- ▶ **Dirbdami užsidėkite ausines.** Triukšmas gali pakenkti klausai.
- ▶ **Naudokite prietaiso komplekte esančias papildomas rankenas.** Prietaisui tapus nebevaldomam, galite susižaloti.
- ▶ **Vykdydami darbus, kurių metu keičiamasis įrankis gali liesti paslėptus elektros laidus ar nuosavą elektros maitinimo kabelį, prietaisą laikykite paėmę už izoliuotų rankenų paviršių.** Dėl kontakto su laidais, kuriais teka elektros srovė, metalinėse prietaiso dalyse taip pat gali atsirasti įtampa, todėl kyla elektros smūgio pavojus.

2.3 Papildomi saugos nurodymai dirbantiems su kirstuvu

Žmonių sauga

- ▶ Prietaisą ir priedus naudokite tik tada, kai jie yra techniškai tvarkingi.
- ▶ Prietaisą ir priedus draudžiama keisti ar atlikti kitokius jų pakeitimus.
- ▶ Kirsdami kaltu lubas, sienas ir grindis visada tvirtai ir saugiai stovėkite. Netikėtai prakirtę galite prarasti pusiausvyrą!
- ▶ Atlikdami sienų ar grindų pragrėžimo ar prakirtimo darbus, apsaugokite kitoje pusėje esančią zoną. Medžiagos skeveldros gali iškristi ir / arba nukristi ir sužaloti kitus žmones.
- ▶ Naudotojas ir netoliese esantys asmenys darbo su prietaisu metu turi užsidėti apsauginius akinius, apsauginį šalną, ausines ir užsidėti lengvą respiratorių.
- ▶ Keisdami įrankį, mūvėkite apsaugines pirštines. Liesdami keičiamąjį įrankį, galite susipjaustyti ir nusideginti rankas.
- ▶ Dirbdami užsidėkite akių apsaugos priemonę. Medžiagų skeveldros gali sužaloti odą ir akis.
- ▶ Šlifuojant, pjaustant ir gręžiant kylančiose dulkėse gali būti pavojingų cheminių medžiagų. Štai keli pavyzdžiai: švinas ar dažai švino pagrindu, plytos, betonas ir kiti mūro statiniai, natūralus akmuo ir kiti gaminiai, kurių sudėtyje yra silikato, tam tikra mediena, ažuolas, bukas ir chemiškai apdorota mediena, asbestas arba medžiagos, kurių sudėtyje yra asbesto. Naudodamiesi medžiagų, su kuriomis dirbama, pavojingumo klase, nustatykite poveikį dirbančiajam ir aplink esantiems asmenims. Imkitės būtinų priemonių, užtikrinančių, kad poveikis liktų saugiam lygmenyje, pvz., naudokite dulkių surinkimo sistemą arba dėvėkite tinkamas kvėpavimo apsaugos priemones. Prie bendrųjų priemonių, skirtų poveikiui sumažinti, priskiriama:
 - ▶ darbas gerai vėdinamoje srityje,
 - ▶ ilgesnio kontakto su dulkėmis vengimas,
 - ▶ dulkių nuvedimas nuo veido ir kūno,
 - ▶ apsauginių drabužių dėvėjimas ir užterštų vietų nuplovimas vandeniu ir muilu.
- ▶ Dažnai darykite pertraukas ir pratimus, užtikrinančius geresnę Jūsų pirštų kraujotaką. Dirbant ilgesnį laiką, vibracijos gali sukelti pirštų, plaštakos ar riešo sąnario kraujagyslių ar nervų sistemos pažeidimus.

Apsauga nuo elektros

- ▶ Prieš pradėdami dirbti patikrinkite, ar darbo zonoje nėra paslėptų elektros laidų, dujų ar vandentiekio vamzdžių. Netyčia pažeidus elektros kabelį, dujų ar vandens vamzdį, išorinėse metalinėse prietaiso dalyse taip pat gali atsirasti įtampa, kelianti elektros smūgio pavojų, arba gali iškilti sprogo pavojus.

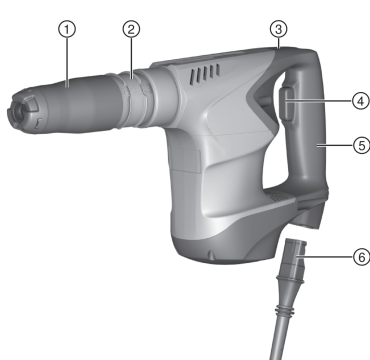
Atsargus elektrinių įrankių naudojimas ir elgesys su jais

- ▶ Prieš padėdami prietaisą palaukite, kol jis visiškai sustos.



3 Aprašymas

3.1 Prietaiso vaizdas 1



- ① Įrankio griebtuvas
- ② Įrankio atblokavimo įtaisas
- ③ Valdymo jungiklio fiksatorius
- ④ Valdymo jungiklis
- ⑤ Užpakalinė rankena
- ⑥ Elektros maitinimo kabelis su atskiriamu ko-
duotu jungties kištuku

3.2 Naudojimas pagal paskirtį

Aprašytasis prietaisas yra iš elektros tinklo maitinamas kirstuvas. Jis yra skirtas mūro ir betono vidutinio sunkumo kirtimo darbams.

- ▶ Su prietaisu dirbkite tik įjungę jį į elektros tinklą, kurio įtampa ir dažnis atitinka reikšmes, nurodytas prietaiso firminėje duomenų lentelėje.

3.3 Tiekiamas komplektas

Kirstuvas, naudojimo instrukcija.

Daugiau Jūsų turimam prietaisui skirtų sisteminių reikmenų rasite vietinėje **Hilti Store** arba tinklalapyje www.hilti.group

4 Techniniai duomenys

4.1 Kirstuvas

Nominalioji maitinimo įtampa, nominalioji srovė, dažnis ir nominali vartojamoji galia yra nurodyti Jūsų šaliai galiojančioje firminėje duomenų lentelėje.

Prietaisą maitinant iš generatoriaus arba transformatoriaus, šių įrenginių atiduodamoji galia turi būti bent dvigubai didesnė už prietaiso firminėje duomenų lentelėje nurodytą nominalią vartojamąją galią. Generatoriaus arba transformatoriaus darbinės įtampos reikšmė bet kuriuo metu turi būti prietaiso nominalios maitinimo įtampos +5 % ir -15 % ribose.

Šis prietaisas tenkina atitinkamą normą su sąlyga, kad maksimali leistina pilnai elektros tinklo varža (impedansas) Z_{maks} . kliento įrenginio prijungimo prie bendrojo naudojimo elektros tinklo taške yra mažesnė arba lygi 0,401 Ω . Elektros instaliuotojas arba prietaiso eksploatuotojas privalo užtikrinti, jeigu reikia, suderinęs su elektros tinklo operatoriumi, kad šis prietaisas būtų prijungiamas tik prie tokio elektros tinklo taško, kurio impedansas yra mažesnis arba lygus Z_{maks} .

	TE 500
Svoris pagal „EPTA-Procedure 01“	4,9 kg
Apsaugos klasė pagal EN 60745	II

4.2 Informacija apie triukšmą ir vibracijos reikšmės pagal EN 62841

Šiuose nurodymuose pateiktos garso slėgio ir vibracijos reikšmės yra išmatuotos taikant standartizuotą matavimo metodą ir gali būti naudojamos elektriniams įrankiams palyginti tarpusavyje. Jos taip pat tinka šių veiksmų poveikiui iš anksto įvertinti.

Nurodytieji duomenys yra susieti su pagrindinėmis šio elektrinio įrankio naudojimo sritimis. Jeigu elektrinis įrankis bus naudojamas kitaip, su skirtingais keičiamaisiais įrankiais arba bus nepakankamai techniškai



prižiūrimas, šie duomenys gali skirtis nuo nurodytųjų. Tai gali gerokai padidinti šių veiksmų poveikį per visą darbo laikotarpį.

Norint tiksliai įvertinti poveikį, reikėtų įvertinti ir laiką, kai elektrinis prietaisas yra išjungtas, arba, nors ir įjungtas, juo faktiškai nedirbama. Toks įvertinimas gali smarkiai sumažinti poveikio per visą darbo laikotarpį reikšmę. Imkitės papildomų saugos priemonių, kad darbuotojas būtų apsaugotas nuo triukšmo ir / arba vibracijos poveikio, pavyzdžiui, reikalaukite tinkamos elektrinio įrankio ir keičiamųjų įrankių techninės priežiūros, pasirūpinkite, kad darbuotojų rankos visada būtų šiltos, užtikrinkite tinkamą darbo organizavimą.

Informacija apie triukšmą

	TE 500
Garso galios lygis (L_{WA})	100 dB(A)
Garso galios lygio paklaida (K_{WA})	3 dB(A)
Garso slėgio lygis (L_{pA})	89 dB
Garso slėgio lygio paklaida (K_{pA})	3 dB(A)

Informacija apie vibraciją

	TE 500
Kirtimas kalnu ($a_{h,Chetq}$)	13,5 m/s ²
Paklaida (K)	1,5 m/s ²

5 Naudojimas

5.1 Pasiruošimas darbui

ATSARGIAI

Sužalojimo pavojus! Atsitiktinis prietaiso įjungimas.

- ▶ Prieš nustatydami prietaisą ar keisdami reikmenis, maitinimo kabelio kištuką ištraukite iš elektros lizdo.

Laikykites šioje instrukcijoje ir ant prietaiso pateiktų saugos nurodymų ir įspėjimų.

5.2 Įkišamo elektros maitinimo kabelio prijungimas

ATSARGIAI

Sužalojimo pavojus dėl paviršinio nuotėkio srovės, esant užterštiems kontaktams.

- ▶ Atskiriamą elektros maitinimo kabelio kištuką prie prietaiso junkite tik kai jis yra švarus, sausas ir atjungtas nuo elektros tinklo.

1. Koduotą atskiriamą elektrinę kištukinę jungtį kiškite į prietaisą, kol atsirems, o fiksatorius garsiai užsifiksuos.
2. Maitinimo kabelio kištuką įstatykite į elektros lizdą.

5.3 Įkišamo elektros maitinimo kabelio atjungimas nuo elektrinio prietaiso

1. Maitinimo kabelio kištuką ištraukite iš elektros lizdo.
2. Paspauskite fiksavimo mygtuką ir koduotą atskiriamą elektrinę kištukinę jungtį ištraukite.
3. Elektros maitinimo kabelį ištraukite iš prietaiso.

5.4 Įrankio įdėjimas

1. Keičiamojo įrankio kotą šiek tiek patepkite tirštuoju tepalu.
 - ▶ Naudokite tik originalų **Hilti** tirštąjį tepalą. Netinkamas tepalas gali prietaisui padaryti žalos.
2. Įrankį įstatykite į įrankio griebtuvą iki galo ir sukite, kol užfiksuos Y formos griebtuvus.
3. Patraukite įrankio atblokovimo įtaisą atgal.
 - ▶ Dabar įrankį galima visiškai įstatyti į įrankio griebtuvą.
4. Atleiskite įrankio atblokovimo įtaisą, kad užfiksuojumėte įrankį.
5. Patraukę už įstatyto įrankio patikrinkite, ar jis gerai užsifiksavo.
 - ▶ Prietaisas yra parengtas naudoti.



5.5 Įrankio išėmimas

- ▶ Įrankio atblokavimo įtaisą traukite atgal, kol atsirems, ir išimkite keičiamąjį įrankį.

5.6 Šoninės rankenos (užsakoma papildomai) montavimas

1. Sukdami rankeną, atlaisvinkite šoninės rankenos laikiklį (užspaudimo juosta).
2. Laikiklį (užspaudimo juosta) virš įrankio griebtuvo iš priekio stumkite pirmyn iki jam skirto griovelio.
3. Šoninę rankeną nustatykite į norimą padėtį.
4. Sukdami rankeną, šoninės rankenos laikiklį (užspaudimo juosta) priveržkite.

5.7 Darbas

ĮSPĖJIMAS

Pavojų kelia elektros smūgis! Nesant žeminimo laido ir apsauginės nuotėkio relės, gresia sunkūs sužalojimai ir nudegimai.

- ▶ Kontroliuokite, kad statybietės elektros prievade – tiek elektros tinklo, tiek ir generatoriaus – visada būtų žeminimo laidas ir apsauginė nuotėkio relė ir kad jie būtų prijungti.
- ▶ Nesant šių saugos priemonių, jokio prietaiso eksploatuoti nepradėkite.

ĮSPĖJIMAS

Pavojų kelia pažeistas kabelis! Darbo metu pažeidę elektros maitinimo arba ilginimo kabelį, nedelsdami atjunkite jį ir prietaisą nuo elektros tinklo. Pažeistų vietų nelieskite!

- ▶ Visus prijungimo kabelius reguliariai tikrinkite. Pažeistus ilginimo kabelius pakeiskite.

Iš statybos vadovybės gaukite leidimą visiems darbams vykdyti!

5.7.1 Kalto padėties nustatymas



Kaltą galima fiksuoti 24-iose padėtyse (15° žingsniu). Todėl plokščiuoju ir profiliniu kaltu visada galima dirbti pasirinkus atitinkamą optimalią darbinę padėtį.

1. Įrankio atblokavimo įtaisą stumkite pirmyn ir laikykite jį šioje padėtyje.
2. Įrankio atblokavimo įtaisą su kaltu pasukite į norimą padėtį.
3. Atleiskite įrankio atblokavimo įtaisą, kad užfiksuotumėte kaltą šioje padėtyje.

5.7.2 Kirtimas kaltu

1. Valdymo jungiklį lėtai spauskite iki galo.



Priklausomai nuo valdymo jungiklio spaudimo, sukimosi greitį galima sklandžiai reguliuoti iki maksimalios reikšmės.

2. Norėdami prietaisą išjungti, atleiskite valdymo jungiklį.

5.7.3 Nuolatinio veikimo režimo įjungimas / išjungimas



Į kirtimo kaltu režimą nustatytą valdymo jungiklį galite užfiksuoti.





1. Spauskite valdymo jungiklį 1 ir tada valdymo jungiklio fiksatorių 2.
2. Atleiskite valdymo jungiklį 1 ir tada valdymo jungiklio fiksatorių 2.
 - ▶ Dabar prietaisas veikia nuolatinio veikimo režime.
3. Norėdami išjungti nuolatinio veikimo režimą, paspauskite valdymo jungiklį 1 ir vėl jį atleiskite.
 - ▶ Prietaisas išsijungia.

6 Prižiūra ir einamasis remontas

ĮSPĖJIMAS

Pavojų kelia elektros smūgis! Prižiūra ir einamasis remontas, kai maitinimo kabelio kištukas įstatytas į elektros lizdą, gali tapti sunkių sužalojimų ir nudegimų priežastimi.

- ▶ Prieš pradėdami bet kokius prižiūros ir einamojo remonto darbus, maitinimo kabelio kištuką ištraukti iš elektros lizdo!

Prižiūra

- Atsargiai pašalinti prilipusius nešvarumus.
- Vėdinimo plyšius atsargiai valyti sausu šepetėliu.
- Korpusą valyti tik šiek tiek sudrėkinta šluoste. Nenaudoti silikono turinčių prižiūros priemonių, nes jos gali pakenkti plastikinėms detalėms.

Einamasis remontas

ĮSPĖJIMAS

Pavojų kelia elektros smūgis! Netinkamas elektrinių komponentų remontas gali tapti sunkių sužalojimų ir nudegimų priežastimi.

- ▶ Remontuoti elektrines įrenginio dalis leidžiama tik kvalifikuotiems elektrikams.
- Reguliariai tikrinti, ar matomos dalys nėra pažeistos ir ar valdymo elementai veikia nepriekaištingai.
- Pažeisto ir / arba turinčio veikimo sutrikimų prietaiso nenaudoti. Nedelsiant kreiptis į **Hilti** techninės prižiūros centrą dėl remonto.
- Baigus techninės prižiūros ir einamojo remonto darbus, sumontuoti visus apsauginius įtaisus ir patikrinti jų veikimą.



Kad eksploatacija būtų patikima, naudokite tik originalias atsargines dalis ir eksploatacines medžiagas. Mūsų aprobuotas atsargines dalis, eksploatacines medžiagas ir reikmenis savo prietaisui rasite vietinėje **Hilti Store** arba tinklalapyje www.hilti.group.

7 Transportavimas ir sandėliavimas

- Elektrinio prietaiso netransportuoti su sumontuotu įrankiu.
- Elektrinį prietaisą laikyti / sandėliuoti tik su iš elektros lizdo ištrauktu maitinimo kabelio kištuku.
- Prietaisą laikyti sausoje ir vaikams bei neįgalotiems asmenims neprieinamoje vietoje.
- Prieš naudojant po ilgesnio transportavimo arba sandėliavimo, patikrinti, ar prietaisas nėra pažeistas.



8 Pagalba sutrikus veikimui

Pasitaikius sutrikimų, kurie nėra aprašyti šioje lentelėje arba kurių negalite pašalinti patys, kreipkitės į **Hilti** techninės priežiūros centrą.

8.1 Sutrikimų paieška

Sutrikimas	Galima priežastis	Sprendimas
Prietaisas neįsijungia.	Pažeistas elektros maitinimo kabelis arba kištukas.	► Elektros maitinimo kabelį arba kištuką leiskite patikrinti elektrikui; jeigu reikia, jis jį (juos) pakeis.
	Generatorius veikia budėjimo režimu („Sleep Mode“).	► Apkraukite generatorių antruoju energijos vartotoju (pvz., statybinio šviestuvu).
	Elektrinis gedimas.	► Prietaisą ir elektros maitinimo kabelį duokite patikrinti elektros specialistui.
	Susidėvėję angliniai šepetėliai.	► Prietaisą duokite patikrinti elektrikui; jeigu reikia, jis pakeis anglinius šepetėlius.
	Įkišamas elektros maitinimo kabelis netinkamai įstatytas į lizdą.	► Įkišamą elektros maitinimo kabelį tinkamai prijunkite prie elektrinio prietaiso.
Prietaisas nesmūgiuoja.	Prietaiso gedimas arba laikas vykdyti techninės priežiūros darbus.	► Prietaisą remontuokite tik Hilti techninės priežiūros centre.
	Prietaisas per šaltas.	► Kad prietaisas pasiektų darbinę temperatūrą, padėkite jį ant apdirbamojo paviršiaus ar grindų ir leiskite veikti tuščiaja eiga.
Prietaisui nepakanka galios.	Per mažas ilginimo kabelio laidų skerspjūvio plotas.	► Naudokite tinkamo laidų skerspjūvio ploto ilginimo kabelį.
	Ne iki galo nuspaustas valdymo jungiklis.	► Valdymo jungiklį spauskite, kol atsirems.
Įrankio neįmanoma ištraukti iš griebtuvo.	Įrankio griebtuvas ne iki galo patrauktas atgal.	► Įrankio fiksatorių patraukti atgal, kol atsirems, ir išimti įrankį.

9 Utilizavimas

Hilti prietaisai yra pagaminti iš medžiagų, kurias galima naudoti antrą kartą. Būtina antrinio perdirbimo sąlyga yra tinkamas medžiagų išrūšiavimas. Daugelyje šalių **Hilti** priims Jūsų nebenaudojamą prietaisą perdirbti. Apie tai galite pasiteirauti artimiausiame **Hilti** techninės priežiūros centre arba savo prekybos konsultanto.



- Elektrinių įrankių, elektroninių prietaisų ir akumuliatorių neišmeskite į buitinius šiukšlynus!

10 RoHS (direktyva dėl pavojingų medžiagų naudojimo ribojimo)

Pavojingų medžiagų lentelę rasite spausdami šias nuorodas: qr.hilti.com/r7770034.
Nuorodą į RoHS lentelę rasite kaip QR kodą šios instrukcijos gale.

11 Gamintojo teikiama garantija

- Kilus klausimų dėl garantijos sąlygų, kreipkitės į vietinį **Hilti** partnerį.



Originální návod k obsluze

1 Údaje k návodu k obsluze

1.1 K tomuto návodu k obsluze

- Před uvedením do provozu si přečtěte tento návod k obsluze. Je to předpoklad pro bezpečnou práci a bezproblémové zacházení.
- Dodržujte bezpečnostní pokyny a varovná upozornění v tomto návodu k obsluze a na výrobku.
- Návod k obsluze mějte uložený vždy u výrobku a dalším osobám předávejte výrobek jen s tímto návodem k obsluze.

1.2 Vysvětlení značek

1.2.1 Varovná upozornění

Varovná upozornění varují před nebezpečím při zacházení s výrobkem. Byla použita následující signální slova:

NEBEZPEČÍ

NEBEZPEČÍ !

- Používá se k upozornění na bezprostřední nebezpečí, které by mohlo vést k těžkému poranění nebo k smrti.

VÝSTRAHA

VÝSTRAHA !

- Používá se k upozornění na potenciální nebezpečí, které může vést k těžkým poraněním nebo k smrti.





POZOR

POZOR !

- Používá se k upozornění na potenciálně nebezpečnou situaci, která by mohla vést k poraněním nebo k věcným škodám.


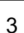


1.2.2 Symboly v návodu k obsluze

V tomto návodu k obsluze jsou použité následující symboly:

	Řiďte se návodem k obsluze
	Pokyny k používání a ostatní užitečné informace
	Zacházení s recyklovatelnými materiály
	Elektrická zařízení a akumulátory nevyhazujte do smíšeného odpadu

1.2.3 Symboly na obrázcích

Na obrázcích jsou použity následující symboly:

	Tato čísla odkazují na příslušný obrázek na začátku tohoto návodu k obsluze.
	Číslování na obrázcích odkazují na důležité pracovní kroky nebo pro pracovní kroky důležité součástí. V textu jsou tyto pracovní kroky nebo součásti zvýrazněny příslušnými čísly, např. (3) .
	Čísla pozic jsou uvedena na obrázku Přehled a odkazují na čísla z legendy v části Přehled výrobku .
	Tato značka znamená, že byste měli manipulaci s výrobkem věnovat zvláštní pozornost.

1.3 Symboly v závislosti na výrobku

1.3.1 Symboly na výrobku

Na výrobku mohou být použity následující symboly:





Nářadí podporuje NFC technologii, která je kompatibilní se systémy iOS a Android.

1.4 Informace o výrobku

Výrobky jsou určeny pro profesionální uživatele a smí je obsluhovat, ošetřovat a provádět jejich údržbu pouze autorizovaný a instruovaný personál. Tento personál musí být speciálně informován o poskytujících se nebezpečích, s nimiž by se mohl setkat. Výrobek a jeho pomůcky mohou být nebezpečné, pokud s nimi nesprávně zachází nevyškolený personál nebo pokud se nepoužívají v souladu s určeným účelem.

Typové označení a sériové číslo jsou uvedeny na typovém štítku.

- ▶ Poznamenejte si sériové číslo do následující tabulky. Údaje výrobku budete potřebovat při dotazech adresovaných našemu zastoupení nebo servisu.

Údaje o výrobku

Sekací kladivo	TE 500
Generace	03
Sériové číslo	

1.5 Prohlášení o shodě

Prohlašujeme na výhradní zodpovědnost, že zde popsaný výrobek je ve shodě s platnými směrnice a normami. Kopii prohlášení o shodě najdete na konci této dokumentace.

Technické dokumentace jsou uloženy zde:

Hilti Entwicklungsgesellschaft mbH | Zulassung Geräte | Hiltistraße 6 | 86916 Kaufering, DE

2 Bezpečnost

2.1 Všeobecné bezpečnostní pokyny pro elektrické nářadí

⚠ VAROVÁNÍ Přečtěte si všechny bezpečnostní pokyny, instrukce, vyobrazení a technické údaje, které patří k tomuto elektrickému nářadí. Nedbalost při dodržování následujících instrukcí může mít za následek úraz elektrickým proudem, požár a/nebo těžká poranění.

Všechny bezpečnostní pokyny a instrukce uschovejte pro budoucí potřebu.

Pojem „elektrické nářadí“, používaný v bezpečnostních pokynech, se vztahuje na elektrické nářadí napájené ze sítě (se síťovým kabelem) nebo na elektrické nářadí napájené z akumulátoru (bez síťového kabelu).

Bezpečnost pracoviště

- ▶ **Pracoviště musí být čisté a dobře osvětlené.** Nepořádek nebo neosvětlená místa mohou vést k úrazům.
- ▶ **S elektrickým nářadím nepracujte v prostředí s nebezpečím výbuchu, kde se nacházejí hořlavé kapaliny, plyny nebo prach.** Elektrické nářadí jiskří; od těchto jisker se mohou prach nebo páry vznítit.
- ▶ **Při práci s elektrickým nářadím zabraňte přístupu dětem a jiným osobám na pracoviště.** Rozptýlení pozornosti by mohlo způsobit ztrátu kontroly nad nářadím.

Elektrická bezpečnost

- ▶ **Síťová zástrčka elektrického nářadí musí odpovídat zásuvce. Zástrčka nesmí být žádným způsobem upravována. U elektrického nářadí s ochranným uzemněním nepoužívejte žádné adaptéry.** Neupravené zástrčky a odpovídající zásuvky snižují riziko úrazu elektrickým proudem.
- ▶ **Nedotýkejte se uzemněných povrchů, např. trubek, topení, sporáků a chladniček.** Při tělesném kontaktu s uzemněním hrozí zvýšené riziko úrazu elektrickým proudem.
- ▶ **Elektrické nářadí chraňte před deštěm a vlhkem.** Vniknutí vody do elektrického nářadí zvyšuje nebezpečí úrazu elektrickým proudem.
- ▶ **Síťový kabel používejte jen k tomu účelu, pro který je určený. Nepoužívejte ho zejména k nošení či zavěšování elektrického nářadí ani k vytahování zástrčky ze zásuvky. Síťový kabel chraňte před horkem, olejem, ostrými hranami a pohyblivými díly.** Poškozené nebo zamotané síťové kabely zvyšují riziko úrazu elektrickým proudem.
- ▶ **Pokud pracujete s elektrickým nářadím venku, používejte pouze takové prodlužovací kabely, které jsou vhodné i pro venkovní použití.** Použití prodlužovacího kabelu, který je vhodný pro venkovní použití, snižuje riziko úrazu elektrickým proudem.
- ▶ **Pokud se nelze vyvarovat provozu elektrického nářadí ve vlhkém prostředí, použijte proudový chránič.** Použití proudového chrániče snižuje riziko úrazu elektrickým proudem.



Bezpečnost osob

- ▶ **Bud'te pozorní, dávejte pozor na to, co děláte, a přístupujte k práci s elektrickým nářadím rozumně. Elektrické nářadí nepoužívejte, když jste unavení nebo pod vlivem drog, alkoholu či léků.** Okamžit nepozorností při práci s elektrickým nářadím může mít za následek vážná poranění.
- ▶ **Používejte osobní ochranné pomůcky a vždy noste ochranné brýle.** Používání osobních ochranných pomůcek, jako jsou dýchací maska proti prachu, bezpečnostní obuv s protiskluzovou podrážkou, ochranná helma nebo chrániče sluchu (podle druhu použití elektrického nářadí), snižuje riziko úrazu.
- ▶ **Zabraňte neúmyslnému uvedení do provozu. Před zapojením elektrického nářadí do sítě a/nebo vložením akumulátoru, před uchopením elektrického nářadí nebo jeho přenášením se ujistěte, že je vypnuté.** Držíte-li při přenášení elektrického nářadí prst na spínači nebo připojujete-li ho k síti zapnuté, může dojít k úrazu.
- ▶ **Dříve než elektrické nářadí zapnete, odstraňte seřizovací nástroje nebo klíč.** Nástroj nebo klíč ponechaný v otáčivém dílu nářadí může způsobit úraz.
- ▶ **Udržujte přirozené držení těla. Zaujměte bezpečný postoj a udržujte rovnováhu.** Tak si v nečekaných situacích zachováte lepší kontrolu nad výrobkem.
- ▶ **Noste vhodné oblečení. Nenoste volný oděv ani šperky. Vlasy, oděv a rukavice mějte v bezpečné vzdálenosti od pohybujících se dílů.** Volný oděv, šperky a dlouhé vlasy jimi mohou být zachyceny.
- ▶ **Pokud lze namontovat odsávání prachu nebo zařízení na zachycení prachu, zkontrolujte, zda jsou připojené a používají se správně.** Použitím odsávání prachu můžete snížit ohrožení vlivem prachu.
- ▶ **Nenechte se ukolébat falešným pocitem bezpečí a nepřekračujte bezpečnostní pravidla pro elektrické nářadí, i když jste po mnohonásobném použití s elektrickým nářadím dobře seznámeni.** Nepozorné jednání může ve zlomcích sekundy způsobit těžká zranění.

Použití elektrického nářadí a péče o něj

- ▶ **Nářadí nepřetěžujte. Pro danou práci použijte elektrické nářadí, které je pro ni určeno.** S vhodným elektrickým nářadím budete v dané výkonové oblasti pracovat lépe a bezpečněji.
- ▶ **Nepoužívejte elektrické nářadí s vadným spínačem.** Elektrické nářadí, které nelze zapnout nebo vypnout, je nebezpečné a musí se opravit.
- ▶ **Dříve než budete nářadí seřizovat, měnit jeho příslušenství nebo než ho odložíte, vytáhněte síťovou zástrčku ze zásuvky a/nebo vyjměte odnímatelný akumulátor.** Toto preventivní opatření zabrání neúmyslnému zapnutí elektrického nářadí.
- ▶ **Nepoužívané elektrické nářadí uchovávejte mimo dosah dětí. Nedovoľte, aby nářadí používaly osoby, které s ním nejsou seznámené nebo si nepřčetly tyto pokyny.** Elektrické nářadí je nebezpečné, když ho používají nezkušené osoby.
- ▶ **O elektrické nářadí a příslušenství se pečlivě starajte. Kontrolujte, zda pohyblivé díly bezvadně fungují a neváznou, zda díly nejsou prasklé nebo poškozené tak, že by byla narušena funkce elektrického nářadí. Poškozené díly nechte před použitím nářadí opravit.** Mnoho úrazů má na svědomí nedostatečná údržba elektrického nářadí.
- ▶ **Řezné nástroje udržujte ostré a čisté.** Pečlivě ošetřované řezné nástroje s ostrými řeznými hranami méně vážnou a dají se lehčeji vést.
- ▶ **Elektrické nářadí, příslušenství, nástroje atd. používejte v souladu s těmito instrukcemi. Respektujte přitom pracovní podmínky a prováděnou činnost.** Použití elektrického nářadí k jinému účelu, než ke kterému je určeno, může být nebezpečné.
- ▶ **Rukojeti a plochy rukojetí udržujte suché, čisté a beze stop oleje a tuku.** Kluzké rukojeti a plochy rukojetí nedovolují bezpečné ovládání a kontrolu elektrického nářadí v nepředvídaných situacích.

Servis

- ▶ **Elektrické nářadí svěřujte do opravy pouze kvalifikovaným odborným pracovníkům, kteří mají k dispozici originální náhradní díly.** Tak zajistíte, že elektrické nářadí bude i po opravě bezpečné.

2.2 Bezpečnostní pokyny pro kladiva

Bezpečnostní pokyny pro všechny práce

- ▶ **Používejte chrániče sluchu.** Hluk může způsobit ztrátu sluchu.
- ▶ **Používejte přidavné rukojeti dodané s nářadím.** Ztráta kontroly může vést k poranění.
- ▶ **Při práci, při které může nástroj zasáhnout skryté elektrické rozvody nebo vlastní síťový kabel, držte nářadí za izolované rukojeti.** Kontakt s vedením pod proudem může uvést pod napětí i kovové díly nářadí, což by mohlo způsobit úraz elektrickým proudem.



2.3 Dodatečné bezpečnostní pokyny pro sekací kladivo

Bezpečnost osob

- ▶ Výrobek a příslušenství používejte jen v technicky bezvadném stavu.
- ▶ Nikdy neprovádějte na výrobku nebo na příslušenství úpravy nebo změny.
- ▶ Při sekání do stropu, zdi a podlahy dbejte na bezpečný a stabilní postoj. Při náhlém proražení můžete ztratit rovnováhu!
- ▶ Při proražení otvorů zajistěte oblast na druhé straně. Vybourané části mohou vypadnout ven a/nebo doúh a poranit jiné osoby.
- ▶ Při používání nářadí noste vy i osoby zdržující se v blízkosti vhodné ochranné brýle, ochrannou helmu, chrániče sluchu a lehký respirátor.
- ▶ Při výměně nástroje noste ochranné rukavice. Při dotknutí se nástroje může dojít k řeznému poranění a popálení.
- ▶ Používejte ochranu očí. Odštipnutý materiál může způsobit poranění těla a očí.
- ▶ Prach, který vzniká při broušení, broušení smirkovým papírem, řezání a vrtání, může obsahovat nebezpečně chemické látky. Některé příklady jsou: olovo nebo barvy na bázi železa; cihly, beton a další zdivo, přírodní kámen a další výrobky s obsahem silikátů; určité druhy dřeva, jako dub, buk, a chemicky ošetřené dřevo; azbest nebo materiály obsahující azbest. Stanovte působení na pracovníka a osoby v okolí podle třídy nebezpečí materiálů, se kterými se pracuje. Proveďte potřebná opatření, abyste působení udrželi na bezpečné úrovni, jako např. použití systému pro zachycení prachu nebo nošení vhodného respirátoru. K všeobecným opatřením pro omezení působení patří:
 - ▶ práce v dobře větraném prostoru,
 - ▶ zabránění delšímu kontaktu s prachem,
 - ▶ zabránění pronikání prachu k obličeji a tělu,
 - ▶ nošení ochranného oděvu a umytí exponovaných míst vodou a mýdlem.
- ▶ Dělejte často přestávky a provádějte cvičení pro lepší prokrvení prstů. Při delší práci může vlivem silných vibrací dojít k cévním poruchám nebo k poruchám nervového systému v prstech, rukách nebo zápěstích.

Elektrická bezpečnost

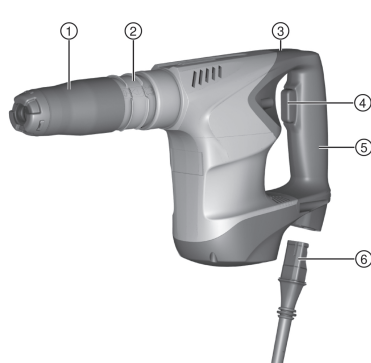
- ▶ Před zahájením práce zkontrolujte pracovní oblast, zda se v ní nenacházejí skryté elektrické kabely, plynové a vodovodní trubky. Vnější kovové části výrobku mohou způsobit úraz elektrickým proudem nebo výbuch, pokud byste poškodili elektrický kabel, plynovou nebo vodovodní trubku.

Pečlivé zacházení s elektrickým nářadím a jeho používání

- ▶ Než výrobek odložíte, počkejte, dokud se nezastaví.

3 Popis

3.1 Přehled výrobku



- ① Upínání nástroje
- ② Odjštění nástroje
- ③ Aretace ovládacího spínače
- ④ Ovládací spínač
- ⑤ Zadní rukojeť
- ⑥ Síťový kabel s kódovaným odpojitelným konektorem

3.2 Použití v souladu s určeným účelem

Popsaný výrobek je elektrické sekací kladivo. Je určené pro středně těžké sekací práce ve zdivu a betonu.

- ▶ Nářadí se smí používat pouze se síťovým napětím a síťovou frekvencí, které jsou uvedené na typovém štítku.



3.3 Obsah dodávky

Sekací kladivo, návod k obsluze.

Další systémové produkty schválené pro váš výrobek najdete v **Hilti Store** nebo na: www.hilti.group

4 Technické údaje

4.1 Sekací kladivo

Jmenovité napětí, jmenovitý proud, frekvenci a jmenovitý příkon najdete na typovém štítku určeném pro vaši zemi.

Při provozu s generátorem nebo transformátorem musí být jeho výstupní výkon minimálně dvojnásobný, než je jmenovitý příkon uvedený na typovém štítku nářadí. Provozní napětí transformátoru nebo generátoru musí být neustále v rozpětí +5 % a -15 % jmenovitého napětí nářadí.

Toto nářadí odpovídá příslušné normě za předpokladu, že maximálně přípustná impedance sítě Z_{max} v místě připojení zařízení zákazníka k veřejné síti je menší nebo rovna 0,401 Ω . Osoba provádějící instalaci nebo provozovatel nářadí musí zajistit, v případě nutnosti po konzultaci s provozovatelem sítě, že se toto nářadí připojí pouze na místo připojení s impedancí menší nebo rovnou Z_{max} .

	TE 500
Hmotnost podle EPTA-Procedure 01	4,9 kg
Třída ochrany podle EN 60745	II

4.2 Informace o hlučnosti a hodnoty vibrací podle EN 62841

Hodnoty akustického tlaku a vibrací uvedené v těchto pokynech byly změřené normovanou měřicí metodou a lze je použít k vzájemnému srovnání elektrického nářadí. Jsou vhodné také pro předběžný odhad působení. Uvedené údaje reprezentují hlavní použití elektrického nářadí. Při jiném způsobu použití, při použití s jinými nástroji nebo nedostatečné údržbě se údaje mohou lišit. Působení během celé pracovní doby se tím může výrazně zvýšit.

Pro přesný odhad působení je nutné zohlednit také dobu, kdy je elektrické nářadí vypnuté nebo kdy se více běží, ale nepoužívá se. Působení během celé pracovní doby se tím může výrazně snížit.

Stanovte doplňující bezpečnostní opatření na ochranu pracovníka před působením hluku a/nebo vibrací, například: údržbu elektrického nářadí a nástrojů, udržování rukou v teple, organizace pracovních postupů.

Informace o hlučnosti

	TE 500
Hladina akustického výkonu (L_{WA})	100 dB(A)
Nejistota pro hladinu akustického výkonu (K_{WA})	3 dB(A)
Hladina akustického tlaku (L_{pA})	89 dB
Nejistota pro hladinu akustického tlaku (K_{pA})	3 dB(A)

Informace o vibracích

	TE 500
Sekání ($a_{h,Chseq}$)	13,5 m/s ²
Nejistota (K)	1,5 m/s ²

5 Obsluha

5.1 Příprava práce

POZOR

Nebezpečí poranění! Neúmyslné spuštění výrobku.

► Před nastavováním nářadí nebo výměnou příslušenství vytáhněte síťovou zástrčku ze zásuvky.

Dodržujte bezpečnostní pokyny a varovná upozornění v této dokumentaci a na výrobku.



5.2 Připojení zásuvného síťového kabelu

POZOR

Nebezpečí poranění bludným proudem při znečištěných kontaktech.

► Odpojitelný elektrický konektor zapojte do elektrického nářadí jen v čistém, suchém stavu bez napětí.

1. Kódovaný odpojitelný elektrický konektor zasuňte až nadoraz do výrobku tak, aby aretace slyšitelně zaskočila.
2. Zastrčte síťovou zástrčku do zásuvky.

5.3 Odpojení zásuvného síťového kabelu z elektrického nářadí

1. Vytáhněte síťovou zástrčku ze zásuvky.
2. Stiskněte aretační tlačítko a odpojte kódovaný odpojitelný elektrický konektor.
3. Vytáhněte síťový kabel z nářadí.

5.4 Nasazení nástroje

1. Mírně namažte upínací stopku nástroje.
 - Používejte pouze originální tuk **Hilti**. Nesprávný tuk může způsobit poškození nářadí.
2. Nasadte nástroj až na doraz do upínání nástroje a otočte ho tak, aby zaskočil do upínání **Y**.
3. Zatáhněte odjištění nástroje dozadu.
 - Nyní lze nástroj úplně nasadit do upínání nástroje.
4. Pro zajištění nástroje uvolněte odjištění.
5. Po vložení tahem za nástroj zkontrolujte, zda je spolehlivě zajištěný.
 - Výrobek je připravený k použití.

5.5 Vymutí nástroje

- Zatáhněte odjištění nástroje až nadoraz dozadu a vymute nástroj.

5.6 Montáž postranní rukojeti (volitelné vybavení)

1. Otáčejte rukojetí pro uvolnění držáku (upínacího pásku) postranní rukojeti.
2. Nasadte držák (upínací pásek) zepředu přes upínání nástroje až do určené drážky.
3. Nastavte postranní rukojeť do požadované polohy.
4. Otáčejte rukojetí pro upnutí držáku (upínacího pásku) postranní rukojeti.

5.7 Práce

VÝSTRAHA

Nebezpečí úrazu elektrickým proudem! Chybějící zemnicí vodič a proudový chránič mohou způsobit těžká poranění a popáleniny.

- Zkontrolujte, zda je u přívodu elektrického proudu na stavbě, ať se jedná o elektrickou síť, nebo generátor, vždy k dispozici a připojený zemnicí vodič a proudový chránič.
- Bez těchto bezpečnostních opatření neuvádějte žádný výrobek do provozu.

VÝSTRAHA

Nebezpečí způsobené poškozenými kabely! Jestliže se při práci poškodí síťový nebo prodlužovací kabel, odpojte okamžitě nářadí a kabel od elektrické napájecí sítě. Nedotýkejte se poškozeného místa!

- Pravidelně kontrolujte všechna přívodní vedení. Vadné prodlužovací kabely vyměňte.

Pro práce si v plném rozsahu vyžádejte povolení od stavbyvedoucího!

5.7.1 Polohování sekáče



Sekáč je možné zaaretovat ve 24 různých polohách (po 15°). Tak lze s plochými a tvarovými sekáči vždy pracovat v optimální pracovní poloze.

1. Posuňte odjištění nástroje dopředu a přidržte ho v této poloze.



2. Otočte odjištění nástroje se sekáčem do požadované polohy.
3. Uvolněte odjištění nástroje, aby se sekáč v této poloze zaaretoval.

5.7.2 Sekání

1. Pomalu stiskněte ovládací spínač až na doraz.



Pomocí intenzity stisknutí ovládacího spínače lze plynule nastavovat otáčky až na maximální otáčky.

2. Pro vypnutí nářadí uvolněte ovládací spínač.

5.7.3 Zapnutí/vypnutí trvalého provozu



Při sekání lze spínač zajistit v zapnutém stavu.



1. Stiskněte ovládací spínač 1 a poté aretaci ovládacího spínače 2.
2. Uvolněte ovládací spínač 1 a poté aretaci ovládacího spínače 2.
 - ▶ Výrobek pracuje nyní v trvalém provozu.
3. Pro vypnutí trvalého provozu stiskněte ovládací spínač 1 a znovu ho uvolněte.
 - ▶ Výrobek se vypne.

6 Péče a údržba



VÝSTRAHA

Nebezpečí úrazu elektrickým proudem! Provádění ošetřování a údržby se zapojenou síťovou zástrčkou může mít za následek těžká poranění a popáleniny.

- ▶ Před veškerým ošetřováním a údržbou vždy vytáhněte síťovou zástrčku!

Ošetřování

- Opatrně odstraňte ulpívající nečistoty.
- Ventilační štěrbinu očistěte opatrně suchým kartáčem.
- Kryt čistěte pouze mírně navlhčeným hadrem. Nepoužívejte ošetřovací prostředky s obsahem silikonu, aby nedošlo k poškození plastových částí.

Údržba



VÝSTRAHA

Nebezpečí úrazu elektrickým proudem! Neodborné opravy elektrických součástí mohou způsobit těžká poranění a popáleniny.

- ▶ Opravy na elektrických částech smí provádět pouze odborník s elektrotechnickou kvalifikací.
- Pravidelně kontrolujte všechny viditelné díly, zda nejsou poškozené, a ovládací prvky, zda správně fungují.
- V případě poškození a/nebo poruchy funkce výrobek nepoužívejte. Nechte ho ihned opravit v servisu Hilti.



- Po ošetřování a údržbě nasadte všechna ochranná zařízení a zkontrolujte funkci.



Pro bezpečný provoz používejte pouze originální náhradní díly a spotřební materiál. Námí schválené náhradní díly, spotřební materiál a příslušenství pro svůj výrobek najdete v **Hilti Store** nebo na: www.hilti.group.

7 Přeprava a skladování

- Elektrické nářadí nepřevážte s nasazeným nástrojem.
- Elektrické nářadí skladujte vždy s odpojenou síťovou zástrčkou.
- Nářadí skladujte v suchu a mimo dosah dětí a nepovolaných osob.
- Po delší přepravě nebo delším skladování nářadí zkontrolujte, zda není poškozené.

8 Pomoc při poruchách

V případě poruch, které nejsou uvedené v této tabulce nebo které nemůžete odstranit sami, se obraťte na náš servis **Hilti**.

8.1 Odstraňování poruch

Porucha	Možná příčina	Řešení
Nářadí se nerozběhne.	Síťový kabel nebo zástrčka jsou vadné.	► Síťový kabel nebo konektor nechte zkontrolovat elektrikářem a případně vyměnit.
	Generátor je v úsporném režimu.	► Generátor zatižte druhým spotřebičem (např. stavební svítlnou).
	Elektrická závada.	► Nechte nářadí a přívodní kabel zkontrolovat kvalifikovaným elektrikářem.
	Opotřebené uhlíky.	► Nechte nářadí zkontrolovat kvalifikovaným elektrikářem a v případě potřeby vyměnit uhlíky.
Nefunguje přiklep.	Zásuvný síťový kabel není správně zapojený.	► Zapojte zásuvný síťový kabel správně do elektrického nářadí.
	Nářadí je poškozené nebo je dosažena doba nutnosti servisu.	► Výrobek nechtejete opravovat pouze v servisu Hilti .
Nářadí nemá plný výkon.	Nářadí je příliš studené.	► Pro dosažení provozní teploty nasadte nářadí krátce na podklad a nechte ho běžet naprázdno.
	Prodlužovací kabel má příliš malý průřez.	► Použijte prodlužovací kabel s dostatečným průřezem.
Nástroj nelze uvolnit z aretace.	Ovládací spínač není úplně stisknutý.	► Stiskněte ovládací spínač až nadoraz.
	Upínání nástroje není zatažené úplně dozadu.	► Zatahněte aretaci nástroje dozadu až nadoraz a nástroj vyjměte.

9 Likvidace

Nářadí **Hilti** je vyrobené převážně z recyklovatelných materiálů. Předpokladem pro recyklaci materiálů je jejich řádné třídění. V mnoha zemích odebírá **Hilti** staré nářadí k recyklaci. Informujte se v servisu **Hilti** nebo u prodejního poradce.



- Nevyhazujte elektrické nářadí, elektronická zařízení a akumulátory do smíšeného odpadu!



10 RoHS (smernice o omezení používání nebezpečných látek)

Pod následujícími odkazy najdete tabulku s nebezpečnými látkami: qr.hilti.com/r7770034.
Odkaz na tabulku RoHS najdete na konci této dokumentace jako QR kód.

11 Záruka výrobce

- ▶ V případě otázek ohledně záručních podmínek se obraťte na místního partnera **Hilti**.

Originálny návod na používanie

1 Informácie o návode na obsluhu

1.1 O tomto návode na obsluhu

- Pred uvedením do prevádzky si prečítajte tento návod na obsluhu. Je to predpokladom na bezpečnú prácu a bezproblémovú manipuláciu.
- Dodržujte bezpečnostné pokyny a varovania v návode na obsluhu a na výrobku.
- Tento návod na obsluhu uchovávajte vždy s výrobkom a ďalším osobám odovzdávajte výrobok iba s týmto návodom na obsluhu.

1.2 Vysvetlenie značiek

1.2.1 Výstražné upozornenia

Výstražné upozornenia varujú pred rizikami pri zaobchádzaní s výrobkom. Používajú sa nasledujúce signálne slová:

NEBEZPEČENSTVO

NEBEZPEČENSTVO !

- ▶ Na označenie bezprostredne hroziaceho nebezpečenstva, ktoré môže spôsobiť ťažký úraz alebo smrť.

VAROVANIE

VAROVANIE !

- ▶ Označenie možného hroziaceho nebezpečenstva, ktoré môže viesť k ťažkým poraneniam alebo usmrteniu.





POZOR

POZOR !

- ▶ Označenie novej nebezpečnej situácie, ktorá môže viesť k telesným poraneniam alebo k vecným škodám.

1.2.2 Symboly v návode na používanie

V tomto návode na používanie sa používajú nasledujúce symboly:

	Dodržiavajte návod na používanie
	Upozornenia týkajúce sa používania a iné užitočné informácie
	Zaobchádzanie s recyklovateľnými materiálmi
	Elektrické zariadenia a akumulátory nevyhadzujte do komunálneho odpadu

1.2.3 Symboly na obrázkoch

Na vyobrazeniach sa používajú nasledujúce symboly:



2	Tieto čísla odkazujú na príslušné vyobrazenie na začiatku tohto návodu na používanie.
3	Číslovanie na obrázkoch upozorňuje na dôležité pracovné kroky alebo konštrukčné prvky dôležité pre pracovné kroky. V texte sú tieto pracovné kroky alebo komponenty označené príslušnými číslami, napr. (3) .
11	Čísla pozícií sa používajú v obrázku Prehľad a odkazujú na čísla legendy v odseku Prehľad výrobkov .
	Tento symbol by mal u vás vzbudiť mimoriadnu pozornosť pri zaobchádzaní s výrobkom.

1.3 Symboly na produktoch

1.3.1 Symboly na výrobku

Na výrobku môžu byť použité nasledujúce symboly:

	Náradie podporuje NFC technológiu, ktorá je kompatibilná so systémami iOS a Android.
--	--

1.4 Informácie o výrobku

Výrobky sú určené pre profesionálneho používateľa a smie ich obsluhovať, vykonávať údržbu a opravovať iba autorizovaný, vyškolený personál. Tento personál musí byť špeciálne poučený o vznikajúcich rizikách a nebezpečenstve. Výrobok a jeho pomocné prostriedky sa môžu stať zdrojom nebezpečenstva v prípade, že s nimi bude manipulovať personál bez vzdelania, neodborným spôsobom alebo ak sa nebudú používať v súlade s určením.

Typové označenie a sériové číslo sú uvedené na typovom štítku.

- Poznamenajte si sériové číslo do nasledujúcej tabuľky. Údaje výrobku budete potrebovať pri dopytoch adresovaných nášmu zastúpeniu alebo servisu.

Údaje o výrobku

Sekacie kladivo	TE 500
Generácia	03
Sériové číslo	

1.5 Vyhlásenie o zhode

Na vlastnú zodpovednosť vyhlasujeme, že tu opísaný výrobok sa zhoduje s nasledujúcimi smernicami a normami. Vyobrazenie vyhlásenia o zhode nájdete na konci tejto dokumentácie.

Technické dokumentácie sú uložené tu:

Hilti Entwicklungsgesellschaft mbH | Zulassung Geräte | Hiltistraße 6 | 86916 Kaufering, DE

2 Bezpečnosť

2.1 Všeobecné bezpečnostné pokyny a upozornenia pre elektrické náradie

⚠ VÝSTRAHA Prečítajte si všetky bezpečnostné upozornenia, pokyny, obrázky a technické údaje týkajúce sa tohto elektrického náradia. Nedbalosť pri dodržiavaní uvedených pokynov a pokynov môže mať za následok úraz elektrickým prúdom, požiar a/alebo závažné poranenia.

Všetky bezpečnostné upozornenia a pokyny si uschovajte pre budúcu potrebu.

Pojem "elektrické náradie" uvedený v bezpečnostných upozorneniach sa vzťahuje na sieťové elektrické náradie (náradie so sieťovým káblom) alebo na akumulátorové elektrické náradie (bez sieťového kábla).

Bezpečnosť na pracovisku

- **Na pracovisku udržiavajte čistotu a dbajte na dostatočné osvetlenie.** Neporiadok na pracovisku a neosvetlené časti pracoviska môžu viesť k úrazom.
- **Nepracujte s elektrickým náradím vo výbušnom prostredí, v ktorom sa nachádzajú horľavé kvapaliny, plyny alebo prach.** Elektrické náradie vytvára iskry, ktoré môžu spôsobiť vznietenie prachu alebo výparov.
- **Pri používaní elektrického náradia dbajte na bezpečnú vzdialenosť detí a iných osôb.** Pri odpuťaní pozornosti od práce môžete stratiť kontrolu nad náradím.



Elektrická bezpečnosť

- ▶ **Pripájacia zástrčka elektrického náradia musí byť vhodná do danej zásuvky. Zástrčka sa nesmie žiadnym spôsobom meniť či upravovať. Spolu s uzemneným elektrickým náradím nepoužívajte žiadne zástrčkové adaptéry.** Nezmenené zástrčky a vhodné zásuvky znižujú riziko úrazu elektrickým prúdom.
- ▶ **Zabráňte kontaktu tela s uzemnenými povrchmi ako sú rúry, radiátory alebo vykurovacie telesá, sporáky a chladničky.** Pri uzemnení vášho tela hrozí zvýšené riziko úrazu elektrickým prúdom.
- ▶ **Chráňte elektrické náradie pred dažďom či vlhkosťou.** Vniknutie vody do elektrického náradia zvyšuje riziko úrazu elektrickým prúdom.
- ▶ **Pripojovací kábel nepoužívajte na účely, na ktoré nie je určený, napr. na prenášanie, zavesenie elektrického náradia či na vyťahovanie zástrčky zo zásuvky. Pripojovací kábel držte v bezpečnej vzdialenosti od tepla, oleja, ostrých hrán alebo pohyblivých častí.** Poškodené alebo spletené pripojovacie káble zvyšujú riziko úrazu elektrickým prúdom.
- ▶ **Pri práci s elektrickým náradím vo vonkajšom prostredí používajte iba predlžovacie káble vhodné aj do vonkajšieho prostredia.** Použitie predlžovacieho kábla vhodného do vonkajšieho prostredia znižuje riziko úrazu elektrickým prúdom.
- ▶ **Pokiaľ sa nemožno vyhnúť prevádzkovaniu elektrického náradia vo vlhkom prostredí, použite prúdový chránič.** Použitie prúdového chrániča znižuje riziko úrazu elektrickým prúdom.

Bezpečnosť osôb

- ▶ **Pri práci buďte pozorní, dávajte pozor na to, čo robíte a pri práci s elektrickým náradím postupujte s rozvahou. Elektrické náradie nepoužívajte vtedy, keď ste unavení alebo pod vplyvom drog, alkoholu alebo liekov.** Aj moment nepozornosti pri používaní elektrického náradia môže viesť k závažným poraneniam.
- ▶ **Noste prostriedky osobnej ochrannej výbavy a vždy používajte ochranné okuliare.** Nosenie osobnej ochrannej výbavy, ako je maska proti prachu, bezpečnostná obuv s protišmykovou podrážkou, ochranná prilba alebo chrániče sluchu (podľa druhu a použitia elektrického náradia), znižuje riziko poranení.
- ▶ **Zabráňte neúmyselnému uvedeniu do prevádzky. Pred pripojením na elektrické napájanie a/alebo pripojením akumulátora, pred uchopením alebo prenášaním sa uistite, že elektrické náradie je vypnuté.** Ak máte pri prenášaní elektrického náradia prst na spínači alebo ak pripojíte zapnuté náradie na elektrické napájanie, môže to viesť k vzniku úrazov a nehôd.
- ▶ **Pred zapnutím elektrického náradia odstráňte z náradia nastavovacie nástroje alebo kľúče na skrutky.** Nástroj alebo kľúč v otáčajúcej sa časti náradia môže spôsobiť úrazy.
- ▶ **Vyhýbajte sa neprirodzenej polohe a držaniu tela. Pri práci zabezpečte stabilný postoj a neustále udržiavajte rovnováhu.** Budete tak môcť elektrické náradie v neočakávaných situáciách lepšie kontrolovať.
- ▶ **Noste vhodný odev. Nenoste voľný odev alebo šperky. Vlasy, odev a rukavice udržiavajte mimo pohyblivých sa dielov.** Voľný odev, šperky alebo dlhé vlasy sa môžu zachytiť o pohyblivé sa diely.
- ▶ **Ak je možné namontovať zariadenia na odsávanie a zachytávanie prachu, presvedčite sa, že tieto zariadenia sú pripojené a používajú sa správne.** Používanie zariadenia na odsávanie prachu môže znížiť ohrozenia spôsobené prachom.
- ▶ **Neuspokojte sa pocitom falošnej bezpečnosti a nekonajte v rozpore s bezpečnostnými pravidlami pre elektrické náradie, aj keď máte dostatok skúseností s používaním elektrického náradia.** Nedbalé konanie sa môže v zlomkoch sekundy zmeniť na ťažký úraz.

Používanie a starostlivosť o elektrické náradie

- ▶ **Náradie/zariadenie/prístroj nepreťažujte.** Používajte vhodné elektrické náradie určené na prácu, ktorú vykonávate. Vhodné elektrické náradie umožňuje lepšiu a bezpečnejšiu prácu v uvedenom rozsahu výkonu.
- ▶ **Elektrické náradie s poškodeným vypínačom nepoužívajte.** Náradie, ktoré sa nedá zapnúť alebo vypnúť je nebezpečné a treba ho dať opraviť.
- ▶ **Skôr než budete náradie nastavovať, meniť časti jeho príslušenstva alebo než ho odložíte, vytiahnite sieťovú zástrčku zo zásuvky a/alebo vyberte odnímateľný akumulátor.** Toto bezpečnostné opatrenie zabraňuje neúmyselnému spusteniu elektrického náradia.
- ▶ **Nepoužívané elektrické náradie odložte na miesto chránené pred prístupom detí. Nedovoľte používať náradie osobám, ktoré s ním nie sú oboznánené alebo si neprečítali tieto inštrukcie.** Elektrické náradie je pre neskúsených používateľov nebezpečné.
- ▶ **Elektrické náradie a príslušenstvo starostlivo udržiavajte. Skontrolujte, či pohyblivé časti náradia bezchybne fungujú a nezasekávajú sa, či nie sú niektoré časti zlomené alebo poškodené v takom rozsahu, že to ovplyvňuje fungovanie elektrického náradia. Poškodené časti dajte pred použitím náradia opraviť.** Mnohé úrazy sú zapríčinené nesprávnou a nedostatočne udržiavaným elektrickým náradím.



- ▶ **Rezacie nástroje udržiajte ostré a čisté.** Starostlivo ošetrované rezacie nástroje s ostrými reznými hranami sa zasekávajú menej a ľahšie sa vedú.
- ▶ **Elektrické náradie, príslušenstvo, vkladacie nástroje atď. používajte v súlade s týmito pokynmi.** Zohľadnite pri tom pracovné podmienky a vykonávanú činnosť. Používanie elektrického náradia na iné než určené použitie môže viesť k nebezpečným situáciám.
- ▶ **Rukoväti a plochy udržiavajte suché, čisté a bez oleja alebo tuku.** Klzké rukoväti a plochy neumožňujú bezpečnú obsluhu a kontrolu elektrického náradia v nepredvídateľných situáciách.

Servis

- ▶ **Elektrické náradie nechajte opravovať iba kvalifikovaným odborným personálom a iba s použitím originálnych náhradných dielov.** Tým sa zabezpečí, že zostane zachovaná bezpečnosť elektrického náradia.

2.2 Bezpečnostné upozornenia pre kladivá

Bezpečnostné upozornenia pre všetky práce

- ▶ **Používajte chrániče sluchu.** Pôsobenie hluku môže spôsobiť stratu sluchu.
- ▶ **Používajte prídavné rukoväti dodané s náradím.** Strata kontroly nad náradím môže viesť k poraniam.
- ▶ **Keď vykonávate práce, pri ktorých sa môže vkladací nástroj dostať do styku so skrytými elektrickými vedeniami alebo s vlastným sieťovým káblom náradia, držte náradie za izolované úchopové plochy.** Kontakt s elektrickým vedením pod napätím spôsobí, že aj kovové časti náradia budú pod napätím, a tým môžu viesť k úrazu elektrickým prúdom.

2.3 Dodatočné bezpečnostné upozornenia pre používanie sekacieho kladiva

Bezpečnosť osôb

- ▶ Výrobok a príslušenstvo používajte len v technicky bezchybnom stave.
- ▶ Nikdy nevykonávajte úpravy alebo zmeny na výrobku alebo príslušenstve.
- ▶ Pri sekaní do stropu, steny a podlahy dbajte na bezpečný a stabilný postoj. Pri náhlom prerazení môžete stratiť rovnováhu!
- ▶ Pri prerážaní prácach zaistite oblasť prác aj na protiaľhlej strane. Vybúrané časti môžu vypadnúť a/alebo spadnúť a poraniť iné osoby.
- ▶ Pri používaní náradia noste vy i osoby zdržiavajúce sa v blízkosti vhodné ochranné okuliare, ochrannú prilbu, chrániče sluchu a fahký respirátor.
- ▶ Pri výmene nástroja noste ochranné rukavice. Dotyk pracovného nástroja môže viesť k rezným poraniam a k vzniku popálenín.
- ▶ Používajte ochranu očí. Odlamujúci sa materiál môže poraniť telo a oči.
- ▶ Prach vznikajúci pri brúsení, šmirgľovaní, rezaní a vŕtaní môže obsahovať nebezpečné chemikálie. Niekoľko príkladov: olovo alebo farby na báze olova; tehly, betón alebo iné murívom, prírodný kameň a iné výrobky s obsahom silikátov; určité druhy dreva, ako je dub, buk a chemicky ošetrované drevo; azbest alebo materiály s obsahom azbestu. Stanovte expozíciu používateľa a osôb v blízkosti na základe tried nebezpečnosti materiálov, s ktorými sa pracuje. Vykonajte potrebné opatrenia na udržanie expozície na bezpečnej úrovni, napríklad: použitím systému na zachytávanie prachu alebo nosením vhodnej ochrany dýchacích ciest. K všeobecným opatreniam na zníženie expozície patrí:
 - ▶ práca v dobre vetranom prostredí,
 - ▶ vyvarovanie sa dlhšieho kontaktu s prachom,
 - ▶ odvádzanie prachu od tváre a tela,
 - ▶ nosenie ochranného odevu a umývanie exponovaných oblastí vodou a mydlom.
- ▶ Robte si časté prestávky a cvičenia na lepšie prekrvenie prstov. Pri dlhšej práci sa môžu v dôsledku vibrácií vyskytnúť poruchy ciev alebo nervového systému na prstoch, rukách alebo zápästiach.

Elektrická bezpečnosť

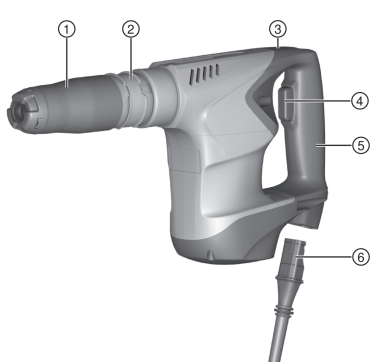
- ▶ Pred začatím prác skontrolujte pracovisko a výskyt skryto ležiacich vedení elektrického prúdu, plynu a vodovodných potrubí. Vonkajšie kovové časti výrobku môžu spôsobiť úraz elektrickým prúdom alebo výbuch v prípade náhodného poškodenia elektrického a plynového vedenia alebo vodovodného potrubia.

Starostlivé zaobchádzanie a používanie elektrického náradia

- ▶ Skôr, než výrobok odložíte, počkajte, kým sa celkom zastaví.



3.1 Prehľad výrobku



- ① Upínanie nástrojov
- ② Mechanizmus na odistenie nástroja
- ③ Aretácia ovládacieho spínača
- ④ Ovládaci spínač
- ⑤ Rukoväť vzadu
- ⑥ Sieťový kábel s kódovaným, rozpojiteľným konektorom

3.2 Používanie v súlade s určením

Opísaný výrobok je elektricky napájané sekacie kladivo. Je určené na stredne ťažké sekanie muriva a betónu.

- Nástroje sa smie používať výlučne s napájaním zo siete s napätím a frekvenciou, ktoré sú uvedené na typovom štítku.

3.3 Rozsah dodávky

Sekacie kladivo, návod na používanie.

Ďalšie systémové výrobky, ktoré sú schválené pre váš výrobok, nájdete vo vašom **Hilti Store** alebo na stránke: www.hilti.group

4 Technické údaje

4.1 Sekacie kladivo



Menovité napätie, menovitý prúd, frekvenciu a menovitý príkon nájdete na typovom štítku špecifickom pre danú krajinu.

Pri prevádzkovaní na generátore alebo transformátore musí byť jeho výstupný (podávaný) výkon minimálne dvakrát taký vysoký ako je menovitý príkon, ktorý je uvedený na typovom štítku zariadenia. Prevádzkové napätie transformátora alebo generátora musí byť neustále v rozsahu +5 % a -15 % menovitého napätia zariadenia.

Toto nástroje zodpovedá príslušnej norme za predpokladu, že maximálne prípustná impedancia siete Z_{max} v mieste pripojenia zariadenia zákazníka k verejnej sieti je menšia alebo rovná 0,401 Ω . Je na zodpovednosti osoby vykonávajúcej inštaláciu alebo na zodpovednosti prevádzkovateľa nástroja, aby (ak je to potrebné) zabezpečil po dohode s prevádzkovateľom siete, že toto nástroje sa pripojí len na prípojnom bode s jeho impedanciou menšou alebo rovnajúcou sa hodnote Z_{max} .

	TE 500
Hmotnosť podľa EPTA-Procedure 01	4,9 kg
Ochranná trieda podľa EN 60745	II

4.2 Hodnoty hluku a vibrácií podľa EN 62841

Hodnoty akustického tlaku a vibrácií uvedené v tomto návode boli namerané podľa normovanej metódy merania a dajú sa využiť na vzájomné porovnanie elektrického nástroja. Sú vhodné aj na predbežné posúdenie expozícií.

Uvedené údaje reprezentujú hlavné spôsoby použitia elektrického nástroja. Ak sa však elektrické nástroje používajú na iné účely, s odlišnými pracovnými nástrojmi alebo nemá zabezpečenú dostatočnú údržbu, údaje sa môžu odlišovať. Tým sa môže podstatne zvýšiť miera pôsobenia v priebehu celého pracovného času.



Pri presnom odhadovaní expozícií by sa mal zohľadniť aj čas, kedy bolo náradie buď vypnuté, alebo síce spustené, no v skutočnosti sa nepoužívalo. Tým sa môže podstatne znížiť miera pôsobenia v priebehu celého pracovného času.

Prijmite dodatočné bezpečnostné opatrenia na ochranu obsluhujúcej osoby pred pôsobením hluku a/alebo vibrácií, ako sú napríklad: údržba elektrického náradia a vkladacích nástrojov, udržiavanie správnej teploty rúk, organizácia pracovných procesov.

Informácie o hlučnosti

	TE 500
Úroveň akustického výkonu (L_{WA})	100 dB(A)
Neistota pri úrovni akustického výkonu (K_{WA})	3 dB(A)
Hladina akustického tlaku (L_{pA})	89 dB
Neistota pri hladine akustického tlaku (K_{pA})	3 dB(A)

Informácie o vibráciách

	TE 500
Sekanie ($a_{h, Chreq}$)	13,5 m/s ²
Neistota (K)	1,5 m/s ²

5 Obsluha

5.1 Príprava práce

POZOR

Nebezpečenstvo poranenia! Neúmyselné spustenie výrobku.

- ▶ Skôr, než začnete nastavovať náradie alebo meniť časti jeho príslušenstva, vytiahnite sieťovú koncovku z elektrickej zásuvky.

Dodržujte bezpečnostné pokyny a varovania v tejto dokumentácii a na produkte.

5.2 Pripojenie zásuvného sieťového kábla

POZOR

Nebezpečenstvo poranenia povrchovým prúdom, ak sú znečistené kontakty.

- ▶ Odpojiteľný elektrický konektor spájajte s elektrickým náradím, len ak je čistý, suchý a ak nie je pod napätím.

1. Kódovanú odpojiteľnú elektrickú koncovku zasuňte do náradia až na doraz tak, aby aretácia počutelné zaskočila.
2. Sieťovú koncovku pripojte do zásuvky.

5.3 Odpojenie zásuvného sieťového kábla od elektrického náradia

1. Vytiahnite sieťovú koncovku zo zásuvky.
2. Stlačte aretačné tlačidlo a vytiahnite kódovanú, odpojiteľnú elektrickú sieťovú koncovku.
3. Vytiahnite sieťový kábel z náradia.

5.4 Vkládanie nástroja

1. Vsúvací koniec vkladacieho nástroja mierne namažte.
 - ▶ Používajte iba originálny tuk od firmy **Hilti**. Nesprávny tuk môže spôsobiť poškodenia náradia.
2. Nasadíte nástroj až na doraz do upínania nástroja a otočte ho tak, aby zaskočil do upínania Y.
3. Potiahnite odistenie nástroja dozadu.
 - ▶ Teraz možno nástroj úplne nasadiť do upínania nástroja.
4. Na zaistenie nástroja uvoľnite odistenie.
5. Potiahnutím za nástroj skontrolujte po vložení jeho bezpečné zaistenie.
 - ▶ Výrobok je pripravený na činnosť.



5.5 Vyberanie nástroja

- Potiahnite odistenie nástroja až na doraz dozadu a vyberte nástroj.

5.6 Montáž bočnej rukoväti (voliteľná možnosť)

1. Otáčaním rukoväti uvoľnite držiak (upínací pás) bočnej rukoväti.
2. Posuňte držiak (upínací pás) cez skľučovadlo spredu až do určenej drážky.
3. Nastavte bočnú rukoväť do želanej polohy.
4. Otáčaním rukoväti upnite držiak (upínací pás) bočnej rukoväti.

5.7 Práca

VAROVANIE

Nebezpečenstvo zásahu elektrickým prúdom! Chýbajúce uzemňovacie vodiče a prúdové chrániče môžu zapríčiniť ťažké poranenia a popáleniny.

- Skontrolujte, či v elektrickom privode na mieste stavby (či zo siete alebo generátora) je vždy dostupný uzemňovací vodič a prúdový chránič a či sú pripojené.
- Bez týchto bezpečnostných opatrení neuvádzajte do prevádzky žiaden výrobok.

VAROVANIE

Nebezpečenstvo vyplývajúce z poškodeného kábla! Ak sa pri práci poškodí sieťový alebo predlžovací kábel, náradie a kábel okamžite odpojte od siete. Nedotýkajte sa poškodeného miesta!

- Pravidelne kontrolujte pripájacie vedenia. Chybné predlžovacie káble vymeňte.

Práce si dajte v plnom rozsahu schváliť vedením stavby!

5.7.1 Nastavenie polohy sekáča



Sekáč možno nastaviť v 24 rôznych pozíciách (v krokoch po 15°). Táto funkcia umožňuje prácu s plochými a tvarovanými sekáčmi vždy v optimálnej pracovnej pozícii.

1. Posuňte odistenie nástroja dopredu a pridržte ho v tejto polohe.
2. Otočte odistenie nástroja so sekáčom do požadovanej polohy.
3. Uvoľnite odistenie nástroja, aby sa sekáč v tejto polohe zaaretoval.

5.7.2 Sekanie

1. Zatlačte pomaly ovládací spínač.



V závislosti od odsadenia ovládacieho spínača sa môžu otáčky plynulo nastaviť na maximálne otáčky.

2. Na vypnutie náradia uvoľnite ovládací spínač.

5.7.3 Zapnutie/vypnutie trvalého chodu



Ovládací spínač môžete v režime sekania zaaretovať v zapnutom stave.





1. Stlačte ovládací spínač 1 a potom aretáciu ovládacieho spínača 2.
2. Uvoľnite ovládací spínač 1 a potom aretáciu ovládacieho spínača 2.
 - ▶ Výrobok teraz pracuje v režime trvalej prevádzky.
3. Na vypnutie trvalej prevádzky stlačte ovládací spínač 1 a znovu ho uvoľnite.
 - ▶ Výrobok sa vypne.

6 Starostlivosť a údržba/oprava

VAROVANIE

Nebezpečenstvo úrazu elektrickým prúdom! Vykonávanie údržby a opravy so zapojenou sieťovou zástrčkou môže viesť k závažným poraneniam a k popáleninám.

- ▶ Pred akoukoľvek údržbou a opravami vždy vytiahnite sieťovú zástrčku zo zásuvky!

Starostlivosť

- Pevne zachytenú nečistotu opatrne odstráňte.
- Vetracie štrbiny opatrne vyčistíte suchou kefou.
- Kryt čistíte len mierne navlhčenou handrou. Nepoužívajte žiadne prostriedky na ošetrovanie obsahujúce silikón, pretože tie môžu poškodiť plastové časti.

Údržba a oprava

VAROVANIE

Nebezpečenstvo zásahu elektrickým prúdom! Neodborné opravy na elektrických častiach môžu viesť k závažným poraneniam a popáleninám.

- ▶ Opravy elektrických častí smie vykonávať iba školený elektromechanik.
- Pravidelne kontrolujte všetky viditeľné časti a výskyt poškodení, ako aj bezchybné fungovanie ovládacích prvkov.
- V prípade poškodenia a/alebo poruchy funkcie výrobok nepoužívajte. Ihneď ho dajte opraviť v servise firmy **Hilti**.
- Po prácach spojených so starostlivosťou a udržiavaním náradia pripevnite všetky ochranné zariadenia a skontrolujte ich fungovanie.



Aby bola zaistená bezpečná prevádzka, používajte len originálne náhradné súčiastky a spotrebné materiály. Nami schválené náhradné súčiastky, spotrebné materiály a príslušenstvo pre váš výrobok nájdete vo vašom **Hilti Store** alebo na stránke: www.hilti.group.

7 Doprava a skladovanie

- Elektrické náradie neprenášajte s pripojeným nástrojom.
- Elektrické náradie vždy odkladajte s vytiahnutou sieťovou koncovkou.
- Náradie skladujte na suchom mieste a nedostupnom pre deti a nepovolane osoby.
- Elektrické náradie po dlhšej preprave alebo skladovaní skontrolujte pred použitím, či nie je poškodené.



8 Pomoc v prípade porúch

Pri výskyte takých porúch, ktoré nie sú uvedené v tejto tabuľke, alebo ktoré nedokážete odstrániť sami, sa obráťte na náš servis **Hilti**.

8.1 Poruchy a ich odstraňovanie

Porucha	Možná príčina	Riešenie
Náradie sa nerozbehne.	Sieťový kábel alebo koncovka sú chybné.	► Sieťový kábel alebo koncovku nechajte skontrolovať alebo vymeniť kvalifikovanému elektrikárovi.
	Generátor je v režime spánku.	► Zapažte generátor druhým spotrebičom (napríklad svetidlom na stavby).
	Elektrická porucha.	► Opravu náradia a prívodu zverte kvalifikovanému elektrikárovi.
	Uhlíkové kefky sú opotrebované.	► Náradie dajte skontrolovať kvalifikovanému elektrikárovi a v prípade potreby nechajte vymeniť uhlíky.
	Zásuvný sieťový kábel nie je správne zasunutý.	► Pripojte správne zásuvný sieťový kábel na elektrickom náradí.
Žiadny príklep.	Poškodenie náradia alebo uplynul čas, po ktorom treba vykonať servisný zásah.	► Výrobok dajte opraviť iba v servisnom stredisku Hilti .
	Náradie je príliš studené.	► Položte náradie na chvíľu na podklad a nechajte ho bežať naprázdno, aby sa zohrialo na prevádzkovú teplotu.
Náradie nedosahuje plný výkon.	Predĺžovací kábel nedostatočný prierez.	► Použite predĺžovací kábel s dostatočným prierezom.
	Vypínač nie je dostatočne stlačený.	► Stlačte vypínač až na doraz.
Nástroj sa nedá uvoľniť zo zaisťovacieho mechanizmu.	Objímka skľučovadla nebola úplne potiahnutá dozadu.	► Zaisťovací mechanizmus nástroja potiahnite až na doraz dozadu a nástroj vyberte.

9 Likvidácia

Náradie značky **Hilti** je z veľkej časti vyrobené z recyklovateľných materiálov. Predpokladom na opakované využitie recyklovateľných materiálov je ich správne separovanie. V mnohých krajinách firma **Hilti** odoberie vaše staré náradie na recykláciu. Opýtajte sa na to v zákaznickom servise firmy **Hilti** alebo u svojho obchodného poradcu.



- Elektrické prístroje, elektronické zariadenia a akumulátory nedávajte do domáceho odpadu!

10 RoHS (smernica o obmedzení používania určitých látok v elektrických a elektronických zariadeniach)

Pod nasledujúcim odkazom nájdete tabuľku nebezpečných látok: qr.hilti.com/r7770034.

Odkaz na tabuľku RoHS nájdete na konci tejto dokumentácie ako QR kód.

11 Záruka výrobcu

- Ak máte akékoľvek otázky týkajúce sa záručných podmienok, obráťte sa, prosím, na vášho lokálneho partnera spoločnosti **Hilti**.



Eredeti használati utasítás

1 A használati utasításra vonatkozó adatok

1.1 A használati utasításhoz

- Üzembe helyezés előtt feltétlenül olvassa el a használati utasítást. Ez a biztonságos munkavégzés és a hibamentes kezelés előfeltétele.
- Vegye figyelembe a használati utasításban és a terméken található biztonsági utasításokat és figyelmeztetéseket.
- Ezt a használati utasítást mindig tárolja a termék közelében, és a terméket csak ezzel a használati utasítással együtt adja tovább harmadik személynek.

1.2 Jelmagyarázat

1.2.1 Figyelmeztetések

A figyelmeztetések a termék használata során előforduló veszélyekre hívják fel a figyelmet. A következő figyelmeztetéseket használjuk:

VESZÉLY

VESZÉLY !

- ▶ Súlyos testi sérüléshez vagy halálhoz vezető közvetlen veszély esetén.

FIGYELMEZTETÉS

FIGYELMEZTETÉS !

- ▶ Ezzel a szóval hívjuk fel a figyelmet egy olyan lehetséges veszélyre, amely súlyos személyi sérüléshez vagy halálhoz vezethet.

VIGYÁZAT

VIGYÁZAT !

- ▶ Ezzel a szóval hívjuk fel a figyelmet egy lehetséges veszélyhelyzetre, amely személyi sérüléshez vagy anyagi kárhoz vezethet.

1.2.2 Szimbólumok a használati utasításban

A jelen használati utasítás a következő szimbólumokat használja:

	Tartsa be a használati utasítást
	Alkalmazási útmutatók és más hasznos tudnivalók
	Újrahasznosítható anyagokkal való bánásmód
	Az elektromos gépeket és akkukat ne dobja a háztartási szemétkébe

1.2.3 Az ábrákon használt szimbólumok

Az ábrákon a következő szimbólumokat használjuk:

	Ezek a számok a jelen használati utasítás elején található ábrákra vonatkoznak.
	Az ábrák számozása a fontos munkalépésekre vagy fontos részegységekre utal. A szövegben ezeket a munkalépéseket vagy részegységeket megfelelő számokkal emelik ki, pl. (3) .
	Az áttekintő ábrában használt pozíciószámok a termék áttekintésére szolgáló szakasz jelmagyarázatában lévő számokra utalnak.
	Ez a jel hívja fel a figyelmét arra, hogy a termék használata során különös odafigyeléssel kell eljárnia.



1.3 Termékhez kötődő szimbólumok

1.3.1 Szimbólumok a terméken

A terméken a következő szimbólumokat használhatjuk:



A készülék NFC technológiás, iOS és Android platformokkal kompatibilis adatátvitelhez használható.

1.4 Termékinformációk

A termékeket kizárólag szakember általi használatra szánták és a gépet csak engedéllyel rendelkező, szakképzett személy használhatja, javíthatja. Ezt a személyt minden lehetséges kockázati tényezőről tájékoztatni kell. A termék és tartozékai könnyen veszélyt okozhatnak, ha nem képzett személy dolgozik velük, vagy nem rendeltetésszerűen használják őket.

A típusjelölés és a sorozatszám a típus táblázatban található.

- ▶ Jegyezze fel a sorozatszámot a következő táblázatba. Amennyiben kérdéssel fordul a képviselőünkhöz vagy a szervizhez, szüksége lesz ezekre a termékadatokra.

Termékadatok

Vésőkalapács	TE 500
Generáció	03
Sorozatszám	

1.5 Megfelelőségi nyilatkozat

Kizárólagos felelősségünk tudatában kijelentjük, hogy ez a termék megfelel az érvényben lévő irányelveknek és szabványoknak. A megfelelőségi nyilatkozat másolatát a dokumentáció végén találja.

A műszaki dokumentáció helye:

Hilti Entwicklungsgesellschaft mbH | Zulassung Geräte | Hiltistraße 6 | 86916 Kaufering, DE

2 Biztonság

2.1 Általános biztonsági tudnivalók az elektromos kéziszerszámokhoz

⚠ FIGYELMEZTETÉS Olvasson el minden biztonsági tudnivalót és utasítást, illusztrált anyagot és műszaki adatot, amelyet ehhez az elektromos kéziszerszámhoz mellékeltek. Az alábbi biztonsági tudnivalók és utasítások betartásának elmulasztása áramütéshez, tűzhöz és/vagy súlyos testi sérüléshez vezethet.

Őrizzen meg minden biztonsági tudnivalót és utasítást a jövőbeni használathoz.

A biztonsági utasításokban használt „elektromos kéziszerszám” fogalom hálózatról üzemelő elektromos kéziszerszámokra (tápkábelrel együtt értve) és akkumulátoros elektromos kéziszerszámokra (tápkábel nélkül) vonatkozik.

Munkahelyi biztonság

- ▶ **Tartsa tisztán a munkahelyét és jól világítsa meg.** Rendetlen munkahelyek és megvilágítatlan munkaterületek balesetekhez vezethetnek.
- ▶ **Ne dolgozzon az elektromos kéziszerszámmal olyan robbanásveszélyes környezetben, ahol éghető folyadékok, gázok vagy porok vannak.** Az elektromos kéziszerszámok szikrákat bocsáthatnak ki, amelyek meggyújthatják a port vagy a gyúlékony gőzöket.
- ▶ **Tartsa távol a gyerekeket és az idegen személyeket a munkahelytől, ha az elektromos kéziszerszámot használja.** Ha elvonják a figyelmét a munkáról, könnyen elvesztheti az uralmát a berendezés felett.

Elektromos biztonsági előírások

- ▶ **Az elektromos kéziszerszám csatlakozódugójának illeszkednie kell a dugaszolóaljzatba. A csatlakozódugót semmilyen módon sem szabad megváltoztatni. Védőföldeléssel ellátott elektromos kéziszerszámokhoz ne használjon csatlakozóadaptert.** Az eredeti csatlakozódugó és a hozzá illeszkedő csatlakozóaljzat csökkenti az áramütés kockázatát.
- ▶ **Ne érjen hozzá földelt felületekhez, például csövekhez, fűtőtestekhez, tűzhelyekhez és hűtőszekrényekhez.** Az áramütés veszélye megnövekszik, ha a teste le van földelve.
- ▶ **Tartsa távol az elektromos kéziszerszámokat az esőtől és a nedvesség hatásaitól.** Ha víz hatol be az elektromos kéziszerszámba, az növeli az áramütés kockázatát.



- ▶ **Ne használja a csatlakozókábelt a rendeltetésétől eltérő célokra, vagyis az elektromos kéziszerszámot soha ne hordozza vagy akassza fel a kábelnél fogva, és soha ne húzza ki a hálózati csatlakozódugót a kábelnél fogva. Tartsa távol a csatlakozókábelt hőforrásoktól, olajtól, éles élektől és sarkaktól, mozgó alkatrészekről.** A sérült vagy összetekert csatlakozókábel növeli az áramütés kockázatát.
- ▶ **Ha az elektromos kéziszerszámmal szabadban dolgozik, akkor csak a szabadban való használatra engedélyezett hosszabbítókábelt használjon.** A kültérre is alkalmas hosszabbítókábel használata csökkenti az áramütés kockázatát.
- ▶ **Használjon hibaáram-védőkapcsolót, ha az elektromos kéziszerszám nedves környezetben történő üzemeltetése nem kerülhető el.** A hibaáram-védőkapcsoló használata csökkenti az áramütés kockázatát.

Személyi biztonsági előírások

- ▶ **Munka közben mindig figyeljen, ügyeljen arra, amit csinál, és meggondoltan dolgozzon az elektromos kéziszerszámmal.** Ne használja az elektromos kéziszerszámot, ha fáradt, illetve ha kábítószert, alkoholt vagy gyógyszer hatása alatt áll. Az elektromos kéziszerszámmal végzett munka közben már egy pillanatnyi figyelmetlenség is komoly sérülésekhez vezethet.
- ▶ **Viseljen személyi védőfelszerelést, és mindig viseljen védőszemüveget.** Az elektromos kéziszerszám alkalmazásának megfelelő személyi védőfelszerelések, úgymint porvédő álarc, csúszásbiztos védőcipő, védősapka és fülvédő használata csökkenti a személyi sérülések kockázatát.
- ▶ **Kerülje az elektromos kéziszerszám akaratlan üzembe helyezését. Mielőtt az elektromos kéziszerszámot az elektromos hálózatra és/vagy az akkumulátorra csatlakoztatja, vagy felveszi, ill. szállítja, győződjön meg arról, hogy a gép ki van kapcsolva.** Ha az elektromos kéziszerszám felemelése közben az újjat a kapcsolón tartja, vagy ha a gépet bekapcsolt állapotban csatlakoztatja az áramforráshoz, az balesethez vezethet.
- ▶ **Az elektromos kéziszerszám bekapcsolása előtt feltétlenül távolítsa el a beállító szerszámokat vagy csavar kulcsokat.** Az elektromos kéziszerszám forgó részeiben felejtett beállító szerszám vagy csavar kulcs sérüléseket okozhat.
- ▶ **Kerülje el a normálistól eltérő testtartást. Ügyeljen arra, hogy mindig biztosan álljon és megtartsa az egyensúlyát.** Így az elektromos kéziszerszám felett váratlan helyzetekben is jobban tud uralkodni.
- ▶ **Viseljen megfelelő munkaruhát. Ne viseljen bő ruhát vagy ékszereket. Tartsa távol a haját, a ruháját és a kesztyűjét a mozgó részekről.** A bő ruhát, az ékszereket és a hosszú haját a mozgó alkatrészek magukkal rántathatják.
- ▶ **Ha az elektromos kéziszerszámra fel lehet szerelni a por elszívásához és összegyűjtéséhez szükséges berendezéseket, ellenőrizze, hogy azok megfelelő módon hozzá vannak kapcsolva a szerszámmhoz, és rendeltetésüknek megfelelően működnek.** Porelszívó egység használata csökkenti a munka során keletkező por veszélyes hatását.
- ▶ **Ne ringassa magát hamis biztonságérzetbe, és ne hagyja figyelmen kívül az elektromos kéziszerszám biztonsági előírásait, akkor sem, ha az elektromos kéziszerszámot hosszú ideje használja, és ezáltal jól ismeri.** A figyelmetlen kezelés a másodperc tört része alatt súlyos sérülésekhez vezethet.

Az elektromos kéziszerszám használata és kezelése

- ▶ **Ne terhelje túl a gépet. Munkájához csak az arra szolgáló elektromos kéziszerszámot használja.** A megfelelő elektromos kéziszerszámmal a megadott teljesítménytartományon belül jobban és biztonságosabban lehet dolgozni.
- ▶ **Ne használjon olyan elektromos kéziszerszámot, amelynek a kapcsolója elromlott.** Egy olyan elektromos kéziszerszám, amelyet nem lehet sem be-, sem kikapcsolni, veszélyes, és meg kell javíttatni.
- ▶ **A gép beállítása, a tartozékok cseréje vagy a gép lehelyezése előtt húzza ki a csatlakozódugót a csatlakozójelzőből és/vagy vegye ki a kivehető akkut a gépből.** Ez az elővigyázatossági intézkedés meggátolja a gép szándékolatlan üzembe helyezését.
- ▶ **A használaton kívüli elektromos kéziszerszámokat olyan helyen tárolja, ahol azokhoz gyerekek nem férhetnek hozzá. Ne hagyja, hogy olyan személyek használják az elektromos kéziszerszámot, akik nem ismerik a szerszámot, vagy nem olvasták el ezt az útmutatót.** Az elektromos kéziszerszámok veszélyesek, ha azokat gyakorlatlan személyek használják.
- ▶ **Mindig gondosan tartsa karban az elektromos kéziszerszámot és a tartozékokat. Ellenőrizze, hogy a mozgó alkatrészek kifogástalanul működnek-e, nincsenek-e beszorulva, és nincsenek-e eltörve vagy megrongálódva olyan alkatrészek, amelyek hátrányosan befolyásolhatják az elektromos kéziszerszám működését. Használat előtt javíttassa meg a gép megrongálódott alkatrészeit.** Sok balesetnek a rosszul karbantartott elektromos kéziszerszám az oka.
- ▶ **Tartsa tisztán és élesen a vágószerszámokat.** Az éles vágóélekkel rendelkező és gondosan ápolott vágószerszámok ritkábban ékelődnek be, és azokat könnyebben lehet vezetni és irányítani.
- ▶ **Az elektromos kéziszerszámokat, tartozékokat, betétszerszámokat stb. a jelen utasítások figyelembevételével használja. Vegye figyelembe a munkafeltételeket és a kivitelezendő munka**



sajátosságait. Az elektromos kéziszerszám eredeti rendeltetésétől eltérő célokra való alkalmazása veszélyes helyzetekhez vezethet.

- ▶ **A markolatot és fogófelületeket tartsa száraz, tiszta, olaj- és zsírmentes állapotban.** A csúszós markolatok és fogófelületek nem teszik lehetővé az elektromos kéziszerszám biztonságos üzemeltetését és ellenőrzését az előre nem látható helyzetekben.

Szerviz

- ▶ **Az elektromos kéziszerszámot csak szakképzett személyzet javíthatja, kizárólag eredeti pótalkatrészek felhasználásával.** Ez biztosítja, hogy az elektromos kéziszerszám biztonságos maradjon.

2.2 Biztonsági tudnivalók kalapácsolóhoz

Biztonsági tudnivalók minden munkához

- ▶ **Viseljen fülvédőt.** A zaj halláskárosodáshoz vezethet.
- ▶ **Használja a géppel együtt szállított kiegészítő fogantyút.** A gép feletti ellenőrzés elvesztése sérülést okozhat.
- ▶ **A gépet a fogantyú szigetelt felületénél fogja meg, ha olyan munkát végez, amelynek során a betétszám rejtett elektromos vezetékét vagy a saját elektromos csatlakozókábelét találhatja el.** Ha a gép elektromos feszültséget vezető vezetékhez ér, akkor a gép fémrészei feszültség alá kerülhetnek és ez elektromos áramütéshez vezethet.

2.3 Vésőkalapács kiegészítő biztonsági tudnivalók

Személyi biztonsági előírások

- ▶ A terméket és tartozékok csak kifogástalan műszaki állapotban használja.
- ▶ Soha ne végezzen módosításokat vagy változtatásokat a terméken vagy a tartozékokon.
- ▶ Mennyezet, fal vagy padló vésésekor ügyeljen arra, hogy biztosan és szilárdan álljon. Egy hirtelen áttörés során könnyen elveszítheti egyensúlyát!
- ▶ Áttörési munkáknál biztosítsa a munkavégzés helyszínével szemközti területet. A letöredező darabok ki- és/vagy leeshetnek, és személyi sérüléseket okozhatnak.
- ▶ A gép használata során Ön és a gép közelében tartózkodó személyek mindig viseljenek megfelelő védőszemüveget, védősisakot, fülvédőt és könnyű légzőmaszkot.
- ▶ A szerszámcseré során viseljen védőkesztyűt. A betétszám megérintése vágási és égési sérüléseket okozhat.
- ▶ Viseljen védőszemüveget. A szilánkok a szem és egyéb testrészek sérüléseit okozhatják.
- ▶ A csiszolás, smirglizés, vágás és fúrás során keletkező por ártalmas vegyi anyagokat tartalmazhat. Néhány példa: ólom vagy ólombázisú festékek; téglá, beton és egyéb falazati termékek, természetes és egyéb szilikáttartalmú termékek; Bizonyos fafajták, például tölgy, bükk és vegyszerrel kezelt fa; Azbeszt vagy azbeszttartalmú anyagok. Határozza meg a gépkezelő és a környezetében tartózkodó személyek kitétségi szintjét azon anyagok veszélyességi osztálya révén, amelyeken munkát végeznek. Tegye meg a szükséges óvintézkedéseket az expozíció biztonságos szinten tartása érdekében, például: porgyűjtő rendszer használata vagy megfelelő légzésvédő viselése. A kitétség a következő általános intézkedésekkel csökkenthető:
 - ▶ Munkavégzés jól szellőző területen
 - ▶ Porral való hosszabb érintkezés elkerülése,
 - ▶ Vezesse el a port a testtől és a fejtől,
 - ▶ Viseljen védőruhát és a szennyeződésnek kitétt területeket tisztítsa meg vízzel és szappannal.
- ▶ Tartson gyakran szünetet és végezzen gyakorlatokat ujjainak jobb vérellátása érdekében. Hosszabb idejű munkavégzés esetén az erős rezgések zavart okozhatnak az ujjak, a kéz és a csukló véredényeiben vagy idegrendszerében.

Elektromos biztonsági előírások

- ▶ A munka megkezdése előtt ellenőrizze a munkaterületet, hogy nincsenek-e rejtett elektromos vezetékek, ill. gáz- és vízcsövek. A termék külső részén található fém alkatrészek áramütést vagy robbanást okozhatnak, ha a termék használata közben megsért egy elektromos vezetékét, illetve gáz- vagy vízcsövet.

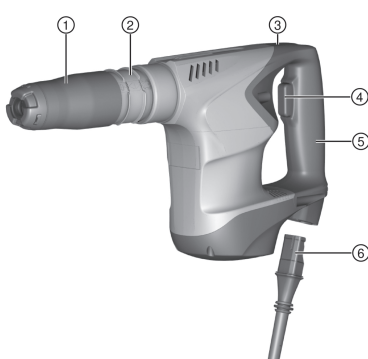
Az elektromos kéziszerszámok gondos kezelése és használata

- ▶ Lehelyezés előtt várjon, míg a termék leáll.



3 Leírás

3.1 Termékáttekintés



- ① Tokmány
- ② Szerszám kireteszelése
- ③ Indítókapcsoló reteszelése
- ④ Indítókapcsoló
- ⑤ Hátsó markolat
- ⑥ Hálózati kábel kódolt, bontható csatlakozó-dugóval

3.2 Rendeltetésszerű használat

Az ismertetett termék egy elektromos vésőkalapács. Falazatban és betonban végzett közepesen nehéz vésési munkákhoz használható.

► Csak a típusábrán feltüntetett feszültségen és frekvencián szabad a gépet üzemeltetni.

3.3 Szállítási terjedelem

Vésőkalapács, használati utasítás

A termékéhez jóváhagyott további rendszertartozékokat a **Hilti Store** helyen vagy a következő oldalon talál: www.hilti.group

4 Műszaki adatok

4.1 Vésőkalapács

A gép névleges feszültségét, névleges áramfelvételét, frekvenciáját, valamint névleges teljesítményfelvételét az adott országra vonatkozó típusábrán találja.

Generátorral vagy transzformátorral való működtetés esetén annak leadott teljesítménye legyen legalább a duplája a gép típusábráján megadott névleges teljesítményfelvételi értékeknek. A transzformátor vagy a generátor üzemi feszültsége mindig essen a gép névleges feszültségfelvételi értékeinek +5%-os és -15%-os határa közé.

A gép csak azzal a feltétellel felel meg a megfelelő szabvány előírásainak, hogy az ügyfél berendezésének csatlakozási pontján a közcélú elektromos hálózat Z_{max} maximális hálózati impedanciája kisebb egyenlő 0,401 Ω. A gép telepítőjének vagy üzemeltetőjének felelőssége, hogy – ha szükséges, a hálózat üzemeltetőjével folytatott egyeztetés után – a gép csatlakoztatása csak a fenti Z_{max} vagy annál kisebb impedanciájú csatlakozási pontra történjen.

	TE 500
A 01 EPTA-eljárásnak megfelelő tömeg	4,9 kg
EN 60745 szerinti érintésvédelmi osztály	II

4.2 Zajinformációk és rezgési értékek az EN 62841 szabvány szerint

A jelen útmutatókban megadott hangnyomás- és rezgésértékeket egy szabványosított mérési eljárás keretében mértük meg, és alkalmasak elektromos kéziszerszámok egymással történő összehasonlítására. Az értékek emellett alkalmasak az expozíció előzetes megbecslésére.

A megadott adatok az elektromos szerszám fő alkalmazási területeire vonatkoznak. Ha az elektromos kéziszerszámot más célra, eltérő betétszerszámokkal használják, vagy nem megfelelően tartják karban, akkor az adatok eltérőek lehetnek. Ez jelentősen megnövelheti az expozíciókat a munkaidő teljes időtartama alatt.



Az expozíció pontos megbecsléséhez azokat az időszakokat is figyelembe kell venni, amikor az elektromos kéziszerszámot lekapcsolták, vagy a készülék ugyan működik, de ténylegesen nincs használatban. Ez jelentősen csökkentheti az expozíciókat a munkaidő teljes időtartama alatt.

Hozzon kiegészítő intézkedéseket a kezelő védelme érdekében a hang és/vagy a rezgés hatásai ellen, mint például: Elektromos kéziszerszámok és betétszerszámok karbantartása, a gépkezelő kezének melegen tartása, a munkafolyamatok megszervezése.

Zajértékek

	TE 500
Hangteljesítményszint (L_{WA})	100 dB(A)
Hangteljesítményszint bizonytalanság (K_{WA})	3 dB(A)
Hangnyomásszint (L_{pA})	89 dB
Hangnyomásszint bizonytalanság (K_{pA})	3 dB(A)

Vibrációs értékek

	TE 500
Vésés ($a_{h,Cheq}$)	13,5 m/s ²
Bizonytalanság (K)	1,5 m/s ²

5 Üzemeltetés

5.1 A munkahely előkészítése

VIGYÁZAT

Sérülésveszély! A termék véletlen elindítása.

- ▶ A gép beállítása vagy az alkatrészek cseréje előtt húzza ki a hálózati csatlakozót.

Vegye figyelembe a dokumentumban és a terméken található biztonsági utasításokat és figyelmeztetéseket.

5.2 Dugaszolható hálózati kábel csatlakoztatása

VIGYÁZAT

Sérülésveszély beszenyeződött érintkezők esetén a kúszóáramok miatt.

- ▶ A bontható elektromos csatlakozót csak tiszta, száraz és feszültségmentes állapotban csatlakoztassa az elektromos gépre.

1. Vezesse be ütközésig a kódolt, bontható elektromos csatlakozót a termékbe, míg az hallhatóan beretesel.
2. Helyezze be a gép csatlakozódugóját az aljzatba.

5.3 Dugaszolható hálózati kábel leválasztása az elektromos gépről

1. Húzza ki a hálózati dugót a csatlakozóaljzattól.
2. Nyomja meg a reteszelőgombot, majd húzza ki a kódolt, bontható elektromos csatlakozót.
3. Húzza ki a tápkábelt a gépből.

5.4 Szerszám behelyezése

1. Enyhén zsirozza be a betétszerszám befogószarát.
 - ▶ Csak eredeti **HilTI** gépzsírt használjon. Nem megfelelő zsír használata a gép károsodásához vezethet.
2. Helyezze be a szerszámot ütközésig a tokmányba és forgassa, amíg beakad az Y tokmányba.
3. Húzza vissza a szerszámkireteszelést.
 - ▶ A szerszám immár teljesen behelyezhető a tokmányba.
4. A szerszám reteszeléséhez engedje el a szerszámkireteszelést.
5. A szerszám meghúzásával ellenőrizze, hogy biztonságos-e a reteszelés.
 - ▶ A termék üzemkész.

5.5 Szerszám kivétele

- ▶ Húzza vissza ütközésig a szerszám kireteszelését, és vegye ki a betétszerszámot.



5.6 Oldalsó markolat szerelése (opcionális) 4

1. Lazítsa ki az oldalmarkolatot szorító bilincset a markolat elfordításával.
2. Előlről tolja a bilincset a tokmányon át az erre a célra szolgáló megfelelő horonyba.
3. Helyezze az oldalmarkolatot a kívánt állásba.
4. Szorítsa meg az oldalmarkolatot szorító bilincset a markolat elfordításával.

5.7 Munkavégzés

FIGYELMEZTETÉS

Áramütés veszélye! A földelővezeték és hibaáram-védőkapcsoló nem megléte súlyos sérüléshez és égéshez vezethet.

- ▶ Ellenőrizze, hogy az akár hálózati, akár generátorra kötött elektromos tápvezeték rendelkezik csatlakoztatott földelővezetővel és hibaáram védőkapcsolóval (FI-relé).
- ▶ Ezen biztonsági óvintézkedések nélkül ne helyezzen terméket üzembe.

FIGYELMEZTETÉS

Sérült kábel miatt fellépő veszély! Azonnal csatlakoztassa le a készüléket és a kábelt a hálózatról, ha munka közben megsérül a hálózati kábel vagy a hosszabbítókábel. Ne érintse meg a meghibásodott részt!

- ▶ Rendszeresen ellenőrizze a csatlakozóvezetéseket. Cserélje ki a hibás hosszabbítókábelt.

A teljes munkákat engedélyeztesse az építésvezetővel.

5.7.1 Véső pozicionálása 5



A vésőt (15°-os lépésközökkel) 24 különböző helyzetbe lehet beállítani. Ezáltal a lapos-, ill. profilvéssőkkel mindig optimális munkahelyzetben lehet dolgozni.

1. Húzza előre a szerszámkireteszelést és tartsa meg ebben a helyzetben.
2. Forgassa el a szerszámkireteszelést a vésővel a kívánt pozícióba.
3. A véső ebben a pozícióban történő reteszeléséhez engedje el a szerszámkireteszelést.

5.7.2 Vésés

1. Lassan nyomja le teljesen az indítókapcsolót.



Attól függően, hogy mennyire nyomja be az indítókapcsolót, a fordulatszám fokozatmentesen állítható be a maximális értékig.

2. A gép kikapcsolásához engedje el az indítókapcsolót.

5.7.3 Folyamatos üzem be-/kikapcsolása



Véső üzemmódban, bekapcsolt állapotban az indítókapcsoló reteszeltető.





1. Nyomja meg az 1-es indítókapcsolót, majd a 2-es indítókapcsoló reteszelését.
2. Engedje el az 1-es indítókapcsolót, majd a 2-es indítókapcsoló reteszelését.
 - ▶ A termék ekkor folyamatos üzemben működik.
3. A folyamatos üzem kikapcsolásához nyomja meg az 1-es indítókapcsolót, majd engedje el.
 - ▶ A termék kikapcsol.

6 Ápolás és karbantartás

FIGYELMEZTETÉS

Elektromos áramütés veszélye! A csatlakoztatott hálózati kábellel végzett ápolás és karbantartás súlyos sérüléseket és égési sérülést okozhat.

- ▶ Minden ápolási és karbantartási munka előtt húzza ki a hálózati csatlakozót!

Ápolás

- Óvatosan távolítsa el a szilárdan tapadó szennyeződést.
- Száraz kefével tisztítsa meg óvatosan a szellőzőnyílásokat.
- A házat csak enyhén nedves kendővel tisztítsa. Ne használjon szilikontartalmú ápolószert, mivel az károsíthatja a műanyag alkatrészeket.

Karbantartás

FIGYELMEZTETÉS

Áramütés veszélye! Az elektromos alkatrészek nem szakszerű javítása súlyos sérülésekhez és égési sérülésekhez vezethet.

- ▶ A gép elektromos részeit csak szakképzett villamossági szakember javíthatja.
- Rendszeresen ellenőrizze a látható részeket sérülés, illetve a kezelőelemeket kifogástalan működés szempontjából.
- Sérülések és/vagy funkciózavar esetén ne működtesse a terméket. Azonnal javíttassa meg a **Hilti** Szervizben.
- Az ápolási és karbantartási munkák után minden védőfelszerelést szereljen fel, és ellenőrizze a gép működését.



A biztonságos üzemelés érdekében csak eredeti pótalkatrészeket és fogyóanyagokat használjon. Az általunk engedélyezett pótalkatrészeket, fogyóanyagokat és tartozékokat termékéhez megtalálja a **Hilti Store** helyeken vagy az alábbi címen: www.hilti.group.

7 Szállítás és tárolás

- Az elektromos gépet ne szállítsa behelyezett szerszámmal.
- Az elektromos gépet mindig kihúzott hálózati csatlakozóval tárolja.
- A gépet száraz helyen, gyermekek, valamint illetéktelen személyek számára nem hozzáférhető módon tárolja.
- Hosszabb szállítást vagy raktározást követően ellenőrizze az elektromos gép sértetlenségét a használatba vétel előtt.



8 Segítség zavarok esetén

Az ebben a táblázatban fel nem sorolt zavarok, illetve olyan zavarok esetén, amelyeket saját maga nem tud megjavítani, kérjük, forduljon a **Hilti** Szervizhez.

8.1 Hibakeresés

Üzemzavar	Lehetséges ok	Megoldás
A gép nem indul.	Hibás a hálózati kábel vagy a csatlakozódugó.	▶ Ellenőriztesse az elektromos tápkábelt és a csatlakozódugót villanszerelővel, cseréltesse ki, ha szükséges.
	A generátor készenléti üzemmódban van.	▶ Terhelje a generátort egy második fogyasztóval (pl. építési munkaterület lámpájával).
	Elektromos hiba.	▶ Ellenőriztesse a gépet és a csatlakozóvezetéket elektromos szakemberrel.
	A szénkefék elkoptak.	▶ Ellenőriztesse elektromos szakemberrel a gépet és szükség esetén cserélje ki a szénkeféket.
	A dugaszolható hálózati kábel nincs megfelelően bedugva.	▶ Csatlakoztassa a dugaszolható hálózati kábelt megfelelően az elektromos gépbe.
Nincs ütés.	A gép megsérült, vagy elérte azt az üzemidőt, amikor szervizelést igényel.	▶ A terméket csak Hilti Szervizben javíttassa.
	A gép túl hideg.	▶ Az üzemi hőmérséklet elérése helyezze rövid időre az aljzatra a gépet és járassa üresjáratban.
A készülék nem a teljes teljesítményen működik.	A hosszabbítókábel átmérője túl kicsi.	▶ Használjon megfelelő keresztmetszetű hosszabbítókábelt.
	Az indítókapcsoló nincs teljesen benyomva.	▶ Ütközésig nyomja be az indítókapcsolót.
A szerszám reteszelését nem lehet oldani.	Nincs teljesen hátrahúzva a tokmány.	▶ Ütközésig húzza vissza a szerszámreteszelt, és vegye ki a szerszámot.

9 Ártalmatlanítás

A **Hilti** gépek nagyrészt újrahasznosítható anyagokból készülnek. Az újrahasznosítás előtt az anyagokat gondosan szét kell válogatni. A **Hilti** sok országban már visszaveszi használt gépét újrahasznosítás céljára. Kérdezze meg a **Hilti** ügyfélszolgálatot vagy kereskedelmi tanácsadóját.



- ▶ Az elektromos kéziszerszámokat, elektromos készülékeket és akkukat ne dobja a háztartási szemétkébe!

10 RoHS (Veszélyes anyagok alkalmazásának korlátozásáról szóló irányelv)

A következő linkeken elérhető a veszélyes anyagok táblázata: qr.hilti.com/r7770034.

A dokumentáció végén található QR-kódon keresztül elérhető a RoHS táblázat.

11 Gyártói garancia

- ▶ A jótállás feltételeire vonatkozó kérdéseivel forduljon a helyi **Hilti** partneréhez.



Перевод оригинального руководства по эксплуатации

1 Данные руководства по эксплуатации

1.1 Об этом документе



Импортер и уполномоченная изготовителем организация

- (RU) Российская Федерация
АО "Хилти Дистрибьюшн ЛТД", 141402, Московская область, г. Химки, ул. Ленинградская, стр. 25, комната 15.26
- (BY) Республика Беларусь
ИООО "Хилти БиУай", 222750, Минская область, Дзержинский район, Р-1, 18-й км, 2 (около д. Слободка), помещение 1-34
- (KZ) Республика Казахстан
ТОО "Хилти Казахстан", 050057, г. Алматы, Бостандыкский район, ул. Тимирязева, дом 42/15, литер 012 (корпус15)
- (AM) Республика Армения
ООО "ЭЙЧ-КОН", 0070, г. Ереван, ул. Ерванда Кочара 19/28

Страна производства: см. маркировочную табличку на оборудовании.

Дата производства: см. маркировочную табличку на оборудовании.

Соответствующий сертификат можно найти по адресу: www.hilti.ru

Специальных требований к условиям хранения, транспортировки и использования, кроме указанных в руководстве по эксплуатации, нет.

Срок службы изделия составляет 5 лет.

- Перед началом работы изучите это руководство по эксплуатации. Это является залогом безопасной и бесперебойной работы.
- Соблюдайте указания по технике безопасности и предупреждающие указания, приведенные в этом руководстве по эксплуатации и на устройстве.
- Всегда храните руководство по эксплуатации рядом с устройством и передавайте устройство другим людям только вместе с этим руководством по эксплуатации.

1.2 Пояснение к знакам

1.2.1 Предупреждающие указания

Предупреждающие указания служат для предупреждения об опасностях при обращении с изделием. Используются следующие сигнальные слова:

ОПАСНО

ОПАСНО !

- ▶ Общее обозначение непосредственной опасной ситуации, которая влечет за собой тяжелые травмы или смертельный исход.

ПРЕДУПРЕЖДЕНИЕ

ПРЕДУПРЕЖДЕНИЕ !

- ▶ Общее обозначение потенциально опасной ситуации, которая может повлечь за собой тяжелые травмы или смертельный исход.

ОСТОРОЖНО

ОСТОРОЖНО !

- ▶ Общее обозначение потенциально опасной ситуации, которая может повлечь за собой травмы или повреждение оборудования (материальный ущерб).

1.2.2 Символы, используемые в руководстве

В этом руководстве используются следующие символы:



	Соблюдать руководство по эксплуатации
	Указания по эксплуатации и другая полезная информация
	Обращение с материалами, пригодными для вторичной переработки
	Не выбрасывайте электроинструменты и аккумуляторы вместе с бытовым мусором!

1.2.3 Символы на изображениях

На изображениях используются следующие символы:

	Эти цифры указывают на соответствующее изображение в начале данного руководства.
	Нумерация на иллюстрациях указывает на важные рабочие операции или на компоненты (детали), важные для рабочих операций. В тексте эти рабочие операции или компоненты выделены соответствующими номерами, например (3).
	Номера позиций используются в обзорном изображении. В обзоре изделия они указывают на номера в экспликации.
	Этот знак должен привлечь особое внимание пользователя при обращении с изделием.

1.3 Символы в зависимости от изделия

1.3.1 Символы на изделии

На изделии могут использоваться следующие символы:

	Устройство поддерживает технологию NFC, совместимую с платформами iOS и Android.
--	--

1.4 Информация об изделии

Изделия предназначены для профессионального использования, поэтому они должны обслуживаться и ремонтироваться только уполномоченным и обученным персоналом. Этот персонал должен пройти специальный инструктаж по технике безопасности. Использование изделия и его оснастки не по назначению или его эксплуатация необученным персоналом могут представлять опасность.

Типовое обозначение и серийный номер указаны на заводской табличке.

- ▶ Перепишите серийный номер в нижеприведенную табличную форму. Данные изделия необходимы при обращении в наше представительство или сервисный центр.

Указания к изделию

Отбойный молоток	TE 500
Поколение	03
Серийный №	

1.5 Декларация соответствия нормам

Настоящим мы с полной ответственностью заявляем, что данное изделие соответствует действующим директивам и нормам. Копию декларации соответствия нормам см. в конце этого документа.

Техническая документация (оригиналы) хранится здесь:

Hilti Entwicklungsgesellschaft mbH | Zulassung Geräte | Hiltistraße 6 | 86916 Kaufering, Германия

2 Безопасность

2.1 Общие указания по технике безопасности для электроинструментов

⚠ ПРЕДУПРЕЖДЕНИЕ Изучите все указания по технике безопасности, инструкции, иллюстрации и технические данные, которые прилагаются к данному электроинструменту. Несоблюдение приводимых ниже указаний может привести к поражению электрическим током, пожару и/или тяжелым травмам.



Сохраните все указания по технике безопасности и инструкции для следующего пользователя.

Используемый далее термин «электроинструмент» относится к электроинструменту, работающему от электрической сети (с кабелем электропитания) и от аккумулятора (без кабеля электропитания).

Безопасность рабочего места

- ▶ Следите за чистотой и хорошей освещенностью на рабочем месте. Беспорядок на рабочем месте или плохое освещение могут привести к несчастным случаям.
- ▶ Не используйте электроустройство/электроинструмент во взрывоопасной зоне, где имеются горючие жидкости, газы или пыль. При работе электроустройство/электроинструмент искрит, и искры могут воспламенить пыль или пары/газы.
- ▶ Не разрешайте детям и посторонним приближаться к работающему электроустройству/электроинструменту. Отвлекаясь от работы, можно потерять контроль над электроустройством/электроинструментом.

Электрическая безопасность

- ▶ Соединительная вилка электроинструмента должна соответствовать розетке электросети. Не изменяйте конструкцию вилки! Не используйте переходные вилки с электроинструментами с защитным заземлением. Использование оригинальных вилок и соответствующих им розеток снижает риск поражения электрическим током.
- ▶ Избегайте непосредственного контакта с заземленными поверхностями, например с трубами, отопительными приборами, газо-/электропластинами и холодильниками. При контакте с заземленными предметами возникает повышенный риск поражения электрическим током.
- ▶ Предохраняйте электроинструменты от дождя или воздействия влаги. В результате попадания воды в электроинструмент возрастает риск поражения электрическим током.
- ▶ Не используйте кабель электропитания не по назначению, например для переноски электроинструмента, его подвешивания или для выдергивания вилки из розетки электросети. Защищайте кабель электропитания от воздействий высоких температур, масла, острых кромок или вращающихся деталей/узлов. В результате повреждения или схлестывания кабелей электропитания повышается риск поражения электрическим током.
- ▶ Если работы с электроинструментом выполняются на открытом воздухе, применяйте только удлинительные кабели, которые разрешено использовать вне помещений. Использование удлинительного кабеля, пригодного для использования вне помещений, снижает риск поражения электрическим током.
- ▶ Если избежать работы с электроинструментом в условиях влажности не представляется возможным, используйте автомат защиты от тока утечки. Использование автомата защиты от тока утечки снижает риск поражения электрическим током.

Безопасность персонала

- ▶ Будьте внимательны, следите за своими действиями и серьезно относитесь к работе с электроинструментом. Не пользуйтесь электроинструментом, если вы устали или находитесь под действием наркотиков, алкоголя или медикаментов. Незначительная ошибка при невнимательной работе с электроинструментом может стать причиной серьезного травмирования.
- ▶ Используйте средства индивидуальной защиты и всегда надевайте защитные очки. Использование средств индивидуальной защиты, например респиратора, защитной обуви на нескользящей подошве, защитной каски или защитных наушников, в зависимости от вида и условий эксплуатации электроинструмента, снижает риск травмирования.
- ▶ Избегайте непреднамеренного включения электроинструмента. Убедитесь в том, что электроинструмент выключен, прежде чем подключить его к электропитанию и/или вставить аккумулятор, поднимать или переносить электроинструмент. Ситуации, когда при переноске электроинструмента палец находится на выключателе или когда выключенный электроинструмент подключается к электросети, могут привести к несчастным случаям.
- ▶ Перед включением электроинструмента удалите регулировочные приспособления или гаечные ключи. Рабочий инструмент или гаечный ключ, находящийся во вращающейся части электроинструмента, может стать причиной получения травм.
- ▶ Старайтесь избегать неестественных поз при работе. Постоянно сохраняйте устойчивое положение и равновесие. Это позволит лучше контролировать электроинструмент в непредвиденных ситуациях.
- ▶ Носите спецодежду. Не надевайте очень свободную одежду или украшения. Оберегайте волосы, одежду и защитные перчатки от вращающихся узлов электроинструмента. Свободная одежда, украшения и длинные волосы могут быть захвачены ими.
- ▶ Если предусмотрено подсоединение устройств для удаления и сбора пыли, убедитесь в том, что они подсоединены и используются по назначению. Использование пылеудаляющего аппарата снижает вредное воздействие пыли.



- ▶ **Не пребывайте в ложной уверенности в собственной безопасности и не пренебрегайте правилами техники безопасности для электроинструментов, даже если вы являетесь опытным пользователем электроинструмента.** Неосторожное обращение может в течение долей секунды стать причиной получения тяжелых травм.

Использование и обслуживание электроинструмента

- ▶ **Не допускайте перегрузки электроинструмента. Используйте электроинструмент, предназначенный именно для данной работы.** Соблюдение этого правила обеспечит более высокое качество и безопасность работы в указанном диапазоне мощности.
- ▶ **Не используйте электроинструмент с неисправным выключателем.** Электроинструмент, включение или выключение которого затруднено, представляет опасность и должен быть отремонтирован.
- ▶ **Прежде чем приступить к регулировке электроинструмента, замене принадлежностей или перед перерывом в работе выньте вилку из розетки и/или аккумулятор из электроинструмента.** Данная мера предосторожности позволит предотвратить непреднамеренное включение электроинструмента.
- ▶ **Храните неиспользуемые электроинструменты в местах, недоступных для детей. Не позволяйте использовать электроинструмент лицам, которые не ознакомлены с ним или не читали эти инструкции.** Электроинструменты представляют собой опасность в руках неопытных пользователей.
- ▶ **Бережно обращайтесь с электроинструментами и принадлежностями. Проверяйте безупречное функционирование подвижных частей, легкость их хода, целостность и отсутствие повреждений, которые могли бы отрицательно повлиять на работу электроинструмента. Сдавайте поврежденные части электроинструмента в ремонт до его использования.** Причиной многих несчастных случаев является несоблюдение правил технического обслуживания электроинструментов.
- ▶ **Необходимо следить за тем, чтобы режущие инструменты были острыми и чистыми.** Заклинивание содержащихся в надлежащем состоянии режущих инструментов происходит реже, ими легче управлять.
- ▶ **Применяйте электроинструмент, принадлежности (оснастку), рабочие инструменты и т. д. согласно данным указаниям. Учитывайте при этом рабочие условия и характер выполняемой работы.** Использование электроинструментов не по назначению может привести к опасным ситуациям.
- ▶ **Замасленные рукоятки и поверхности для хвата немедленно очищайте — они должны быть сухими и чистыми.** Скользкие рукоятки и поверхности для хвата не обеспечивают безопасное управление и контроль электроинструмента в непредвиденных ситуациях.

Сервис

- ▶ **Доверяйте ремонт своего электроинструмента только квалифицированному персоналу, использующему только оригинальные запчасти.** Этим обеспечивается поддержание электроинструмента в безопасном и исправном состоянии.

2.2 Указания по технике безопасности при работе с перфораторами

Указания по технике безопасности при выполнении любых работ

- ▶ **Надевайте защитные наушники.** В результате воздействия шума возможна потеря слуха.
- ▶ **Используйте дополнительные рукоятки, которые входят в комплект инструмента.** Потеря контроля над инструментом может привести к травмам.
- ▶ **При опасности повреждения рабочим инструментом скрытой электропроводки или сетевого кабеля держите электроинструмент за изолированные поверхности.** При контакте с токопроводящими предметами незащищенные металлические части электроинструмента находятся под напряжением, что может привести к поражению электрическим током.

2.3 Дополнительные указания по технике безопасности при работе с отбойным молотком

Безопасность персонала

- ▶ **Используйте электроинструмент и его принадлежности только в технически исправном состоянии.**
- ▶ **Внесение изменений в конструкцию электроинструмента/принадлежностей или его/их модификация категорически запрещаются.**
- ▶ **При долблении потолочных перекрытий, стенок и полов будьте осторожны и следите за устойчивостью своей рабочей позы.** Внезапный проход электроинструмента насквозь может вывести вас из равновесия!



- ▶ При изготовлении сквозных проемов ограждайте опасную зону с противоположной стороны стены. Вылетающие наружу и/или падающие вниз осколки могут травмировать других людей.
- ▶ Во время работы с электроинструментом пользователь и находящиеся в непосредственной близости лица должны использовать подходящие защитные очки, защитную каску, защитные наушники, защитные перчатки и легкий респиратор.
- ▶ При замене рабочего инструмента надевайте защитные перчатки. Соблюдайте осторожность при замене рабочего инструмента — контакт с ним может привести к порезам и ожогам.
- ▶ Пользуйтесь защитными очками. Осколки материала могут травмировать тело и глаза.
- ▶ Пыль, возникающая при шлифовании, абразивной обработке, резке и сверлении, может содержать опасные химические вещества. Несколько примеров материалов, содержащих опасные вещества: свинец или краски на свинцовой основе; кирпич, бетон и другие материалы для кладки, природный камень и другие силикатсодержащие изделия; определенные виды древесины, такие как дуб, бук и химически обработанная древесина; асбест или материалы, содержащие асбест. Определите степень воздействия на оператора и окружающих лиц по классу опасности обрабатываемых материалов. Примите необходимые меры для обеспечения безопасного уровня воздействия, например, путем использования подходящих систем пылеудаления или ношения подходящих средств защиты органов дыхания. Общие меры по снижению опасного воздействия:
 - ▶ Работайте в хорошо проветриваемом помещении.
 - ▶ Избегайте длительного контакта с пылью.
 - ▶ Удаляйте пыль с лица и тела.
 - ▶ Носите защитную одежду и промывайте открытые участки, подверженные воздействию, водой с мылом.
- ▶ Чтобы во время работы руки не затекали, время от времени делайте перерывы и упражнения для расслабления и разминки пальцев. Возникающие при длительной работе вибрации могут привести к нарушениям кровоснабжения сосудов или в нервных окончаниях пальцев/кистей рук или в запястьях.

Электрическая безопасность

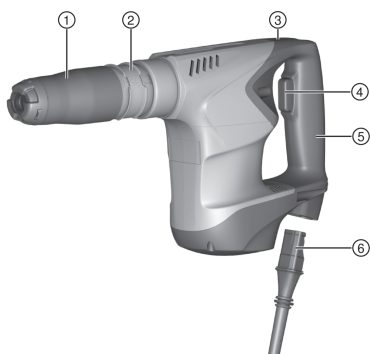
- ▶ Перед началом работы проверяйте рабочую зону на наличие скрытой электропроводки, газо- и водопроводных труб. Открытые металлические части электроинструмента могут стать проводниками электрического тока или привести к взрыву, если случайно задеть (повредить) электропроводку, газо- или водопровод.

Бережное обращение с электроинструментами и их правильная эксплуатация

- ▶ Дождитесь полной остановки электроинструмента, прежде чем убирать его в сторону.

3 Описание

3.1 Обзор изделия 1



- ① Зажимной патрон
- ② Деблокиратор рабочего инструмента
- ③ Фиксатор выключателя
- ④ Выключатель
- ⑤ Задняя рукоятка
- ⑥ Кабель электропитания с разъемным штекерным соединителем с кодировкой

3.2 Использование по назначению

Описываемое изделие представляет собой электрический отбойный молоток, предназначенный для несложных долбежных работ по кирпичной кладке и бетону.

- ▶ Его эксплуатация возможна только при напряжении и частоте электросети, которые соответствуют указанным на заводской табличке.



3.3 Комплект поставки

Отбойный молоток, руководство по эксплуатации.

Другие системные принадлежности, допущенные для использования с этим изделием, вы можете найти в **Hilti Store** или на сайте **www.hilti.group**.

4 Технические данные

4.1 Отбойный молоток

Номинальное напряжение, номинальный ток, частота и номинальная потребляемая мощность указаны на заводской табличке (данные могут варьироваться в зависимости от экспортного исполнения).

При запитывании от генератора/трансформатора его выходная мощность должна быть как минимум вдвое выше номинальной потребляемой мощности, которая указана на заводской табличке электроинструмента. Рабочее напряжение трансформатора или генератора должно всегда находиться в диапазоне между +5 % и -15 % номинального напряжения электроинструмента.

Этот инструмент отвечает требованиям соответствующего стандарта при условии, что максимально допустимое полное сопротивление сети (значение Z_{max}) в точке подключения к оборудованию заказчика с питанием от общей электросети будет меньше или равно 0,401 Ом. Специалист, выполняющий подключение, или пользователь инструмента должен убедиться (при необходимости обратившись к оператору электросети) в том, что инструмент подключен в точке, где полное сопротивление сети меньше или равно значению Z_{max} .

	TE 500
Масса согласно методу EPTA 01	4,9 кг
Класс защиты по EN 60745	II

4.2 Данные по шуму и вибрациям согласно EN 62841

Приводимые здесь значения уровня звукового давления и вибрации были измерены согласно стандартизированной процедуре измерения и могут использоваться для сравнения электроинструментов между собой. Они также подходят для предварительной оценки вредных воздействий.

Указанные данные применимы к основным областям применения электроинструмента. Однако, если электроинструмент используется для других целей, с другими рабочими (сменными) инструментами или в случае его неудовлетворительного технического обслуживания, данные могут быть иными. Вследствие этого в течение всего периода работы электроинструмента возможно значительное увеличение вредных воздействий.

Для точного определения вредных воздействий следует также учитывать промежутки времени, в течение которых электроинструмент находится в выключенном состоянии или работает вхолостую. Вследствие этого в течение всего периода работы электроинструмента возможно заметное уменьшение вредных воздействий.

Примите дополнительные меры безопасности для защиты пользователя от воздействия возникающего шума и/или вибраций, например: техническое обслуживание электроинструмента и рабочих (сменных) инструментов, сохранение тепла рук, правильная организация рабочих процессов.

Данные о шуме

	TE 500
Уровень звуковой мощности (L_{WA})	100 дБ(А)
Погрешность уровня звуковой мощности (K_{WA})	3 дБ(А)
Уровень звукового давления (L_{pA})	89 дБ
Погрешность уровня звукового давления (K_{pA})	3 дБ(А)

Данные о вибрации

	TE 500
Долбление ($a_{h, Cheq}$)	13,5 м/с ²
Коэффициент погрешности (К)	1,5 м/с ²



5 Эксплуатация

5.1 Подготовка к работе

ОСТОРОЖНО

Опасность травмирования! Непреднамеренное включение электроинструмента

- ▶ Перед регулировкой электроинструмента или заменой принадлежностей вынимайте вилку из розетки электросети.

Соблюдайте указания по технике безопасности и предупреждающие указания, приводимые в данном документе и на изделии.

5.2 Подсоединение съемного кабеля электропитания

ОСТОРОЖНО

Опасность травмирования вследствие токов (поверхностной) утечки при загрязнении контактов

- ▶ Разъемный штекерный соединитель следует подключать к электроинструменту только в чистом, сухом и обесточенном состоянии.
1. Вставьте разъемный штекерный соединитель с кодировкой до упора в соответствующий разъем на электроинструменте (при правильной фиксации раздается характерный щелчок).
 2. Вставьте вилку кабеля электропитания в розетку.

5.3 Отсоединение съемного кабеля электропитания от электроинструмента

1. Выньте вилку кабеля электропитания из розетки.
2. Нажмите кнопку фиксации и вытяните разъемный штекерный соединитель с кодировкой.
3. Отсоедините кабель электропитания от электроинструмента.

5.4 Установка рабочего инструмента

1. Слегка смажьте хвостовик рабочего инструмента.
 - ▶ Используйте только оригинальную консистентную смазку фирмы **Hilti**. Использование неподходящей консистентной смазки может стать причиной повреждений инструмента.
2. Вставьте сменный инструмент до упора в зажимной патрон и поворачивайте его до срабатывания Y-образного зажима.
3. Оттяните деблокиратор рабочего инструмента назад.
 - ▶ Теперь рабочий инструмент можно полностью вставить в зажимной патрон.
4. Отпустите деблокиратор рабочего инструмента, чтобы заблокировать рабочий инструмент.
5. Потяните рабочий инструмент на себя после его установки, чтобы удостовериться, что он надежно закреплен в патроне.
 - ▶ Инструмент готов к работе.

5.5 Извлечение рабочего инструмента

- ▶ Оттяните деблокиратор рабочего инструмента до упора назад и извлеките рабочий инструмент.

5.6 Монтаж боковой рукоятки (опция)

1. Поверните рукоятку, чтобы расфиксировать фиксатор (фиксирующее кольцо) боковой рукоятки.
2. Установите фиксатор (фиксирующее кольцо) спереди через патрон в предусмотренный для этого паз.
3. Установите боковую рукоятку в нужное положение.
4. Поверните рукоятку, чтобы зафиксировать фиксатор (фиксирующее кольцо) боковой рукоятки.



5.7 Выполнение работ

ПРЕДУПРЕЖДЕНИЕ

Опасность вследствие удара электрического тока! Отсутствие заземляющего провода и автомата защиты от тока утечки может привести к тяжелым травмам и ожогам.

- ▶ Убедитесь в том, что в проложенном кабеле питания, проходящем от электросети или генератора, всегда имеются подключенные заземляющий провод и автомат защиты от тока утечки.
- ▶ Если эти меры предосторожности не приняты, не эксплуатируйте изделие.

ПРЕДУПРЕЖДЕНИЕ

Опасность вследствие поврежденных кабелей! При повреждении кабеля электропитания или удлинительного кабеля во время работы немедленно отсоедините электроинструмент и соответствующий кабель от электросети. Не касайтесь места повреждения!

- ▶ Регулярно проверяйте все соединительные кабели. Заменяйте поврежденные удлинительные кабели.

Перед началом работ согласуйте их в полном объеме с начальником строительного участка (прорабом).

5.7.1 Выбор положения зубила

Для установки зубила предусмотрено 24 различных положения (с шагом 15°). Благодаря этому плоские и фасонные зубила всегда можно установить в оптимально подходящее для работы положение.

1. Сдвиньте деблокиратор рабочего инструмента вперед и удерживайте его в этом положении.
2. Поверните деблокиратор рабочего инструмента с зубилом в нужное положение.
3. Отпустите деблокиратор рабочего инструмента, чтобы заблокировать зубило в этом положении.

5.7.2 Долбление

1. Плавно нажмите выключатель до упора.

Частоту вращения можно плавно регулировать в пределах выбранного диапазона соразмерным нажатием на выключатель.

2. Для выключения электроинструмента отпустите (отожмите) выключатель.

5.7.3 Включение/выключение режима непрерывной работы

В режиме долбления выключатель можно зафиксировать в нажатом положении.



1. Нажмите выключатель 1, а затем фиксатор выключателя 2.
2. Отпустите выключатель 1, а затем фиксатор выключателя 2.
 - ▶ Теперь электроинструмент работает в непрерывном режиме.



3. Для выключения режима непрерывной работы нажмите выключатель 1 и снова отпустите его.
 - ▶ Электроинструмент выключится.

6 Уход и техническое обслуживание



ПРЕДУПРЕЖДЕНИЕ

Опасность травмирования вследствие удара электрическим током! Выполнение работ по уходу и обслуживанию с подключенной вилкой кабеля электропитания может привести к тяжелым травмам и ожогам.

- ▶ Перед проведением любых работ по уходу и обслуживанию всегда вынимайте из розетки вилку кабеля электропитания!

Уход

- Осторожно удаляйте налипшую грязь.
- Осторожно очищайте вентиляционные прорези сухой щеткой.
- Очищайте корпус только с использованием слегка увлажненной ткани. Не используйте средства по уходу с содержанием силикона, поскольку они могут повредить пластиковые детали.

Техническое обслуживание



ПРЕДУПРЕЖДЕНИЕ

Опасность вследствие удара электрического тока! Неквалифицированный ремонт компонентов электрической части может привести к получению серьезных травм и ожогам.

- ▶ Ремонт электрической части перфоратора поручайте только специалисту-электрику.
- Регулярно проверяйте все видимые части электроинструмента на отсутствие повреждений, а элементы управления — на исправное функционирование.
- При повреждениях и/или функциональных сбоях не используйте электроинструмент. Сразу сдавайте его в сервисный центр **Hilti** для ремонта.
- После ухода за электроинструментом и его технического обслуживания установите все защитные приспособления на место и проверьте их исправное функционирование.



Для обеспечения безопасной эксплуатации используйте только оригинальные запасные части и расходные материалы. Допущенные нами запасные части, расходные материалы и принадлежности для данного изделия вы можете найти в **Hilti Store** или смотрите на www.hilti.group.

7 Транспортировка и хранение

- Транспортировка электроинструмента с установленным рабочим инструментом запрещается.
- Храните электроинструмент всегда с вынутой вилкой кабеля.
- Храните электроинструмент в сухом виде в недоступном для детей и других лиц, не допущенных к работе с данным электроинструментом, месте.
- После продолжительной транспортировки или длительного хранения перед использованием проверьте электроинструмент на отсутствие повреждений.

8 Помощь при неисправностях

В случае неисправностей, которые не указаны в этой таблице или которые вы не можете устранить самостоятельно, обращайтесь в ближайший сервисный центр **Hilti**.

8.1 Поиск и устранение неисправностей

Неисправность	Возможная причина	Решение
Электроинструмент не включается.	Неисправен кабель электропитания или его вилка.	▶ Неисправен кабель электропитания или его вилка. Привлеките специалиста-электрика для их проверки и, при необходимости, замены.



Неисправность	Возможная причина	Решение
Электроинструмент не включается.	Генератор в режиме ожидания	► Подключите к генератору второй потребитель (например, прожектор для стройплощадок).
	Неисправность электрики	► Проверьте электроинструмент и питающий провод с привлечением специалиста-электрика.
	Угольные щетки изношены.	► Вызовите для проверки электроинструмента специалиста-электрика и при необходимости замените угольные щетки.
	Неправильно подключен съемный кабель электропитания.	► Правильно подсоедините съемный кабель электропитания к электроинструменту.
Нет удара.	Электроинструмент поврежден или срок его службы достиг предела, при котором требуется сервисное обслуживание.	► Сдавайте электроинструмент в ремонт только в сервисный центр Hilti .
	Электроинструмент слишком холодный	► Для достижения рабочей температуры установите электроинструмент на базовый материал, ненадолго включите его и дайте ему поработать на холостом ходу.
Электроинструмент работает не на полную мощность.	Удлинительный кабель имеет слишком малое сечение.	► Используйте удлинительный кабель с достаточным сечением.
	Не полностью нажат выключатель.	► Нажмите выключатель до упора.
Рабочий инструмент не высвобождается из патрона.	Не полностью оттянут (отжат) зажимной патрон.	► Оттяните зажимной патрон до упора назад и извлеките рабочий инструмент.

9 Утилизация

Большинство материалов, из которых изготовлены электроинструменты **Hilti**, подлежит вторичной переработке. Перед утилизацией следует тщательно рассортировать материалы (для удобства их последующей переработки). Во многих странах фирма **Hilti** уже организовала прием старых (электро)инструментов (изделий) для утилизации. Дополнительную информацию по этому вопросу можно получить в отделе по обслуживанию клиентов или у консультантов по продажам фирмы **Hilti**.



- Не выбрасывайте электрические инструменты, электронные устройства/приборы и аккумуляторы вместе с обычным мусором!

10 RoHS (Директива об ограничении применения опасных веществ)

По этим ссылкам доступна таблица опасных веществ: qr.hilti.com/r7770034.

Ссылку в виде QR-кода на таблицу опасных веществ согласно директиве RoHS см. в конце этого документа.

11 Гарантия производителя

- С вопросами по поводу гарантийных условий обращайтесь в ближайшее представительство **Hilti**.



Оригінальна інструкція з експлуатації

1 Інформація щодо інструкції з експлуатації

1.1 Про цю інструкцію з експлуатації

- Перш ніж розпочинати роботу з інструментом, прочитайте цю інструкцію з експлуатації. Це є передумовою безпечної роботи та відсутності несправностей під час застосування інструмента.
- Дотримуйтеся попереджувальних вказівок та вказівок з техніки безпеки, наведених у цій інструкції з експлуатації та на корпусі інструмента.
- Завжди зберігайте інструкцію з експлуатації поблизу виробу та передавайте його іншим особам тільки разом із цією інструкцією з експлуатації.

1.2 Пояснення символів

1.2.1 Попереджувальні вказівки

Попереджувальні вказівки інформують користувача про фактори небезпеки, пов'язані із застосуванням інструмента. Використовуються такі сигнальні слова:

НЕБЕЗПЕКА

НЕБЕЗПЕКА !

- Указує на безпосередню небезпеку, що може призвести до отримання тяжких тілесних ушкоджень або навіть до смерті.

ПОПЕРЕДЖЕННЯ

ПОПЕРЕДЖЕННЯ !

- Указує на потенційно небезпечну ситуацію, яка може призвести до отримання тяжких тілесних ушкоджень або навіть смерті.

ОБЕРЕЖНО

ОБЕРЕЖНО !

- Указує на потенційно небезпечну ситуацію, яка може призвести до отримання тілесних ушкоджень або до матеріальних збитків.

1.2.2 Символи в інструкції з експлуатації

У цій інструкції з експлуатації використовуються такі символи:

	Дотримуйтеся вказівок, наведених в інструкції з експлуатації
	Вказівки щодо експлуатації та інша корисна інформація
	Поводження з матеріалами, придатними для вторинної переробки
	Не викидайте електроінструменти і акумуляторні батареї у баки для побутового сміття

1.2.3 Символи на ілюстраціях

На ілюстраціях використовуються такі символи:

	Цифрами позначаються відповідні ілюстрації, наведені на початку цієї інструкції з експлуатації.
	Наведена на рисунках нумерація позначає порядок виконання важливих робочих кроків або показує важливі деталі, необхідні для виконання цих робочих кроків. У тексті ці робочі кроки або деталі виділяються відповідними цифрами, наприклад (3).
	Номера позицій, наведені на оглядовій ілюстрації, відповідають номерам у легенді, що представлена у розділі «Огляд продукту».
	Цей символ позначає аспекти, на які слід звернути особливу увагу під час застосування інструмента.



1.3 Символи, що обумовлені типом інструмента

1.3.1 Символи на інструменті

На інструменті можуть бути наведені такі символи:



Інструмент підтримує технологію NFC та є сумісним із платформами iOS та Android.

1.4 Інформація про інструмент

HILTI Інструменти призначені для професійного використання, а тому їхню експлуатацію, технічне обслуговування та ремонт слід доручати лише авторизованому персоналу зі спеціальною підготовкою. Цей персонал повинен бути спеціально проінструктований про можливі ризики. Інструмент та допоміжне приладдя можуть стати джерелом небезпеки у разі їхнього неправильного застосування некваліфікованим персоналом або у разі використання не за призначенням.

Тип та серійний номер зазначені на заводській табличці.

- ▶ Перепишіть серійний номер у наведену нижче таблицю. При оформленні запитів до нашого представництва та до сервісної служби вказуйте інформацію про інструмент.

Інформація про інструмент

Відбійний молоток	TE 500
Версія	03
Серійний номер	

1.5 Сертифікат відповідності

Зі всією належною відповідальністю заявляємо, що описаний у цьому документі інструмент відповідає діючим директивам і стандартам. Копія сертифіката відповідності наведена у кінці цього документа.

Технічна документація зазначена нижче:

Hilti Entwicklungsgesellschaft mbH | Zulassung Geräte | Hiltistraße 6 | 86916 Kaufering, DE

2 Безпека

2.1 Загальні вказівки з техніки безпеки при роботі з електроінструментами

⚠ ПОПЕРЕДЖЕННЯ! Уважно прочитайте усі вказівки та інструкції з техніки безпеки, ознайомтеся з малюнками та технічними даними цього електроінструмента. Щонайменше недотримання наведених нижче вказівок може призвести до ураження електричним струмом, займання та/або отримання тяжких травм.

Збережіть всі інструкції та вказівки з техніки безпеки – вони можуть знадобитися Вам у майбутньому.

Термін «електроінструмент», який використовується у вказівках з техніки безпеки, позначає як електроінструменти, що працюють від електричної мережі (із кабелем живлення), так і електроінструменти, що працюють від акумуляторної батареї (без кабелю живлення).

Безпека на робочому місці

- ▶ **Дбайте про чистоту та достатнє освітлення робочого місця.** Безлад на робочому місці та недостатнє освітлення можуть стати причиною нещасних випадків.
- ▶ **Не працюйте з електроінструментом у вибухонебезпечному середовищі, що містить легкозаймисті рідини, гази або пил.** Під час роботи електроінструментів утворюються іскри, від яких можуть зайнятися легкозаймисті випари або пил.
- ▶ **Подбайте про те, щоб під час використання електроінструмента поблизу не було дітей та сторонніх осіб.** Щонайменше відволікання може призвести до втрати контролю над інструментом.

Електрична безпека

- ▶ **Штепсельна вилка електроінструмента повинна підходити до розетки живлення. Забороняється вносити зміни до конструкції штепсельної вилки. Не дозволяється застосовувати перерізані штепсельні вилки в електроінструментах із захисним заземленням.** У разі використання оригінальних штепсельних вилок і відповідних розеток знижується ризик ураження електричним струмом.



- ▶ Під час роботи намагайтеся не торкатися заземлених поверхонь, наприклад труб, радіаторів опалення, печей та холодильників. Якщо Ваше тіло перебуває в контакт з системою заземлення, існує підвищений ризик ураження електричним струмом.
- ▶ **Захищайте електроінструмент від дощу та вологи.** У разі проникнення води в електроінструмент підвищується ризик ураження електричним струмом.
- ▶ **Використовуйте з'єднувальний кабель тільки за призначенням, не переносьте за нього електроінструмент, не користуйтеся ним для підвішування інструмента та не тримайтеся за нього, дістаючи штепсельну вилку з розетки.** Обережіть з'єднувальний кабель від впливу високих температур, від дії мастил та контакту з гострими кромками або рухомими частинами інструмента. Пошкоджені або заплутані з'єднувальні кабелі підвищують ризик ураження електричним струмом.
- ▶ **Працюючи з електроінструментом під відкритим небом, використовуйте лише подовжувальний кабель, придатний для зовнішнього застосування.** Використання подовжувального кабелю, призначеного для зовнішнього застосування, зменшує ризик ураження електричним струмом.
- ▶ **Якщо неможливо уникнути експлуатації електроінструмента за умов підвищеної вологості, використовуйте автомат захисту від струму витoku.** Використання автомата захисту від струму витoku зменшує ризик ураження електричним струмом.

Безпека персоналу

- ▶ **Будьте уважними, зосередьтеся на виконуваній операції, до роботи з електроінструментом ставтеся серйозно. Не користуйтеся електроінструментом, якщо Ви втомлені або перебуваєте під дією наркотичних речовин, алкоголю або лікарських засобів.** Під час роботи з електроінструментом не відволікайтеся ні на мить, оскільки це може призвести до отримання серйозних травм.
- ▶ **Використовуйте засоби індивідуального захисту і завжди надягайте захисні окуляри.** Використання засобів індивідуального захисту, наприклад респіратор, захисного взуття на нековзній підшві, захисного шолома або шумозахисних навушників – залежно від різновиду електроінструмента та особливостей його застосування – зменшує ризик травмування.
- ▶ **Уникайте випадкового вмикання електроінструмента. Переконайтеся в тому, що електроінструмент вимкнений, перш ніж вставляти штепсельну вилку в розетку живлення та/або приєднувати акумулятор, піднімати електроінструмент або переносити його.** Якщо під час перенесення електроінструмента тримати палець на вимикачі або приєднувати інструмент до джерела живлення увімкненим, це може призвести до нещасного випадку.
- ▶ **Перш ніж вмикати електроінструмент, від'єднайте від нього все налагоджувальне приладдя або гайкові ключі.** Приладдя або ключ, що знаходяться в обертовому вузлі інструмента, можуть стати причиною отримання травм.
- ▶ **Уникайте виконання роботи в незручній позі. Під час виконання робіт ставайте в стійку позу і намагайтеся повсякчас утримувати рівновагу.** Це дозволить Вам більш упевнено контролювати електроінструмент у разі виникнення несподіваних обставин.
- ▶ **Надягайте відповідний робочий одяг. Не надягайте для роботи занадто просторий одяг та прикраси. Слідкуйте за тим, щоб волосся, одяг та робочі рукавиці знаходилися подальше від обертових частин інструмента.** Просторий одяг, прикраси або довге волосся можуть бути захоплені рухомими частинами інструмента.
- ▶ **Якщо передбачена можливість установлення системи пиловидалення та пилозбірників, обов'язково переконайтеся в тому, що вони правильно приєднані й використовуються належним чином.** Застосування системи видалення пилу дозволяє зменшити негативний вплив пилу на персонал.
- ▶ **Не можна нехтувати правилами безпеки під час роботи з електроінструментами навіть у тому випадку, коли Ви добре знайомі з тим чи іншим електроінструментом.** Якщо користуватися інструментом необережно, лише малої частки секунди може бути достатньо для отримання важких травм.

Використання електроінструмента та належний догляд за ним

- ▶ **Не допускайте перенавантаження інструмента. Завжди використовуйте електроінструмент, призначений для виконання відповідної роботи.** При використанні належного електроінструмента забезпечуються більш висока якість та безпека виконання робіт у вказаному діапазоні продуктивності.
- ▶ **Не використовуйте електроінструмент із пошкодженим вимикачем.** Електроінструмент, який неможливо вмикати або вимикати, є небезпечним і підлягає ремонту.
- ▶ **Перш ніж розпочинати налаштування інструмента, виконувати заміну приладдя або робити перерву в роботі, не забудьте вийняти штепсельну вилку з розетки та/або вийняти з інструмента змінну акумуляторну батарею.** Такий запобіжний захід допоможе уникнути випадкового вмикання електроінструмента.



- ▶ **Електроінструменти, що не використовуються, зберігайте в недоступному для дітей місці. Не дозволяйте користуватися інструментом особам, які не ознайомлені з ним або не прочитали ці вказівки.** У руках недосвідчених людей електроінструменти являють собою серйозну небезпеку.
- ▶ **Електроінструменти та їх приладдя потребують дбайливого догляду. Ретельно перевіряйте, чи бездоганно працюють та чи не заклинюють рухомі частини, чи не зламалися або не зазнали інших пошкоджень деталі, від яких залежить справна робота електроінструмента. Перед початком роботи з інструментом пошкоджені деталі слід відремонтувати.** Багатош нещасних випадків можна уникнути за умови належного технічного обслуговування електроінструментів.
- ▶ **Слідкуйте за тим, щоб ріжучі інструменти завжди залишались чистими та належним чином заточеними.** Дбайливо доглянутий ріжучий інструмент із гострими різальними кромками не так часто заклинюється, і з ним легше працювати.
- ▶ **Під час експлуатації електроінструмента, приладдя до нього, робочих інструментів тощо дотримуйтеся наведених у цьому документі вказівок. При цьому завжди враховуйте умови в місці виконання робіт та дії, яких вимагає поставлене завдання.** Використання електроінструментів не за призначенням може призвести до виникнення небезпечних ситуацій.
- ▶ **Слідкуйте за тим, щоб поверхні рукояток були чистими та сухими, та не допускайте їхнього забруднення мастилом.** Якщо поверхні рукояток слизькі, це унеможлиблює впевнене контролювання електроінструмента у непередбачених ситуаціях.

Сервісне обслуговування

- ▶ **Доручайте ремонт електроінструмента лише кваліфікованому персоналу зі спеціальною підготовкою за умови використання тільки оригінальних запасних частин.** Це забезпечить функціональність електроінструмента.

2.2 Вказівки з техніки безпеки стосовно роботи з перфоратором

Указівки з техніки безпеки для виконання усіх типів робіт

- ▶ **Використовуйте захисні навушники.** Тривалий вплив шуму може призвести до втрати слуху.
- ▶ **Використовуйте додаткові рукоятки, що входять до комплекту постачання інструмента.** Адже втрата контролю над інструментом може стати причиною травмування.
- ▶ **Якщо під час виконання робіт змінний робочий інструмент може натрапити на приховану електропроводку або кабель живлення, утримуйте інструмент за ізольовані поверхні рукояток.** У разі контакту з електричним дротом, який знаходиться під напругою, металеві деталі інструмента також потраплять під напругу, а це може призвести до ураження електричним струмом.

2.3 Додаткові вказівки з техніки безпеки під час роботи з відбійним молотком

Безпека персоналу

- ▶ Користуйтеся лише повністю справним інструментом та приладдям.
- ▶ Вносити будь-які зміни до конструкції інструмента або приладдя заборонено.
- ▶ Перед добванням отворів у стелі, стінах і підлозі забезпечте собі надійну та міцну опору. Внаслідок раптового ривка інструмента Ви можете втратити рівновагу!
- ▶ Під час наскрізної обробки укріпіть відповідну ділянку поверхні з протилежного боку деталі. Осколки можуть розлітатися у різні боки та/або вниз і травмувати інших людей.
- ▶ Оператор та інші особи, які знаходяться поблизу місця проведення робіт, повинні під час застосування інструмента використовувати відповідні захисні окуляри, каску, захисні навушники та легкий респіратор.
- ▶ Під час заміни робочого інструмента користуйтеся захисними рукавицями. Контакт зі змінним робочим інструментом може призвести до отримання порізів або опіків.
- ▶ Використовуйте захисні окуляри. Уламки матеріалу можуть завдати поранень або пошкодити очі.
- ▶ Пилю, який утворюється під час шліфування, обробки наждачним папером, різання та свердління певних матеріалів, може містити небезпечні хімічні речовини. Деякі приклади таких матеріалів: свинець або фарби на основі свинцю; цегла, бетон та інші матеріали, що використовуються для споруджування стін, зокрема природний камінь та інші речовини, які містять силікати; певні види деревини, зокрема дуб або бук, а також деревина, яка пройшла хімічну обробку; азбест або матеріали, що містять азбест. Визначайте рівень впливу пилу на оператора та осіб, які знаходяться поблизу, приймаючи до уваги клас безпеки оброблюваних матеріалів. Вживайте потрібних заходів, щоб утримувати вплив пилу на мінімально можливому рівні, зокрема використовуйте систему видалення пилу або відповідний респіратор. До загальних заходів, спрямованих на зменшення впливу пилу, належать такі:
 - ▶ виконання робіт на добре провітряній ділянці;
 - ▶ уникнення тривалого контакту з пилом;



- ▶ недопущення контакту пилу з обличчям та тілом;
 - ▶ використання захисного одягу, а також миття засмічених ділянок водою з милом.
- ▶ Часто робіть перерви у роботі та виконуйте вправи на розминання пальців, щоб покращити кровообіг у них. Під час довготривалих робіт високочастотна вібрація може пошкодити судини або нерви у пальцях, руках або зап'ясткових суглобах.

Електрична безпека

- ▶ Перед початком роботи перевіряйте робоче місце на наявність прихованих електричних кабелів, газових та водопровідних труб. Якщо під час роботи будуть випадково пошкоджені електричні кабелі, газовий або водяний трубопровід, то їхній контакт із відкритими металевими деталями інструмента може спричинити ураження електричним струмом або вибух.

Належне використання електроінструментів та дбайливий догляд за ними

- ▶ Зачекайте, доки змінний робочий інструмент повністю зупиниться, перш ніж знімати його з оброблюваного об'єкта.

3 Опис

3.1 Огляд продукту



- ① Затискний патрон
- ② Пристрій для деблокування змінного робочого інструмента
- ③ Фіксатор вимикача
- ④ Вимикач
- ⑤ Задня рукоятка
- ⑥ Кабель живлення із рознімним з'єднувачем спеціальної форми

3.2 Використання за призначенням

Описаний у цьому документі інструмент являє собою електричний відбійний молоток. Він призначений для довальних робіт середньої важкості на цегляній кладці та бетоні.

- ▶ Експлуатація інструмента можлива лише за умови, що напруга і частота мережі живлення відповідають вказаним на заводській табличці значенням.


3.3 Комплект постачання

Відбійний молоток, інструкція з експлуатації.

Інше приладдя, допущене до експлуатації з Вашим інструментом, Ви можете придбати у **Hilti Store** або на веб-сайті www.hilti.group

4 Технічні дані

4.1 Відбійний молоток

 Номінальна напруга, номінальний струм, частота та номінальна споживана потужність вказані на заводській табличці інструмента, передбаченій для Вашої країни.

Якщо живлення інструмента здійснюється від генератора або трансформатора, то його вихідна потужність має принаймні вдвічі перевищувати номінальну споживану потужність, вказану на заводській табличці інструмента. Робоча напруга трансформатора або генератора повинна постійно перебувати у межах від +5 % до -15 % від номінальної напруги інструмента.

Цей інструмент відповідає діючим нормам за тієї умови, що максимально припустимий повний опір електричній мережі Zmax у точці підключення пристрою клієнта до мережі загального використання не



перевищує 0,401 Ом. Електромонтер або підприємство, що використовує інструмент, повинні (якщо це необхідно – після консультації з оператором мережі) подбати про те, щоб повний опір електричної мережі у місці підключення цього інструмента не перевищував значення Z_{max} .

	TE 500
Маса згідно з процедурою EPTA 01	4,9 кг
Клас захисту згідно з EN 60745	II

4.2 Дані про шум та значення вібрації, виміряні згідно зі стандартом EN 62841

Наведені у цих рекомендаціях значення звукового тиску та вібрації були виміряні згідно з установленою процедурою вимірювання та можуть використовуватися для порівняння електроінструментів. Вони також придатні для попереднього оцінювання шумового та вібраційного навантаження.

Наведені дані обумовлюють переважні сфери застосування електроінструмента. Однак якщо Ви використовуєте його не за призначенням, застосовуєте нестандартне приладдя або неналежним чином здійснюєте догляд за інструментом, ці дані можуть відрізнятись від вказаних значень. Це може призвести до помітного збільшення шумового та вібраційного навантаження протягом усього робочого часу.

Для більш точної оцінки шумового та вібраційного навантаження необхідно враховувати також проміжки часу, протягом яких виріб залишається вимкненим або працює на холостому ходу. Це може значно зменшити вібраційне та шумове навантаження протягом усього робочого часу.

Необхідно також вживати додаткових заходів безпеки з метою захисту працівників від дії шуму та/або вібрації, зокрема: проводити своєчасне технічне обслуговування електроінструмента та змінних робочих інструментів до нього, тримати руки у теплі, належним чином організовувати робочий процес.

Інформація про шум

	TE 500
Рівень шумової потужності (L_{WA})	100 дБ(А)
Похибка для рівня шумової потужності (K_{WA})	3 дБ(А)
Рівень звукового тиску (L_{pA})	89 дБ
Похибка для рівня звукового тиску (K_{pA})	3 дБ(А)

Інформація про вібрацію

	TE 500
Довбання отворів ($a_{h, Chetq}$)	13,5 м/с ²
Похибка (К)	1,5 м/с ²

5 Експлуатація

5.1 Підготовка до роботи

ОБЕРЕЖНО

Ризик отримання травм! Випадкове увімкнення інструмента.

- ▶ Виймайте штепсельну вилку кабелю живлення з розетки, перш ніж задавати налаштування інструмента або замінювати приладдя.

Дотримуйтеся попереджувальних вказівок та вказівок з техніки безпеки, наведених у цьому документі та на корпусі інструмента.

5.2 Приєднання знімного кабелю живлення

ОБЕРЕЖНО

Ризик отримання травм внаслідок ураження струмом витoku, що утворюється через забруднення контактів.

- ▶ Рознімний з'єднувач кабелю живлення слід приєднувати до електроінструмента тільки у тому випадку, коли інструмент від'єднаний від мережі живлення та знаходиться у чистому сухому стані.

1. Уставте рознімний з'єднувач спеціальної форми, розташований на кінці кабелю живлення, у відповідне гніздо інструмента до упору, доки він не зафіксується із чітким характерним звуком.



2. Уставте штепсельну вилку кабелю живлення в розетку.

5.3 Від'єднання змінного кабелю живлення від електроінструмента

1. Вийміть штепсельну вилку кабелю живлення з розетки.
2. Натисніть кнопку блокування та вийміть рознімний з'єднувач спеціальної форми, розташований на кінці кабелю живлення.
3. Вийміть кабель живлення з інструмента.

5.4 Установлення змінного робочого інструмента 2

1. Нанесіть мастило тонким шаром на хвостовик змінного робочого інструмента.
 - ▶ Використовуйте лише оригінальне мастило виробництва компанії **Hilti**. Використання неналежного мастила може спричинити несправність інструмента.
2. Уставте змінний робочий інструмент до упору у затискний патрон, після чого повертайте змінний робочий інструмент, доки він не увійде у зачеплення із Y-подібним кріпленням.
3. Відведіть назад пристрій для деблокування змінного робочого інструмента.
 - ▶ Тепер змінний робочий інструмент можна повністю вставити у затискний патрон.
4. Відпустіть пристрій для деблокування змінного робочого інструмента, щоб заблокувати змінний робочий інструмент.
5. Переконайтеся, що вставлений змінний робочий інструмент надійно зафіксований у патроні – для цього потягніть за робочий інструмент.
 - ▶ Інструмент готовий до роботи.

5.5 Виймання змінного робочого інструмента 3

- ▶ Відведіть пристрій для деблокування змінного робочого інструмента назад до упору та вийміть змінний робочий інструмент.

5.6 Установлення бокової рукоятки (опція) 4

1. Прокрутіть головку-фіксатор, щоб вивільнити тримач (стягну стрічку) бокової рукоятки.
2. Насадіть тримач (стягну стрічку) спереду через затискний патрон у відповідний паз.
3. Установіть бокову рукоятку у потрібне положення.
4. Прокрутіть головку-фіксатор, щоб зафіксувати тримач (стягну стрічку) бокової рукоятки.

5.7 Під час роботи



ПОПЕРЕДЖЕННЯ

Небезпека ураження електричним струмом! Якщо не використовувати дрід заземлення та автомат захисту від струму витоку, це може призвести до тяжких травм та опіків.

- ▶ Дрід заземлення та автомат захисту від струму витоку завжди повинні бути приєднані до електричного контуру будівельного майданчика – незалежно від того, чи здійснюється живлення від мережі або генератора.
- ▶ Не використовуйте інструмент без цих засобів безпеки.



ПОПЕРЕДЖЕННЯ

Небезпека через пошкодження кабелю! Якщо під час роботи було пошкоджено кабель живлення або подовжувальний кабель, негайно від'єднайте інструмент та кабелі від мережі живлення. Не торкайтеся пошкодженого місця!

- ▶ Регулярно перевіряйте усі з'єднувальні кабелі. Замінійте пошкоджені подовжувальні кабелі.

На виконання всіх робіт обов'язково отримайте дозвіл будівельного управління!

5.7.1 Позиціонування зубила 5



Зубило може бути виставлене в 24 різних позиціях (через кожні 15°). Це надає можливість працювати плоскими та фасонними зубилами в оптимальному для кожного їх різновиду робочому положенні.



1. Відведіть уперед пристрій для деблокування змінного робочого інструмента та утримуйте його у цьому положенні.
2. Поверніть у потрібне положення пристрій для деблокування змінного робочого інструмента разом із зубилом.
3. Відпустіть пристрій для деблокування змінного робочого інструмента, щоб зафіксувати потрібну позицію зубила.

5.7.2 Довбання отворів

1. Повільно натискайте на вимикач інструмента.



Змінюючи силу натискання на вимикач, Ви можете плавно підвищувати швидкість обертання до максимального значення.

2. Щоб вимкнути інструмент, відпустіть вимикач.

5.7.3 Увімкнення та вимкнення тривалого режиму роботи



У режимі довбання отворів вимикач може бути зафіксований в увімкнутому положенні.



1. Натисніть на вимикач (1), а потім – на фіксатор вимикача (2).
2. Відпустіть вимикач (1), а потім – фіксатор вимикача (2).
 - ▶ Тепер інструмент працюватиме у тривалому режимі.
3. Щоб вимкнути тривалий режим роботи, натисніть на вимикач (1), а потім знову відпустіть його.
 - ▶ Інструмент вимкнеться.

6 Догляд і технічне обслуговування



ПОПЕРЕДЖЕННЯ

Небезпека ураження електричним струмом! Здійснення догляду та технічного обслуговування інструмента, що підключений до мережі живлення, може призвести до тяжких травм та опіків.

- ▶ Завжди діставайте штекер кабелю живлення з розетки, перш ніж розпочинати роботи з догляду та технічного обслуговування!

Догляд

- Обережно видаляйте накопичення бруду.
- Обережно очищайте вентиляційні прорізи сухою щіткою.
- Протирайте корпус вологою тканиною. Забороняється використовувати миючі засоби, що містять силікон, оскільки вони можуть пошкодити пластмасові деталі.




ПОПЕРЕДЖЕННЯ

Небезпека ураження електричним струмом! Проведення неавторизованого ремонту електричних частин інструмента може призвести до отримання тяжких травм та опіків.

- ▶ До ремонту електричної частини інструмента залучайте лише фахівця-електрика.
- Регулярно перевіряйте усі зовнішні частини на наявність пошкоджень, а органи керування інструмента – на предмет справної роботи.
- Якщо Ви виявили пошкодження та/або порушення функціональності інструмента, припиніть його використання. негайно зверніться до сервісної служби компанії **Hilti** для здійснення ремонту.
- Після проведення догляду і технічного обслуговування встановіть усі захисні пристрої та перевірте їхню роботу.



Щоб гарантувати належну роботу інструмента, використовуйте тільки оригінальні запасні частини та видаткові матеріали. Рекомендовані запасні частини, видаткові матеріали та приладдя для Вашого інструмента Ви можете придбати у найближчому магазині **Hilti Store** або на веб-сайті www.hilti.group.

7 Транспортування та зберігання

- Забороняється транспортувати цей електроінструмент з установленим змінним робочим інструментом.
- На час зберігання електроінструмента слід завжди виймати штепсельну вилку із розетки.
- Зберігайте інструмент у сухому місці, недоступному для дітей та сторонніх осіб.
- Перш ніж використовувати інструмент після довготривалого зберігання або дальніх перевезень, його слід перевірити на наявність пошкоджень.

8 Допомога у разі виникнення несправностей

У разі виникнення несправностей, які не зазначені у цій таблиці або які Ви не можете полагодити самостійно, зверніться до сервісної служби компанії **Hilti**.

8.1 Пошук і усунення несправностей

Несправність	Можлива причина	Рішення
Інструмент не вмикається.	Пошкоджений кабель живлення або його штепсельна вилка.	▶ Зверніться до фахівця-електрика, щоб перевірити та за необхідності замінити кабель живлення або штепсельну вилку.
	Генератор знаходиться у режимі сну.	▶ Збільште навантаження на генератор, підключивши до нього ще один пристрій (наприклад, освітлювальну лампу для будівельного майданчика).
	Електрична несправність.	▶ Передайте інструмент та кабель живлення фахівцю-електрику для здійснення перевірки.
	Зношені вугільні щітки.	▶ Зверніться до фахівця-електрика, щоб перевірити інструмент; за необхідності замініть вугільні щітки.
	Знімний кабель живлення підключений неналежним чином.	▶ Належним чином підключіть до електроінструмента знімний кабель живлення.



Несправність	Можлива причина	Рішення
Відсутній удар.	Інструмент пошкоджений або потребує планового технічного обслуговування.	► Ремонт інструмента повинен здійснюватися тільки у сервісній службі компанії Hilti .
	Інструмент занадто холодний.	► Покладіть інструмент на робочу поверхню і дайте йому попрацювати на холостому ходу протягом деякого часу, щоб він прогрівся до робочої температури.
Інструмент працює не на повну потужність.	Подовжувальний кабель має занадто малий поперечний переріз.	► Використовуйте подовжувальний кабель із достатнім поперечним перерізом.
	Вимикач неповністю натиснуто.	► Натисніть на вимикач до упору.
Інструмент неможливо розблокувати.	Затиснений патрон неповністю відведено назад.	► Відведіть фіксатор змінного робочого інструмента назад до упору і вийміть робочий інструмент.

9 Утилізація

Більшість матеріалів, з яких виготовлено інструменти компанії **Hilti**, придатні для вторинної переробки. Передумовою для їхньої вторинної переробки є належне сортування відходів за типом матеріалу. У багатьох країнах світу компанія **Hilti** приймає старі інструменти для їхньої утилізації. Щоб отримати додаткову інформацію з цього питання, звертайтеся до сервісної служби компанії **Hilti** або до свого торгового консультанта.



- Не викидайте електроінструменти, електронні пристрої та акумуляторні батареї у баки для побутового сміття!

10 RoHS (директива КНП про обмеження використання небезпечних речовин)

Щоб переглянути таблицю з інформацією про небезпечні речовини, будь ласка, перейдіть за наступними посиланнями: qr.hilti.com/r7770034.

Посилання на таблицю з інформацією про речовини, включені до директиви RoHS, наведено наприкінці цього документа у вигляді QR-коду.

11 Гарантійні зобов'язання виробника

- З питань гарантії, будь ласка, звертайтеся до найближчого партнера компанії **Hilti**.

Түпнұсқа пайдалану бойынша нұсқаулық

1 Пайдалану бойынша нұсқаулық туралы мәліметтер

1.1 Бұл құжаттама туралы



Импорттауыш және өндірушінің өкілетті ұйымы

- (RU) Ресей Федерациясы
"Хилти Дистрибушн ЛТД" АҚ, 141402, Мәскеу облысы, Химки қ., Ленинградская к-сі, 25-бет, 15.26-құрылымы



- (BY) Беларусь Республикасы
"Хилти БиУай" ЖШС, 222750, Минск облысы, Дзержин ауданы, Р-1, 18 км, 2 (Слободка ауылының жанында), 1-34 құрылымы
- (KZ) Қазақстан Республикасы
"Хилти Қазақстан" ЖШС, 050057, Алматы қ., Бостандық ауданы, Тимирязев к-сі, 42/15 үй, литер 012 (15 корпус)
- (KG) Қырғыз Республикасы
"Т AND Т" ЖШҚ, 720021, Қырғызстан, Бішкек қ., Ибраимов көш., 29 А үйі
- (AM) Армения Республикасы
"ЭЙЧ-КОН" ЖШҚ, 0070, Ереван қ., Ерманда Кочар к-сі, 19/28

Өндірілген елі: жабдықтағы белгілеу тақтайшасын қараңыз.

Өндірілген күні: жабдықтағы белгілеу тақтайшасын қараңыз.

Тиісті сертификатты мына мекенжай бойынша табуға болады: www.hilti.ru

Сақтау, тасымалдау және пайдалану шарттарына пайдалану бойынша нұсқаулықта белгіленгеннен басқа арнайы талаптар қойылмайды.

Өнімнің қызмет ету мерзімі 5 жыл.

- Іске қосу алдында осы пайдалану бойынша нұсқаулықты оқып шығыңыз. Бұл қауіпсіз жұмыс пен ақаусыз басқару үшін алғышарт болып табылады.
- Осы пайдалану бойынша нұсқаулықтағы және өнімдегі қауіпсіздік және ескерту нұсқауларын орындаңыз.
- Пайдалану бойынша нұсқаулықты әрдайым өнімде сақтаңыз және өнімді басқа тұлғаларға тек осы пайдалану бойынша нұсқаулықпен бірге тапсырыңыз.

1.2 Шартты белгілердің анықтамасы

1.2.1 Ескерту

Ескертулер өнімді қолдану барысындағы қауіптер туралы ескертеді. Төмендегі сигналдық сөздер пайдаланылады:

ҚАУІПТІ

ҚАУІПТІ !

- ▶ Ауыр жарақаттарға әкелетін немесе өмірге қауіп төндіретін тікелей қауіпті жағдайдың жалпы белгіленуі.

ЕСКЕРТУ

ЕСКЕРТУ !

- ▶ Ауыр жарақаттарға әкелуі немесе өмірге қауіп төндіруі мүмкін ықтимал қауіпті жағдайдың жалпы белгіленуі.





АБАЙПАҢЫЗ

АБАЙПАҢЫЗ !

- ▶ Жарақат алуға немесе мүлктің зақымдалуына әкелуі мүмкін ықтимал қауіпті жағдайдың жалпы белгіленуі.

1.2.2 Пайдалану бойынша нұсқаулықтағы белгілер

Бұл пайдалану бойынша нұсқаулықта төмендегі белгілер пайдаланылады:

	Пайдалану бойынша нұсқаулықты ұстану
	Аспапты пайдалану бойынша нұсқаулар және басқа пайдалы ақпарат
	Қайта пайдалануға болатын материалдармен жұмыс істеу
	Электр аспаптарды және аккумуляторларды тұрмыстық қоқысқа тастамаңыз



1.2.3 Суреттердегі белгілер

Суреттерде төмендегі белгілер қолданылады:

	Бұл сандар осы пайдалану бойынша нұсқаулықтың басындағы тиісті суретке сәйкес келеді.
3	Суреттердегі нөмірлер маңызды жұмыс кезеңдерін немесе жұмыс кезеңдері үшін маңызды құрамдас бөлшектерді көрсетеді. Мәтінде бұл жұмыс кезеңдері немесе құрамдас бөлшектері сәйкес сандармен ерекшеленеді, мысалы, (3).
	Позиция нөмірлері Шолу суретінде қолданылады және Өнімге шолу мақаласындағы шартты белгілердің нөмірлеріне сілтейді.
	Аталмыш белгілер өнімді қолдану барысында айрықша назарыңызды аудартады.

1.3 Өнімге қатысты белгілер

1.3.1 Өнімдегі белгілер

Өнімде төмендегі белгілер пайдаланылуы мүмкін:

	Құрылғы iOS және Android платформаларымен үйлесімді NFC технологиясын қолдайды.
--	---

1.4 Өнім туралы ақпарат

HILTI өнімдері кәсіби пайдаланушыларға арналған және оларды тек қана өкілетті, білікті қызметкерлер пайдалануы, күтім және техникалық қызмет көрсетуі тиіс. Қызметкерлер қауіпсіздік техникасы бойынша арнайы нұсқау алуы керек. Өнім мен оның қосалқы құралдарын басқа мақсатта қолдану немесе олардың оқытылмаған қызметкерлердің таралынан пайдаланылуы қауіпті.

Түр сипаттамасы мен сериялық нөмір фирмалық тақтайшада берілген.

- Сериялық нөмірді төмендегі кестеге көшіріп қойыңыз. Өнім туралы мәліметтерді өкілдігімізге немесе қызмет көрсету бөлімімізге сұрау беру арқылы алуға болады.

Өнім туралы мәліметтер

Кен балғасы	TE 500
Буын	03
Сериялық нөмір	

1.5 Сәйкестілік декларациясы

Біз осы нұсқаулықта сипатталған өнімнің қолданыстағы директивалар мен нормативтерге сәйкес келетінін толық жауапкершілікпен жариялаймыз. Сәйкестілік декларациясының суреті осы құжаттаманың соңында орналасқан.

Техникалық құжаттама мына жерде сақталған:

Hilti Entwicklungsgesellschaft mbH | Zulassung Geräte | Hiltistraße 6 | 86916 Kaufering, DE

2 Қауіпсіздік

2.1 Электр құралдары үшін қауіпсіздік техникасы бойынша жалпы нұсқаулар

⚠ ЕСКЕРТУ Бұл электр құралына арналған барлық қауіпсіздік нұсқауларын, нұсқауларды, суреттерді және техникалық деректерді оқып шығыңыз. Төменде берілген нұсқауларды орындамай электр тогының соғуына, өртке әкелуі мүмкін және/немесе ауыр жарақаттарды тудыруы мүмкін.

Қауіпсіздік техникасы бойынша барлық нұсқауларды және нұсқауларды келесі пайдаланушы үшін сақтаңыз.

Қауіпсіздік нұсқауларында қолданылатын «электр құралы» термині электр желісінен (желілік кабельмен) және аккумулятордан (желілік кабельсіз) жұмыс істейтін электр құралын білдіреді.

Жұмыс орны

- **Жұмыс орнындағы тазалықты және тәртіпті қадағалаңыз.** Жұмыс орнындағы ретсіздік және нашар жарық сәтсіз жағдайларға әкелуі мүмкін.
- **Жанғыш сұйықтықтар, газдар немесе шаң бар жарылыс қаупі бар аймақта электр құралын қолданбаңыз.** Жұмыс кезінде электр құралдары ұшқындар шығады және ұшқындар шаңды немесе буларды тұтандыруы мүмкін.



- ▶ Балалардың және бөгде адамдардың жұмыс істеп тұрған электр құралына жақындауына рұқсат етпеңіз. Жұмысқа көңіл бөлмегенде, электр құралын бақылау жоғалуы мүмкін.

Электр қауіпсіздігі

- ▶ Электр құралдың байланыс ашасы электр желісінің розеткасына сай болуы керек. Айырдың конструкциясын өзгертпеңіз. Қорғауыш жерге қосуы бар электр құралдарымен бірге өтпелі айырларды қолданбаңыз. Түпнұсқа айырлар және оларға сай розеткалар электр тогының соғу қаупін азайтады.
- ▶ Жерге қосылған беттерге, мысалы, құбырларға, жылыту құралдарына, пештерге (плиталарға) және тоназытқыштарға тікелей тиюді болдырмаңыз. Жерге қосылған заттарға тигенде электр тогының соғуының үлкен қаупі туындайды.
- ▶ Электр құралдарды жаңбырдан немесе ылғал әсерінен сақтаңыз. Электр құралға су тиюі нәтижесінде электр тогының соғу қаупі артады.
- ▶ Байланыс сымын басқа мақсатта қолданбаңыз, мысалы, электр құралды тасымалдау, оны іліп қою немесе электр желісінің розеткасынан айырды шығару үшін. Байланыс сымын жылу, май, өткір жиіктер немесе жылжымалы бөліктерден алшақ ұстаңыз. Байланыс сымының зақымдалуы немесе қабаттасуы нәтижесінде электр тогының соғу қаупі артады.
- ▶ Егер жұмыстар ашық ауада орындалса, тек бөлмелерден тыс қолдануға рұқсат етілген ұзартқыш сымдарды пайдаланыңыз. Бөлмелерден тыс қолдануға жарамды ұзартқыш сымды пайдалану электр тогының соғу қаупін азайтады.
- ▶ Егер электр құралмен ылғалдылық жағдайларында жұмыс істеуді болдырмау мүмкін емес болса, шығып кететін токтан қорғау автоматын қолданыңыз. Шығып кететін токтан қорғау автоматын қолдану электр тогының соғу қаупін азайтады.

Адамдардың қауіпсіздігі

- ▶ Ұқыпты болыңыз, әрекеттеріңізге көңіл бөліңіз және электр құралымен жұмыс істеуге дұрыс қараңыз. Шаршаған кезде немесе есірткі, алкоголь не дәрі қабылдаған соң электр құралын қолданбаңыз. Электр құралын қолданған кездегі зейінсіздік ауыр жарақаттарға апарып соғуы мүмкін.
- ▶ Жеке қорғану құралдарын пайдаланыңыз және әрқашан міндетті түрде қорғауыш көзілдірікті киіңіз. Электр құралының түріне және пайдалану жағдайларына байланысты жеке қорғану құралдарын, мысалы, шаңнан қорғайтын респираторды, сырғымайтын аяқ киімді, қорғауыш шлемді, естуді қорғау құралдарын қолдану жарақаттану қаупін азайтады.
- ▶ Электр құралының кездейсоқ қосылуын болдырмаңыз. Электр қуатына қосу және/немесе аккумуляторды қою, көтеру немесе тасымалдау алдында электр құралы өшірілгеніне көз жеткізіңіз. Электр құралын тасымалдағанда саусақтар сөндіргіште болатын немесе қосылған электр құралы желіге қосылатын жағдайлар сәтсіз жағдайларға әкелуі мүмкін.
- ▶ Электр құралын қосу алдында реттеуші құрылғыларды және гайка кілтін алыңыз. Электр құралының айналатын бөлігіндегі аспап немесе кілт жарақаттарға әкелуі мүмкін.
- ▶ Жұмыс кезінде ыңғайсыз қалыптарға тұрмауға тырысыңыз. Үнемі тұрақты күйді және тепе-теңдікті сақтаңыз. Бұл күтпеген жағдайларда электр құралын жақсырақ басқаруға мүмкіндік береді.
- ▶ Арнайы киімді киіңіз. Өте бос киімді немесе әшекейлерді кимеңіз. Шашты, киімді және қолғапты электр құралының айналатын түйіндерінен сақтаңыз. Бос киім, әшекейлер және ұзын шаш оларға ілінуі мүмкін.
- ▶ Егер шаңды жинау және кетіруге арналған құрылғыларды қосу қарастырылған болса, олар қосылғанына және мақсаты бойынша қолданылып жатқанына көз жеткізіңіз. Шаңды кетіру модулін пайдалану шаңның зиянды әсерін азайтады.
- ▶ Өз мойныңызға қате қауіпсіздік сезімін алмаңыз және электр құралына арналған қауіпсіздік ережелерін бұзбаңыз, тіпті электр құралын жиі қолданатын тәжірибелі пайдаланушы болсаңыз. Мұқиятсыз қолдану бірнеше секундта ауыр жарақаттануға апарып соғуы мүмкін.

Электр құралын қолдану және оған қызмет көрсету

- ▶ Аспақша шамадан тыс жүктеме түсуін болдырмаңыз. Нақ осы жұмысқа арналған электр құралын қолданыңыз. Бұл ережені сақтау көрсетілген қуат диапазонында жоғарырақ жұмыс сапасын және қауіпсіздігін қамтамасыз етеді.
- ▶ Сөндіргіші бұзылған электр құралын қолданбаңыз. Қосу немесе өшіру қиын электр құралы қауіпті және оны жөндеу керек.
- ▶ Электр құралын реттеуге, саймандарды ауыстыруға кірісу алдында немесе жұмыстағы үзіліс алдында розеткадан ашаны және/немесе электр құралынан алмалы-салмалы аккумуляторды шығарыңыз. Бұл сақтық шарасы электр құралының кездейсоқ қосылуын болдырмайды.



- ▶ Қолданылмайтын электр құралдарын балалар жетпейтін жерде сақтаңыз. Аспаппен таныс емес немесе осы нұсқауларды оқып шықпаған адамдарға аспапты пайдалануға рұқсат бермеңіз. Электр құралдары тәжірибесі жоқ пайдаланушылардың қолында қауіпті болады.
- ▶ Электр құралдары мен керек-жарақтарға ұқыпты қараңыз. Айналымды бөліктердің мүлтіксіз қызмет ететінін, олардың жүрісінің жеңілдігін, барлық бөліктердің тұтастығын және электр құралының жұмысына теріс әсер етуі мүмкін зақымдардың жоқтығын тексеріңіз. Аспаптың зақымдалған бөліктерін оны қолдану алдында жөндеуге өткізіңіз. Электр құралына техникалық қызмет көрсету ережелерін сақтамау көп сәтсіз жағдайлардың себебі болып табылады.
- ▶ Кескіш аспаптардың үшкір және таза болуын қадағалау керек. Жұмыс күйінде сақталатын кескіш аспаптардың сыналануы сиректеу болады, оларды басқару жеңілдеу.
- ▶ Электр құралын, саймандарды, көмекші құрылғыларды және т.б. нұсқауларға сай пайдаланыңыз. Бұл кезде жұмыс жағдайларын және орындалатын жұмыстың сипатын ескеріңіз. Электр құралдарын басқа мақсаттарда қолдану қауіпті жағдайларға әкелуі мүмкін.
- ▶ Тұтқыштар мен тұтқыш беттерін таза, құрғақ, май іздеріңіз ұстаңыз. Сырғанақ тұтқыштар мен олардың беттері белгілі бір жағдайларда электр құралының қауіпсіз қолданылуы мен басқарылуына жол бермейді.

Қызмет көрсету

- ▶ Электр құралын жөндеуді тек түпнұсқа қосалқы бөлшектерді қолданатын білікті қызметкерлерге сеніп тапсырыңыз. Бұл электр құралын қауіпсіз күйде сақтауды қамтамасыз етеді.

2.2 Перфораторлармен жұмыс істеу кезіндегі қауіпсіздік техникасы бойынша нұсқаулар

Барлық жұмыстарға арналған қауіпсіздік техникасы бойынша нұсқаулар

- ▶ Қорғауыш құлаққапты киіңіз. Шу әсерінің нәтижесінде есту қабілеті жоғалуы мүмкін.
- ▶ Аспап жинағына кіретін қосымша тұтқыштарды қолданыңыз. Аспапты басқаруды жоғалту жарақаттарға әкелуі мүмкін.
- ▶ Аспаптың жасырын электр сымдарын немесе желілік кабельді зақымдау қауіп болғанда аспапты оқшауланған беттерінен ұстаңыз. Электр сымдарына тигенде аспаптың қорғалмаған металл бөліктері кернеу астында болады. Бұл электр тогының соғуына әкелуі мүмкін.

2.3 Қауіпсіздік бойынша қосымша нұсқаулар, қашайтын балға

Адамдардың қауіпсіздігі

- ▶ Өнімді және керек-жарақтарды тек техникалық мінсіз күйінде қолданыңыз.
- ▶ Өнімде немесе керек-жарақтарда ешқандай манипуляциялар не өзгерістер орындамаңыз.
- ▶ Төбе, қабырға мен еденді кескішпен өңдеу кезінде қауіпсіз және тұрақты күйді сақтаңыз. Кенет жарылу нәтижесінде тепе-теңдігіңіз бұзылуы мүмкін!
- ▶ Тесіп өтетін бұрғылау кезінде қауіпті аймақты қабырғаның қарама-қарсы жағынан қоршаңыз. Сыртқа шығатын және/немесе төмен түсетін сынықтар адамдарға жарақат тигізуі мүмкін.
- ▶ Аспапты қолданған кезде өзіңіз бен жұмыс аймағындағы тұлғалар арнайы қорғауыш көздірік, қорғауыш шлем, қорғауыш құлаққап және жеңіл респиратор киіп жүруі керек.
- ▶ Құралды алмастырған кезде қорғауыш қолғап киіңіз. Алмалы-салмалы аспапқа тию кесіктерге және күйіктерге апарып соғуы мүмкін.
- ▶ Көз қорғанысын пайдаланыңыз. Материалдың сынықтары денені және көзді жарақаттауы мүмкін.
- ▶ Ажарлау, егеуқұм қағазымен тазалау, кесу және бұрғылау кезінде пайда болатын шаңның құрамында қауіпті химиялық заттар болуы мүмкін. Мысалдары келесідей: қорғасын немесе қорғасын негізіндегі боюлар; плитка, бетон және басқа кірпіш қалау өнімдері, табиғи тас және басқа силикаттық өнімдер; өмен, шамшат және химиялық затпен өңделген сүрек сияқты белгілі бір сүрек түрлері; асбест немесе құрамында асбест бар материалдар. Пайдаланушы мен оның айналасындағы адамдарға әсер ету дәрежесін өңдеу орындалатын материалдардың қауіп класы бойынша анықтаңыз. Әсерді қауіпсіз деңгейде сақтау үшін шаң жинайтын жүйелерді пайдалану немесе арнайы тыныс алу органдарының қорғанысын киіп жүру сияқты қажетті шараларды қолданыңыз. Әсер ету дәрежесін азайту бойынша жалпы шараларға төмендегілер жатады:
 - ▶ Жақсы желдетілген аймақта жұмыс істеу,
 - ▶ Шаңның ұзақ уақыт бойы тиюіне жол бермеу,
 - ▶ Шаңды көз бен денеден алыстату,
 - ▶ Қорғаныс киімін киіп жүру және әсер етілген жерлерді сумен және сабынмен жуу.
- ▶ Саусақтың қан айналымын жақсарту үшін жиі үзіліс жасап, жаттығу жасаңыз. Ұзақ уақыт жұмыс істеген кезде, қатты дірілдердің салдарынан саусақ, қол не буындардың қан тамыры не жүйкесіне теріс әсер тиюі мүмкін.



Электр қауіпсіздігі

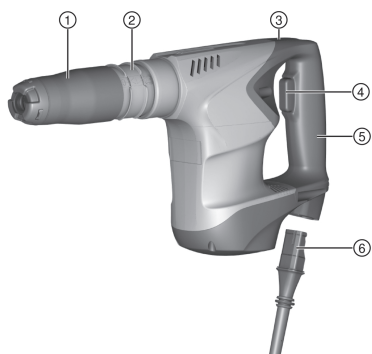
- ▶ Жұмысты бастамас бұрын жұмыс аймағында жасырын сымдардың, газ бен су құбырларының бар-жоғын тексеріп шығыңыз. Қуат сымына, газ немесе су құбырына зақым келтірген жағдайда, өнімнің сыртындағы металл бөліктер ток соғуға немесе жарылысқа әкелуі мүмкін.

Электр құралмен дұрыс жұмыс істеу және оны дұрыс пайдалану

- ▶ Өнімді алып тастау алдында ол толығымен тоқтағанша күтіңіз.

3 Сипаттама

3.1 Өнімге шолу



- ① Құрал бекіткіші
- ② Құрал босатқышы
- ③ Негізгі сөндіргіш бекіткіші
- ④ Негізгі сөндіргіш
- ⑤ Артқы тұтқа
- ⑥ Қодталған, алмалы-салмалы электрлік қосқышы бар желілік кабель

3.2 Мақсатына сай қолдану

Сипатталған өнім электрлік қашайтын балға болып табылады. Ол кірпіш қалау мен бетонда орташа ауыр қашау жұмыстарына арналған.

- ▶ Аспапты тек фирмалық тақтайшада көрсетілгендей электр желісінің кернеуі болғанда пайдалануға мүмкін болады.

3.3 Жеткізілім жинағы

Қашайтын балға, пайдалану бойынша нұсқаулық.

Оған қоса өніміңіз үшін рұқсат етілген жүйелік өнімдерді **Hilti Store** дүкенінде немесе мына веб-сайттан табуға болады: www.hilti.group

4 Техникалық сипаттамалар

4.1 Қашайтын балға

Номиналды кернеу, номиналды ток, жиілік және номиналды тұтынылатын қуат туралы ақпарат елге тән фирмалық тақтайшада берілген.

Генераторда немесе трансформаторда жұмыс істеген кезде, осы шығыс қуат аспаптың фирмалық тақтайшасында көрсетілген номиналды тұтынылатын қуаттан кем дегенде екі есе жоғары болуы керек. Трансформатор немесе генератордың басқару кернеуі әрдайым аспаптың номиналды тұтынылатын қуатының +5 % және -15 % аралығында болуы керек.

Бұл аспап клиенттің жабдығы қоғамдық желімен қосылу нүктесінде Z_{max} максималды рұқсат етілген желі қарсылығы $0,401 \Omega$ шамасынан төмен немесе оған тең болуы алғышартымен тиісті нормасына сәйкес келеді. Қажет болса, желі операторымен келісу бойынша құрастыруды іске асыратын тұлға немесе пайдаланушы құрылғы желіге Z_{max} шамасынан кем немесе оған тең толық кедергі мөнімен тек бір қосу нүктесінде қосылғанын қамтамасыз етуге міндетті.

	TE 500
ЕРТА 01 процедурасы бойынша салмағы	4,9 кг
EN 60745 стандарты бойынша қорғаныс класы	II



4.2 EN 62841 стандарты бойынша шуыл туралы ақпарат және діріл мәні

Осы нұсқауларда көрсетілген дыбыс қысымы мен діріл деңгейі стандартты өлшеу әдісімен өлшенген және оны басқа электр құралдарымен салыстыру үшін пайдалануға болады. Сонымен бірге, ол экспозицияны алдын ала бағалау үшін жарайды.

Берілген деректер электр құралының негізгі жұмысын көрсетеді. Алайда, егер электр құралы басқа мақсаттарда, басқа жұмыс аспаптарымен қолданылса немесе оған қанағаттандырмайтын техникалық қызмет көрсетілсе, деректер өзгеше болуы мүмкін. Осының салдарынан аспаптың бүкіл жұмыс істеу кезеңінде экспозиция айтарлықтай артуы мүмкін.

Экспозицияны дәл анықтау үшін электр құралы сөндірілген күй немесе бос жұмыс істейтін уақыт аралықтарын да ескеру керек. Осының салдарынан аспаптың бүкіл жұмыс істеу кезеңінде экспозиция айтарлықтай азаюы мүмкін.

Пайдаланушыны пайда болатын шуылдан және/немесе дірілден қорғау үшін қосымша сақтық шараларын қолданыңыз, мысалы: электр аспабына және жұмыс аспаптарына техникалық қызмет көрсету, қолдардың жылуын сақтау, жұмыс процестерін дұрыс ұйымдастыру.

Шуыл туралы ақпарат

	TE 500
Дыбыс күшінің деңгейі (L_{WA})	100 дБ(A)
Дыбыс күшінің деңгейі бойынша дәлсіздік (K_{WA})	3 дБ(A)
Дыбыс қысымының деңгейі (L_{pA})	89 дБ
Дыбыс қысымының деңгейі бойынша дәлсіздік (K_{pA})	3 дБ(A)

Діріл туралы ақпарат

	TE 500
Қашау ($a_{n,Choc}$)	13,5 м/с ²
Дәлсіздік (K)	1,5 м/с ²

5 Қызмет көрсету

5.1 Жұмысқа дайындық

АБАЙЛАҢЫЗ

Жарақат алу қаупі бар! Өнімнің кездейсоқ іске қосылуы.

- ▶ Аспап реттеулерін орындау немесе қосалқы бөлшектерді алмастыру алдында желілік ашаны тартып шығарыңыз.

Осы құжаттамадағы және өнімдегі қауіпсіздік және ескерту нұсқауларын орындаңыз.

5.2 Алмалы-салмалы желілік кабельді жалғау

АБАЙЛАҢЫЗ

Жарақат алу қаупі контактілер кірленген жағдайда кему тогы арқылы.

- ▶ Ажырайтын электрлік қосқышты тек таза, құрғақ әрі тартылыссыз күйінде электрлік аспапқа жалғаңыз.

1. Кодталған, алмалы-салмалы электрлік штепсельдік жалғағышты шерту дыбысымен тірелгенше өнімге салыңыз.
2. Желілік кабель ашасын розеткаға салыңыз.

5.3 Алмалы-салмалы желілік кабельді электрлік аспаптан ажырату

1. Кабель ашасын желілік розеткадан шығарыңыз.
2. Төжегіш түймені басып, кодталған, алмалы-салмалы электрлік қосқышты ажыратыңыз.
3. Желілік кабельді аспаптан тартып шығарыңыз.



5.4 Құралды орнату 2

1. Алмалы-салмалы аспап ұшын аздап майлаңыз.
 - ▶ Тек **Hilti** компаниясы ұсынған түпнұсқа жағармай қолданыңыз. Қате майды қолдану аспапқа зақым келтіруі мүмкін.
2. Құралды тірелгенше құрал бекіткішіне салып, оны Y тәрізді бекіткіш жанасқанша бұраңыз.
3. Құралды құлыптан босату тетігін кері тартыңыз.
 - ▶ Құралды енді толықтай құрал бекіткішіне орнатуға болады.
4. Құралды құлыптау үшін құралды құлыптан босату тетігін босатыңыз.
5. Орнатқаннан кейін қысқыда берік бекітілгеніне көз жеткізу үшін жұмыс аспабын өзіңізге тартыңыз.
 - ▶ Өнім жұмысқа дайын.

5.5 Құралды шығару 3

- ▶ Құралды құлыптан босату тетігін шегіне дейін артқа тартыңыз және алмалы-салмалы аспапты шығарыңыз.

5.6 Бүйірлік тұтқышты орнату (қосымша) 4

1. Бүйірлік тұтқыштың ұстағышын (тартылмалы таспаны) босату үшін, тұтқыш бойынша айналдырыңыз.
2. Ұстағышты (тартылмалы таспаны) алдыңғы жақтан құрал бекіткіші арқылы арнайы қарастырылған гайкаға дейін жылжытыңыз.
3. Бүйірлік тұтқышты қалаулы орынға орналастырыңыз.
4. Бүйірлік тұтқыштың ұстағышын (тартылмалы таспаны) керу үшін, тұтқыш бойынша айналдырыңыз.

5.7 Жұмыс істеу

ЕСКЕРТУ

Ток соғу қаупі! Бүлінген жерге тұйықтаушы сым мен автоматты ажыратқыш ауыр жарақаттарға және өртке апарып соғуы мүмкін.

- ▶ Құрылыс алаңындағы желі немесе генераторға қосылған электрлік жеткізуші сымда әрдайым жерге тұйықтаушы сымдар мен автоматты ажыратқыш бар екендігін және қосылып тұрғанын қадағалап тұрыңыз.
- ▶ Осы қауіпсіздік құралдарынсыз ешбір өнімді іске қоспаңыз.

ЕСКЕРТУ

Зақымдалған кабельден қауіп бар! Егер жұмыс барысында желілік немесе ұзартқыш кабельге зақым тисе, аспап пен кабельді дереу желіден ажыратыңыз. Бүлінген жерлерге тиіменіз!

- ▶ Барлық жалғағыш сымдарды жүйелі түрде тексеріп тұрыңыз. Бүлінген ұзартқыш кабельді алмастырыңыз.

Жұмыстарды құрылыс басқармасы толық көлемде мақұлдауы керек!

5.7.1 Кескішті орналастыру 5



Кескішті 24 түрлі позицияға (15° қадамға) орнатуға болады. Осының есебінен жалпақ және қалыпқа түсірілген кескіштерді қажетті жұмыс күйіне орнатуға болады.

1. Құралды құлыптан босату тетігін алға жылжытыңыз және осы позицияда ұстап тұрыңыз.
2. Құралды құлыптан босату тетігін кескішпен бірге қажетті позицияға бұраңыз.
3. Кескішті осы позицияда құлыптау үшін құралды құлыптан босату тетігін жіберіңіз.

5.7.2 Қашау

1. Негізгі сөндіргішті баяу басыңыз.




Негізгі сөндіргіштің басылу тереңдігіне байланысты айналу жиілігін байсалды түрде максималды деңгейіне дейін реттеуге болады.

2. Аспапты өшіру үшін негізгі сөндіргішті жіберіңіз.



5.7.3 Үздіксіз жұмыс режимін қосу/өшіру

 Қашау режимінде негізгі сөндіргішті басылған күйде бекітуге болады.



1. Негізгі сөндіргішті 1, содан кейін оның бекіткішін 2 басыңыз.
2. Негізгі сөндіргішті 1, содан кейін оның бекіткішін 2 жіберіңіз.
 - ▶ Өнім енді үздіксіз жұмыс режимінде істеп тұр.
3. Үздіксіз жұмыс режимін өшіру үшін негізгі сөндіргішті 1 басып, қайтадан жіберіңіз.
 - ▶ Өнім өшіп қалады.

6 Күтім және техникалық қызмет көрсету

ЕСКЕРТУ

Ток соғу қаупі бар! Желілік аша енгізіліп тұрған кезде күтім және техникалық қызмет көрсету ауыр жарақаттарға және өртке апарып соғуы мүмкін.

- ▶ Кез келген күтім және техникалық қызмет көрсету жұмысын орындамас бұрын желілік ашаны әрдайым суырып алыңыз!

Аспапты күту


- Қатты жабысқан кірді мұқият кетіріңіз.
- Желдету ойықтарын құрғақ қылшақпен жайлап тазалаңыз.
- Корпусты тек сәл суланған шүберекпен тазалаңыз. Ешқандай силикон қамтитын күтім құралдарын пайдаланбаңыз, өйткені олар пластмасса бөлшектерін зақымдауы мүмкін.

Техникалық қызмет көрсету

ЕСКЕРТУ

Ток соғу қаупі! Электрлік құрамдас бөлшектерді қате жөндеу ауыр жарақаттану мен өртке апарып соғуы мүмкін.

- ▶ Аспаптың электр бөлігін жөндеуді тек маман-электрикке тапсырыңыз.
- Барлық көзге көрінетін бөлшектерде зақымдардың бар-жоғын және басқару элементтерінің ақаусыз жұмысын жиі тексеріп тұрыңыз.
- Өнім зақымдалған және/немесе ақаулы болған жағдайда оны пайдаланушы болмаңыз. Бірден **Hilti** қызмет көрсету орталығына жөндетіңіз.
- Күтім және техникалық қызмет көрсету жұмыстарынан кейін барлық қорғауыш құрылғыларды орнатып, жұмысын тексеріңіз.

 Қауіпсіз қолдану үшін тек түпнұсқа қосалқы бөлшектер мен жұмсалатын материалдарды қолданыңыз. Біз рұқсат еткен қосалқы бөлшектер, шығын материалдары мен өнімге арналған керек-жарақтар **Hilti Store** дүкенінде немесе келесі веб-сайтта қолжетімді: www.hilti.group.



7 Тасымалдау және сақтау

- Электр аспапты енгізілген құралымен бірге тасымалдамаңыз.
- Электр аспапты әрқашан ажыратылған ашасымен бірге сақтаңыз.
- Аспапты құрғақ күйінде және балалар мен рұқсаты жоқ адамдардың қолы жетпейтін жерде сақтаңыз.
- Электр аспапты ұзақ уақыт тасымалдаған не сақтаған соң, оны пайдалану алдында зақымдардың бар-жоғын тексеріңіз.

8 Ақаулықтардағы көмек

Бұл кестеде келтірілмеген немесе өзіңіз түзете алмайтын ақаулықтар орын алғанда, **Hilti** қызмет көрсету орталығына хабарласыңыз.

8.1 Ақаулықтарды жою

Ақаулық	Ықтимал себеп	Шешім
Аспап жұмыс істемейді.	Желілік кабель немесе аша жұмыс істемейді.	▶ Желілік кабель не ашаны тексеру үшін электрші маманға барыңыз және қажет болса, ауыстырыңыз.
	Генератор ұйқы режимінде.	▶ Генераторға екінші тұтынушы жүктеңіз (мысалы, құрылыс шамы).
	Электр бөлігі бойынша ақаулық.	▶ Аспап пен берілісті тексеру жұмысын электрші маманға тапсырыңыз.
	Көмір қылшақтары тозған.	▶ Аспапты тексеру үшін электрші маманға барыңыз және қажет болса, көмір қылшақтарын ауыстырыңыз.
	Алмалы-салмалы желілік кабель дұрыс жалғанбаған.	▶ Алмалы-салмалы желілік кабельді электрлік аспапқа дұрыстап жалғаңыз.
Соққымен бұрғылау орындалмайды.	Аспапта зақымдар бар немесе қызмет көрсету мерзімі шегіне жетті.	▶ Өнімді тек Hilti қызмет көрсету орталығында ғана жөндетіңіз.
	Аспап тым суық.	▶ Ең аз жұмыс температурасына жеткізу үшін, аспапты аз уақытқа қосыңыз және оған бос жүрісте жұмыс істеуге мүмкіндік беріңіз.
Аспап толық қуатпен жұмыс істемейді.	Ұзартқыш кабельдің көлденең қимасы тым кішкентай.	▶ Қимасы жеткілікті ұзартқыш кабельді қолданыңыз.
	Негізгі сөндіргіш толық басылмаған.	▶ Негізгі сөндіргішті тірелгенше басыңыз.
Аспап бекіткіштен босатылмайды.	Құрал бекіткіші толық босатылмаған.	▶ Бекіткішті артқа тірелгенше шығарыңыз және жұмыс аспабын шығарыңыз.

9 Көдеге жарату

Hilti аспаптары қайта өңдеу үшін жарамды көптеген материалдардың санын қамтиды. Көдеге жарату алдында материалдарды мұқият сұрыптау керек. Көптеген елдерде **Hilti** компаниясы ескі аспабыңызды қайта өңдеу үшін қайта қабылдайды. **Hilti** қызмет көрсету орталығынан немесе дилеріңізден сураныңыз.



- ▶ Электр құралдарды, электрондық құрылғылар мен аккумуляторларды тұрмыстық қоқыспен бірге тастамаңыз!



10 RoHS (зиянды заттектердің пайдаланылуын шектеу директивасы)

Төмендегі сілтемелер бойынша зиянды заттектердің кестесі келтірілген: qr.hilti.com/r7770034.
RoHS кестесінің сілтемесі осы құжаттаманың соңында QR коды ретінде берілген.

11 Өндіруші кепілдігі

- Кепілдік шарттары туралы сұрақтарыңыз болса, жергілікті Hilti серіктесіне жолығыңыз.

Orijinal kullanım kılavuzu

1 Kullanım kılavuzu bilgileri

1.1 Bu kullanım kılavuzu hakkında

- Aleti çalıştırmadan önce bu kullanım kılavuzunu mutlaka okuyunuz. Bu, güvenli çalışma ve arızasız kullanım için ön koşuldur.
- Bu kullanım kılavuzunda ve ürün üzerinde bulunan emniyet ve uyarı bilgilerine dikkat ediniz.
- Kullanım kılavuzunu her zaman ürün üzerinde bulundurunuz ve ürünü sadece bu kullanım kılavuzu ile birlikte başka kişilere veriniz.

1.2 Resim açıklaması

1.2.1 Uyarı bilgileri

Uyarı bilgileri, ürün ile çalışırken ortaya çıkabilecek tehlikelere karşı uyarır. Aşağıdaki uyarı metinleri kullanılır:

TEHLİKE

TEHLİKE !

- Ağır vücut yaralanmalarına veya doğrudan ölüme sebep olabilecek tehlikeler için.

İKAZ

İKAZ !

- Ağır yaralanmalara veya ölüme neden olabilecek tehlikeler için.





DİKKAT

DİKKAT !

- Vücut yaralanmalarına veya maddi hasarlara yol açabilecek olası tehlikeli durumlar için.


1.2.2 Kullanım kılavuzundaki semboller

Bu kullanım kılavuzunda aşağıdaki semboller kullanılmıştır:


	Kullanım kılavuzuna dikkat edilmelidir
	Kullanım uyarıları ve diğer gerekli bilgiler
	Geri dönüşümlü malzemeler ile çalışma
	Elektrikli aletleri ve aküleri evdeki çöplere atmayınız

1.2.3 Çizimlerdeki semboller

Çizimlerde aşağıdaki semboller kullanılmıştır:

- | | |
|---|--|
|  | Bu sayılar, kullanım kılavuzunun başlangıcındaki ilgili çizime atanmıştır. |
|---|--|



3	Çizimlerdeki numaralandırma, önemli çalışma adımlarını veya çalışma adımları için önemli olan yapı parçalarını gösterir. Metinde, bu çalışma adımları veya yapı parçasına karşılık gelen sayılarla vurgulanmıştır, örn. (3) .
11	Pozisyon numaraları Genel bakış çiziminde kullanılır ve Ürüne genel bakış bölümündeki açıklama numaralarına referans niteliğindedir.
	Bu işaret, ürün ile çalışırken dikkatinizi çekmek için koyulmuştur.

1.3 Ürün ile ilgili semboller

1.3.1 Üründeki semboller

Üründe aşağıdaki semboller kullanılabilir:



Alet, iOS ve Android platformları ile uyumlu NFC teknolojisini destekler.

1.4 Ürün bilgileri

HILTI ürünleri profesyonel kullanıcıların kullanımı için öngörülmüştür ve sadece yetkili personel tarafından kullanılabilir ve bakımı yapılabilir. Bu personel, meydana gelebilecek tehlikeler hakkında özel olarak eğitim görmüş olmalıdır. Aletin ve ilgili yardımcı gereçlerin eğitimsiz personel tarafından usulüne uygun olmayan şekilde kullanılması ve amaçları dışında çalıştırılması sonucu tehlikeli durumlar söz konusu olabilir. Tip tanımı ve seri numarası, tip plakası üzerinde belirtilmiştir.

► Seri numarasını aşağıdaki tabloya aktarınız. Ürün bilgileri acente veya servis merkezini aradığınızda sorulabilir.

Ürün bilgileri

Keski tabancası	TE 500
Nesil	03
Seri no.	

1.5 Uygunluk beyanı

Burada tanımlanan ürünün, geçerli yönetmeliklere ve normlara uygun olduğunu kendi sorumluluğumuzda beyan ederiz. Bu dokümantasyonun sonunda uygunluk beyanının bir kopyasını bulabilirsiniz.

Teknik dokümantasyonlar eklidir:

Hilti Entwicklungsgesellschaft mbH | Zulassung Geräte | Hiltistraße 6 | 86916 Kaufering, DE

2 Güvenlik

2.1 Elektrikli el aletleri için genel güvenlik uyarıları

⚠ İKAZ Bu elektrikli el aletine yönelik tüm güvenlik uyarılarını, talimatları, resimli açıklamaları ve teknik verileri dikkatlice okuyunuz. Aşağıdaki talimatlara uyulmaması durumunda elektrik çarpması, yangın ve/veya ağır yaralanmalar söz konusu olabilir.

Tüm güvenlik uyarılarını ve kullanım talimatlarını muhafaza ediniz.

Güvenlik uyarılarında kullanılan "Elektrikli el aleti terimi, şebeke işletimli elektrikli el aletleri (şebeke kablosu ile) veya akü işletimli elektrikli el aletleri (şebeke kablosu olmadan) ile ilgilidir.

İş yeri güvenliği

- **Çalışma alanınızı temiz ve aydınlık tutunuz.** Düzensiz veya aydınlatma olmayan çalışma alanları kazalara yol açabilir.
- **Yanıcı sıvıların, gazların veya tozların bulunduğu patlama tehlikesi olan yerlerde elektrikli el aleti ile çalışmayınız.** Elektrikli el aletleri, toz veya buharı yakabilecek kıvılcım oluşturur.
- **Elektrikli el aletini kullanırken çocukları ve diğer kişileri uzak tutunuz.** Dikkatiniz dağılırsa aletin kontrolünü kaybedebilirsiniz.

Elektrik güvenliği

- **Elektrikli el aletin bağlantı fişi prize uygun olmalıdır. Fiş hiçbir şekilde değiştirilmemelidir. Adaptör fişini toplama korumalı elektrikli el aletleri ile birlikte kullanmayınız.** Değiştirilmemiş fişler ve uygun prizler elektrik çarpması riskini azaltır.



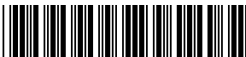
- **Borular, radyatörler, fırınlar ve buzdolapları gibi toprağa temas eden üst yüzeylere vücudunuzla temas etmekten kaçınınız.** Vücudunuzun toprakla teması var ise yüksek bir elektrik çarpması riski söz konusudur.
- **Elektrikli el aletini yağmurdan veya ıslaklıktan uzak tutunuz.** Elektrikli el aletine su girmesi, elektrik çarpması riskini artırır.
- **Elektrikli el aletini taşımak, asmak veya fişi prizden çekmek için bağlantı kablosunu kullanım amacı dışında kullanmayınız.** Bağlantı kablosunu sıcağtan, yağdan, keskin kenarlardan ve hareketli parçalardan uzak tutunuz. Hasarlı veya dolanmış bağlantı kabloları elektrik çarpması riskini artırır.
- **Elektrikli bir el aleti ile açık alanda çalışacaksanız, sadece dışarıda kullanımına izin verilen uzatma kabloları kullanınız.** Dış mekanlar için uygun olan uzatma kablolarının kullanılması elektrik çarpması riskini azaltır.
- **Elektrikli el aleti işletiminin nemli ortamda yapılması kaçınılmaz ise bir kaçak akım koruma şalteri kullanınız.** Bir kaçak akım koruma şalterinin kullanımı elektrik çarpması riskini azaltır.

Kişilerin güvenliği

- **Dikkatli olunuz, ne yaptığınıza dikkat ediniz ve elektrikli el aleti ile mantıklı bir şekilde çalışınız.** Yorgunsanız veya uyuşturucu, alkol veya ilaç etkisi altında olduğunuzda elektrikli el aleti kullanmayınız. Elektrikli el aletini kullanırken bir anlık dikkatsizlik ciddi yaralanmalara neden olabilir.
- **Kişisel koruyucu donanım ve her zaman bir koruyucu gözlük takınız.** Elektrikli el aletinin türüne ve kullanımına göre toz maskesi, kaymayan güvenlik ayakkabısı, koruyucu kask veya kulaklık gibi kişisel koruyucu donanımların kullanılması yaralanma riskini azaltır.
- **İstem dışı çalışmayı önleyiniz.** Güç kaynağına ve/veya aküyü bağlamadan, girişini yapmadan veya taşımadan önce elektrikli el aletinin kapalı olduğundan emin olunuz. Elektrikli el aletini taşıırken parmağınız şalterde ise veya alet açık konumda güç kaynağına takılırsa bu durum kazalara yol açabilir.
- **Elektrikli el aletini devreye almadan önce ayar aletlerini veya vidalama anahtarlarını çıkartınız.** Dönen bir alet parçasında bulunan bir alet veya anahtar yaralanmalara yol açabilir.
- **Aşırı bir vücut hareketinden sakınınız. Güvenli bir duruş sağlayınız ve her zaman dengeli tutunuz.** Böylece beklenmedik durumlarda elektrikli el aletini daha iyi kontrol edebilirsiniz.
- **Uygun kıyafetler giyiniz. Bol kıyafetler giymeyiniz veya takı takmayınız. Saçları, kıyafetleri ve eldivenleri hareket eden parçalardan uzak tutunuz.** Bol kıyafetler, takı veya uzun saçlar hareket eden parçalara takılabilir.
- **Toz emme ve tutma tertibatları monte edilebiliyorsa bunların bağlı olduğundan ve doğru kullanıldığınından emin olunuz.** Bu toz emme tertibatının kullanımı tozdan kaynaklanabilecek tehlikeleri azaltabilir.
- **Kendi güvenliğinizi riske atmayınız ve elektrikli el aletleri kullanımında son derece tecrübeli olsanız bile ilgili güvenlik kurallarını ihlal etmeyiniz.** Dikkatsiz kullanım saniyeler içerisinde ciddi yaralanmalara neden olabilir.

Elektrikli el aletinin kullanımı ve çalıştırılması

- **Aleti çok fazla zorlamayın. Çalışmanız için uygun olan elektrikli el aletini kullanın.** Uygun elektrikli el aleti ile bildirilen hizmet alanında daha iyi ve güvenli çalışsınız.
- **Şalteri bozuk olan elektrikli el aletini kullanmayınız.** Açılıp kapatılmayan bir elektrikli el aleti tehlikelidir ve tamir edilmesi gerekir.
- **Alet ayarlarını yapmadan, aksesuar parçalarını değiştirmeden veya aleti bir yere koymadan önce fişi prizden ve/veya (çıkartılabilir) aküyü aletten çıkartınız.** Bu önlem, elektrikli el aletinin istem dışı çalışmasını engeller.
- **Kullanılmayan elektrikli el aletlerini çocukların erişemeyeceği yerde muhafaza edin. Aleti iyi tanımayan veya bu talimatları okumamış kişilere aleti kullandırmayınız.** Elektrikli el aletleri bilgisiz kişiler tarafından kullanılırsa tehlikelidir.
- **Elektrikli el aletlerinin ve aksesuarlarının bakımını titizlikle yapınız. Hareketli parçaların kusursuz çalıştığı ve sıkışmadığı, parçaların kırılıp kırılmadığı veya hasar görüp görmediği, elektrikli el aleti fonksiyonlarının kısıtlanma durumlarını kontrol ediniz. Hasarlı parçaları aleti kullanmadan önce tamir ettiriniz.** Birçok kazanın nedeni bakımı kötü yapılan elektrikli el aletleridir.
- **Kesme aletlerini keskin ve temiz tutun.** Özenle bakımı yapılmış keskin bıçak kenarı olan kesme aletleri daha az sıkışır ve kullanımı daha rahattır.
- **Elektrikli el aletini, aksesuarları, ek aletleri vb. bu talimatlara göre kullanın. Çalışma şartlarını ve yapılacak işi de ayrıca göz önünde bulundurun.** Elektrikli el aletlerinin öngörülen kullanımı dışında kullanılması tehlikeli durumlara yol açabilir.
- **Tutamağı ve tutamak yüzeylerini daima temiz ve yağ ve gresten arındırılmış durumda tutunuz.** Kaygan tutamaklar ve tutamak yüzeyleri güvenli bir kullanımı ve öngörülemez durumlarda elektrikli el aletinin kontrolünü engeller.



Servis

- ▶ **Elektrikli el aletinizi sadece kalifiye uzman personele ve sadece orijinal yedek parçalar ile tamir ettiriniz.** Böylece elektrikli el aletinin güvenliğinin korunduğundan emin olunur.

2.2 Kırcı-delici için güvenlik uyarıları**Tüm çalışmalara yönelik güvenlik uyarıları**

- ▶ **Kulaklık takınız.** Aşırı sestten dolayı duyma kaybı meydana gelebilir.
- ▶ **Aletle birlikte verilen ek tutamakları kullanınız.** Kontrol kaybı yaralanmalara yol açabilir.
- ▶ **Kullandığınız aletin gizli elektrik hatlarına veya kendi şebeke kablosuna isabet edebileceği çalışmalar yapıyorsanız aleti sadece izolasyonlu tutamaklardan tutunuz.** Elektrik ileten bir hat ile temasta metal parçalar da gerilim altında kalır ve elektrik çarpmasına neden olabilir.

2.3 Keski tabancası ek güvenlik uyarıları**Kişilerin güvenliği**

- ▶ Ürün ve aksesuar sadece teknik açıdan sorunsuz durumdayken kullanınız.
- ▶ Ürün veya aksesuar üzerinde asla manipülasyon veya değişiklik yapılmamalıdır.
- ▶ Tavanda, duvarda ve zeminde kesikleme yaparken güvenli ve sabit bir duruş sağlamaya dikkat ediniz. Ani bir kırma hareketi denginizi bozabilir!
- ▶ Kırma çalışmalarında, çalışılacak yerin karşı tarafında bulunan bölgeyi emniyete alın. Kırılan parçalar dışarı ve / veya yere düşebilir ve diğer kişilerin yaralanmasına sebep olabilir.
- ▶ Aletin kullanımı sırasında siz ve yakında bulunan kişilerin uygun bir koruyucu gözlük, koruyucu kask, kulaklık ve hafif solunum koruma maskesi takması gerekir.
- ▶ Alet değişimi sırasında koruyucu eldiven takılmalıdır. Ek alete tüklenen uçlara dokunmak kesik ve yanık türünde yaralanmalara yol açabilir.
- ▶ Koruyucu gözlük kullanın. Etrafa sıçrayan malzeme vücudu ve gözleri yaralayabilir.
- ▶ Taşlama, zımparalama, kesme ve delme işlemleri sonucunda oluşan tozlar tehlikeli kimyasallar içerebilir. Bazı örnekler şunlardır: Kurşun temelli kurşun veya boya; Tuğla, beton ve diğer duvar ürünleri, doğal taş ve diğer silikat içeren ürünler; Meşe, kayın gibi belirli ahşaplar ve kimyasal işlem görmüş ahşap; Asbest veya asbest içerikli malzemeler. Çalışılan malzemenin tehlike sınıfına göre kullanıcının ve çevredeki kişilerin maruziyetini belirleyiniz. Maruziyeti güvenli bir seviyede tutmak için bir toz toplama sisteminin kullanımı veya uygun bir solunum koruma maskesinin kullanımı gibi gerekli önlemleri alınız. Maruziyeti azaltmaya yönelik genel önlemler aşağıdakilerdir:
 - ▶ İyi havalandırılan bir alanda çalışma,
 - ▶ Toz ile uzun süreli temastan kaçınma,
 - ▶ Yüz ve vücuttaki tozları giderme,
 - ▶ Koruyucu kıyafet kullanma ve maruz kalan alanları su ve sabunla yıkama.
- ▶ Parmaklarınızdaki kan dolaşımının daha iyi olması için sık sık molalar veriniz ve parmak egzersizleri yapınız. Uzun süren çalışmalarda yüksek titreşim, parmaklar, eller veya bileklerdeki sinir sisteminde veya kan damarlarında rahatsızlıklara neden olabilir.

Elektrik güvenliği

- ▶ Çalışmaya başlamadan önce çalışma alanında üzeri örtülü elektrik kablosu, gaz ve su borusu bulunup bulunmadığını kontrol ediniz. Bir elektrik hattına, bir gaz veya su borusuna zarar verilmesi halinde, ürünün dışındaki metal parçalar elektrik çarpmasına veya patlamaya neden olabilir.

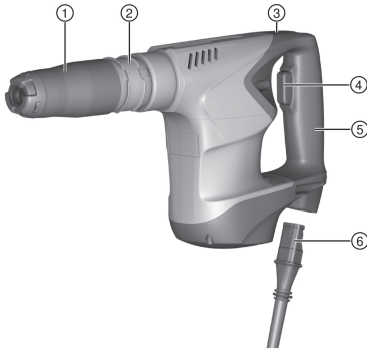
Elektrikli el aletleri ile dikkatli çalışılması ve aletin doğru kullanılması

- ▶ Yere koymadan önce ürünün tamamen durmasını bekleyiniz.



3 Tanımlama

3.1 Ürüne genel bakış



- ① Alet bağlantı yeri
- ② Alet kilit açma sistemi
- ③ Kumanda şalteri kilidi
- ④ Kumanda şalteri
- ⑤ Arka tutamak
- ⑥ Kodlanmış, çekilebilir konektörlü şebeke kablosu

3.2 Usulüne uygun kullanım

Açıklanan ürün elektrik tahrikli bir keski tabancasıdır. Duvar ve beton zeminlerdeki orta zorlukta kırma işleri için uygundur.

- Çalışma sadece tip plakasında verilen şebeke gerilimi ve frekansta gerçekleşmelidir.

3.3 Teslimat kapsamı

Keski tabancası, kullanım kılavuzu.

Ürün için izin verilen diğer sistem ürünlerini **Hilti Store** da veya şu adreste bulabilirsiniz: www.hilti.group

4 Teknik veriler

4.1 Keski tabancası

Nominal gerilim, nominal akım, frekans ve nominal akım tüketimini ülkenize özgü tip plakasında bulabilirsiniz.

Jeneratörlü veya transformatörlü bir işletim durumunda çıkış gücü, aletin tip plakasında belirtilen nominal akım tüketiminin en az iki katı büyüklüğünde olmalıdır. Transformatörün veya jeneratörün çalışma gerilimi her zaman alet nominal geriliminin %+5'i ile %-15'i arasında olmalıdır.

Bu alet ilgili norma, müşteri tertibatının yerel şebekeye bağlantı noktasındaki izin verilen Zmaks maksimum şebeke empedansının 0,401 Ω değerinden küçük veya eşit olması koşuluyla uyum sağlar. Gerektiğinde servis sağlayıcısının talimatları doğrultusunda bu aletin sadece küçük veya eşit Zmax empedans değerli bağlantı noktasına bağlanması, aletin kurulumcusunun veya işletmecisinin yükümlülüğündedir.

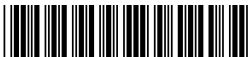
	TE 500
EPTA Prosedürü 01 uyarınca ağırlık	4,9 kg
EN 60745 uyarınca koruma sınıfı	II

4.2 EN 62841 uyarınca ses bilgisi ve titreşim değerleri

Bu talimatlarda belirtilen ses basıncı ve titreşim değerleri, ilgili normlara uygun bir ölçüm metodu ile ölçülmüştür ve elektrikli el aletlerinin birbirleri ile karşılaştırılması için kullanılabilir. Zorlanmaların geçici olarak değerlendirilmesine de uygundur.

Belirtilen değerler, elektrikli el aletinin ana kullanım alanlarını temsil eder. Elektrikli el aletinin, farklı ek aletlerle veya yetersiz bakım yapılmış şekilde kullanılması durumunda, veriler sapma gösterebilir. Bu durum, toplam çalışma süresi boyunca zorlanmayı belirgin şekilde yükseltebilir.

Doğru bir zorlanma değerlendirmesi için elektrikli el aletinin kapatıldığı veya çalışır konumda olduğu ve ayrıca kullanımda olmadığı zamanlar da dikkate alınmalıdır. Bu durum, toplam çalışma süresi boyunca zorlanmayı belirgin şekilde azaltabilir.



Kullanıcıyı ses ve/veya titreşimin etkilerinden koruyacak ek güvenlik önlemleri belirleyiniz, örneğin: Elektrikli el aletin ve ek aletlerin bakımının yapılması, ellerin sıcak tutulması, iş akışlarının düzenlenmesi.

Ses bilgileri

	TE 500
Ses gücü seviyesi (L_{WA})	100 dB(A)
Ses gücü seviyesi için emniyetsizlik (K_{WA})	3 dB(A)
Ses basıncı seviyesi (L_{pA})	89 dB
Ses basıncı seviyesi için emniyetsizlik (K_{pA})	3 dB(A)

Vibrasyon bilgileri

	TE 500
Keskilime ($a_{h,Chaq}$)	13,5 m/sn ²
Emniyetsizlik (K)	1,5 m/sn ²

5 Kullanım

5.1 Çalışma hazırlığı

DİKKAT

Yaralanma tehlikesi! Ürünün yanlışlıkla çalışmaya başlaması.

- ▶ Aletin ayarlarını yapmadan veya aksesuar parçalarını değiştirmeden önce şebeke fişini çekin.

Bu dokümanda ve ürün üzerinde bulunan güvenlik ve uyarı bilgilerine dikkat ediniz.

5.2 Geçmeli şebeke kablosunun bağlanması

DİKKAT

Yaralanma tehlikesi Kirlenmiş kontaklardaki kaçak akımlar nedeniyle.

- ▶ Çıkarılabilir elektrik soket bağlantısını sadece temiz, kuru ve gerilimsiz bir durumdayken elektrikli el aletine bağlayınız.

1. Kodlanmış, sökülebilir elektrikli soket bağlantısını dayanak noktasına kadar ürüne yerleştiriniz, kilit duyulur şekilde yerine oturuncaya kadar itiniz.
2. Şebeke fişini prize takınız.

5.3 Geçmeli şebeke kablosunun elektrikli el aletinden ayrılması

1. Şebeke fişini prizden çekiniz.
2. Kodlanmış, sökülebilir kilitleme tuşuna basınız ve Kodlanmış, sökülebilir elektrikli soket bağlantısını sökünüz.
3. Şebeke kablosunu aletten çıkarınız.

5.4 Aletin takılması

1. Ek aletin giriş ucunu gresle hafifçe yağlayınız.
 - ▶ Sadece **Hilti** marka orijinal gres kullanınız. Yanlış bir gres alette hasara neden olabilir.
2. Takımı alet bağlantı yerindeki dayanağa kadar yerleştiriniz ve Y tutucusu yerine oturana kadar çeviriniz.
3. Takım kilit açma sistemini geri çekiniz.
 - ▶ Takım artık komple alet bağlantı yerinde kullanılabilir.
4. Takımı kilitlemek için takım kilit açma sistemini serbest bırakınız.
5. Aleti yerleştirdikten sonra çekerek güvenli kilitleme durumunu kontrol ediniz.
 - ▶ Ürün kullanıma hazırdır.

5.5 Aletin çıkartılması

- ▶ Takım kilit açma sistemini dayanak noktasına kadar geri çekiniz ve ek aleti çıkartınız.



5.6 Yan tutamak montajı (opsiyonel) 4

1. Yan tutamak tutucusunu (germe bandı) sökmek için tutamağı çeviriniz.
2. Tutamağı (germe bandı), bunun için öngörülen oyuğa kadar alet bağlantı yeri üzerinden öne doğru itiniz.
3. Yan tutamağı istenen konuma konumlandırınız.
4. Yan tutamak tutucusunu (germe bandı) germek için tutamağı çeviriniz.

5.7 Çalışma

⚠ İKAZ

Elektrik çarpması tehlikesi! Topraklama kablosunun ve kaçak akım koruma şalterinin olmaması, ciddi yaralanmalara ve yanıklara neden olabilir.

- İnşaat alanındaki elektrikli şebeke veya jeneratör hatlarında daima topraklama hattı ve kaçak akım koruma şalteri olduğundan ve bunların bağlı olduğundan emin olunuz.
- Bu güvenlik önlemleri olmadan hiçbir ürünü çalıştırmayınız.

⚠ İKAZ

Hasarlı kablo nedeniyle tehlike! Eğer çalışma sırasında şebeke veya uzatma kablosu hasar görürse aleti ve kabloyu derhal şebekeden ayırınız. Hasar görmüş yere dokunmayınız!

- Tüm bağlantı hatlarını düzenli olarak kontrol ediniz. Hasar görmüş uzatma kablolarını değiştiriniz.

İşleri tam kapsamlı olarak inşaat bölümüne onaylatınız!

5.7.1 Keski konumlandırma 5



Keski, 24 farklı konumda (15°'lik kademelerle) ayarlanabilir. Böylece yassı ve kalıp keskiler ile her zaman en uygun çalışma konumunda çalışılabilir.

1. Takım kilit açma sistemini ileri doğru itiniz ve bu pozisyonda sabit tutunuz.
2. Takım kilit açma sistemini keskiyle birlikte istediğiniz pozisyona çeviriniz.
3. Keskiyi bu pozisyona kilitlemek için takım kilit açma sistemini serbest bırakınız.

5.7.2 Keskileme

1. Kumanda şalterine yavaşça basınız.



Kumanda şalterine basma miktarınıza göre devir sayısı kademesiz olarak maksimum devir sayısına kadar ayarlanabilir.

2. Aleti kapatmak için kumanda şalterini serbest bırakınız.

5.7.3 Sürekli çalışmayı açma/kapatma



Keski çalışma modunda kumanda şalterini açık durumdayken kilitleyebilirsiniz.





1. Kumanda şalteri 1'e ve ardından kumanda şalteri 2'nin kilidine basınız.
2. Kumanda şalteri 1'i ve ardından kumanda şalteri 2'nin kilidini bırakınız.
 - ▶ Ürün şimdi sürekli moda çalışır.
3. Sürekli işletiminin kapatılması için kumanda şalteri 1'e basınız ve ardından bırakınız.
 - ▶ Ürün kapanır.

6 Bakım ve onarım

İKAZ

Elektrik çarpması tehlikesi! Şebeke fişi takılıyken yapılan bakım ve onarım çalışmaları ciddi yaralanmalara ve yanıklara neden olabilir.

- ▶ Tüm bakım ve onarım çalışmalarından önce her zaman şebeke fişi çekilmelidir!

Bakım

- Yapışmış olan kir dikkatlice çıkarılmalıdır.
- Havalandırma deliklerini kuru bir fırça ile dikkatlice temizleyiniz.
- Gövde sadece hafif nemli bir bezle temizlenmelidir. Plastik parçalara yapışabileceğinden silikon içerikli bakım maddeleri kullanılmamalıdır.

Bakım

İKAZ

Elektrik çarpması tehlikesi! Elektrikli parçalarda usulüne uygun olmayan onarımlar ciddi yaralanmalara ve yanıklara neden olabilir.

- ▶ Elektrik parçalarındaki onarımlar sadece elektronik uzmanı tarafından yapılabilir.
- Görünür tüm parçalarda hasar olup olmadığı ve kumanda elemanlarının sorunsuz şekilde çalıştığı kontrol edilmelidir.
- Hasar ve/veya fonksiyon arızaları durumunda ürün çalıştırılmamalıdır. Derhal **Hilti** servisi tarafından onarılmalıdır.
- Bakım ve onarım çalışmalarından sonra tüm koruma tertibatları yerleştirilmeli ve fonksiyonları kontrol edilmelidir.

Güvenli çalışma için sadece orijinal yedek parçalar ve sarf malzemeleri kullanınız. Tarafımızdan onaylanmış, yedek parçaları, aksesuarları ve sarf malzemelerini **Hilti Store** veya şu adreste bulabilirsiniz: www.hilti.group.

7 Taşıma ve depolama

- Elektrikli cihazı takımlar takılı iken taşımayınız.
- Elektrikli cihazı daima şebeke fişi çekili olarak saklayınız.
- Aleti çocukların ve yetkisiz kişilerin erişemeyeceği ve kuru yerlerde saklayınız.
- Uzun süren nakliye veya depolama sonrası kullanmadan önce elektrikli aletin hasar görmüş olup olmadığını kontrol ediniz.



8 Arıza durumunda yardım

Bu tabloda listelenmemiş veya kendi başınıza gideremediğiniz arızalarda lütfen yetkili **Hilti** servisimiz ile irtibat kurunuz.

8.1 Hata arama

Arıza	Olası sebepler	Çözüm
Alet çalışmıyor.	Şebeke kablosu veya fiş arızalı.	► Şebeke kablosunu veya fişi elektrik uzmanına kontrol ettiriniz ve gerekirse değiştiriniz.
	Jeneratör uyku modunda.	► Jeneratörü ikinci bir tüketici (örneğin şantiye lambası) ile yük altına alınız.
	Elektrik arızası.	► Alet ve besleme kablosu bir elektrik teknisyeni tarafından kontrol edilmelidir.
	Kömür fırçalar aşınmış.	► Aleti elektrik uzmanına kontrol ettiriniz ve gerekirse kömürlerini yenileriyle değiştiriniz.
	Geçmeli şebeke kablosu doğru takılmamış.	► Geçmeli şebeke kablosunu elektrikli el aletine doğru şekilde bağlayınız.
Darbe yok.	Alette arıza ortaya çıktı veya servis zamanı geldi.	► Ürün sadece Hilti servisi tarafından onarılmalıdır.
	Alet çok soğuk.	► Aleti kısa bir süre yere koyunuz ve çalışma sıcaklığına ulaşması için boşta çalıştırınız.
Alet, tam güce sahip değil.	Uzatma kablosunun kesiti çok düşük.	► Yeterli kesitli uzatma kablosu kullanınız.
	Kumanda şalteri tam basılı değil.	► Kumanda şalterine dayanak noktasına kadar bastırın.
El aleti kilitten çözülüyor.	Alet bağlantı yeri tam olarak geri çekilmemiş.	► Alet kilidini dayanağa kadar geri çekiniz ve aleti dışarı çıkartınız.

9 İmha

Hilti aletleri yüksek oranda geri dönüşümlü malzemelerden üretilmiştir. Geri dönüşüm için gerekli koşul, usulüne uygun malzeme ayrımıdır. Çoğu ülkede **Hilti**, eski aletlerini yeniden değerlendirmek üzere geri alır. Bu konuda **Hilti** müşteri hizmetlerinden veya satış temsilcinizden bilgi alabilirsiniz.



- Elektrikli el aletlerini, elektronik cihazları ve aküleri evdeki çöplere atmayınız!

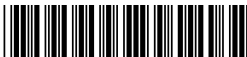
10 RoHS (Tehlikeli madde kullanımını kısıtlama direktifi)

Aşağıdaki linklerde tehlikeli maddeler tablosunu bulabilirsiniz: qr.hilti.com/r7770034.

RoHS tablosunun linkini bu dokümanın sonunda karekod olarak bulabilirsiniz.

11 Üretici garantisi

- Garanti koşullarına ilişkin sorularınız için lütfen yerel **Hilti** iş ortağınıza başvurunuz.



1 بيانات بخصوص دليل الاستعمال

1.1 خاص بدليل الاستعمال هذا

- اقرأ دليل الاستعمال قبل التشغيل. يعتبر هذا شرطا للعمل بشكل آمن والاستخدام بدون اختلالات.
- احرص على مراعاة إرشادات الأمان والإرشادات التحذيرية الواردة دليل الاستعمال هذا والمدونة على المنتج.
- احتفظ بدليل الاستعمال دائما مع هذا المنتج، ولا تعطي المنتج لأشخاص آخرين إلا مع إرفاق دليل الاستعمال هذا معه.

2.1 شرح العلامات

1.2.1 إرشادات تحذيرية

تنبه الإرشادات التحذيرية إلى الأخطار الناشئة عند التعامل مع الجهاز. يتم استخدام الكلمات الدليلية التالية:



خطر

خطر!

◀ تشير لخطر مباشر يؤدي لإصابات جسدية خطيرة أو إلى الوفاة.



تحذير

تحذير!

◀ تشير لخطر محتمل قد يؤدي لإصابات جسدية خطيرة أو إلى الوفاة.



احترس:

احترس!

◀ تشير لموقف خطر محتمل يمكن أن يؤدي لإصابات جسدية أو أضرار مادية.

2.2.1 الرموز في دليل الاستعمال

يتم استخدام الرموز التالية في دليل الاستعمال هذا:

يُراعى دليل الاستعمال	
إرشادات الاستخدام ومعلومات أخرى مفيدة.	
التعامل مع مواد قابلة لإعادة التدوير	
لا تتخلص من الأجهزة الكهربائية البطاريات ضمن القمامة المنزلية	

3.2.1 الرموز في الصور

تستخدم الرموز التالية في الرسوم التوضيحية:

2	تشير هذه الأعداد إلى الصورة المعنية في بداية دليل الاستعمال هذا.
3	تشير الأرقام في الصور إلى خطوات العمل المهمة أو إلى الأجزاء المهمة لخطوات العمل. يتم إبراز هذه الخطوات أو الأجزاء في النص من خلال الأرقام، على سبيل المثال (3).
11	يتم استخدام أرقام المواضع في صورة العرض العام وهي تشير إلى أرقام تعليق الصورة في فصل عرض عام للمنتج.
!	هذه العلامة من شأنها أن تُثير انتباهك جيدا عند التعامل مع المنتج.



3.1 الرموز المرتبطة بالمنتج

1.3.1 الرموز على المنتج

قد تكون الرموز التالية مستخدمة على المنتج:

يدعم الجهاز تقنية NFC المتوافقة مع أنظمة التشغيل iOS و Android.



4.1 معلومات المنتج

منتجات **HILTI** مصممة للمستخدمين المحترفين ويقتصر استعمالها وصيانتها وإصلاحها على الأشخاص المعتمدين والمدربين جيدا. هؤلاء الأشخاص يجب أن يكونوا قد تلقوا تدريباً خاصاً على الأخطار الطارئة. قد يتسبب الجهاز وأدواته المساعدة في حدوث أخطار إذا تم التعامل معها بشكل غير سليم فنياً من قبل أشخاص غير مدربين أو تم استخدامها بشكل غير مطابق للتعليمات. يوجد مسمى الطراز والرقم المسلسل على لوحة الصنع.

◀ انقل الرقم المسلسل في الجدول التالي. ستحتاج إلى بيانات المنتج في حالة الاستفسارات الموجبة إلى ممثلينا أو مركز الخدمة.

بيانات المنتج

الإزميل الدقاق	TE 500
الجيل	03
الرقم المسلسل	

5.1 بيان المطابقة

نقر على مسؤوليتنا الفردية بأن المنتج المشروع هنا متوافق مع التشريعات والمواصفات المعمول بها. تجد صورة بيان المطابقة في نهاية هذا المستند.

المستندات الفنية محفوظة هنا:

Hilti Entwicklungsgesellschaft mbH | Zulassung Geräte | Hiltistraße 6 | 86916 Kaufering, DE

2 السلامة

1.2 إرشادات السلامة العامة المتعلقة بالأدوات الكهربائية

⚠ تحذير احرص على قراءة جميع إرشادات السلامة، التوجيهات، الصور التوضيحية والمواصفات الفنية المرفقة مع هذه الأداة الكهربائية. أي تقصير أو إهمال في الالتزام بالتعليمات التالية قد يتسبب في حدوث صق كهربائي، نشوب حريق و/أو وقوع إصابات خطيرة.

احتفظ بجميع مستندات إرشادات السلامة والتعليمات لاستخدامها عند الحاجة إليها فيما بعد.

يقصد بمصطلح «الأداة الكهربائية» المذكور في إرشادات السلامة الأدوات الكهربائية المشغلة بالكهرباء (باستخدام كابل الكهرباء) أو الأدوات الكهربائية المشغلة بالبطاريات (بدون كابل الكهرباء).

سلامة مكان العمل

◀ حافظ على نطاق عملك نظيفاً ومضاءً بشكل جيد. الفوضى أو أماكن العمل غير المضاءة يمكن أن تؤدي لوقوع حوادث.

◀ لا تعمل بالأداة الكهربائية في محيط معرض لخطر الانفجار يتواجد به سوائل أو غازات أو أنواع غبار قابلة للاشتعال. الأدوات الكهربائية تولد شرراً يمكن أن يؤدي لإشعال الغبار والأبخرة.

◀ احرص على إبعاد الأطفال والأشخاص الآخرين أثناء استخدام الأداة الكهربائية. في حالة انصراف انتباهك قد تفقد السيطرة على الجهاز.

السلامة الكهربائية

◀ يجب أن يكون قابس توصيل الأداة الكهربائية متلائماً مع المقبس. لا يجوز تعديل القابس بأي حال من الأحوال. لا تستخدم قوايس مهايأة مع أدوات كهربائية ذات وصلة أرضي محمية. القوايس غير المعدلة والمقابس الملائمة تقلل من خطر حدوث صدمة كهربائية.

◀ تجنب حدوث تلامس للجسم مع أسطح مؤرضة مثل الأسطح الخاصة بالمواسير وأجهزة التدفئة والمواقد والتلجئات. ينشأ خطر متزايد من حدوث صدمة كهربائية عندما يكون جسمك متصلاً بالأرض.

◀ أبعد الأدوات الكهربائية عن الأمطار أو البلل. تسرب الماء إلى داخل الأداة الكهربائية يزيد من خطر حدوث صدمة كهربائية.



- ◀ لا تستخدم كابل التوصيل لحمل الأداة الكهربائية أو تعليقها أو لسحب القابس من المقبس. احتفظ بكابل التوصيل بعيدا عن السخونة والزيوت والمواف الحادة والأجزاء المتحركة. كابلات التوصيل التالفة أو المتشابكة تزيد من خطر حدوث صعق كهربائي.
- ◀ عندما تعمل بأداة كهربائية في مكان مكشوف، فلا تستخدم سوى كابلات الإطالة المناسبة للعمل في النطاق الخارجي. استخدام كابل إطالة مناسب للعمل في النطاق الخارجي يقلل من خطر حدوث صعق كهربائي.
- ◀ إذا تعذر تجنب تشغيل الأداة الكهربائية في مميظ رطب، فاستخدم مفتاح حماية من تسرب التيار. استخدام مفتاح الحماية من تسرب التيار يقلل خطر حدوث صدمة كهربائية.
- سلامة الأشخاص**
- ◀ كن يقظا وانتبه لما تفعل وتعامل مع الأداة الكهربائية بتعقل عند العمل بها. لا تستخدم الأداة الكهربائية عندما تكون متعبا أو تحت تأثير المخدرات أو الكحوليات أو العقاقير. فقد يتسبب عدم الانتباه للحظة واحدة أثناء الاستخدام في حدوث إصابات بالغة.
- ◀ ارتد تجهيزات وقاية شخصية وارتد دائما نظارة واقية. ارتد تجهيزات وقاية شخصية، مثل قناع الوقاية من الغبار وأحذية الأمان المضادة للانزلاق وخوذة الوقاية أو واقى السمع، تبعا لنوع واستخدام الأداة الكهربائية، يقلل من خطر الإصابات.
- ◀ تجنب التشغيل بشكل غير مقصود. تأكد أن الأداة الكهربائية مطفأة قبل توصيلها بالكهرباء و/أو بالبطارية وقبل رفعها أو حملها. إذا كان إصبعك على المفتاح عند حمل الأداة الكهربائية أو كان الجهاز في وضع التشغيل عند التوصيل بالكهرباء، فقد يؤدي ذلك لوقوع حوادث.
- ◀ أبعد أدوات الضبط أو مفاتيح ربط البراغي قبل تشغيل الأداة الكهربائية. الأداة أو المفتاح المتواجد في جزء دوار من الجهاز يمكن أن يؤدي لحدوث إصابات.
- ◀ تجنب اتخاذ وضع غير طبيعي للجسم. احرص على أن تكون واقفا بأمان وحافظ على توازنك في جميع الأوقات. من خلال ذلك تستطيع السيطرة على الأداة الكهربائية بشكل أفضل في المواقف المفاجئة.
- ◀ ارتد ملابس مناسبة. لا ترتد ملابس فضفاضة أو حلي. احرص على أن يكون الشعر والملابس والقفازات بعيدة عن الأجزاء المتحركة. الملابس الفضفاضة أو الحلي أو الشعر الطويل يمكن أن تشبك في الأجزاء المتحركة.
- ◀ إذا أمكن تركيب تجهيزات شفت وتجميع الغبار، فتأكد أنها موصلة ومستخدمة بشكل سليم. استخدام تجهيزة شفت الغبار يمكن أن يقلل الأخطار الناتجة عن الغبار.
- ◀ لا تعتقد بأنك في مأمن عن الخطر ولا تتجاهل تشريعات السلامة المعنية للأدوات الكهربائية، حتى وإن كنت على دراية بالأداة الكهربائية بعد تكرار استخدامها. التعامل مع الجهاز بدون حذر قد يؤدي إلى وقوع إصابات بالغة في جزء من الثانية.
- استخدام الأداة الكهربائية والتعامل معها**
- ◀ لا تفرط في التميل على الجهاز. استخدم الأداة الكهربائية المناسبة للعمل الذي تقوم به. استخدام الأداة الكهربائية المناسبة يتبع لك العمل بشكل أفضل وأكثر أمانا في نطاق العمل المقرر.
- ◀ لا تستخدم أداة كهربائية ذات مفتاح تالف. الأداة الكهربائية التي لم يعد يمكن تشغيلها أو إطفائها تمثل خطورة ويجب إصلاحها.
- ◀ اسحب القابس من المقبس و/أو اخلع البطارية القابلة للخلع من الجهاز قبل إجراء عمليات الضبط، أو استبدال أجزاء الملحقات أو عند ترك الجهاز. هذا الإجراء الوقائي يمنع بدء تشغيل الأداة الكهربائية دون قصد.
- ◀ احتفظ بالأدوات الكهربائية غير المستخدمة بعيدا عن متناول الأطفال. لا تسمح باستخدام الجهاز من قبل أشخاص ليسوا على دراية به أو لم يقرأوا هذه التعليمات. الأدوات الكهربائية خطيرة في حالة استخدامها من قبل أشخاص ليست لديهم الخبرة الواجبة.
- ◀ اعتني جيدا بالأدوات الكهربائية والملحقات. افحص الأجزاء المتحركة من حيث أداؤها لوظيفتها بدون مشاكل وعدم انحصارها وافحصها من حيث وجود أجزاء مكسورة أو متعرضة للضرر يمكن أن تؤثر سلبا على وظيفة الأداة الكهربائية. اعمل على إصلاح الأجزاء التالفة قبل استخدام الجهاز. الكثير من الحوادث مصدرها الأدوات الكهربائية التي تم صيانتها بشكل رديء.
- ◀ حافظ على أدوات القطع حادة ونظيفة. تميز أدوات القطع ذات حواف القطع الحادة المعتنى بها بدقة بأنها أقل عرضة للتعثر وأسهل في التعامل.
- ◀ استخدم الأداة الكهربائية والملحقات وأدوات العمل وخلافه طبقا لهذه التعليمات. احرص في هذه الأثناء على مراعاة اشتراطات العمل والمهمة المراد تنفيذها. استخدام الأدوات الكهربائية في تطبيقات غير تلك المقررة لها يمكن أن يؤدي لمواقف خطيرة.



حافظ على المقابض ومواضع المسك في حالة جافة ونظيفة وخالية من الزيت والشحم. المقابض ومواضع المسك الانزلاقية تحول دون استعمال الأداة الكهربائية والتحكم بها بشكل آمن في المواقف غير المتوقعة.

الخدمة

اعمل على إصلاح أدواتك الكهربائية على أيدي فنيين معتمدين فقط والاقصر على استخدام قطع الغيار الأصلية. وبذلك تتأكد أن سلامة الأداة الكهربائية تظل قائمة.

2.2 إرشادات السلامة الخاصة بالمطارق

إرشادات السلامة لجميع الأعمال

- استخدم واقيا للسمع. لذا يرجى مراعاة أن الضجيج الصاخب يمكن أن يُفقد القدرة على السمع.
- استخدم المقابض الإضافية الموردة مع الجهاز. فقدان السيطرة يمكن أن يؤدي لوقوع إصابات.
- أمسك الجهاز من مواضع المسك المعزولة عند إجراء أعمال يحتمل فيها أن تتلامس أداة الشغل مع أسلاك كهربائية مفضية أو مع سلك الكهرباء للجهاز ذاته. حيث أن ملامسة سلك يسري فيه التيار الكهربائي يمكن أن ينقل الجهد الكهربائي للأجزاء المعدنية بالجهاز ويؤدي لحدوث صدمة كهربائية.

3.2 إرشادات السلامة الإضافية المتعلقة بالإزميل الدقاق

سلامة الأشخاص

- اقتصر على استخدام المنتج والملحقات وهم في حالة سليمة من الناحية الفنية.
- لا تقم أبداً بتدخلات أو تغييرات على المنتج أو الملحقات.
- يجب مراعاة الوقوف بشكل ثابت وآمن عند النقر بالإزميل في الأسقف والجدران والأرضيات. الاختراق المفاجئ يمكن أن يتسبب في إخلال توازنك!
- أثناء أعمال الثقب قم بتأمين النطاق الواقع على الجهة المقابلة للعمل. الشظايا المتناثرة يمكن أن تتطاير و/أو تسقط وتصيب الآخرين.
- احرص أنت والأشخاص المتواجدون في الجوار أثناء الاستخدام على ارتداء نظارة واقية ملائمة، خوذة حماية، واق للسمع وكمامة خفيفة للتنفس.
- قم بارتداء قفازا واقيا أثناء تغيير الأدوات. ملامسة أداة الشغل قد تؤدي لوقوع إصابات بجروح قطعية وإصابة بحروق.
- استخدم واقياً للعينين. الشظايا المتطايرة يمكن أن تصيب الجسم والعينين.
- يمكن أن يحتوي الغبار الناتج عن التليخ والسنفرة والقطع والثقب على مواد كيميائية خطيرة. بعض الأمثلة: الرصاص أو الدهانات التي تحتوي على الرصاص، القرميد والخرسانة ومنتجات البناء الأخرى وأحجار البناء الطبيعية والمنتجات الأخرى المحتوية على السيليكات، بعض الأخشاب مثل البلوط والزان والأخشاب المعالجة كيميائياً، الأسبستوس أو الخامات المحتوية على الأسبستوس. قم بتحديد مدى تعرض المستخدم والأشخاص المحيطين لفئة خطر الخامات التي يجري العمل عليها. اتخذ التدابير اللازمة للمحافظة على مدى التعرض في مستوى آمن، على سبيل المثال، استخدام نظام تجميع الغبار أو ارتداء كمامة مناسبة للتنفس. تشمل التدابير العامة للحد من مدى التعرض ما يلي:

- العمل في نطاق جيد التهوية،
- تجنب ملامسة الغبار لفترة طويلة،
- إزالة الغبار عن الوجه والجسم،
- ارتداء بزة واقية وغسل المناطق المكشوفة بالماء والصابون.
- خذ قسطاً من الراحة بشكل متكرر وقم بتمارين استرخاء لسريان الدم في الأصابع بشكل أفضل. عند القيام بأعمال لفترات طويلة، فقد تحدث اضطرابات في الأوعية الدموية أو الجهاز العصبي بسبب كثرة الاهتزازات على الأصابع أو الأيدي أو معصم اليد.

السلامة الكهربائية

- قبل بدء الأعمال افحص نطاق العمل من حيث وجود توصيلات كهربائية مدفونة أو مواسير للغاز والماء. الأجزاء المعدنية الخارجية بالمنتج يمكن أن تتسبب في صدمة كهربائية أو انفجار، إذا قمت بإتلاف إحدى توصيلات التيار أو ماسورة الغاز أو الماء.

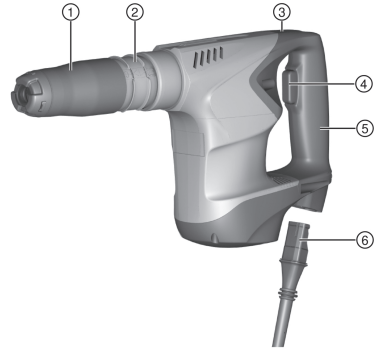
الاستخدام والتعامل بعناية مع الأدوات الكهربائية

- انتظر حتى يتوقف المنتج قبل تخزينه.



1.3 نظرة عامة على المنتج 1

- ① طرف تركيب الأدوات
- ② وسيلة تحرير الأداة
- ③ مثبت مفتاح التحكم
- ④ مقبض خلفي
- ⑤ كابيل الكهرباء مع وصلة مقبسية مشفرة
- ⑥ وقابلة للخلع



2.3 الاستخدام المطابق للتعليمات

المنتج المشروع عبارة عن إزميل دقاق متعدد الأغراض مشغل بالكهرباء. وهو مخصص للقيام بالأعمال المتوسطة بالإزميل في الجدران والخرسنة. يجب ألا يتم التشغيل إلا بالتردد والجهد الكهربائي المذكورين على لوحة الصنع.

3.3 مجموعة التجهيزات الموردة

الإزميل الدقاق، دليل الاستعمال. الإزيد من منتجات النظام المسموع بها للمنتج الخاص بك لدى متجر Hilti Store أو على موقع الإنترنت: www.hilti.group

4 المواصفات الفنية

1.4 الإزميل الدقاق

يرجى التعرف على الجهد الاسمي والتيار الاسمي والتردد والاستهلاك الاسمي من لوحة صنع الجهاز الخاصة بالبلد المعني.

في حالة التشغيل من مولد أو محمول، فإنه يجب ألا تقل قدرة الخرج الخاصة به عن ضعف قدرة الدخل الاسمية الواردة على لوحة صنع الجهاز. جهد تشغيل المحمول أو المولد يجب أن يكون دائما في نطاق +5% و 15% من الجهد الكهربائي الاسمي للجهاز. هذا الجهاز يطابق المواصفة المعنوية بشرط أن يكون الحد الأقصى المسموح به لمعاوقة الشبكة الكهربائية Zmax عند نقطة توصيل منشأة العمل بشبكة الكهرباء العمومية أقل من أو تساوي 0,401 أوم. ويعتبر الشخص القائم بتركيب أو تشغيل الجهاز هو المسؤول عن التحقق من توصيل هذا الجهاز فقط بنقطة توصيل ذات معاوقة كهربائية أقل من أو تساوي قيمة Zmax، وذلك بعد التشاور مع شركة تشغيل شبكة الكهرباء عند الضرورة.

TE 500	
الوزن طبقا لبروتوكول EPTA 01	4.9 كجم
فئة الحماية طبقا للمواصفة EN 60745	II

2.4 قيم الضوضاء والاهتزاز طبقا للمواصفة EN 62841

تم قياس ضغط الصوت وقيم الاهتزاز الواردة في هذا الدليل طبقا لأحد معايير القياس المحددة ويمكن الاستعانة بها في إجراء مقارنة بين الأدوات الكهربائية مع بعضها البعض. وهي مناسبة أيضا لتقدير حجم المخاطر بصورة أولية.



المواصفات الواردة تتعلق بالاستخدامات الأساسية للأداة الكهربائية. أما إذا تم استخدام الأداة الكهربائية في تطبيقات أخرى مع أدوات شغل مخالفة للمواصفات أو دون صيانة كافية، ففي هذه الحالة قد تختلف المواصفات. وقد يزيد هذا من نسبة المخاطر طوال مدة العمل بصورة واضحة. وللحصول على تقدير دقيق لحجم المخاطر ينبغي أيضا مراعاة الأوقات التي يتم فيها إيقاف الجهاز أو التي يتم فيها تشغيل الجهاز ولكن دون استخدام حقيقي. وقد يقلل هذا من نسبة المخاطر طوال مدة العمل بصورة واضحة. احرص على اتخاذ إجراءات إضافية للسلامة من شأنها حماية المستخدم من تأثير الضجيج و/أو الاهتزازات مثل: صيانة الأداة الكهربائية وأدوات الشغل والمحافظ على الأيدي في حالة دافئة وتنظيم مراحل العمل.

معلومات الضجيج

TE 500	
100 ديسيبل (A)	مستوى شدة الصوت (L_{WA})
3 ديسيبل (A)	نسبة التفاوت لمستوى شدة الصوت (K_{WA})
89 ديسيبل	مستوى ضغط الصوت (L_{pA})
3 ديسيبل (A)	نسبة التفاوت لمستوى ضغط الصوت (K_{pA})

معلومات الاهتزاز

TE 500	
13.5 م/ثانية ²	النقر بالإزميل ($a_{h, Cheq}$)
1.5 م/ثانية ²	نسبة التفاوت (K)

5 الاستعمال

1.5 التحضير للعمل

⚠ احترس:

خطر الإصابة! تشغيل الجهاز بشكل غير مقصود.

← اسحب القابس الكهربائي، قبل إجراء عمليات ضبط الجهاز أو تغيير أجزاء الملحقات.

تراجع إرشادات الأمان والإرشادات التحذيرية الواردة في هذا المستند وعلى الجهاز.

2.5 توصيل كابل الكهرباء القابل للإدخال

⚠ احترس:

خطر الإصابة! من جراء التيار الكهربائي المتسرب في حالة وجود أطراف توصيل متسخة.

← لا تقم بتوصيل الوصلة المقبسية الكهربائية القابلة للتركيب بالجهاز الكهربائي إلا وهي في حالة نظيفة وجافة ولا يسري بها جهد كهربائي.

1. أدخل الوصلة المقبسية الكهربائية المكودة القابلة للتركيب في الجهاز حتى النهاية، إلى أن يثبت القفل بصوت مسموع.
2. أدخل القابس الكهربائي في المقبس.

3.5 فصل قابس الكهرباء القابل للإدخال عن الجهاز الكهربائي

1. اسحب القابس الكهربائي من المقبس.
2. اضغط على زر التثبيت وأدخل الوصلة المقبسية الكهربائية المكودة القابلة للتركيب.
3. اسحب الكابل الكهربائي من الجهاز.

4.5 تركيب الأداة

1. قم بتزليق طرف إدخال أداة الشغل قليلاً.
 - ← اقتصر على استخدام الشمع الأصلي من Hilti. استخدام شمع خاطئ قد يلحق الضرر بالجهاز.
2. قم بتركيب الأداة في ظرف تركيب الأدوات حتى النهاية ثم أدركه، حتى يتم إحكام تثبيتها في الملغم حرف Y.
3. اسحب وسيلة تحرير الأداة للخلف.
- ← عندئذ يمكن تركيب الأداة بالكامل في ظرف تركيب الأدوات.
4. اترك وسيلة تحرير الأداة لغرض تأمين قفل الأداة.



5. بعد التركيب اختبر مدى إحكام القفل من خلال شد الأداة.
 ◀ المنتج جاهز للتشغيل.

5.5 إخراج الأداة 5

- ◀ اسحب وسيلة تحرير قفل الأداة للخلف حتى النهاية وأخرج أداة الشغل.

6.5 تركيب المقبض الجانبي (اختياري) 4

1. أدر المقبض لفةك وسيلة تثبيت (شريط الشد) المقبض الجانبي.
2. أدخل وسيلة التثبيت (شريط الشد) من الأمام عبر طرف تركيب الأدوات وصولاً إلى الحز المخصص لذلك.
3. اضبط المقبض الجانبي في الوضع المرغوب.
4. أدر المقبض لشد وسيلة تثبيت (شريط الشد) المقبض الجانبي.

7.5 العمل

تحذير ⚠

- خطر الصعق الكهربائي!** عدم وجود وصلات التأريض ومفاتيح الحماية من تسرب التيار يمكن أن يؤدي إلى وقوع إصابات وحروق بالغة.
- ◀ تأكد دائماً أن وصلات التأريض ومفاتيح الحماية من تسرب التيار موجودة وموصلة بوصلة الإمداد بالتيار الكهربائي بموقع العمل، سواء كانت من شبكة الكهرباء أو من مولد كهربائي.
- ◀ لا تقم بتشغيل الجهاز دون مراعاة تدابير السلامة هذه.

تحذير ⚠

- خطر بسبب الكابلات التالفة!** في حالة تلف كابل الكهرباء أو كابل الإطالة أثناء العمل، قم على الفور بفصل الجهاز والكابل عن التيار الكهربائي. لا تلمس الموضع التالف!
- ◀ احرص بشكل منتظم على فحص جميع أسلاك التوصيل. قم باستبدال كابل الإطالة التالف.

يتعين الحصول على تصريح من إدارة المنشأة بإجراء الأعمال كاملة.

1.7.5 تحديد موضع الإزميل 5

- يمكن ضبط الإزميل على 24 وضعاً مختلفاً (في خطوات مقدار كل منها 15°). وبذلك يمكن دائماً العمل بالإزميل المفلطح وإزميل التشكيل في وضع العمل المثالي المناسب.

1. ادفع وسيلة تحرير الأداة إلى الأمام وثبتها في هذا الوضع.
2. أدر وسيلة تحرير الأداة مع الإزميل إلى الوضع المرغوب.
3. اترك وسيلة تحرير الأداة، لغرض تأمين قفل الإزميل في هذا الوضع.

2.7.5 النقر بالإزميل

1. اضغط على مفتاح التحكم ببطء حتى النهاية.

- طبقاً للعمق فجوة مفتاح التحكم يمكن ضبط عدد اللفات بسلسلة حتى الوصول إلى أقصى عدد لفات.

2. لإيقاف الجهاز، اترك مفتاح التحكم.

3.7.5 تشغيل / إيقاف وضع التشغيل المستمر

- يمكن في وضع تشغيل الإزميل تثبيت حركة مفتاح التحكم أثناء التشغيل.





1. اضغط على مفتاح التحكم 1 ثم مثبت مفتاح التحكم 2.
2. اترك مفتاح التحكم 1 ثم مثبت مفتاح التحكم 2.
 - ◀ يعمل المنتج الآن في وضع التشغيل المستمر.
3. لإيقاف وضع التشغيل المستمر، اضغط على مفتاح التحكم 1 ثم اتركه مرة أخرى.
 - ◀ يتوقف المنتج.

6 العناية والصيانة

تحذير

خطر بسبب حدوث صدمة كهربائية إجراء أعمال العناية والصيانة بينما القابس الكهربائي مركب قد يتسبب في إصابات بالغة والإصابة بحروق.

◀ احرص على سحب القابس الكهربائي قبل جميع أعمال الإصلاح والعناية!

العناية

- قم بإزالة الاتساخ الملصق بمرص.
- قم بتنظيف فتحات التهوية بمرص باستخدام فرشاة جافة.
- نظف جسم الجهاز باستخدام قطعة قماش مبللة بعض الشيء. لا تستخدم مواد عناية تحتوي على السيليكون لما قد تتسبب فيه من الإضرار بالأجزاء البلاستيكية.

الصيانة

تحذير

خطر الصعق الكهربائي! قد تؤدي أعمال الصيانة التي تتم على الأجزاء الكهربائية بشكل غير سليم إلى حدوث إصابات خطيرة وإصابة بحروق.

◀ لا يجوز إجراء إصلاحات على الأجزاء الكهربائية إلا من خلال متخصصين في الكهرباء.

- افحص جميع الأجزاء المرئية من حيث وجود أضرار وافحص عناصر الاستعمال من حيث كفاءتها الوظيفية.
- في حالة وجود أضرار و/أو اختلالات وظيفية لا تقم بتشغيل المنتج. احرص على الفور على إصلاحه لدى مركز خدمة Hilti.
- بعد أعمال العناية والإصلاح قم بتركيب جميع تجهيزات الحماية وافحصها من حيث الأداء الوظيفي.

للتشغيل الآمن اقتصر على استخدام قطع الغيار الأصلية وخامات الشغل. تجد قطع الغيار وخامات الشغل والملحقات المصرح بها من قبلنا للمنتج الخاص بك في متجر **Hilti Store** أو على موقع الإنترنت: www.hilti.group

7 النقل والتخزين

- لا تنقل الجهاز الكهربائي بينما الأداة مدخلة فيه.
- عند تخزين الجهاز الكهربائي احرص دائما على سحب القابس الكهربائي.
- احرص على جفاف الجهاز والاحتفاظ به بعيدا عن متناول الأطفال والأشخاص غير المصرح لهم عند تخزينه.
- بعد النقل لمسافة طويلة أو التخزين افحص الجهاز الكهربائي من حيث وجود أضرار.



عند حدوث اختلالات غير مذكورة في الجدول أو يتعذر عليك معالجتها بنفسك، فيرجى التوجه إلى مركز خدمة Hilti.

1.8 تقصي الأخطاء

الخلل	السبب المحتمل	الحل
الجهاز لا يبدأ في العمل.	تلف في كابل الكهرباء أو القابس.	افحص كابل الكهرباء أو القابس على يد متخصص في الكهرباء وقم بتغييره إذا لزم الأمر.
	المولد الكهربائي في حالة السبات.	قم بتشغيل جهاز كهربائي آخر (مثل مصباح إضاءة موقع البناء) من المولد الكهربائي.
	عطل كهربائي.	احرص على فحص الجهاز ووصلة الإمداد بالتيار عن طريق فني كهرباء متخصص.
	تآكل الفحومات الكربونية.	احرص على فحص الجهاز على يد متخصص في الكهرباء وقم بتغيير الكربون إذا لزم الأمر.
	لم يتم إدخال الكابل الكهربائي القابل للإدخال في الجهاز بشكل صحيح.	قم بتوصيل كابل الكهرباء القابل للإدخال بالجهاز الكهربائي بشكل صحيح.
لا يتولد طرق.	ضرر بالجهاز أو حان موعد إجراء الخدمة.	اقتصر على إصلاح المنتج لدى مركز خدمة Hilti.
	الجهاز بارد للغاية.	ضع الجهاز على الأرضية لفترة قصيرة واجعله يدور على الوضع الممايد للوصول إلى الحد الأدنى لدرجة حرارة التشغيل.
	المقطع العرضي لكابل الإطالة صغير للغاية.	استخدم كابل إطالة بمقطع عرضي كاف.
	مفتاح التحكم ليس مضغوطا تماما.	اضغط مفتاح التحكم حتى النهاية.
	لم تقم بإرجاع طرف تركيب الأدوات حتى النهاية تماما.	قم بإرجاع وسيلة إحكام قفل الأداة حتى النهاية وأخرج الأداة.

9 التكوين

🌱 أجهزة Hilti مصنوعة بنسبة كبيرة من مواد قابلة لإعادة التدوير. يشترط لإعادة التدوير أن يتم فصل الخامات بشكل سليم فنيا. في العديد من الدول تقوم شركة Hilti باستغلال الأجهزة القديمة لإعادة تدويرها. وللمعلومات حول ذلك اتصل بخدمة عملاء Hilti أو الموزع القريب منك.

❌ لا تعلق الأدوات الكهربائية، الأجهزة الإلكترونية والبطاريات ضمن القمامة المنزلية!

10 مواصفة RoHS (مواصفة تقييد استخدام المواد الخطيرة)

تجد جدول المواد الخطيرة تحت الروابط التالية: qr.hilti.com/r7770034.
تجد رابطا بخصوص جدول RoHS في نهاية هذا المستند ككود QR.

11 ضمان الجبة الصانعة

◀ في حالة وجود أية استفسارات بخصوص شروط الضمان، يرجى التوجه إلى وكيل Hilti المحلي التابع لك.



EC Declaration of Conformity | UK Declaration of Conformity



Manufacturer:
Hilti Corporation
Feldkircherstraße 100
9494 Schaan | Liechtenstein

UK Importer:
Hilti (Gt. Britain) Limited
No. 1 Circle Square, 3 Symphony Park
Manchester, England, M1 7FS

TE 500 (03)

Serial Numbers: 1-9999999999

2006/42/EC Supply of Machinery (Safety) Regulations 2008	EN 62841-1:2015, AC:2015	EN IEC 62841-2-6:2020/A11:2020
2014/30/EU Electromagnetic Compatibility Regulations 2016	EN IEC 55014-1:2021	EN IEC 55014-2:2021
2011/65/EU The Restriction of the Use of Certain Hazardous Substances in Electrical and Electronic Equipment Regulations 2012	EN IEC 61000-3-2:2019, A1:2021	EN 61000-3-3:2013 + A1:2019
2000/14/EC Noise Emission in the Environment by Equipment for use Outdoors Regulations 2001		

Details to 2000/14/EC | Noise Emission in the Environment by Equipment for use Outdoors Regulations 2001:

Measured sound power level L_{WA} : 96 dB/1pW

Guaranteed sound power level, L_{WAd} : 99 dB/1pW

Conformity assessment procedure: 2000/14/EC Annex VI | Noise Emission in the Environment by Equipment for use Outdoors Regulations 2001, Schedule 9

EU Notified Body: TÜV NORD CERT GmbH
Am TÜV 1, 45307 Essen, Germany (CE 0044)

UK Approved Body: HORIBA MIRA Certification Ltd
Watling Street, Nuneaton, Warwickshire CV10 0TU (No 0888)

Schaan, 12.02.2023

Dr. Tahar Zrilli
Head of Quality and Process Management
Business Area Electric Tools & Accessories

Edward-Louis Przybyłowicz
Head of BU Power Tool & Accessories
Business Area Electric Tools & Accessories

ROHS





Hilti Corporation
LI-9494 Schaan
Tel.:+423 234 21 11
Fax:+423 234 29 65
www.hilti.group



2227846