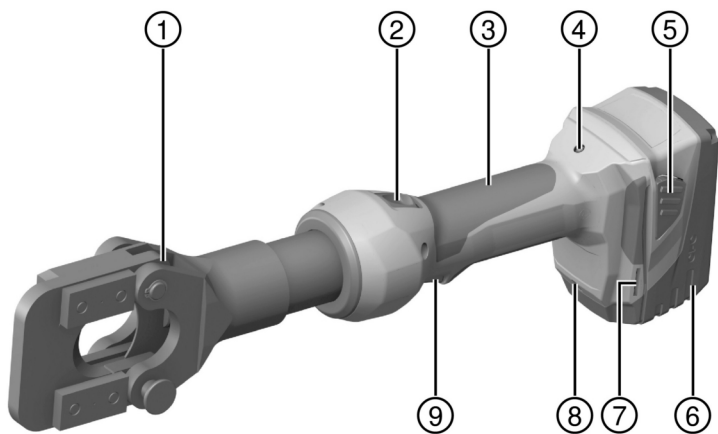


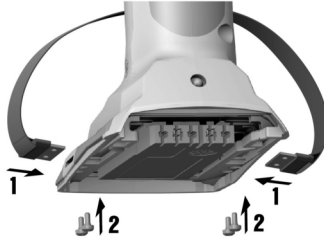


NCT IS 045-A22

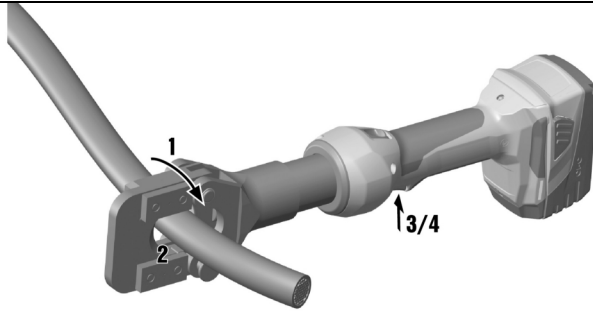
English	1
Français	10
Español	21
Português	31



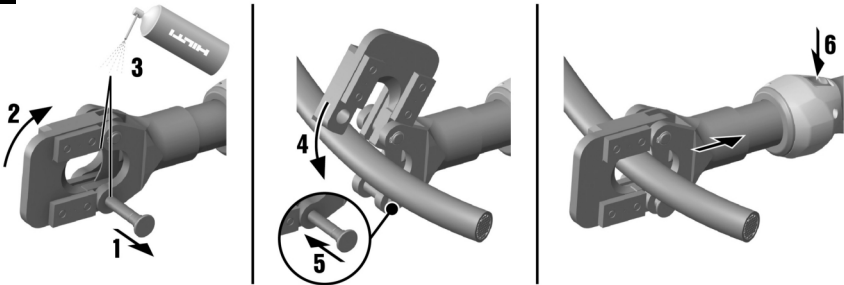
2



3



4



NCT IS 045-A22

en	Original operating instructions	1
fr	Mode d'emploi original	10
es	Manual de instrucciones original	21
pt	Manual de instruções original	31

Original operating instructions

1 Information about the documentation

1.1 About this documentation

- Read this documentation before initial operation or use. This is a prerequisite for safe, trouble-free handling and use of the product.
- Observe the safety instructions and warnings in this documentation and on the product.
- Always keep the operating instructions with the product and make sure that the operating instructions are with the product when it is given to other persons.

1.2 Explanation of symbols

1.2.1 Warnings

Warnings alert persons to hazards that occur when handling or using the product. The following signal words are used:

DANGER

DANGER !

- ▶ Draws attention to imminent danger that will lead to serious personal injury or fatality.

WARNING

WARNING !

- ▶ Draws attention to a potential threat of danger that can lead to serious injury or fatality.

CAUTION

CAUTION !

- ▶ Draws attention to a potentially dangerous situation that could lead to personal injury or damage to the equipment or other property.

1.2.2 Symbols in the operating instructions

The following symbols are used in these operating instructions:

	Comply with the operating instructions
	Instructions for use and other useful information
	Dealing with recyclable materials
	Do not dispose of electric equipment and batteries as household waste
	Hilti Li-ion battery
	Hilti charger

1.2.3 Symbols in illustrations

The following symbols are used in illustrations:

2	These numbers refer to the illustrations at the beginning of these operating instructions.
3	The numbering reflects the sequence of operations shown in the illustrations and may deviate from the steps described in the text.
11	Item reference numbers are used in the overview illustration and refer to the numbers used in the key in the product overview section.
	These characters are intended to specifically draw your attention to certain points when handling the product.



1.3 Symbols on the power tool

1.3.1 Symbols

The following symbols can be used on the product:

	Risk of cutting injury!
	Wear protective glasses!
	Direct current (DC)
	The power tool supports near-field communication (NFC) technology, which is compatible with iOS and Android platforms.
Li-Ion	Li-ion battery
	Hilti Li-ion battery type series used. Observe the information given in the section headed Intended use .
	Never use the battery as a striking tool.
	Do not drop the battery. Never use a battery that has suffered an impact or is damaged in any other way.

1.4 Product information

products are designed for professional users and only trained, authorized personnel are permitted to operate, service and maintain the products. This personnel must be specifically informed about the possible hazards. The product and its ancillary equipment can present hazards if used incorrectly by untrained personnel or if used not in accordance with the intended use.

The type designation and serial number are printed on the rating plate.

- ▶ Write down the serial number in the table below. You will be required to state the product details when contacting Hilti Service or your local Hilti organization to inquire about the product.

Product information

Cutting tool	NCT IS 045-A22
Generation	01
Serial no.	

2 Safety

2.1 General power tool safety warnings

⚠ WARNING Read all **safety warnings, instructions, illustrations and specifications provided with this power tool**. Failure to follow all instructions listed below may result in electric shock, fire and/or serious injury. **Save all warnings and instructions for future reference.**

The term "power tool" in the warnings refers to your mains-operated (corded) power tool or battery-operated (cordless) power tool.

Work area safety

- ▶ **Keep work area clean and well lit.** Cluttered or dark areas invite accidents.
- ▶ **Do not operate power tools in explosive atmospheres, such as in the presence of flammable liquids, gases or dust.** Power tools create sparks which may ignite the dust or fumes.
- ▶ **Keep children and bystanders away while operating a power tool.** Distractions can cause you to lose control.

Electrical safety

- ▶ **Power tool plugs must match the outlet. Never modify the plug in any way. Do not use any adapter plugs with earthed (grounded) power tools.** Unmodified plugs and matching outlets will reduce risk of electric shock.
- ▶ **Avoid body contact with earthed or grounded surfaces, such as pipes, radiators, ranges and refrigerators.** There is an increased risk of electric shock if your body is earthed or grounded.



- ▶ **Do not expose power tools to rain or wet conditions.** Water entering a power tool will increase the risk of electric shock.
- ▶ **Do not abuse the cord. Never use the cord for carrying, pulling or unplugging the power tool. Keep cord away from heat, oil, sharp edges or moving parts.** Damaged or entangled cords increase the risk of electric shock.
- ▶ **When operating a power tool outdoors, use an extension cord suitable for outdoor use.** Use of a cord suitable for outdoor use reduces the risk of electric shock.
- ▶ **If operating a power tool in a damp location is unavoidable, use a residual current device (RCD) protected supply.** Use of an RCD reduces the risk of electric shock.

Personal safety

- ▶ **Stay alert, watch what you are doing and use common sense when operating a power tool. Do not use a power tool while you are tired or under the influence of drugs, alcohol or medication.** A moment of inattention while operating power tools may result in serious personal injury.
- ▶ **Use personal protective equipment. Always wear eye protection.** Protective equipment such as a dust mask, non-skid safety shoes, hard hat or hearing protection used for appropriate conditions will reduce personal injuries.
- ▶ **Prevent unintentional starting. Ensure the switch is in the off-position before connecting to power source and/or battery pack, picking up or carrying the tool.** Carrying power tools with your finger on the switch or energising power tools that have the switch on invites accidents.
- ▶ **Remove any adjusting key or wrench before turning the power tool on.** A wrench or a key left attached to a rotating part of the power tool may result in personal injury.
- ▶ **Do not overreach. Keep proper footing and balance at all times.** This enables better control of the power tool in unexpected situations.
- ▶ **Dress properly. Do not wear loose clothing or jewellery. Keep your hair and clothing away from moving parts.** Loose clothes, jewellery or long hair can be caught in moving parts.
- ▶ **If devices are provided for the connection of dust extraction and collection facilities, ensure these are connected and properly used.** Use of dust collection can reduce dust-related hazards.
- ▶ **Do not let familiarity gained from frequent use of tools allow you to become complacent and ignore tool safety principles.** A careless action can cause severe injury within a fraction of a second.

Power tool use and care

- ▶ **Do not force the power tool. Use the correct power tool for your application.** The correct power tool will do the job better and safer at the rate for which it was designed.
- ▶ **Do not use the power tool if the switch does not turn it on and off.** Any power tool that cannot be controlled with the switch is dangerous and must be repaired.
- ▶ **Disconnect the plug from the power source and/or remove the battery pack, if detachable, from the power tool before making any adjustments, changing accessories, or storing power tools.** Such preventive safety measures reduce the risk of starting the power tool accidentally.
- ▶ **Store idle power tools out of the reach of children and do not allow persons unfamiliar with the power tool or these instructions to operate the power tool.** Power tools are dangerous in the hands of untrained users.
- ▶ **Maintain power tools and accessories. Check for misalignment or binding of moving parts, breakage of parts and any other condition that may affect the power tool's operation. If damaged, have the power tool repaired before use.** Many accidents are caused by poorly maintained power tools.
- ▶ **Keep cutting tools sharp and clean.** Properly maintained cutting tools with sharp cutting edges are less likely to bind and are easier to control.
- ▶ **Use the power tool, accessories and tool bits etc. in accordance with these instructions, taking into account the working conditions and the work to be performed.** Use of the power tool for operations different from those intended could result in a hazardous situation.
- ▶ **Keep handles and grasping surfaces dry, clean and free from oil and grease.** Slippery handles and grasping surfaces do not allow for safe handling and control of the tool in unexpected situations.

Battery tool use and care

- ▶ **Recharge only with the charger specified by the manufacturer.** A charger that is suitable for one type of battery pack may create a risk of fire when used with another battery pack.
- ▶ **Use power tools only with specifically designated battery packs.** Use of any other battery packs may create a risk of injury and fire.
- ▶ **When battery pack is not in use, keep it away from other metal objects, like paper clips, coins, keys, nails, screws or other small metal objects, that can make a connection from one terminal to another.** Shorting the battery terminals together may cause burns or a fire.



- ▶ **Under abusive conditions, liquid may be ejected from the battery; avoid contact. If contact accidentally occurs, flush with water. If liquid contacts eyes, additionally seek medical help.** Liquid ejected from the battery may cause irritation or burns.
- ▶ **Do not use a battery pack or tool that is damaged or modified.** Damaged or modified batteries may exhibit unpredictable behaviour resulting in fire, explosion or risk of injury.
- ▶ **Do not expose a battery pack or tool to fire or excessive temperature.** Exposure to fire or temperature above 130° C (265 °F) may cause explosion.
- ▶ **Follow all charging instructions and do not charge the battery pack or tool outside the temperature range specified in the instructions.** Charging improperly or at temperatures outside the specified range may damage the battery and increase the risk of fire.

Service

- ▶ **Have your power tool serviced by a qualified repair person using only identical replacement parts.** This will ensure that the safety of the power tool is maintained.
- ▶ **Never service damaged battery packs.** Service of battery packs should only be performed by the manufacturer or authorized service providers.

2.2 Additional safety instructions applicable to cutting tools

Personal safety

- ▶ Use the product only if it is in perfect working order.
- ▶ Never tamper with or modify the tool in any way.

Electrical safety

- ▶ Before use of the power tool, all live cables or other items carrying electric voltage within the area in which the user is working are to be switched off. If this is not possible, the corresponding safety precautions for working in the proximity of live cables or equipment must be implemented and observed.
- ▶ Do not cut through live cables, i.e. cables carrying electricity. The tool must be considered to be uninsulated and must therefore be used in conjunction with personal protective equipment (protective gloves, protective footwear, protective clothing, etc.) of a type suitable to provide protection for yourself and other persons in the vicinity. The tool may be operated on insulated platforms.

Power tool use and care

- ▶ After approx. 100 consecutive cutting operations, switch the power tool off and allow it to cool down for about 15 minutes. Overheating can lead to damage to the power tool.

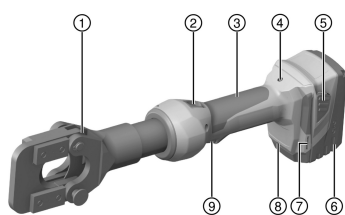
2.3 Careful handling and use of batteries

- ▶ Observe the special guidelines applicable to the transport, storage and use of lithium-ion batteries.
- ▶ Do not expose batteries to high temperatures, direct sunlight or fire.
- ▶ Do not disassemble, crush or incinerate batteries and do not subject them to temperatures over 80 °C (176 °F).
- ▶ Do not use or charge batteries that have suffered mechanical impact, have been dropped from a height or show signs of damage. In this case, always contact your **Hilti Service**.
- ▶ If the battery is too hot to touch it may be defective. Put the battery in a place where it is clearly visible and where there is no risk of fire, at an adequate distance from flammable materials. Allow the battery to cool down. If it is still too hot to touch after an hour, the battery is faulty. Contact **Hilti Service**.



3 Description

3.1 Product overview



- ① Cutting head
- ② Manual piston return switch
- ③ Casing
- ④ Servicing and fault indicator (red LED)
- ⑤ Battery release button
- ⑥ Battery
- ⑦ Slot on both sides to fasten the **Hilti** retaining strap
- ⑧ White LED to illuminate the working area
- ⑨ Control switch

3.2 Intended use

The product described is a cordless (battery-powered) electro-hydraulic cutting tool.

It is designed for cutting through cables made of copper (Cu), aluminum (Al) and steel (e.g. ACSR).

Before use of the power tool, all live cables or other items carrying electric voltage within the area in which the user is working must be switched off. If this is not possible, the corresponding safety precautions for working in the proximity of live cables or equipment must be implemented and observed.

- ▶ Use only **Hilti** lithium-ion batteries of the B 22 series with this product.
- ▶ Use only **Hilti** battery chargers of the C4/36 series for charging these batteries.

3.3 Possible misuse

- Do not use this hand-held product clamped in a fixed position or as a stationary device.
- Do not use the product in heavy rain or under water.

3.4 Charge status display

The charge status of the Li-ion battery is displayed after pressing the release button.

Status	Meaning
4 LEDs light.	Charge status: 75 % to 100 %
3 LEDs light.	Charge status: 50 % to 75 %
2 LEDs light.	Charge status: 25 % to 50 %
1 LED lights.	Charge status: 10 % to 25 %
1 LED flashes, the power tool is ready for use.	Charge status: < 10 %



Battery charge status cannot be displayed while the control switch is pressed.

3.5 Items supplied

Cutting tool, operating instructions



Other system products approved for use with this product can be found at your local **Hilti Store** or at: www.hilti.group

4 Technical data

Rated voltage	21.6 V
Weight in accordance with EPTA Procedure 01	4.0 kg
Max. cable diameter	45 mm
max. cutting capacity for steel-reinforced aluminum cable (ACSR): 1590 MCM (Falcon)	44.4 mm (1 3/4 in)



2258525

max. cutting capacity for steel rope (standard) / guy wire (standard)	15.9 mm (5/8 in)
max. cutting capacity for steel rope (EHS) / guy wire (EHS)	13 mm (1/2 in)
max. cutting capacity for reinforcing bar	13 mm (1/2 in)
Storage temperature	-20 °C ... 70 °C (-4 °F ... 158 °F)
Ambient temperature for operation	-17 °C ... 60 °C (1 °F ... 140 °F)

4.1 Battery

Battery operating voltage	21.6 V
Ambient temperature for operation	-17 °C ... 60 °C (1 °F ... 140 °F)
Storage temperature	-20 °C ... 40 °C (-4 °F ... 104 °F)
Battery charging starting temperature	-10 °C ... 45 °C (14 °F ... 113 °F)
Weight (B22/2.6 (02))	0.5 kg (1.1 lb)
Weight (B22/3.0 (01))	0.6 kg (1.3 lb)
Weight (B22/4.0 (01))	0.7 kg (1.5 lb)
Weight (B22/5.2 (01))	0.8 kg (1.8 lb)
Weight (B22/8.0 (01))	1.1 kg (2.4 lb)

5 Preparations at the workplace

WARNING

Risk of injury by inadvertent starting!

- ▶ Before inserting the battery, make sure that the product is switched off.
- ▶ Remove the battery before making any adjustments to the power tool or before changing accessories.

Observe the safety instructions and warnings in this documentation and on the product.

5.1 Charging the battery

1. Before charging the battery, read the operating instructions for the charger.
2. Make sure that the contacts on the battery and the contacts on the charger are clean and dry.
3. Use an approved charger to charge the battery. → page 5

5.2 Inserting the battery

WARNING

Risk of injury by short circuit or falling battery!

- ▶ Before inserting the battery, make sure that the contacts on the battery and the contacts on the product are free of foreign matter.
- ▶ Make sure that the battery always engages correctly.

1. Charge the battery fully before using it for the first time.



2. Push the battery into the product until it engages with an audible click.
3. Check that the battery is seated securely.

5.3 Removing the battery

1. Press the battery release buttons.
2. Remove the battery from the tool.

5.4 Assemble Hilti retaining strap (optional)

ATTENTION

Damage to the product and / or the retaining leash. Incorrect handling can result in damage to the product and/or retaining leash.

- ▶ Do not use a metal chain as a retaining leash. Do not use retaining leashes longer than 6 ft (2 m).



To avoid damage and injury, when working at a height it is advisable to use the **Hilti** retaining strap. The retaining strap allows a securing cord or leash to be attached. When working with the product, you must comply with national regulations for working at heights.

1. Remove the battery.
2. Insert the two tabs on the retaining strap into the slots on each side of the base.
3. Secure the retaining strap with the screws supplied.
4. Refit the battery.

5.5 Dismantle the Hilti retaining strap (optional)

1. Remove the battery.
2. Remove the two retaining strap securing screws.
3. Pull the two retaining strap tabs out of the slots in the base and remove the retaining strap.
4. Refit the battery.

6 Operation

Observe the safety instructions and warnings in this documentation and on the product.

6.1 Cutting

WARNING

Risk of injury! Risk of serious injury during the cutting operation.

- ▶ During the cutting operation great care must be taken to ensure that the hands and fingers are kept well clear of the cutting head.



For cutting in tight spaces or where access is difficult, the cutting head can be rotated through 350° about its longitudinal axis.



In cold weather the hydraulic oil can thicken and slow the pressing operation. Perform 5 to 10 empty pressing operations to heat up the pressing tool.

1. Rotate the cutting head to the desired working position.
2. Place the cable to be cut in the cutting head or, respectively, guide the cutting head into position around the cable to be cut.



Always make sure that the cable to be cut is fully inserted into the cutting head. Do not exceed the maximum cutting capacity. Do not attempt to cut a cable that cannot be inserted fully into the cutting head.

3. Press the control switch.



4. Keep the control switch pressed until the cutting head begins to release the pressure. This is accompanied by a clearly audible “pop”.
 - ▶ When the cut has been made, the product returns automatically to its initial position.

6.2 Making the cut (cable connected)

1. Remove the locking pin.
2. Flip the cutting head up.
3. Lubricate the cutting-head joint and the guides of the locking pin.
4. Cup the tool round the cable to be cut and flip the cutting head down.



Do not exceed the maximum cutting capacity.
Do not attempt to cut a cable that cannot be inserted fully into the cutting head.

5. Lock the cutting head with the locking pin.
 - ▶ A mechanical click confirms correct locking.
6. Press the control switch.
7. Keep the control switch pressed until pressure relief of the cutting tool begins.
 - ▶ When the cut has been made, the product returns automatically to its initial position.

7 Care and maintenance



WARNING

Risk of injury with battery inserted !

- ▶ Always remove the battery before carrying out care and maintenance tasks!

Care of the product

- Carefully remove stubborn dirt.
- Carefully clean the air vents, if present, with a dry, soft brush.
- Use only a slightly damp cloth to clean the housing. Do not use cleaning agents containing silicone as these can attack the plastic parts.
- Use a dry, clean cloth to clean the contacts of the product.

Care of the Li-ion batteries

- Never use a battery with clogged air vents. Clean the air vents carefully using a dry, soft brush.
- Avoid unnecessary exposure of the battery to dust and dirt. Never expose the battery to high levels of moisture (e.g. by being dipped in water or left in the rain).
If a battery has been soaked by moisture, treat it as a damaged battery. Isolate it in a non-flammable container and consult **Hilti Service**.
- Keep the battery free of extraneous oil and grease. Do not permit dust or dirt to accumulate unnecessarily on the battery. Clean the battery with a dry, soft brush or a clean, dry cloth. Do not use cleaning agents containing silicone as these can attack the plastic parts.
Do not touch the contacts of the battery and do not remove the factory-applied grease from the contacts.
- Use only a slightly damp cloth to clean the housing. Do not use cleaning agents containing silicone as these can attack the plastic parts.

Maintenance

- Check all visible parts and controls for signs of damage at regular intervals and make sure that they all function correctly.
- Do not use the product if signs of damage are found or if parts malfunction. Immediately have the product repaired by **Hilti Service**.
- After cleaning and maintenance, install all guards and protective devices and check that they are in full working order.



To help ensure safe and reliable operation, use only genuine Hilti spare parts and consumables. Spare parts, consumables and accessories approved by **Hilti** for use with your product can be found at your **Hilti Store** or online at: www.hilti.group



8 Transport and storage of cordless tools and batteries

Transport

CAUTION

Accidental starting during transport !

- ▶ Always transport your products with the batteries removed!
- ▶ Remove the battery/batteries.
- ▶ Never transport batteries loose and unprotected. During transport, batteries should be protected from excessive shock and vibration and isolated from any conductive materials or other batteries that may come in contact with the terminals and cause a short circuit. **Comply with the locally applicable regulations for transporting batteries.**
- ▶ Do not send batteries through the mail. Consult your shipper for instructions on how to ship undamaged batteries.
- ▶ Prior to each use and before and after prolonged transport, check the product and the batteries for damage.

Storage

WARNING

Accidental damage caused by defective or leaking batteries !

- ▶ Always store your products with the batteries removed!
- ▶ Store the product and the batteries in a cool and dry place. Comply with the temperature limits stated in the technical data.
- ▶ Do not store batteries on the charger. Always remove the battery from the charger when the charging operation has completed.
- ▶ Never leave batteries in direct sunlight, on sources of heat, or behind glass.
- ▶ Store the product and batteries where they cannot be accessed by children or unauthorized persons.
- ▶ Prior to each use and before and after prolonged storage, check the product and the batteries for damage.

9 Troubleshooting

If the trouble you are experiencing is not listed in this table or you are unable to remedy the problem by yourself, please contact **Hilti** Service.

9.1 The cutting tool is not in working order

Malfunction	Possible cause	Action to be taken
No response from the LEDs on the battery.	The battery is not fully inserted.	▶ Push the battery in until it engages with a double click.
	Battery is discharged.	▶ Change the battery and charge the empty battery.
	The battery is too hot or too cold.	▶ Allow the battery to cool down or to warm up to room temperature.
1 LED on the battery flashes.	Battery is discharged.	▶ Change the battery and charge the empty battery.
	The battery is too hot or too cold.	▶ Allow the battery to cool down or to warm up to room temperature.
4 LEDs on the battery flash.	Product momentarily overloaded.	▶ Allow the product to cool down.
Red LED => lights continuously and a warning tone is emitted.	Technical problem.	▶ Incorrect operation is possible! Contact Hilti Service.
Red LED => flashes at short intervals and a warning tone is emitted.	The state of charge of the battery is too low to allow a complete operating cycle.	▶ Change the battery and charge the empty battery.



Malfunction	Possible cause	Action to be taken
Red LED => lights briefly and no warning tone is emitted.	Product overheated.	▶ Allow the product to cool down.

9.2 The cutting tool is in working order

Trouble or fault	Possible cause	Action to be taken
The battery runs down more quickly than usual.	Very low ambient temperature.	▶ Allow the battery to warm up slowly to room temperature.
The battery does not engage with an audible double click.	The retaining lugs on the battery are dirty.	▶ Clean the retaining lugs and refit the battery.
Red LED => lights continuously and a warning tone is emitted.	Technical problem.	▶ Incorrect operation is possible! Contact Hilti Service .

10 Disposal

WARNING

Risk of injury due to incorrect disposal! Health hazards due to escaping gases or liquids.

- ▶ DO NOT send batteries through the mail!
- ▶ Cover the terminals with a non-conductive material (such as electrical tape) to prevent short circuiting.
- ▶ Dispose of your battery out of the reach of children.
- ▶ Dispose of the battery at your **Hilti Store**, or consult your local governmental garbage disposal or public health and safety resources for disposal instructions.

Most of the materials from which **Hilti** products are manufactured can be recycled. The materials must be correctly separated before they can be recycled. In many countries, your old tools, machines or appliances can be returned to **Hilti** for recycling. Ask **Hilti Service** or your Hilti sales representative for further information.



- ▶ Do not dispose of power tools, electronic equipment or batteries as household waste!

11 FCC statement (applicable in US) / IC statement (applicable in Canada)

This device complies with Part 15 of the FCC Rules and RSS-210 of IC. Operation is subject to the following two conditions:

1. this device may not cause harmful interference, and
2. this device must accept any interference received, including interference that may cause undesired operation.

12 Manufacturer's warranty

- ▶ Please contact your local **Hilti** representative if you have questions about the warranty conditions.

Mode d'emploi original

1 Indications relatives à la documentation

1.1 À propos de cette documentation

- Lire intégralement la présente documentation avant la mise en service. C'est la condition préalablement requise pour assurer la sécurité du travail et un maniement sans perturbations.
- Bien respecter les consignes de sécurité et les avertissements de la présente documentation ainsi que celles figurant sur le produit.
- Toujours conserver le mode d'emploi à proximité du produit et uniquement le transmettre à des tiers avec ce mode d'emploi.



1.2 Explication des symboles

1.2.1 Avertissements

Les avertissements attirent l'attention sur des dangers liés à l'utilisation du produit. Les termes de signalisation suivants sont utilisés :



DANGER !

- ▶ Pour un danger imminent qui peut entraîner de graves blessures corporelles ou la mort.



AVERTISSEMENT !

- ▶ Pour un danger potentiel qui peut entraîner de graves blessures corporelles ou la mort.



ATTENTION !

- ▶ Pour une situation potentiellement dangereuse pouvant entraîner des blessures corporelles ou des dégâts matériels.

1.2.2 Symboles dans le manuel d'utilisation

Les symboles suivants sont utilisés dans le présent manuel d'utilisation :

	Respecter le manuel d'utilisation
	Pour des conseils d'utilisation et autres informations utiles
	Maniement des matériaux recyclables
	Ne pas jeter les appareils électriques et les accus dans les ordures ménagères
	Hilti Accu Li-Ion
	Hilti Chargeur

1.2.3 Symboles dans les illustrations

Les symboles suivants sont utilisés dans les illustrations :

	Ces chiffres renvoient à l'illustration correspondante au début du présent manuel d'utilisation.
	La numérotation détermine la séquence des étapes de travail dans l'image et peut se différencier de celles des étapes de travail dans le texte.
	Les numéros de position sont utilisés dans l'illustration Vue d'ensemble et renvoient aux numéros des légendes dans la section Vue d'ensemble du produit .
	Ce signe doit inviter à manier le produit en faisant particulièrement attention.

1.3 Symboles marqués sur l'appareil

1.3.1 Symboles

Les symboles suivants peuvent être utilisés sur le produit :

	Risque de coupure !
	Porter des lunettes de protection !
	Courant continu



	L'appareil prend en charge la technologie NFC qui est compatible avec les plates-formes iOS et Android.
Li-Ion	Accu lithium-ions
	Série de type d'accu Li-Ion HilTI utilisée. Observer les instructions au chapitre Utilisation conforme à l'usage prévu .
	Ne jamais utiliser l'accu comme outil de percussion.
	Ne pas laisser tomber l'accu. Ne pas utiliser d'accu ayant subi un choc ou d'autres dommages.

1.4 Informations produit

Les produits **HILTI** sont destinés aux professionnels et ne doivent être utilisés, entretenus et réparés que par un personnel autorisé et formé. Ce personnel doit être spécialement instruit quant aux dangers inhérents à l'utilisation de l'appareil. Le produit et ses accessoires peuvent s'avérer dangereux s'ils sont utilisés de manière incorrecte par un personnel non qualifié ou de manière non conforme à l'usage prévu.

La désignation du modèle et le numéro de série figurent sur sa plaque signalétique.

- ▶ Inscrivez le numéro de série dans le tableau suivant. Les informations produit vous seront demandées lorsque vous contactez nos revendeurs ou services après-vente.

Caractéristiques produit

Outil de coupe	NCT IS 045-A22
Génération	01
N° de série	

2 Sécurité

2.1 Indications générales de sécurité pour les appareils électriques

⚠ AVERTISSEMENT Lire toutes les consignes de sécurité et instructions, illustrations et caractéristiques techniques, qui accompagnent cet outil électroportatif. Tout manquement à l'observation des instructions suivantes risque de provoquer une électrocution, un incendie et/ou de graves blessures.

Les consignes de sécurité et instructions doivent être intégralement conservées pour les utilisations futures.

La notion d'« outil électroportatif » mentionnée dans les consignes de sécurité se rapporte à des outils électriques raccordés au secteur (avec câble d'alimentation) et à des outils électriques sur accu (sans câble d'alimentation).

Sécurité sur le lieu de travail

- ▶ **Conserver la zone de travail propre et bien éclairée.** Un lieu de travail en désordre ou mal éclairé augmente le risque d'accidents.
- ▶ **Ne pas faire fonctionner les outils électriques en atmosphère explosive et où se trouvent des liquides, des gaz ou poussières inflammables.** Les outils électriques produisent des étincelles qui peuvent enflammer les poussières ou les fumées.
- ▶ **Maintenir les enfants et les personnes présentes à l'écart pendant l'utilisation de l'outil électroportatif.** En cas d'inattention il y a un risque de perdre le contrôle de l'appareil.

Sécurité relative au système électrique

- ▶ **La fiche de secteur de l'outil électroportatif doit être adaptée à la prise de courant. Ne jamais modifier la fiche de quelque façon que ce soit. Ne pas utiliser d'adaptateurs avec des outils électriques à branchement de terre.** Des fiches non modifiées et des prises de courant adaptées réduiront le risque de choc électrique.
- ▶ **Éviter le contact physique avec des surfaces mises à la terre tels que tuyaux, radiateurs, cuisinières et réfrigérateurs.** Il y a un risque élevé de choc électrique au cas où votre corps serait relié à la terre.
- ▶ **Ne pas exposer les outils électroportatifs à la pluie ou à l'humidité.** La pénétration d'eau à l'intérieur d'un outil électroportatif augmentera le risque d'un choc électrique.
- ▶ **Ne jamais utiliser le câble de raccordement à d'autres fins que celles prévues, telles que pour porter, accrocher ou débrancher l'outil électroportatif de la prise de courant. Maintenir le câble de raccordement à l'écart de la chaleur, des parties grasses, des bords tranchants ou des parties**



en mouvement. Des câbles de raccordement endommagés ou emmêlés augmentent le risque de choc électrique.

- ▶ **Si l'outil électroportatif est utilisé à l'extérieur, utiliser uniquement des câbles de rallonge homologués pour les applications extérieures.** L'utilisation d'un câble de rallonge homologué pour les applications extérieures réduit le risque d'un choc électrique.
- ▶ **Si l'utilisation de l'outil électrique dans un environnement humide ne peut pas être évitée, utiliser un interrupteur de protection contre les courants de court-circuit.** L'utilisation d'un tel interrupteur de protection réduit le risque d'une décharge électrique.

Sécurité des personnes

- ▶ **Rester vigilant, surveiller ce que l'on fait. Faire preuve de bon sens en utilisant l'outil électroportatif. Ne pas utiliser l'outil électroportatif en étant fatigué ou sous l'emprise de l'alcool, de drogues ou de médicaments.** Un moment d'inattention lors de l'utilisation de l'outil électroportatif peut entraîner des blessures graves.
- ▶ **Utiliser un équipement de protection personnel et toujours porter une protection pour les yeux.** Les équipements de protection personnels tels que masque antipoussière, chaussures de sécurité antidérapantes, casque de protection ou protection acoustique suivant l'utilisation de l'outil électroportatif, réduiront le risque de blessures des personnes.
- ▶ **Éviter une mise en service par mégarde. S'assurer que l'outil électroportatif est arrêté avant de le brancher à la source de courant et/ou à l'accu, de le prendre ou de le porter.** Le fait de porter l'outil électroportatif avec le doigt sur l'interrupteur ou de brancher l'appareil sur la source de courant lorsque l'interrupteur est en position de fonctionnement peut entraîner des accidents.
- ▶ **Retirer tout outil de réglage ou toute clé avant de mettre l'outil électroportatif en fonctionnement.** Une clé ou un outil se trouvant sur une partie en rotation peut causer des blessures.
- ▶ **Adopter une bonne posture. Veiller à toujours garder une position stable et équilibrée.** Cela permet un meilleur contrôle de l'outil électroportatif dans des situations inattendues.
- ▶ **S'habiller de manière adaptée. Ne pas porter de vêtements amples ni de bijoux. Garder les cheveux, les vêtements et les gants à distance des parties en mouvement.** Des vêtements amples, des bijoux ou des cheveux longs peuvent être happés par des parties en mouvement.
- ▶ **Si des dispositifs servant à aspirer ou à recueillir les poussières doivent être utilisés, s'assurer qu'ils sont effectivement raccordés et correctement utilisés.** L'utilisation d'un dispositif d'aspiration de la poussière peut réduire les risques dus aux poussières.
- ▶ **Ne pas sous-estimer les mesures de sécurité à prendre et ne pas ignorer sciemment les règles de sécurité applicables aux outils électriques, même si l'on est utilisateur chevronné après de fréquentes utilisations de l'outil électroportatif.** Un manque d'attention peut conduire à de graves blessures en quelques fractions de seconde.

Utilisation et maniement de l'outil électroportatif

- ▶ **Ne pas forcer l'appareil. Utiliser l'outil électroportatif adapté au travail à effectuer.** Un outil électroportatif approprié réalisera mieux le travail et de manière plus sûre au régime pour lequel il a été conçu.
- ▶ **Ne pas utiliser d'outil électroportatif dont l'interrupteur est défectueux.** Tout outil électroportatif qui ne peut plus être mis en ou hors fonctionnement est dangereux et doit être réparé.
- ▶ **Débrancher la fiche de la prise de courant et/ou l'accu amovible avant d'effectuer des réglages sur l'appareil, de changer les accessoires, ou de ranger l'appareil.** Cette mesure de précaution empêche une mise en fonctionnement par mégarde de l'outil électroportatif.
- ▶ **Conserver les outils électroportatifs non utilisés hors de portée des enfants. Ne permettre l'utilisation de l'appareil à aucune personne qui ne soit pas familiarisée avec celui-ci ou qui n'a pas lu ces instructions.** Les outils électroportatifs sont dangereux lorsqu'ils sont entre les mains de personnes non initiées.
- ▶ **Prendre soin des outils électroportatifs et des accessoires. Vérifier que les parties en mouvement fonctionnent correctement et qu'elles ne sont pas coincées, et contrôler si des parties sont cassées ou endommagées de sorte que le bon fonctionnement de l'outil électroportatif s'en trouve entravé. Faire réparer les parties endommagées avant d'utiliser l'appareil.** De nombreux accidents sont dus à des outils électroportatifs mal entretenus.
- ▶ **Garder les outils de coupe affûtés et propres.** Des outils destinés à couper correctement entretenus avec des arêtes de coupe tranchantes sont moins susceptibles de bloquer et sont plus faciles à contrôler.
- ▶ **L'outil électroportatif, les accessoires, les outils amovibles, etc. doivent être utilisés conformément à ces instructions. Tenir également compte des conditions de travail et du travail à réaliser.** L'utilisation des outils électroportatifs à d'autres fins que celles prévues peut entraîner des situations dangereuses.



- ▶ **Veiller à ce que les poignées et surfaces de préhension soient toujours être sèches, propres et exemptes de traces de graisse ou d'huile.** Avec des poignées et surfaces de préhension glissantes, la sécurité et le contrôle de l'outil électroportatif ne peuvent être assurés dans des situations inopinées.

Utilisation et manieement de l'outil sur accu

- ▶ **Ne charger les accus que dans des chargeurs recommandés par le fabricant.** Si un chargeur approprié à un type spécifique d'accus est utilisé avec des accus non recommandés pour celui-ci, il y a risque d'incendie.
- ▶ **Dans les outils électroportatifs, utiliser uniquement les accus spécialement prévus pour ceux-ci.** L'utilisation de tout autre accu peut entraîner des blessures et des risques d'incendie.
- ▶ **Tenir l'accu non utilisé à l'écart de tous objets métalliques tels qu'agrafes, pièces de monnaie, clés, clous, vis ou autres, étant donné qu'un pontage peut provoquer un court-circuit.** Un court-circuit entre les contacts d'accu peut provoquer des brûlures ou un incendie.
- ▶ **En cas d'utilisation abusive, du liquide peut sortir de l'accu. Éviter tout contact avec ce liquide. En cas de contact par mégarde, rincer soigneusement avec de l'eau. Au cas où le liquide rentrerait dans les yeux, consulter en plus un médecin.** Le liquide qui sort de l'accu peut entraîner des irritations de la peau ou causer des brûlures.
- ▶ **Ne pas utiliser d'accu endommagé ou modifié.** Des accus endommagés ou modifiés peuvent avoir un comportement imprévisible et provoquer un incendie, une explosion ou engendrer un risque de blessures.
- ▶ **Ne jamais exposer l'accu au feu ou à des températures trop élevées.** Le feu ou des températures supérieures à 130 °C (265 °F) peuvent provoquer une explosion.
- ▶ **Suivre toutes les instructions de charge et ne jamais charger l'accu ou l'outil sur accu hors de la plage de températures spécifiée dans le manuel d'utilisation.** Une charge inappropriée ou hors de la plage de températures spécifiée risque d'endommager l'accu et accroître le risque d'incendie.

Service

- ▶ **L'outil électroportatif doit uniquement être réparé par un personnel qualifié et seulement avec des pièces de rechange d'origine.** Ceci permet d'assurer la sécurité de l'appareil.
- ▶ **Ne jamais entretenir d'accus endommagés.** Toutes les opérations d'entretien sur des accus doivent exclusivement être réalisées par le fabricant ou un prestataire de service client agréé.

2.2 Consignes de sécurité supplémentaires spécifiques à l'outil de coupe

Sécurité des personnes

- ▶ Utiliser le produit uniquement s'il est en parfait état.
- ▶ Ne jamais effectuer de manipulation ni de modification sur l'appareil.

Sécurité relative au système électrique

- ▶ Avant d'utiliser l'appareil, il faut mettre hors tension tous les éléments actifs, c'est-à-dire les éléments conducteurs de courant qui se trouvent dans l'environnement de travail de l'opérateur. Si ce n'est pas possible, prendre des mesures de protection appropriées pour travailler à proximité de composants sous tension électrique.
- ▶ Ne pas tronçonner ni couper des câbles sous tension électrique. L'appareil étant considéré comme n'étant pas isolé, il faut l'utiliser en portant un équipement de protection individuel (gants, chaussures, vêtements, etc.) apte à protéger l'utilisateur ainsi que toute personne se trouvant à proximité. L'appareil peut être utilisé sur des plates-formes isolées.

Utilisation et emploi soigneux des outils électroportatifs

- ▶ Toutes les 100 opérations de sectionnement/coupe environ, arrêter l'outil et faire une pause de 15 min environ pour le laisser refroidir. Toute surchauffe risque d'endommager l'appareil.

2.3 Utilisation et emploi soigneux des accus

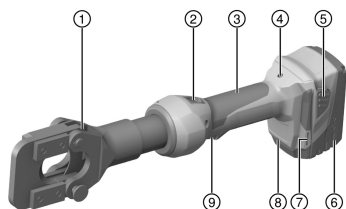
- ▶ Respecter les directives spécifiques relatives au transport, au stockage et à l'utilisation des accus Li-Ion.
- ▶ Ne pas exposer les accus à des températures élevées, ni au rayonnement direct du soleil ni au feu.
- ▶ Les accus ne doivent pas être démontés, écrasés, chauffés à une température supérieure à 80 °C (176 °F) ou jetés au feu.
- ▶ Ne jamais utiliser ni charger d'accus qui ont subi un choc électrique, qui sont tombés de plus d'un mètre ou qui ont été endommagés d'une manière quelconque. Si tel est le cas, il convient de contacter le **S.A.V Hilti**.
- ▶ Si l'accu est trop chaud pour être touché, il est probablement défectueux. Placer l'accu dans un endroit bien visible, non inflammable et suffisamment éloigné de matériaux inflammables. Laisser l'accu refroidir.



Si, après une heure, l'accu est toujours trop chaud pour être saisi, c'est qu'il est défectueux. Contacter le **S.A.V. Hilti**.

3 Description

3.1 Vue d'ensemble du produit



- ① Tête de coupe
- ② Interrupteur à rappel automatique pour le recul manuel
- ③ Boîtier
- ④ Témoin d'avertissement et de défauts (LED rouge)
- ⑤ Déverrouillage d'accu
- ⑥ Accu
- ⑦ Fente des deux côtés pour fixer la sécurité anti-chute **Hilti**
- ⑧ LED blanche d'éclairage de la zone de travail
- ⑨ Variateur électronique de vitesse

3.2 Utilisation conforme à l'usage prévu

Le produit décrit est un outil de coupe électrohydraulique sans fil.

Il est destiné aux travaux de sectionnement / coupe de câbles en cuivre (Cu), aluminium (Al) et acier (par ex. ACSR).

Avant de commencer à travailler, il faut mettre hors tension tous les éléments actifs, c'est-à-dire les éléments conducteurs de courant qui se trouvent dans l'environnement de travail de l'opérateur. Si ce n'est pas possible, prendre des mesures de protection appropriées au travail à proximité de composants sous tension électrique.

- ▶ Pour ce produit, utiliser exclusivement les accus Li-Ion **Hilti** de la série B 22.
- ▶ Pour ces accus, utiliser exclusivement les chargeurs **Hilti** de la série C4/36.

3.3 Mauvaise utilisation possible

- Le produit à guidage manuel ne doit pas être encastré à des fins d'utilisation stationnaire.
- Le produit ne doit pas être utilisé en cas de forte pluie ou sous l'eau.

3.4 Indicateur de l'état de charge

L'état de charge de l'accu Li-Ion s'affiche après actionnement du bouton de déverrouillage.

État	Signification
4 LED allumées.	État de charge : 75 % à 100 %
3 LED allumées.	État de charge : 50 % à 75 %
2 LED allumées.	État de charge : 25 % à 50 %
1 LED allumée.	État de charge : 10 % à 25 %
1 LED clignote, l'appareil est fonctionnel.	État de charge : < 10 %



Si le variateur de vitesse électronique est activé, il n'est pas possible d'interroger l'indicateur de l'état de charge.

3.5 Éléments livrés

Outil de coupe, mode d'emploi



D'autres produits système pour votre produit peuvent être trouvés dans votre **Hilti Store** ou à l'adresse : www.hilti.group



4 Caractéristiques techniques

Tension de référence	21,6 V
Poids selon EPTA Procedure 01	4,0 kg
Section de câble max.	45 mm
Capacité de coupe max. pour câble d'aluminium renforcé d'acier (ACSR) : 1590 MCM (Falcon)	44,4 mm (1 3/4 in)
Capacité de coupe max. pour câble d'acier (standard)/Guy Wire (standard)	15,9 mm (5/8 in)
Capacité de coupe max. pour câble d'acier (EHS)/Guy Wire (EHS)	13 mm (1/2 in)
Capacité de coupe max. pour des fers d'armature	13 mm (1/2 in)
Température de stockage	-20 °C ... 70 °C (-4 °F ... 158 °F)
Température de service en cours de service	-17 °C ... 60 °C (1 °F ... 140 °F)

4.1 Batterie

Tension nominale de l'accu	21,6 V
Température de service en cours de service	-17 °C ... 60 °C (1 °F ... 140 °F)
Température de stockage	-20 °C ... 40 °C (-4 °F ... 104 °F)
Température de l'accu au début de la charge	-10 °C ... 45 °C (14 °F ... 113 °F)
Poids (B22/2.6 (02))	0,5 kg (1,1 lb)
Poids (B22/3.0 (01))	0,6 kg (1,3 lb)
Poids (B22/4.0 (01))	0,7 kg (1,5 lb)
Poids (B22/5.2 (01))	0,8 kg (1,8 lb)
Poids (B22/8.0 (01))	1,1 kg (2,4 lb)

5 Préparatifs

AVERTISSEMENT

Risque de blessures du fait d'une mise en marche inopinée !

- ▶ Avant d'insérer l'accu, s'assurer que le produit correspondant est bien sur arrêt.
- ▶ Retirer le bloc-accu, avant d'effectuer des réglages sur l'appareil ou de changer les accessoires.

Bien respecter les consignes de sécurité et les avertissements de la présente documentation ainsi que celles figurant sur le produit.

5.1 Recharge de l'accu

1. Avant de commencer la charge, lire le mode d'emploi du chargeur.
2. Veiller à ce que les contacts de l'accu et du chargeur sont propres et secs.
3. Charger l'accu à l'aide d'un chargeur homologué. → Page 15



5.2 Introduction de l'accu

AVERTISSEMENT

Risque de blessures du fait d'un court-circuit ou de la chute de l'accu !

- ▶ Avant d'insérer l'accu dans l'appareil, s'assurer que les contacts de l'accu et les contacts sur le produit sont exempts de corps étrangers.
- ▶ S'assurer que l'accu s'encliquette toujours correctement.

1. L'accu doit être entièrement chargé avant la première mise en service.
2. Introduire l'accu dans le produit jusqu'à ce qu'il s'enclenche de manière audible.
3. Vérifier que l'accu est bien en place.

5.3 Retrait de l'accu

1. Appuyer sur les boutons de déverrouillage de l'accu.
2. Retirer l'accu hors de l'appareil.

5.4 Montage de la sécurité anti-chute Hilti (en option)

ATTENTION

Risque d'endommagement du produit et/ou du harnais. Il y a risque d'endommagement du produit et / ou du harnais en cas de maniement non conforme.

- ▶ Ne pas utiliser de chaîne métallique en tant que harnais. Ne pas utiliser de disques à tronçonner avec une longueur de plus de 2 m (6 ft).



Pour éviter tout endommagement lors des travaux en hauteur, il est recommandé d'utiliser une sécurité anti-chute **Hilti**.

La sécurité anti-chute permet de fixer des câbles d'ancrage/élingues.

Les directives nationales en vigueur applicables aux travaux en hauteur doivent être respectées lorsque le produit est utilisé.

1. Retirer l'accu.
2. Faire passer les deux attaches de la sécurité anti-chute dans les fentes se trouvant des deux côtés du pied de l'appareil.
3. Fixer la sécurité anti-chute avec les vis correspondantes.
4. Remettre l'accu en place.

5.5 Démontage de la sécurité anti-chute Hilti (en option)

1. Retirer l'accu.
2. Desserrer les vis de la sécurité anti-chute.
3. Retirer les deux attaches de la sécurité anti-chute hors des fentes du pied de l'appareil et enlever la sécurité anti-chute.
4. Remettre l'accu en place.

6 Utilisation

Bien respecter les consignes de sécurité et les avertissements de la présente documentation ainsi que celles figurant sur le produit.

6.1 Réalisation d'une opération de sectionnement / coupe

AVERTISSEMENT

Risque de blessures ! Risque de blessures graves lors de l'opération de sectionnement.

- ▶ Lors de l'opération de sectionnement, veiller à respecter une distance suffisante entre la tête de coupe et la main / les doigts.



i Pour les travaux de sectionnement / coupe dans des zones de travail étroites ou défavorables, la tête de coupe peut être tournée de 350° autour de l'axe longitudinal.

i Par temps froids, l'huile hydraulique peut s'épaissir et ralentir l'opération de sertissage. Réaliser 5 à 10 opérations de sertissage à vide pour réchauffer la sertisseuse.

1. Tourner la tête de coupe dans la position de travail souhaitée.
2. Poser le câble à sectionner dans la tête de coupe resp. passer la tête de coupe au-dessus du câble à sectionner.

i Toujours faire passer le câble à sectionner complètement dans la tête de coupe.

Ne pas dépasser la capacité de coupe maximale.

Ne pas couper de câble qui ne peut pas être introduit complètement dans la tête de coupe.

3. Actionner le variateur électronique de vitesse.
4. Tenir le variateur électronique de vitesse enfoncé jusqu'à la détente de l'outil de coupe, nettement reconnaissable au bruit « Pop ».
 - ▶ Une fois la coupe réalisée, le produit revient automatiquement à la position initiale.

6.2 Procéder à une opération de sectionnement/coupe (câble raccordé)

1. Retirer la goupille de blocage.
2. Rabattre la tête de coupe vers le haut.
3. Lubrifier l'articulation de la tête de coupe et les guidage de la goupille de blocage.
4. Placer l'outil autour du câble à sectionner et rabattre la tête de coupe vers le bas.

i Ne pas dépasser la capacité de coupe maximale.

Ne pas couper de câble qui ne peut pas être introduit complètement dans la tête de coupe.

5. Verrouiller la tête de coupe avec la goupille de blocage.
 - ▶ Un clic mécanique confirme le verrouillage correct.
6. Actionner le variateur électronique de vitesse.
7. Maintenir le variateur électronique de vitesse enfoncé jusqu'à la décompression de l'outil de coupe s'instaure.
 - ▶ Une fois la coupe réalisée, le produit revient automatiquement à la position initiale.

7 Nettoyage et entretien

AVERTISSEMENT

Risque de blessures lorsque l'accu est inséré !

- ▶ Toujours retirer l'accu avant tous travaux de nettoyage et d'entretien !

Entretien du produit

- Éliminer avec précaution les saletés récalcitrantes.
- Le cas échéant, nettoyer soigneusement les ouïes d'aération à l'aide d'une brosse sèche et douce.
- Nettoyer le carter de l'appareil uniquement avec un chiffon légèrement humide. Ne pas utiliser de nettoyeurs à base de silicone car ceci pourrait attaquer les pièces en plastique.
- Utiliser un chiffon propre et sec pour nettoyer les contacts du produit.

Entretien des accus Li-ion

- Ne jamais utiliser un accu dont les ouïes d'aération sont bouchées. Nettoyer soigneusement les ouïes d'aération à l'aide d'une brosse sèche et douce.
- Éviter d'exposer inutilement l'accu à la poussière ou à la saleté. Ne jamais exposer l'accu à une forte humidité (par exemple en l'immergeant dans de l'eau ou en le laissant sous la pluie).
Si l'accu a été trempé, le traiter comme un accu endommagé. L'isoler dans un récipient ininflammable et s'adresser au S.A.V. Hilti.



- Veiller à ce que l'accu soit toujours exempt de traces de graisse et d'huile étrangères. Ne pas laisser de la poussière ou de la saleté s'accumuler inutilement sur l'accu. Nettoyer l'accu avec une brosse sèche et douce ou un chiffon propre et sec. Ne pas utiliser de nettoyeurs à base de silicone car ceci pourrait attaquer les pièces en plastique.
Ne pas toucher les contacts de l'accu et ne pas enlever la graisse appliquée en usine sur les contacts.
- Nettoyer le carter de l'appareil uniquement avec un chiffon légèrement humide. Ne pas utiliser de nettoyeurs à base de silicone car ceci pourrait attaquer les pièces en plastique.

Entretien

- Vérifier régulièrement qu'aucune pièce visible n'est endommagée et que les organes de commande sont parfaitement opérationnels.
- Ne pas utiliser le produit en cas d'endommagements et/ou de dysfonctionnements. Faire immédiatement réparer le produit par le S.A.V. Hilti.
- Après des travaux de nettoyage et d'entretien, vérifier si tous les équipements de protection sont bien en place et fonctionnent parfaitement.



Pour une utilisation en toute sécurité, utiliser uniquement des pièces de rechange et consommables d'origine. Vous trouverez les pièces de rechange, consommables et accessoires autorisés par Hilti convenant pour votre produit dans le centre **Hilti Store** ou sous : www.hilti.group

8 Transport et stockage des outils sur accu et des accus

Transport

ATTENTION

Mise en marche inopinée lors du transport !

- ▶ Toujours retirer les accus avant de transporter les produits !
- ▶ Retirer le ou les accus.
- ▶ Ne jamais transporter les accus en vrac. Pendant le transport, les accus doivent être protégés des vibrations et chocs excessifs, isolés de tout matériau conducteur ou autre accu, pour éviter qu'ils n'entrent en contact avec d'autres pôles de batterie et qu'ils provoquent un court-circuit. **Tenir compte des prescriptions locales pour le transport d'accus.**
- ▶ Ne pas envoyer les accus par la poste. S'adresser à un service d'expédition s'il faut envoyer des accus non endommagés.
- ▶ Contrôler l'état du produit et des accus avant chaque utilisation, ainsi qu'avant et après tout transport prolongé.

Stockage

AVERTISSEMENT

Endommagement involontaire du fait d'accus défectueux ou de chute d'accu !

- ▶ Toujours retirer les accus avant de stocker les produits !
- ▶ Stocker si possible le produit et les accus dans un endroit sec et frais. Respecter les valeurs limites de température indiquées dans les caractéristiques techniques.
- ▶ Ne pas stocker les accus sur le chargeur. Retirer toujours l'accu du chargeur après la charge.
- ▶ Ne jamais stocker les accus exposés au soleil, sur des sources de chaleur ou derrière des vitres.
- ▶ Stocker le produit et les accus à l'abri des enfants et des personnes non autorisées.
- ▶ Contrôler l'état du produit et des accus avant chaque utilisation, ainsi qu'avant et après tout stockage prolongé.

9 Aide au dépannage

En cas de défaillances non énumérées dans ce tableau ou auxquelles il n'est pas possible de remédier sans aide, contacter le S.A.V. Hilti.

9.1 Outil de coupe pas en état de fonctionner

Défaillance	Causes possibles	Solution
Les LED sur l'accu n'indiquent rien.	L'accu n'est pas complètement encliqueté.	▶ Encliqueter l'accu d'un « double-clic ».



Défaillance	Causes possibles	Solution
Les LED sur l'accu n'indiquent rien.	Décharger l'accu.	► Remplacer l'accu et charger l'accu vide.
	Accu trop chaud ou trop froid.	► Laisser l'accu refroidir ou amener l'accu à la température ambiante.
1 LED clignote sur l'accu.	Décharger l'accu.	► Remplacer l'accu et charger l'accu vide.
	Accu trop chaud ou trop froid.	► Laisser l'accu refroidir ou amener l'accu à la température ambiante.
4 LED clignotent sur l'accu.	Surcharge momentanée du produit.	► Laisser le produit refroidir.
LED rouge => Allumé en continu avec signal d'avertissement.	Problème technique.	► Probable erreur d'application ! Contacter le S.A.V. Hilti .
LED rouge => Bref clignotement avec signal d'avertissement.	L'état de charge de l'accu est trop faible pour pouvoir mener à bien une application complète.	► Remplacer l'accu et charger l'accu vide.
LED rouge => Allumé brièvement sans signal d'avertissement.	Surchauffe du produit.	► Laisser le produit refroidir.

9.2 Outil de coupe en état de fonctionner

Défaillance	Causes possibles	Solution
L'accu se vide plus rapidement que d'habitude.	Température ambiante très basse.	► Laisser l'accu se réchauffer lentement à la température ambiante.
L'accu ne s'encliquette pas avec un « double-clic » audible.	Ergots d'encliquetage encrassés sur l'accu.	► Nettoyer les ergots d'encliquetage et réencliqueter l'accu dans son logement.
LED rouge => Allumé en continu avec signal d'avertissement.	Problème technique.	► Probable erreur d'application ! Contacter le S.A.V. Hilti .

10 Recyclage



AVERTISSEMENT

Risque de blessures en cas d'élimination incorrecte ! Émanations possibles de gaz et de liquides nocives pour la santé.

- Ne pas envoyer ni expédier d'accus endommagés !
- Recouvrir les raccords avec un matériau non conducteur pour éviter tout court-circuit.
- Éliminer les accus en veillant à ce qu'ils soient hors de la portée des enfants.
- Éliminer l'accu en le déposant auprès du **Hilti Store** local ou s'adresser à l'entreprise de collecte des déchets compétente.

Les produits **Hilti** sont fabriqués pour une grande partie en matériaux recyclables. Le recyclage présuppose un tri adéquat des matériaux. **Hilti** reprend les appareils usagés dans de nombreux pays en vue de leur recyclage. Consulter le service clients **Hilti** ou un conseiller commercial.



- Ne pas jeter les appareils électriques, électroniques et accus dans les ordures ménagères !



11 Déclaration FCC (valable aux États-Unis) / Déclaration IC (valable au Canada)

Cet appareil est conforme au paragraphe 15 des dispositions FCC et RSS-210 de IC. La mise en service est soumise aux deux conditions suivantes :

1. Cet appareil ne devrait pas générer de rayonnements nuisibles.
2. L'appareil doit absorber toutes sortes de rayonnements, y compris les rayonnements entraînant des opérations indésirables.

12 Garantie constructeur

- ▶ En cas de questions sur les conditions de garantie, veuillez vous adresser à votre partenaire **Hilti** local.

Manual de instrucciones original

1 Información sobre la documentación

1.1 Acerca de esta documentación

- Lea detenidamente esta documentación antes de la puesta en servicio. Ello es imprescindible para un trabajo seguro y un manejo sin problemas.
- Respete las indicaciones de seguridad y las advertencias presentes en esta documentación y en el producto.
- Conserve este manual de instrucciones siempre junto con el producto y entregue el producto a otras personas siempre acompañado del manual.

1.2 Explicación de símbolos

1.2.1 Avisos

Las advertencias de seguridad advierten de peligros derivados del manejo del producto. Se utilizan las siguientes palabras de peligro:

PELIGRO

PELIGRO !

- ▶ Término utilizado para un peligro inminente que puede ocasionar lesiones graves o incluso la muerte.

ADVERTENCIA

ADVERTENCIA !

- ▶ Término utilizado para un posible peligro que puede ocasionar lesiones graves o incluso la muerte.






PRECAUCIÓN

PRECAUCIÓN !

- ▶ Término utilizado para una posible situación peligrosa que puede ocasionar lesiones o daños materiales.

1.2.2 Símbolos en el manual de instrucciones

En este manual de instrucciones se utilizan los siguientes símbolos:

	Consulte el manual de instrucciones
	Indicaciones de uso y demás información de interés
	Manejo con materiales reutilizables
	No tire las herramientas eléctricas y las baterías junto con los desperdicios domésticos
	Hilti Batería de Ion-Litio





Hilti Cargador

1.2.3 Símbolos en las figuras

En las figuras se utilizan los siguientes símbolos:

	Estos números hacen referencia a la figura correspondiente incluida al principio de este manual de instrucciones.
3	La numeración describe el orden de los pasos de trabajo en la imagen y puede ser diferente de los pasos descritos en el texto.
	En la figura Vista general se utilizan números de posición y los números de la leyenda están explicados en el apartado Vista general del producto .
	Preste especial atención a este símbolo cuando utilice el producto.

1.3 Símbolos en la herramienta

1.3.1 Símbolos

En el producto se pueden utilizar los siguientes símbolos:

	Peligro de corte.
	Utilice gafas protectoras.
	Corriente continua
	La herramienta admite la tecnología NFC, compatible con plataformas iOS y Android.
Li-Ion	Batería de Ion-Litio
	Serie utilizada de baterías de Ion-Litio Hilti . Consulte las indicaciones recogidas en el capítulo Uso conforme a las prescripciones .
	Nunca utilice la batería como herramienta de percusión.
	No deje que la batería se caiga. No utilice baterías que hayan recibido algún golpe ni que estén dañadas de alguna otra forma.

1.4 Información del producto

Los productos han sido diseñados para usuarios profesionales y solo personal autorizado y debidamente formado puede utilizarlos y llevar a cabo su mantenimiento y conservación. Este personal debe estar especialmente instruido en lo referente a los riesgos de uso. La utilización del producto y sus dispositivos auxiliares puede conllevar riesgos para el usuario en caso de manejarse de forma inadecuada por personal no cualificado o utilizarse para usos diferentes a los que están destinados.

La denominación del modelo y el número de serie están indicados en la placa de identificación.

- ▶ Escriba el número de serie en la siguiente tabla. Necesitará los datos del producto para realizar consultas a nuestros representantes o al Departamento de Servicio Técnico.

Datos del producto

Cortadora	NCT IS 045-A22
Generación	01
N.º de serie.	

2 Seguridad

2.1 Indicaciones generales de seguridad para herramientas eléctricas

ADVERTENCIA Lea con atención todas las indicaciones de seguridad, instrucciones, ilustraciones y datos técnicos correspondientes a esta herramienta eléctrica. La negligencia en el cumplimiento



de las instrucciones que se describen a continuación podría provocar descargas eléctricas, incendios o lesiones graves.

Conserve todas las instrucciones e indicaciones de seguridad para futuras consultas.

El término «herramienta eléctrica» empleado en las indicaciones de seguridad se refiere a herramientas eléctricas portátiles, ya sea con cable de red o sin cable, en caso de ser accionadas por batería.

Seguridad en el puesto de trabajo

- ▶ **Mantenga su área de trabajo limpia y bien iluminada.** El desorden o una iluminación deficiente de las zonas de trabajo pueden provocar accidentes.
- ▶ **No utilice la herramienta eléctrica en un entorno con peligro de explosión en el que se encuentren líquidos, gases o polvos inflamables.** Las herramientas eléctricas producen chispas que pueden llegar a inflamar los materiales en polvo o vapores.
- ▶ **Mantenga alejados a los niños y otras personas de su puesto de trabajo al emplear la herramienta eléctrica.** Una distracción le puede hacer perder el control sobre la herramienta.

Seguridad eléctrica

- ▶ **El enchufe de la herramienta eléctrica debe corresponder a la toma de corriente utilizada. No se deberá modificar el enchufe en forma alguna. No utilice enchufes adaptadores para las herramientas eléctricas con puesta a tierra.** Los enchufes sin modificar adecuados a las respectivas tomas de corriente reducen el riesgo de descarga eléctrica.
- ▶ **Evite el contacto corporal con superficies que tengan puesta a tierra, como pueden ser tubos, calefacciones, cocinas y frigoríficos.** El riesgo a quedar expuesto a una sacudida eléctrica es mayor si su cuerpo tiene contacto con tierra.
- ▶ **No exponga las herramientas eléctricas a la lluvia y evite que penetren líquidos en su interior.** El riesgo de recibir descargas eléctricas aumenta si penetra agua en la herramienta eléctrica.
- ▶ **No utilice el cable de conexión para transportar o colgar la herramienta eléctrica ni tire de él para extraer el enchufe de la toma de corriente. Mantenga el cable de conexión alejado de fuentes de calor, aceite, aristas afiladas o piezas móviles.** Los cables de conexión dañados o enredados pueden provocar descargas eléctricas.
- ▶ **Cuando trabaje al aire libre con una herramienta eléctrica, utilice exclusivamente un alargador adecuado para exteriores.** La utilización de un alargador adecuado para su uso en exteriores evita el riesgo de una descarga eléctrica.
- ▶ **Cuando no pueda evitarse el uso de la herramienta eléctrica en un entorno húmedo, utilice un interruptor de corriente de defecto.** La utilización de un interruptor de corriente de defecto evita el riesgo de una descarga eléctrica.

Seguridad de las personas

- ▶ **Permanezca atento, preste atención durante el trabajo y utilice la herramienta eléctrica con prudencia. No utilice una herramienta eléctrica si está cansado, ni tampoco después de haber consumido alcohol, drogas o medicamentos.** Un momento de descuido al utilizar la herramienta eléctrica podría producir graves lesiones.
- ▶ **Utilice el equipo de seguridad personal adecuado y lleve siempre gafas protectoras.** El riesgo de lesiones se reduce considerablemente si, según el tipo y la aplicación de la herramienta eléctrica empleada, se utiliza un equipo de seguridad personal adecuado como una mascarilla antipolvo, zapatos de seguridad con suela antideslizante, casco de protección o protección para los oídos.
- ▶ **Evite una puesta en servicio fortuita de la herramienta. Asegúrese de que la herramienta eléctrica está apagada antes de alzarla, transportarla, conectarla a la toma de corriente o insertar la batería.** Si transporta la herramienta eléctrica sujetándola por el interruptor de conexión/desconexión o si introduce el enchufe en la toma de corriente con la herramienta conectada, podría producirse un accidente.
- ▶ **Retire las herramientas de ajuste o llaves fijas antes de conectar la herramienta eléctrica.** Una herramienta o llave colocada en una pieza giratoria puede producir lesiones al ponerse en funcionamiento.
- ▶ **Evite adoptar posturas forzadas. Procure que la postura sea estable y manténgase siempre en equilibrio.** De esta forma podrá controlar mejor la herramienta eléctrica en caso de presentarse una situación inesperada.
- ▶ **Utilice ropa adecuada. No utilice vestimenta amplia ni joyas. Mantenga su pelo, vestimenta y guantes alejados de las piezas móviles.** La vestimenta suelta, las joyas y el pelo largo se pueden enganchar con las piezas en movimiento.
- ▶ **Siempre que sea posible montar equipos de aspiración o captación de polvo, asegúrese de que están conectados y de que se utilizan correctamente.** El uso de un sistema de aspiración de polvo reduce los riesgos derivados del polvo.
- ▶ **No se crea a salvo de cualquier riesgo ni pase por alto ninguna de las normas de seguridad relativas a las herramientas eléctricas, aun cuando esté familiarizado con la herramienta eléctrica**



y tenga larga experiencia en su uso. Una actuación negligente puede provocar lesiones graves en cuestión de segundos.

Uso y manejo de la herramienta eléctrica

- ▶ **No sobrecargue la herramienta. Utilice la herramienta eléctrica adecuada para el trabajo que se dispone a realizar.** Con la herramienta eléctrica apropiada podrá trabajar mejor y de modo más seguro dentro del margen de potencia indicado.
- ▶ **No utilice herramientas eléctricas con el interruptor defectuoso.** Las herramientas eléctricas que no se puedan conectar o desconectar son peligrosas y deben repararse.
- ▶ **Extraiga el enchufe de la toma de corriente o retire la batería extraíble antes de efectuar cualquier ajuste en la herramienta, cambiar accesorios o en caso de no utilizar la herramienta durante un tiempo prolongado.** Esta medida preventiva evita el riesgo de arranque accidental de la herramienta eléctrica.
- ▶ **Guarde las herramientas eléctricas que no utilice fuera del alcance de los niños. No permita utilizar la herramienta a ninguna persona que no esté familiarizada con ella o que no haya leído este manual de instrucciones.** Las herramientas eléctricas utilizadas por personas inexpertas son peligrosas.
- ▶ **Cuide su herramienta eléctrica y los accesorios adecuadamente. Compruebe si las piezas móviles de la herramienta funcionan correctamente y sin atascarse, y si existen piezas rotas o deterioradas que pudieran afectar al funcionamiento de la herramienta eléctrica. Encargue la reparación de las piezas defectuosas antes de usar la herramienta eléctrica.** Muchos accidentes son consecuencia de un mantenimiento inadecuado de la herramienta eléctrica.
- ▶ **Mantenga los útiles limpios y afilados.** Las herramientas de corte bien cuidadas y con aristas afiladas se atascan menos y se guían con más facilidad.
- ▶ **Utilice la herramienta eléctrica, los accesorios, útiles de inserción, etc., de acuerdo con estas instrucciones. Para ello, tenga en cuenta las condiciones de trabajo y la tarea que se va a realizar.** El uso de herramientas eléctricas para trabajos diferentes de aquellos para los que han sido concebidas puede resultar peligroso.
- ▶ **Mantenga las empuñaduras y las superficies de contacto secas, limpias y sin residuos de aceite o grasa.** Las empuñaduras y superficies de contacto resbaladizas impiden manejar y controlar la herramienta eléctrica con seguridad en situaciones imprevistas.

Uso y manejo de la herramienta de batería

- ▶ **Cargue las baterías únicamente con los cargadores recomendados por el fabricante.** Existe riesgo de incendio al intentar cargar baterías de un tipo diferente al previsto para el cargador.
- ▶ **Utilice únicamente las baterías previstas para la herramienta eléctrica.** El uso de otro tipo de baterías puede provocar daños e incluso incendios.
- ▶ **Si no utiliza la batería, guárdela separada de clips, monedas, llaves, clavos, tornillos y demás objetos metálicos que pudieran puentear sus contactos.** El cortocircuito de los contactos de la batería puede causar quemaduras o incendios.
- ▶ **La utilización inadecuada de la batería puede provocar fugas de líquido. Evite el contacto con este líquido. En caso de contacto accidental, enjuague el área afectada con abundante agua. En caso de contacto con los ojos, acuda además inmediatamente a un médico.** El líquido de la batería puede irritar la piel o producir quemaduras.
- ▶ **No utilice baterías dañadas o modificadas.** Una batería dañada o modificada puede tener un comportamiento imprevisible y provocar incendios, explosiones o riesgo de lesiones.
- ▶ **No exponga la batería al fuego o a temperaturas muy elevadas.** El fuego o las temperaturas superiores a 130 °C (265 °F) pueden provocar una explosión.
- ▶ **Siga todas las instrucciones relativas a la carga y no cargue nunca la batería o la herramienta de batería excediendo el rango de temperatura indicado en el manual de instrucciones.** Una carga incorrecta o fuera del rango de temperatura permitido puede destruir la batería y aumentar el riesgo de incendio.

Servicio Técnico

- ▶ **Solicite que un profesional lleve a cabo la reparación de su herramienta eléctrica y que utilice exclusivamente piezas de repuesto originales.** Solamente así se garantiza la seguridad de la herramienta.
- ▶ **No realice nunca el mantenimiento de baterías dañadas.** Cualquier mantenimiento de las baterías debe llevarlo a cabo el fabricante o un centro del Servicio de Atención al Cliente autorizado.



2.2 Indicaciones de seguridad adicionales para la cortadora

Seguridad de las personas

- ▶ Utilice el producto solo si está en perfecto estado técnico.
- ▶ No efectúe nunca manipulaciones o modificaciones en la herramienta.

Seguridad eléctrica

- ▶ Antes de utilizar la herramienta deben dejarse sin tensión todos los componentes activos (conductores de corriente) que se encuentren en el entorno de trabajo del usuario. Si esto no es posible, deben tomarse las correspondientes medidas de protección para trabajar cerca de componentes bajo tensión.
- ▶ No tronce ni corte ningún cable o conductor que se encuentre bajo tensión. La herramienta no puede considerarse aislada y, por tanto, debe utilizarse junto con el equipo de seguridad personal (guantes de protección, zapatos de protección, prendas protectoras, etc.) apropiado para la protección propia y de las personas que se encuentren en el entorno de la herramienta. Es posible utilizar la herramienta en plataformas aisladas.

Manipulación y utilización segura de las herramientas eléctricas

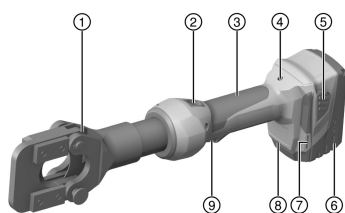
- ▶ Después de aprox. 100 tronizados o cortes consecutivos, desconecte la herramienta eléctrica y déjela enfriar durante aprox. 15 minutos. El sobrecalentamiento puede producir daños en la herramienta.

2.3 Manipulación y utilización segura de las baterías

- ▶ Tenga en cuenta las directivas especiales en materia de transporte, almacenamiento y manejo de las baterías de Ion-Litio.
- ▶ Mantenga las baterías alejadas de altas temperaturas, radiación solar directa y fuego.
- ▶ Las baterías no se deben destruir, comprimir, calentar por encima de 80 °C (176 °F) o quemar.
- ▶ No utilice ni cargue baterías que hayan recibido algún golpe, que hayan caído desde una altura superior a un metro o que estén dañadas de alguna otra forma. En este caso, póngase siempre en contacto con el **Hilti Servicio Técnico**.
- ▶ Si al tocar la batería detecta que está muy caliente, puede deberse a una avería en la misma. Coloque la batería en un lugar visible, no inflamable, a suficiente distancia de otros materiales inflamables. Deje que la batería se enfríe. Si, después de una hora, la herramienta sigue estando demasiado caliente para tocarla significa que está averiada. Póngase en contacto con el **Servicio Técnico de Hilti**.

3 Descripción

3.1 Vista general del producto



- ① Cabezal de corte
- ② Interruptor de reinicio para retroceso manual
- ③ Carcasa
- ④ Indicador de mantenimiento y errores (LED rojo)
- ⑤ Desbloqueo de la batería
- ⑥ Batería
- ⑦ Ranura a ambos lados para fijar la protección en caso de caída **Hilti**
- ⑧ LED blanco para iluminar el entorno de trabajo
- ⑨ Conmutador de control

3.2 Uso conforme a las prescripciones

El producto descrito es una cortadora electrohidráulica alimentada por batería.

Está diseñada para tronzar y cortar cables de cobre (Cu), aluminio (Al) y acero (p. ej., tipo ACSR).

Antes de empezar a trabajar, deben dejarse sin tensión todos los componentes activos (conductores de corriente) que se encuentren en el entorno de trabajo del usuario. Si esto no es posible, deben tomarse las correspondientes medidas de protección para trabajar cerca de componentes bajo tensión.

- ▶ Para este producto utilice únicamente las baterías de Ion-Litio de **Hilti** de la serie B 22.
- ▶ Para estas baterías utilice exclusivamente los cargadores de **Hilti** de la serie C4/36.



3.3 Posibles usos indebidos

- Este producto de guiado manual no debe fijarse ni utilizarse para aplicaciones estacionarias.
- El producto no debe utilizarse en caso de lluvia intensa ni tampoco sumergirse en agua.

3.4 Indicador del estado de carga

El estado de carga de la batería de Ion-Litio se visualiza pulsando la tecla de desbloqueo.

Estado	Significado
4 LED encendidos.	Estado de carga: 75 % a 100 %
3 LED encendidos.	Estado de carga: 50 % a 75 %
2 LED encendidos.	Estado de carga: 25 % a 50 %
1 LED encendido.	Estado de carga: 10 % a 25 %
1 LED parpadea, la herramienta está lista para funcionar.	Estado de carga: < 10 %



Si el conmutador de control está accionado no se puede consultar el estado de carga.

3.5 Suministro

Cortadora, manual de instrucciones



Encontrará otros productos del sistema autorizados para su producto en su **Hilti Store** o en Internet, en: www.hilti.group

4 Datos técnicos

Tensión nominal	21,6 V
Peso según EPTA Procedure 01	4,0 kg
Diámetro máx. de cable	45 mm
Capacidad de corte máx. para cable de aluminio reforzado con acero (ACSR): 1590 MCM (Falcon)	44,4 mm (1 3/4 in)
Capacidad de corte máx. para cable de acero (estándar) / cable de sujeción (estándar)	15,9 mm (5/8 in)
Capacidad de corte máx. para cable de acero (EHS) / cable de sujeción (EHS)	13 mm (1/2 in)
Capacidad de corte máx. para hierros de armadura	13 mm (1/2 in)
Temperatura de almacenamiento	-20 °C ... 70 °C (-4 °F ... 158 °F)
Temperatura ambiente en funcionamiento	-17 °C ... 60 °C (1 °F ... 140 °F)

4.1 Batería

Tensión de servicio de la batería	21,6 V
Temperatura ambiente en funcionamiento	-17 °C ... 60 °C (1 °F ... 140 °F)
Temperatura de almacenamiento	-20 °C ... 40 °C (-4 °F ... 104 °F)
Temperatura de la batería al comenzar la carga	-10 °C ... 45 °C (14 °F ... 113 °F)
Peso (B22/2.6 (02))	0,5 kg (1,1 lb)



Peso (B22/3.0 (01))	0,6 kg (1,3 lb)
Peso (B22/4.0 (01))	0,7 kg (1,5 lb)
Peso (B22/5.2 (01))	0,8 kg (1,8 lb)
Peso (B22/8.0 (01))	1,1 kg (2,4 lb)

5 Preparación del trabajo

ADVERTENCIA

Riesgo de lesiones por arranque involuntario.

- ▶ Antes de insertar la batería, asegúrese de que el producto correspondiente esté desconectado.
- ▶ Retire la batería antes de realizar ajustes en la herramienta o de cambiar accesorios.

Respete las indicaciones de seguridad y las advertencias presentes en esta documentación y en el producto.

5.1 Carga de la batería

1. Antes de cargarla, lea el manual de instrucciones del cargador.
2. Asegúrese de que los contactos de la batería y del cargador estén limpios y secos.
3. Cargue la batería en un cargador autorizado. → página 25

5.2 Colocación de la batería

ADVERTENCIA

Riesgo de lesiones por cortocircuito o caída de la batería.

- ▶ Antes de insertar la batería, asegúrese de que los contactos de la batería y del producto estén libres de cuerpos extraños.
- ▶ Asegúrese de que la batería encaje siempre correctamente.

1. Cargue por completo la batería antes de la primera puesta en servicio.
2. Introduzca la batería en el producto hasta que encaje de forma audible.
3. Compruebe que la batería está bien colocada.

5.3 Extracción de la batería

1. Pulse las teclas de desbloqueo de la batería.
2. Extraiga la batería de la herramienta.

5.4 Montaje de la protección en caso de caída Hilti (opcional)

ATENCIÓN

Daños en el producto y/o en la cuerda. El uso inadecuado puede provocar daños en el producto y/o en la cuerda.

- ▶ No utilice cadenas de metal como cuerdas. No utilice cuerdas de más de 2 m (6 ft) de longitud.



Para evitar posibles daños, se recomienda utilizar la protección en caso de caída de Hilti cuando se trabaje en una posición elevada.

La protección en caso de caída permite la fijación de cables o cintas de sujeción.

Las directivas nacionales para trabajos en posición elevada son de obligado cumplimiento mientras se trabaja con el producto.

1. Extraiga la batería.
2. Introduzca las dos lengüetas de la protección en caso de caída en la ranuras que se encuentran a ambos lados de la base de la herramienta.



3. Fije la protección en caso de caída con los correspondientes tornillos.
4. Coloque de nuevo la batería.

5.5 Desmontaje de la protección en caso de caída Hilti (opcional)

1. Extraiga la batería.
2. Desatornille los tornillos de la protección en caso de caída.
3. Saque las dos lengüetas de la protección en caso de caída de las ranuras que hay en la base de la herramienta y retire la protección en caso de caída.
4. Coloque de nuevo la batería.

6 Manejo

Respete las indicaciones de seguridad y las advertencias presentes en esta documentación y en el producto.

6.1 Ejecución de la operación de tronzado/corte 3



ADVERTENCIA

Riesgo de lesiones Peligro de lesiones graves durante la operación de corte.

- ▶ Durante la operación de corte, asegúrese siempre de que se deja una distancia suficiente entre el cabezal de corte y la mano / el dedo.



Para realizar trabajos de tronzado o corte en zonas estrechas o desfavorables, el cabezal de corte puede girarse 350° alrededor del eje longitudinal.



El aceite hidráulico puede espesarse en condiciones de frío y ralentizar la operación de prensado. Realice de 5 a 10 operaciones de prensado en vacío para calentar la prensadora.

1. Gire el cabezal de corte a la posición de trabajo deseada.
2. Introduzca el cable que se desea cortar en el cabezal de corte o guíe el cabezal por encima del cable.



Introduzca siempre por completo el cable que se desea cortar en el cabezal de corte.

No sobrepase la capacidad de corte máxima.

No corte ningún cable que no pueda introducir por completo en el cabezal de corte.

3. Accione el conmutador de control.
4. Mantenga el conmutador de control pulsado hasta que se descargue la presión de la cortadora (se oye claramente un «pop»).

 - ▶ Una vez realizado el corte correctamente, el producto vuelve a la posición inicial de forma automática.

6.2 Ejecutar la operación de tronzado/corte (cable conectado) 4

1. Extraiga el pasador de seguridad.
2. Pliegue el cabezal de corte hacia arriba.
3. Lubrique la articulación del cabezal de corte y las guías del pasador de seguridad.
4. Coloque la herramienta alrededor del cable que desea cortar y pliegue el cabezal de corte hacia arriba.



No sobrepase la capacidad de corte máxima.

No corte ningún cable que no pueda introducir por completo en el cabezal de corte.

5. Bloquee el cabezal de corte con el pasador de seguridad.

 - ▶ Un clic mecánico confirma el bloqueo correcto.

6. Accione el conmutador de control.
7. Mantenga pulsado el conmutador de control hasta que se descargue la presión de la cortadora.

 - ▶ Una vez realizado el corte correctamente, el producto vuelve a la posición inicial de forma automática.



7 Cuidado y mantenimiento

ADVERTENCIA

Riesgo de lesiones con la batería colocada !

- ▶ Extraiga siempre la batería antes de llevar a cabo tareas de cuidado y mantenimiento.

Cuidado del producto

- Elimine con precaución la suciedad fuertemente adherida.
- Las rejillas de ventilación, si las hay, deben limpiarse con cuidadosamente con un cepillo seco y suave.
- Limpie la carcasa solo con un paño ligeramente humedecido. No utilice productos de limpieza que contengan silicona, ya que podrían dañar las piezas de plástico.
- Utilice un paño limpio y seco para limpiar los contactos del producto.

Cuidado de las baterías de Ion-Litio

- No utilice nunca una batería con las rejillas de ventilación obstruidas. Limpie cuidadosamente las rejillas de ventilación con un cepillo seco y suave.
- Evite la exposición innecesaria de la batería al polvo o la suciedad. No esponga nunca la batería a altos niveles de humedad (por ejemplo, sumergiéndola en agua o dejándola bajo la lluvia). Si penetra agua en la batería, trátela como una batería dañada. Aíslela en un recipiente no inflamable y póngase en contacto con el Servicio Técnico de **Hilti**.
- Mantenga la batería limpia de aceite o grasa. No permita la acumulación innecesaria de polvo o suciedad en la batería. Limpie la batería con un cepillo seco y suave o con un paño limpio y seco. No utilice productos de limpieza que contengan silicona, ya que podrían dañar las piezas de plástico. No toque los contactos de la batería y no elimine de los contactos la grasa aplicada de fábrica.
- Limpie la carcasa solo con un paño ligeramente humedecido. No utilice productos de limpieza que contengan silicona, ya que podrían afectar a las piezas de plástico.

Mantenimiento

- Compruebe con regularidad que las piezas visibles no estén dañadas y los elementos de manejo funcionen correctamente.
- No utilice el producto si presenta daños o fallos que afecten al funcionamiento. Encargue inmediatamente la reparación del producto al Servicio Técnico de **Hilti**.
- Tras las tareas de cuidado y mantenimiento, coloque todos los dispositivos de protección y asegúrese de que funcionen correctamente.



Para garantizar un correcto funcionamiento, utilice exclusivamente piezas de repuesto y consumibles originales. Las piezas de repuesto, los consumibles y los accesorios autorizados por **Hilti** se pueden consultar en su **Hilti Store** o en: www.hilti.group

8 Transporte y almacenamiento de las baterías y sus herramientas

Transporte

PRECAUCIÓN

Arranque involuntario en el transporte !

- ▶ Transporte sus productos siempre sin batería.
- ▶ Extraiga la(s) batería(s).
- ▶ Nunca transporte las baterías sin embalaje. Durante el transporte, las baterías deben estar protegidas frente a vibraciones y golpes excesivos y aisladas de todo material conductor y de otras baterías para que no entren en contacto con los polos de otras baterías y causen un cortocircuito. **Tenga en cuenta las normativas locales sobre el transporte de baterías.**
- ▶ Las baterías no deben enviarse por correo. Diríjase a una empresa de transporte si quiere enviar baterías no dañadas.
- ▶ Compruebe si el producto o las baterías están dañados antes de cada uso y antes y después de un transporte prolongado.

Almacenamiento

ADVERTENCIA

Daños imprevistos debido a una batería defectuosa o agotada !

- ▶ Guarde su productos siempre sin batería.



- ▶ Guarde el producto y las baterías en un lugar fresco y seco. Tenga en cuenta los valores límite de temperatura que figuran en los datos técnicos.
- ▶ No almacene las baterías en el cargador. Extraiga siempre la batería del cargador después del proceso de carga.
- ▶ No guarde nunca las baterías en un lugar expuesto al sol, a fuentes de calor o detrás de un cristal.
- ▶ Guarde el producto y las baterías fuera del alcance de niños y personas no autorizadas.
- ▶ Compruebe si el producto o las baterías están dañados antes de cada uso y antes y después de un almacenamiento prolongado.

9 Ayuda en caso de averías

Si se producen averías que no estén incluidas en esta tabla o que no pueda solucionar usted, diríjase al Servicio Técnico de **Hilti**.

9.1 La cortadora no está lista para funcionar

Anomalía	Posible causa	Solución
Los LED de la batería no indican nada.	La batería no se ha insertado completamente.	▶ Encaje la batería hasta que note un doble clic.
	La batería está descargada.	▶ Cambie la batería y recargue la batería vacía.
	La batería está demasiado caliente o fría.	▶ Deje enfriar la batería o espere a que alcance la temperatura de la estancia.
Parpadea 1 LED de la batería.	La batería está descargada.	▶ Cambie la batería y recargue la batería vacía.
	La batería está demasiado caliente o fría.	▶ Deje enfriar la batería o espere a que alcance la temperatura de la estancia.
Parpadean los 4 LED de la batería.	Producto brevemente sobrecargado.	▶ Deje enfriar el producto.
LED rojo => encendido permanentemente con tono de advertencia.	Problema técnico.	▶ Posible aplicación incorrecta. Póngase en contacto con el Servicio Técnico de Hilti .
LED rojo => parpadeo corto con tono de advertencia.	El estado de carga de la batería es demasiado bajo para realizar una aplicación completa.	▶ Cambie la batería y recargue la batería vacía.
LED rojo => se ilumina brevemente sin tono de advertencia.	Producto sobrecalentado.	▶ Deje enfriar el producto.

9.2 La cortadora está lista para funcionar

Anomalía	Posible causa	Solución
La batería se descarga con mayor rapidez que de costumbre.	Temperatura ambiente demasiado baja.	▶ Deje que la batería se caliente poco a poco hasta alcanzar la temperatura ambiente.
La batería no encaja con un doble clic audible.	Suciedad en las lengüetas de la batería.	▶ Limpie las lengüetas y vuelva a colocar la batería.
LED rojo => encendido permanentemente con tono de advertencia.	Problema técnico.	▶ Posible aplicación incorrecta. Póngase en contacto con el Servicio Técnico de Hilti .



10 Reciclaje

ADVERTENCIA

Riesgo de lesiones por un reciclaje indebido. Riesgo para la salud debido a escapes de gases o líquidos.

- ▶ No envíe baterías dañadas bajo ningún concepto.
- ▶ Cubra las conexiones con un material no conductor para evitar cortocircuitos.
- ▶ Deshágase de las baterías de tal forma que no terminen en manos de niños.
- ▶ Elimine la batería en su **Hilti Store** o diríjase a su empresa de desechos.

Los productos **Hilti** están fabricados en su mayor parte con materiales reutilizables. La condición para dicha reutilización es una separación adecuada de los materiales. En muchos países, **Hilti** recoge las herramientas usadas para su recuperación. Pregunte al Servicio de Atención al Cliente de **Hilti** o a su asesor de ventas.



- ▶ No deseche las herramientas eléctricas, los aparatos eléctricos ni las baterías junto con los residuos domésticos.

11 Indicación FCC (válida en EE. UU.) / indicación IC (válida en Canada)

Esta herramienta está sujeta al artículo 15 de las disposiciones FCC y al RSS-210 de la indicación IC. La puesta en servicio está sujeta a las dos condiciones siguientes:

1. Esta herramienta no debe generar ninguna radiación nociva para la salud.
2. La herramienta debe absorber cualquier tipo de radiación, incluso las provocadas por operaciones no deseadas.

12 Garantía del fabricante

- ▶ Si tiene alguna consulta acerca de las condiciones de la garantía, póngase en contacto con su sucursal local de **Hilti**.

Manual de instruções original

1 Indicações sobre a documentação

1.1 Sobre esta documentação

- Antes da colocação em funcionamento, leia esta documentação. Esta é a condição para um trabalho seguro e um manuseamento sem problemas.
- Tenha em atenção as instruções de segurança e as advertências nesta documentação e no produto.
- Guarde o manual de instruções sempre junto do produto e entregue-o a outras pessoas apenas juntamente com este manual.

1.2 Explicação dos símbolos

1.2.1 Advertências

As advertências alertam para perigos durante a utilização do produto. São utilizadas as seguintes palavras de aviso:

PERIGO

PERIGO !

- ▶ Indica perigo iminente que pode originar acidentes pessoais graves ou até mesmo fatais.

AVISO

AVISO !

- ▶ Indica um possível perigo que pode causar graves ferimentos pessoais, até mesmo fatais.



⚠ CUIDADO

CUIDADO !

► Indica uma situação potencialmente perigosa que pode originar ferimentos corporais ou danos materiais.

1.2.2 Símbolos no manual de instruções

Neste manual de instruções são utilizados os seguintes símbolos:

	Consultar o manual de instruções
	Instruções de utilização e outras informações úteis
	Manuseamento com materiais recicláveis
	Não deitar as ferramentas eléctricas e baterias no lixo doméstico
	Bateria de iões de lítio Hilti
	Carregador Hilti

1.2.3 Símbolos nas figuras

Em figuras são utilizados os seguintes símbolos:

2	Estes números remetem para a figura respectiva no início do presente manual de instruções.
3	A numeração reproduz uma sequência dos passos de trabalho na imagem e pode divergir dos passos de trabalho no texto.
11	Na figura Vista geral são utilizados números de posição que fazem referência aos números da legenda na secção Vista geral do produto .
	Este símbolo pretende despertar a sua atenção durante o manuseamento do produto.

1.3 Símbolos no aparelho

1.3.1 Símbolos

No produto podem ser utilizados os seguintes símbolos:

	Perigo de corte!
	Usar óculos de protecção!
	Corrente contínua
	A ferramenta suporta a tecnologia NFC que é compatível com plataformas iOS e Android.
Li-Ion	Bateria de iões de lítio
	Série utilizada da bateria de iões de lítio Hilti . Tenha em atenção as indicações no capítulo Utilização conforme a finalidade projectada .
	Nunca utilize a bateria como ferramenta de percussão.
	Não deixe cair a bateria. Não utilize baterias que tenham recebido uma pancada ou que estejam, de outra forma, danificadas.

1.4 Dados informativos sobre o produto

Os produtos destinam-se ao utilizador profissional e só podem ser operados, mantidos e reparados por pessoal autorizado, devidamente qualificado. Estas pessoas deverão estar informadas em particular sobre os potenciais perigos. O produto e seu equipamento auxiliar podem representar perigo se



usados incorrectamente por pessoas não qualificadas ou se usados para fins diferentes daqueles para os quais foram concebidos.

A designação e o número de série são indicados na placa de características.

- ▶ Registe o número de série na tabela seguinte. Precisa dos dados do produto para colocar questões ao nosso representante ou posto de serviço de atendimento aos clientes.

Dados do produto

Ferramenta de corte	NCT IS 045-A22
Geração	01
N.º de série	

2 Segurança

2.1 Normas de segurança gerais para ferramentas eléctricas

⚠ AVISO Leia todas as normas de segurança, instruções, imagens e dados técnicos, com os quais esta ferramenta eléctrica está equipada. O não cumprimento das instruções a seguir pode resultar em choque eléctrico, incêndio e/ou ferimentos graves.

Guarde bem todas as normas de segurança e instruções para futura referência.

O termo "ferramenta eléctrica" utilizado nas normas de segurança refere-se a ferramentas com ligação à corrente eléctrica (com cabo de alimentação) ou a ferramentas a bateria (sem cabo).

Segurança no posto de trabalho

- ▶ **Mantenha a sua área de trabalho limpa e bem iluminada.** Locais desarrumados ou mal iluminados podem ocasionar acidentes.
- ▶ **Não utilize a ferramenta eléctrica em ambientes explosivos ou na proximidade de líquidos ou gases inflamáveis.** Ferramentas eléctricas produzem faíscas que podem provocar a ignição de pó e vapores.
- ▶ **Mantenha crianças e terceiros afastados durante os trabalhos.** Distracções podem conduzir à perda de controlo sobre a ferramenta.

Segurança eléctrica

- ▶ **A ficha da ferramenta eléctrica deve servir na tomada. A ficha não deve ser modificada de modo algum. Não utilize quaisquer adaptadores com ferramentas eléctricas com ligação terra.** Fichas originais (não modificadas) e tomadas adequadas reduzem o risco de choque eléctrico.
- ▶ **Evite o contacto do corpo com superfícies ligadas à terra, como, por exemplo, canos, radiadores, fogões e frigoríficos.** Existe um risco elevado de choque eléctrico se o corpo estiver com ligação à terra.
- ▶ **As ferramentas eléctricas não devem ser expostas à chuva nem à humidade.** A infiltração de água numa ferramenta eléctrica aumenta o risco de choque eléctrico.
- ▶ **Não use o cabo de ligação para transportar, pendurar ou desligar a ferramenta eléctrica da tomada. Mantenha o cabo de ligação afastado de calor, óleo, arestas vivas ou partes em movimento.** Cabos de ligação danificados ou emaranhados aumentam o risco de choque eléctrico.
- ▶ **Quando operar uma ferramenta eléctrica ao ar livre, utilize apenas cabos de extensão próprios para utilização no exterior.** A utilização de um cabo de extensão próprio para utilização no exterior reduz o risco de choques eléctricos.
- ▶ **Utilize um disjuntor diferencial se não puder ser evitada a utilização da ferramenta eléctrica em ambiente húmido.** A utilização de um disjuntor diferencial reduz o risco de choque eléctrico.

Segurança física

- ▶ **Esteja alerta, observe o que está a fazer, e tenha prudência ao trabalhar com uma ferramenta eléctrica. Se estiver cansado ou sob influência de drogas, álcool ou medicamentos não efectue nenhum trabalho com ferramentas eléctricas.** Um momento de distração ao operar a ferramenta eléctrica pode causar ferimentos graves.
- ▶ **Use equipamento de segurança. Use sempre óculos de protecção.** Equipamento de segurança, como, por exemplo, máscara antipoeiras, sapatos de segurança antiderrapantes, capacete de segurança ou protecção auricular, de acordo com o tipo e aplicação da ferramenta eléctrica, reduzem o risco de lesões.
- ▶ **Evite um arranque involuntário. Assegure-se de que a ferramenta eléctrica está desligada antes de a ligar à fonte de alimentação e/ou à bateria, pegar nela ou a transportar.** Transportar a ferramenta eléctrica com o dedo no interruptor ou ligar uma ferramenta à tomada com o interruptor ligado (ON) pode resultar em acidentes.



- ▶ **Remova quaisquer chaves de ajuste (chaves de fenda), antes de ligar a ferramenta eléctrica.** Um acessório ou chave deixado preso numa parte rotativa da ferramenta pode causar ferimentos.
- ▶ **Evite posturas corporais desfavoráveis. Mantenha sempre uma posição correcta, em perfeito equilíbrio.** Desta forma será mais fácil manter o controlo sobre a ferramenta eléctrica em situações inesperadas.
- ▶ **Use roupa apropriada. Não use roupa larga ou jóias. Mantenha o cabelo, vestuário e luvas afastados das peças móveis.** Roupas largas, jóias ou cabelos compridos podem ficar presos nas peças móveis.
- ▶ **Se poderem ser montados sistemas de remoção e de recolha de pó, assegure-se de que estes estão ligados e são utilizados correctamente.** A utilização de um sistema de remoção de pó pode reduzir os perigos relacionados com a exposição ao mesmo.
- ▶ **Não se acomode numa falsa sensação de segurança e não ignore os regulamentos de segurança para ferramentas eléctricas, mesmo se estiver familiarizado com a ferramenta eléctrica após numerosas utilizações.** Agir de forma descuidada pode causar ferimentos graves dentro duma fracção de segundo.

Utilização e manuseamento da ferramenta eléctrica

- ▶ **Não sobrecarregue a ferramenta. Use para o seu trabalho a ferramenta eléctrica correcta.** Com a ferramenta eléctrica adequada obterá maior eficiência e segurança se respeitar os seus limites.
- ▶ **Não utilize a ferramenta eléctrica se o interruptor estiver defeituoso.** Uma ferramenta eléctrica que já não possa ser accionada pelo interruptor é perigosa e deve ser reparada.
- ▶ **Retire a ficha da tomada e/ou remova uma bateria amovível antes de efectuar ajustes na ferramenta, substituir acessórios ou guardar a ferramenta.** Esta medida preventiva evita o accionamento accidental da ferramenta eléctrica.
- ▶ **Guarde ferramentas eléctricas não utilizadas fora do alcance das crianças. Não permita que a ferramenta seja utilizada por pessoas não familiarizadas com a mesma ou que não tenham lido estas instruções.** Ferramentas eléctricas operadas por pessoas não treinadas são perigosas.
- ▶ **Faça uma manutenção regular de ferramentas eléctricas e acessórios. Verifique se as partes móveis funcionam perfeitamente e não emperram ou se há peças quebradas ou danificadas que possam influenciar o funcionamento da ferramenta eléctrica. Peças danificadas devem ser reparadas antes da utilização da ferramenta.** Muitos acidentes são causados por ferramentas eléctricas com manutenção deficiente.
- ▶ **Mantenha as ferramentas de corte sempre afiadas e limpas.** Acessórios com gumes afiados tratados correctamente emperram menos e são mais fáceis de controlar.
- ▶ **Utilize a ferramenta eléctrica, acessórios, bits, etc., de acordo com estas instruções. Tome também em consideração as condições de trabalho e o trabalho a ser efectuado.** A utilização da ferramenta eléctrica para outros fins além dos previstos, pode ocasionar situações de perigo.
- ▶ **Mantenha punhos e respectivas superfícies secos, limpos e isentos de óleo e gordura.** Punhos e superfícies afins escorregadios não permitem um manuseamento e controlo seguro da ferramenta eléctrica em situações imprevisíveis.

Utilização e manuseamento da ferramenta a bateria

- ▶ **Apenas deverá carregar as baterias em carregadores recomendados pelo fabricante.** Num carregador adequado para um determinado tipo de baterias existe perigo de incêndio se for utilizado para outras baterias.
- ▶ **Nas ferramentas eléctricas utilize apenas as baterias previstas.** A utilização de outras baterias pode causar ferimentos e riscos de incêndio.
- ▶ **Quando a bateria não estiver em uso, mantenha-a afastada de outros objectos de metal, como, por exemplo, cliques, moedas, chaves, pregos, parafusos, ou outros pequenos objectos metálicos que possam ligar em ponte os contactos.** Um curto-circuito entre os contactos da bateria pode causar queimaduras ou incêndio.
- ▶ **Utilizações inadequadas podem provocar derrame do líquido da bateria. Evite o contacto com este líquido. No caso de contacto accidental, enxágue imediatamente com água. Se o líquido entrar em contacto com os olhos, procure auxílio médico.** O líquido que escorre da bateria pode provocar irritações ou queimaduras da pele.
- ▶ **Não utilize uma bateria danificada ou modificada.** Baterias danificadas ou modificadas podem ter um comportamento imprevisível e causar fogo, explosão ou risco de ferimentos.
- ▶ **Não exponha uma bateria ao fogo ou a temperaturas excessivas.** Fogo e temperaturas superiores a 130 °C (265 °F) podem provocar uma explosão.
- ▶ **Cumpra todas as instruções sobre o carregamento e nunca carregue a bateria ou a ferramenta a bateria fora da faixa de temperaturas indicada no manual de instruções.** O carregamento errado ou fora da faixa de temperaturas permitida pode destruir a bateria e aumentar o risco de incêndio.



Manutenção

- ▶ **A sua ferramenta eléctrica só deve ser reparada por pessoal qualificado e só devem ser utilizadas peças sobressalentes originais.** Isto assegurará que a segurança da ferramenta se mantenha.
- ▶ **Nunca faça a manutenção de baterias danificadas.** Qualquer manutenção de baterias só deverá ser realizada pelo fabricante ou serviços de assistência técnica autorizados.

2.2 Normas de segurança adicionais para a ferramenta de corte

Segurança física

- ▶ Utilize o produto somente se estiver em perfeitas condições técnicas.
- ▶ Nunca manipule ou altere o aparelho.

Segurança eléctrica

- ▶ Antes de utilizar o aparelho é necessário desligar da tensão todas as peças activas, ou seja, que conduzam corrente, no local de trabalho do operador. Se isso não for possível é necessário tomar as respectivas medidas de protecção, para poder efectuar trabalhos nas proximidades de peças sob tensão.
- ▶ Não separe/corte cabos/fios sob tensão. O aparelho não é considerado como estando isolado e, por conseguinte, tem de ser utilizado juntamente com o equipamento de protecção individual (luvas de protecção, calçado de protecção, vestuário de protecção, etc.), que seja adequado para o proteger a si e pessoas que se encontrem nas proximidades. É possível a utilização do aparelho em plataformas isoladas.

Utilização e manutenção de ferramentas eléctricas

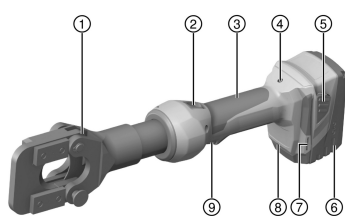
- ▶ Após aproximadamente 100 trabalhos de separação/corte sucessivas, desligue a ferramenta eléctrica e deixe-a arrefecer durante aprox. 15 minutos. O sobreaquecimento pode dar origem a danos no aparelho.

2.3 Utilização e manutenção de baterias

- ▶ Observe as regras específicas sobre transporte, armazenamento e utilização de baterias de íões de lítio.
- ▶ Mantenha as baterias afastadas de temperaturas elevadas, radiação solar directa e fogo.
- ▶ As baterias não devem ser desmanteladas, esmagadas, aquecidas acima dos 80 °C (176 °F) ou incineradas.
- ▶ Não utilize ou carregue quaisquer baterias que tenham sofrido golpes, tenham caído de altura superior a um metro ou tenham sido danificadas de outra forma. Neste caso, contacte sempre o seu **Centro de Assistência Técnica Hilti**.
- ▶ Se a bateria estiver demasiado quente ao toque, poderá estar com defeito. Coloque a bateria num local com boa visibilidade que não constitua risco de incêndio, suficientemente afastado de materiais inflamáveis. Deixe a bateria arrefecer. Se, passado uma hora, a bateria ainda estiver demasiado quente ao toque, então está com defeito. Contacte o **Centro de Assistência Técnica Hilti**.

3 Descrição

3.1 Vista geral do produto



- ① Cabeça de corte
- ② Interruptor de reposição para retorno manual
- ③ Carcaça
- ④ Indicador de manutenção e de erro (LED vermelho)
- ⑤ Destroamento para a bateria
- ⑥ Bateria
- ⑦ Fenda de ambos os lados, para fixar o dispositivo de segurança da **Hilti**
- ⑧ LED branco para iluminar a área de trabalho
- ⑨ Interruptor on/off

3.2 Utilização correcta

O produto descrito é uma ferramenta de corte electro-hidráulica alimentado a bateria. Serve para separar/cortar cabos de cobre (Cu), alumínio (Al) e aço (p. ex., ACSR).



Antes de iniciar o trabalho é necessário desligar da tensão todas as peças activas, ou seja, que conduzam corrente, no local de trabalho do operador. Se isso não for possível é necessário tomar as respectivas medidas de protecção, para poder efectuar trabalhos nas proximidades de peças sob tensão.

- ▶ Para este produto, utilize apenas as baterias de iões de lítio **Hilti** da série B 22.
- ▶ Para estas baterias, utilize apenas os carregadores **Hilti** da série C4/36.

3.3 Possível uso incorrecto

- O produto manual não pode ser fixado e utilizado para a aplicação fixa.
- O produto não pode ser utilizado em caso de chuva intensa ou na água.

3.4 Indicador do estado de carga

O estado de carga da bateria de iões de lítio é exibido depois de pressionado o botão de destravamento da bateria.

Estado	Significado
4 LEDs acendem.	Estado de carga: 75% a 100%
3 LEDs acendem.	Estado de carga: 50% a 75%
2 LEDs acendem.	Estado de carga: 25% a 50%
1 LED acende.	Estado de carga: 10% a 25%
1 LED pisca, a ferramenta está pronta a funcionar.	Estado de carga: < 10%



Com o interruptor on/off accionado não é possível a consulta do estado de carga.

3.5 Incluído no fornecimento

Ferramenta de corte, manual de Instruções



Poderá encontrar outros produtos de sistema aprovados para o seu produto na sua **Hilti Store** ou em: www.hilti.group

4 Características técnicas

Tensão nominal	21,6 V
Peso segundo EPTA Procedure 01	4,0 kg
máx. diâmetro do cabo	45 mm
máx. capacidade de corte para cabo de alumínio reforçado com aço (ACSR): 1590 MCM (Falcon)	44,4 mm (1 3/4 in)
máx. capacidade de corte para cabo de aço (Standard)/ Guy Wire (Standard)	15,9 mm (5/8 in)
máx. capacidade de corte para cabo de aço (EHS)/Guy Wire (EHS)	13 mm (1/2 in)
máx. capacidade de corte para varões nervurados	13 mm (1/2 in)
Temperatura de armazenagem	-20 °C ... 70 °C (-4 °F ... 158 °F)
Temperatura ambiente durante o funcionamento	-17 °C ... 60 °C (1 °F ... 140 °F)

4.1 Bateria

Tensão de serviço da bateria	21,6 V
Temperatura ambiente durante o funcionamento	-17 °C ... 60 °C (1 °F ... 140 °F)



Temperatura de armazenagem	-20 °C ... 40 °C (-4 °F ... 104 °F)
Temperatura da bateria no início do carregamento	-10 °C ... 45 °C (14 °F ... 113 °F)
Peso (B22/2.6 (02))	0,5 kg (1,1 lb)
Peso (B22/3.0 (01))	0,6 kg (1,3 lb)
Peso (B22/4.0 (01))	0,7 kg (1,5 lb)
Peso (B22/5.2 (01))	0,8 kg (1,8 lb)
Peso (B22/8.0 (01))	1,1 kg (2,4 lb)

5 Preparação do local de trabalho

AVISO

Risco de ferimentos devido a arranque involuntário!

- ▶ Antes de encaixar a bateria, certifique-se de que o produto correspondente está desligado.
- ▶ Remova a bateria, antes de efectuar ajustes na ferramenta ou substituir acessórios.

Tenha em atenção as instruções de segurança e as advertências nesta documentação e no produto.

5.1 Carregar a bateria

1. Antes de carregar, leia o manual de instruções do carregador.
2. Certifique-se de que os contactos da bateria e do carregador estão limpos e secos.
3. Carregue a bateria num carregador aprovado. → Página 35

5.2 Colocar a bateria

AVISO

Risco de ferimentos devido a curto-circuito ou queda da bateria!

- ▶ Antes de encaixar a bateria, certifique-se de que os contactos da bateria e os contactos no produto estão livres de corpos estranhos.
- ▶ Certifique-se de que a bateria engata sempre correctamente.

1. A bateria deve ser completamente carregada antes da primeira utilização.
2. Introduza a bateria no produto até engatar de forma audível.
3. Verifique se a bateria está correctamente encaixada.

5.3 Retirar a bateria

1. Pressione os botões de destravamento da bateria.
2. Puxe a bateria para fora da ferramenta.

5.4 Montar o dispositivo de segurança da Hilti (opcional)

ATENÇÃO

Danificação do produto e/ou da corda de segurança. Através de manuseamento inadequado poderá ocorrer uma danificação do produto e/ou da corda de segurança.

- ▶ Não utilize correntes metálicas como corda de segurança. Não utilize cordas de segurança com um comprimento superior a 6 pés (2 m).



i Para evitar danos recomenda-se a utilização do dispositivo de segurança da Hilti ao efectuar trabalhos em posição elevada.

O dispositivo de segurança permite a fixação de cabos de fixação/cintas de fixação.

Enquanto estiver a trabalhar com o produto deve respeitar as directivas nacionais relativamente a trabalhos em posição elevada.

1. Retire a bateria.
2. Insira as duas patilhas do dispositivo de segurança nas ranhuras existentes de ambos os lados do pé do aparelho.
3. Fixe o dispositivo de segurança com os respectivos parafusos.
4. Volte a colocar a bateria.

5.5 Desmontar o dispositivo de segurança da Hilti (opcional)

1. Retire a bateria.
2. Desaperte os parafusos do dispositivo de segurança.
3. Puxe as duas patilhas do dispositivo de segurança para fora das fendas no pé do aparelho e retire o dispositivo de segurança.
4. Volte a colocar a bateria.

6 Utilização

Tenha em atenção as instruções de segurança e as advertências nesta documentação e no produto.

6.1 Efectuar trabalho de separação/corte

AVISO

Risco de ferimentos! Perigo de ferimentos graves durante o trabalho de separação.

- ▶ Durante o trabalho de separação, certifique-se de que existe uma distância suficiente entre a cabeça de corte e a mão/dedos.

i Para trabalhos de separação/corte em áreas de trabalho estreitas ou desfavoráveis é possível rodar a cabeça de corte 350° em torno do eixo longitudinal.

i O óleo hidráulico pode espessar em condições meteorológicas frias e tornar o processo de aperto mais lento. Realize 5 a 10 processos de aperto em vazio, de modo a aquecer o aparelho de aperto.

1. Rode a cabeça de corte para a posição de trabalho pretendida.
2. Coloque o cabo a separar na cabeça de corte ou faça deslizar a cabeça de corte sobre o cabo a separar.

i Insira o cabo a separar sempre por completo na cabeça de corte.

Não ultrapasse a máxima capacidade de corte.

Não corte nenhum cabo que não se deixe inserir por completo na cabeça de corte.

3. Accione o interruptor on/off.
4. Mantenha o interruptor on/off pressionado até que ocorra o alívio de pressão da ferramenta de corte, isso será acompanhado de um "Pop" claramente audível.
 - ▶ Depois de efectuada a separação, o produto desloca-se automaticamente de volta para a posição inicial.

6.2 Efectuar trabalho de separação/corte (cabo conectado)

1. Retire o perno de segurança.
2. Dobre a cabeça de corte para cima.
3. Lubrifique a articulação da cabeça de corte e as guias do perno de segurança.



4. Coloque a ferramenta em torno do cabo a cortar e dobre a cabeça de corte para baixo.



Não ultrapasse a máxima capacidade de corte.

Não corte nenhum cabo que não se deixe inserir por completo na cabeça de corte.

5. Bloquee a cabeça de corte com o perno de segurança.
 - ▶ Um clique mecânico confirma o bloqueio correto.
6. Accione o interruptor on/off.
7. Mantenha o interruptor on/off pressionado até que ocorra o alívio de pressão da ferramenta de corte.
 - ▶ Depois de efectuada a separação, o produto desloca-se automaticamente de volta para a posição inicial.

7 Conservação e manutenção



AVISO

Risco de lesão com a bateria encaixada !

- ▶ Retire sempre a bateria antes de todos os trabalhos de conservação e manutenção!

Conservação do produto

- Remova sujidade persistente com cuidado.
- Se existente, limpe as saídas de ar cuidadosamente com uma escova seca e macia.
- Limpe a carcaça apenas com um pano ligeiramente húmido. Não utilize produtos de conservação que contenham silicone, uma vez que estes podem danificar os componentes de plástico.
- Utilize um pano limpo e seco, para limpar os contactos do produto.

Conservação das baterias de íões de lítio

- Nunca utilize uma bateria com as saídas de ar obstruídas. Limpe as saídas de ar cuidadosamente com uma escova seca e macia.
- Evite que a bateria seja exposta desnecessariamente a pó ou sujidade. Nunca exponha a bateria a humidade elevada (por ex., mergulhar em água ou deixar à chuva).
Se uma bateria tiver ficado encharcada, trate-a como uma bateria danificada. Isole-a num recipiente não inflamável e contacte o Centro de Assistência Técnica **Hilti**.
- Mantenha a bateria sem resíduos de óleo e massa consistente externos. Não permita que se acumule desnecessariamente pó ou sujidade sobre a bateria. Limpe a bateria com uma escova seca e macia ou um pano limpo e seco. Não utilize produtos de conservação que contenham silicone, uma vez que estes podem danificar os componentes de plástico.
Não toque nos contactos da bateria nem remova dos contactos a massa consistente aplicada de fábrica.
- Limpe a carcaça apenas com um pano ligeiramente húmido. Não utilize produtos de conservação que contenham silicone, uma vez que estes podem danificar os componentes de plástico.

Manutenção

- Verifique, regularmente, todos os componentes visíveis quanto a danos e os comandos operativos quanto a funcionamento perfeito.
- Não opere o produto se existirem danos e/ou perturbações de funcionamento. Mandar reparar o produto imediatamente no Centro de Assistência Técnica **Hilti**.
- Após os trabalhos de conservação e manutenção, aplique todos os dispositivos de protecção e verifique se funcionam correctamente.



Para um funcionamento seguro, utilize apenas peças sobresselentes e consumíveis originais. Poderá encontrar peças sobresselentes, consumíveis e acessórios aprovados pela **Hilti** para o seu produto na sua **Hilti Store** ou em: www.hilti.group

8 Transporte e armazenamento de ferramentas a bateria e baterias

Transporte



CUIDADO

Arranque inadvertido durante o transporte !

- ▶ Transporte os seus produtos sempre sem as baterias colocadas!
- ▶ Retire a/as bateria(s).



- ▶ Nunca transporte as baterias sem embalagem. Durante o transporte, as baterias devem ser protegidas contra impactos e vibrações excessivos e isoladas de quaisquer materiais condutores ou outras baterias, para que não entrem em contacto com os pólos de outras baterias e causem um curto-circuito. **Observe as suas normas de transporte locais para baterias.**
- ▶ As baterias não devem ser enviadas por correio. Quando pretender enviar baterias não danificadas, contacte uma empresa transportadora.
- ▶ Verifique o produto e as baterias quanto a danos antes de cada utilização, bem como antes e depois de longos períodos de transporte.

Armazenamento



AVISO

Dano acidental devido a baterias com defeito ou a perderem líquido !

- ▶ Armazene os seus produtos sempre sem as baterias colocadas!
- ▶ Guarde o produto e as baterias em lugar fresco e seco. Tenha em atenção os valores limite de temperatura, que estão indicados nas Características técnicas.
- ▶ Não guarde as baterias no carregador. Após o processo de carregamento, retire sempre a bateria do carregador.
- ▶ Nunca armazene as baterias em locais sujeitos a exposição solar, em cima de fontes de calor ou por trás de um vidro.
- ▶ Guarde o produto e as baterias fora do alcance das crianças e das pessoas não autorizadas.
- ▶ Verifique o produto e as baterias quanto a danos antes de cada utilização, bem como antes e depois de longos períodos de armazenamento.

9 Ajuda em caso de avarias

No caso de avarias que não sejam mencionadas nesta tabela ou se não conseguir resolvê-las por si mesmo, contacte o nosso Centro de Assistência Técnica **Hilti**.

9.1 A ferramenta de corte não está pronta a funcionar

Avaria	Causa possível	Solução
Os LEDs na bateria não indicam nada.	A bateria não está completamente encaixada.	▶ Encaixe a bateria com um duplo clique.
	Bateria descarregada.	▶ Substitua a bateria e carregue a bateria descarregada.
	Bateria demasiado quente ou demasiado fria.	▶ Deixe a bateria arrefecer ou coloque a bateria à temperatura ambiente.
1 LED na bateria pisca.	Bateria descarregada.	▶ Substitua a bateria e carregue a bateria descarregada.
	Bateria demasiado quente ou demasiado fria.	▶ Deixe a bateria arrefecer ou coloque a bateria à temperatura ambiente.
4 LEDs na bateria piscam.	Produto sobrecarregado por instantes.	▶ Deixe arrefecer o produto.
LED vermelho => aceso continuamente com som de aviso.	Problema técnico.	▶ Possibilidade de aplicação incorrecta! Contacte o Centro de Assistência Técnica Hilti .
LED vermelho => pisca brevemente com som de aviso.	O estado de carga da bateria é demasiado baixo para efectuar uma aplicação completa.	▶ Substitua a bateria e carregue a bateria descarregada.
LED vermelho => acende por instantes sem som de aviso.	Produto sobreaquecido.	▶ Deixe arrefecer o produto.



9.2 Ferramenta de corte está pronta a funcionar

Avaria	Causa possível	Solução
A bateria descarrega-se mais depressa do que habitualmente.	Temperatura ambiente muito baixa.	▶ Deixe a bateria aquecer lentamente até à temperatura ambiente.
A bateria não encaixa com duplo clique audível.	Sujidade nos encaixes da bateria.	▶ Limpe as patilhas de fixação e volte a encaixar a bateria.
LED vermelho => aceso continuamente com som de aviso.	Problema técnico.	▶ Possibilidade de aplicação incorrecta! Contacte o Centro de Assistência Técnica Hilti .

10 Reciclagem

AVISO

Perigo de ferimentos devido a eliminação incorrecta! Riscos para a saúde devido à fuga de gases ou líquidos.

- ▶ Não envie quaisquer baterias danificadas!
- ▶ Para evitar curto-circuitos, cubra as conexões com um material não condutor.
- ▶ Elimine as baterias de modo a mantê-las longe do alcance das crianças.
- ▶ Efectue a reciclagem da bateria na sua **Hilti Store** ou entre em contacto com a empresa de recolha de lixo responsável.

Os produtos **Hilti** são, em grande parte, fabricados com materiais recicláveis. Um pré-requisito para a reciclagem é que esses materiais sejam devidamente separados. Em muitos países, a **Hilti** aceita o seu aparelho usado para reaproveitamento. Para mais informações, dirija-se ao Serviço de Clientes **Hilti** ou ao seu vendedor.



- ▶ Não deite as ferramentas eléctricas, aparelhos electrónicos e baterias no lixo doméstico!

11 Declaração FCC / IC

Esta ferramenta está de acordo com a Parte 15 das regulamentações FCC e RSS-210 do IC. O funcionamento está sujeito às duas condições seguintes:

1. Esta ferramenta não pode causar interferências nocivas.
2. Esta ferramenta tem de aceitar interferências recebidas, mesmo aquelas que possam causar um funcionamento indesejado.

12 Garantia do fabricante

- ▶ Se tiver dúvidas em relação às condições de garantia, contacte o seu parceiro **Hilti** local.









Hilti Corporation
LI-9494 Schaan
Tel.:+423 234 21 11
Fax:+423 234 29 65
www.hilti.group



2258525