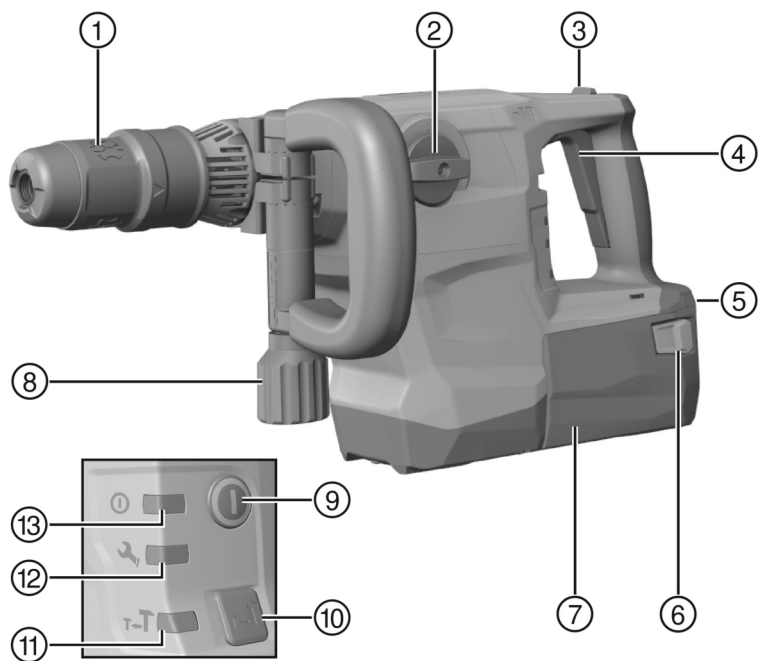


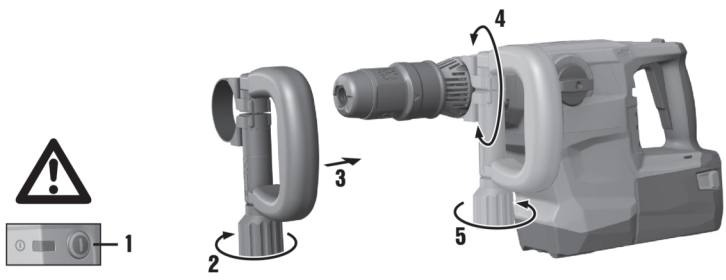


TE 500-A36

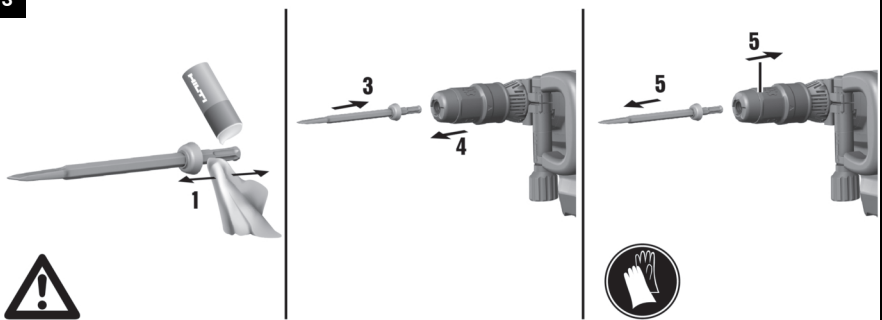
English	1
Dansk	12
Svenska	24
Norsk	35
Suomi	47
Eesti	58
Latviešu	70
Lietuvių	82
Türkçe	94
عربي	106
日本語	119
한국어	131
繁體中文	142
中文	152



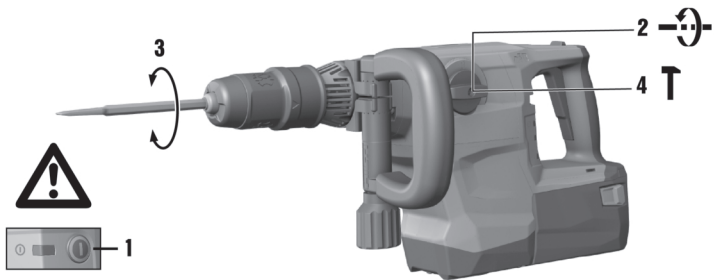
2



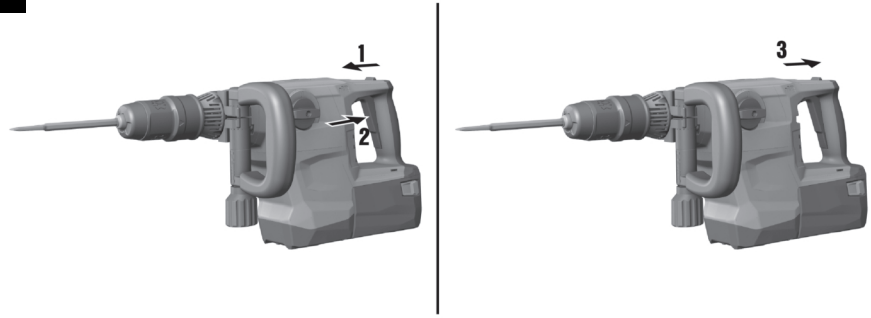
3



4



5



TE 500-A36

en	Original operating instructions	1
da	Original brugsanvisning	12
sv	Originalbruksanvisning	24
no	Original bruksanvisning	35
fi	Alkuperäiset ohjeet	47
et	Originaalkasutusjuhend	58
lv	Orģinālā lietošanas instrukcija	70
lt	Originali naudojimo instrukcija	82
tr	Orijinal kullanım kılavuzu	94
ar	دليل الاستعمال الأصلي	106
ja	オリジナル取扱説明書	119
ko	오리지널 사용 설명서	131
zh	原廠操作說明	142
cn	原版操作说明	152

Original operating instructions

1 Information about the operating instructions

1.1 About these operating instructions

- Read these operating instructions before the product is used or operated for the first time. This is a prerequisite for safe, trouble-free handling and use of the product.
- Observe the safety instructions and warnings in these operating instructions and on the product.
- Always keep the operating instructions with the product and make sure that the product is accompanied by these operating instructions only, when the product is given to other persons.

1.2 Explanation of symbols

1.2.1 Warnings

Warnings alert persons to hazards that occur when handling or using the product. The following signal words are used:

DANGER

DANGER !

- ▶ Draws attention to imminent danger that will lead to serious personal injury or fatality.

WARNING

WARNING !

- ▶ Draws attention to a potential threat of danger that can lead to serious injury or fatality.






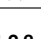
CAUTION

CAUTION !

- ▶ Draws attention to a potentially dangerous situation that could lead to personal injury or damage to the equipment or other property.




1.2.2 Symbols in the operating instructions

The following symbols are used in these operating instructions:

	Comply with the operating instructions
	Instructions for use and other useful information
	Dealing with recyclable materials
	Do not dispose of electric equipment and batteries as household waste
	Hilti Li-ion battery
	Hilti charger

1.2.3 Symbols in illustrations

The following symbols are used in illustrations:

	These numbers refer to the illustrations at the beginning of these operating instructions.
3	The numbers in illustrations refer to important work steps or to components important for the work steps. In the text, the corresponding numbers draw attention to these work steps or components, e.g. (3) .
	Item reference numbers are used in the overview illustration and refer to the numbers used in the key in the product overview section.
	This symbol is intended to draw your special attention to certain points for handling the product.



1.3 Product-dependent symbols

1.3.1 Symbols on the product

The following symbols can be used on the product:

	Chiseling
	Chisel positioning
	Service indicator
	Diameter
n_0	Rated speed under no load
/min	Revolutions per minute
	Direct current (DC)
	The product supports wireless data transmission compatible with iOS and Android platforms.
Li-Ion	Li-ion battery
	Hilti Li-ion battery type series used. Observe the information given in the section headed Intended use .
	Never use the battery as a striking tool.
	Do not drop the battery. Never use a battery that has suffered an impact or is damaged in any other way.

1.4 Switching on and off

Symbols

	Product is switched on
	Product is switched off

1.5 Product information

products are designed for professional users and only trained, authorized personnel are permitted to operate, service and maintain the products. This personnel must be specifically informed about the possible hazards. The product and its ancillary equipment can present hazards if used incorrectly by untrained personnel or if used not in accordance with the intended use.

The type designation and serial number are printed on the rating plate.

- ▶ Write down the serial number in the table below. You will be required to state the product details when contacting Hilti Service or your local Hilti organization to inquire about the product.

Product information

Breakers	TE 500-A36
Generation	04
Serial no.	

1.6 Declaration of conformity

We declare, on our sole responsibility, that the product described here complies with the applicable directives and standards. A copy of the declaration of conformity can be found at the end of this documentation.

The technical documentation is filed here:

Hilti Entwicklungsgesellschaft mbH | Tool Certification | Hiltistrasse 6 | 86916 Kaufering, Germany



2 Safety

2.1 General power tool safety warnings

⚠ WARNING Read all safety warnings, instructions, illustrations and specifications provided with this power tool. Failure to follow all instructions listed below may result in electric shock, fire and/or serious injury. **Save all warnings and instructions for future reference.**

The term "power tool" in the warnings refers to your mains-operated (corded) power tool or battery-operated (cordless) power tool.

Work area safety

- ▶ **Keep work area clean and well lit.** Cluttered or dark areas invite accidents.
- ▶ **Do not operate power tools in explosive atmospheres, such as in the presence of flammable liquids, gases or dust.** Power tools create sparks which may ignite the dust or fumes.
- ▶ **Keep children and bystanders away while operating a power tool.** Distractions can cause you to lose control.

Electrical safety

- ▶ **Power tool plugs must match the outlet. Never modify the plug in any way. Do not use any adapter plugs with earthed (grounded) power tools.** Unmodified plugs and matching outlets will reduce risk of electric shock.
- ▶ **Avoid body contact with earthed or grounded surfaces, such as pipes, radiators, ranges and refrigerators.** There is an increased risk of electric shock if your body is earthed or grounded.
- ▶ **Do not expose power tools to rain or wet conditions.** Water entering a power tool will increase the risk of electric shock.
- ▶ **Do not abuse the cord. Never use the cord for carrying, pulling or unplugging the power tool. Keep cord away from heat, oil, sharp edges or moving parts.** Damaged or entangled cords increase the risk of electric shock.
- ▶ **When operating a power tool outdoors, use an extension cord suitable for outdoor use.** Use of a cord suitable for outdoor use reduces the risk of electric shock.
- ▶ **If operating a power tool in a damp location is unavoidable, use a residual current device (RCD) protected supply.** Use of an RCD reduces the risk of electric shock.

Personal safety

- ▶ **Stay alert, watch what you are doing and use common sense when operating a power tool. Do not use a power tool while you are tired or under the influence of drugs, alcohol or medication.** A moment of inattention while operating power tools may result in serious personal injury.
- ▶ **Use personal protective equipment. Always wear eye protection.** Protective equipment such as a dust mask, non-skid safety shoes, hard hat or hearing protection used for appropriate conditions will reduce personal injuries.
- ▶ **Prevent unintentional starting. Ensure the switch is in the off-position before connecting to power source and/or battery pack, picking up or carrying the tool.** Carrying power tools with your finger on the switch or energising power tools that have the switch on invites accidents.
- ▶ **Remove any adjusting key or wrench before turning the power tool on.** A wrench or a key left attached to a rotating part of the power tool may result in personal injury.
- ▶ **Do not overreach. Keep proper footing and balance at all times.** This enables better control of the power tool in unexpected situations.
- ▶ **Dress properly. Do not wear loose clothing or jewellery. Keep your hair and clothing away from moving parts.** Loose clothes, jewellery or long hair can be caught in moving parts.
- ▶ **If devices are provided for the connection of dust extraction and collection facilities, ensure these are connected and properly used.** Use of dust collection can reduce dust-related hazards.
- ▶ **Do not let familiarity gained from frequent use of tools allow you to become complacent and ignore tool safety principles.** A careless action can cause severe injury within a fraction of a second.

Power tool use and care

- ▶ **Do not force the power tool. Use the correct power tool for your application.** The correct power tool will do the job better and safer at the rate for which it was designed.
- ▶ **Do not use the power tool if the switch does not turn it on and off.** Any power tool that cannot be controlled with the switch is dangerous and must be repaired.
- ▶ **Disconnect the plug from the power source and/or remove the battery pack, if detachable, from the power tool before making any adjustments, changing accessories, or storing power tools.** Such preventive safety measures reduce the risk of starting the power tool accidentally.



- ▶ **Store idle power tools out of the reach of children and do not allow persons unfamiliar with the power tool or these instructions to operate the power tool.** Power tools are dangerous in the hands of untrained users.
- ▶ **Maintain power tools and accessories. Check for misalignment or binding of moving parts, breakage of parts and any other condition that may affect the power tool's operation. If damaged, have the power tool repaired before use.** Many accidents are caused by poorly maintained power tools.
- ▶ **Keep cutting tools sharp and clean.** Properly maintained cutting tools with sharp cutting edges are less likely to bind and are easier to control.
- ▶ **Use the power tool, accessories and tool bits etc. in accordance with these instructions, taking into account the working conditions and the work to be performed.** Use of the power tool for operations different from those intended could result in a hazardous situation.
- ▶ **Keep handles and grasping surfaces dry, clean and free from oil and grease.** Slippery handles and grasping surfaces do not allow for safe handling and control of the tool in unexpected situations.

Battery tool use and care

- ▶ **Recharge only with the charger specified by the manufacturer.** A charger that is suitable for one type of battery pack may create a risk of fire when used with another battery pack.
- ▶ **Use power tools only with specifically designated battery packs.** Use of any other battery packs may create a risk of injury and fire.
- ▶ **When battery pack is not in use, keep it away from other metal objects, like paper clips, coins, keys, nails, screws or other small metal objects, that can make a connection from one terminal to another.** Shorting the battery terminals together may cause burns or a fire.
- ▶ **Under abusive conditions, liquid may be ejected from the battery; avoid contact. If contact accidentally occurs, flush with water. If liquid contacts eyes, additionally seek medical help.** Liquid ejected from the battery may cause irritation or burns.
- ▶ **Do not use a battery pack or tool that is damaged or modified.** Damaged or modified batteries may exhibit unpredictable behaviour resulting in fire, explosion or risk of injury.
- ▶ **Do not expose a battery pack or tool to fire or excessive temperature.** Exposure to fire or temperature above 130° C (265 °F) may cause explosion.
- ▶ **Follow all charging instructions and do not charge the battery pack or tool outside the temperature range specified in the instructions.** Charging improperly or at temperatures outside the specified range may damage the battery and increase the risk of fire.

Service

- ▶ **Have your power tool serviced by a qualified repair person using only identical replacement parts.** This will ensure that the safety of the power tool is maintained.
- ▶ **Never service damaged battery packs.** Service of battery packs should only be performed by the manufacturer or authorized service providers.

2.2 Hammer safety warnings

Safety instructions for all operations

- ▶ **Wear ear protectors.** Exposure to noise can cause hearing loss.
- ▶ **Use auxiliary handle(s), if supplied with the tool.** Loss of control can cause personal injury.
- ▶ **Hold the power tool by insulated gripping surfaces, when performing an operation where the cutting accessory may contact hidden wiring.** Cutting accessory contacting a "live" wire may make exposed metal parts of the power tool "live" and could give the operator an electric shock.

2.3 Additional safety instructions for breakers

Personal safety

- ▶ Use the product and accessories only when they are in perfect working order.
- ▶ Never tamper with or modify the product or accessories in any way.
- ▶ When chiseling into ceilings, walls and floors, always make sure that you have a safe and firm stance. A sudden break-through can affect your balance!
- ▶ Apply appropriate safety measures at the opposite side of the workpiece in work that involves breaking through. Parts breaking away could fall out and / or fall down causing injury to other persons.
- ▶ You and the other persons in the vicinity must wear suitable eye protection, a hard hat, ear protection, protective gloves and light respiratory protection while the product is in use.
- ▶ Wear protective gloves when changing the accessory tool. Touching the accessory tool can result in cuts and burns.



- ▶ Wear eye protection. Flying fragments can injure the body and eyes.
- ▶ Dust produced by grinding, sanding, cutting and drilling can contain dangerous chemicals. Some examples are: lead or lead-based paints; brick, concrete and other masonry products, natural stone and other products containing silicates; certain types of wood, such as oak, beech and chemically treated wood; asbestos or materials that contain asbestos. Determine the exposure of the operator and bystanders by means of the hazard classification of the materials to be worked. Implement the necessary measures to restrict exposure to a safe level, for example by the use of a dust collection system or by the wearing of suitable respiratory protection. The general measures for reducing exposure include:
 - ▶ working in an area that is well ventilated,
 - ▶ avoidance of prolonged contact with dust,
 - ▶ directing dust away from the face and body,
 - ▶ wearing protective clothing and washing exposed areas of the skin with water and soap.
- ▶ Take frequent breaks and do physical exercises to improve the blood circulation in your fingers. High vibration during long periods of work can lead to disorders of the blood vessels and nervous system in the fingers, hands and wrists.

Electrical safety

- ▶ Before beginning work, check the working area for concealed electric cables or gas and water pipes. External metal parts of the product could give you an electric shock or cause an explosion if you accidentally damage an electric cable or a gas or water pipe.

Power tool use and care

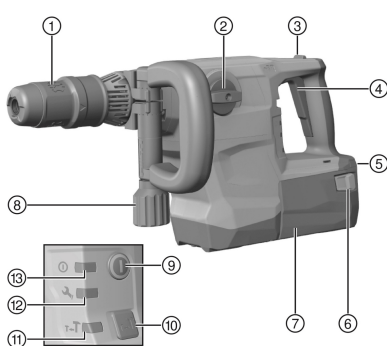
- ▶ Wait until the product has come to a complete stop before you lay it down.

2.4 Careful handling and use of batteries

- ▶ Observe the special guidelines applicable to the transport, storage and use of lithium-ion batteries.
- ▶ Do not expose batteries to high temperatures, direct sunlight or fire.
- ▶ Do not disassemble, crush or incinerate batteries and do not subject them to temperatures over 80 °C (176 °F).
- ▶ Do not use or charge batteries that have suffered mechanical impact, have been dropped from a height or show signs of damage. In this case, always contact your **Hilti Service**.
- ▶ If the battery is too hot to touch it may be defective. Put the battery in a place where it is clearly visible and where there is no risk of fire, at an adequate distance from flammable materials. Allow the battery to cool down. If it is still too hot to touch after an hour, the battery is faulty. Contact **Hilti Service**.

3 Description

3.1 Product overview 1



- ① Chuck
- ② Function selector switch
- ③ Lockbutton for sustained operation (chiseling only)
- ④ Control switch
- ⑤ Charge-status and fault indicator (Li-ion battery)
- ⑥ Release buttons (also used to activate the charge status indicator)
- ⑦ Battery
- ⑧ Side handle
- ⑨ On/off switch
- ⑩ Button for half power
- ⑪ Half-power indicator
- ⑫ Service indicator
- ⑬ ON/OFF indicator

3.2 Intended use

The product described is a cordless (battery-powered) breaker with pneumatic hammering mechanism. The product designed for light to medium chiseling work on masonry and surface finishing work on concrete.



- ▶ Use only **Hilti** Li-ion batteries from the B 36 series with this product.
- ▶ Use only the **Hilti** battery chargers from the C4/36 series for these batteries.

3.2.1 Possible misuse

- This product is not suitable for working on hazardous materials.
- This product is not suitable for working in a damp environment.

3.3 Active Vibration Reduction

The tool is equipped with an Active Vibration Reduction (AVR) system which reduces vibration noticeably.

3.4 Service indicator

The product is equipped with a service indicator LED.

3.4.1 MMI

Status	Meaning
The Service indicator lights up.	Servicing is due.
The Service indicator flashes.	Have the product repaired by Hilti Service.
The ON/OFF indicator lights up.	The product is switched on
The ON/OFF indicator flashes.	The product is switched off because of a transient fault.
The ON/OFF indicator is off.	The product is switched off.
The Half power indicator lights up.	The product is working at half power.
The Half power indicator is off.	The product is working at full power.

3.4.2 Lithium-ion battery status display

The Li-ion battery state of charge and malfunctions of the power tool are indicated by the display on the Li-ion battery. The Li-ion battery state of charge is displayed after pressing one of the two battery release buttons.

Status	Meaning
4 LEDs light.	State of charge: 75 % to 100 %
3 LEDs light.	State of charge: 50 % to 75 %
2 LEDs light.	State of charge: 25 % to 50 %
1 LED lights.	State of charge: 10 % to 25 %
1 LED blinks.	State of charge: < 10 %
1 LED flashes, the product is not in working order.	The battery has overheated or is completely discharged.
4 LEDs flash, the product is not in working order.	The power tool is overloaded or has overheated.

Battery state of charge cannot be displayed while the control switch is pressed and for up to 5 seconds after releasing the control switch.

If the battery display LEDs blink, please observe the instructions given in the Troubleshooting section.

3.5 Items supplied

Breaker, side handle, operating instructions.

Other system products approved for use with this product can be found at your local **Hilti Store** or at: www.hilti.group

4 Technical data

	TE 500-A36
Rated voltage	36 V
Weight in accordance with EPTA procedure 01	7.9 kg
Single impact energy in accordance with EPTA procedure 05	7.8 J



	TE 500-A36
Chuck	TE-Y
Storage temperature	-20 °C ... 70 °C
Ambient temperature for operation	-17 °C ... 60 °C

4.1 Noise information and vibration values in accordance with EN 62841

The sound pressure and vibration values given in these instructions were measured in accordance with a standardized test and can be used to compare one power tool with another. They can also be used for a preliminary assessment of exposure.

The data given represent the main applications of the power tool. However, if the power tool is used for different applications, with different accessory tools, or is poorly maintained, the data can vary. This can significantly increase exposure over the total working period.

An accurate estimation of exposure should also take into account the times when the power tool is switched off, or when it is running but not actually being used for a job. This can significantly reduce exposure over the total working period.

Identify additional safety measures to protect the operator from the effects of noise and/or vibration, for example: maintaining the power tool and accessory tools, keeping the hands warm, organization of work patterns.

Noise emission values in accordance with EN 62841

	TE 500-A36
Sound pressure level (LpA)	91 dB
Uncertainty for the sound pressure level (KpA)	3 dB
Sound power level (LWA)	102 dB
Uncertainty for the sound power level (KWA)	3 dB

Total vibration in accordance with EN 62841

		TE 500-A36
Chiseling in concrete ($a_{h, \text{ChEq}}$)	B 36/5.2	7.9 m/s ²
	B 36/9.0	7.4 m/s ²
Uncertainty (K)		1.5 m/s ²

5 Battery

Battery operating voltage	36 V
Ambient temperature for operation	-17 °C ... 60 °C
Storage temperature	-20 °C ... 40 °C
Battery charging starting temperature	-10 °C ... 45 °C

6 Operation

6.1 Preparations at the workplace



Switch the product off or remove the battery before making adjustments or changing accessories.

Observe the safety instructions and warnings in this documentation and on the product.

6.1.1 Inserting the battery



WARNING

Risk of injury by short circuit or falling battery!

- ▶ Before inserting the battery, make sure that the contacts on the battery and the contacts on the product are free of foreign matter.
- ▶ Make sure that the battery always engages correctly.



1. Charge the battery fully before using it for the first time.
2. Push the battery into the product until it engages with an audible click.
3. Check that the battery is seated securely.

6.1.2 Removing the battery

1. Press the battery release buttons.
2. Remove the battery from the tool.

6.1.3 Charging the battery

1. Before charging the battery, read the operating instructions for the charger.
2. Make sure that the contacts on the battery and the contacts on the charger are clean and dry.
3. Use an approved charger to charge the battery. → page 5

6.1.4 Fitting the side handle 2

CAUTION

Risk of injury! Loss of control over the breaker.

- ▶ Check that the side handle is fitted correctly and tightened securely.
-
1. Switch off the power tool.
 2. Release the side handle clamping band by turning the handle grip.
 3. Slide the side handle clamping band over the chuck from the front and into the recess provided.
 4. Set the side handle to the desired position.
 5. Tighten the side handle clamping band by turning the handle grip.

6.1.5 Setting the power level



After the battery is inserted, the product is always set by default to full power.

-
1. Press the "button for half power". The product runs at half power.
 - ▶ The "half power indicator" lights up.
 2. Press the "button for half power" again. The product runs at full power.
 - ▶ The "half power indicator" goes out.

6.1.6 Inserting / removing the accessory tool 3

DANGER

Risk of fire! Risk of contact between the hot accessory tool and highly inflammable materials.

- ▶ Do not lay the hot accessory tool down on highly inflammable materials.

WARNING

Risk of injury! The tool becomes hot as a result of use.

- ▶ Wear protective gloves when changing the tool.



The use of unsuitable grease can cause damage to the product. **Use only genuine Hilti grease.**

-
1. Apply a little grease to the connection end of the accessory tool.
 - ▶ Use only genuine **Hilti** grease. Using the wrong grease can result in damage to the product.
 2. Set the function selector switch to the "Chiseling" position **T**.
 3. Push the accessory tool into the chuck as far as it will go (until it engages).
 4. After fitting the accessory tool, grip it and pull it in order to check that it is securely engaged.
 - ▶ The product is ready for use.
 5. Pull the chuck ring back as far as it will go and remove the accessory tool.



6.2 Types of work

CAUTION

Risk of injury! Loss of control over the breaker.

- ▶ Check that the side handle is fitted correctly and tightened securely.

Observe the safety instructions and warnings in this documentation and on the product.

6.3 Chisel positioning

CAUTION

Risk of injury! Loss of control over the chisel direction.

- ▶ Do not operate the tool when the selector switch is set to "Chisel positioning". Turn the function selector switch until it engages in the "Chiseling" position.

The chisel can be set to 24 different positions (in 15° increments). This ensures that flat chisels and shaped chisels can always be set to the optimum working position.

1. Switch off the power tool.
2. Set the function selector switch to the "Chisel positioning" position .
3. Turn the chisel to the desired position.
4. Set the function selector switch to this symbol: until it engages.
 - ▶ The product is ready for use.

6.3.1 Chiseling

- ▶ Set the function selector switch to the "Chiseling" position .

Use both hands to hold the product firmly. Keep the product clean and free of oil and grease.

When the product is hot after working, do not place it on readily flammable materials. These materials can ignite.

6.3.2 Switch sustained operation on and off

When chiseling, the control switch can be locked in the "on" position.

1. Push the lockbutton for continuous operation forward.
2. Press the control switch fully.
 - ▶ The product then runs in sustained operating mode.
3. Push the lockbutton for continuous operation back.
 - ▶ The product switches off.

7 Care and maintenance

WARNING

Risk of injury with battery inserted !

- ▶ Always remove the battery before carrying out care and maintenance tasks!

Care of the product

- Carefully remove stubborn dirt.
- Carefully clean the air vents, if present, with a dry, soft brush.
- Use only a slightly damp cloth to clean the housing. Do not use cleaning agents containing silicone as these can attack the plastic parts.
- Use a dry, clean cloth to clean the contacts of the product.



Care of the Li-ion batteries

- Never use a battery with clogged air vents. Clean the air vents carefully using a dry, soft brush.
- Avoid unnecessary exposure of the battery to dust and dirt. Never expose the battery to high levels of moisture (e.g. by being dipped in water or left in the rain).
If a battery has been soaked by moisture, treat it as a damaged battery. Isolate it in a non-flammable container and consult **Hilti Service**.
- Keep the battery free of extraneous oil and grease. Do not permit dust or dirt to accumulate unnecessarily on the battery. Clean the battery with a dry, soft brush or a clean, dry cloth. Do not use cleaning agents containing silicone as these can attack the plastic parts.
Do not touch the contacts of the battery and do not remove the factory-applied grease from the contacts.
- Use only a slightly damp cloth to clean the housing. Do not use cleaning agents containing silicone as these can attack the plastic parts.

Maintenance

- Check all visible parts and controls for signs of damage at regular intervals and make sure that they all function correctly.
- Do not use the product if signs of damage are found or if parts malfunction. Immediately have the product repaired by **Hilti Service**.
- After cleaning and maintenance, install all guards and protective devices and check that they are in full working order.



To help ensure safe and reliable operation, use only genuine Hilti spare parts and consumables. Spare parts, consumables and accessories approved by **Hilti** for use with your product can be found at your **Hilti Store** or online at: www.hilti.group

8 Transport and storage of cordless tools and batteries

Transport



CAUTION

Accidental starting during transport !

- ▶ Always transport your products with the batteries removed!
- ▶ Remove the battery/batteries.
- ▶ Never transport batteries loose and unprotected. During transport, batteries should be protected from excessive shock and vibration and isolated from any conductive materials or other batteries that may come in contact with the terminals and cause a short circuit. **Comply with the locally applicable regulations for transporting batteries.**
- ▶ Do not send batteries through the mail. Consult your shipper for instructions on how to ship undamaged batteries.
- ▶ Prior to each use and before and after prolonged transport, check the product and the batteries for damage.

Storage



WARNING

Accidental damage caused by defective or leaking batteries !

- ▶ Always store your products with the batteries removed!
- ▶ Store the product and the batteries in a cool and dry place. Comply with the temperature limits stated in the technical data.
- ▶ Do not store batteries on the charger. Always remove the battery from the charger when the charging operation has completed.
- ▶ Never leave batteries in direct sunlight, on sources of heat, or behind glass.
- ▶ Store the product and batteries where they cannot be accessed by children or unauthorized persons.
- ▶ Prior to each use and before and after prolonged storage, check the product and the batteries for damage.

9 Troubleshooting

If the trouble you are experiencing is not listed in this table or you are unable to remedy the problem by yourself, please contact **Hilti Service**.




9.1 Troubleshooting

Trouble or fault	Possible cause	Action to be taken
No hammering action.	The product is too cold.	► Bring the product into contact with the working surface, switch it on and allow it to idle. If necessary, repeat the procedure until the hammering mechanism begins to operate.
The battery runs down more quickly than usual.	Battery condition is not optimal.	► Replace the battery.
The battery does not engage with an audible "double click".	The retaining lugs on the battery are dirty.	► Clean the retaining lugs and refit the battery.
Product switches off automatically.	The overload protection system is active.	The ON/OFF indicator flashes. ► Release the control switch. Allow the product to cool down. Press the control switch again. Reduce the load on the tool.
The power tool or battery gets very hot.	Electrical fault.	► Immediately switch off the product. Remove the battery and keep it under observation. Allow it to cool down. Contact Hilti service.
	The product is overloaded (application limit exceeded).	► Select a product that is suitable for the intended purpose.
No response from the LEDs on the battery.	The battery is not fully inserted.	► Push the battery in until it engages with a double click.
	Battery is discharged.	► Change the battery and charge the empty battery.
	The battery is too hot or too cold.	► Bring the battery to the recommended working temperature.
1 LED on the battery flashes.	Battery is discharged.	► Change the battery and charge the empty battery.
	The battery is too hot or too cold.	► Bring the battery to the recommended working temperature.
4 LEDs on the battery flash.	Product momentarily overloaded.	► Release the control switch and then press it again.
	Protection against overheating.	► Allow the product to cool down and clean the air vents.
Product does not develop full power.	The control switch is not fully pressed.	► Press the control switch as far as it will go.
	The half-power button is engaged.	► Press the "half-power" button.
The insert tool cannot be released from the chuck.	The chuck is not pulled back fully.	► Pull the chuck back as far as it will go and remove the accessory tool.
	The side handle is not fitted correctly.	► Disengage the side handle and refit it correctly so that the clamping band and side handle engage in the recess.
Product does not start.	The electronic restart interlock is activated after an interruption in the electric supply.	► Switch the product off and then on again.
Service indicator shows.	Service limit time reached.	► Have the product repaired by Hilti Service.
Service indicator flashes.	The product is faulty.	► Have the product repaired by Hilti Service.



Trouble or fault	Possible cause	Action to be taken
The ON/OFF indicator flashes.	Product momentarily overloaded.	▶ Release the control switch and then press it again.
	Protection against overheating.	▶ Allow the product to cool down and clean the air vents.

10 Disposal

 Most of the materials from which **Hilti** tools and appliances are manufactured can be recycled. The materials must be correctly separated before they can be recycled. In many countries, your old tools, machines or appliances can be returned to **Hilti** for recycling. Ask **Hilti** Service or your Hilti representative for further information.



- ▶ Do not dispose of power tools, electronic equipment or batteries as household waste!

11 RoHS (Restriction of Hazardous Substances)

Click on the link to go to the table of hazardous substances: qr.hilti.com/r10130182.

There is a link to the RoHS table, in the form of a QR code, at the end of this document.

12 Manufacturer's warranty

- ▶ Please contact your local **Hilti** representative if you have questions about the warranty conditions.

Original brugsanvisning

1 Om brugsanvisningen

1.1 Om denne brugsanvisning

- Læs brugsanvisningen grundigt igennem inden ibrugtagning. Det er en forudsætning for sikkert arbejde og korrekt håndtering.
- Følg sikkerhedsanvisningerne og advarslerne i denne brugsanvisning og på produktet.
- Opbevar altid brugsanvisningen sammen med produktet, og overdrag kun produktet til andre personer sammen med denne brugsanvisning.

1.2 Tegnforklaring

1.2.1 Advarsler

Advarsler advarer mod farer ved håndtering af produktet. Følgende signalord anvendes:

**FARE****FARE !**

- ▶ Betegner en umiddelbart truende fare, der kan medføre alvorlige kvæstelser eller døden.

**ADVARSEL****ADVARSEL !**

- ▶ Står ved en potentielt truende fare, der kan medføre alvorlige kvæstelser eller døden.

**FORSIGTIG****FORSIGTIG !**

- ▶ Advarer om en potentielt farlig situation, der kan forårsage personskader eller materielle skader.

1.2.2 Symboler i brugsanvisningen

Der benyttes følgende symboler i denne brugsanvisning:



	Se brugsanvisningen
	Anvisninger for anvendelse og andre nyttige oplysninger
	Håndtering af genvindbare materialer
	Elektriske maskiner og batterier må ikke bortskaffes som almindeligt husholdningsaffald
	Hilti lithium-ion-batteri
	Hilti Lader

1.2.3 Symboler i illustrationer

Følgende symboler anvendes på illustrationer:

	Disse tal henviser til den pågældende illustration i begyndelsen af denne brugsanvisning.
	Nummereringen i illustrationerne henviser til vigtige arbejdsstrin eller for arbejdsstrin til vigtige komponenter. I teksten fremhæves disse arbejdsstrin eller komponenter med tilhørende numre, f.eks. (3) .
	Positionsnumre anvendes i illustrationen Oversigt og refererer til tallene i symbolforklaringen i afsnittet Produktoversigt .
	Dette symbol skal sikre skærpet opmærksomhed ved omgang med produktet.

1.3 Produktspecifikke symboler

1.3.1 Symboler på produktet

Følgende symboler kan forekomme på produktet:

	Mejsling
	Placering af mejsel
	Serviceindikator
	Diameter
	Nominelt omdrejningstal, ubelastet
	Omdrejninger pr. minut
	Jævnstrøm
	Produktet understøtter trådløs dataoverførsel, som er kompatibel med iOS- og Android-platforme.
	Lithium-ion-batteri
	Anvendt Hilti lithium-ion-batteriserie. Overhold oplysningerne i kapitlet Tilsigtet anvendelse .
	Brug aldrig batteriet som slagværktøj.
	Lad ikke batteriet falde på gulvet. Brug ikke et batteri, der har fået et slag eller på anden vis er beskadiget.

1.4 Tænd/sluk

Symboler

	Produktet er tændt
--	--------------------





Produktet er slukket

1.5 Produktoplysninger

HILTI-produkter er beregnet til professionel brug og må kun betjenes, efterses og vedligeholdes af autoriseret og instrueret personale. Dette personale skal i særdeleshed informeres om de potentielle farer, der er forbundet med anvendelsen af denne maskine. Der kan opstå farlige situationer ved anvendelse af produktet og det tilhørende udstyr, hvis det anvendes af personer, der ikke er blevet undervist i dens brug, eller hvis det ikke anvendes korrekt i henhold til forskrifterne i denne brugsanvisning.

Typebetegnelse og serienummer fremgår af typeskiltet.

- ▶ Notér serienummeret i den efterfølgende tabel. Du skal bruge produktoplysningerne ved henvendelser til vores lokale afdeling eller vores serviceværksted.

Produktoplysninger

Mejselhammer	TE 500-A36
Generation	04
Serienummer	

1.6 Overensstemmelseserklæring

Vi erklærer som eneansvarlige, at det beskrevne produkt er i overensstemmelse med gældende direktiver og standarder. Sidst i dette dokument finder du et billede af overensstemmelseserklæringen.

Den tekniske dokumentation er arkiveret her:

Hilti Entwicklungsgesellschaft mbH | Zulassung Geräte | Hiltistraße 6 | 86916 Kaufering, DE

2 Sikkerhed

2.1 Generelle sikkerhedsanvisninger for elværktøj

⚠ ADVARSEL Læs alle sikkerhedsanvisninger, henvisninger, billedtekster og tekniske data på elværktøjet. Hvis følgende anvisninger ikke overholdes, er der risiko for elektrisk stød, brand og/eller alvorlige personskader.

Opbevar alle sikkerhedsanvisninger og instruktioner til senere brug.

Det benyttede begreb "elværktøj" i sikkerhedsanvisningerne refererer til elektriske maskiner (med netledning) eller batteridrevne maskiner (uden netledning).

Arbejdspladssikkerhed

- ▶ **Sørg for at holde arbejdsområdet ryddeligt og godt oplyst.** Uorden eller uoplyste arbejdsområder øger faren for uheld.
- ▶ **Brug ikke elværktøj i eksplosionstruede omgivelser, hvor der er brændbare væsker, gasser eller støv.** Elværktøj kan slå gnister, der kan antænde støv eller dampe.
- ▶ **Sørg for, at andre personer og ikke mindst børn holdes væk fra arbejdsområdet, når elværktøjet er i brug.** Hvis man distraheres, kan man miste kontrollen over maskinen.

Elektrisk sikkerhed

- ▶ **Elværktøjets stik skal passe til kontakten. Stikket må under ingen omstændigheder ændres. Brug ikke adapterstik sammen med jordforbundne elværktøj.** Uændrede stik, der passer til kontakterne, nedsætter risikoen for elektrisk stød.
- ▶ **Undgå kropskontakt med jordforbundne overflader som f.eks. rør, radiatorer, komfurer og køleskabe.** Hvis din krop er jordforbundet, øges risikoen for elektrisk stød.
- ▶ **Elværktøj må ikke udsættes for regn eller fugt.** Indtrængning af vand i elværktøj øger risikoen for elektrisk stød.
- ▶ **Brug ikke ledningen til formål, den ikke er beregnet til (f.eks. må man aldrig bære elværktøjet i ledningen, hænge det op i ledningen eller rykke i ledningen for at trække stikket ud af kontakten). Beskyt ledningen mod varme, olie, skarpe kanter eller dele, der er i bevægelse.** Beskadigede eller sammenviklede ledninger øger risikoen for elektrisk stød.
- ▶ **Hvis elværktøjet benyttes i det fri, må der kun benyttes en forlængerledning, der er egnet til udendørs brug.** Brug af forlængerledning til udendørs brug nedsætter risikoen for elektrisk stød.
- ▶ **Hvis det ikke kan undgås at anvende elværktøjet i fugtige omgivelser, skal du anvende et fejlstrømsrelæ.** Anvendelsen af et fejlstrømsrelæ nedsætter risikoen for et elektrisk stød.



Personlig sikkerhed

- ▶ **Det er vigtigt at være opmærksom, se, hvad man laver, og bruge maskinen fornuftigt. Anvend aldrig elværktøj, hvis du er træt eller påvirket af stoffer, alkohol eller medicin.** Et øjebliks uopmærksomhed under brugen af elværktøjet kan medføre alvorlige personskader.
- ▶ **Brug beskyttelsesudstyr, og hav altid beskyttelsesbriller på.** Brug af sikkerhedsudstyr som f.eks. støvmaske, skridsikkert fodtøj, beskyttelseshjelm eller høreværn afhængigt af elværktøjets type og anvendelse nedsætter risikoen for personskader.
- ▶ **Undgå utilsigtet igangsætning. Kontrollér, at elværktøjet er frakoblet, før du slutter det til strømforsyningen og/eller batteriet, tager det op eller transporterer det.** Undgå at bære elværktøjet med fingeren på afbryderen, og sørg for, at det ikke er tændt, når det sluttes til nettet, da dette øger risikoen for personskader.
- ▶ **Fjern indstillingsværktøj eller skruenøgler, inden elværktøjet tændes.** Hvis et stykke værktøj eller en nøgle sidder i en roterende maskindel, er der risiko for personskader.
- ▶ **Undgå at arbejde i unormale kropstillinger. Sørg for at stå sikkert, mens der arbejdes, og kom ikke ud af balance.** Det er derved nemmere at kontrollere elværktøjet, hvis der skulle opstå uventede situationer.
- ▶ **Brug egnet arbejdstøj. Undgå løse beklædningsgenstande eller smykker. Hold hår, tøj og handsker væk fra dele, der bevæger sig.** Dele, der er i bevægelse, kan gribe fat i løstsiddende tøj, smykker eller langt hår.
- ▶ **Hvis støvudsugnings- og opsamlingsudstyr kan monteres, er det vigtigt, at dette tilsluttes og benyttes korrekt.** Ved at anvende en støvudsugning er det muligt at nedsætte risiciene som følge af støv.
- ▶ **Man må ikke ignorere sikkerhedsreglerne for elværktøj, heller ikke selvom man er fortrolig med brugen af elværktøjet.** Uagtsomhed kan medføre alvorlig tilskadekomst inden for få sekunder.

Anvendelse og pleje af elværktøjet

- ▶ **Undgå at overbelaste maskinen. Brug altid en maskine, der er beregnet til det stykke arbejde, der skal udføres.** Med det rigtige værktøj arbejder man bedst og mest sikkert inden for det angivne effektområde.
- ▶ **Brug ikke elværktøj, hvis afbryderen er defekt.** En maskine, der ikke kan startes og stoppes, er farlig og skal repareres.
- ▶ **Træk stikket ud af stikkontakten, og/eller fjern batteriet fra maskinen, inden du foretager indstillinger på den, skifter tilbehør og dele eller lægger den til side.** Disse sikkerhedsforanstaltninger forhindrer utilsigtet start af elværktøjet.
- ▶ **Opbevar ubenyttede elværktøjer uden for børns rækkevidde. Lad aldrig personer, der ikke er fortrolige med maskinen eller ikke har gennemlæst sikkerhedsanvisningerne, benytte denne.** Elværktøj er farligt, hvis det benyttes af ukyndige personer.
- ▶ **Sørg for at pleje elværktøj omhyggeligt. Kontrollér, om bevægelige dele fungerer korrekt og ikke sidder fast, og om delene er brækket eller beskadiget, således at elværktøjets funktion påvirkes. Få beskadigede dele repareret, inden elværktøjet tages i brug.** Mange uheld skyldes dårligt vedligeholdte elværktøjer.
- ▶ **Sørg for, at skæreværktøjer er skarpe og rene.** Omhyggeligt vedligeholdte skæreværktøjer med skarpe skærekanter sætter sig ikke så hurtigt fast og er nemmere at føre.
- ▶ **Anvend elværktøj, tilbehør, indsatsværktøj osv. i overensstemmelse med disse anvisninger. Tag hensyn til arbejdsforholdene og det arbejde, der skal udføres.** I tilfælde af anvendelse af maskinen til formål, som ligger uden for det fastsatte anvendelsesområde, kan der opstå farlige situationer.
- ▶ **Sørg for, at greb og gribeflader er tørre, rene og fri for olie og fedt.** Glatte greb og gribeblader gør betjeningen usikker, og det kan være svært at styre elværktøjet i uforudsete situationer.

Anvendelse og pleje af batteridrevet elværktøj

- ▶ **Oplad kun batterier i ladere, der er anbefalet af fabrikanten.** Der er risiko for brand, hvis en lader, der er beregnet til et bestemt batteri, anvendes til opladning af en anden batteritype.
- ▶ **Brug kun de batterier, der er beregnet til elværktøjet.** Brug af andre batterier øger risikoen for personskader og er forbundet med brandfare.
- ▶ **Ikke benyttede batterier må ikke komme i berøring med kontorclips, mønter, nøgler, søm, skruer eller andre små metalgenstande, da disse kan kortslutte kontakterne.** En kortslutning mellem batterikontakterne øger risikoen for personskader i form af forbrændinger.
- ▶ **Hvis batteriet anvendes forkert, kan der løbe væske ud af batteriet. Undgå at komme i kontakt med denne væske. Hvis det alligevel skulle ske, skylles med vand. Søg læge, hvis væsken kommer i øjnene.** Batterivæske kan give hudirritation eller forbrændinger.
- ▶ **Brug aldrig et beskadiget eller ændret batteri.** Beskadigede eller ændrede batterier kan virke utilsigtet og medføre brand, eksplosion eller risiko for tilskadekomst.



- ▶ **Batterier må ikke udsættes for åben ild eller høje temperaturer.** Ild eller temperaturer over 130 °C (265 °F) kan medføre eksplosion.
- ▶ **Følg alle anvisninger vedrørende opladning, og oplad aldrig batteriet eller det batteridrevne værktøj uden for det temperaturområde, der er anført i betjeningsvejledningen.** Forkert opladning eller opladning uden for det tilladte temperaturområde kan ødelægge batteriet og øge risikoen for brand.

Service

- ▶ **Sørg for, at elværktøjet kun reparerer af kvalificerede fagfolk, og at der altid benyttes originale reservedele.** Dermed sikres størst mulig elværktøjsikkerhed.
- ▶ **Forsøg aldrig at reparere beskadigede batterier.** Al vedligeholdelse af batterier skal foretages af producenten eller af autoriserede forhandlere.

2.2 Sikkerhedsanvisninger til hamre

Sikkerhedsanvisninger for alle opgaver

- ▶ **Brug høreværn.** Støjpåvirkningen kan medføre høretab.
- ▶ **Brug de ekstrahåndgreb, som følger med maskinen.** Hvis du mister kontrollen, kan det medføre personskader.
- ▶ **Hold maskinen på de isolerede grebsflader, når du udfører opgaver, hvor indsatsværktøjet kan ramme skjulte strømledninger.** Ved kontakt med en spændingsførende ledning kan også metalliske værktøjsdele sættes under spænding, hvilket kan medføre elektrisk stød.

2.3 Yderligere sikkerhedsanvisninger, mejselhammer

Personlig sikkerhed

- ▶ Anvend kun produktet og tilbehør i teknisk fejlfri stand.
- ▶ Foretag aldrig manipulationer eller ændringer på produkt eller tilbehør.
- ▶ Ved mejsling af lofter, vægge og gulve er det vigtigt at stå sikkert og stabilt. Hvis værktøjet pludselig går igennem, kan du miste balancen!
- ▶ Ved gennembrydningsarbejde skal du huske at sikre området på den modsatte side. Nedbrydningsdele kan falde ud og/eller ned og volde skade på andre personer.
- ▶ Sørg for, at du selv og personer, som opholder sig i nærheden under brugen af maskinen, anvender egnede beskyttelsesbriller, sikkerhedshjelm, høreværn og et let åndedrætsværn.
- ▶ Brug beskyttelseshandsker, når du skifter værktøj. Berøring af indsatsværktøjet kan medføre snitsår og forbrændinger.
- ▶ Brug øjenværn. Splinterne fra materialet kan medføre skader på legeme og øjne.
- ▶ Støv, der dannes ved slibning, skæring og boring, kan indeholde farlige kemikalier. Nogle eksempler er: Bly eller maling på blybasis; Tegl, beton og andre murværksprodukter, natursten og andre silikatholdige produkter; Bestemte træsorter som eg, bøg og kemisk behandlet træ; Asbest eller asbestholdige materialer. Bestem eksponeringen for brugeren og omkringstående personer ved hjælp af fareklassen for de materialer, der arbejdes på. Træf de nødvendige foranstaltninger for at holde eksponeringen på et sikkert niveau, f.eks. ved at bruge et støvopsamlingsystem eller brug af et passende åndedrætsværn. Generelle foranstaltninger til at reducere eksponeringen omfatter bl.a.:
 - ▶ Arbejde i et godt ventileret område,
 - ▶ Undgå længere tids kontakt med støv,
 - ▶ Lede støv bort fra ansigt og krop,
 - ▶ Brug beskyttende beklædning og vaske eksponerede områder med vand og sæbe.
- ▶ Hold hyppigt pauser, og lav øvelser, så fingrene får bedre blodgennemstrømning. Ved længerevarende arbejde kan vibrationer medføre forstyrrelser af fingrenes, hændernes eller håndleddenes blodkar og nervesystem.

Elektrisk sikkerhed

- ▶ Kontrollér før påbegyndelse af arbejdet arbejdsområdet for skjulte elektriske ledninger, gas- og vandrør, f.eks. med en metaldetektor. Udvendige metaldele på produktet kan medføre elektrisk stød eller forårsage en eksplosion, hvis du beskadiger en elledning, et gasrør eller et vandrør.

Omhyggelig omgang med og brug af elværktøj

- ▶ Vent, indtil produktet er standset helt, før du lægger det fra dig.

2.4 Omhyggelig omgang med og brug af batterier

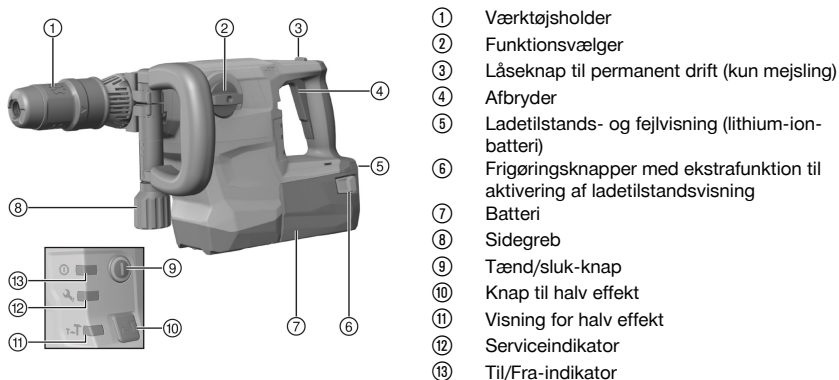
- ▶ Læs de særlige retningslinjer for transport, opbevaring og brug af lithium-ion-batterier.
- ▶ Hold batterier på sikker afstand af høje temperaturer, direkte solindstråling og ild.



- ▶ Batterierne må ikke adskilles, klemmes, opvarmes til over 80 °C eller brændes.
- ▶ Anvend og oplad ikke batterier, som har fået et slag, er faldet på gulvet fra mere end en meters højde eller på anden vis er blevet beskadiget. Kontakt i så fald altid **Hilti Service**.
- ▶ Hvis batteriet er for varmt til at kunne røres, kan det være defekt. Anbring batteriet på et overskueligt, ikke-brændbart sted med tilstrækkelig afstand til brændbare materialer. Lad batteriet køle af. Hvis batteriet efter en time fortsat er for varmt til at kunne røres, er det er defekt. Kontakt **Hilti Service**.

3 Beskrivelse

3.1 Produktoversigt



- ① Værktøjsholder
- ② Funktionsvælger
- ③ Låseknop til permanent drift (kun mejsling)
- ④ Afbryder
- ⑤ Ladetilstands- og fejlvisning (lithium-ion-batteri)
- ⑥ Frigøringsknapper med ekstrafunktion til aktivering af ladetilstandsvisning
- ⑦ Batteri
- ⑧ Sidegreb
- ⑨ Tænd/sluk-knap
- ⑩ Knap til halv effekt
- ⑪ Visning for halv effekt
- ⑫ Serviceindikator
- ⑬ Til/Fra-indikator

3.2 Bestemmelsesmæssig anvendelse

Det beskrevne produkt er en batteridrevet mejselhammer med pneumatisk slagmekanisme. Produktet er beregnet til lette og moderate mejselopgaver i murværk og til efterbearbejdning af beton.

- ▶ Anvend kun **Hilti** lithium-ion-batterier i typeserien B 36 til dette produkt.
- ▶ Anvend kun **Hilti** ladere i C4/36-serien til disse batterier.

3.2.1 Potentiel forkert brug

- Dette produkt egner sig ikke til bearbejdning af sundhedsskadelige materialer.
- Dette produkt egner sig ikke til arbejde i fugtige miljøer.

3.3 Active Vibration Reduction

Produktet er udstyret med et Active Vibration Reduction (AVR)-system, som reducerer vibrationsniveauet markant.

3.4 Serviceindikator

Produktet er udstyret med en serviceindikator med lyssignal.

3.4.1 MMI

Tilstand	Betydning
Serviceindikatoren lyser.	Tidspunktet for service er nået.
Serviceindikatoren blinker.	Få produktet repareret af Hilti Service .
Til/Fra-indikatoren lyser.	Produktet er tændt
Til/Fra-indikatoren blinker.	Produktet er slukket på grund af en midlertidig fejl.
Til/Fra-indikatoren er slukket.	Produktet er slukket.
Indikatoren Halv effekt lyser.	Produktet arbejder med halv effekt.
Indikatoren Halv effekt er slukket.	Produktet arbejder med fuld effekt.



3.4.2 Indikator for lithium-ion-batteriet

Lithium-ion-batteriets ladetilstand og fejl på maskinen signaleres via lithium-ion-batteriets indikator. Lithium-ion-batteriets ladetilstand vises efter berøring af de to batterifrigøringsknapper.

Tilstand	Betydning
4 lysdioder lyser.	Ladetilstand: 75 % til 100 %
3 lysdioder lyser.	Ladetilstand: 50 % til 75 %
2 lysdioder lyser.	Ladetilstand: 25 % til 50 %
1 lysdiode lyser.	Ladetilstand: 10 % til 25 %
1 lysdiode blinker.	Ladetilstand: < 10 %
1 lysdiode blinker, produktet er ikke klar til brug.	Batteriet er overophedet eller helt afladet.
4 lysdioder blinker, produktet er ikke klar til brug.	Maskinen er overbelastet eller overophedet.



Når afbryderen er aktiveret, og op til 5 sekunder efter at afbryderen er sluppet, er det ikke muligt at få vist ladetilstanden.

Hvis lysdioderne på batteriets indikator blinker, henvises til beskrivelsen i kapitlet Fejlafhjælpning.

3.5 Leveringsomfang

Mejselhammer, sidegreb, brugsanvisning.

Andre systemprodukter, som er godkendt til dit produkt, finder du i **Hilti Store** eller på: www.hilti.group

4 Tekniske data

	TE 500-A36
Nominal spænding	36 V
Vægt i overensstemmelse med EPTA-procedure 01	7,9 kg
Enkeltslagsenergi i henhold til EPTA-procedure 05	7,8 J
Værktøjsholder	TE-Y
Opbevaringstemperatur	-20 °C ... 70 °C
Omgivende temperatur under drift	-17 °C ... 60 °C

4.1 Støjinformation og vibrationsværdier iht. EN 62841

Lydtryk- og vibrationsværdier i denne brugsanvisning er målt i henhold til en standardiseret målemetode og kan anvendes til sammenligning af forskellige elværktøjer. De kan også anvendes til en foreløbig vurdering af den eksponering, brugeren udsættes for.

De anførte data repræsenterer elværktøjets primære anvendelsesformål. Hvis elværktøjet imidlertid anvendes til andre formål, med andre indsatsværktøjer eller utilstrækkelig vedligeholdelse, kan dataene afvige. Dette kan forøge den eksponering, som brugeren udsættes for, i hele arbejdstiden markant.

For at opnå en præcis vurdering af den eksponering, som brugeren udsættes for, bør også den tid, hvor elværktøjet er slukket eller blot kører uden at blive anvendt, inddrages. Dette kan reducere den eksponering, som brugeren udsættes for, i hele arbejdstiden markant.

Fastlæg yderligere sikkerhedsforanstaltninger til beskyttelse af brugeren mod støj- og/eller vibrationspåvirkninger, f.eks. er det vigtigt at vedligeholde elværktøj og indsatsværktøj, at holde hænderne varme og at organisere arbejdsprocesserne.

Støjemissionsværdier i henhold til EN 62841

	TE 500-A36
Lydtrykniveau (LpA)	91 dB
Usikkerhed, lydtrykniveau (KpA)	3 dB
Lydeffektniveau (LWA)	102 dB
Usikkerhed, lydeffektniveau (KWA)	3 dB



Samlede vibrationsværdier i henhold til EN 62841

		TE 500-A36
Mejsling i beton ($a_{h, CHeq}$)	B 36/5.2	7,9 m/s ²
	B 36/9.0	7,4 m/s ²
Usikkerhed (K)		1,5 m/s ²

5 Batteri

Batteridriftsspænding	36 V
Omgivende temperatur under drift	-17 °C ... 60 °C
Opbevaringstemperatur	-20 °C ... 40 °C
Batteriets temperatur ved start af ladning	-10 °C ... 45 °C

6 Betjening
6.1 Forberedelse af arbejdet


Sluk produktet, eller fjern batteriet, inden du foretager indstillinger eller skifter tilbehørsdele.

Følg sikkerheds- og advarselshenvisningerne i denne dokumentation og på produktet.

6.1.1 Isætning af batteri

ADVARSEL
Fare for personskader på grund af kortslutning eller batteri, der falder på gulvet!

- ▶ Før isætning af batteriet skal du kontrollere, at batteriets kontakter og kontakterne på produktet er fri for fremmedlegemer.
- ▶ Kontrollér, at batteriet altid går korrekt i indgreb.

1. Lad batteriet helt op før første ibrugtagning.
2. Skub batteriet ind i produktet, indtil det går hørbart i indgreb.
3. Kontrollér, at batteriet er sat korrekt i.

6.1.2 Fjernelse af batteri

1. Tryk på batteriets frigøringsknapper.
2. Træk batteriet ud af maskinen.

6.1.3 Opladning af batteri

1. Læs brugsanvisningen til laderen før opladning.
2. Vær opmærksom på, at kontakterne på batteriet og laderen er rene og tørre.
3. Oplad batteriet i en godkendt lader. → Side 17

6.1.4 Montering af sidegreb

FORSIGTIG

Fare for personskader Manglende kontrol over mejselhammeren.

- ▶ Kontrollér, at sidegrebet er monteret rigtigt og fastgjort korrekt.
1. Afbryd maskinen.
 2. Drej på grebet for at løsne sidegrebets holder (spændebånd).
 3. Skub holderen (spændebånd) på forfra over værktøjsholderen frem til den dertil beregnede not.
 4. Anbring sidegrebet i den ønskede position.
 5. Drej på grebet for at spænde sidegrebets holder (spændebånd).



6.1.5 Indstilling af effekt



Efter isætning af batteriet er produktet altid indstillet til fuld effekt.

1. Tryk på "knappen til halv effekt". Produktet indstilles til halv effekt.
 - ▶ "Indikator for halv effekt" lyser.
2. Tryk på "knappen til halv effekt" igen. Produktet indstilles til fuld effekt.
 - ▶ "Indikator for halv effekt" slukkes.

6.1.6 Indsætning/udtagning af værktøj



FARE

Brændfare Fare ved kontakt mellem det varme værktøj og let antændelige materialer.

- ▶ Læg ikke det varme værktøj på let antændelige materialer.



ADVARSEL

Fare for personskader Værktøjet bliver varmt under brug.

- ▶ Brug beskyttelseshandsker, når du skifter værktøj.



Hvis der anvendes en fedttype, som ikke egner sig, kan det medføre skader på produktet. **Anvend kun originalt fedt fra Hilti.**

1. Smør indsatsværktøjets indstiksende med et tyndt lag fedt.
 - ▶ Anvend kun originalt fedt fra **Hilti**. En forkert fedttype kan medføre skader på produktet.
2. Sæt funktionsvælgeren på positionen "Mejsling" **T**.
3. Sæt indsatsværktøjet i værktøjsholderen indtil anslag, og lad det gå i indgreb.
4. Kontrollér efter isætning, at værktøjet sidder sikkert fast ved at trække i det.
 - ▶ Produktet er klar til brug.
5. Træk værktøjslåsen tilbage indtil anslag, og tag indsatsværktøjet ud.

6.2 Arbejde



FORSIGTIG

Fare for personskader Manglende kontrol over mejselhammeren.

- ▶ Kontrollér, at sidegrebet er monteret rigtigt og fastgjort korrekt.

Følg sikkerheds- og advarselshenvisningerne i denne dokumentation og på produktet.

6.3 Placering af mejsel



FORSIGTIG

Fare for personskader! Tab af kontrol over mejselretningen.

- ▶ Arbejd ikke i positionen "Placering af mejsel". Sæt funktionsvælgeren på positionen "Mejsling".



Mejslen kan indstilles i 24 forskellige positioner (i trin på 15°). Dette gør, at man med flad- og formmejsler altid kan arbejde i den korrekte arbejdsstilling.

1. Afbryd maskinen.
2. Sæt funktionsvælgeren på positionen "Placering af mejsel" →.
3. Drej mejslen i den ønskede position.
4. Sæt funktionsvælgeren på dette symbol: **T**, indtil den går i indgreb.
 - ▶ Produktet er klar til brug.



6.3.1 Mejsling

- ▶ Sæt funktionsvælgeren på positionen "Mejsling" **T**.



Hold altid produktet med begge hænder. Hold produktet rent og frit for olie og fedt.



Læg ikke det varme produkt fra dig på antændelige materialer efter arbejdet. Disse kan blive antændt.

6.3.2 Aktivering/deaktivering af permanent drift **5**



Under mejslingen kan du låse afbryderen, mens maskinen er i gang.

1. Skub låseknappen til permanent drift fremad.
2. Tryk afbryderen helt i bund.
 - ▶ Produktet arbejder nu i permanent drift.
3. Skub låseknappen til permanent drift tilbage.
 - ▶ Produktet slukkes.

7 Rengøring og vedligeholdelse



ADVARSEL

Fare for personskader ved isat batteri !

- ▶ Fjern altid batteriet før alle pleje- og vedligeholdelsesarbejder!

Pleje af produktet

- Fjern fastsiddende snavs forsigtigt.
- Rengør forsigtigt evt. ventilationsåbninger med en tør, blød børste.
- Rengør kun huset med en hårdt opvredet klud. Brug ikke silikoneholdige plejemidler, da de kan angribe plastdelene.
- Brug en ren, tør klud til at rengøre kontakterne på produktet.

Pleje af Li-ion-batterier

- Anvend aldrig et batteri med tilstoppede ventilationsåbninger. Rengør forsigtigt ventilationsåbningerne med en tør, blød børste.
- Undgå, at batteriet unødigt udsættes for støv og snavs. Udsæt aldrig batteriet for høj fugtighed (f.eks. dykke det i vand eller lade det stå ude i regnvej). Hvis et batteri er blevet gennemvådt, skal det behandles som et beskadiget batteri. Isolér det i en ikke-brændbar beholder, og kontakt **Hilti Service**.
- Hold batteriet frit for udefrakommende olie og fedt. Lad ikke unødigt støv og snavs samle sig på batteriet. Rengør batteriet med en tør, blød børste eller en ren, tør klud. Brug ikke silikoneholdige plejemidler, da de kan angribe plastdelene. Berør ikke batteriets kontakter, og fjern ikke det fedt fra kontakterne, som er påført fra fabrikken.
- Rengør kun huset med en hårdt opvredet klud. Brug ikke silikoneholdige plejemidler, da de kan angribe plastdelene.

Vedligeholdelse

- Kontrollér regelmæssigt alle synlige dele for skader og betjeningselementerne for fejlfri funktion.
- Anvend ikke produktet i tilfælde af beskadigelse og/eller funktionsfejl. Få straks produktet repareret af **Hilti Service**.
- Monter alle beskyttelsesanordninger efter pleje- og vedligeholdelsesarbejder, og kontroller dem for korrekt funktion.



Anvend kun originale reservedele og forbrugsmaterialer af hensyn til en sikker drift. Reservedele, forbrugsmaterialer og tilbehør til dit produkt, som **Hilti** har godkendt, finder du i din **Hilti Store** eller under: www.hilti.group



8 Transport og opbevaring af batteridrevet værktøj og batterier

Transport

FORSIGTIG

Utsigtsigt start ved transport !

- ▶ Transportér altid dine produkter uden isat batteri!
- ▶ Tag batteriet/batterierne af.
- ▶ Transportér aldrig batterier liggende løst og ubeskyttet. Under transporten bør batterierne beskyttes mod hårde slag og vibrationer og isoleres fra enhver form for ledende materialer eller andre batterier, så de ikke kommer i kontakt med andre batteripoler og forårsager en kortslutning. **Overhold de lokale transportforskrifter for batterier.**
- ▶ Batterier må ikke sendes med posten. Henvend dig til et transportfirma, hvis du ønsker at sende ubeskadigede batterier.
- ▶ Kontrollér produktet og batterierne for skader hver gang før brug og før og efter længere transport.

Opbevaring

ADVARSEL

Utsigtsigt beskadigelse på grund af defekte eller utætte batterier !

- ▶ Opbevar altid dine produkter uden isat batteri!
- ▶ Opbevar produkt og batterier køligt og tørt. Overhold de temperaturgrænser, der fremgår af de tekniske data.
- ▶ Opbevar ikke batterier i laderen. Tag batteriet ud af laderen, når opladningen er gennemført.
- ▶ Opbevar aldrig batterier i direkte sollys, på varmekilder eller i et vindue.
- ▶ Opbevar produkt og batterier utilgængeligt for børn og uvekkommende personer.
- ▶ Kontrollér produktet og batterierne for skader hver gang før brug og før og efter længere tids opbevaring.

9 Fejlafhjælpning

Ved fejl, som ikke fremgår af denne tabel, eller som du ikke selv kan afhjælpe, beder vi dig om at kontakte **Hilti Service**.

9.1 Fejlsøgning

Fejl	Mulig årsag	Løsning
Ingen slagfunktion.	Produktet er for koldt.	<ul style="list-style-type: none"> ▶ Sæt produktet på underlaget og lad det køre i tomgang. Gentag om nødvendigt proceduren, indtil slagmekanismen arbejder.
Batteriet aflades hurtigere end normalt.	Batteritilstanden er ikke optimal.	<ul style="list-style-type: none"> ▶ Udskift batteriet.
Batteriet går ikke i indgreb med et tydeligt dobbeltklik.	Låsetapperne på batteriet er beskadigede.	<ul style="list-style-type: none"> ▶ Rengør holdetapperne, og bring batteriet i indgreb igen.
Produktet slukker automatisk.	Overbelastningsbeskyttelsen er aktiv.	Til/Fra-indikatoren blinker. <ul style="list-style-type: none"> ▶ Slip afbryderen. Lad produktet køle af. Betjen afbryderen igen. Reducer maskinens belastning.
Kraftig varmeudvikling i produktet eller batteriet.	Elektrisk defekt.	<ul style="list-style-type: none"> ▶ Sluk omgående produktet. Tag batteriet ud, og hold øje med det. Lad det køle af. Kontakt Hilti Service.
	Produktet er overbelastet (anvendelsesgrænse overskredet).	<ul style="list-style-type: none"> ▶ Vælg et produkt, der egner sig til opgaven.
Lysdioder på batteriet er ikke aktive.	Batteriet er ikke korrekt isat.	<ul style="list-style-type: none"> ▶ Bring batteriet i indgreb med et dobbeltklik.
	Aflad batteri.	<ul style="list-style-type: none"> ▶ Udskift batteriet, og oplad det tomme batteri.



Fejl	Mulig årsag	Løsning
Lysdioder på batteriet er ikke aktive.	Batteriet er for varmt eller for koldt.	► Bring batteriet op på den anbefalede arbejdstemperatur.
1 lysdiode på batteriet blinker.	Aflad batteri.	► Udskift batteriet, og oplad det tomme batteri.
	Batteriet er for varmt eller for koldt.	► Bring batteriet op på den anbefalede arbejdstemperatur.
4 lysdioder på batteriet blinker.	Produktet er kortvarigt overbelastet.	► Slip afbryderen, og betjen den igen.
	Overophedningsbeskyttelse.	► Lad produktet køle af, og rengør ventilationsåbningerne.
Produktet har ikke fuld ydelse.	Afbryderen er ikke trykket helt ind.	► Tryk afbryderen helt ind til anslag.
	Knappen "halv effekt" er aktiveret.	► Tryk på knappen "halv effekt".
Værktøjet kan ikke frigøres.	Værktøjsholderen er ikke trukket helt tilbage.	► Træk værktøjslåsen tilbage indtil anslag, og tag værktøjet ud.
	Sidegrebet er ikke rigtigt monteret.	► Løsn sidegrebet, og monter det korrekt, så spændebåndet og sidegrebet er i indgreb i fordybningen.
Produktet starter ikke.	Den elektroniske startspærre efter en strømafbrydelse er aktiveret.	► Sluk produktet, og tænd det igen.
Serviceindikatoren lyser.	Servicetiden er nået.	► Få produktet repareret af Hilti Service .
Serviceindikatoren blinker	Skader på produktet.	► Få produktet repareret af Hilti Service .
Til/Fra-indikatoren blinker.	Produktet er kortvarigt overbelastet.	► Slip afbryderen, og betjen den igen.
	Overophedningsbeskyttelse.	► Lad produktet køle af, og rengør ventilationsåbningerne.

10 Bortskaffelse

Størstedelen af de materialer, som anvendes ved fremstillingen af **Hilti**-produkter, kan genvindes. Materialerne skal sorteres, før de kan genvindes. I mange lande modtager **Hilti** dine udtjente maskiner med henblik på genvinding. Spørg **Hilti** kundeservice eller din forhandler.



- Elværktøj, elektriske maskiner og batterier må ikke bortskaffes sammen med almindeligt husholdningsaffald!

11 RoHS (direktiv til begrænsning af anvendelsen af farlige stoffer)

Under følgende link finder du tabellen med farlige stoffer: qr.hilti.com/r10130182.

Et link til RoHS-tabellen finder du i slutningen af denne dokumentation som QR-kode.

12 Producentgaranti

- Hvis du har spørgsmål vedrørende garantibetingelserne, bedes du henvende dig til din lokale **Hilti**-partner.



Originalbruksanvisning

1 Anvisningar om bruksanvisning

1.1 Om denna bruksanvisning

- Läs noga igenom den här bruksanvisningen innan du använder verktyget. Det är en förutsättning för säkert arbete och problemfri hantering.
- Observera de säkerhets- och varningsanvisningar som du hittar i denna bruksanvisning och på produkten.
- Förvara alltid bruksanvisningen tillsammans med produkten och överlämna aldrig produkten till någon annan utan att bifoga den.

1.2 Teckenförklaring

1.2.1 Varningar

Varningarna är till för att varna för risker i samband med användning av produkten. Följande riskindikeringar används:



FARA

FARA !

- ▶ Anger överhängande risker som kan leda till svåra personskador eller dödsolycka.



VARNING

VARNING !

- ▶ Anger potentiella risker som kan leda till svåra personskador eller dödsfall.



FÖRSIKTIGHET

FÖRSIKTIGHET !

- ▶ Används för att uppmärksamma om en potentiell risksituation som kan leda till skador på person eller utrustning.

1.2.2 Symboler i bruksanvisningen

I den här bruksanvisningen används följande symboler:

	Observera bruksanvisningen
	Anmärkningar och annan praktisk information
	Hantering av återvinningsbara material
	Elverktyg och batterier får inte kastas i hushållssoporna
	Hilti litiumjonbatteri
	Hilti Batteriladdare

1.2.3 Symboler i bilderna

Följande symboler används i bilder:

	Dessa siffror hänvisar till motsvarande bild i början av bruksanvisningen.
3	Numreringen i bilderna hänvisar till viktiga arbetsmoment eller viktiga komponenter för arbetsmomenten. I texten framhävs dessa arbetsmoment eller komponenter med motsvarande nummer, t.ex. (3).
	I bilden Översikt används positionsnummer och hänvisar till siffrorna i teckenförklaringen i avsnittet Produktöversikt .
	Det här tecknet är till för att du ska vara extra uppmärksam på något som gäller hur du hanterar produkten.



1.3 Produktberoende symboler

1.3.1 Symboler på produkten

Följande symboler kan förekomma på produkten:

	Mejsling
	Mejselpositionering
	Serviceindikator
	Diameter
n_0	Nominellt varvtal, obelastat
/min	Varv per minut
	Likström
	Produkten stöder trådlös dataöverföring som är kompatibel med iOS- och Android-plattformar.
Li-Ion	Litiumjonbatteri
	Hilti-litiumjonbatteriserie som används. Observera uppgifterna i kapitlet Avsedd användning.
	Använd aldrig batteriet som slagverktyg.
	Låt inte batteriet falla ner på marken. Använd inte batterier som har utsatts för slag eller på annat sätt har skadats.

1.4 In-/urkoppling

Symboler

	Produkten är påslagen
	Produkten är avstånd

1.5 Produktinformation

HILTI-produkter är avsedda för professionella användare och får endast användas, underhållas och repareras av auktoriserad, utbildad personal. Personalen måste vara särskilt informerad om de risker som finns. Produkten och dess tillbehör kan utgöra en risk om den används på ett felaktigt sätt av utbildad personal eller inte används enligt föreskrifterna.

Typbeteckning och serienummer anges på typskylten.

- ▶ Använd de serienummer som anges i följande tabell. Du behöver produktuppgifterna när du kontaktar vår återförsäljare eller serviceverkstad.

Produktdetaljer

Mejselhammare	TE 500-A36
Generation	04
Serienr	

1.6 Försäkran om överensstämmelse

Vi försäkras på eget ansvar att den produkt som beskrivs här överensstämmer med gällande direktiv och standarder. En bild på försäkran om överensstämmelse hittar du i slutet av dokumentationen.

Den tekniska dokumentationen finns sparad här:

Hilti Entwicklungsgesellschaft mbH | Zulassung Geräte | Hiltistraße 6 | 86916 Kaufering, Tyskland



2.1 Allmänna säkerhetsföreskrifter för elverktyg

⚠ VARNING Läs noga igenom alla säkerhetsföreskrifter, anvisningar, avbildningar och tekniska data som medföljer detta elverktyg. Om nedanstående anvisningar inte följs, finns risk för elektriska stötar, brand och/eller svåra skador.

Förvara alla säkerhetsföreskrifter och anvisningarna på ett säkert ställe för framtida användning.

Begreppet "elverktyg" som används i säkerhetsföreskrifterna avser nätdrivna elverktyg (med nätkabel) och batteridrivna elverktyg (sladdlösa).

Säker arbetsmiljö

- ▶ **Håll arbetsområdet rent och väl belyst.** Oordning eller bristfällig belysning på arbetsplatsen kan leda till olyckor.
- ▶ **Arbeta inte med elverktyget i omgivningarna med explosionsrisk där det finns brännbara vätskor, gaser eller damm.** Elverktyg alstrar gnistor som kan antända dammet eller gaserna.
- ▶ **Håll barn och obehöriga personer på betryggande avstånd under arbetet med elverktyget.** Om du störs av obehöriga personer kan du förlora kontrollen över verktyget.

Elsäkerhet

- ▶ **Elverktygets elkontakt måste passa till vägguttaget. Elkontakten får absolut inte ändras. Använd inte adapterkontakter tillsammans med skyddsjordade elverktyg.** Originalkontakter och lämpliga vägguttag minskar risken för elstötar.
- ▶ **Undvik kroppskontakt med jordade ytor som rör, värmeelement, spisar och kylskåp.** Det finns en större risk för elstötar om din kropp är jordad.
- ▶ **Skydda elverktyget från regn och väta.** Tränger vatten in i ett elverktyg ökar risken för elstötar.
- ▶ **Använd inte anslutningskabeln på ett felaktigt sätt, t.ex. genom att bära eller hänga upp elverktyget i den eller dra i den för att lossa elkontakten ur vägguttaget. Håll anslutningskabeln på avstånd från värmekällor, olja, vassa kanter och rörliga delar.** Skadade eller tilltrasslade anslutningskablar ökar risken för elstötar.
- ▶ **När du arbetar med ett elverktyg utomhus, använd endast förlängningskablar som är avsedda för utomhusbruk.** Genom att använda en lämplig förlängningskabel för utomhusbruk minskar du risken för elstötar.
- ▶ **Om det är alldeles nödvändigt att använda verktyget i fuktig miljö ska du använda en jordfelsbrytare.** Användning av jordfelsbrytare minskar risken för elstötar.

Personssäkerhet

- ▶ **Var uppmärksam, ha uppsikt över vad du gör och använd elverktyget med förnuft. Använd aldrig elverktyg om du är trött eller påverkad av droger, alkohol eller medicin.** En kort sekund av bristande uppmärksamhet när du arbetar med ett elverktyg kan leda till att du skadar dig själv eller någon annan svårt.
- ▶ **Bär alltid personlig skyddsutrustning och skyddsglasögon.** Genom att använda personlig skyddsutrustning som t.ex. dammskyddsmask, halkfria säkerhetsskor, hjälm eller hörselskydd, beroende på vilket elverktyg du använder och till vad, minskar du risken för kroppsskada.
- ▶ **Undvik oavsiktlig igångsättning. Se till att elverktyget är fränkopplat innan du ansluter det till nätströmmen och/eller batteriet, tar upp det eller bär det.** Om du bär elverktyget med fingret på strömbrytaren eller ansluter ett tillkopplat verktyg till nätströmmen kan en olycka inträffa.
- ▶ **Ta bort alla inställningsverktyg och skruvnycklar innan du kopplar in elverktyget.** Ett verktyg eller en nyckel i en roterande komponent kan leda till skador.
- ▶ **Undvik en onormal kroppshållning. Se till att du står stadigt och håller balansen.** Då kan du lättare kontrollera elverktyget i oväntade situationer.
- ▶ **Bär lämpliga kläder. Bär inte löst hängande kläder eller smycken. Håll håret, kläderna och handskarna på avstånd från rörliga delar.** Löst hängande kläder, smycken och långt hår kan dras in av roterande delar.
- ▶ **När du använder elverktyg med anordningar för uppsugning och uppsamling av damm, bör du kontrollera att dessa anordningar är rätt monterade och används korrekt.** Används en dammsugare kan faror som orsakas av damm minskas.
- ▶ **Invagga dig inte i falsk säkerhet och strunta inte säkerhetsreglerna för elverktyg även om du har stor vana vid att arbeta med elverktyget.** Oförsiktig hantering kan leda till allvarliga skador inom bråkdelar av en sekund.

Användning och hantering av elverktyg

- ▶ **Överbelasta inte verktyget. Använd elverktyg som är avsedda för det aktuella arbetet.** Med ett lämpligt elverktyg kan du arbeta bättre och säkrare inom angivet effektområde.



- ▶ **Använd aldrig elverktyget om strömbrytaren är defekt.** Ett elverktyg som inte kan kopplas in eller ur är farligt och måste repareras.
- ▶ **Dra ut elkontakten ur uttaget och/eller ta i förekommande fall bort det löstagbara batteriet innan du gör inställningar, byter tillbehör eller lägger ifrån dig verktyget.** Denna skyddsåtgärd förhindrar att du eller någon annan råkar sätta igång elverktyget av misstag.
- ▶ **Förvara elverktyg oåtkomligt för barn.** Verktyget får inte användas av personer som inte är vana eller inte har läst dessa anvisningar. Elverktyg är farliga om de används av oerfarna personer.
- ▶ **Underhåll elverktygen och tillbehören noggrant. Kontrollera att rörliga komponenter fungerar felfritt och inte kärvar och att komponenter inte har brustit eller skadats så att elverktygets funktion påverkas negativt. Se till att skadade delar repareras innan verktyget används igen.** Många olyckor orsakas av dåligt skötta elverktyg.
- ▶ **Håll insatsverktygen skarpa och rena.** Omsorgsfullt skötta insatsverktyg med skarpa eggar kommer inte så lätt i kläm och går lättare att styra.
- ▶ **Använd elverktyg, tillbehör, insatsverktyg osv. enligt dessa anvisningar. Ta hänsyn till arbetsvillkoren och arbetsmomenten.** Används elverktyget på icke ändamålsenligt sätt kan farliga situationer uppstå.
- ▶ **Se till att handtaget och greppytorna är torra, rena och fria från olja och fett.** Med hala handtag och gripytor går det inte att hantera och kontrollera elverktyget säkert i oväntade situationer.

Användning och hantering av batteriverktyg

- ▶ **Ladda endast batterierna i de laddare som tillverkaren har rekommenderat.** Brandrisk kan uppstå om en laddare som är avsedd för en viss typ av batterier används för andra batterityper.
- ▶ **Använd endast batterier som är avsedda för aktuellt elverktyg.** Används andra batterier finns det risk för kroppsskada och brand.
- ▶ **Håll gem, mynt, nycklar, spikar, skruvar och andra små metallföremål på avstånd från reservbatterier för att undvika kortslutning av kontakterna.** En kortslutning av batteriets kontakter kan leda till brännskador eller brand.
- ▶ **Om batteriet används på fel sätt kan vätska rinna ur batteriet. Undvik kontakt med vätskan. Vid oavsiktlig kontakt, skölj med vatten. Om vätska kommer i kontakt med ögonen, uppsök dessutom läkare.** Batterivätskan kan orsaka hudirritation eller brännskada.
- ▶ **Använd aldrig skadade eller egenhändigt modifierade batterier.** Skadade eller modifierade batterier kan bete sig oförutsägbart och orsaka brand, explosioner eller risk för skador.
- ▶ **Utsätt aldrig batterier för öppen eld eller för höga temperaturer.** Öppen eld eller temperaturer över 130 °C (265 °F) kan orsaka explosion.
- ▶ **Följ alla anvisningar för laddning och ladda aldrig batteriet eller batteriverktyget vid temperaturer som ligger utanför det intervall som anges i bruksanvisningen.** Felaktigt utförd laddning eller laddning vid temperaturer utanför det tillåtna intervallet kan förstöra batteriet och öka risken för brand.

Service

- ▶ **Låt endast kvalificerad fackpersonal reparera elverktyget och använd då endast originalreservdelar.** Detta garanterar att verktygets säkerhet upprätthålls.
- ▶ **Utför aldrig underhåll på skadade batterier.** Underhåll av batterier får endast utföras av tillverkaren eller av auktoriserade kundservicecenter.

2.2 Säkerhetsföreskrifter för hammare

Säkerhetsanvisningar för alla arbeten

- ▶ **Bär hörselskydd.** Buller kan leda till hörselskador.
- ▶ **Använd de extrahandtag som levereras tillsammans med verktyget.** Tappar du kontrollen över verktyget kan det leda till skador.
- ▶ **Håll verktyget i de isolerade greppytorna medan du arbetar, eftersom det kan finnas risk att insatsverktyget stöter på en dold elledning.** Vid kontakt med en spänningssatt ledning kan metalldelar på verktyget spänningssättas och ge dig en stöt.

2.3 Ytterligare säkerhetsanvisningar för mejselhammare

Personsäkerhet

- ▶ Använd endast produkten och dess tillbehör om den är fullt funktionsduglig.
- ▶ Produkten eller dess tillbehör får inte byggas om eller ändras.
- ▶ Se till att du står stadigt vid bilning i tak, väggar och golv. Ett plötsligt genombrott kan göra att du tappar balansen!



- ▶ Vid genombrottsarbeten, tänk på att säkra området på motstående sida. Annars finns det risk för att det material som lossnar ramlar ner eller skjuter iväg och skadar människor i närheten.
- ▶ Använd lämpliga skyddsglasögon, skyddshjälm, hörselskydd och ett lätt andningsskydd när du arbetar med verktyget och se till att personer i närheten av verktyget har samma skyddsutrustning.
- ▶ Använd skyddshandskar vid verktygsbyte. Det finns risk för skär- och brännskador vid beröring av nys använda insatsverktyg.
- ▶ Använd skyddsglasögon. Splitter kan skada oskyddade kroppsdelar och ögon.
- ▶ Damm som uppstår vid slipning, polering, kapning och bormning kan innehålla farliga kemikalier. Exempel på sådana är: bly eller blybaserade färger, tegel, betong och andra murverksprodukter, natursten och andra produkter som innehåller silikat, Vissa träslag som ek och bok samt kemiskt behandlat trä, asbest eller material som innehåller asbest. Fastställ exponeringen för användaren och personer i närheten av arbetsområdet genom att kontrollera vilken riskklass det material som ska bearbetas tillhör. Vidta nödvändiga åtgärder för att hålla exponeringen på en säker nivå. Använd t.ex. ett dammuppsamlingssystem eller bär lämpligt andningsskydd. Allmänna åtgärder för att minska exponeringen är:
 - ▶ Arbeta i ett välventilerat utrymme,
 - ▶ Undvik längre kontakt med damm,
 - ▶ Led bort damm från ansiktet och kroppen,
 - ▶ Bär skyddskläder och tvätta exponerade områden med tvål och vatten.
- ▶ Ta ofta paus i arbetet och utför fingerövningar som ökar blodgenomströmningen i fingrarna. Vid långvarigt, ihållande arbete kan de starka vibrationerna ge besvär i blodkärl och nerver i fingrarna, händerna och handlederna.

Elektrisk säkerhet

- ▶ Undersök om det finns dolda el-, gas- och vattenledningar inom arbetsområdet innan du påbörjar arbetet. Utanpåliggande metalldelar på produkten kan orsaka elstöt eller explosion om du skadar en el-, gas- eller vattenledning.

Omsorgsfull hantering och användning av elverktyg

- ▶ Vänta tills produkten har stannat helt innan du lägger den ifrån dig.

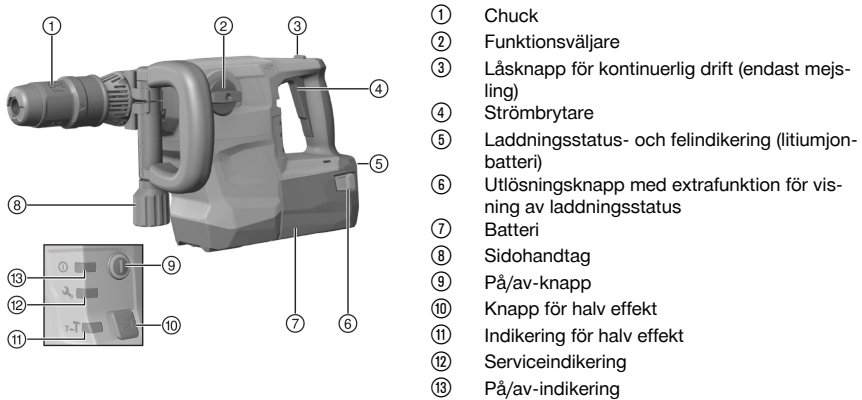
2.4 Omsorgsfull hantering och användning av batterier

- ▶ Observera de särskilda föreskrifterna för transport, förvaring och användning av litiumjonbatterier.
- ▶ Utsätt inte batterierna för höga temperaturer, direkt solljus eller eld.
- ▶ Batterier får inte tas isär, klämmas, upphettas till mer än 80 °C (176 °F) eller brännas upp.
- ▶ Använd eller ladda inte batterier som tagit emot slag, har fallit från över en meters höjd eller är skadade på något annat sätt. I sådana fall, kontakta **Hilti-service**.
- ▶ Om batteriet är så hett att du inte kan ta i det kan det vara defekt. Ställ batteriet på en plats där inget riskerar att fatta eld och på betryggande avstånd från brännbart material. Låt batteriet svalna. Om batteriet efter en timme fortfarande är så hett att det inte går att ta i är det defekt. Kontakta **Hilti-service**.



3 Beskrivning

3.1 Produktöversikt



- ① Chuck
- ② Funktionsväljare
- ③ Låsknapp för kontinuerlig drift (endast mejsling)
- ④ Strömbrytare
- ⑤ Laddningsstatus- och felindikering (litiumjonbatteri)
- ⑥ Utlösningsknapp med extrafunktion för visning av laddningsstatus
- ⑦ Batteri
- ⑧ Sidohandtag
- ⑨ På/av-knapp
- ⑩ Knapp för halv effekt
- ⑪ Indikering för halv effekt
- ⑫ Serviceindikering
- ⑬ På/av-indikering

3.2 Avsedd användning

Den produkt som beskrivs här är en batteridrivna mejselhammare med pneumatisk slagmekanism. Den är avsedd för lättare till medelsvåra mejslingsarbeten i tegel och för efterarbeten i betong.

- ▶ Använd endast **Hiltis** litiumjonbatterier av typ B 36 med produkten.
- ▶ Använd endast **Hilti** batteriladdare i C4/36-serien för dessa batterier.

3.2.1 Möjlig felanvändning

- Den här produkten är inte avsedd för bearbetning av hälsovådliga material.
- Den här produkten är inte avsedd att användas i fuktiga miljöer.

3.3 Active Vibration Reduction

Produkten är utrustad med ett Active Vibration Reduction (AVR)-system som märkbart minskar vibrationerna.

3.4 Serviceindikator

Produkten är utrustad med serviceindikering med ljussignal.

3.4.1 MMI

Status	Betydelse
Serviceindikeringen lyser.	Drifttiden för service har uppnåtts.
Serviceindikeringen blinkar.	Låt Hilti -service reparera produkten.
På/av-indikeringen lyser.	Produkten är tillkopplad
På/av-indikeringen blinkar.	Produkten stängdes av på grund av tillfälligt fel.
På/av-indikeringen är släckt.	Produkten är avstängd.
Indikering av halv effekt lyser.	Produkten körs nu med halv effekt.
Indikering av halv effekt är släckt.	Produkten körs nu med full effekt.

3.4.2 Indikering för litiumjonbatteriet

Litiumjonbatteriets laddningsstatus och störningar i verktyget signaleras via batteriets indikeringar. Tryck på en av litiumjonbatteriets låsknappar för att se batterinivån.

Status	Betydelse
4 lysdioder lyser.	Laddningsstatus: 75 % till 100 %
3 lysdioder lyser.	Laddningsstatus: 50 % till 75 %
2 lysdioder lyser.	Laddningsstatus: 25 % till 50 %



Status	Betydelse
1 lysdiod lyser.	Laddningsstatus: 10 % till 25 %
1 lysdiod blinkar.	Laddningsstatus: < 10 %
1 lysdiod blinkar, produkten är inte färdig att användas.	Batteriet är överhettat eller helt urladdat.
4 lysdioder blinkar, produkten är inte färdig att användas.	Verktyget är överlastat eller överhettat.



Det går inte att få reda på laddningsstatus när strömbrytaren är intryckt och i upp till fem sekunder efter det att strömbrytaren har släppts upp.

Läs anvisningarna i kapitlet Felsökning om lysdioderna för batteriindikering börjar blinka.

3.5 Leveransinnehåll

Mejselhammare, sidohandtag, bruksanvisning.

Dessutom finns fler godkända systemprodukter för din produkt både i närmaste **Hilti Store** och på nätet: www.hilti.group

4 Teknisk information

	TE 500-A36
Märkspänning	36 V
Vikt enligt EPTA-direktivet 01	7,9 kg
Enkelslagsenergi enligt EPTA Procedure 05	7,8 J
Chuck	TE-Y
Förvaringstemperatur	-20 °C ... 70 °C
Omgivningstemperatur vid drift	-17 °C ... 60 °C

4.1 Bullerinformation och vibrationsvärden enligt EN 62841

De ljudtrycks- och vibrationsvärden som anges i anvisningarna har uppmätts med en standardiserad mätmetod och kan användas för att jämföra olika elverktyg med varandra. De kan också användas för att göra en preliminär uppskattning av exponeringarna.

De angivna värdena representerar elverktygets huvudsakliga användning. När elverktyget begagnas inom andra områden, med andra insatsverktyg eller med otillräckligt underhåll, kan mätning ge avvikande värden. Det innebär att exponeringen under den totala arbetstiden kan ökas betydligt.

För att uppskattningen av exponeringarna ska bli exakt bör man också räkna in de tider då elverktyget är avstängt eller då det är påslaget men inte används. Det kan betydligt minska exponeringen under den totala arbetstiden.

Vidta även andra säkerhetsåtgärder för att skydda användaren mot effekterna av buller och vibrationer, exempelvis: underhåll av elverktyg och insatsverktyg, möjlighet att hålla händerna varma, välorganiserade arbetsförlopp.

Bullervärden enligt EN 62841

	TE 500-A36
Ljudtrycksnivå (LpA)	91 dB
Osäkerhet ljudtrycksnivå (KpA)	3 dB
Ljudeffektnivå (LWA)	102 dB
Osäkerhet ljudeffektnivå (KWA)	3 dB

Totalt vibrationsvärde enligt EN 62841

		TE 500-A36
Mejsling i betong ($a_{h, Cheq}$)	B 36/5.2	7,9 m/s ²
	B 36/9.0	7,4 m/s ²
Osäkerhet (K)		1,5 m/s ²



5 Batteri

Batteriets driftspänning	36 V
Omgivningstemperatur vid drift	-17 °C ... 60 °C
Förvaringstemperatur	-20 °C ... 40 °C
Batteritemperatur när laddningen påbörjas	-10 °C ... 45 °C

6 Användning

6.1 Arbetsförberedelser



Stäng av produkten eller ta ur batteriet innan du gör inställningar eller byter tillbehör.

Observera de säkerhets- och varningsanvisningar som du hittar i dokumentationen och på själva enheten.

6.1.1 Sätta i batteriet



VARNING

Risk för personskada på grund av kortslutning eller nedfallande batteri!

- ▶ Kontrollera innan du sätter in batteriet i produkten att både batteriets och produktens kontakter är fria från smuts och andra hinder.
 - ▶ Säkerställ att batteriet alltid hakar i ordentligt.
1. Ladda batterierna helt innan de används första gången.
 2. Skjut in batteriet i produkten tills det hakar i med ett klick.
 3. Kontrollera att batteriet sitter stadigt.

6.1.2 Ta ur batteri

1. Tryck in batteriets spärrar.
2. Ta ut batteriet ur verktyget.

6.1.3 Laddning av batteri

1. Läs batteriladdarens bruksanvisning innan du laddar batteriet.
2. Se till att batteriets och batteriladdarens sladdar är rena och torra.
3. Ladda batteriet i en godkänd batteriladdare. → Sidan 29

6.1.4 Montera sidohandtaget



FÖRSIKTIGHET

Risk för personskada Förlust av kontroll över mejselhammaren.

- ▶ Kontrollera att sidohandtaget är korrekt monterat och ordentligt fastsatt.
1. Stäng av verktyget.
 2. Vrid på handtaget för att lossa sidohandtagsfästet (spännbandet).
 3. Skjut fästet framifrån över chucken tills det går i det därför avsedda spåret.
 4. Placera sidohandtaget i önskat läge.
 5. Vrid på handtaget för att spänna fast sidohandtagsfästet (spännbandet).

6.1.5 Ställa in effekt



När batteriet har satts i är produkten alltid inställd på full effekt.

1. Tryck på knappen "halv effekt". Produkten ställs in på halv effekt.
 - ▶ Indikeringen för halv effekt lyser.
2. Tryck på knappen "halv effekt" igen. Produkten ställs in på full effekt.
 - ▶ Indikeringen för halv effekt slocknar.



6.1.6 Sätta i eller ta ur insatsverktyg

FARA

Brandfara Fara vid kontakt mellan det heta verktyget och lättantändliga material.

- ▶ Ställ inte det heta verktyget på lättantändligt material.

VARNING

Risk för personskada Verktöget blir varmt när det används.

- ▶ Använd skyddshandskar vid verktygsbyte.



Användning av olämpligt fett kan orsaka skador på produkten. **Använd endast originalfett från Hilti.**

1. Fetta in insticksändan på insatsverktyget en aning.
 - ▶ Använd endast originalfett från **Hilti**. Felaktigt fett kan orsaka skador på produkten.
2. Ställ funktionsväljaren i läget "mejsling" **T**.
3. Stick in insatsverktyget i chucken så att det går i lås.
4. Dra i verktyget efter isättningen för att kontrollera att det sitter ordentligt fast.
 - ▶ Nu är produkten färdig att användas.
5. Dra chuckhylsan tillbaka till anslag och ta ut insatsverktyget.

6.2 Arbeta

FÖRSIKTIGHET

Risk för personskada Förlust av kontroll över mejselhammaren.

- ▶ Kontrollera att sidohandtaget är korrekt monterat och ordentligt fastsatt.

Observera de säkerhets- och varningsanvisningar som du hittar i dokumentationen och på själva enheten.

6.3 Mejselpositionering

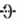
FÖRSIKTIGHET

Risk för personskada! Förlust av kontrollen över mejslingsriktningen.

- ▶ Arbeta inte i läget för positionering av mejseln. Ställ funktionsväljaren i läget "mejsling" så att den snäpper fast där.



Mejseln kan låsas fast i 24 olika lägen (i steg om 15°). Därigenom kan man alltid hitta en optimal arbetsställning vid arbete med flat- eller formmejsel.

1. Stäng av verktyget.
2. Ställ funktionsväljaren i läget "mejselpositionering" .
3. Vrid mejseln till önskat läge.
4. Ställ funktionsväljaren på den här symbolen: **T**, tills den går i lås.
 - ▶ Nu är produkten färdig att användas.

6.3.1 Mejsling

- ▶ Ställ funktionsväljaren i läget "mejsling" **T**.



Håll alltid i produkten med båda händerna. Håll produkten ren och fri från olja och fett.



Lägg inte ifrån dig den varma produkten på antändliga material efter avslutat arbete. Dessa riskerar att antändas.



6.3.2 Koppla till/från kontinuerlig drift 5



Medan mejslingen pågår kan du låsa fast strömbrytaren i intryckt läge.

1. För låsknappen för kontinuerlig drift framåt.
2. Tryck in strömbrytaren helt.
 - ▶ Produkten körs nu med kontinuerlig drift.
3. Dra låsknappen för kontinuerlig drift bakåt.
 - ▶ Produkten stängs av.

7 Skötsel och underhåll



VARNING

Risk för personskada vid anslutet batteri !

- ▶ Ta alltid bort batteriet innan skötsel och underhåll utförs!

Skötsel av produkten

- Ta försiktigt bort smuts som sitter fast.
- Rengör ventilationsspringorna försiktigt med en torr och mjuk borste i förekommande fall.
- Rengör höljet bara med en lätt fuktad trasa. Använd inte rengöringsmedel med silikon, eftersom det kan skada plastdelarna.
- Använd en ren och torr trasa för att rengöra produktens kontakter.

Skötsel av litiumjonbatterier

- Använd aldrig ett batteri med tilltäppta ventilationsspringor. Rengör ventilationsspringorna försiktigt med en torr och mjuk borste.
- Undvik att utsätta batteriet för onödigt mycket damm eller smuts. Utsätt aldrig batteriet för hög fukt (t.ex. genom att sänka ner det i vatten eller låta det stå i regnet).
Om ett batteri har blivit genomblött ska det hanteras som ett skadat batteri. Förvara det i en brandsäker behållare och kontakta **Hilti**-service.
- Håll batteriet fritt från främmande olja och fett. Låt inte onödigt mycket damm eller smuts ansamlas på batteriet. Rengör batteriet med en mjuk borste eller en ren och torr trasa. Använd inte rengöringsmedel med silikon, eftersom det kan skada plastdelarna.
Rör inte vid batteriets kontakter och ta inte bort fett på kontaktarna som har applicerats i fabriken.
- Rengör höljet bara med en lätt fuktad trasa. Använd inte rengöringsmedel med silikon, eftersom det kan skada plastdelarna.

Underhåll

- Kontrollera regelbundet att inga synliga delar har skadats och att alla reglage fungerar som de ska.
- Använd inte produkten om den uppvisar skador eller funktionsstörningar. Låt **Hilti Service** reparera produkten omgående.
- Efter skötsel- och underhållsarbeten ska alla skyddsanordningar monteras igen och kontrolleras.



Använd endast originalreservdelar och förbrukningsmaterial för säker drift. Godkända reservdelar, förbrukningsmaterial och tillbehör till din produkt från **Hilti** hittar du i närmaste **Hilti Store** eller på: www.hilti.group

8 Transport och förvaring av sladdlösa verktyg och batterier

Transport



FÖRSIKTIGHET

Oavsiktlig start under transport. !

- ▶ Transportera alltid produkten utan insatta batterier.
- ▶ Ta ut batteriet/batterierna.
- ▶ Transportera aldrig batterierna löst liggande. Under transport ska batterierna skyddas mot alltför hårda stötar och vibrationer samt hållas isolerade från eventuella ledande material eller andra batterier så att de inte kommer i kontakt med andra batteripoler och orsakar en kortslutning. **Observera lokala transportföreskrifter för batterier.**



- ▶ Batterier får inte skickas per post. Vänd dig till ett fraktbolag om du vill skicka intakta batterier.
- ▶ Kontrollera produkt och batterier före varje användning samt före och efter längre transport för att se till att de inte är skadade.

Förvaring

VARNING

Oavsiktlig skada på grund av trasiga eller läckande batterier. !

- ▶ Förvara alltid produkten utan insatta batterier.
- ▶ Förvara produkt och batterier svalt och torrt. Följ de temperaturlänkarvärden som anges i den tekniska informationen.
- ▶ Förvara inte batterierna i batteriladdaren. Ta alltid ur batteriet ur laddaren när laddningen är klar.
- ▶ Förvara aldrig batterier i solen, på värmekällor eller bakom glas.
- ▶ Förvara produkt och batteri utom räckhåll för barn och obehöriga personer.
- ▶ Kontrollera produkt och batterier före varje användning samt före och efter längre tids förvaring för att se till att de inte är skadade.

9 Felsökning

Kontakta **Hilti Service** om det uppstår ett fel som inte finns med i den här tabellen eller som du inte lyckas åtgärda på egen hand.

9.1 Felsökning

Fel	Möjlig orsak	Lösning
Inget slag.	Produkten är för kall.	▶ Placera produkten på underlaget och låt den gå på tomgång. Upprepa detta om så krävs, tills slagmekanismen kommer igång.
Batteriet laddas ur fortare än vanligt.	Batteriet fungerar inte optimalt.	▶ Byt ut batteriet.
Batteriet hakar inte i med ett hörbart "dubbelklick".	Batteriets låsmekanism är smutsig.	▶ Rengör låsmekanismen och sätt i batteriet igen.
Produkten stängs automatiskt av.	Överlastskyddet är aktivt.	På/av-indikeringen blinkar. ▶ Släpp strömbrytaren. Låt verktyget svalna. Tryck på strömbrytaren igen. Minska verktygsbelastningen.
Kraftig värmeutveckling i produkten eller batteriet.	Elektriskt fel.	▶ Stäng genast av produkten. Ta bort batteriet och granska det. Låt det svalna. Kontakta Hilti-service .
	Produkten är överbelastad (applikationsgränsen har överskridits).	▶ Välj en produkt som passar för uppgiften.
Lysdioderna på batteriet visar inget.	Batteriet har inte satts in helt.	▶ Sätt in batteriet så att ett dubbelklick hörs.
	Batteriet är urladdat.	▶ Byt batteri och ladda det tomma batteriet.
	Batteriet för varmt eller för kallt.	▶ Låt batteriet få rekommenderad arbetstemperatur.
1 lysdiod blinkar på batteriet.	Batteriet är urladdat.	▶ Byt batteri och ladda det tomma batteriet.
	Batteriet för varmt eller för kallt.	▶ Låt batteriet få rekommenderad arbetstemperatur.
4 lysdioder blinkar på batteriet.	Produkten är tillfälligt överbelastad.	▶ Släpp strömbrytaren och tryck in den igen.



Fel	Möjlig orsak	Lösning
4 lysdioder blinkar på batteriet.	Överhettningsskydd.	► Låt produkten svalna och rengör ventilasjonsspringorna.
Produkten har inte full effekt.	Strömbrytaren är inte helt intryckt.	► Tryck på strömbrytaren tills den är helt intryckt.
	Knappen för halv effekt har tryckts in.	► Tryck på knappen för halv effekt.
Det går inte att ta ut insatsverktøyet ur chucken.	Chucken har ikke dragits tilbake helt.	► Dra chuckhylsan tilbake till anslag och ta ut verktøyet.
	Sidohandtaget är ej korrekt monterat.	► Lossa sidohandtaget och montera det på korrekt sätt så att spennbandet och sidohandtaget hakar i fördjupningen.
Produkten startar inte.	Den elektroniska startspärren efter strömavbrott har aktiverats.	► Stäng av produkten och slå sedan på den igen.
Serviceindikatorn lyser.	Tidsgränsen för service har uppnåtts.	► Låt Hilti -service reparera produkten.
Serviceindikatorn blinkar.	Skador på produkten.	► Låt Hilti -service reparera produkten.
På/av-indikeringen blinkar.	Produkten är tillfälligt överbelastad.	► Slåpp strömbrytaren och tryck in den igen.
	Överhettningsskydd.	► Låt produkten svalna og rengör ventilasjonsspringorna.

10 Avfallshandtering

Hilti-verktøyer er for stor del tillverkede av återvinningsbara material. En förutsättning för återvinning är att materialen separeras på rätt sätt. I många länder kan du lämna in ditt uttjänta verktøyer så att **Hilti** tar hand om det. Hör efter med **Hilti**s kundtjänst eller din kontaktperson.



- Kasta inte elverktøyer, elektronisk apparatur og batterier i hushållssoporna.

11 RoHS (föreskrifter för begränsning av användningen av farliga ämnen)

Använd den här länken för att komma till tabellen över farliga ämnen: qr.hilti.com/r10130182.
En länk till RoHS-tabellen hittar du i slutet på det här dokumentet i form av en QR-kod.

12 Tillverkargaranti

- Vänd dig till din lokala **Hilti**-representant om du har frågor om garantivillkoren.

Original bruksanvisning

1 Informasjon om bruksanvisningen

1.1 Om denne bruksanvisningen

- Det er viktig at bruksanvisningen leses før produktet brukes for første gang. Dette er en forutsetning for sikkerhet under arbeidet og problemfritt bruk.
- Følg sikkerhetsanvisningene og advarslene i denne bruksanvisningen og på produktet.
- Oppbevar alltid bruksanvisningen sammen med produktet, og sørg for at bruksanvisningen alltid følger med hvis produktet overtas av andre personer.



1.2 Symbolforklaring

1.2.1 Farehenvisninger

Farehenvisninger advarer mot farer under håndtering av produktet. Følgende signalord brukes:

FARE

FARE !

- For en umiddelbart truende fare som kan føre til alvorlige personskader eller død.

ADVARSEL

ADVARSEL !

- Varsler en mulig fare som kan føre til alvorlige personskader eller død.

FORSIKTIG

FORSIKTIG !

- Varsler om en mulig farlig situasjon som kan føre til personskade eller materiell skade.

1.2.2 Symboler i bruksanvisningen

Følgende symboler benyttes i denne bruksanvisningen:

	Følg bruksanvisningen
	Bruksanvisninger og andre nyttige opplysninger
	Håndtering av resirkulerbare materialer
	Ikke kast elektriske apparater eller batterier i husholdningsavfallet
	Hilti li-Ion-batteri
	Hilti Lader

1.2.3 Symboler i illustrasjoner

Følgende symboler brukes i illustrasjonene:

	Disse tallene viser til illustrasjonen i begynnelsen av denne bruksanvisningen.
	Nummereringen i illustrasjoner henviser til viktige arbeidstrinn eller viktige komponenter for arbeidstrinnene. I teksten i blir disse arbeidstrinnene eller komponentene markert med tilhørende numre, f.eks. (3).
	Posisjonsnumrene brukes i illustrasjonen Oversikt og henviser til numrene på teksten i avsnittet Produktoversikt .
	Dette symbolet betyr at håndtering av produktet krever stor grad av oppmerksomhet.

1.3 Produktavhengige symboler

1.3.1 Symboler på produktet

Følgende symboler kan forekomme på produktet:

	Meisling
	Plassere meiselen
	Serviceindikator
	Diameter
	Nominelt tomgangsturtall



/min	Omdreiningar per minutt
	Likestrøm
	Produktet støtter trådløs dataoverføring som er kompatibel med iOS- og Android-plattformer.
Li-Ion	Li-ion-batteri
	Benytt Hilti li-ion-batteriserie. Følg anvisningene i kapitlet Forskriftsmessig bruk .
	Bruk aldri batteriet som slagverktøy.
	Ikke mist ned batteriet. Ikke bruk et batteri som har vært utsatt for støt eller er skadet på annen måte.

1.4 Slå på/av

Symboler

	Produktet er slått på
	Produktet er slått av

1.5 Produktinformasjon

HILTI-produkter er laget for profesjonell bruk og må kun brukes, vedlikeholdes og repareres av kyndig personale. Dette personalet må informeres om eventuelle farer som kan oppstå. Produktet og tilleggsutstyret kan utgjøre en fare hvis det betjenes av ukvalifisert personale eller det benyttes feil.

Typebetegnelse og serienummer står på typeskiltet.

- ▶ Skriv inn serienummeret i tabellen nedenfor. Du trenger produktspesifikasjonene ved henvendelser til Hiltis representant eller servicesenter.

Produktspesifikasjoner

Meiselhammer	TE 500-A36
Generasjon	04
Serienummer	

1.6 Samsvarserklæring

Vi erklærer herved at produktet som er beskrevet her, er i samsvar med gjeldende normer og direktiver. Du finner et bilde av samsvarserklæringen på slutten av denne dokumentasjonen.

Den tekniske dokumentasjonen er lagret her:

Hilti Entwicklungsgesellschaft mbH | Zulassung Geräte | Hiltistraße 6 | 86916 Kaufering, DE

2 Sikkerhet

2.1 Generelle sikkerhetsregler for elektroverktøy

⚠ ADVARSEL Les alle sikkerhetsanvisninger, instruksjer, illustrasjoner og tekniske data som elektroverktøyet er utstyrt med. Manglende overholdelse av anvisningene nedenfor kan medføre elektrisk støt, brann og/eller alvorlige personskader.

Overhold alle sikkerhetsanvisninger og instruksjoner i hele bruksperioden.

Begrepet "elektroverktøy" som er brukt i sikkerhetsanvisningene, viser til nettdrevne elektroverktøy (med nettkabel) eller til batteridrevne elektroverktøy (uten nettkabel).

Sikkerhet på arbeidsplassen

- ▶ **Hold arbeidsområdet rent og godt opplyst.** Rotete eller dårlig belyste arbeidsområder kan føre til ulykker.
- ▶ **Bruk ikke elektroverktøyet i eksplosjonsfarlige omgivelser hvor det befinner seg brennbare flytende stoffer, gasser eller støv.** Elektroverktøy lager gnister som kan antenne støv eller damp.



- ▶ **Hold barn og andre personer på sikker avstand mens elektroverktøyet brukes.** Hvis du blir forstyrret under arbeidet, kan du miste kontrollen over verktøyet.

Elektrisk sikkerhet

- ▶ **Elektroverktøyets støpsel må passe i stikkkontakten. Støpselet må ikke forandres på noen som helst måte. Bruk ikke adapterkontakt på jordete elektroverktøy.** Uendrede støpsler og egnede stikkontakter minsker risikoen for elektrisk støt.
- ▶ **Unngå kroppskontakt med jordete overflater som rør, radiatorer, komfyrer eller kjøleskap.** Risikoen for elektriske støt er høyere når kroppen er jordet.
- ▶ **Hold elektroverktøyet unna regn og fuktighet.** Risikoen for elektrisk støt øker ved inntrenging av vann i et elektroverktøy.
- ▶ **Bruk ikke ledningen til å bære elektroverktøyet, henge det opp eller til å dra støpselet ut av stikkkontakten. Hold ledningen unna varme, olje, skarpe kanter og deler som beveger seg.** Skadde eller sammenviklede ledninger øker risikoen for elektriske støt.
- ▶ **Bruk kun skjøteledninger som også er godkjent for utendørs bruk når du arbeider med et elektroverktøy utendørs.** Bruk av skjøteledning som er egnet til utendørs bruk, minsker risikoen for elektrisk støt.
- ▶ **Må elektroverktøyet brukes i fuktige omgivelser, er det nødvendig å bruke en jordfeilbryter.** Bruk av en jordfeilbryter reduserer risikoen for elektrisk støt.

Personsikkerhet

- ▶ **Vær oppmerksom, pass på hva du gjør, og gå fornuftig fram under arbeidet med et elektroverktøy. Ikke bruk elektroverktøy når du er trøtt eller påvirket av narkotika, alkohol eller medikamenter.** Et øyeblikks uoppmerksomhet ved bruk av elektroverktøyet kan være nok til å forårsake alvorlige personskader.
- ▶ **Bruk alltid personlig verneutstyr og vernebriller.** Bruk av personlig verneutstyr som støvmaske, sklisikre vernesko, hjelm eller hørselsvern – avhengig av type og bruk av elektroverktøyet – reduserer risikoen for skader.
- ▶ **Unngå utilsiktet start. Forsikre deg om at elektroverktøyet er slått av før du setter i stikkkontakten eller batteriet og før du løfter eller flytter elektroverktøyet.** Hvis du holder fingeren på bryteren når du bærer elektroverktøyet, eller kobler elektroverktøyet til strøm i innkoblet tilstand, kan dette føre til uhell.
- ▶ **Fjern justeringsverktøy og skrunøkkel før du slår på elektroverktøyet.** Et verktøy eller en nøkkel som befinner seg i en roterende maskindel, kan føre til skader.
- ▶ **Unngå uhensiktsmessige arbeidsposisjoner. Sørg for å stå stødig og i balanse.** Dermed kan du kontrollere elektroverktøyet bedre i uventede situasjoner.
- ▶ **Bruk egnede klær. Ikke bruk vide klær eller smykker. Hold hår, tøy og hansker unna deler som beveger seg.** Løstsittende tøy, smykker eller langt hår kan komme inn i deler som beveger seg.
- ▶ **Hvis det er montert støvavsugs- og oppsamlingsinnretninger, må det kontrolleres at disse er koblet til og blir brukt på riktig måte.** Bruk av støvavsug kan redusere faremomentene i forbindelse med støv.
- ▶ **Ikke føl deg for trygg og ikke bryt sikkerhetsreglene for elektroverktøy, heller ikke når du etter lang tids bruk er blitt fortrolig med elektroverktøyet.** Et øyeblikks uaktsomhet kan føre til alvorlige personskader.

Bruk og behandling av elektroverktøyet

- ▶ **Ikke overbelast verktøyet. Bruk et elektroverktøy som er beregnet til den type arbeid du vil utføre.** Med et passende elektroverktøy arbeider du bedre og sikrer i det angitte effektområdet.
- ▶ **Ikke bruk elektroverktøy med defekt bryter.** Et elektroverktøy som ikke lenger kan slås av eller på, er farlig og må repareres.
- ▶ **Dra ut støpselet fra stikkkontakten og/eller ta ut et uttakbart batteri før du foretar maskininnstillinger, bytter tilleggsutstyr eller legger bort verktøyet.** Disse tiltakene forhindrer utilsiktet start av elektroverktøyet.
- ▶ **Oppbevar elektroverktøy som ikke brukes, utenfor barns rekkevidde. La ikke personer som ikke er fortrolige med verktøyet eller ikke har lest disse instruksjonene, bruke verktøyet.** Elektroverktøy er farlige når de brukes av uerfarne personer.
- ▶ **Sørg for grundig stell og vedlikehold av elektroverktøyet med tilbehør. Kontroller at bevegelige deler på elektroverktøyet fungerer feilfritt og ikke klemmes fast, og at ingen deler er brukt eller skadet, slik at dette innvirker på elektroverktøyets funksjon. La skadde deler repareres før elektroverktøyet brukes.** Mange ulykker er et resultat av dårlig vedlikeholdte elektroverktøy.
- ▶ **Hold skjæreverktøy skarpe og rene.** Godt vedlikeholdte skjæreverktøy med skarpe skjærekanten blir sjeldnere fastklemt og er lettere å styre.



- ▶ **Bruk elektroverktøy, tilbehør, arbeidsverktøy osv. i overensstemmelse med denne anvisningen.** Ta hensyn til arbeidsforholdene og arbeidet som skal utføres. Bruk av elektroverktøy til andre formål enn det som er angitt, kan føre til farlige situasjoner.
- ▶ **Hold håndtak og gripeflater tørre, rene og frie for olje og fett.** Glatte håndtak og gripeflater gir ikke sikker betjening og kontroll av elektroverktøyet i uforutsette situasjoner.

Bruk og behandling av det batteridrevne elektroverktøyet

- ▶ **Bruk kun ladere som er anbefalt av produsenten når du skal lade batteriene.** Det oppstår brannfare når det brukes andre batterier i en lader enn dem laderen er egnet for.
- ▶ **Bruk bare batterier som er beregnet for de forskjellige elektroverktøyene.** Bruk av andre batterier kan medføre skader og brannfare.
- ▶ **Unngå å oppbevare ubrukte batterier i nærheten av binders, mynter, nøkler, nagler, skruer eller andre små metallgjenstander som kan forårsake kortslutning av kontakten.** En kortslutning mellom batterikontaktene kan føre til forbrenninger eller brann.
- ▶ **Ved feil bruk kan væske lekke fra batteriet. Unngå kontakt med denne væsken. Ved tilfeldig kontakt må det skylles med vann. Hvis det kommer væske i øynene, må du i tillegg oppsøke lege.** Batterivæske som renner ut, kan føre til iritasjoner på huden eller forbrenninger.
- ▶ **Ikke bruk batterier som er skadde eller modifiserte.** Skadde eller modifiserte batterier kan oppføre seg uforutsigbart og forårsake brann, eksplosjon eller personskade.
- ▶ **Ikke utsett batteriet for åpen ild eller høye temperaturer.** Ild eller temperaturer over 130 °C (265 °F) kan forårsake eksplosjon.
- ▶ **Følg alle anvisningene for lading, og lad aldri batteriet eller det batteridrevne verktøyet utenfor temperaturområdet som er angitt i bruksanvisningen.** Feil lading eller lading utenfor det tillatte temperaturområdet kan ødelegge batteriet og øke brannfaren.

Service

- ▶ **Elektroverktøyet må kun repareres av kvalifisert fagpersonale og kun med originale reservedeler.** Slik opprettholdes maskinens sikkerhet.
- ▶ **Vedlikehold ikke skadde batterier.** Alt vedlikehold på batterier skal utføres av produsenten eller et godkjent serviceverksted.

2.2 Sikkerhetsanvisninger for borhammere

Sikkerhetsanvisninger for alt arbeid

- ▶ **Bruk hørselsvern.** Påvirkning av støy kan føre til hørselstap.
- ▶ **Bruk håndtakene som leveres med maskinen.** Tap av kontroll kan føre til skader.
- ▶ **Hold maskinen i de isolerte håndtakene når du utfører arbeid der verktøyet kan komme i kontakt med elektriske ledninger.** Kontakt med en spenningsførende ledning kan også sette maskinens metalldele under spenning og føre til elektrisk støt.

2.3 Ekstra sikkerhetsanvisninger for meiselhammer

Personsikkerhet

- ▶ Bruk produktet og tilbehøret bare i teknisk feilfri stand.
- ▶ Ikke foreta manipulering eller endring av produktet eller tilbehør.
- ▶ Sørg for at du står støtt ved meisling i tak, vegger og gulv. Du kan miste balansen ved et plutselig gjennombrudd!
- ▶ Ved gjennombruddsarbeider må området på den andre siden sikres. Deler som brytes ut, kan falle ut og/eller ned og skade andre personer.
- ▶ Ved bruk må du og andre personer i nærheten alltid bruke egnede vernebriller, vernehjelm, hørselsvern og en lett ansiktsmaske.
- ▶ Bruk vernehansker ved skifte av verktøy. Berøring av innsatsverktøyet kan føre til kuttskader og forbrenninger.
- ▶ Bruk øyevern. Splintret materiale kan skade kroppen og øynene.
- ▶ Støv som oppstår ved sliping, smergling, kapping og boring kan inneholde farlige kjemikalier. Noen eksempler er: bly eller blybasert maling; tegl, betong og andre murverksprodukter, naturstein og andre silikatholdige produkter; bestemt tresorter, slik som eik, bøk og kjemisk behandlet trevirke; asbest eller asbestholdige materialer. Kartlegg hvor eksponert brukeren og personer i nærheten er ved hjelp av fareklassen til materialene som det arbeides med. Treff nødvendige tiltak for å holde eksponeringen på et trygt nivå, f.eks. ved å bruke et støvoppsamlingsystem eller egnet åndedrettsvern. Til de generelle tiltakene for å redusere eksponeringen hører:
 - ▶ arbeid i et godt ventilert område,



- ▶ unngå langvarig kontakt med støv,
 - ▶ led bort støv fra ansikt og kropp,
 - ▶ bruk verneutstyr og vask eksponerte områder med vann og såpe.
- ▶ Ta hyppige pauser og gjør øvelser for å øke blodgjennomstrømningen i fingrene. Ved langvarig arbeid kan kraftige vibrasjoner føre til forstyrrelser i blodkar eller nervesystemet i fingre, hender eller håndledd.

Elektrisk sikkerhet

- ▶ Kontroller før arbeidet påbegynnes at det ikke finnes skjulte strø姆ledninger, gass- eller vannrør i arbeidsområdet. Utvendige metalldeleer på produktet kan forårsake elektrisk støt eller en eksplosjon dersom du skader en strø姆ledning, et gass- eller vannrør.

Forsiktig behandling og bruk av elektroverktøy

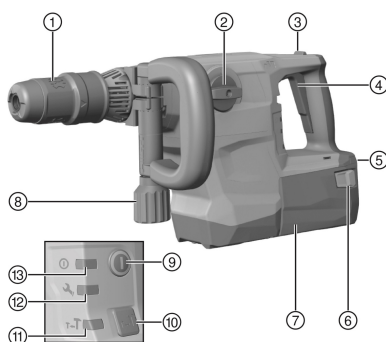
- ▶ Vent til produktet har stanset helt før du legger det fra deg.

2.4 Aktsom håndtering og bruk av batterier

- ▶ Ta hensyn til spesielle retningslinjer for transport, lagring og bruk av Li-Ion-batterier.
- ▶ Hold batteriene unna høye temperaturer, direkte solskinn og åpen ild.
- ▶ Batteriene må ikke tas fra hverandre, klemmes, varmes opp over 80 °C (176 °F) eller brennes.
- ▶ Ikke bruk eller lad opp batterier som har fått et støt, har falt ned over en meter eller er skadet på annen måte. Kontakt i slike tilfeller alltid **Hilti service**.
- ▶ Hvis batteriet er for varmt til å ta i, kan det være defekt. Plasser batteriet på et synlig, ikke brennbar sted med tilstrekkelig avstand til brennbare materialer. La batteriet avkjøles. Hvis batteriet fremdeles er for varmt til å ta i etter en time, er det defekt. Kontakt **Hilti service**.

3 Beskrivelse

3.1 Produktoversikt



- ① Chuck
- ② Funksjonsvelger
- ③ Låseknapp for kontinuerlig drift (bare meisling)
- ④ Kontrollbryter
- ⑤ Lade- og feilindikator (Li-Ion-batteri)
- ⑥ Utløserknapper med tilleggfunksjon for aktivering av ladenivåindikator
- ⑦ Batteri
- ⑧ Sidehåndtak
- ⑨ Av/på-bryter
- ⑩ Bryter for halv ytelse
- ⑪ Indikator for halv ytelse
- ⑫ Serviceindikator
- ⑬ Av/på-indikator

3.2 Forskriftsmessig bruk

Det beskrevne produktet er en batteridrevet meiselhammer med pneumatisk slagmekanisme. Produktet er beregnet for lett til middels tung meisling i mur og etterarbeid i betong.

- ▶ Til dette produktet må det bare brukes **Hilti** Li-Ion-batterier i serien B 36.
- ▶ Bruk bare **Hilti**-laderne i C4/36-serien til disse batteriene.

3.2.1 Mulig feilbruk

- Dette produktet er ikke beregnet til arbeid med helsefarlige materialer.
- Dette produktet er ikke beregnet til arbeid i fuktige omgivelser.

3.3 Active Vibration Reduction

Produktet er utstyrt med et Active Vibration Reduction (AVR)-system som reduserer vibrasjonen merkbart.



3.4 Serviceindikator

Produktet er utstyrt med en serviceindikator med lyssignal.

3.4.1 MMI

Tilstand	Betydning
Serviceindikator lyser.	Maskinens driftstid før en service er nådd.
Serviceindikator blinker.	Få produktet reparert av Hilti service.
Av/på-indikator lyser.	Produktet er slått på
Av/på-indikator blinker.	Produktet er slått av på grunn av en midlertidig feil.
Av/på-indikator er av.	Produktet er slått av.
Indikatoren for halv ytelse lyser.	Produktet arbeider med halv ytelse.
Indikatoren halv ytelse er av.	Produktet arbeider med full ytelse.

3.4.2 Indikator for Li-Ion-batteriet

Ladenivået for Li-Ion-batteriet og feil på maskinen varsles via indikatoren på Li-Ion-batteriet. Ladenivået for Li-Ion-batteriet vises når du trykker på en av låseknappene for batteriet.

Tilstand	Betydning
4 LED-er lyser.	Ladenivå: 75 % til 100 %
3 LED-er lyser.	Ladenivå: 50 % til 75 %
2 LED-er lyser.	Ladenivå: 25 % til 50 %
1 LED lyser.	Ladenivå: 10 % til 25 %
1 LED blinker.	Ladenivå: < 10 %
1 LED blinker, produktet er ikke klart til bruk.	Batteriet er overopphetet eller helt utladet.
4 LED-er blinker, produkt er ikke klart til bruk.	Maskinen er overbelastet eller overopphetet.



Når du trykker på kontrollbryteren og inntil 5 sekunder etter at du har sluppet kontrollbryteren, er det ikke mulig å sjekke ladenivået.

Ved blinkende LED-er på batteriets indikator må du følge henvisningene i kapitlet Feilsøking.

3.5 Følgende inngår i leveransen:

meiselhammer, sidehåndtak, bruksanvisning.

I tillegg finner du godkjente systemprodukter til produktet hos nærmeste **Hilti Store** eller under: www.hilti.group

4 Tekniske data

	TE 500-A36
Merkespenning	36 V
Vekt i henhold til EPTA-prosedyre 01	7,9 kg
Enkeltlagenergi ifølge EPTA-prosedyre 05	7,8 J
Chuck	TE-Y
Lagringstemperatur	-20 °C ... 70 °C
Omgivelsestemperatur under drift	-17 °C ... 60 °C

4.1 Støyinformasjon og vibrasjonsverdier iht. EN 62841

Lydtrykk- og vibrasjonsverdiene som er angitt i denne bruksanvisningen, er målt i samsvar med en normert målemetode og kan brukes til sammenligning av elektroverktøy. De egner seg også til en foreløpig vurdering av eksponeringene.

De angitte dataene representerer de viktigste bruksområdene for elektroverktøyet. Men hvis elektroverktøyet brukes til andre formål, med avvikende innsatsverktøy eller med utilstrekkelig vedlikehold, kan dataene avvike. Dette kan øke eksponeringene betraktelig gjennom hele arbeidsperioden.



For å få en nøyaktig vurdering av eksponeringene må man også ta hensyn til tidsrommene da elektroverktøyet er slått av eller er i gang, men ikke i bruk. Dette kan redusere eksponeringene betraktelig gjennom hele arbeidsperioden.

Fastsett ekstra sikkerhetstiltak for å beskytte operatøren mot effekten av støy og/eller vibrasjoner, for eksempel: Vedlikehold av elektroverktøy og innsatsverktøy, holde hendene varme, organisering av arbeidsprosesser.

Støyutslipsverdier iht. EN 62841

	TE 500-A36
Lydtrykknivå (LpA)	91 dB
Usikkerhet lydtrykknivå (KpA)	3 dB
Lydeffektnivå (LWA)	102 dB
Usikkerhet lydeffektnivå (KWA)	3 dB

Totale vibrasjonsverdier i henhold til EN 62841

		TE 500-A36
Meisling i betong ($a_{h, Cheq}$)	B 36/5.2	7,9 m/s ²
	B 36/9.0	7,4 m/s ²
Usikkerhet (K)		1,5 m/s ²

5 Batteri

Batteriets driftsspenning	36 V
Omgivelsestemperatur under drift	-17 °C ... 60 °C
Lagringstemperatur	-20 °C ... 40 °C
Batteritemperatur ved ladestart	-10 °C ... 45 °C

6 Betjening

6.1 Klargjøring til arbeidet



Slå av produktet eller fjern batteriet før du foretar maskininnstillinger eller skifter tilbehørsdeler.

Følg sikkerhetsanvisningene og advarslene i denne dokumentasjonen og på produktet.

6.1.1 Sette i batteri



Fare for personskader på grunn av kortslutning eller ved at batteriet faller ned!

- ▶ Forsikre deg om at det ikke er fremmedlegemer ved kontaktene på batteriet og kontaktene på produktet før du setter batteriet inn i maskinen.
- ▶ Kontroller at batteriet alltid går riktig i inngrep.

1. Lad batteriet helt opp før første gangs bruk.
2. Skyv batteriet inn i produktet til det klikker hørbart på plass.
3. Kontroller at batteriet sitter godt fast.

6.1.2 Ta ut batteriet

1. Trykk på låseknappene til batteriet.
2. Trekk batteriet ut av maskinen.

6.1.3 Lade batteriet

1. Les bruksanvisningen for laderen før lading.
2. Kontaktene på batteriet og laderen må være rene og tørre.
3. Lad opp batteriet i en godkjent lader. → Side 40



6.1.4 Montere sidehåndtak

FORSIKTIG

Fare for personskader Tap av kontroll over meiselhammeren.

- ▶ Kontroller at sidehåndtaket er riktig montert og forskriftsmessig festet.

1. Slå av maskinen.
2. Vri på håndtaket for å løsne holderen (klemmen) på sidehåndtaket.
3. Skyv holderen (klemmen) forfra over chucked til kilesporet som er beregnet til dette.
4. Plasser sidehåndtaket i ønsket stilling.
5. Vri på håndtaket for å stramme holderen (klemmen) på sidehåndtaket.

6.1.5 Stille inn ytelsen



Når batteriet er satt i, er produktet alltid innstilt på full ytelse.

1. Trykk på "knapp for halv ytelse". Produktet kobler om til halv ytelse.
 - ▶ "Indikator for halv ytelse" lyser.
2. Trykk en gang til på "knapp for halv ytelse". Produktet kobler om til full ytelse.
 - ▶ "Indikator for halv ytelse" slukner.

6.1.6 Sette i/ta ut verktøy

FARE

Brennfare! Fare ved kontakt mellom varmt verktøy og lett antenkelige materialer.

- ▶ Ikke legg et varmt verktøy på lett antenkelige materialer.

ADVARSEL

Fare for personskader Verktøyet blir varmt under bruk.

- ▶ Bruk vernehansker ved skifte av verktøy.



Bruk av uegnet fett kan føre til skade på produktet. **Bruk bare originalfett fra Hilti.**

1. Smør innstikkenden til innsatsverktøyet med litt fett.
 - ▶ Bruk bare originalfett fra **Hilti**. Feil fett kan forårsake skade på produktet.
2. Sett funksjonsvelgeren i stillingen "Meisling" **T**.
3. Sett innsatsverktøyet helt inn i chucked slik at det klikker på plass.
4. Trekk i verktøyet etter at du har satt det i, for å forsikre deg om at det er godt festet.
 - ▶ Produktet er klart til bruk.
5. Trekk verktøylåsen tilbake til anslag og ta ut innsatsverktøyet.

6.2 Arbeid

FORSIKTIG

Fare for personskader Tap av kontroll over meiselhammeren.

- ▶ Kontroller at sidehåndtaket er riktig montert og forskriftsmessig festet.

Følg sikkerhetsanvisningene og advarslene i denne dokumentasjonen og på produktet.


6.3 Plassere meiselen


FORSIKTIG

Fare for personskader! Tap av kontroll over meiselretningen.

- ▶ Ikke arbeid i posisjonen "Plassere meiselen". Sett funksjonsvelgeren i stillingen "Meisling" til den går i lås.




 Meiselen kan sperres i 24 ulike posisjoner (i trinn på 15°). Derfor kan man alltid finne den optimale arbeidsstillingen når man jobber med flat- og formmeisel.

1. Slå av maskinen.
2. Sett funksjonsvelgeren i stillingen "Plassere meiselen" \rightarrow .
3. Drei meiselen til ønsket posisjon.
4. Still inn funksjonsvelgeren på dette symbolet:  til den går i lås.
 - ▶ Produktet er klart til bruk.


6.3.1 Meisling

- ▶ Sett funksjonsvelgeren i stillingen "Meisling" .

 Hold alltid produktet med begge hender. Hold produktet rent og fritt for olje og fett.

 Ikke legg det varme produktet på antennelig materiale etter bruk. Det kan ta fyr.

6.3.2 Slå på/av kontinuerlig drift

 I meiseldrift kan man sperre kontrollbryteren mens den er aktivert.

1. Skyv låseknappen for kontinuerlig drift fremover.
2. Trykk kontrollbryteren inn så langt det går.
 - ▶ Produktet arbeider nå i kontinuerlig drift.
3. Skyv låseknappen for kontinuerlig drift bakover.
 - ▶ Produktet slår seg av.

7 Pleie og vedlikehold

ADVARSEL

Fare for personskader på grunn av isatt batteri !

- ▶ Ta alltid ut batteriet før stell og vedlikeholdsarbeid!

Pleie av produktet

- Fjern forsiktig gjenstridig smuss.
- Rengjør ventilasjonsåpningene, der slike finnes, forsiktig med en tørr og myk børste.
- Rengjør huset bare med en lett fuktet klut. Ikke bruk silikonholdige pleiemidler, ettersom dette kan angripe plastdelene.
- Bruk en ren og tørr klut for å rengjøre kontaktene på produktet.

Pleie av li-ion-batterier

- Bruk aldri et batteri med tilstoppede ventilasjonsåpninger. Rengjør ventilasjonsåpningene forsiktig med en tørr og myk børste.
- Unngå at batteriet unødig utsettes for støv eller smuss. Ikke utsett batteriet for høy fuktighet (f.eks. ved å dyppe det i vann eller la det stå ute i regnet). Hvis et batteri blir gjennomvått, må det behandles som et skadet batteri. Isoler det i en ikke-brennbar beholder, og kontakt **Hilti service**.
- Hold batteriet fritt for fremmed olje og fett. Ikke la unødig støv eller smuss samle seg på batteriet. Rengjør batteriet med en tørr og myk børste eller en ren og tørr klut. Ikke bruk silikonholdige pleiemidler, ettersom dette kan angripe plastdelene.
Ikke berør kontaktene på batteriet, og ikke fjern fett som er smurt på kontaktene fra fabrikkens.
- Rengjør huset bare med en lett fuktet klut. Ikke bruk silikonholdige pleiemidler, ettersom dette kan angripe plastdelene.

Vedlikehold

- Kontroller alle synlige deler regelmessig mht. skade og alle betjeningselementer mht. feilfri funksjon.



- Ved skader og/eller funksjonsfeil må produktet ikke brukes. Få produktet omgående reparert av **Hilti** service.
- Monter alle beskyttelsesinnretninger etter pleie- og vedlikeholdsarbeid, og kontroller at de fungerer feilfritt.



Av hensyn til sikkerheten må du bare bruke originale reservedeler og forbruksmateriell. Reservedeler, forbruksmateriell og tilbehør som er godkjent av **Hilti**, finner du i nærmeste **Hilti Store** eller på: www.hilti.group

8 Transport og lagring av batteriverktøy og batterier

Transport

FORSIKTIG

Utilsiktet start under transport !

- ▶ Transporter alltid produktene dine uten batterier!
- ▶ Ta ut batteri(er).
- ▶ Batterier må aldri transporteres løst. Under transport må batteriene beskyttes mot kraftige støt og vibrasjoner og isoleres fra ledende materialer og andre batterier, slik at de ikke kan komme i berøring med andre batteripoler og dermed forårsake kortslutning. **Følg lokale transportforskrifter for batterier.**
- ▶ Batterier må ikke sendes i posten. Kontakt et transportfirma hvis du vil sende uskadde batterier.
- ▶ Kontroller produkt og batterier med henblikk på skader før hver bruk samt før og etter lengre transport.

Lagring

ADVARSEL

Utilsiktet skade på grunn av defekte batterier eller lekkasje fra batterier !

- ▶ Oppbevar alltid produktene dine uten batterier!
- ▶ Oppbevar produkt og batterier kjølig og tørt. Ta hensyn til temperaturgrensene som er angitt under tekniske data.
- ▶ Ikke oppbevar batterier på laderen. Ta alltid batteriet ut av laderen etter ferdig lading.
- ▶ Batterier må aldri oppbevares i solen, på varmekilder eller bak glass.
- ▶ Oppbevar produktet og batterier utenfor barns og uvedkommendes rekkevidde.
- ▶ Kontroller produkt og batterier med henblikk på skader før hver bruk samt før og etter lengre tids lagring.

9 Feilsøking

Ved feil som ikke står i denne tabellen eller som du selv ikke kan rette opp, må du kontakte **Hilti Service**.

9.1 Feilsøking

Feil	Mulig årsak	Løsning
Slageffekt uteblir.	Produktet er for kaldt.	▶ Sett produktet på underlaget og la det gå på tomgang. Gjenta hvis nødvendig til slagverket arbeider.
Batteriet blir raskere tomt enn vanlig.	Batteriets tilstand er ikke optimal.	▶ Skift ut batteriet.
Batteriet festes ikke med et hørbart dobbeltklikk.	Festetappene på batteriet er skitne.	▶ Rengjør festetappene og sett batteriet inn igjen.
Produktet slår seg automatisk av.	Overbelastningsvern aktivt.	Av/på-indikator blinker. ▶ Slipp kontrollbryteren. La produktet kjøles av. Trykk ned kontrollbryteren igjen. Reduser maskinbelastningen.
Kraftig varmeutvikling i produktet eller på batteriet.	Elektrisk defekt.	▶ Slå av produktet umiddelbart. Ta ut batteriet og undersøk det. La det avkjøles. Kontakt Hilti service.



Feil	Mulig årsak	Løsning
Kraftig varmeutvikling i produktet eller på batteriet.	Produktet er overbelastet (bruksgrensen er overskredet).	► Velg et produkt som er tilpasset bruksområdet.
LED-ene på batteriet viser ingenting.	Batteriet er ikke satt helt i.	► La batteriet gå i lås med et dobbeltklikk.
	Utladet batteri.	► Skift batteri og lad tomt batteri.
1 LED på batteriet blinker.	Batteriet er for varmt eller for kaldt.	► Bring batteriet til anbefalt driftstemperatur.
	Utladet batteri.	► Skift batteri og lad tomt batteri.
4 LED-er på batteriet blinker.	Batteriet er for varmt eller for kaldt.	► Bring batteriet til anbefalt driftstemperatur.
	Produktet er kortvarig overbelastet.	► Slipp kontrollbryteren og trykk den inn på nytt.
Produktet yter ikke maksimalt.	Overopphetingsvern.	► La produktet avkjøles, og rengjør ventilasjonsåpningene.
	Kontrollbryteren er ikke trykket helt inn.	► Trykk kontrollbryteren helt inn.
Verktøyet løsner ikke fra chucken.	Knappen for halv ytelse er slått på.	► Trykk på knappen "Halv ytelse".
	Chucken er ikke trukket helt tilbake.	► Trekk verktøylåsen tilbake til anslag og ta ut verktøyet.
Produktet starter ikke.	Sidehåndtak ikke riktig montert.	► Løsne sidehåndtaket og monter det riktig, slik at klemme og sidehåndtak smekker på plass i fordypningen.
	Den elektroniske startsperreren er aktivert etter et strøbrudd.	► Slå produktet av og på igjen.
Serviceindikatoren lyser.	Servicegrensetid nådd.	► Få produktet reparert av Hilti service.
Serviceindikatoren blinker.	Skader på produktet.	► Få produktet reparert av Hilti service.
Av/på-indikator blinker.	Produktet er kortvarig overbelastet.	► Slipp kontrollbryteren og trykk den inn på nytt.
	Overopphetingsvern.	► La produktet avkjøles, og rengjør ventilasjonsåpningene.

10 Avhending

Hilti maskiner er i stor grad laget av resirkulerbart materiale. En forskriftsmessig materialsortering er en forutsetning for resirkulering. I mange land tar **Hilti** din gamle maskin i retur. Spør **Hilti** kundeservice eller forhandleren din.



- Kast aldri elektroverktøy, elektronisk utstyr eller batterier i husholdningsavfallet!

11 RoHS (direktiv for begrensning av bruk av farlige stoffer)

Under følgende lenke finner du tabellen over farlige stoffer: qr.hilti.com/r10130182. Du finner en lenke til RoHS-tabellen helt til slutt i denne dokumentasjonen som QR-kode.

12 Produsentgaranti

- Når det gjelder spørsmål om garantibetingelser, ber vi deg kontakte din lokale **Hilti**-partner.



Alkuperäiset ohjeet

1 Tämän käyttöohjeen tiedot

1.1 Tästä käyttöohjeesta

- Lue ehdottomasti tämä käyttöohje ennen tuotteen käyttämistä. Se on turvallisen työn teon ja tuotteen ongelmattoman käsittelyn perusedellytys.
- Noudata tässä käyttöohjeessa annettuja ja tuotteessa olevia turvallisuus- ja varoitushuomautuksia.
- Säilytä käyttöohje aina tuotteen yhteydessä, ja anna tuote toiselle henkilölle aina käyttöohjeen kanssa.

1.2 Merkkien selitykset

1.2.1 Varoitushuomautukset

Varoitushuomautukset varoittavat tuotteen käyttöön liittyvistä vaaroista. Seuraavia varoitustekstejä käytetään:

VAKAVA VAARA

VAKAVA VAARA !

- ▶ Varoittaa uhkaavasta vaaratilanteesta, josta voi seurauksena olla vakava loukkaantuminen tai jopa kuolema.

VAARA

VAARA !

- ▶ Varoittaa mahdollisesta vaarasta, josta voi seurauksena olla vakava loukkaantuminen tai kuolema.

VAROITUS

HUOMIO !

- ▶ Varoittaa mahdollisesta vaaratilanteesta, josta voi seurata loukkaantuminen tai aineellinen vahinko.

1.2.2 Symbolit käyttöohjeessa

Tässä käyttöohjeessa käytetään seuraavia symboleita:

	Noudata käyttöohjetta
	Toimintaohjeita ja muuta hyödyllistä tietoa
	Kierrätyskelpoisten materiaalien käsittely
	Älä hävitä sähkölaitteita ja akkuja tavallisen sekajätteen mukana
	Hilti Litiumioniakku
	Hilti Laturi

1.2.3 Symbolit kuvissa

Kuvissa käytetään seuraavia symboleita:

	Nämä numerot viittaavat vastaavaan kuvaan tämän käyttöohjeen alussa.
	Numerointi kuvissa viittaa tärkeisiin työvaiheisiin tai työvaiheiden kannalta tärkeisiin rakenneosiin. Nämä vastaavasti numeroidut työvaiheet tai rakenneosat korostetaan tekstissä, esimerkiksi (3) .
	Kohtanumeroita käytetään kuvassa Yleiskuva , ja ne viittaavat kuvatekstien numerointiin kappaleessa Tuoteyhteenveto .
	Tämän merkin tarkoitus on kiinnittää erityinen huomio tuotteen käyttöön ja käsittelyyn.



1.3 Tuotekohtaiset symbolit

1.3.1 Symbolit tuotteessa

Tuotteessa voidaan käyttää seuraavia symboleita:

	Piikkaaminen
	Piikkausterän kohdistaminen
	Huoltotarpeen merkivalo
	Halkaisija
n_0	Nimellisjoutokäyntikierrosluku
/min	Kierrosta minuutissa
	Tasavirta
	Tuote tukee langatonta tiedonsiirtoa, joka on yhteensopiva iOS- ja Android-alustojen kanssa.
Li-Ion	Litiumioniakku
	Käytettävien Hilti -litiumioniakkujen tyyppisarja. Ota kappaleessa Tarkoituksenmukainen käyttö annetut tiedot huomioon.
	Älä koskaan käytä akkua lyöntityökaluna.
	Älä päästä akkua putoamaan. Älä käytä akkua, johon on kohdistunut isku tai joka on muutoin vaurioitunut.

1.4 Kytkeminen päälle ja pois päältä

Symbolit

	Tuote on kytketty päälle
	Tuote on kytketty pois päältä

1.5 Tuotetiedot

HILTI -tuotteet on tarkoitettu ammattikäyttöön, ja niitä saa käyttää, huoltaa tai korjata vain valtuutettu, koulutettu henkilö. Käyttäjän pitää olla hyvin perillä käyttöön liittyvistä vaaroista. Tuote ja sen varusteet saattavat aiheuttaa vaaratilanteita, jos kokemattomat henkilöt käyttävät tuotetta ohjeiden vastaisesti tai muutoin asiattomasti.

Tyyppimerkinnän ja sarjanumeron löydät tyyppikilvestä.

- Kirjoita sarjanumero oheiseen taulukkoon. Tuotteen tiedot tarvitaan, jos esität kysymyksiä myynti- tai huoltoedustajallemme.

Tuotetiedot

Piikkausvasara	TE 500-A36
Sukupuoli	04
Sarjanumero	

1.6 Vaatimustenmukaisuusvakuutus

Vakuutamme, että tässä kuvattu tuote täyttää voimassa olevien direktiivien ja standardien vaatimukset. Kuva vaatimustenmukaisuusvakuutuksesta on tämän dokumentaation lopussa.

Tekninen dokumentaatio löytyy tästä:

Hilti Entwicklungsgesellschaft mbH | Zulassung Geräte | Hiltistraße 6 | 86916 Kaufering, DE



2 Turvallisuus

2.1 Sähkötyökaluja koskevat yleiset turvallisuusohjeet

⚠ VAKAVA VAARA Lue kaikki turvallisuus- ja käyttöohjeet, selostukset ja tekniset tiedot, jotka liittyvät tähän sähkötyökaluun. Seuraavien ohjeiden noudattamatta jättäminen saattaa johtaa sähköiskuun, tulipaloon ja/tai vakavaan loukkaantumiseen.

Säilytä kaikki turvallisuus- ja käyttöohjeet huolellisesti vastaisen varalle.

Turvallisuusohjeissa käytetty käsite ”sähkötyökalu” tarkoittaa verkkokäyttöisiä sähkötyökaluja (joissa verkkojohto) ja akkukäyttöisiä sähkötyökaluja (joissa ei verkkojohtoa).

Työpaikan turvallisuus

- ▶ **Pidä työskentelyalue siistinä ja hyvin valaistuna.** Työpaikan epäjärjestys ja valaisemattomat työalueet voivat johtaa tapaturmiin.
- ▶ **Älä käytä sähkötyökalua räjähdysalttiissa ympäristössä, jossa on syttyvää nestettä, kaasua tai pölyä.** Sähkötyökalut synnyttävät kipinöitä, jotka saattavat syyttää pölyn tai höyryt.
- ▶ **Pidä lapset ja sivulliset loitolla sähkötyökalua käyttäessäsi.** Voit menettää koneen hallinnan huomiosi suuntautuessa muualle.

Sähköturvallisuus

- ▶ **Sähkötyökalun pistokkeen pitää sopia pistorasiaan.** Pistoketta ei saa muuttaa millään tavalla. Älä käytä pistorasia-adaptoreita suojamaadotettujen sähkötyökalujen yhteydessä. Alkuperäisessä kunnossa olevat pistokkeet ja sopivat pistorasiat vähentävät sähköiskun vaaraa.
- ▶ **Vältä koskettamasta sähköä johtaviin pintoihin kuten putkiin, pattereihin, liesiin ja jääkaappeihin.** Sähköiskun vaara kasvaa, jos kehosi maadottuu.
- ▶ **Älä aseta sähkötyökalua alttiiksi sateelle tai kosteudelle.** Veden tunkeutuminen sähkötyökalun sisään lisää sähköiskun vaaraa.
- ▶ **Älä kannata tai ripusta sähkötyökalua verkkojohdostaan äläkä vedä pistoketta irti pistorasiasta johdosta vetämällä.** Pidä johto loitolla kuumuudesta, öljystä, terävistä reunoista ja liikkuvista osista. Vahingoittuneet tai toisiinsa kietoutuneet johdot lisäävät sähköiskun vaaraa.
- ▶ **Kun käytät sähkötyökalua ulkona, käytä ainoastaan ulkokäyttöön soveltuvia jatkojohtoja.** Ulkoikäyttöön soveltuvan jatkojohdon käyttö pienentää sähköiskun vaaraa.
- ▶ **Jos sähkötyökalua on välttämätöntä käyttää kosteassa ympäristössä, käytä vikavirtasuojakytintä.** Vikavirtasuojakytimen käyttö pienentää sähköiskun vaaraa.

Henkilöturvallisuus

- ▶ **Ole valpas, kiinnitä huomiota työskentelyysi ja noudata tervettä järkeä sähkötyökalua käyttäessäsi.** Älä käytä sähkötyökalua, jos olet väsynyt tai huumeiden, alkoholin tai lääkkeiden vaikutuksen alaisena. Sähkötyökalua käytettäessä hetkellisenkin varomattomuus saattaa aiheuttaa vakavia vammoja.
- ▶ **Käytä henkilökohtaisia suojarusteita ja aina suojalaseja.** Henkilökohtaiset suojarusteet, kuten hengityssuojain, luistamattomat turvajalkineet, kypärä ja kuulosuojaimet, pienentävät oikein käytettyinä loukkaantumisriskiä sähkötyökalun käyttötilanteesta riippuen.
- ▶ **Varo tahatonta käynnistämistä.** Varmista, että sähkötyökalu on kytketty pois päältä, ennen kuin liität sen verkkovirtaan ja/tai liität siihen akun, otat sen käteesi tai kannat sitä. Jos kannat sähkötyökalua sormi käyttökytkimellä tai liität pistokkeen pistorasiaan käyttökytkimen ollessa käyntiasennossa, altistat itsesi onnettomuuksille.
- ▶ **Poista kaikki säätötyökalut ja ruuvitalat, ennen kuin käynnistät sähkötyökalun.** Työkalu tai avain, joka sijaitsee koneen pyörivässä osassa, saattaa johtaa loukkaantumiseen.
- ▶ **Vältä vaikeita työskentelyasentoja.** Varmista aina tukeva seisoma-asento ja tasapaino. Siten voit paremmin hallita sähkötyökalua odottamattomissa tilanteissa.
- ▶ **Käytä työohsi soveltuvia vaatteita.** Älä käytä löysiä työvaatteita tai koruja. Pidä hiukset, vaatteet ja käsineet loitolla liikkuvista osista. Väljät vaatteet, korut ja pitkät hiukset voivat takertua liikkuviin osiin.
- ▶ **Jos pölynpoisto- ja keräilylaitteita voidaan asentaa, sinun on tarkastettava, että ne on liitetty oikein ja että niitä käytetään oikealla tavalla.** Pölynpoistovarustuksen käyttö vähentää pölyn aiheuttamia vaaroja.
- ▶ **Älä tuudittaudu virheelliseen turvallisuuden tunteeseen äläkä laiminlyö sähkötyökaluja koskevia turvallisuusohjeita silloinkaan, kun mielestäsi jo olet kokenut sähkötyökalun käyttäjä.** Harkitsema- ton ja huolimaton toiminta voi sekunnin murto-osissa johtaa vakaviin loukkaantumisiin.

Sähkötyökalun käyttö ja käsittely

- ▶ **Älä ylikuormita konetta.** Käytä kyseiseen työhön tarkoitettua sähkötyökalua. Sopivaa sähkötyökalua käyttäen työskentelet paremmin ja varmemmin tehoalueella, jolle sähkötyökalu on tarkoitettu.
- ▶ **Älä käytä sähkötyökalua, jonka käyttökytkin ei toimi.** Sähkötyökalu, jota ei enää voida käynnistää ja pysäyttää käyttökytkimellä, on vaarallinen ja se täytyy korjata.



- ▶ **Irrota pistoke pistorasiasta ja/tai irrota akku ennen kuin muutat säätöjä, vaihdat terää tai lisävarusteita ja kun lopetat koneen käyttämisen.** Tämä turvatoimenpide estää sähkötyökalun tahattoman käynnistysriskin.
- ▶ **Säilytä sähkötyökalut poissa lasten ulottuvilta, kun niitä ei käytetä. Älä anna toisten henkilöiden käyttää konetta, elleivät he ole perehtyneet sen käyttöön ja lukeneet käyttöohjeita.** Sähkötyökalut ovat vaarallisia, jos niitä käyttävät kokemattomat henkilöt.
- ▶ **Hoida sähkötyökaluja ja niiden varusteita huolella. Tarkasta, että liikkuvat osat toimivat moitteettomasti eivätkä ole puristuksissa, ja tarkasta myös, ettei sähkötyökalussa ole murtuneita tai vaurioituneita osia, jotka saattaisivat haitata sen toimintaa. Korjauta vaurioituneet osat ennen koneen käyttämistä.** Usein loukkaantumisten ja tapaturmien syynä on sähkötyökalujen laiminlyöty huolto.
- ▶ **Pidä terät terävinä ja puhtaina.** Huolella hoidetut terät, joiden leikkausreunat ovat teräviä, eivät jumitu herkästi, ja niillä työn teko on kevyempää.
- ▶ **Käytä sähkötyökalua, lisävarusteita ja tarvikkeita, teriä jne. niiden käyttöohjeiden mukaisesti. Ota tällöin työolosuhteet ja suoritettava työ tehtävä huomioon.** Sähkötyökalun käyttö muuhun kuin sille tarkoitettuun käyttöön saattaa johtaa vaarallisiin tilanteisiin.
- ▶ **Pidä käsikahvat ja tartuntapinnat kuivina, puhtaina, öljyttöminä ja rasvattomina.** Jos käsikahvat tai tartuntapinnat ovat liukkaat, sähkötyökalun turvallinen käyttö ja hallinta voi yllättävissä tilanteissa olla mahdollonta.

Akkukäyttöisen sähkötyökalun käyttö ja käsittely

- ▶ **Lataa akku vain valmistajan suositamalla laturilla.** Jos laturi on tarkoitettu vain tietyn akkumallin lataamiseen, palovaara on olemassa, jos laturia käytetään muiden akkujen lataamiseen.
- ▶ **Käytä ainoastaan juuri kyseiseen sähkötyökaluun tarkoitettua akkua.** Jonkun muun akun käyttö saattaa johtaa loukkaantumiseen ja tulipaloon.
- ▶ **Pidä irrallinen akku loitolla metalliesineistä, kuten paperinliittimistä, kolikoista, avaimista, nau-loista, ruuveista tai muista pienistä metalliesineistä, jotka voivat oikosulkea akun liittimet.** Akun liittimien välinen oikosulku saattaa aiheuttaa palovammoja tai johtaa tulipaloon.
- ▶ **Väärästä käytöstä johtuen saattaa akusta vuotaa nestettä, jota ei saa koskettaa. Vältä kosketusta sen kanssa. Tarvittaessa huuhtelee kosketuskohta vedellä. Jos nestettä pääsee silmiin, tarvitaan lisäksi lääkärin apua.** Akusta vuotava neste saattaa aiheuttaa ärsytystä ja palovammoja.
- ▶ **Älä käytä akkua, joka on vaurioitunut tai johon on tehty muutoksia.** Vaurioitunut akku tai akku, jota on muutettu, saattaa käyttäytyä yllättävästi ja aiheuttaa tulipalon, räjähdyksen ja vammoja.
- ▶ **Varjele akkua avotulelta ja korkeilta lämpötiloilta.** Avotuli tai yli 130 °C:n (265 °F) lämpötila voi aiheuttaa räjähdyksen.
- ▶ **Noudata kaikkia akun lataamisesta annettuja ohjeita, ja lataa akku tai akun sisältävä sähkötyökalu aina käyttöohjeessa mainittuja lämpötilarajoja noudattaen.** Akun virheellinen lataaminen tai lataami-nen sallitun lämpötila-alueen lämpötiloja noudattamatta saattaa johtaa akun tuhoutumiseen ja aiheuttaa tulipalovaaran.

Huolto

- ▶ **Anna koulutettujen ammattihenkilöiden korjata sähkötyökalusi ja hyväksy korjauksiin vain alkupe-räisiä varaosia.** Siten varmistat koneen turvallisuuden säilymisen.
- ▶ **Älä koskaan yritä huoltaa vaurioitunutta akkua.** Akkujen kaikki huoltotyöt saa suorittaa vain valmistaja tai sen valtuuttama huoltopiste.

2.2 Poravarosia koskevat turvallisuusohjeet

Turvallisuusohjeet kaikkiin töihin

- ▶ **Käytä kuulosuojaimia.** Melu saattaa heikentää kuuloasi.
- ▶ **Käytä koneen mukana toimitettuja lisäkäsikahvoja.** Koneen hallinnan menettäminen saattaa aiheuttaa loukkaantumisia.
- ▶ **Pidä koneesta kiinni vain sen eristetyistä kahvapinnoista, jos teet työtä, jossa terä saattaa osua rakenteen sisällä olevaan virtajohtoon.** Jos terä osuu virtajohtoon, koneen metalliosiin saattaa johtua virta, jolloin saatat saada sähköiskun.

2.3 Lisää piikkausvasaran turvallisuusohjeita

Henkilöturvallisuus

- ▶ Käytä vain tuotetta ja lisävarusteita, jotka ovat teknisesti moitteettomassa kunnossa.
- ▶ Älä koskaan tee tuotteeseen tai lisävarusteisiin minkäänlaisia muutoksia.



- ▶ Kattoa, seinää ja lattiaa piikattaessa varmista turvallinen ja varma pystyssä pysyminen. Kohteen äkillinen murtuminen voi suistaa sinut tasapainosta!
- ▶ Kun teet reikiä, varmista työstettävän kohdan taustapuoli. Putoamaan tai sinkoutumaan pääsevät palaset voivat aiheuttaa muille vammoja.
- ▶ Käytön aikana käyttäjän ja välittömässä läheisyydessä olevien henkilöiden on käytettävä soveltuvia suojalaseja, suojakypärää, kuulosuojaimia ja kevyttä hengityssuojainta.
- ▶ Käytä työkaluterän vaihdossa suojakäsineitä. Työkaluterän koskettaminen saattaa aiheuttaa haavoja ja palovammoja.
- ▶ Käytä suojalaseja. Sirpaleet saattavat aiheuttaa vammoja ja vahingoittaa silmiä.
- ▶ Hiottaessa, kiillotettaessa, leikattaessa ja porattaessa syntyvä pöly saattaa sisältää vaarallisia kemikaaleja. Niistä esimerkkejä ovat: lyijy tai lyijypitoiset maalit; tiili, betoni ja muut muuraustuotteet, luonnonkivi ja muut silikaatteja sisältävät tuotteet; tietyt puulajit kuten tammi, pyökki ja kemiallisesti käsitellyt puut; asbesti tai asbestia sisältävät materiaalit. Määritä työstettävien materiaalien vaaraluokituksen perusteella käyttäjän ja lähellä olevien henkilöiden altistumisvaara. Ryhdy tarvittaviin toimenpiteisiin altistumisen pitämiseksi turvallisella tasolla, esimerkiksi käytettävä pölynkeräysjärjestelmää tai soveltuvaa hengityssuojainta. Altistumisen määrää pienentäviä yleisluonteisia toimenpiteitä ovat:
 - ▶ työn tekeminen hyvin tuulettuvassa tilassa,
 - ▶ pitkään kestävästä pölyaltistuksesta välttäminen,
 - ▶ pölyn ohjaaminen pois kasvoilta ja keholta,
 - ▶ suojavaatetuksen käyttö ja kehon altistuneiden kohtien pesu vedellä ja saippualla.
- ▶ Pidä työssäsi usein taukoja, joiden aikana tee sormien verenkiertoa parantavia sormivoimisteluliikeitä. Pitempään jatkuva työnteke saattaa tärinän vuoksi aiheuttaa verenkiertohäiriöitä tai sormien, käsien ja ranteiden hermokipuja.

Sähköturvallisuus

- ▶ Tarkasta ennen työn aloittamista, onko työskentelyalueella rakenteiden sisälle asennettuja sähköjohtoja tai kaasu- ja vesiputkia. Tuotteen ulkopinnan metalliosista saatat saada sähköiskun tai aiheuttaa räjähdyksen, jos vahingossa osut sähköjohtoon, kaasuputkeen tai vesiputkeen.

Sähkötökalujen käyttö ja hoito

- ▶ Odota, että tuote on täysin pysähtynyt, ennen kuin lasket sen kädestäsi.

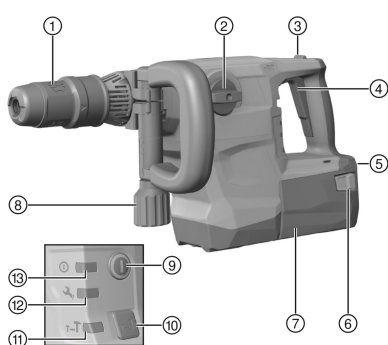
2.4 Akkujen käyttö ja hoito

- ▶ Ota litiumioniakkujen kuljettamisesta, varastoinnista ja käyttämisestä annetut erityisohjeet huomioon.
- ▶ Suojaa akut korkeilta lämpötiloilta, suoralta auringonpaisteelta ja avotulelta.
- ▶ Akkuja ei saa avata, puristaa, kuumentaa lämpötilaan yli 80 °C (176 °F) tai polttaa.
- ▶ Älä käytä tai lataa akkua, joka on saanut iskun, joka on pudonnut yli metrin korkeudelta tai joka on muulla tavoin vaurioitunut. Tällaisessa tapauksessa ota aina yhteys **Hilti -huoltoon**.
- ▶ Jos akku on liian kuuma koskea, se saattaa olla vaurioitunut. Laita akku palovaarattomaan paikkaan ja riittävän etäälle syttyivistä materiaaleista. Anna akun jäähtyä. Jos akku vielä tunnin kuluttuakin on liian kuuma koskea, akku on vaurioitunut. Ota yhteys **Hilti-huoltoon**.



3 Kuvaus

3.1 Tuoteyhteenvedo



- ① Istukka
- ② Toimintatapavalitsin
- ③ Jatkuvan käytön lukitsin (vain piikkaaminen)
- ④ Käyttökytkin
- ⑤ Lataustila- ja häiriönäyttö (litiumioniakku)
- ⑥ Vapautuspainikkeet joissa lisätoimintona lataustilan näytön aktivointi
- ⑦ Akku
- ⑧ Sivukahva
- ⑨ Käyttökytkin
- ⑩ Puolitehon painike
- ⑪ Puolitehon merkkivalo
- ⑫ Huoltotarpeen merkkivalo
- ⑬ Päällä-/pois päältä -merkkivalo

3.2 Tarkoituksenmukainen käyttö

Kuvattu tuote on akkukäyttöinen, pneumaattisella iskumekanismilla varustettu piikkausvasara. Tuote on tarkoitettu tiilen ja muurauksen kevyisiin ja keskiraskaisiin piikkaustöihin ja betonin viimeistelytöihin.

- ▶ Käytä tämän tuotteen yhteydessä vain B 36 -sarjan **Hilti**-litiumioniakkuja.
- ▶ Käytä tämän akun yhteydessä vain C4/36-sarjan **Hilti**-latureita.

3.2.1 Mahdollinen väärä käyttö

- Tämä tuote ei sovellu terveydelle vaarallisten materiaalien työstöön.
- Tämä tuote ei sovellu kosteassa ympäristössä käytettäväksi.

3.3 Active Vibration Reduction

Tuotteessa on Active Vibration Reduction (AVR) -järjestelmä, joka merkittävästi vähentää tärinää.

3.4 Huoltotarpeen merkkivalo

Tuotteessa on huoltotarpeen merkkivalo.

3.4.1 MMI

Tila	Merkitys
Huoltotarpeen merkkivalo palaa.	Käyttöajan perusteella huolto on tullut ajankohtaiseksi.
Huoltotarpeen merkkivalo vilkkuu.	Korjauta tuote Hilti -huollossa.
Päällä-/pois päältä -merkkivalo palaa.	Tuote on kytketty päälle
Päällä-/pois päältä -merkkivalo vilkkuu.	Tuote on hetkellisen vian vuoksi kytketty pois päältä.
Päällä-/pois päältä -merkkivalo ei pala.	Tuote on kytketty pois päältä.
Merkkivalo Puoliteho palaa.	Tuote toimii puolella teholla.
Merkkivalo Puoliteho ei pala.	Tuote toimii täydellä teholla.

3.4.2 Litiumioniakun lataustilan näyttö

Litiumioniakun lataustila ja koneen häiriöt näytetään litiumioniakun näytössä. Litiumioniakun lataustila näytetään, kun jompaakumpaa akun lukituksen vapautuspainikkeista painetaan kevyesti.

Tila	Merkitys
4 LED-merkkivaloa palaa.	Lataustila: 75 % ... 100 %
3 LED-merkkivaloa palaa.	Lataustila: 50 % ... 75 %



Tila	Merkitys
2 LED-merkkivaloa palaa.	Lataustila: 25 % ... 50 %
1 LED-merkkivalo palaa.	Lataustila: 10 % ... 25 %
1 LED-merkkivalo vilkkuu.	Lataustila: < 10 %
1 LED-merkkivalo vilkkuu, tuote ei ole toimintavalmis.	Akku on ylikuumentunut tai täysin tyhjentynyt.
4 LED-merkkivaloa vilkkuu, tuote ei ole toimintavalmis.	Kone on ylikuormittunut tai ylikuumentunut.



Akun lataustilan tarkastaminen ei ole mahdollista käyttökäytin painettuna ja 5 sekunnin aikana käyttökäytin vapauttamisesta.

Jos akun LED-merkkivalot vilkkuvat, ota huomioon ohjeet kappaleessa Apua häiriötilanteisiin.

3.5 Toimituksen sisältö

Piikkausvasara, sivukahva, käyttöohje.

Muita tälle tuotteelle hyväksytyjä järjestelmätuotteita löydät **Hilti Store** -liikkeestä tai nettiosoitteesta: www.hilti.group

4 Tekniset tiedot

	TE 500-A36
Nimellisjännite	36 V
Paino EPTA 01 mukaan	7,9 kg
Yhden iskun energia EPTA 05 mukaan	7,8 J
Istukka	TE-Y
Varastointilämpötila	-20 °C ... 70 °C
Ympäristön lämpötila käytettäessä	-17 °C ... 60 °C

4.1 Melutiedot ja värinäarvot EN 62841 mukaan

Tässä käyttöohjeessa annetut äänenpaine- ja värinäarvot on mitattu standardoitujen mittausmenetelmien mukaisesti, ja näitä arvoja voidaan käyttää sähkötyökalujen vertailussa. Ne soveltuvat myös altistumisten tilapäiseen arviointiin.

Annetut arvot koskevat sähkötyökalun pääasiallisia käyttötarkoituksia. Jos sähkötyökalua kuitenkin käytetään muihin tarkoituksiin, poikkeavia työkaluja tai teriä käyttäen tai puutteellisesti huollettuna, arvot voivat poiketa tässä ilmoitetuista. Tämä saattaa merkittävästi lisätä altistumista koko työskentelyajan aikana.

Altistumisia tarkasti arvioitaessa on otettava huomioon myös ne ajat, jolloin sähkötyökalu on kytketty pois päältä tai jolloin sähkötyökalu on päällä, mutta sillä ei tehdä varsinaista työtä. Tämä saattaa merkittävästi vähentää altistumista koko työskentelyajan aikana.

Käyttäjän suojaamiseksi melun ja/tai värinän vaikutukselta ryhdy tarpeellisiin turvatoimenpiteisiin kuten: Sähkötyökalun ja siihen kiinnitettävien työkalujen huolto, käsien lämpimänä pitäminen, työtehtävien organisointi.

Melupäästöarvot EN 62841 mukaan

	TE 500-A36
Äänenpainetaso (LpA)	91 dB
Äänenpainetason epävarmuus (KpA)	3 dB
Äänitehotaso (LWA)	102 dB
Äänitehotason epävarmuus (KWA)	3 dB

Tärinän kokonaisarvot EN 62841 mukaan

	TE 500-A36	
Piikkaaminen betoniin (a _{h, CH90})	B 36/5.2	7,9 m/s ²
	B 36/9.0	7,4 m/s ²
Epävarmuus (K)	1,5 m/s ²	



5 Akku

Akkutoimintajännite	36 V
Ympäristön lämpötila käytettäessä	-17 °C ... 60 °C
Varastointilämpötila	-20 °C ... 40 °C
Akun lämpötila lataamisen alkaessa	-10 °C ... 45 °C

6 Käyttö

6.1 Työkohteen valmistelu



Kytke tuote pois päältä tai irrota akku, ennen kuin muutat säätöjä tai vaihdat lisävarusteosia.

Noudata tässä dokumentaatioissa ja tuotteessa olevia turvallisuus- ja varoitushuomautuksia.

6.1.1 Akun kiinnitys



Loukkaantumiswaara akun oikosulun tai putoamisen seurauksena!

- ▶ Ennen akun paikalleen laittamista varmista, ettei akun liittimissä akussa ja tuotteessa ole vieraita esineitä.
- ▶ Varmista, että akku aina lukittuu kunnolla paikalleen.

1. Lataa akku täyteen ennen ensimmäistä käyttökertaa.
2. Työnnä akku tuotteeseen siten, että akku kuultavasti lukittuu paikalleen.
3. Tarkasta, että akku on kunnolla kiinni.

6.1.2 Akun irrotus

1. Paina akun lukituksen vapautuspainikkeita.
2. Vedä akku irti laitteesta.

6.1.3 Akun lataus

1. Ennen lataamista lue laturin käyttöohje.
2. Varmista, että liittimet akussa ja laturissa ovat puhtaat ja kuivat.
3. Lataa akku hyväksytyllä laturilla. → Sivuu 52

6.1.4 Sivukahvan kiinnitys 2



Loukkaantumiswaara Piikkausvasaran hallinnan menettämisen vaara.

- ▶ Varmista, että sivukahva on kiinnitetty oikein ja kunnolla kiinni.
1. Kytke kone pois päältä.
 2. Kierrä kahvaa sivukahvan kiinnittimen (kiinnityspanta) avaamiseksi.
 3. Työnnä kiinnitin (kiinnityspanta) edestäpäin istukan päälle sille tarkoitettuun uraan saakka.
 4. Aseta sivukahva haluamaasi asentoon.
 5. Kierrä kahvaa sivukahvan kiinnittimen (kiinnityspanta) kiinni kiristämiseksi.

6.1.5 Tehonsäätö



Kun akku laitetaan tuotteeseen, tuote säätty aina toimimaan täydellä teholla.

1. Paina puolitehon painiketta. Tuote kytkeytyy puolitehon käyttöön.
 - ▶ Puolitehon merkkivalo palaa.
2. Paina puolitehon painiketta uudelleen. Tuote kytkeytyy täyden tehon käyttöön.
 - ▶ Puolitehon merkkivalo sammuu.



6.1.6 Työkaluterän kiinnitys/irrotus

VAKAVA VAARA

Palovaara Kuuman työkalun ja helposti syttyvien materiaalien välisen kosketuksen aiheuttama vaara.

- ▶ Älä laske kuumaa työkalua herkästi syttyvien materiaalien päälle.

VAARA

Loukkaantumisvaara Terä kuumenee käytössä.

- ▶ Käytä terän vaihdossa suojakäsineitä.



Soveltumattoman rasvan käyttö voi vaurioittaa tuotetta. **Käytä vain alkuperäistä Hilti-rasvaa.**

1. Rasvaa työkaluterän istukkapää kevyesti.
 - ▶ Käytä vain alkuperäistä **Hilti**-rasvaa. Vääränlainen rasva voi vaurioittaa tuotetta.
2. Aseta toimintapavalitsin piikkausasettoon **T**.
3. Laita työkaluterä istukkaan vasteeseen saakka ja varmista, että se lukittuu paikalleen.
4. Tarkasta työkaluterän kunnollinen lukittuminen vetämällä työkaluterästä.
 - ▶ Tuote on toimintavalmis.
5. Vedä työkaluterän lukitsin taaksepäin vasteeseen saakka ja irrota työkaluterä.

6.2 Työskentely

VAROITUS

Loukkaantumisvaara Piikkausvasaran hallinnan menettämisen vaara.

- ▶ Varmista, että sivukahva on kiinnitetty oikein ja kunnolla kiinni.

Noudata tässä dokumentaatioissa ja tuotteessa olevia turvallisuus- ja varoitushuomautuksia.

6.3 Piikkausterän kohdistaminen

VAROITUS

Loukkaantumisvaara! Piikkaussuunnan hallinnan menettämisen vaara.

- ▶ Älä työskentele asentoa "Piikkausterän kohdistaminen" käyttäen. Aseta toimintapavalitsin piikkausasettoon, kunnes se lukittuu.



Piikkaustyökalun voi kiinnittää 24 eri asentoon (15°:n välein). Näin latta- ja muotopiikkaustyökalun saa kiinnitettyä aina työn kannalta sopivimpaan asentoon.

1. Kytke kone pois päältä.
2. Aseta toimintapavalitsin piikkausterän kohdistamisen asentoon .
3. Kierrä piikkausterä haluamaasi asentoon.
4. Aseta toimintapavalitsin tämän symbolin kohdalle: **T** siten, että se lukittuu.
 - ▶ Tuote on toimintavalmis.

6.3.1 Piikkaaminen

- ▶ Aseta toimintapavalitsin piikkausasettoon **T**.




Pidä tuotteesta aina kunnolla kiinni molemmin käsin. Pidä tuote puhtaana, rasvattomana ja öljyttömänä.



Älä työn teon jälkeen laske kuumaa tuotetta herkästi syttyvien materiaalien päälle. Ne saattaisivat syttyä.



6.3.2 Jatkuvan käytön kytkeminen päälle ja pois päältä

 Piikkauskäytössä voit lukita käyttökytkimen pohjaan.

1. Työnnä jatkuvan käytön lukitsin eteenpäin.
2. Paina käyttökytkin täysin pohjaan.
 - ▶ Tuote toimii nyt jatkuvässä käytössä.
3. Työnnä jatkuvan käytön lukitsin taaksepäin.
 - ▶ Tuote kytkeytyy pois päältä.

7 Huolto, hoito ja kunnossapito

VAARA

Loukkaantumisvaara jos akku paikallaan !

- ▶ Irrota akku aina ennen hoito- ja kunnostustöitä!

Tuotteen hoito


- Puhdista pinttynyt lika varovasti.
- Jos tuotteessa on jäähdtyysilmarao, puhdista ne varovasti kuivalla ja pehmeällä harjalla.
- Puhdista kotelon pinnat vain kevyesti kostutetulla kankaalla. Älä käytä silikonia sisältäviä hoitoaineita, sillä ne saattavat vaurioittaa muoviosia.
- Käytä tuotteen liittimien puhdistamiseen vain puhdasta ja kuivaa kangaspalaa.

Litiumioniakkujen hoito

- Älä koskaan käytä akkua, jos sen jäähdtyysilmarao ovat tukkeutuneet. Puhdista jäähdtyysilmarao varovasti kuivalla, pehmeällä harjalla.
- Vältä altistamasta akkua tarpeettomasti pölylle tai lialle. Älä koskaan altista akkua suurelle kosteudelle (esimerkiksi upota veteen tai jätä sateeseen).
Jos akku on pahoin kastunut, käsittele sitä kuin vaurioitunutta akkua. Eristä akku palamattomasta materiaalista valmistettuun astiaan ja ota yhteys **Hilti**-huoltoon.
- Pidä akku öljyttömänä ja rasvattomana. Älä anna pölyn ja lian kertyä akun pintaan. Puhdista akku kuivalla, pehmeällä harjalla tai puhtaalla, kuivalla kankaalla. Älä käytä silikonia sisältäviä hoitoaineita, sillä ne saattavat vaurioittaa muoviosia.
Älä kosketa akun liittimiä äläkä poista akun liittimiin tehtaalla laitettua rasvaa.
- Puhdista kotelon pinnat vain kevyesti kostutetulla kankaalla. Älä käytä silikonia sisältäviä hoitoaineita, sillä ne saattavat vaurioittaa muoviosia.

Kunnossapito

- Tarkasta säännöllisin välein kaikkien näkyvien osien mahdolliset vauriot ja käyttöelementtien moitteeton toiminta.
- Jos havaitset vaurioita ja/tai toimintahäiriöitä, älä käytä tuotetta. Korjauta tuote viipymättä **Hilti**-huollossa.
- Hoito- ja kunnostustöiden jälkeen kiinnitä kaikki suojalaitteet takaisin ja tarkasta niiden moitteeton toiminta.

 Käyttöturvallisuuden varmistamiseksi käytä vain alkuperäisiä varaosia ja käyttömateriaaleja. **Hiltin** tälle tuotteelle hyväksymiä varaosia, kulutusmateriaaleja ja lisävarusteita löydät **Hilti Store** -liikkeestä tai osoitteesta: www.hilti.group

8 Akkukäyttöisten työkalujen ja akkujen kuljetus ja varastointi

Kuljettaminen

VAROITUS

Käynnistyminen vahingossa kuljetuksen aikana !

- ▶ Kuljeta tuotteesi aina akku irrotettuna!
- ▶ Irrota akku/akut.
- ▶ Älä koskaan kuljeta akkuja irrallaan muiden tavaroiden joukossa. Akut on suojattava kuljetuksen ajaksi kovilla iskulla ja tärinältä, ja ne on eristettävä kaikenlaisista sähköä johtavista materiaaleista ja muista



akuista, jotta niiden navat eivät pääse kosketuksiin muiden akkujen napojen kanssa. Seurauksena saattaisi olla oikosulku. **Noudata maakohtaisia akkujen kuljetusmääräyksiä.**

- ▶ Akkuja ei saa koskaan lähettää postitse. Käännä kuljetusyrityksen puoleen, kun haluat lähettää vaurioittomia akkuja.
- ▶ Tarkasta tuotteen ja akun mahdolliset vauriot aina ennen käyttöä sekä ennen pitkää kuljetusta ja sen jälkeen.

Varastointi



VAARA

Viallinen tai vuotava akku voi aiheuttaa vaurioita !

- ▶ Varastoi tuotteesi aina akku irrotettuna!
- ▶ Varastoi tuote ja akut viileässä ja kuivassa paikassa. Ota teknisissä tiedoissa annetut lämpötilarajat huomioon.
- ▶ Akkuja ei saa säilyttää laturissa. Irrota akku laturista aina latauksen päätyttyä.
- ▶ Älä koskaan varastoi akkuja auringonpaisteessa, lämmönlähteen päällä tai ikkunan vieressä.
- ▶ Varastoi tuote ja akut lasten ja asiattomien henkilöiden ulottumattomissa.
- ▶ Tarkasta tuotteen ja akun mahdolliset vauriot aina ennen käyttöä sekä ennen pitkää varastointia ja sen jälkeen.

9 Apua häiriötilanteisiin

Häiriöissä, joita ei ole kuvattu tässä taulukossa tai joita et itse pysty poistamaan, ota yhteys **Hilti**-huoltoon.

9.1 Vianmääritys

Häiriö	Mahdollinen syy	Ratkaisu
Ei iskuja.	Tuote on liian kylmä.	▶ Aseta tuote pintaa vasten ja anna sen käydä tyhjäkäyntiä. Tarvittaessa toista tämä, kunnes iskumeکانismi toimii.
Akku tyhjenee tavallista nopeammin.	Akun kunto ei optimaalinen.	▶ Vaihda akku.
Akku ei lukitu paikalleen selvästi kaksi kertaa naksauttaen.	Akun salpanokat likaantuneet.	▶ Puhdista salpanokat ja kiinnitä akku uudelleen paikalleen.
Tuote kytkeytyy automaattisesti pois päältä.	Ylikuumentumissuoja lauennut.	Päällä-/pois päältä -merkkivalo vilkkuu. ▶ Vapauta käyttökytkin. Anna tuotteen jäähtyä. Paina käyttökytkintä uudelleen. Kevennä koneen kuormittamista.
Tuote tai akku kuumenee voimakkaasti.	Sähköinen vika.	▶ Kytke tuote heti pois päältä. Irrota akku ja tarkkaile sitä. Anna sen jäähtyä. Ota yhteys Hilti -huoltoon.
	Tuote on ylikuormittunut (käyttökuormitusraja ylittynyt).	▶ Valitse työtehtävään soveltuva tuote.
Akun LED-merkkivalot eivät näytä mitään.	Akku ei kunnolla kiinni.	▶ Kiinnitä akku siten, että se lukittuu paikalleen kuuluvasti kaksi kertaa naksauttaen.
	Akku tyhjentynyt.	▶ Vaihda akku ja lataa tyhjentynyt akku.
	Akku liian kuuma tai liian kylmä.	▶ Anna akun jäähtyä tai lämmitä suositeltuun käyttölämpötilaan.
1 LED-merkkivalo akussa vilkkuu.	Akku tyhjentynyt.	▶ Vaihda akku ja lataa tyhjentynyt akku.
	Akku liian kuuma tai liian kylmä.	▶ Anna akun jäähtyä tai lämmitä suositeltuun käyttölämpötilaan.



Häiriö	Mahdollinen syy	Ratkaisu
4 LED-merkkivalo akussa vilkkuu.	Tuote on hetkellisesti ylikuormittunut.	▶ Vapauta käyttökytkin ja paina sitä uudelleen.
	Ylikuumentumissuoja.	▶ Anna tuotteen jäähtyä ja puhdistajaa jähdytysilmaraot.
Tuotteen teho heikko.	Käyttökytkin ei täysin pohjaan painettuna.	▶ Paina käyttökytkin pohjaan vasteeseen saakka.
	Puolitehon painike painettuna.	▶ Paina puolitehon painiketta.
Työkaluterää ei saa vapautettua lukituksesta.	Istukkaa ei ole vedetty kunnolla taakse.	▶ Vedä työkaluterän lukitsin taaksepäin vasteeseen saakka ja irrota työkaluterä.
	Sivukahva väärin kiinnitetty.	▶ Vapauta sivukahva ja kiinnitä se oikein siten, että kiinnityspanta ja sivukahva lukittuvat syvennykseen.
Tuote ei käynnisty.	Elektroninen käynnistysenesto on kytkeytynyt päälle virran katkeamisen seurauksena.	▶ Kytke tuote pois päältä ja takaisin päälle.
Huoltotarpeen merkkivalo palaa.	Huoltoaika saavutettu.	▶ Korjauta tuote Hilti -huollossa.
Huoltotarpeen merkkivalo vilkkuu.	Tuotteessa vaurio.	▶ Korjauta tuote Hilti -huollossa.
Päällä-/pois päältä -merkkivalo vilkkuu.	Tuote on hetkellisesti ylikuormittunut.	▶ Vapauta käyttökytkin ja paina sitä uudelleen.
	Ylikuumentumissuoja.	▶ Anna tuotteen jäähtyä ja puhdistajaa jähdytysilmaraot.

10 Hävittäminen

Hilti-työkalut, -koneet ja -laitteet on pääosin valmistettu kierrätyskelpoisista materiaaleista. Kierrätyksen edellytys on materiaalin asianmukainen lajittelu. Useissa maissa **Hilti** ottaa vanhat koneet ja laitteet vastaan kierrätystä ja hävitystä varten. Lisätietoja saat **Hilti**-huollosta tai -edustajalta.



- ▶ Älä hävitä sähkötyökaluja, elektronisista laitteita ja akkuja tavallisen sekajätteen mukana!

11 RoHS (vaarallisten aineiden käytön rajoittamisen direktiivi)

Vaarallisten aineiden taulukon löydät seuraavasta linkistä: qr.hilti.com/r10130182.

Linkki RoHS-taulukoon on tämän dokumentaation lopussa QR-koodina.

12 Valmistajan myöntämä takuu

- ▶ Jos sinulla on takuuehtoihin liittyviä kysymyksiä, ota yhteys paikalliseen **Hilti**-edustajaan.

Originaalkasutusjuhend

1 Andmed kasutusjuhendi kohta

1.1 Käesoleva käsitusjuhendi kohta

- Enne seadme kasutuselevõttu lugege läbi kasutusjuhend. See on ohutu kasutamise ja tõrgeteta töö eeldus.
- Järgige käesolevas kasutusjuhendis ja seadmel esitatud ohutusnõudeid ja hoiatusi.
- Hoidke kasutusjuhend alati toote juures ja andke toode teistele isikutele edasi ainult koos käesoleva kasutusjuhendiga.



1.2 Märkide selgitus

1.2.1 Hoiatused

Hoiatused annavad märku toote kasutamisel tekkivatest ohtudest. Kasutatakse järgmisi märksõnu:



OHT

OHT !

- ▶ Võimalikud ohtlikud olukorrad, mis võivad põhjustada kasutaja raskeid kehavigastusi või hukkumist.



HOIATUS

HOIATUS !

- ▶ Võimalik ohtlik olukord, mis võib põhjustada kasutaja raskeid kehavigastusi või hukkumist.



ETTEVAATUST

ETTEVAATUST !

- ▶ Võimalikud ohtlikud olukorrad, mis võivad põhjustada kehavigastusi või varalist kahju.

1.2.2 Sümbolid kasutusjuhendis

Käesolevas kasutusjuhendis kasutatakse järgmisi sümboleid:

	Järgige kasutusjuhendit
	Soovitusi seadme kasutamiseks ja muu kasulik teave
	Taaskasutatavate materjalide käsitlemine
	Elektrilisi tööriistu ja akusid ei tohi visata olmejäätmete hulka
	Hilti Li-Ion-aku
	Hilti Laadimisseade

1.2.3 Joonistel kasutatud sümbolid

Joonistel kasutatakse järgmisi sümboleid.

	Numbrid viitavad vastavatele joonistele kasutusjuhendi juhendi alguses.
	Numbrid joonistel tähistavad tähtsaid toiminguid või toimingute jaoks tähtsaid detaile. Tekstis tõstetakse need toimingud või detailid vastava numbriga abil esile, näiteks (3) .
	Positsiooninumbreid kasutatakse joonisel Ülevaade ja need viitavad selgituste numbritele toote ülevaates .
	See märk näitab, et toote käsitlemisel tuleb olla eriti tähelepanelik.

1.3 Tootepõhised sümbolid

1.3.1 Tootel olevad sümbolid

Tootel võib kasutada järgmisi sümboleid:

	Meiseldamine
	Meisli positioneerimine
	Hooldusnäit
	Läbimõõt
	Nimipöörlemiskiirus tühikäigul



/min	Pööret minutis
---	Alalisvool
	Seade võimaldab juhtmevaba andmeedastust ja ühildub iOS- ja Android-platvormidega.
Li-Ion	Liitumioonaku
	Kasutatud Hilti Li-ioonaku seeria. Pidage kinni peatükis Sihipärane kasutamine toodud juhistest.
	Ärge kasutage akut kunagi löögiriistana.
	Ärge laske akul kunagi maha kukkuda. Ärge kasutage akut, mis on saanud löögi või on muul moel kahjustada saanud.

1.4 Sisse-/väljalülitamine

Sümbolid

	Seade on sisse lülitatud
	Seade on välja lülitatud

1.5 Tooteinfo

HILTI tooted on ette nähtud professionaalsele kasutajale ja neid tohivad käsitseda, hooldada ja korras hoida ainult volitatud ja asjaomase väljaõppega isikud. Nimetatud personal peab olema teadlik kõikidest kaasnevatest ohtudest. Seade ja sellega ühendatavad abivahendid võivad osutada ohtlikuks, kui neid ei kasutata nõuetekohaselt või kui nendega töötab vastava väljaõppeta isik.

Tüübitähis ja seerianumber on tüübisildil.

- Kandke seerianumber järgmise tabelisse. Andmeid toote kohta vajate meie esindusele või hooldekeskusele päringute esitamisel.

Tooteinfo

Piikvasar	TE 500-A36
Pölvkond	04
Seerianumber	

1.6 Vastavusdeklaratsioon

Kinnitame ainuvastutajana, et käesolevas kasutusjuhendis kirjeldatud seade vastab kehtivate direktiivide ja standardite nõuetele: Vastavusdeklaratsiooni ära kirja leiате käesoleva kasutusjuhendi lõpust.

Tehnilised dokumendid on saadaval:

Hilti Entwicklungsgesellschaft mbH | Zulassung Geräte | Hiltistraße 6 | 86916 Kaufering, DE

2 Ohutus

2.1 Üldised ohutusnõuded elektriliste tööriistade kasutamisel

⚠ HOIATUS! Lugege kõiki selle elektrilise tööriista juurde kuuluvaid ohutusjuhiseid, nõuandeid, jooniseid ja tehnilisi andmeid! Järgmiste juhiste eiramise tagajärg võib olla elektrilöökk, tulekahju ja/või rasked vigastused.

Hoidke kõik ohutusnõuded ja juhised edaspidiseks kasutamiseks alles.

Ohutusjuhistes kasutatud mõiste "elektriline tööriist" käib võrgutoitega (toitejuhtmega) elektriliste tööriistade või akutoitega (toitejuhtmeta) elektriliste tööriistade kohta.

Ohutus töökohal

- **Hoidke oma töökoht puhas ja valgustage seda korralikult.** Korrastamata ja valgustamata töökoht võib põhjustada õnnetusi.



- ▶ **Ärge kasutage elektrilist tööriista plahvatusohtlikus keskkonnas, kus leidub tuleohtlikke vedelikke, gaase või tolmu.** Elektrilistest tööriistadest lööb sädemeid, mis võivad tolmu või auru süüdata.
- ▶ **Hoidke lapsed ja kõik teised töökohast eemal, kui kasutate elektrilist tööriista!** Kui teie tähelepanu juhitakse kõrvale, võib seade teie kontrolli alt väljuda.

Elektriohutus

- ▶ **Elektrilise tööriista pistik peab sobima pistikupesaga. Pistiku juures ei tohi teha mingeid muudatusi. Kaitsemaandusega seadmete puhul ei tohi kasutada adapterpistikuid.** Muutmata pistikud ja sobivad pistikupesad vähendavad elektrilöögiohtu.
- ▶ **Vältige keha kontakti maandatud pindadega (nt toru, radiaator, pliit, külmik).** Kui teie keha on maandatud, on elektrilöögi oht suurem.
- ▶ **Kaitske elektrilist tööriista vihma ja niiskuse eest.** Kui elektrilise tööriista sisemusse satub vett, suurendab see elektrilöögiohtu.
- ▶ **Ärge kasutage ühenduskaablit elektrilise tööriista kandmiseks, riputamiseks ega pistiku stepslist väljatõmbamiseks!** Hoidke ühenduskaablit eemal kuumusest, õidest, teravatest servadest ja liikuvatest osadest. Kahjustatud või keerduis ühenduskaablid suurendavad elektrilöögiohtu.
- ▶ **Kui töötate elektrilise tööriistaga vabas õhus, kasutage ainult selliseid pikendusjuhtmeid, mida tohib kasutada ka välitingimustes.** Välitingimustes sobiva pikendusjuhtme kasutamine vähendab elektrilöögiohtu.
- ▶ **Kui seadmega töötamine niiskes keskkonnas on vältimatu, kasutage rikkevoolu kaitseülilitti.** Rikkevoolu kaitseülilitti kasutamine vähendab elektrilöögiohtu.

Inimeste ohutus

- ▶ **Olge tähelepanelik, jälgige, mida teete, ja toimige elektrilise tööriistaga töötades kaalutletult. Ärge töötage elektrilise tööriistaga, kui olete väsinud või alkoholi, narkootikumide või ravimite mõju all!** Hetkeline tähelepanematus elektrilise tööriista kasutamisel võib põhjustada raskeid kehavigastusi ja varalist kahju.
- ▶ **Kandke isiklikke kaitsevahendeid ja alati kaitseprille.** Isiklike kaitsevahendite, nt tolmu maski, libisemiskindlate turvajalatsite, kaitsekiivri või kuulmiskaitsevahendite kandmine (sõltuvalt elektrilise tööriista tüübist ja kasutusala) vähendab vigastusohtu.
- ▶ **Vältige elektrilise tööriista soovimatut käivitamist!** Enne elektrilise tööriista ühendamist vooluvõrku ja/või elektrilise tööriista aku paigaldamist, tööriista ülestõstmist ja kandmist veenduge, et elektriline tööriist on välja lülitatud! Kui hoiate elektrilise tööriista kandmise sõrme lüliti või ühendate vooluvõrku sisselülitatud tööriista, võib juhtuda õnnetus.
- ▶ **Enne elektrilise tööriista sisselülitamist eemaldage selle küljest seade- ja mutrivõtmed.** Elektrilise tööriista pöörleva osa küljes olev seade- või mutrivõti võib põhjustada vigastusi.
- ▶ **Vältige ebatavalist tööasendit! Võtke stabiilne tööasend ja säilitage alati tasakaal.** Nii saate elektrilist tööriista ootamatutes olukordades paremini kontrollida.
- ▶ **Kandke sobivat rõivastust. Ärge kandke laiu riideid ega ehteid!** Hoidke juuksed, rõivad ja kindad seadme liikuvatest osadest eemal. Lotendavad riided, ehted ja pikad juuksed võivad sattuda seadme liikuvate osade vahele.
- ▶ **Kui elektrilise tööriista külge on võimalik paigaldada tolmuemaldus- ja kogumisseadiseid, veenduge, et need on tööriistaga ühendatud ja et neid kasutatakse nõuetekohaselt.** Tolmuemaldus-seadise kasutamine võib vähendada tolmu taset tingitud ohte.
- ▶ **Ärge laske tekkida petlikul turvatundel ega eirake elektrilise tööriista ohutusreegleid isegi siis, kui olete pärast paljukordset kasutamist elektrilise tööriistaga harjunud.** Tähelepanematu käsitsemine võib sekundi mürdosa jooksul kaasa tuua raskeid vigastusi.

Elektrilise tööriista kasutamine ja käsitsemine

- ▶ **Ärge koormake seadet üle!** Kasutage konkreetseks tööks sobivat elektrilist tööriista. See töötab ettenähtud jõudluspiirides tõhusamalt ja ohutumalt.
- ▶ **Ärge kasutage elektrilist tööriista, mille lüliti on rikkis!** Elektriline tööriist, mida ei saa enam lülitist korralikult sisse ja välja lülitada, on ohtlik ning tuleb viia parandusse.
- ▶ **Tõmmake enne seadme mis tahes seadetöid, tarvikute vahetamist ja seadme hoielepanekut pistik pistikupesast välja ja/või eemaldage ära võetav aku.** See ettevaatusabinõu hoiab ära seadme soovimatu käivitumise.
- ▶ **Kasutusvälisel ajal hoidke elektrilist tööriista lastele kättesaamatus kohas. Ärge laske seadet kasutada isikutel, kes seadme tööpõhimõtet ei tunne või ei ole lugenud käesolevaid kasutusjuhendeid.** Asjatundmatute isikute käes on elektrilised tööriistad ohtlikud.
- ▶ **Hooldage elektrilisi tööriistu ja tarvikuid korralikult. Kontrollige, kas liikuvad osad töötavad veatult ega kiilu kiini.** Veenduge, et seadme osad ei ole murdunud või kahjustatud määral, mis mõjutab seadme töökindlust. Laske kahjustatud osad enne seadme kasutamist parandada. Ebapiisavalt hooldatud elektrilised tööriistad põhjustavad õnnetusi.



- ▶ **Hoidke lõiketarvikud teravad ja puhtad.** Hästi hooldatud, teravate lõikeservadega lõiketarvikud kiiluvad harvemini kinni ja neid on lihtsam juhtida.
- ▶ **Kasutage elektrilist tööriista, tarvikuid ja lisatarvikuid vastavalt nendele juhistele.** Arvestage seejuures töötajate ja tehtava töö iseloomuga. Elektrilise tööriista kasutamine otstarbel, milleks see ei ole ette nähtud, võib põhjustada ohtlikke olukordi.
- ▶ **Käepidemed ja haardepinnad peavad olema kuivad, puhtad ning vabad õlist ja rasvast.** Libedad käepidemed ja haardepinnad ei võimalda elektrilist tööriista ootamatutes olukordades kindlat käsitseja ega kontrollida.

Akuga tööriista kasutamine ja käsitsemine

- ▶ **Laadige akusid ainult tootja soovitatud laadimisseadmega.** Kui teatud tüüpi aku laadimiseks ettenähtud laadimisseadet kasutatakse teist tüüpi akude laadimiseks, tekib tulekahjuoht.
- ▶ **Kasutage elektrilistes tööriistades ainult ettenähtud akusid.** Teist tüüpi akude kasutamine võib põhjustada vigastus- ja põlenguohtu.
- ▶ **Hoidke akud kasutusvälistel ajal eemal kirjaklambritest, müntidest, võtmetest, naeltest, kruvidest ja teistest väikestest metallasemetest, mis võivad aku kontaktid omavahel ühendada.** Aku kontaktide vahel tekkinud lühis võib põhjustada põletuse või tulekahju.
- ▶ **Väärkasutuse korral võib akuvedelik akust välja voolata. Vältige sellega kokkupuudet. Juhusliku kokkupuute korral loputage kahjustatud kohta veega. Kui vedelik satub silma, otsige ka arstiabi.** Väljavoolav akuvedelik võib põhjustada nahaärritust või põletust.
- ▶ **Ärge kasutage kahjustatud ega modifitseeritud akut!** Kahjustatud või modifitseeritud akud võivad käituda ettenägematult ja põhjustada tulekahju, plahvatusi või vigastusohu.
- ▶ **Ärge laske akul kokku puutuda tule ega liiga kõrge temperatuuriga!** Tuli või temperatuur üle 130 °C (265 °F) võivad tekitada plahvatusi.
- ▶ **Järgige kõiki laadimisjuhiseid ja ärge kunagi laadige akut ega akutööriista väljaspool kasutusjuhendis näidatud temperatuurivahemikku.** Väär laadimine või laadimine väljaspool lubatud temperatuurivahemikku võib kahjustada akut ja suurendada tuleohtu.

Hooldus

- ▶ **Laske elektrilist tööriista parandada ainult kvalifitseeritud spetsialistidel, kes kasutavad originaalvaruosi.** Nii on tagatud elektrilise tööriista ohutu töö.
- ▶ **Ärge hooldage kahjustatud akut!** Akut võib hooldada ainult tootja või volitatud klienditeenindus.

2.2 Ohutusnõuded puurvasaratega töötamisel

Ohutusnõuded kõikide tööde puhul

- ▶ **Kandke kuulmiskaitsevahendeid.** Müra võib kahjustada kuulmist.
- ▶ **Kasutage tarnekomplekti kuuluvaid lisakäepidemeid.** Kontrolli kaotus seadme üle võib põhjustada vigastusi.
- ▶ **Kui teete töid, mille puhul võib tarvik tabada varjatud elektrijuhtmeid, hoidke seadet isoleeritud haardepinnast.** Kokkupuude pingestatud elektrijuhtmega võib seada pingele alla ka seadme metalldetailid ja põhjustada elektrilöögi.

2.3 Täiendavad ohutusnõuded Piikvasar

Inimeste turvalisus

- ▶ Kasutage seadet ja lisatarvikuid ainult siis, kui nende tehniline seisukord on veatu.
- ▶ Ärge kunagi muutke ega modifitseerige seadet ega lisatarvikuid.
- ▶ Lagede, seinte ja põrandate meiseldamisel võtke ohutu ja stabiilne asend. Äkiline läbimurre võib teid tasakaalust välja viia!
- ▶ Läbistavate tööde korral ümbritsege kaitsepiiridega töödeldava koha taha jääv ala. Väljamurtavad tükid võivad välja ja/või alla kukkuda ning teisi inimesi vigastada.
- ▶ Seadme kasutaja ja läheduses viibivad inimesed peavad kandma sobivaid kaitseprille, kaitsekiivrit, kuulmiskaitsevahendeid ja kergest hingamisteede kaitsemaski.
- ▶ Tarviku vahetamisel kandke kaitsekindaid. Tarviku puudutamine võib tekitada lõikehaavu ja põletusi.
- ▶ Kasutage kaitseprille. Materjalist väljalendavad killud võivad tekitada keha- ja silmavigastusi.



- ▶ Lihvimisel, lõikamisel ja puurimisel tekivad tolmu osakesed võivad sisaldada ohtlikke kemikaale. Mõned näited: plii või pliipõhised värvid; tellis, betoon ja muu müüritis, looduskivi ja muud silikaati sisaldavad tooted; teatud tüüpi puit, näiteks tamm, pöök ja keemiliselt töödeldud puit; asbest või asbesti sisaldavad materjalid. Tehke kindlaks kasutaja ja teiste läheduses viibivate isikutega kokkupuute tase, arvestades töödeldavate materjalide ohuklassi. Võtke vajalikud meetmed, et hoida kokkupuude ohutul tasemel, nt kasutage tolmukogumissüsteemi või kandke sobivat hingamisteede kaitse maski. Kokkupuute vähendamise üldiste meetmete hulka kuuluvad:
 - ▶ töötamine hästi ventileeritud piirkonnast,
 - ▶ tolmuga pikaajalise kokkupuute vältimine,
 - ▶ tolmuaemajuhimine näost ja kehast,
 - ▶ kaitserõivaste kandmine ja nähtavate kohtade pesemine vee ja seebiga.
- ▶ Tehke tihti pause ja sirutage sõrmi, et parandada verevarustust. Pikemaajalisel töötamisel võib tugev vibratsioon tekitada häireid sõrmede, käte või randmeliigeste veresoonte ja närvisüsteemi toimimises.

Elektriõhusus

- ▶ Veenduge enne töö alustamist, et tööpiirkonnas ei ole varjatult paigaldatud elektrikaableid ega gaasi- ja veetorustikke. Pingestatud elektrijuhtme, gaasi- või veetoru vigastamise korral võivad seadme välised metalliosad sattuda põhjustada plahvatuse või elektrilöögi.

Elektriliste tööriistade hoolikas käsitsemine ja kasutamine

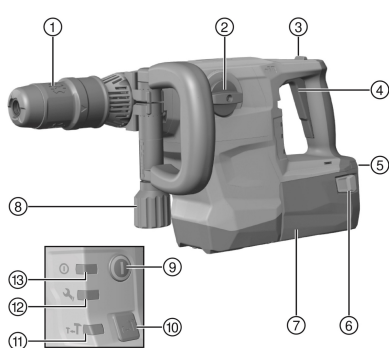
- ▶ Enne käestpanekut oodake, kuni seade on täielikult seiskunud.

2.4 Akude hoolikas käsitsemine ja kasutamine

- ▶ Järgige liitiumioonakude veo, ladustamise ja käsitamise suhtes kehtivaid erinõudeid.
- ▶ Kaitske akusid kõrgete temperatuuride ja otsese päikese kiirguse ja tule eest.
- ▶ Akusid ei tohi lahti võtta, kokku muljuda, kuumutada üle 80°C (176°F) ega põletada.
- ▶ Ärge kasutage ega laadige akusid, mis on saanud löögi, kukkunud kõrgemalt kui üks meeter või muul viisil vigastada saanud. Võtke sellisel juhul alati ühendust **Hilti hooldekeskusega**.
- ▶ Kui aku on nii kuum, et seda ei saa puudutada, võib aku olla defektne. Asetage aku nähtavasse tulekindlasse kohta, mis on süttivatest materjalidest piisavalt kaugel. Laske akul jahtuda. Kui aku on ühe tunni pärast ikka veel liiga kuum, et seda puudutada saaks, siis on aku defektne. Võtke ühendust **Hilti hooldekeskusega**.

3 Kirjeldus

3.1 Toote ülevaade 1



- 1 Padrun
- 2 Töörežiimilüliti
- 3 Pideva töörežiimi lukustusnupp (ainult meiseldamine)
- 4 Juhtlüliti
- 5 Laetuse astme ja veanäit (liitiumioonaku)
- 6 Vabastusnupud koos lisafunktsiooniga laetuse astme näidu aktiveerimiseks
- 7 Aku
- 8 Lisakäepide
- 9 Lüliti (sisse/välja)
- 10 Poole võimsuse lüliti
- 11 Poole võimsuse näit
- 12 Hooldusnäit
- 13 sisse-/välja-näit

3.2 Kasutusotstarve

Kirjeldatud toode on pneumaatilise löögimehhanismiga varustatud akupiiikvasar. Seade on ette nähtud kergeteks kuni keskmisteks meiseldustöödeks müüritises ning betooni järeltöötlemiseks.

- ▶ Selle toote jaoks kasutage vaid B 36 tüüpi **Hilti** liitiumioonakusid.
- ▶ Nende akude laadimiseks kasutage üksnes **Hilti** C4/36-seeria laadimiseadmeid.



3.2.1 Võimalik väärkasutus

- Seade ei ole ette nähtud tervisekahjulike materjalide töötlemiseks.
- Seade ei ole ette nähtud niiskes keskkonnas töötamiseks.

3.3 Active Vibration Reduction

Seade on varustatud Active Vibration Reduction (AVR) süsteemiga, mis vibratsiooni tuntavalt vähendab.

3.4 Hooldusnäit

Tootel on valgussignaali hooldusnäit.

3.4.1 MMI

Seisund	Tähendus
Hooldusnäit põleb.	Käes on hoolduse tähtaeg.
Hooldusnäit vilgub.	Laske seade Hilti hooldekeskuses parandada.
Sisse-/välja-näit põleb.	Seade on sisse lülitatud
Sisse-/välja-näit vilgub.	Seade on ajutise tõrke tõttu välja lülitatud.
Sisse-/välja-näit on välja lülitatud.	Seade on välja lülitatud.
Näit pool võimsust põleb.	Seade töötab poole võimsusega.
Näit poolt võimsust on välja lülitatud.	Seade töötab täisvõimsusega.

3.4.2 Liitumioonaku näidik

Liitumioonaku laetuse taset ja seadme häireid signaliseeritakse liitumioonaku näidiku abil. Liitumioonaku laetuse taset näete, kui vajutate ühele kahest aku vabastusnupust.

Seisund	Tähendus
4 LED-tuld põlevad.	Laetuse tase: 75% kuni 100%
3 LED-tuld põlevad.	Laetuse tase: 50% kuni 75%
2 LED-tuld põlevad.	Laetuse tase: 25% kuni 50%
1 LED-tuli põleb.	Laetuse tase: 10% kuni 25%
1 LED-tuli vilgub.	Laetuse tase: < 10%
1 LED-tuli vilgub, seade ei ole töövalmis.	Aku on üle kuumenenud või täielikult tühjenenud.
4 LED-tuld vilguvad, seade ei ole töövalmis.	Seade on üle koormatud või üle kuumenenud.

Aku laetuse taset ei saa lugeda ajal, mil juhtlüliti on alla vajutatud, ja kuni 5 sekundi vältel pärast juhtlüliti vabastamist.

Kui aku laetuse taseme indikaatori LED-tuled vilguvad, tegutsege vastavalt punktis „Abi tõrgete puhul” toodud juhiste.

3.5 Tarnekomplekt

Piikvasar, lisakäepide, kasutusjuhend.

Muud süsteemitooded leiате müügiesindusest **Hilti Store** või veebisaidilt: www.hilti.group

4 Tehnilised andmed

	TE 500-A36
Nimipinge	36 V
Kaal EPTA-Procedure 01 kohaselt	7,9 kg
Löögienergia EPTA-Procedure 05 kohaselt	7,8 J
Padrun	TE-Y
Hoiutemperatuur	-20 °C ... 70 °C
Ümbritseva keskkonna temperatuur töötamise ajal	-17 °C ... 60 °C



4.1 Andmed müra ja vibratsiooni kohta vastavalt standardile EN 62841

Käesolevas juhendis märgitud helirõhu- ja vibratsioonitase on mõõdetud standarditud mõõtemeetodil ja seda saab kasutada elektriliste tööriistade omavaheliseks võrdlemiseks. See sobib ka vibratsiooni- ja mürataseme esialgseks hindamiseks.

Toodud näitajad iseloomustavad elektrilise tööriista põhilisi ettenähtud töid. Kui aga elektrilist tööriista kasutatakse muul otstarbel, teiste tarvikutega või kui tööriista on ebapiisavalt hooldatud, võivad näitajad käesolevas juhendis toodud näitajatest kõrvale kalduda. See võib vibratsiooni- ja mürataset töötamise koguperioodil tunduvalt suurendada.

Müra- ja vibratsioonitaseme täpseks hindamiseks tuleb arvesse võtta ka aega, mil elektriline tööriist oli välja lülitatud või küll sisse lülitatud, kuid tegelikult tööle rakendamata. See võib vibratsiooni- ja mürataset töötamise koguperioodil tunduvalt vähendada.

Kasutaja kaitseks müra ja/või vibratsiooni eest võtke tarvitusele täiendavaid kaitsemeetmeid, näiteks: hoidke elektrilist tööriista ja tarvikuid korralikult, hoidke käed soojad, tagage sujuv töökorraldus.

Andmed müra kohta vastavalt standardile EN 62841

	TE 500-A36
Helirõhutase (LpA)	91 dB
Helirõhutaseme mõõtemääramatus (KpA)	3 dB
Helivõimsustase (LWA)	102 dB
Helivõimsustaseme mõõtemääramatus (KWA)	3 dB

Vibratsioonitase vastavalt standardile EN 62841

		TE 500-A36
Meiseldamine betoonis ($a_{h, C_{Heq}}$)	B 36/5.2	7,9 m/s ²
	B 36/9.0	7,4 m/s ²
Mõõtemääramatus (K)		1,5 m/s ²

5 Aku

Aku tööpinge	36 V
Ümbritseva keskkonna temperatuur töötamise ajal	-17 °C ... 60 °C
Hoiutemperatuur	-20 °C ... 40 °C
Aku temperatuur laadimise alguses	-10 °C ... 45 °C

6 Käsitsemine

6.1 Töö ettevalmistamine



Enne seadme seadistamist ja tarvikute vahetamist lülitage seade välja või eemaldage aku.

Järgige kasutusjuhendis esitatud ja tootele märgitud ohutusnõudeid ja hoiatusi.

6.1.1 Aku paigaldamine



HOIATUS

Vigastuste oht lühise või allakukkunud aku tõttu!

- ▶ Enne aku paigaldamist veenduge, et aku ja seadme kontaktidel ei ole võõrkehaseid.
- ▶ Veenduge, et aku fikseerub alati korrektselt kohale.

1. Enne esmakordset kasutamist laadige aku täiesti täis.
2. Lükake aku seadmesse, kuni see kuuldavalt kohale fikseerub.
3. Kontrollige aku kindlat kinnitumist.

6.1.2 Aku eemaldamine

1. Vajutage aku vabastusnuppudele.
2. Tõmmake aku seadmest välja.



6.1.3 Aku laadimine

1. Enne laadimist lugege laadimisseadme kasutusjuhendit.
2. Veenduge, et aku ja laadimisseadme kontaktid on puhtad ja kuivad.
3. Laadige akut selleks ettenähtud laadimisseadmega. → Lehekülj 63

6.1.4 Lisakäepideme paigaldamine 2

ETTEVAATUST

Vigastuste oht Piikvasara üle kontrolli kaotamine.

- ▶ Veenduge, et lisakäepide on korrektselt paigaldatud ja nõuetekohaselt kinnitatud.

1. Lülitage seade välja.
2. Keerake käepidemest, et lisakäepideme kinnitusmehhanismi (kinnitusriba) vabastada.
3. Lükake kinnitusmehhanism (kinnitusriba) eest üle padruni selleks ettenähtud soonde.
4. Seadke lisakäepide soovitud asendisse.
5. Keerake käepidemest, et lisakäepideme kinnitusmehhanismi (kinnitusriba) kinni pingutada.

6.1.5 Võimsuse seadmine



Pärast aku paigaldamist on seade alati reguleeritud täisvõimsusele.

1. Vajutage poole võimsuse nupule. Seade lülitub poolele võimsusele.
 - ▶ "Poole võimsuse" näit põleb.
2. Vajutage poole võimsuse nupule uuesti. Seade lülitub täisvõimsusele.
 - ▶ "Poole võimsuse" näit kustub.

6.1.6 Tarviku paigaldamine / eemaldamine 3

OHT

Tulekahju oht Kuuma tööriista kokkupuutel kergsüttivate materjalidega võib puhkeda tulekahju.

- ▶ Ärge asetage kuuma tööriista tuleohtlikele materjalidele.

HOIATUS

Vigastuste oht! Seade läheb kasutades kuumaks.

- ▶ Tarvikut vahetades kandke kaitsekindaid!



Ebasobiva määrde kasutamine võib seadet kahjustada. **Kasutage üksnes Hilti originaalmääret.**

1. Määrige tarviku padrunisse kinnitatavat osa veidi.
 - ▶ Kasutage üksnes **Hilti** originaalmääret. Vale määre võib seadet kahjustada.
2. Seadke töörežiimilüliti asendisse "Meiseldamine" **T**.
3. Torgake tarvik lõpuni padrunisse ja laske kohale fikseeruda.
4. Pärast paigaldamist tõmmake tarvikust, et kontrollida, kas see on kindlalt kinni.
 - ▶ Seade on töövalmis.
5. Tõmmake padruni lukustus lõpuni tagasi ja eemaldage tarvik.

6.2 Töötamine

ETTEVAATUST

Vigastuste oht Piikvasara üle kontrolli kaotamine.

- ▶ Veenduge, et lisakäepide on korrektselt paigaldatud ja nõuetekohaselt kinnitatud.

Järgige kasutusjuhendis esitatud ja tootele märgitud ohutusnõudeid ja hoiatusi.



6.3 Meisli positsioneerimine 4

ETTEVAATUST

Vigastuste oht! Meisli üle kontrolli kaotamine.

- ▶ Ärge töötage asendis "meisli positsioneerimine". Seadke ja fikseerige töörežiimilüliti asendisse "meiseldamine".

Meislit saab lukustada 24 erinevasse asendisse (15° sammuga). Nii on lapik- ja profiilmeislitega võimalik alati töötada optimaalses tööasendis.

1. Lülitage seade välja.
2. Seadke töörežiimilüliti asendisse "Meisli positsioneerimine" .
3. Keerake meisel soovitud asendisse.
4. Seadke töörežiimilüliti sellele sümbolile: **T**, kuni see fikseerub kohale.
 - ▶ Seade on töövalmis.

6.3.1 Meiseldamine

- ▶ Seadke töörežiimilüliti asendisse "Meiseldamine" **T**.



Hoidke seadet alati kahe käega. Hoidke seade puhtana ja vabana õlist ning rasvast.



Pärast töötamist ärge asetage kuuma seadet tuleohtlike materjalide peale. Need võivad süttida.

6.3.2 Pideva töörežiimi sisse-/väljalülitamine 5



Meiseldusrežiimis saate juhtlüliti sisselülitatud olekus lukustada.

1. Lükake pideva töö režiimi lukustusnupp ette.
2. Vajutage juhtlüliti lõpuni alla.
 - ▶ Seade töötab nüüd pideva töö režiimis.
3. Lükake pideva töö režiimi lukustusnupp taha.
 - ▶ Seade lülitub välja.

7 Hooldus ja korrashoid

HOIATUS

Vigastuste oht paigaldatud aku korral !

- ▶ Enne mis tahes hooldus- ja korrashoiutöid eemaldage seadmest aku!

Toote hooldus

- Kõvasti kinni olev mustus eemaldage ettevaatlikult.
- Ventilatsiooniavad puhastage ettevaatlikult kuiva, pehme harjaga.
- Puhastage korpust ainult veidi niiske lapiga. Ärge kasutage silikooni sisaldavaid hooldusvahendeid, sest need võivad kahjustada seadme plast detaile.
- Seadme kontaktide puhastamiseks kasutage puhast kuiva lappi.

Liitium-ioonakude hooldus

- Ärge kunagi kasutage akut, mille ventilatsiooniavad on ummistunud. Puhastage ventilatsiooniavasid ettevaatlikult kuiva, pehme harjaga.
- Kaitske akut tolmu ja mustuse eest. Ärge jätke akut kunagi suure niiskuse kätte (ärge asetage seda vette ja ärge jätke vihma kätte). Kui aku on märjaks saanud, siis käsitlege seda nii, nagu oleks see kahjustatud. Isoleerige aku tulekindlas anumask ja pöörduge **Hilti** hooldakeskusesse.



- Hoidke aku puhas õlist ja rasvast. Vältige akusse asjatult tolmuga ja mustuse kogunemist. Puhastage akut kuiva pehme harjaga või puhta kuiva lapiga. Ärge kasutage silikooni sisaldavaid hooldusvahendeid, sest need võivad kahjustada seadme plastdetalle.
Ärge puudutage aku kontakte ja ärge eemaldage kontaktidelt tehases peale kantud mäaret.
- Puhastage korpust ainult veidi niiske lapiga. Ärge kasutage silikooni sisaldavaid hooldusvahendeid, sest need võivad kahjustada seadme plastdetalle.

Korrashoid

- Kontrollige regulaarselt, kas kõik nähtavad osad on terved ja juhtelemendid töötavad veatult.
- Ärge kasutage seadet kahjustuste ja/või tõrgete korral. Laske seade kohe parandada **Hilti** hooldekeskuses.
- Pärast hooldus- ja korrashoiutöid paigaldage kõik kaitseseadised ja kontrollige, kas need töötavad veatult.



Ohutu töö tagamiseks kasutage ainult originaalvaruosi ja -materjale. **Hilti** heakskiidetud varuosad, materjalid ja lisatarvikud oma tootele leiute müügiesindusest **Hilti Store** või veebilehelt: www.hilti.group

8 Akutööriistade ja akude transport ja ladustamine

Transport

ETTEVAATUST

Soovimatu käivitamine transportimisel !

- ▶ Transportige tooteid ilma akudeta!
- ▶ Eemaldage aku/akud.
- ▶ Ärge kunagi transportige akusid lahtiselt. Enne aku transportimist tuleb aku pakendada nii, et see oleks kaitstud löökide ja vibratsiooni eest ning isoleeritud kõikidest elektrit juhtivatest materjalidest või teistest akudest, et vältida kokkupuudet teise aku poolustega ning lühise teket. **Järgige akude transpordi suhtes kehtivaid riigisiseid nõudeid.**
- ▶ Akusid ei tohi saata posti teel. Kahjustamata akude saatmiseks pöörduge logistikaettevõtja poole.
- ▶ Iga kord enne kasutamist ning enne ja pärast pikemat transporti või hoiustamist kontrollige seadet ja akusid vigastuste suhtes.

Hoiustamine

HOIATUS

Defektssed akud või lekkivad akud võivad tekitada vigastusi !

- ▶ Kasutusvälisel ajal eemaldage seadmest aku!
- ▶ Hoidke seadet ja akusid jahedas ja kuivas kohas. Pidage kinni tehnilistes andmetes toodud temperatuuripiirangutest.
- ▶ Ärge hoidke akusid laadimisseadmes. Pärast laadimist eemaldage aku laadimisseadmest.
- ▶ Ärge hoidke akusid päikese käes, radiaatori peal või klaasi taga.
- ▶ Hoidke seadet ja akusid lastele ja kõrvalistele isikutele ligipääsmatus kohas.
- ▶ Iga kord enne kasutamist ning enne ja pärast pikemaajalist seismist kontrollige seadet ja akusid kahjustuste suhtes.

9 Abi tõrgete puhul

Kui peaks esinema tõrge, mida ei ole järgmises tabelis nimetatud või mida Te ei suuda ise kõrvaldada, pöörduge **Hilti** hooldekeskusse.

9.1 Veotsing


Tõrge	Võimalik põhjus	Lahendus
Puudub löögifunktsioon.	Seade on liiga külm.	▶ Asetage seade pinnale ja laske sellel töötada tühikäigul. Vajaduse korral korrake, kuni löögimehhanism hakkab tööle.
Aku tühjeneb tavalisest kiiremini.	Aku seisund ei ole optimaalne.	▶ Vahetage aku välja.



Tõrge	Võimalik põhjus	Lahendus
Aku ei fikseeru kuuldava topeltklõpsuga kohale.	Aku fiksaatorninad on määratud.	<ul style="list-style-type: none"> ▶ Puhastage fiksaatorninad ja paigaldage aku uuesti.
Seade lülitub automaatselt välja.	Ülekoormuskaitse on aktiveeritud.	<p>Sisse-/välja-näit vilgub.</p> <ul style="list-style-type: none"> ▶ Vabastage juhtlüliti. Laske seadmel jahtuda. Vajutage juhtlüliti uuesti alla. Vähendage seadmele avalduvat koormust.
Seade või aku läheb väga kuumaks.	Elektriline rike.	<ul style="list-style-type: none"> ▶ Lülitage seade kohe välja. Eemaldage aku ja ärge jätke seda järelevalveta. Laske akul jahtuda. Võtke ühendust Hilti hooldekeskusega.
	Seade on üle koormatud (seadme jõudluspiirid on ületatud).	<ul style="list-style-type: none"> ▶ Valige konkreetseks tööks sobiv seade.
Aku LED-tuled on kustunud.	Aku ei ole täielikult sisse pandud.	<ul style="list-style-type: none"> ▶ Laske akul topeltklõpsuga kohale fikseeruda.
	Aku on tühi.	<ul style="list-style-type: none"> ▶ Vahetage aku ja laadige tühi aku täis.
	Aku on liiga kuum või liiga külm.	<ul style="list-style-type: none"> ▶ Laske akul soojeneda/jahtuda soovituslikule töötemperatuurile.
Akul vilgub 1 LED-tuli.	Aku on tühi.	<ul style="list-style-type: none"> ▶ Vahetage aku ja laadige tühi aku täis.
	Aku on liiga kuum või liiga külm.	<ul style="list-style-type: none"> ▶ Laske akul soojeneda/jahtuda soovituslikule töötemperatuurile.
Akul vilguvad 4 LED-tuld.	Seade on lühikest aega üle koormatud.	<ul style="list-style-type: none"> ▶ Vabastage juhtlüliti ja vajutage sellele uuesti.
	Ülekuumenemiskaitse.	<ul style="list-style-type: none"> ▶ Laske seadmel jahtuda ja puhastage ventilatsioonivad.
Seade ei tööta täisvõimsusel.	Juhtlüliti ei ole lõpuni sisse vajutatud.	<ul style="list-style-type: none"> ▶ Vajutage juhtlüliti lõpuni.
	Poole võimsuse nupp on sisse lülitatud.	<ul style="list-style-type: none"> ▶ Vajutage poole võimsuse nupule.
Tarvikut ei saa padrunist vabastada.	Padrun ei ole täielikult tagasi tõmmatud.	<ul style="list-style-type: none"> ▶ Tõmmake padrun lõpuni tagasi ja eemaldage tarvik.
	Lisakäepide ei ole korrektselt monteeritud.	<ul style="list-style-type: none"> ▶ Vabastage lisakäepide ja monteeri see õigesti, nii et kinnitusriba ja lisakäepide fikseeruvad süvendisse.
Seade ei käivitu.	Elektrooniline käivitustõkis on pärast voolukatkestust aktiveerunud.	<ul style="list-style-type: none"> ▶ Lülitage seade välja ja uuesti sisse.
Hooldusnäit põleb.	On käes hoolduse tähtaeg.	<ul style="list-style-type: none"> ▶ Laske seade Hilti hooldekeskuses parandada.
Hooldusnäit vilgub.	Seade on kahjustatud.	<ul style="list-style-type: none"> ▶ Laske seade Hilti hooldekeskuses parandada.
Sisse-/välja-näit vilgub.	Seade on lühikest aega üle koormatud.	<ul style="list-style-type: none"> ▶ Vabastage juhtlüliti ja vajutage sellele uuesti.
	Ülekuumenemiskaitse.	<ul style="list-style-type: none"> ▶ Laske seadmel jahtuda ja puhastage ventilatsioonivad.



10 Utiliseerimine

 **Hilti** seadmed on suures osas valmistatud taaskasutatavatest materjalidest. Taaskasutuse eelduseks on materjalide korralik sorteerimine. Paljudes riikides kogub **Hilti** kasutusressursi ammendanud seadmed kokku. Lisateavet saate **Hilti** müügiesindusest.



- ▶ Ärge visake kasutusressursi ammendanud elektrilisi tööriistu, elektroonikaseadmeid ja akusid olmejäätmete hulka!

11 RoHS (direktiiv ohtlike ainete kasutamise piirangute kohta)

Järgmiselt lingilt leiate ohtlike ainete tabeli: qr.hilti.com/r10130182.

RoHS-tabeli juurde viiva lingi leiate käesoleva dokumendi lõpust QR-koodina.

12 Tootja garantii

- ▶ Garantiitingimusi puudutavates küsimustes pöörduge oma kohaliku **Hilti** partneri poole.

Originaaläe lietošanas instrukcija

1 Informācija par lietošanas instrukciju

1.1 Par šo lietošanas instrukciju

- Pirms ekspluatācijas sākšanas obligāti izlasiet šo lietošanas instrukciju. Tas ir priekšnoteikums darba drošībai un izstrādājuma lietošanai bez traucējumiem.
- Ievērojiet drošības norādījumus un brīdinājumus, kas atrodami šajā lietošanas instrukcijā un uz izstrādājuma.
- Vienmēr glabājiet lietošanas instrukciju izstrādājuma tuvumā un, nododot izstrādājumu citai personai, vienmēr dotiet līdzī šo lietošanas instrukciju.

1.2 Apzīmējumu skaidrojums

1.2.1 Brīdinājumi

Brīdinājumi pievērš uzmanību bīstamībai, kas pastāv, strādājot ar izstrādājumu. Tiek lietoti šādi signālvārdi:

 **BĪSTAMI!**

BĪSTAMI! !

- ▶ Pievērš uzmanību draudošām briesmām, kas var izraisīt smagus miesas bojājumus vai nāvi.

 **BRĪDINĀJUMS!**

BRĪDINĀJUMS! !

- ▶ Pievērš uzmanību iespējamam apdraudējumam, kas var izraisīt smagas traumas vai pat nāvi.

 **IEVĒROT PIESARDZĪBU!**

UZMANĪBU! !

- ▶ Norāda uz iespējami bīstamām situācijām, kas var izraisīt traumas vai materiālos zaudējumus.

1.2.2 Simboli lietošanas instrukcijā

Šajā lietošanas instrukcijā tiek izmantoti šādi simboli:



Ievērojiet lietošanas instrukciju



Norādījumi par lietošanu un cita noderīga informācija



Rīcība ar otrreiz pārstrādājamiem materiāliem



	Neizmetiet elektroiekārtas un akumulatorus sadzīves atkritumos.
	Hilti Litija jonu akumulators
	Hilti Lādētājs

1.2.3 Attēlos lietotie simboli

Attēlos tiek lietoti šādi simboli:

	Šis skaitļi norāda uz attiecīgajiem attēliem, kas atrodami šīs lietošanas instrukcijas sākumā.
3	Numerācija attēlos norāda uz svarīgām darbībām vai detaļām, kas ir svarīgas noteiktām darbībām. Tekstā šīs darbības vai detaļas ir izceltas, apzīmējot ar atbilstošiem numuriem, piemēram, (3) .
	Pozīciju numuri tiek lietoti attēlā Pārskats un norāda uz leģendas numuriem sadaļā Izstrādājuma pārskats .
	Šī simbola uzdevums ir pievērst īpašu uzmanību izstrādājuma lietošanas laikā.

1.3 Simboli atkarībā no izstrādājuma

1.3.1 Simboli uz izstrādājuma

Uz izstrādājuma var tikt lietoti šādi simboli:

	Kalšana
	Kalta pozicionēšana
	Servisa indikācija
	Diametrs
n_0	Nominālais apgriezīenu skaits tukšgaitā
/min	Apgriezīenu skaits minūtē
	Līdzstrāva
	Izstrādājums atbalsta bezvadu datu pānesi, kas ir saderīga ar iOS un Android platformām.
Li-Ion	Litija jonu akumulators
	Lietojamā Hilti litija jonu akumulatoru sērija. Ņemiet vērā informāciju, kas iekļauta nodaļā Nosacījumiem atbilstīga lietošana .
	Nekādā gadījumā nelietojiet akumulatoru kā triecieninstrumentu.
	Sargājiet akumulatoru no kritieniem. Nelietojiet akumulatoru, ja tas ir bijis pakļauts triecienam vai tam ir radušies cita veida bojājumi.

1.4 Ieslēgšana / izslēgšana

Simboli

	Izstrādājums ir ieslēgts
	Izstrādājums ir izslēgts

1.5 Izstrādājuma informācija

HILTI izstrādājumi ir paredzēti profesionāliem lietotājiem, un to darbināšanu, apkopi un tehniskā stāvokļa uzturēšanu drīkst veikt tikai kvalificēts, atbilstīgi apmācīts personāls. Personālam ir jābūt labi



informētam par iespējamajiem riskiem, kas var rasties darba laikā. Izstrādājums un tā papildaprīkojums var radīt bīstamas situācijas, ja to iztīc neprofesionālam personālam vai nelieto atbilstīgi nosacījumiem.

Iekārtas tipa apzīmējums un sērijas numurs ir norādīti uz identifikācijas datu plāksnītes.

- ▶ Ierakstiet sērijas numuru zemāk redzamajā tabulā. Izstrādājuma dati jānorāda, vērojoties mūsu pārstāvnīcībā vai servisā.

Izstrādājuma dati

Atskaldāmais āmurs	TE 500-A36
Paaudze	04
Sērijas Nr.	

1.6 Atbilstības deklarācija

Uzņemoties pilnu atbildību, mēs apļiecinām, ka šeit aprakstītais izstrādājums atbilst šādām direktīvām un standartiem: Atbilstības deklarācijas attēls ir atrodams šīs dokumentācijas beigās.

Tehniskā dokumentācija ir saglabāta šeit:

Hilti Entwicklungsgesellschaft mbH | Zulassung Geräte | Hiltistraße 6 | 86916 Kaufering, DE

2 Drošība

2.1 Vispārīgi drošības norādījumi par darbu ar elektroiekārtām

⚠ BRĪDINĀJUMS! Iepazīstieties ar visiem drošības norādījumiem, instrukcijām, attēliem un tehniskajiem parametriem, kas attiecas uz šo elektroiekārtu. Turpmāk izklāstīto instrukciju neievērošana var izraisīt elektrošoku, ugunsgrēku un/vai nopietnas traumas.

Saglabājiēt visus drošības norādījumus un instrukcijas turpmākai lietošanai.

Drošības norādījumos lietotais apzīmējums "elektroiekārta" attiecas uz iekārtām ar tīkla barošanu (ar barošanas kabeli) vai iekārtām ar barošanu no akumulatora (bez kabeļa).

Drošība darba vietā

- ▶ **Uzturiet darba vietā tīrību un kārtību un nodrošiniēt labu apgaismojumu.** Nekārtīgā darba vietā vai sliktā apgaismojumā var viegli notikt nelaimes gadījums.
- ▶ **Nestrādājiēt ar elektroiekārtu sprādzienbīstamā vidē, kur atrodas uzliesmojoši šķidrumi, gāzes vai putekļi.** Darbības laikā elektroiekārtas mēdz dzirksteļot, un tas var izraisīt viegli uzliesmojošu putekļu vai tvaiku aizdegšanos.
- ▶ **Lietojot elektroiekārtu, neļaijiēt nepiederošām personām un jo īpaši bērniem tuvoties darba vietai.** Citu personu klātbūtne var novērst uzmanību, un tā rezultātā jūs varat zaudēt kontroli pār iekārtu.

Elektrodrošība

- ▶ **Elektroiekārtas kontaktdakšai jāatbilst elektroītkla kontaktligzdai. Kontaktdakšas konstrukciju nedrīkst nekādā veidā mainīt. Kopā ar elektroiekārtām, kurām ir aizsargzemējums, nedrīkst lietot adapteru spraudņus.** Neizmainītas konstrukcijas kontaktdakša, kas atbilst kontaktligzdai, ļauj samazināt elektrošoka risku.
- ▶ **Darba laikā nepieskarieties sazemētiem priekšmetiem, piemēram, caurulēm, radiatoriem, plītnim vai ledusskapjiem.** Pieskaroties sazemētam virsmām, pieaug risks saņemt elektrisko triecienu.
- ▶ **Nelietojiet elektroiekārtu lietus laikā, neturiet to mitrumā.** Mitrumam iekļūstot elektroiekārtā, pieaug risks saņemt elektrisko triecienu.
- ▶ **Nenesiet un nepakariņiet elektroiekārtu aiz barošanas kabeļa un neraijiēt aiz kabeļa, ja vēlaties atvienot iekārtu no elektroītkla kontaktligzdas. Sargājiēt barošanas kabeli no karstuma, eļļas, asām šķautnēm vai kustīgām detaļām.** Bojāts vai sapīņķerējiēs barošanas kabelis var kļūt par cēloni elektrošokam.
- ▶ **Darbinot elektroiekārtu ārpus telpām, izmantojiēt tās pievienošanai vienīgi tādus pagarinātājkabeļus, kas ir paredzēti lietošanai brīvā dabā.** Lietojot elektrokabeļi, kas ir piemērots darbam ārpus telpām, samazinās elektrošoka risks.
- ▶ **Ja elektroiekārtas izmantošana slapjā vidē ir obligāti nepieciešama, lietojiēt bojājumstrāvas aizsargslēdzi.** Bojājumstrāvas aizsargslēdža lietošana samazina elektrošoka risku.

Personiskā drošība

- ▶ **Strādājiēt ar elektroiekārtu uzmanīgi, darba laikā saglabājiēt paškontroli un rīkojiēties saskaņā ar veselo saprātu. Ar elektroiekārtu nedrīkst strādāt personas, kas ir nogurušas vai atrodas narkotiku, alkohola vai medikamentu ietekmē.** Mirklis neuzmanības, strādājiēt ar elektroiekārtu, var novest pie nopietnām traumām.



- ▶ **Izmantojiet individuālos aizsardzības līdzekļus un darba laikā vienmēr valkājiet aizsargbrilles.** Individuālo aizsardzības līdzekļu (putekļu aizsargmaskas, neslidošu apavu un aizsargķiveres vai ausu aizsargu) lietošana atbilstoši elektroiekārtas tipam un veicamā darba raksturam ļauj izvairīties no savainojumiem.
- ▶ **Nepieļaujiet iekārtas nekontrolētas ieslēgšanās iespēju. Pirms pievienošanas elektrotīklam, akumulatora ievietošanas, elektroiekārtas satveršanas vai pārvietošanas pārliecinieties, ka tā ir izslēgta.** Ja iekārtas pārvietošanas laikā pirksts atrodas uz slēdža vai ja ieslēgta iekārta tiek pievienota elektrotīklam, var notikt nelaimes gadījums.
- ▶ **Pirms elektroiekārtas ieslēgšanas jānoņem visi regulēšanas piederumi un uzgriežņu atslēgas.** Regulēšanas piederumi vai uzgriežņu atslēga, kas iekārtas ieslēgšanas brīdī atrodas iekārtā, var radīt traumas.
- ▶ **Izvairieties no nedabiskām pozām. Darba laikā vienmēr saglabājiet līdzsvaru un nodrošinieties pret paslīdēšanu.** Tas atvieglos elektroiekārtas vadību neparedzētās situācijās.
- ▶ **Izvēlieties darbam piemērotu apģērbu. Darba laikā nenēsājiet brīvi plandošas drēbes un rotaslietas. Netuviniet matus, apģērbu un aizsargcimdus iekārtas kustīgajām daļām.** Vaļīgas drēbes, rotaslietas un gari mati var iekļerties iekārtas kustīgajās daļās.
- ▶ **Ja elektroiekārtas konstrukcija ļauj pievienot putekļu nosūksanas vai savākšanas ierīci, sekojiet, lai tā būtu pievienota un tiktu darbināta pareizi.** Putekļu nosūcēja lietošana samazina putekļu kaitīgo ietekmi.
- ▶ **Nezaudējiet modrību un neatkāpieties no elektroiekārtu lietošanas drošības noteikumu ievērošanas arī tad, ja lietojat attiecīgo elektroiekārtu bieži un kārtīgi to pārzināt.** Neuzmanība vienā sekundes daļā var novest pie smagām traumām.

Elektroiekārtas lietošana un apkope

- ▶ **Nepārslodojiet elektroiekārtu. Katram darbam izvēlieties piemērotu iekārtu.** Elektroiekārta darbosies labāk un drošāk pie nominālās slodzes.
- ▶ **Nelietojiet elektroiekārtu, ja ir bojāts tās slēdzis.** Elektroiekārta, ko nevar ieslēgt un izslēgt, ir bīstama un nekavējoties jānodod remontā.
- ▶ **Pirms iestatījumu veikšanas, aprikojuma daļu nomaiņas vai iekārtas novietošanas uzglabāšanā atvienojiet kontaktdakšu no elektrotīkla un/vai noņemiet noņemamo akumulatoru.** Šādi jūs novērsīsiet elektroiekārtas nejaušas ieslēgšanās risku.
- ▶ **Elektroiekārtu, kas netiek darbināta, uzglabājiet piemērotā vietā. Neļaujiet lietot iekārtu personām, kas nav iepazinušas ar tās funkcijām un izlasījušas šo lietošanas instrukciju.** Ja elektroiekārtu lieto nekompetentas personas, tas var apdraudēt cilvēku veselību.
- ▶ **Rūpīgi veiciet elektroiekārtu un to piederumu apkopi. Pārbaudiet, vai kustīgās daļas darbojas bez traucējumiem un neķeras un vai kāda no daļām nav saulzuta vai bojāta un tādējādi netraucē elektroiekārtas nevainojamu darbību. Raugieties, lai pirms iekārtas lietošanas tiktu nomainītas vai saremontētas bojātās daļas.** Daudzi nelaimes gadījumi notiek tāpēc, ka elektroiekārtām nav nodrošināta pareiza apkope.
- ▶ **Griezējinstrumentiem jābūt uzasinātiem un tīriem.** Rūpīgi kopti griezējinstrumenti ar asām šķautnēm retāk iestrēgst un ir vieglāk vadāmi.
- ▶ **Lietojiet elektroiekārtu, piederumus, maināmos instrumentus utt. saskaņā ar šiem norādījumiem. Jāņem vērā arī konkrētie darba apstākļi un veicamās operācijas īpatnības.** Elektroiekārtu lietošana citiem mērķiem, nekā to ir paredzējusi ražotājfirma, ir bīstama un var izraisīt neparedzamas sekas.
- ▶ **Raugieties, lai rokturu un satveršanas virsmas būtu sausas, tīras, nenotraipītas ar eļļu un smērvielām.** Ja rokturu vai satveršanas virsmas ir slidenas, nav iespējama droša elektroiekārtas vadība un kontrole neparedzamās situācijās.

Ar akumulatoru darbināmas iekārtas lietošana un apkope

- ▶ **Akumulatora uzlādei jālieto tikai ražotāja ieteiktie lādētāji.** Noteikta veida akumulatoriem paredzēts lādētājs kļūst ugunsbīstams, ja to izmanto ar cita veida akumulatoriem.
- ▶ **Izmantojiet elektroiekārtas barošanai tikai tai paredzētos akumulatorus.** Cita tipa akumulatoru lietošana var izraisīt iekārtas un/vai akumulatora aizdegšanos.
- ▶ **Laikā, kad akumulators ir atvienots no iekārtas, nepieļaujiet tā kontaktu saskaršanos ar saspaudzēm, monētām, atslēgām, naglām, skrūvēm vai citiem nelieliem metāla priekšmetiem, kas varētu izraisīt īssavienojumu.** Ja starp akumulatora kontaktiem rodas īssavienojums, tas var sadegt vai kļūt par ugunsgrēka cēloni.
- ▶ **Nepareizi lietojot akumulatoru, no tā var izplūst šķidrums. Nepieļaujiet tā nokļūšanu uz ādas.** Ja tas tomēr nejausi ir noticis, noskalojiet ar ūdeni. Ja šķidrums iekļūst acīs, izskalojiet acis un nekavējoties vērsieties pie ārsta. No akumulatora izplūdušais šķidrums var izraisīt ādas kairinājumu vai apdegumus.



- ▶ **Nelietojiet bojātus vai modificētus akumulatorus.** Bojāti vai modificēti akumulatori var radīt neparedzamas situācijas un izraisīt ugunsgrēku, eksploziju vai traumas.
- ▶ **Nepakļaujiet akumulatoru uguns vai augstas temperatūras iedarbībai.** Uguns vai temperatūra virs 130 °C (265 °F) var izraisīt eksploziju.
- ▶ **Ievērojiet norādījumus par akumulatora lādēšanu un nekad nelādējiet akumulatoru vai ar akumulatoru darbināmo iekārtu ārpus lietošanas instrukcijā norādītā temperatūras diapazona.** Nepareiza lādēšana vai pieļaujamā temperatūras diapazona pārsniegšana var sabojāt akumulatoru un palielināt aizdegšanās risku.

Serviss

- ▶ **Uzdodiet elektroiekārtas remontu veikt tikai kvalificētam personālam, kas izmanto vienīgi oriģinālās rezerves daļas.** Tikai tā ir iespējams saglabāt iekārtas funkcionālo drošību.
- ▶ **Nekādā gadījumā neveiciet bojātu akumulatoru apkopi.** Jebkādus akumulatoru apkopes darbus drīkst veikt tikai ražotājs vai atbilstīgi pilnvarots klientu apkalpošanas dienests.

2.2 Drošības noteikumi darbam ar perforatoriem

Drošības norādījumi visiem darbiem

- ▶ **Lietojiet dzirdes aizsargaprīkojumu.** Trokšņa iedarbība var izraisīt dzirdes zudumu.
- ▶ **Lietojiet kopā ar iekārtu piegādātos papildu rokturus.** Kontroles zudums var kļūt par cēloni traumām.
- ▶ **Ja darba laikā pastāv iespēja, ka instruments var nonākt saskarē ar aplēptiem elektriskajiem vadiem, vienmēr satveriet iekārtu aiz izolētajām rokturu virsmām.** Saskaroties ar spriegumam pieslēgtiem vadiem, spriegums tiek novadīts uz iekārtas metāla daļām, radot elektrošoka risku.

2.3 Papildnorādījumi par atskaldāmā āmura drošību

Personīgā drošība

- ▶ Lietojiet izstrādājumu un tā papildaprīkojumu tikai tad, ja tas ir nevainojamā stāvoklī.
- ▶ Nekādā gadījumā nemēģiniet ietekmēt izstrādājuma vai tā papildaprīkojuma funkcijas vai to pārveidot.
- ▶ Veicot kalšanu griestos, sienās un grīdās, ieņemiet drošu un stabilu pozu. Pēkšņa konstrukcijas caurkalšana var izraisīt līdzsvara zudumu!
- ▶ Pirms laušanas vai uršanas darbiem, kas šķērso celtnes daļas, atbilstoši jānodrošina attiecīgās celtnes daļas pretējā puse. Atlūzuši materiāla fragmenti var izkrist caur atveri un/vai nokrist un savainot cilvēkus.
- ▶ Iekārtas lietotājam un tuvumā esošajām personām iekārtas lietošanas laikā jāvalkā piemērotas aizsargbrilles, aizsargķivere, dzirdes aizsarglīdzekļi un viegls elpceļu aizsardzības aprīkojums.
- ▶ Instrumenta nomaigšanas laikā valkājiet aizsargcimdus. Saskaņā ar maināmo instrumentu var izraisīt grieztas traumas un apdegumus.
- ▶ Valkājiet aizsargbrilles vai masku. Materiāla šķembas var savainot ķermeni un acis.
- ▶ Putekļi, kas rodas slīpēšanas, griešanas un uršanas laikā, var saturēt bīstamas ķīmikālijas. Daži piemēri: svins vai krāsas uz svina bāzes; kļēģeļi, betons un citi mūra materiāli, dabīgais akmens un citi silīkāts saturoši produkti; noteiktu veidu koksne, piemēram, skābardis, ozols un ķīmiska apstrādāta koksne; azbests vai azbestu saturoši materiāli. Nosakiet ekspozīcijas līmeni, kam pakļauts iekārtas lietotājs un tuvumā esošās personas, vadoties pēc apstrādājamo materiālu bīstamības kategorijas. Veiciet nepieciešamos pasākumus, lai ekspozīcija nesasniegtu kaitīgu līmeni, piemēram, lietojiet putekļu nosūkšanas sistēmu vai piemērotus elpceļu aizsardzības līdzekļus. Vispārīgie ekspozīcijas ierobežošanas pasākumi ir šādi:
 - ▶ darbs labi vēdināmās vietās,
 - ▶ izvairīšanās no ilgstošas saskares ar putekļiem,
 - ▶ putekļu novirzīšana projām no sejas un ķermeņa,
 - ▶ aizsargapģērba valkāšana un savārtītā apģērba mazgāšana ar ūdeni un ziepēm.
- ▶ Biežāk pārtrauciet darbu un izpildiet pirkstu vingrinājumus, kas uzlabo asinsriti. Ilgstoša darba gadījumā spēcīga vibrācija var radīt traucējumus pirkstu, roku vai plaukstas locītavu asinsvadu un nervu sistēmas funkcijās.

Elektrodrošība

- ▶ Pirms darba sākšanas pārbaudiet, vai darba zonā neatrodas neseģti elektrības vadi, gāzes vai ūdensapgādes caurules. Iekārtas ārējās metāla daļas var izraisīt elektriskās strāvas triecienu vai izraisīt eksploziju, ja darba laikā tiek bojāti elektriskie vadi, gāzes vai ūdens caurules.

Rūpīga elektroiekārtu lietošana un apkope

- ▶ Pirms novietot izstrādājumu, nogaidiet, līdz pilnībā apstājas tā kustība.

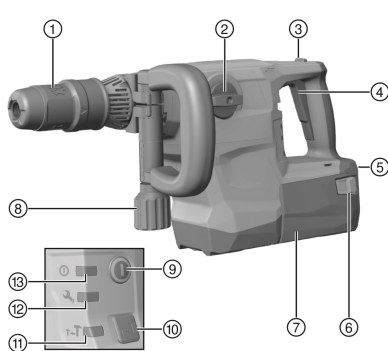


2.4 Akumulatoru pareiza lietošana un apkope

- ▶ Ievērojiet īpašos norādījumus par litija jonu akumulatoru transportēšanu, uzglabāšanu un ekspluatāciju.
- ▶ Sargājiet akumulatorus no augstas temperatūras, tiešiem saules stariem un uguns.
- ▶ Akumulatorus nedrīkst izjaukt, saspiest, sakarsēt virs 80 °C (176 °F) vai sadedzināt.
- ▶ Nemēģiniet izmantot vai uzlādēt akumulatorus, kas bijuši pakļauti triecienam, krituši no vairāk nekā viena metra augstuma vai ir citā veidā bojāti. Šādā gadījumā vienmēr vērsieties savā **Hilti servisā**.
- ▶ Ja akumulators kļūst pārāk karsts, iespējams, ka tas ir bojāts. Novietojiet akumulatoru labi pārredzamā, ugunsdrošā vietā, pietiekamā atstumā no degošiem materiāliem. Ļaujiet akumulatoram atdzist. Ja pēc stundas akumulators joprojām ir tik karsts, ka to ir grūti satvert, tas nozīmē, ka tas ir bojāts. Vērsieties **Hilti servisā**.

3 Apraksts

3.1 Izstrādājuma pārskats



- Instrumenta patrona
- Funkciju pārslēdzējs
- Fiksācijas poga nepārtrauktas darbības režīmam (tikai kalšanai)
- Vadības slēdzis
- Uzlādes līmeņa un traucējumu indikācija (litija jonu akumulatoram)
- Atbloķēšanas taustiņš ar papildu funkciju – uzlādes līmeņa indikācijas aktivēšanu
- Akumulators
- Sānu rokturis
- Ieslēgšanas / izslēgšanas slēdzis
- Nepilnas jaudas taustiņš
- Nepilnas jaudas indikācija
- Servisa indikācija
- Ieslēgšanas / izslēgšanas indikācija

3.2 Nosacījumiem atbilstīga lietošana

Aprakstītais izstrādājums ir atskaldāmais āmurs ar pneimatisku triecienmehānismu un akumulatora barošanu. Šis izstrādājums ir paredzēts viegļiem līdz vidēji smagiem kalšanas darbiem mūrī un betona virsmu apstrādei.

- ▶ Lietojiet šī izstrādājuma barošanai tikai sērijas B 36 **Hilti** litija jonu akumulatorus.
- ▶ Lietojiet šo akumulatoru uzlādēšanai tikai **Hilti** sērijas C4/36 lādētājus.

3.2.1 Varbūtēja nepareiza lietošana

- Šis izstrādājums nav paredzēts veselībai bīstamu materiālu apstrādāšanai.
- Šis izstrādājums nav paredzēts darbam slapjā vidē.

3.3 Active Vibration Reduction

Izstrādājums ir aprīkots ar sistēmu Active Vibration Reduction (AVR), kas ievērojami samazina vibrāciju.

3.4 Servisa indikācija

Izstrādājumam ir servisa indikācija ar gaismas signālu.

3.4.1 MMI

Stass	Nozīme
Servisa indikācija deg.	Pienācis laiks servisa darbiem.
Servisa indikācija mirgo.	Nododiet izstrādājumu Hilti servisā, lai veiktu remontu.
Ieslēgšanas / izslēgšanas indikācija deg.	Izstrādājums ir ieslēgts
Ieslēgšanas / izslēgšanas indikācija mirgo.	Izstrādājums ir izslēgts īslaicīgas kļūmes dēļ.



Stass	Nozīme
Ieslēgšanas / izslēgšanas indikācija nedeg.	Izstrādājums ir izslēgts.
Indikācija Nepilna jauda deg.	Izstrādājums darbojas ar nepilnu jaudu.
Indikācija Nepilna jauda nedeg.	Izstrādājums darbojas ar pilnu jaudu.

3.4.2 Litija jonu akumulatora indikācija

Par litija jonu akumulatora uzlādes līmeni un iekārtas darbības traucējumiem informē litija jonu akumulatora indikācija. Litija jonu akumulatora uzlādes līmeni iespējams apskatīties, īsi nospiežot vienu no akumulatora atbloķēšanas taustiņiem.

Stass	Nozīme
Deg 4 LED.	Uzlādes līmenis: no 75 % līdz 100 %
Deg 3 LED.	Uzlādes līmenis: no 50 % līdz 75 %
Deg 2 LED.	Uzlādes līmenis: no 25 % līdz 50 %
1 LED deg.	Uzlādes līmenis: no 10 % līdz 25 %
1 LED mirgo.	Uzlādes līmenis: < 10 %
1 LED mirgo, izstrādājums nav gatavs darbam.	Akumulators ir pārkarsis vai pilnībā izlādējies.
4 LED mirgo, izstrādājums nav gatavs darbam.	Iekārta ir pārslodota vai pārkarsusi.

Ja ir nospiežs vadības slēdzis, kā arī 5 sekunžu laikā pēc vadības slēdža atlaišanas nolasīs uzlādes līmeņa indikāciju nav iespējams.

Ja mirgo akumulatora indikācijas LED, lūdzu, sekojiet nodaļas "Traucējumu diagnostika" norādījumiem.

3.5 Piegādes komplektācija

Atskaldāmais āmurs, sānu rokturis, lietošanas instrukcija.

Citus šim izstrādājumam izmantojamus sistēmas produktus meklējiet **Hilti Store** vai tīmekļvietnē: www.hilti.group

4 Tehniskie parametri

	TE 500-A36
Nominālais spriegums	36 V
Svars saskaņā ar EPTA procedūru 01	7,9 kg
Atsevišķa trieciena enerģija atbilstīgi EPTA procedūrai 05	7,8 J
Instrumenta patrona	TE-Y
Uzglabāšanas temperatūra	-20 °C ... 70 °C
Apkārtējā temperatūra darbības laikā	-17 °C ... 60 °C

4.1 Informācija par troksni un vibrāciju saskaņā ar EN 62841

Šajās instrukcijās norādītie lielumi, kas raksturo skaņas spiedienu un vibrāciju, ir noteikti ar standartizētas mērījumu metodes palīdzību, un tos var izmantot elektroiekārtu savstarpējai salīdzināšanai. Tos var izmantot arī trokšņa un vibrācijas iedarbības pagaidu novērtējumam.

Norādītie parametri attiecas uz elektroiekārtas galvenajiem lietošanas veidiem. Taču, ja elektroiekārta tiek izmantota citos nolūkos, ar citiem maināmajiem instrumentiem vai netiek nodrošināta pietiekama tās apkope, parametri var atšķirties no norādītajiem. Tas var ievērojami palielināt trokšņa un vibrācijas iedarbību visā darba laikā.

Lai precīzi novērtētu iedarbību, jāņem vērā arī laiks, cik ilgi elektroiekārta ir izslēgta vai ir ieslēgta, taču faktiski netiek darbināta. Tas var būtiski samazināt iedarbību kopējā darba laikā.

Jāparedz papildu drošības pasākumi, lai aizsargātu iekārtas lietotāju pret trokšņa un/vai vibrācijas iedarbību, piemēram, elektroiekārtas un apkope, roku turēšana siltumā, darba procesu organizācija.



Skaņas emisijas rādītāji saskaņā ar EN 62841

	TE 500-A36
Skaņas spiediena līmenis (LpA)	91 dB
Skaņas spiediena līmeņa pielāide (KpA)	3 dB
Skaņas jaudas līmenis (LWA)	102 dB
Skaņas jaudas līmeņa pielāide (KWA)	3 dB

Kopējie svārstību rādītāji saskaņā ar EN 62841

		TE 500-A36
Kalšana betonā ($a_{h, CHed}$)	B 36/5.2	7,9 m/s ²
	B 36/9.0	7,4 m/s ²
Iespējamā kļūda (K)		1,5 m/s ²

5 Akumulators

Akumulatora darba spriegums	36 V
Apkārtējā temperatūra darbības laikā	-17 °C ... 60 °C
Uzglabāšanas temperatūra	-20 °C ... 40 °C
Akumulatora temperatūra uzlādes sākumā	-10 °C ... 45 °C

6 Lietošana

6.1 Sagatavošanās darbam



Pirms iestatījumu veikšanas vai aprīkojuma daļu nomaiņas izslēdziet izstrādājumu vai izņemiet no tā akumulatoru.

Ievērojiet drošības norādījumus un brīdinājumus, kas atrodami šajā dokumentācijā un uz izstrādājuma.

6.1.1 Akumulatora ievietošana



BRĪDINĀJUMS!

Traumu risks īssavienojuma vai akumulatora nokrišanas gadījumā!

- ▶ Pirms akumulatora ievietošanas pārliecinieties, ka uz akumulatora un izstrādājuma kontaktiem neatrodas nekādi svešķermeņi.
- ▶ Pārbaudiet, vai akumulators ir droši nofiksēts.

1. Pirms pirmās lietošanas pilnībā uzlādējiet akumulatoru.
2. Iebīdiet akumulatoru izstrādājumā, līdz tas dzirdami nofiksējas.
3. Pārbaudiet, vai akumulators ir droši nofiksēts.

6.1.2 Akumulatora izņemšana

1. Nospiediet akumulatora atbloķēšanas taustiņus.
2. Izvelciet akumulatoru no iekārtas.

6.1.3 Akumulatora uzlādēšana

1. Pirms uzlādes sākšanas izlasiet lādētāja lietošanas instrukciju.
2. Raugieties, lai akumulatora un lādētāja kontaktu virsmas ir tīras un sausas.
3. Veiciet akumulatora uzlādi atbilstīgā lādētājā. → Lappuse 75

6.1.4 Sānu roktura montāža



IEVĒROT PIESARDZĪBU!

Traumu risks! Risks zaudēt kontroli pār atskaldāmo āmuru.

- ▶ Pārliecinieties, vai sānu rokturis ir piemontēts pareizi un kārtīgi nostiprināts.

1. Izslēdziet iekārtu.



2. Pagrieziet rokturi, lai atbrīvotu sānu roktura turētāju (fiksācijas lenti).
3. No priekšpuses uzbīdīet turētāju (fiksācijas lenti) pāri instrumenta patronai līdz tam paredzētajai rievai.
4. Novietojiet sānu rokturi nepieciešamajā pozīcijā.
5. Pagrieziet rokturi, lai nospiestu sānu roktura turētāju (fiksācijas lenti).

6.1.5 Jaudas iestatīšana



Pēc akumulatora ievietošanas izstrādājums vienmēr ir iestatīts uz pilnu jaudu.

1. Nospiediet taustiņu "Nepilna jauda". Iekārta tiek pārslēgta uz nepilnu jaudu.
 - ▶ Deg indikācija "Nepilna jauda".
2. Vēlreiz nospiediet taustiņu "Nepilna jauda". Iekārta tiek pārslēgta uz pilnu jaudu.
 - ▶ Indikācija "Nepilna jauda" nodziest.

6.1.6 Instrumenta ievietošana / izņemšana



BĪSTAMI!

Aizdegšanās risks! Bīstamība, ko rada karsta instrumenta saskaršanās ar viegli uzliesmojošiem materiāliem

- ▶ Nenovietojiet karstus instrumentus uz viegli uzliesmojošiem materiāliem.



BRĪDINĀJUMS!

Traumu risks! Lietošanas laikā instruments sakarst.

- ▶ Instrumenta nomaiņas laikā valkājiet aizsargcimdus.



Nepiemērotas smērvielas lietošana var izraisīt izstrādājuma bojājumus. **Lietojiet tikai oriģinālās Hilti smērvielas.**

1. Viegli ieziēdīet maināma instrumenta galu ar smērvielu.
 - ▶ Lietojiet tikai oriģinālās **Hilti** smērvielas. Neatbilstīgas smērvielas var izraisīt izstrādājuma bojājumus.
2. Iestatiet funkciju pārslēdzēju pozīcijā "Kalšana" **T**.
3. Līdz galam ievietojiet maināmo instrumentu patronā un ļaujiet tam nofiksēties.
4. Pēc instrumenta ievietošanas pavelciet to, lai pārbaudītu, vai tas ir droši nofiksēts.
 - ▶ Izstrādājums ir gatavs lietošanai.
5. Līdz galam atvelciet maināmā darba instrumenta fiksācijas patronu un izņemiet instrumentu.

6.2 Darbs



IEVĒROT PIESARDZĪBU!

Traumu risks! Risks zaudēt kontroli pār atskaldāmo āmuru.

- ▶ Pārliedzinieties, vai sānu rokturis ir piemontēts pareizi un kārtīgi nostiprināts.

Ievērojiet drošības norādījumus un brīdinājumus, kas atrodami šajā dokumentācijā un uz izstrādājuma.

6.3 Kalta pozicionēšana



IEVĒROT PIESARDZĪBU!

Traumu risks! Risks zaudēt kontroli pār kalšanas virzienu.

- ▶ Nestrādājiet režīmā "Kalta pozicionēšana". Iestatiet funkciju pārslēdzēju pozīcijā "Kalšana" tā, lai tas nofiksējas.



Kaltu iespējams novietot 24 dažādās pozīcijās (ar 15° soli). Pateicoties tam, ar plakano kaltu un profila kaltu vienmēr var strādāt optimālā darba pozīcijā.

1. Izslēdziet iekārtu.
2. Iestatiet funkciju pārslēdzēju pozīcijā "Kalta pozicionēšana" →.



3. Pagrieziet kaltu vajadzīgajā pozīcijā.
4. Iestatiet funkciju pārslēdzēju uz šādu simbolu: **T**, līdz tas nofiksējas.
 - ▶ Izstrādājums ir gatavs lietošanai.

6.3.1 Kalšana

- ▶ Iestatiet funkciju pārslēdzēju pozīcijā "Kalšana" **T**.



Vienmēr stingri turiet izstrādājumu ar abām rokām. Raugieties, lai izstrādājums ir tīrs, un nepieļaujiet tā notraipīšanu ar eļļu un smērvielām.



Pēc darba ar izstrādājumu novietojiet to uz uzliesmojošiem materiāliem, jo tas ir karsts. Tas var izraisīt aizdegšanos.

6.3.2 Nepārtrauktas darbības režīma ieslēgšana / izslēgšana



Kalšanas režīmā vadības slēdzi ir iespējams nofiksēt ieslēgtā stāvoklī.

1. Pabīdīet nepārtraukta darbības režīma taustiņu uz priekšu.
2. Līdz galam nospiediet vadības slēdzi.
 - ▶ Pēc tam izstrādājums darbosies nepārtrauktas darbības režīmā.
3. Pabīdīet nepārtraukta darbības režīma taustiņu atpakaļ.
 - ▶ Izstrādājums izslēdzas.

7 Apkope un uzturēšana



BRĪDINĀJUMS!

Traumu risks ievietota akumulatora gadījumā !

- ▶ Pirms jebkādiem apkopes un tehniskā stāvokļa uzturēšanas darbiem vienmēr izņemiet akumulatoru!

Izstrādājuma kopšana

- Uzmanīgi notīriet pielipušos netīrumus.
- Ja izstrādājumam ir ventilācijas atveres, uzmanīgi iztīriet tās ar sausu, mīkstu birstīti.
- Notīriet korpusa virsmas tikai ar nedaudz samitrinātu drāniņu. Nelietojiet silikonu saturošus kopšanas līdzekļus, jo tie var sabojāt plastmasas daļas.
- Izstrādājuma kontaktu tīrīšanai lietojiet tīru un sausu drāniņu.

Litija jonu akumulatoru apkope

- Nekādā gadījumā nelietojiet akumulatoru ar nosprostotām ventilācijas atverēm. Uzmanīgi iztīriet ventilācijas atveres ar sausu, mīkstu birstīti.
- Nepakļaujiet akumulatoru nevajadzīgi putekļu vai netīrumu ietekmei. Nekādā gadījumā nepakļaujiet akumulatoru spēcīgam mitrumam (piemēram, nemērciet to ūdenī un neatstājiet lietū).
Ja akumulators ir samircis, rīkojieties ar to tāpat, kā jūs rīkotos ar bojātu akumulatoru. Ievietojiet to izolētā nedegoša materiāla tvertnē un vērsieties **Hilti** servisā.
- Raugieties, lai akumulators nebūtu savārtīts ar nepiederīgu eļļu un smērvielām. Raugieties, lai uz akumulatora nevajadzīgi neuzkrātos putekļi un netīrumi. Notīriet akumulatoru ar sausu, mīkstu birstīti vai tīru un sausu drāniņu. Nelietojiet silikonu saturošus kopšanas līdzekļus, jo tie var sabojāt plastmasas daļas.
Nepieskarieties akumulatora kontaktiem un neattīriet kontaktus no rūpnīcā uzklātās smērvielas.
- Notīriet korpusa virsmas tikai ar nedaudz samitrinātu drāniņu. Nelietojiet silikonu saturošus kopšanas līdzekļus, jo tie var sabojāt plastmasas daļas.

Uzturēšana

- Regulāri pārbaudiet visas redzamās daļas, lai pārliecinātos, ka tās nav bojātas un funkcionē nevainojami.
- Nelietojiet izstrādājumu, ja tam ir radušies bojājumi un/vai funkciju traucējumi. Nekavējoties nododiet izstrādājumu **Hilti** servisā remonta veikšanai.
- Pēc apkopes un remonta darbiem piemontējiet vietā visas aizsargierīces un pārbaudiet, vai tās darbojas nevainojami.





Lai izstrādājuma lietošana būtu droša, izmantojiet tikai oriģinālās rezerves daļas un patēriņa materiālus. Rezerves daļas, patēriņa materiālus un piederumus, kuru lietošanu kopā ar šo izstrādājumu akceptē Hilti, var atrast Hilti Store vai tīmekļvietnē: www.hilti.group

8 Iekārtu un akumulatoru transportēšana un uzglabāšana

Transportēšana

IEVĒROT PIESARDZĪBU!

Nekontrolēta iedarbošanās transportēšanas laikā !

- ▶ Pirms iekārtu transportēšanas vienmēr izņemiet no tām akumulatorus!
- ▶ Izņemiet akumulatoru / akumulatorus.
- ▶ Nekādā gadījumā netransportējiet akumulatorus nenostiprinātā veidā, sabērtus kaudzē. Transportēšanas laikā akumulatori jāsaugā no triecieniem un vibrācijas, kā arī jāizolē no jebkādiem materiāliem, kam piemīt elektriskā vadītspēja, un citiem akumulatoriem, lai nepieļautu to nonākšanu saskarē ar citu bateriju kontaktiem un īssavienojuma rašanos. **Ievērojiet vietējos noteikumus par akumulatoru transportēšanu.**
- ▶ Akumulatorus nedrīkst sūtīt pa pastu. Ja vēlaties nosūtīt nebojātus akumulatorus, vērsieties sūtījumu piegādes uzņēmumā.
- ▶ Pirms katras lietošanas, kā arī pēc ilgākas transportēšanas pārbaudiet, vai izstrādājums un akumulatori nav bojāti.

Uzglabāšana

BRĪDINĀJUMS!

Neparedzami bojājumi bojātu vai izplūdušu akumulatoru dēļ !

- ▶ Pirms iekārtu novietošanas glabāšanā vienmēr izņemiet no tām akumulatorus!
- ▶ Glabājiet izstrādājumu un akumulatorus vēsā un sausā vietā. Ievērojiet temperatūras robežvērtības, kas norādītas tehnisko parametru sadaļā.
- ▶ Neglabājiet akumulatorus uz lādētāja. Pēc uzlādes procesa vienmēr noņemiet akumulatoru no lādētāja.
- ▶ Nekad neglabājiet akumulatorus saulē, uz siltuma avotiem vai aiz stikla.
- ▶ Glabājiet izstrādājumu un akumulatorus tā, lai tiem nevarētu piekļūt bērni un nepiederošas personas.
- ▶ Pirms katras lietošanas, kā arī pēc ilgākas uzglabāšanas pārbaudiet, vai izstrādājums un akumulatori nav bojāti.

9 Traucējumu novēršana

Ja iekārtas darbībā ir radušies traucējumi, kas nav uzskaitīti šajā tabulā vai ko jums neizdodas novērst saviem spēkiem, lūdzu, meklējiet palīdzību mūsu **Hilti** servisā.

9.1 Traucējumu diagnostika

Traucējums	Iespējamais iemesls	Risinājums
Nav triecienu funkcijas.	Izstrādājums ir pārāk auksts.	<ul style="list-style-type: none"> ▶ Novietojiet izstrādājumu uz virsmas un padarbiniet to tukšgaitā. Ja nepieciešams atkārtojiet šo procesu, līdz triecienmehānisms iedarbojas.
Akumulators izlādējas ātrāk nekā parasti.	Akumulatora stāvoklis nav optimāls.	<ul style="list-style-type: none"> ▶ Nomainiet akumulatoru.
Akumulators nenofiksējas ar sadzirdamu, divkāršu klikšķi.	Netīri akumulatora fiksācijas izciļņi.	<ul style="list-style-type: none"> ▶ Notīriet fiksācijas izciļņus un nofiksējiet akumulatoru no jauna.
Izstrādājums automātiski izslēdzas.	Iedarbojusies aizsardzība pret pārslodzi.	<p>Izslēgšanas / izslēgšanas indikācija mirgo.</p> <ul style="list-style-type: none"> ▶ Atlaidiet vadības slēdzi. Ļaujiet izstrādājumam atdzist. Vēlreiz nospiediet vadības slēdzi. Samaziniet iekārtas slodzi.



Traucējums	Iespējamais iemesls	Risinājums
Iekārta vai akumulators spēcīgi sakarst.	Elektriskas problēmas.	► Ieslēdziet izstrādājumu. Izņemiet akumulatoru un vērojiet to. Ļaujiet tam atdzist. Vērsieties Hilti servisā.
	Izstrādājums ir pārslogots (pārsniegtas ekspluatācijas robežas).	► Izvēlieties veicamajam darbam atbilstīgu izstrādājumu.
Akumulatora LED nedeg.	Akumulators nav pilnībā iebīdīts.	► Nofiksējiet akumulatoru ar sadzirdamu, divkāršu klikšķi.
	Akumulators ir izlādējies.	► Nomainiet akumulatoru un uzlādējiet tukšo akumulatoru.
	Akumulators ir pārāk auksts vai pārāk karsts.	► Nodrošiniet ieteicamo akumulatora darba temperatūru.
1 akumulatora LED mirgo.	Akumulators ir izlādējies.	► Nomainiet akumulatoru un uzlādējiet tukšo akumulatoru.
	Akumulators ir pārāk auksts vai pārāk karsts.	► Nodrošiniet ieteicamo akumulatora darba temperatūru.
4 akumulatora LED mirgo.	Izstrādājums ir īslaicīgi pārslogots.	► Atlaidiet vadības slēdzi un pēc tam nospiediet to vēlreiz.
	Termiskā aizsardzība.	► Ļaujiet izstrādājumam atdzist un iztīriet ventilācijas atveres.
Iekārta nedarbojas ar pilnu jaudu.	Kontroles slēdzis nav nospiests līdz galam.	► Līdz galam nospiediet vadības slēdzi.
	Nospiests taustiņš "Nepilna jauda".	► Jānospiež taustiņš "Nepilna jauda".
Instrumentu nevar atbrīvot no fiksācijas.	Patronas fiksācija nav pilnībā atvilkta atpakaļ.	► Līdz galam atvelciet instrumenta fiksācijas patronu un izņemiet instrumentu.
	Nav pareizi piemontēts sānu rokturis.	► Atbrīvojiet sānu rokturi un piemontējiet to pareizi – tā, lai fiksācijas lente un sānu rokturis būtu nofiksēti padziļinājumā.
Iekārtu nevar iedarbināt.	Pēc sprieguma padeves pārtraukuma ir aktivēta elektroniskā ieslēgšanās bloķēšana.	► Izslēdziet un vēlreiz ieslēdziet iekārtu.
Servisa indikācija deg.	Pārsniegts apkopes intervāls.	► Nododiet izstrādājumu Hilti servisā, lai veiktu remontu.
Servisa indikācija mirgo.	Izstrādājums ir bojāts.	► Nododiet izstrādājumu Hilti servisā, lai veiktu remontu.
Ieslēgšanas / izslēgšanas indikācija mirgo.	Izstrādājums ir īslaicīgi pārslogots.	► Atlaidiet vadības slēdzi un pēc tam nospiediet to vēlreiz.
	Termiskā aizsardzība.	► Ļaujiet izstrādājumam atdzist un iztīriet ventilācijas atveres.

10 Nokalpojušo iekārtu utilizācija

Hilti iekārtu izgatavošanā tiek izmantoti galvenokārt otrreiz pārstrādājami materiāli. Priekšnosacījums otrreizējai pārstrādei ir atbilstoša materiālu šķirošana. Daudzās valstīs **Hilti** pieņem nolietotās iekārtas otrreizējai pārstrādei. Lai saņemtu vairāk informācijas, vērsieties **Hilti** servisā vai pie sava pārdošanas konsultanta.



- Neizmetiet elektroiekārtas, elektroniskas ierīces un akumulatorus sadzīves atkritumos!



11 RoHS (direktiva par bīstamo vielu izmantošanas ierobežošanu)

Lai apskatītu bīstamo vielu tabulu, izmantojiet šādu saiti: qr.hilti.com/r10130182.

Saiti uz RoHS tabulu jūs QR koda veidā atradīsiet šīs dokumentācijas beigās.

12 Ražotāja garantija

- ▶ Ar jautājumiem par garantijas nosacījumiem, lūdzu, vērsieties pie vietējā **Hilti** partnera.

Originali naudojimo instrukcija**1 Informacija apie naudojimo instrukciją****1.1 Apie šią naudojimo instrukciją**

- Prieš pradėdami eksploatuoti, perskaitykite šią naudojimo instrukciją. Tai yra saugaus darbo ir patikimo naudojimo sąlyga.
- Laikykitės saugos ir įspėjamųjų nurodymų, pateiktų šioje naudojimo instrukcijoje ir ant prietaiso.
- Šią naudojimo instrukciją visada laikykite kartu su prietaisu ir prietaisą kitiems asmenims perduokite tik kartu su šia naudojimo instrukcija.

1.2 Ženklių paaiškinimas**1.2.1 Įspėjantieji nurodymai**

Įspėjantieji nurodymai įspėja apie pavojus, gresiančius eksploatuojant prietaisą. Naudojami šie signaliniai žodžiai:

⚠ PAVOJUS**PAVOJUS !**

- ▶ Šis žodis vartojamas norint įspėti apie tiesiogiai gresiantį pavojų, kurio pasekmės yra sunkūs kūno sužalojimai arba žūtis.

⚠ ĮSPĖJIMAS**ĮSPĖJIMAS !**







- ▶ Šis žodis vartojamas norint įspėti apie galimai gresiantį pavojų, kurio pasekmės gali būti sunkūs kūno sužalojimai arba žūtis.

⚠ ATSARGIAI**ATSARGIAI !**

- ▶ Šis žodis vartojamas potencialiai pavojingai situacijai žymėti, kai yra kūno sužalojimo arba materialinių nuostolių grėsmė.

1.2.2 Naudojimo instrukcijoje naudojami simboliai

Šioje naudojimo instrukcijoje naudojami tokie simboliai:

	Laikykitės naudojimo instrukcijos
	Naudojimo nurodymai ir kita naudinga informacija
	Rodo, kad juo paženklintą medžiagą galima perdirbti
	Elektrinių prietaisų ir akumuliatorių nemesti į buitines atliekas
	Hilti ličio jonų akumulatorius
	Hilti Kroviklis



1.2.3 Simboliai iliustracijose

Iliustracijose naudojami šie simboliai:

	Šie skaitmenys nurodo atitinkamą paveikslėlį šios naudojimo instrukcijos pradžioje.
3	Numeracija paveikslėliuose nurodo svarbius darbinius veiksmus arba darbiniam veiksmams svarbias konstrukcines dalis. Tekste šie darbiniai veiksmai arba konstrukcinės dalys išskirtos atitinkamais numeriais, pvz., (3).
	Pozicijų numeriai naudojami paveikslėlyje Apžvalga – jie nurodo skyrelyje Prietaiso vaizdas esančių paaiškinimų numerius.
	Šiuo ženklu siekiama atkreipti ypatingą dėmesį į naudojimąsi šiuo prietaisu.

1.3 Specifiniai prietaiso simboliai

1.3.1 Simboliai ant prietaiso

Ant prietaiso gali būti naudojami šie simboliai:

	Kirtimas kalnu
	Kalno padėties nustatymas
	Techninės priežiūros rodmuo
	Skersmuo
n_0	Nominalusis tuščiosios eigos sukimosi greitis
/min	Apsisukimai per minutę
	Nuolatinė srovė
	Prietaisas palaiko belaidį duomenų perdavimą, suderinamą su „iOS“ ir „Android“ platformomis.
Li-Ion	Ličio jonų akumuliatorius
	Naudotas Hilti serijos ličio jonų akumuliatorius. Atkreipkite dėmesį į duomenis skyriuje Naudojimas pagal paskirtį .
	Niekada nenaudokite akumuliatoriaus kaip smūginio įrankio.
	Saugokite, kad akumuliatorius nenukristų. Nenaudokite akumuliatoriaus, kuris buvo sutrenktas arba kaip nors kitaip pažeistas.

1.4 Įjungimas ir išjungimas

Simboliai

	Prietaisas yra įjungtas
	Prietaisas yra išjungtas

1.5 Informacija apie prietaisą

gaminiai yra skirti profesionalams, todėl juos naudoti, techniškai prižiūrėti ir remontuoti leidžiama tik įgaliotam instruktuotam personalui. Šis personalas turi būti supažindintas su visais galimais pavojais. Neapmokyto personalo, netinkamai arba ne pagal paskirtį naudojamas prietaisas ir jo reikmenys gali kelti pavojų.

Tipas ir serijos numeris yra nurodyti firminėje duomenų lentelėje.



- ▶ Serijos numerį perkelkite į toliau nurodytą lentelę. Kreipdamiesi su prietaisu susijusiais klausimais į mūsų atstovybę ar techninės priežiūros centrą, visada nurodykite šiuos prietaiso duomenis.

Prietaiso duomenys

Kirstuvas	TE 500-A36
Karta	04
Serijos Nr.	

1.6 Atitikties deklaracija

Prisiimdami visą atsakomybę pareiškiame, kad čia yra aprašytas gaminyje atitinka galiojančias direktyvas ir normas. Atitikties deklaracijos kopiją rasite šios instrukcijos gale.

Techninė dokumentacija saugoma čia:

Hilti Entwicklungsgesellschaft mbH | Zulassung Geräte | Hiltistraße 6 | 86916 Kaufering, DE

2 Sauga**2.1 Bendrieji saugos nurodymai dirbantiems su elektriniais įrankiais**

⚠ ĮSPĖJIMAS Perskaitykite visus ant šio elektrinio įrankio esančius saugos nurodymus, instrukcijas, paveikslėlius ir techninius duomenis. Šių nurodymų nesilaikymas gali tapti elektros smūgio, gaisro ir / arba sunkių sužalojimų priežastimi.

Išsaugokite visus saugos nurodymus ir instrukcijas, kad galėtumėte į juos pažvelgti ateityje.

Saugos nurodymuose vartojama sąvoka „elektrinis įrankis“ apibrėžiami iš elektros tinklo maitinami elektriniai įrankiai (turintys maitinimo kabelį) ir iš akumuliatoriaus maitinami elektriniai įrankiai (be maitinimo kabelio).

Sauga darbo vietoje

- ▶ **Pasirūpinkite, kad darbo vieta visada būtų švari ir gerai apšviesta.** Netvarkinga ar blogai apšviesta darbo vieta gali tapti nelaimingų atsitikimų priežastimi.
- ▶ **Nenaudokite elektrinio įrankio sprogoje aplinkoje, kurioje yra degių skysčių, dujų arba dulkių.** Veikiantys elektriniai įrankiai kibirkščiuoja, ir kibirkštys gali uždegti dulkes arba susikaupusius garus.
- ▶ **Dirbdami su elektriniu įrankiu, neleiskite darbo zonoje būti vaikams ir pašaliniais asmenims.** Atitraukę dėmesį nuo darbo, galite nebesuvaldyti prietaiso.

Apsauga nuo elektros

- ▶ **Prietaiso maitinimo kabelio kištukas turi atitikti elektros lizdo tipą.** Kištuko jokia būdu negalima keisti. Nenaudokite tarpinių kištukų kartu su elektriniais įrankiais, turinčiais apsauginį įžeminimą. Nepakeisti kištukai ir tinkami elektros lizdai mažina elektros smūgio riziką.
- ▶ **Venkite kūno kontakto su įžemintais paviršiais, pvz., vamzdžiais, šildytuvais, viryklėmis ir šaldytuvais.** Kai žmogaus kūnas yra įžemintas, padidėja elektros smūgio tikimybė.
- ▶ **Elektrinius įrankius saugokite nuo lietaus ir drėgmės.** Į elektrinį įrankį patekus vandens, padidėja elektros smūgio rizika.
- ▶ **Nenaudokite elektros maitinimo kabelio ne pagal paskirtį, t. y. neneškite elektrinio įrankio paėmę už kabelio, nekabinkite jo ant kabelio, netraukite už kabelio, norėdami ištraukti kištuką iš elektros lizdo.** Elektros maitinimo kabelį saugokite nuo karščio, alyvos, aštrių briaunų ar judančių dalių. Pažeisti arba susipynę elektros maitinimo kabeliai didina elektros smūgio riziką.
- ▶ **Jei su elektriniu įrankiu dirbate lauke, naudokite tik tokius ilginimo kabelius, kurie tinka ir lauko darbams.** Naudojant lauko darbams tinkančius ilginimo kabelius, mažėja elektros smūgio rizika.
- ▶ **Jeigu elektrinio įrankio naudojimo drėgnoje aplinkoje negalima išvengti, į elektros tinklą jįjunkite per apsauginę nuotėkio relę.** Apsauginė nuotėkio relė mažina elektros smūgio riziką.

Žmonių sauga

- ▶ **Dirbdami su elektriniu įrankiu, būkite atidūs, sutelkite dėmesį į darbą ir vadovaukitės sveika nuovoka.** Elektrinio įrankio nenaudokite, jeigu esate pavargę arba apsvaigę nuo narkotinių medžiagų, alkoholio ar vaistų. Neatidumo akimirka dirbant su elektriniu įrankiu gali tapti rimtų sužalojimų priežastimi.
- ▶ **Naudokite asmenines apsaugos priemones ir visuomet užsidėkite apsauginius akinius.** Naudojant asmenines apsaugos priemones, pvz., respiratorių, neslystančius apsauginius batus, apsauginį šalną, ausines ir kt., priklausomai nuo elektrinio įrankio tipo ir naudojimo, mažėja rizika susižaloti.
- ▶ **Saugokitės, kad neįjungtumėte prietaiso atsitiktinai. Prieš prijungdami prie elektros maitinimo tinklo, įdėdami akumuliatorių, imdami į rankas ar nešdami, įsitikinkite, kad elektrinis įrankis yra išjungtas.** Jeigu nešdami elektrinį įrankį pirštą laikysite ant jungiklio arba įrankį įjungsitė į elektros tinklą tuomet, kai jungiklis nėra išjungtas, gali įvykti nelaimingas atsitikimas.



- ▶ **Prieš įjungdami elektrinį įrankį, pašalinkite iš jo reguliavimo įrankius ar veržlinius raktus.** Besisukančioje prietaiso dalyje esantis įrankis ar paliktas raktas gali tapti sužalojimų priežastimi.
- ▶ **Venkite nepatogų kūno padėčių. Dirbdami stovėkite tvirtai ir visada išlaikykite kūno pusiausvyrą.** Taip galėsite geriau kontroliuoti elektrinį įrankį netikėtose situacijose.
- ▶ **Vilkėkite tinkamą aprangą. Nevilkėkite plačių drabužių, nesidėkite papuošalų. Saugokite plaukus, drabužius ir pirštines nuo besisukančių prietaiso dalių.** Laisvus drabužius, papuošalus ir ilgus plaukus gali įtraukti besisukančios prietaiso dalys.
- ▶ **Jeį yra numatyta galimybė prijungti dulkių nusiurbimo ar surinkimo įrenginius, visada įsitinkinkite, kad jie yra prijungti ir tinkamai naudojami.** Naudojant dulkių nusiurbimo įrenginį, gali sumažėti dulkių keliama grėsmė.
- ▶ **Neturėkite iliuzijų, kad visada esate saugūs, ir, skaitydami naudojimo instrukcijas, nepraleiskite skyrelių apie saugų darbą su elektriniais įrankiais, net jeigu per ilgus naudojimo metus esate su savo elektriniu įrankiu susipažinę.** Neatsargus veiksmas per sekundės dalį gali tapti sunkių sužalojimų priežastimi.

Elektrinio įrankio naudojimas ir elgesys su juo

- ▶ **Prietaiso neperkraukite. Naudokite Jūsų darbui tinkamą elektrinį įrankį.** Su tinkamu elektriniu įrankiu dirbsite geriau ir saugiau, jei neviršysite nurodytos galios.
- ▶ **Nenaudokite elektrinio įrankio su sugedusiu jungikliu.** Elektrinis įrankis, kurio nebegalima įjungti ar išjungti, yra pavojingas ir jį reikia remontuoti.
- ▶ **Prieš prietaisą nustatydami, keisdami reikmenis ar tiesiog padėdami į šalį, visuomet ištraukite maitinimo kabelio kištuką iš elektros lizdo ir / arba iš prietaiso išimkite akumuliatorių.** Ši atsargumo priemonė leis išvengti netikėto elektrinio įrankio įsijungimo.
- ▶ **Nenaudojamus elektrinius įrankius saugokite vaikams nepasiekiamoje vietoje. Neleiskite prietaisu naudotis asmenims, kurie nėra su juo susipažinę arba nėra perskaitę šios instrukcijos.** Elektriniai įrankiai yra pavojingi, kai juos naudoja patirties neturintys asmenys.
- ▶ **Elektrinius įrankius ir reikmenis rūpestingai prižiūrėkite. Tikrinkite, ar judančios elektrinio įrankio dalys tinkamai funkcionuoja ir pakeuz neklūva, ar nėra sulūžusių ir pažeistų dalių, kurios blogintų įrankio veikimą. Prieš naudojimą pažeistos prietaiso dalys turi būti suremontuotos.** Blogai prižiūrimi elektriniai įrankiai yra daugelio nelaimingų atsitikimų priežastis.
- ▶ **Pjovimo įrankiai visuomet turi būti aštrūs ir švarūs.** Rūpestingai prižiūrėti pjovimo įrankiai su aštriomis pjovimo briaunomis mažiau stringa ir yra lengviau valdomi.
- ▶ **Elektrinį įrankį, reikmenis, keičiamuosius įrankius ir t. t. naudokite pagal šias instrukcijas. Taip pat atsižvelkite į darbo sąlygas ir atliekamo darbo pobūdį.** Elektrinius įrankius naudojant ne pagal paskirtį, gali kilti pavojingos situacijos.
- ▶ **Prižiūrėkite rankenas, kad jos ir jų laikymo paviršiai visada būtų sausi, švarūs ir neriebaluoti.** Slidžios rankenos ir jų laikymo paviršiai negali užtikrinti elektrinio įrankio saugaus naudojimo ir valdymo kontrolės nenumatytose situacijose.

Akumuliatorinio įrankio naudojimas ir elgesys su juo

- ▶ **Akumuliatoriams įkrauti naudokite tik tuos kroviklius, kuriuos rekomenduoja gamintojas.** Kroviklį, tinkantį tik nurodytiems akumuliatorių tipams, naudojant kitiems akumuliatoriams įkrauti, kyla gaisro pavojus.
- ▶ **Elektriniuose įrankiuose naudokite tik konkrečiai jiems skirtus akumuliatorius.** Naudojant kitokius akumuliatorius, kyla pavojus susižaloti ir sukelti gaisrą.
- ▶ **Nenaudojamo akumuliatoriaus nelaikykite šalia savoržėlių, monetų, raktų, vinių, varžtų ar kitokių smulkių metalinių daiktų, kurie galėtų trumpai sujungti akumuliatoriaus kontaktus.** Trumpai sujungus akumuliatoriaus kontaktus, yra pavojus nusidenginti ar sukelti gaisrą.
- ▶ **Netinkamai naudojant akumuliatorių, iš jo gali ištekėti skystis. Venkite kontakto su šiuo skysčiu. Jei skysčio atsitiktinai pateko ant odos, nuplaukite ją vandeniu, jei pateko į akis - gerai praplaukite jas vandeniu ir nedelsdami kreipkitės į gydytoją.** Akumuliatoriaus skystis gali sudirginti arba chemiškai nudeginti odą.
- ▶ **Nenaudokite pažeisto arba perdirbto akumuliatoriaus.** Pažeisti arba perdirbti akumuliatoriai gali funkcionuoti nenumatyta, todėl gali kelti gaisro, sprogoimo ar sužalojimų pavojų.
- ▶ **Akumuliatorių saugokite nuo ugnies ir per aukštos temperatūros.** Ugnies arba didesnės kaip 130 °C (265 °F) temperatūros veikiamas akumuliatorius gali sprogti.
- ▶ **Laikykites visų įkrovimo instrukcijų ir akumuliatorių arba akumuliatorinį įrankį visada įkraukite tik eksploataavimo instrukcijoje nurodytame temperatūrų diapazone.** Netinkamas įkrovimas arba įkrovimas už leistino temperatūrų diapazono ribų gali sugadinti akumuliatorių ir padidinti gaisro pavojų.

Techninė priežiūra

- ▶ **Savo elektrinį įrankį patikėkite remontuoti tik kvalifikuotam specialistui, tam jis turi naudoti tik originalias atsargines dalis.** Taip galima užtikrinti, kad bus išlaikytas prietaiso naudojimo saugumas.



- ▶ **Niekada nevykdykite pažeistų akumuliatorių techninės priežiūros.** Bet kokią akumuliatorių techninę priežiūrą leidžiama vykdyti tik gamintoji arba įgaliotoms klientų aptarnavimo įmonėms.

2.2 Saugos nurodymai smūginiams įrankiams

Saugos nurodymai visiems darbams

- ▶ **Dirbdami užsidėkite ausines.** Triukšmas gali pakenkti klausai.
- ▶ **Naudokite prietaiso komplekte esančias papildomas rankenas.** Prietaisui tapus nebevaldomam, galite susižaloti.
- ▶ **Vykdydami darbus, kurių metu keičiamasis įrankis gali paliesti paslėptus elektros laidus, prietaisą laikykite paėmę už izoliuotų rankenų paviršių.** Dėl kontakto su laidais, kuriais teka elektros srovė, metalinėse prietaiso dalyse taip pat gali atsirasti įtampa, todėl kyla elektros smūgio pavojus.

2.3 Papildomi saugos nurodymai dirbantiems su kirstuvu

Žmonių sauga

- ▶ Prietaisą ir priedus naudokite tik tada, kai jie yra techniškai tvarkingi.
- ▶ Prietaisą ir priedus draudžiama keisti ar atlikti kitokius jų pakeitimus.
- ▶ Kirsdami kalnu lubas, sienas ir grindis visada tvirtai ir saugiai stovėkite. Netikėtai prakirtę galite prarasti pusiausvyrą!
- ▶ Atlikdami sienų ar grindų pragręžimo ar praktikimo darbus, apsaugokite kitoje pusėje esančią zoną. Medžiagos skeveldros gali iškristi ir / arba nukristi ir sužaloti kitus žmones.
- ▶ Naudotojas ir netoliese esantys asmenys darbo su prietaisu metu turi užsidėti apsauginius akinius, apsauginį šalną, ausines ir užsidėti lengvą respiratorių.
- ▶ Keisdami įrankį, mūvėkite apsaugines pirštines. Liesdami keičiamąjį įrankį, galite susipjaustyti ir nusidėginti rankas.
- ▶ Dirbdami užsidėkite akių apsaugos priemonę. Medžiagų skeveldros gali sužaloti odą ir akis.
- ▶ Šlifuojant, pjaustant ir gręžiant kylančiose dulkėse gali būti pavojingų cheminių medžiagų. Štai keli pavyzdžiai: švinas ar dažai švino pagrindu, plytos, betonai ir kiti mūro statiniai, natūralus akmuo ir kiti gaminiai, kurių sudėtyje yra silikato, tam tikra mediena, ažuolas, bukas ir chemiškai apdorota mediena, asbestas arba medžiagos, kurių sudėtyje yra asbesto. Naudodamiesi medžiagų, su kuriomis dirbama, pavojingumo klase, nustatykite poveikį dirbančiajam ir aplink esantiems asmenims. Imkitės būtinų priemonių, užtikrinančių, kad poveikis liktų saugiame lygmenyje, pvz., naudokite dulkių surinkimo sistemą arba dėvėkite tinkamas kvėpavimo apsaugos priemones. Prie bendrųjų priemonių, skirtų poveikiui sumažinti, priskiriama:
 - ▶ darbas gerai vėdinamoje srityje,
 - ▶ ilgesnio kontakto su dulkėmis vengimas,
 - ▶ dulkių nuvedimas nuo veido ir kūno,
 - ▶ apsauginių drabužių dėvėjimas ir užterštų vietų nuplovimas vandeniu ir muilu.
- ▶ Dažnai darykite pertraukas ir pratimus, užtikrinančius geresnę Jūsų pirštų kraujotaką. Dirbant ilgesnį laiką, vibracijos gali sukelti pirštų, plaštakos ar riešo sąnario kraujagyslių ar nervų sistemos pažeidimus.

Apsauga nuo elektros

- ▶ Prieš pradėdami dirbti patikrinkite, ar darbo zonoje nėra paslėptų elektros laidų, dujų ar vandentiekio vamzdžių. Netyčia pažeidus elektros kabelį, dujų ar vandens vamzdį, išorinėse metalinėse prietaiso dalyse taip pat gali atsirasti įtampa, kelianti elektros smūgio pavojų, arba gali iškilti sprogimo pavojus.

Atsargus elektrinių įrankių naudojimas ir elgesys su jais

- ▶ Prieš padėdami prietaisą palaukite, kol jis visiškai sustos.

2.4 Su akumuliatoriais elgtis atsargiai

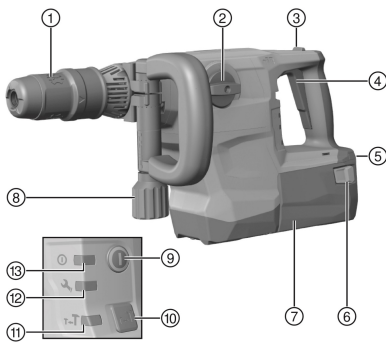
- ▶ Laikykitės ličio jonų akumuliatorių specialiųjų transportavimo, sandėliavimo ir naudojimo direktyvų.
- ▶ Akumuliatorius saugokite nuo aukštos temperatūros, tiesioginių saulės spindulių ir ugnies.
- ▶ Akumuliatorius draudžiama ardyti, spausti, kaitinti iki aukštesnės kaip 80 °C (176 °F) temperatūros arba deginti.
- ▶ Nenaudokite ir neįkraukite akumuliatorių, kurie buvo patyrę smūgi, kritę iš didesnio kaip vieno metro aukščio ar yra pažeisti kitokiu būdu. Tokiu atveju visada kreipkitės į savo **Hilti techninės priežiūros centrą**.
- ▶ Jeigu į rankas paimtas akumuliatorius atrodo karštas, jis gali būti sugedęs. Padėkite akumuliatorių matomoje, nedegioje vietos pakankamu atstumu nuo degių medžiagų. Leiskite akumuliatoriui atvėsti. Jei



akumulatorius po valandos vis dar yra per karštas paimti į rankas, jis yra sugedęs. Susisiekite su **Hilti** techninės priežiūros centru.

3 Aprašymas

3.1 Prietaiso vaizdas 1



- ① Įrankio griebtuvas
- ② Funkcijos pasirinkimo jungiklis
- ③ Nuolatinio veikimo režimo nustatymo mygtukas (tik kirtimui kaltu)
- ④ Valdymo jungiklis
- ⑤ Įkrovos lygio ir sutrikimų indikatorius (Li-Ion akumulatoriaus)
- ⑥ Atfiksavimo mygtukai su papildoma įkrovos lygio indikacijos suaktyvinimo funkcija
- ⑦ Akumulatorius
- ⑧ Šoninė rankena
- ⑨ Jungiklis
- ⑩ Pusės galios mygtukas
- ⑪ Pusės galios indikatorius
- ⑫ Techninės priežiūros indikatorius
- ⑬ Įjungimo / išjungimo indikatorius

3.2 Naudojimas pagal paskirtį

Aprašytas prietaisas yra akumulatorinis kirstuvas su pneumatiniu smūginiu mechanizmu. Jis yra skirtas lengviems ir vidutinio sunkumo mūro kirtimo bei papildomiems betono apdailos darbams.

- ▶ Su šiuo prietaisu naudokite tik B 36 serijos **Hilti** Li-Ion akumulatorius.
- ▶ Šiems akumulatoriams įkrauti naudokite tik C4/36 serijos **Hilti** kroviklius.

3.2.1 Netinkamas naudojimas

- Sveikatai pavojingoms medžiagoms apdoroti šis prietaisas netinka.
- Šis prietaisas nėra skirtas eksploatuoti drėgnoje aplinkoje.

3.3 Active Vibration Reduction

Prietaise yra įrengta Active Vibration Reduction (AVR) sistema, kuri stipriai mažina vibraciją.

3.4 Techninės priežiūros indikatorius

Prietaise yra įrengtas techninės priežiūros indikatorius su šviesos signalu.

3.4.1 MMI

Būsena	Reikšmė
Techninės priežiūros rodmuo šviečia.	Laikas vykdyti techninės priežiūros darbus.
Techninės priežiūros rodmuo mirksi.	Prietaisą pristatykite remontuoti į Hilti techninės priežiūros centrą.
Įjungimo / išjungimo rodmuo šviečia.	Prietaisas yra įjungtas
Įjungimo / išjungimo rodmuo mirksi.	Dėl laikino sutrikimo prietaisas yra išjungtas.
Įjungimo / išjungimo rodmuo nešviečia.	Prietaisas yra išjungtas.
Pusės galios rodmuo šviečia.	Prietaisas veikia puse galia.
Pusės galios rodmuo nešviečia.	Prietaisas veikia visa galia.

3.4.2 Ličio jonų akumulatoriaus indikatorius

Apie Li-Ion akumulatoriaus įkrovos lygį ir prietaiso sutrikimus informuoja Li-Ion akumulatoriaus indikatorius. Li-Ion akumulatoriaus įkrovos lygis rodomas paspaudus vieną iš dviejų akumulatoriaus atfiksavimo mygtukų.



Būseną	Reikšmė
Šviečia 4 diodai.	Įkrovos lygis: nuo 75 iki 100 %
Šviečia 3 diodai.	Įkrovos lygis: nuo 50 iki 75 %
Šviečia 2 diodai.	Įkrovos lygis: nuo 25 iki 50 %
Šviečia 1 diodas.	Įkrovos lygis: nuo 10 iki 25 %
1 šviesos diodas mirksi.	Įkrovos lygis: < 10 %
Mirksi 1 šviesos diodas, prietaisas neparengtas naudoti.	Akumulatorius yra perkaitęs arba visiškai išsekęs.
Mirksi 4 šviesos diodai, gaminys neparengtas naudoti.	Prietaisas yra perkrautas arba perkaitęs.

i Kai nuspaustas valdymo jungiklis ir maždaug 5 sekundes po jo paleidimo įkrovos lygio pasižiūrėti negalima.

Kai akumulatoriaus indikatorius šviesos diodai mirksi, laikykitės skyriaus „Pagalba sutrikus veikimui“ pateiktų nurodymų.

3.5 Tiekiamas komplektas

Kirstuvus, šoninė rankena, naudojimo instrukcija.

Daugiau Jūsų turimam prietaisui skirtų sisteminių reikmenų rasite vietinėje **Hilti Store** arba tinklalapyje www.hilti.group

4 Techniniai duomenys

	TE 500-A36
Nominalioji maitinimo įtampa	36 V
Svoris pagal EPTA-Procedure 01	7,9 kg
Smūgio energija pagal „EPTA-Procedure 05“	7,8 J
Įrankio griebtuvus	TE-Y
Laikymo temperatūra	-20 °C ... 70 °C
Darbinė aplinkos temperatūra	-17 °C ... 60 °C

4.1 Informacija apie triukšmą ir vibracijos reikšmės pagal EN 62841

Šiuose nurodymuose pateiktos garso slėgio ir vibracijos reikšmės yra išmatuotos taikant standartizuotą matavimo metodą ir gali būti naudojamos elektriniams įrankiams palyginti tarpusavyje. Jos taip pat tinka šių veiksmų poveikiui iš anksto įvertinti.

Nurodytieji duomenys yra susieti su pagrindinėmis šio elektrinio įrankio naudojimo sritimis. Jeigu elektrinis įrankis bus naudojamas kitaip, su skirtingais keičiamaisiais įrankiais arba bus nepakankamai techniškai prižiūrimas, šie duomenys gali skirtis nuo nurodytųjų. Tai gali gerokai padidinti šių veiksmų poveikį per visą darbo laikotarpį.

Norint tiksliai įvertinti poveikį, reikėtų įvertinti ir laiką, kai elektrinis prietaisas yra išjungtas, arba, nors ir įjungtas, juo faktiškai nedirbama. Toks įvertinimas gali smarkiai sumažinti poveikio per visą darbo laikotarpį reikšmę.

Imkitės papildomų saugos priemonių, kad darbuotojas būtų apsaugotas nuo triukšmo ir / arba vibracijos poveikio, pavyzdžiui, reikalaukite tinkamos elektrinio įrankio ir keičiamųjų įrankių techninės priežiūros, pasirūpinkite, kad darbuotojų rankos visada būtų šiltos, užtikrinkite tinkamą darbo organizavimą.

Skleidžiamo triukšmo lygis pagal EN 62841

	TE 500-A36
Garso slėgio lygis (LpA)	91 dB
Garso slėgio lygio paklaida (KpA)	3 dB
Garso galios lygis (LWA)	102 dB
Garso stiprumo lygio paklaida (KWA)	3 dB



Suminės vibracijų reikšmės pagal EN 62841

		TE 500-A36
Betono kirtimas kalnu ($a_{h, CHeg}$)	B 36/5.2	7,9 m/s ²
	B 36/9.0	7,4 m/s ²
Paklaida (K)		1,5 m/s ²

5 Akumulatorius

Akumulatoriaus darbinė įtampa	36 V
Darbinė aplinkos temperatūra	-17 °C ... 60 °C
Laikymo temperatūra	-20 °C ... 40 °C
Akumulatoriaus temperatūra, kai pradeda įkrauti	-10 °C ... 45 °C

6 Naudojimas
6.1 Pasiruošimas darbui


Prieš vykdydami prietaiso nustatymus ar keisdami reikmenis, prietaisą išjunkite arba iš jo išimkite akumulatorių.

Laikykitės šioje instrukcijoje ir ant prietaiso pateiktų saugos nurodymų ir įspėjimų.

6.1.1 Akumulatoriaus įdėjimas

ĮSPĖJIMAS
Sužalojimo pavojus dėl trumpojo jungimo arba krintančio akumulatoriaus!

- ▶ Prieš įdėdami akumulatorių įsitikinkite, kad jo ir prietaiso kontaktuose nėra pašalinių daiktų.
- ▶ Įsitikinkite, kad akumulatorius visada tinkamai užsifiksuos.

1. Prieš pirmąjį kartą naudodami, akumulatorių pilnai įkraukite.
2. Akumulatorių stumkite į prietaisą, kol jis girdimai užsifiksuos.
3. Patikrinkite, ar akumulatorius gerai užfiksuotas prietaise.

6.1.2 Akumulatoriaus išėmimas

1. Spauskite akumulatoriaus atfiksuojimo mygtukus.
2. Akumulatorių išimkite iš prietaiso.

6.1.3 Akumulatoriaus įkrovimas

1. Prieš pradėdami krauti, perskaitykite kroviklio naudojimo instrukciją.
2. Atkreipkite dėmesį, kad akumulatoriaus ir kroviklio kontaktai turi būti švarūs ir sausi.
3. Akumulatorių įkraukite leistinu krovikliu. → psl. 87

6.1.4 Šoninės rankenos montavimas

ATSARGIAI
Sužalojimo pavojus Yra grėsmė kirstuvo nebesuvaldyti.

- ▶ Įsitikinkite, kad šoninė rankena tinkamai sumontuota ir tvarkingai pritvirtinta.

1. Prietaisą išjunkite.
2. Sukdami rankeną, atlaisvinkite šoninės rankenos laikiklį (užspaudimo juosta).
3. Laikiklį (užspaudimo juosta) virš įrankio griebtuvo iš priekio stumkite pirmyn iki jam skirto griovelio.
4. Šoninę rankeną nustatykite į norimą padėtį.
5. Sukdami rankeną, šoninės rankenos laikiklį (užspaudimo juosta) priveržkite.

6.1.5 Galios nustatymas


Ištačius akumulatorių, prietaisas visada veiks visa galia.



1. Spauskite pusės galios mygtuką. Prietaisas perjungiamas į pusės galios režimą.
 - ▶ Šviečia pusės galios indikatorius.
2. Vėl spauskite pusės galios mygtuką. Prietaisas perjungiamas į visos galios režimą.
 - ▶ Pusės galios indikatorius gęsta.

6.1.6 Įrankio įdėjimas / išėmimas

PAVOJUS

Gaisro pavojus. Pavojų kelia karšto įrankio lietimasis su lengvai užsidegančiomis medžiagomis.

- ▶ Įkaitusio įrankio nedėkite ant lengvai užsidegančių medžiagų.

ĮSPĖJIMAS

Sužalojimo pavojus. Naudojamas įrankis įkaista.

- ▶ Keisdami įrankį, mūvėkite apsaugines pirštines.



Naudojant netinkamą tirštąjį tepalą, yra pavojus prietaisą pažeisti. **Naudokite tik originalų Hilti tirštąjį tepalą.**

1. Keičiamojo įrankio kotą šiek tiek patepkite tirštuoju tepalu.
 - ▶ Naudokite tik originalų **Hilti** tirštąjį tepalą. Netinkamas tirštasis tepalas gali sukelti prietaiso pažeidimus.
2. Funkcijos pasirinkimo jungiklį nustatykite į padėtį „Kirtimas kaltu“ **T**.
3. Keičiamąjį įrankį įstatykite į įrankio griebtuvą, kol atsirems, ir leiskite užsifiksuoti.
4. Patraukę už įstatyto įrankio patikrinkite, ar jis gerai užsifiksavo.
 - ▶ Prietaisas yra parengtas naudoti.
5. Įrankio fiksatorių traukite atgal, kol atsirems, ir keičiamąjį įrankį išimkite.

6.2 Darbas

ATSARGIAI

Sužalojimo pavojus Yra grėsmė kirstuvo nebesuvaldyti.

- ▶ Įsitinkinkite, kad šoninė rankena tinkamai sumontuota ir tvarkingai pritvirtinta.

Laikykites šioje instrukcijoje ir ant prietaiso pateiktų saugos nurodymų ir įspėjimų.

6.3 Kalto padėties nustatymas

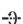
ATSARGIAI

Sužalojimo pavojus! Kirtimo kaltu krypties valdymo kontrolės praradimas.

- ▶ Nedirbkite, kai funkcijos pasirinkimo jungiklis yra padėtyje „Kalto padėties nustatymas“. Funkcijos pasirinkimo jungiklį nustatykite į padėtį „Smūginis grėžimas“ taip, kad užsifiksuotų.



Kaltą galima fiksuoti 24-iose padėtyse (15° žingsniu). Todėl plokščioju ir profiliu kaltu visada galima dirbti pasirinkus atitinkamą optimalią darbinę padėtį.

1. Prietaisą išjunkite.
2. Funkcijos pasirinkimo jungiklį nustatykite į padėtį „Kalto padėties nustatymas“ .
3. Kaltą pasukite į norimą padėtį.
4. Funkcijos pasirinkimo jungiklį nustatykite ties šiuo simboliu: **T**, kol užsifiksuos.
 - ▶ Prietaisas yra parengtas naudoti.



6.3.1 Kirtimas kalnu

- ▶ Funkcijos pasirinkimo jungiklį nustatykite į padėtį „Kirtimas kalnu“ **T**.



Prietaisą visada laikykite abiem rankomis. Prietaisas visada turi būti švarus, ant jo neturi būti alyvos ar tepalo.



Po darbo dar karšto prietaiso nedėkite ant degių medžiagų. Jos gali užsidegti.

6.3.2 Nuolatinio veikimo režimo įjungimas / išjungimas **5**



Į kirtimo kalnu režimą nustatytą valdymo jungiklį galite užfiksuoti.

1. Nuolatinio veikimo režimo nustatymo mygtuką stumti pirmyn.
2. Valdymo jungiklį spauskite iki galo.
 - ▶ Dabar prietaisas veikia nuolatinio veikimo režime.
3. Nuolatinio veikimo režimo nustatymo mygtuką stumti atgal.
 - ▶ Prietaisas išsijungia.

7 Priežiūra ir einamasis remontas



ĮSPĖJIMAS

Sužalojimo pavojus kai įstatytas akumulatorius !

- ▶ Prieš pradėdami bet kokius techninės priežiūros ir einamojo remonto darbus, akumuliatorių iš prietaiso išimkite!

Prietaiso priežiūra

- Pripilpusius nešvarumus atsargiai nuvalykite.
- Jei yra, vėdinimo plyšius atsargiai išvalykite sausu minkštu šepetėliu.
- Korpusą valykite tik šiek tiek sudrėkinta šluoste. Nenaudokite priemonių, kurių sudėtyje yra silikono, nes jos gali pakenkti plastikinėms detalėms.
- Prietaiso kontaktams nuvalyti naudokite švarią, sausą šluostę.

Ličio jonų akumuliatorių priežiūra

- Niekada nenaudokite akumuliatoriaus, jei jo vėdinimo plyšiai yra užsikimšę. Vėdinimo plyšius atsargiai išvalykite sausu, minkštu šepetėliu.
- Saugokite akumuliatorių nuo bereikalingo dulkių ir nešvarumų poveikio. Saugokite akumuliatorių nuo didelės drėgmės (pvz., nepanardinkite į vandenį ir nepalikite stovėti lietuje).
Jei akumuliatorių peršlapo, elkitės su juo kaip su pažeistu akumuliatoriumi. Izoliuokite jį nedegiamame konteineryje ir kreipkitės į **Hilti** techninės priežiūros centrą.
- Saugokite akumuliatorių nuo pašalinės alyvos ir tepalų. Saugokite, kad ant akumuliatoriaus nenusėstų dulkių ir nešvarumų. Akumuliatorių valykite sausu, minkštu šepetėliu arba švaria, sausa šluoste. Nenaudokite priemonių, kurių sudėtyje yra silikono, nes jos gali pakenkti plastikinėms detalėms. Nuleskite akumuliatoriaus kontaktų ir nepašalinkite nuo kontaktų gamykloje užtepto tepalo.
- Korpusą valykite tik šiek tiek sudrėkinta šluoste. Nenaudokite priemonių, kurių sudėtyje yra silikono, nes jos gali pakenkti plastikinėms detalėms.

Einamasis remontas

- Reguliariai tikrinkite, ar matomos dalys nėra pažeistos ir ar valdymo elementai veikia neprikaištingai.
- Nenaudokite pažeisto prietaiso arba prietaiso su veikimo trukdžiais. Prietaisą nedelsdami pristatykite remontuoti į **Hilti** techninės priežiūros centrą.
- Atlikę priežiūros ir remonto darbus uždėkite visus apsauginiai įtaisus ir patikrinkite, ar jie neprikaištingai veikia.



Kad eksploatacija būtų patikima, naudokite tik originalias atsargines dalis ir eksploatacines medžiagas. **Hilti** aprobuotas atsargines dalis, eksploatacines medžiagas ir reikmenis savo prietaisui rasite vietinėje **Hilti Store** arba tinklalapyje www.hilti.group



8 Akumuliatorių įrankių ir akumuliatorių transportavimas ir sandėliavimas

Transportavimas

ATSARGIAI

Atsitiktinis įjungimas transportuojant !

- ▶ Savo prietaisus visada transportuokite tik išėmę akumuliatorius!
- ▶ Išimkite akumuliatorių/akumuliatorius.
- ▶ Akumuliatorių niekada netransportuokite sumetę į krūvą su kitais daiktais. Transportuojamus akumuliatorius būtina saugoti nuo stiprių smūgių ir vibracijos, taip pat izoliuoti nuo bet kokių elektrai laidžių medžiagų ir kitų akumuliatorių, kad jie nesilieštų su kitų akumuliatorių poliais ir nesukeltų trumpojo jungimo. **Laikykitės eksploataavimo vietoje galiojančių akumuliatorių transportavimo direktyvų.**
- ▶ Akumuliatorius draudžiama siųsti paštu. Jei norite siųsti nepažeistus akumuliatorius, kreipkitės į pervežimų įmonę.
- ▶ Prieš kiekvieną naudojimą ir po ilgesnio transportavimo patikrinkite, ar prietaisai ir akumuliatoriai nepažeisti.

Sandėliavimas

ISPĖJIMAS

Atsitiktinis pažeidimas dėl sugedusių ar išsiliejusių akumuliatorių !

- ▶ Savo prietaisus visada laikykite tik išėmę akumuliatorius!
- ▶ Prietaisai ir akumuliatorių laikykite vėsioje ir sausoje vietoje. Atkreipkite dėmesį į ribines temperatūros vertes, nurodytas skyriuje "Techniniai duomenys".
- ▶ Akumuliatoriaus nelaikykite ant kroviklio. Akumuliatorių visada nuimkite nuo kroviklio po įkrovimo proceso.
- ▶ Nelaikykite akumuliatoriaus saulėje, ant šilumos šaltinių ar už lango stiklo.
- ▶ Prietaisą ir akumuliatorių laikykite vaikams bei neįgaliesiems asmenims neprieinamoje vietoje.
- ▶ Prieš kiekvieną naudojimą ir po ilgesnio sandėliavimo patikrinkite, ar prietaisai ir akumuliatoriai nepažeisti.

9 Pagalba sutrikus veikimui

Pasitaikius sutrikimų, kurie nėra aprašyti šioje lentelėje arba kurių negalite pašalinti patys, kreipkitės į **Hilti** techninės priežiūros centrą.

9.1 Sutrikimų paieška

Sutrikimas	Galima priežastis	Sprendimas
Prietaisas nesmūgiuoja.	Prietaisas per šaltas.	▶ Prietaisą padėkite ant grindų ir leiskite veikti tuščiaja eiga. Jeigu reikia, pakartokite, kol smūginis mechanizmas pradės veikti.
Akumuliatorius išsikrauna greičiau nei paprastai.	Akumuliatoriaus būklė nėra optimali.	▶ Akumuliatorių pakeiskite nauju.
Akumuliatorius neužsifiksuoja, ir nepasigirsta dvigubas spragtelėjimas.	Užterštas akumuliatoriaus fiksatorius.	▶ Fiksatorių išvalykite ir akumuliatorių įdėkite iš naujo.
Prietaisas automatiškai išsijungia.	Apsauga nuo perkrovos aktyvi.	Įjungimo / išjungimo rodmuo mirksi. ▶ Atleiskite valdymo jungiklį. Leiskite prietaisui atvėsti. Vėl spauskite valdymo jungiklį. Sumažinkite prietaiso apkrovą.
Prietaisas arba akumuliatorius stipriai kaista.	Elektrinis gedimas.	▶ Prietaisą nedelsdami išjunkite. Akumuliatorių išimkite ir stebėkite. Leiskite jam atvėsti. Susisiekite su Hilti techninės priežiūros centru.



Sutrikimas	Galima priežastis	Sprendimas
Prietaisas arba akumuliatorius stipriai kaista.	Prietaisas perkrautas (viršyta nurodyta apkrova).	► Pasirinkite tinkamos galios prietaisą.
Akumuliatoriaus šviesos diodai nieko nerodo.	Akumuliatorius netinkamai įstatytas.	► Akumuliatorių užfiksuokite: turi pasigirsti dvigubas spragtelėjimas.
	Akumuliatorius išsekęs.	► Akumuliatorių pakeiskite, o išsekusį – įkraukite.
	Akumuliatorius per karštas arba per šaltas.	► Akumuliatorių atvėsinkite arba pašildykite iki rekomenduojamos darbinės temperatūros.
1 akumuliatoriaus šviesos diodas mirksi.	Akumuliatorius išsekęs.	► Akumuliatorių pakeiskite, o išsekusį – įkraukite.
	Akumuliatorius per karštas arba per šaltas.	► Akumuliatorių atvėsinkite arba pašildykite iki rekomenduojamos darbinės temperatūros.
Mirksi 4 akumuliatoriaus šviesos diodai.	Prietaisas trumpam perkrautas.	► Atleiskite ir vėl paspauskite valdymo jungiklį.
	Apsauga nuo perkaitimo.	► Leiskite prietaisui atvėsti ir išvalykite vėdinimo plyšius.
Prietaisas veikia ne visa galia.	Ne iki galo nuspaustas valdymo jungiklis.	► Valdymo jungiklį spauskite, kol atsirems.
	Įjungtas pusės galios mygtukas.	► Spauskite pusės galios mygtuką.
Įrankio neįmanoma ištraukti iš griebtuvo.	Įrankio griebtuvas nėra atitrauktas iki galo.	► Įrankio fikساتorių traukite atgal, kol atsirems, ir įrankį išimkite.
	Netinkamai sumontuota šoninė rankena.	► Šoninę rankeną atlaisvinkite ir sumontuokite tinkamai, t. y. taip, kad užspaudimo juosta ir šoninė rankena užsifiksuotų griovelyje.
Prietaisas neįsijungia.	Dingus įtampai elektros tinkle, yra suaktyvintas elektroninis paleidimo blokatorius.	► Prietaisą išjunkite ir vėl įjunkite.
Techninės priežiūros rodmuo šviečia.	Pasiektas ribinis techninės priežiūros terminas.	► Prietaisą pristatykite remontuoti į Hilti techninės priežiūros centrą.
Techninės priežiūros rodmuo mirksi.	Prietaiso gedimai.	► Prietaisą pristatykite remontuoti į Hilti techninės priežiūros centrą.
Įjungimo / išjungimo indikatorius mirksi.	Prietaisas trumpam perkrautas.	► Atleiskite ir vėl paspauskite valdymo jungiklį.
	Apsauga nuo perkaitimo.	► Leiskite prietaisui atvėsti ir išvalykite vėdinimo plyšius.

10 Utilizavimas

Hilti prietaisai yra pagaminti iš medžiagų, kurias galima naudoti antrą kartą. Būtina antrinio perdirbimo sąlyga yra tinkamas medžiagų išrūšiuojimas. Daugelyje šalių **Hilti** priims Jūsų nebenaudojamą prietaisą perdirbti. Apie tai galite pasiteirauti artimiausiam **Hilti** techninės priežiūros centre arba savo prekybos konsultantui.



► Elektrinių įrankių, elektroninių prietaisų ir akumuliatorių neišmeskite į buitinius šiukšlynus!



11 RoHS (direktyva dėl pavojingų medžiagų naudojimo ribojimo)

Pavojingų medžiagų lentelę rasite spausdami šią nuorodą: qr.hilti.com/r10130182.
Nuorodą į RoHS lentelę rasite kaip QR kodą šios instrukcijos gale.

12 Gamintojo teikiama garantija

- ▶ Kilus klausimų dėl garantijos sąlygų, kreipkitės į vietinį Hilti partnerį.

Orijinal kullanım kılavuzu

1 Kullanım kılavuzu bilgileri

1.1 Bu kullanım kılavuzu hakkında

- Aleti çalıştırmadan önce bu kullanım kılavuzunu mutlaka okuyunuz. Bu, güvenli çalışma ve arızasız kullanım için ön koşuldur.
- Bu kullanım kılavuzunda ve ürün üzerinde bulunan emniyet ve uyarı bilgilerine dikkat ediniz.
- Kullanım kılavuzunu her zaman ürün üzerinde bulundurunuz ve ürünü sadece bu kullanım kılavuzu ile birlikte başka kişilere veriniz.

1.2 Resim açıklaması

1.2.1 Uyarı bilgileri

Uyarı bilgileri, ürün ile çalışırken ortaya çıkabilecek tehlikelere karşı uyarır. Aşağıdaki uyarı metinleri kullanılır:

TEHLİKE

TEHLİKE !

- ▶ Ağır vücut yaralanmalarına veya doğrudan ölüme sebep olabilecek tehlikeler için.

İKAZ

İKAZ !

- ▶ Ağır yaralanmalara veya ölüme neden olabilecek tehlikeler için.






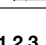
DİKKAT

DİKKAT !

- ▶ Vücut yaralanmalarına veya maddi hasarlara yol açabilecek olası tehlikeli durumlar için.

1.2.2 Kullanım kılavuzundaki semboller

Bu kullanım kılavuzunda aşağıdaki semboller kullanılmıştır:

	Kullanım kılavuzuna dikkat edilmelidir
	Kullanım uyarıları ve diğer gerekli bilgiler
	Geri dönüşümlü malzemeler ile çalışma
	Elektrikli aletleri ve aküleri evdeki çöplere atmayınız
	Hilti Lityum İyon akü
	Hilti Şarj cihazı

1.2.3 Çizimlerdeki semboller

Çizimlerde aşağıdaki semboller kullanılmıştır:

2	Bu sayılar, kullanım kılavuzunun başlangıcındaki ilgili çizime atanmıştır.
----------	--



3	Çizimlerdeki numaralandırma, önemli çalışma adımlarını veya çalışma adımları için önemli olan yapı parçalarını gösterir. Metinde, bu çalışma adımları veya yapı parçasına karşılık gelen sayılarla vurgulanmıştır, örn. (3).
	Pozisyon numaraları Genel bakış çiziminde kullanılır ve Ürüne genel bakış bölümündeki açıklama numaralarına referans niteliğindedir.
	Bu işaret, ürün ile çalışırken dikkatinizi çekmek için koyulmuştur.

1.3 Ürüne bağlı semboller

1.3.1 Üründeki semboller

Üründe aşağıdaki semboller kullanılabilir:

	Keskileme
	Keski konumlandırma
	Servis göstergesi
	Çap
n_0	Ölçüm rölanti devir sayısı
/min	Dakika başına devir
	Doğru akım
	Ürün, iOS ve Android platformları ile uyumlu kablosuz veri aktarımını destekler.
Li-Ion	Lityum İyon akü
	Kullanılan Hilti Lityum İyon akü tip serisi. Usulüne uygun kullanım bölümündeki bilgileri dikkate alın.
	Aküyü asla darbe aleti olarak kullanmayınız.
	Aküyü düşürmeyiniz. Darbe almış veya hasar görmüş bir aküyü kullanmayınız.

1.4 Açma/Kapatma

Semboller

	Ürün açık
	Ürün kapalı

1.5 Ürün bilgileri

HILTI ürünleri profesyonel kullanıcıların kullanımı için öngörülmüştür ve sadece yetkili personel tarafından kullanılabilir ve bakımı yapılabilir. Bu personel, meydana gelebilecek tehlikeler hakkında özel olarak eğitim görmüş olmalıdır. Aletin ve ilgili yardımcı gereçlerin eğitimsiz personel tarafından usulüne uygun olmayan şekilde kullanılması ve amaçları dışında çalıştırılması sonucu tehlikeli durumlar söz konusu olabilir.

Tip tanımı ve seri numarası, tip plakası üzerinde belirtilmiştir.

- Seri numarasını aşağıdaki tabloya aktarınız. Ürün bilgileri acente veya servis merkezini aradığınızda sorulabilir.

Ürün bilgileri

Keski tabancası	TE 500-A36
Nesil	04
Seri no.	



1.6 Uygunluk beyanı

Burada tanımlanan ürünün, geçerli yönetmeliklere ve normlara uygun olduğunu kendi sorumluluğumuzda beyan ederiz. Bu dokümantasyonun sonunda uygunluk beyanının bir kopyasını bulabilirsiniz.

Teknik dokümantasyonlar eklidir:

Hilti Entwicklungsgesellschaft mbH | Zulassung Geräte | Hiltistraße 6 | 86916 Kaufering, DE

2 Güvenlik

2.1 Elektrikli el aletleri için genel güvenlik uyarıları

⚠ İKAZ Bu elektrikli el aletine yönelik tüm güvenlik uyarılarını, talimatları, resimli açıklamaları ve teknik verileri dikkatlice okuyunuz. Aşağıdaki talimatlara uyulmaması durumunda elektrik çarpması, yangın ve/veya ağır yaralanmalar söz konusu olabilir.

Tüm güvenlik uyarılarını ve kullanım talimatlarını muhafaza ediniz.

Güvenlik uyarılarında kullanılan "Elektrikli el aleti terimi, şebeke işletimli elektrikli el aletleri (şebeke kablosu ile) veya akü işletimli elektrikli el aletleri (şebeke kablosu olmadan) ile ilgilidir.

İş yeri güvenliği

- ▶ **Çalışma alanınızı temiz ve aydınlık tutunuz.** Düzensiz veya aydınlatma olmayan çalışma alanları kazalara yol açabilir.
- ▶ **Yanıcı sıvıların, gazların veya tozların bulunduğu patlama tehlikesi olan yerlerde elektrikli el aleti ile çalışmayınız.** Elektrikli el aletleri, toz veya buharı yakabilecek kıvılcım oluşturur.
- ▶ **Elektrikli el aletini kullanırken çocukları ve diğer kişileri uzak tutunuz.** Dikkatiniz dağılırsa aletin kontrolünü kaybedebilirsiniz.

Elektrik güvenliği

- ▶ **Elektrikli el aletin bağlantı fişi prize uygun olmalıdır. Fiş hiçbir şekilde değiştirilmemelidir. Adaptör fişini topraklama korumalı elektrikli el aletleri ile birlikte kullanmayınız.** Değiştirilmemiş fişler ve uygun prizler elektrik çarpması riskini azaltır.
- ▶ **Borular, radyatörler, fırınlar ve buzdolapları gibi toprağa temas eden üst yüzeylere vücudunuzla temas etmekten kaçınınız.** Vücudunuzun toprakla teması var ise yüksek bir elektrik çarpması riski söz konusudur.
- ▶ **Elektrikli el aletini yağmurdan veya ıslaklıktan uzak tutunuz.** Elektrikli el aletine su girmesi, elektrik çarpması riskini artırır.
- ▶ **Elektrikli el aletini taşımak, asmak veya fişi prizden çekmek için bağlantı kablosunu kullanım amacı dışında kullanmayınız. Bağlantı kablosunu sıcağın, yağdan, keskin kenarlardan ve hareketli parçalardan uzak tutunuz.** Hasarlı veya dolanmış bağlantı kabloları elektrik çarpması riskini artırır.
- ▶ **Elektrikli bir el aleti ile açık alanda çalışacaksanız, sadece dışarıda kullanımına izin verilen uzatma kabloları kullanınız.** Dış mekanlar için uygun olan uzatma kablolarının kullanılması elektrik çarpması riskini azaltır.
- ▶ **Elektrikli el aleti işletiminin nemli ortamda yapılması kaçınılmaz ise bir kaçak akım koruma şalteri kullanınız.** Bir kaçak akım koruma şalterinin kullanımı elektrik çarpması riskini azaltır.

Kişilerin güvenliği

- ▶ **Dikkatli olunuz, ne yaptığınıza dikkat ediniz ve elektrikli el aleti ile mantıklı bir şekilde çalışınız.** Yorgunsanız veya uyuşturucu, alkol veya ilaç etkisi altında olduğunuzda elektrikli el aleti kullanmayınız. Elektrikli el aletini kullanırken bir anlık dikkatsizlik ciddi yaralanmalara neden olabilir.
- ▶ **Kişisel koruyucu donanım ve her zaman bir koruyucu gözlük takınız.** Elektrikli el aletinin türüne ve kullanımına göre toz maskesi, kaymayan güvenlik ayakkabısı, koruyucu kask veya kulaklık gibi kişisel koruyucu donanımların kullanılması yaralanma riskini azaltır.
- ▶ **İstem dışı çalışmayı önleyiniz. Güç kaynağına ve/veya aküyü bağlamadan, girişini yapmadan veya taşımadan önce elektrikli el aletinin kapalı olduğundan emin olunuz.** Elektrikli el aletini taşıırken parmağınız şalterde ise veye alet açık konumda güç kaynağına takılırsa bu durum kazalara yol açabilir.
- ▶ **Elektrikli el aletini devreye almadan önce ayar aletlerini veya vidalama anahtarlarını çıkartınız.** Dönen bir alet parçasında bulunan bir alet veya anahtar yaralanmalara yol açabilir.
- ▶ **Aşırı bir vücut hareketinden sakınınız. Güvenli bir duruş sağlayınız ve her zaman dengeli tutunuz.** Böylece beklenmedik durumlarda elektrikli el aletini daha iyi kontrol edebilirsiniz.
- ▶ **Uygun kıyafetler giyiniz. Bol kıyafetler giymeyiniz veya takı takmayınız. Saçları, kıyafetleri ve eldivenleri hareket eden parçalardan uzak tutunuz.** Bol kıyafetler, takı veya uzun saçlar hareket eden parçalara takılabilir.
- ▶ **Toz emme ve tutma tertibatları monte edilebiliyorsa bunların bağlı olduğundan ve doğru kullanıldığını emin olunuz.** Bu toz emme tertibatının kullanımı tozdan kaynaklanabilecek tehlikeleri azaltabilir.



- **Kendi güvenliğinizi riske atmayınız ve elektrikli el aletleri kullanımında son derece tecrübeli olsanız bile ilgili güvenlik kurallarını ihlal etmeyiniz.** Dikkatsiz kullanım saniyeler içerisinde ciddi yaralanmalara neden olabilir.

Elektrikli el aletinin kullanımı ve çalıştırılması

- **Aleti çok fazla zorlamayın. Çalışmanız için uygun olan elektrikli el aletini kullanın.** Uygun elektrikli el aleti ile bildirilen hizmet alanında daha iyi ve güvenli çalışırsınız.
- **Şalteri bozuk olan elektrikli el aletini kullanmayınız.** Açılıp kapatılmayan bir elektrikli el aleti tehlikelidir ve tamir edilmesi gerekir.
- **Alet ayarlarını yapmadan, aksesuar parçalarını değiştirmeden veya aleti bir yere koymadan önce fişi prizden ve/veya (çıkarılabilir) aküyü aletten çıkarınız.** Bu önlem, elektrikli el aletinin istem dışı çalışmasını engeller.
- **Kullanılmayan elektrikli el aletlerini çocukların erişemeyeceği yerde muhafaza edin. Aleti iyi tanımayan veya bu talimatları okumamış kişilere aleti kullandırmayınız.** Elektrikli el aletleri bilgisiz kişiler tarafından kullanılırsa tehlikelidir.
- **Elektrikli el aletlerinin ve aksesuarlarının bakımını titizlikle yapınız. Hareketli parçaların kusursuz çalıştığı ve sıkışmadığı, parçaların kırılıp kırılmadığı veya hasar görüp görmediği, elektrikli el aleti fonksiyonlarının kısıtlanma durumlarını kontrol ediniz. Hasarlı parçaları aleti kullanmadan önce tamir ettiriniz.** Birçok kazanın nedeni bakımı kötü yapılan elektrikli el aletleridir.
- **Kesme aletlerini keskin ve temiz tutun.** Özenle bakımı yapılmış keskin bıçak kenarı olan kesme aletleri daha az sıkışır ve kullanımı daha rahattır.
- **Elektrikli el aletini, aksesuarları, ek aletleri vb. bu talimatlara göre kullanın. Çalışma şartlarını ve yapılacak işi de ayrıca göz önünde bulundurun.** Elektrikli el aletlerinin öngörülen kullanımı dışında kullanılması tehlikeli durumlara yol açabilir.
- **Tutamağı ve tutamak yüzeylerini daima temiz ve yağ ve gresten arındırılmış durumda tutunuz.** Kaygan tutamaklar ve tutamak yüzeyleri güvenli bir kullanımı ve öngörülemez durumlarda elektrikli el aletinin kontrolünü engeller.

Akülü el aletinin kullanımı ve çalıştırılması

- **Aküleri sadece üretici tarafından tavsiye edilen şarj cihazları ile şarj ediniz.** Belirli bir akü için uygun olan bir şarj cihazı, başka akülerle kullanılırsa yanma tehlikesi vardır.
- **Elektrikli el aletlerinde sadece bunun için öngörülen aküler kullanılmalıdır.** Başka akülerin kullanılması yaralanmalara ve yanma tehlikelerine yol açabilir.
- **Kullanılmayan aküleri, kontakların köprülenmesine sebep olabilecek ataçlar, madeni paralar, anahtarlar, çiviler, vidalar veya diğer küçük metal cisimlerden uzak tutunuz.** Akü kontakları arasındaki kısa devre yanmalara veya alev oluşumuna sebep olabilir.
- **Yanlış kullanımda aküden sıvı çıkabilir. Bunlar ile teması önleyiniz. Yanlışlıkla temasta su ile durulayınız. Sıvı gözlerle temas ederse ayrıca doktor yardımı isteyiniz.** Dışarı akan akü sıvısı cilt tahrişine ve yanmalara yol açabilir.
- **Hasarlı veya değiştirilmiş aküleri kullanmayınız.** Hasarlı veya değiştirilmiş aküler öngörülemez şekilde yangın, patlama veya yaralanma tehlikesi içeren tutumlara neden olabilir.
- **Aküleri açık ateş yakınına koymayınız veya yüksek sıcaklıklara maruz bırakmayınız.** Açık ateş veya 130°C'nin (265°F) üzerinde sıcaklıklar patlama tehlikesine neden olabilir.
- **Tüm şarj talimatlarına uyunuz ve aküyü veya akülü aleti kullanım kılavuzunda öngörülen sıcaklık aralığının dışında şarj etmeyiniz.** Hatalı şarj veya öngörülen sıcaklık aralığının dışındaki şarj işlemleri akünün zarar görmesine ve yangın tehlikesine neden olabilir.

Servis

- **Elektrikli el aletinizi sadece kalifiye uzman personele ve sadece orijinal yedek parçalar ile tamir ettiriniz.** Böylece aletin güvenliğinin korunduğundan emin olunur.
- **Hasarlı akülere bakım yapmayınız.** Akülere yönelik tüm bakım çalışmaları sadece üretici veya yetkili müşteri hizmetleri tarafından yapılmalıdır.

2.2 Kırcı-delici için güvenlik uyarıları

Tüm çalışmalara yönelik güvenlik uyarıları

- **Kulaklık takınız.** Aşırı sestən dolayı duyma kaybı meydana gelebilir.
- **Aletle birlikte verilen ek tutamakları kullanın.** Kontrol kaybı yaralanmalara yol açabilir.
- **Kullandığınız aletin gizli elektrik hatlarına temas edebileceği yerlerde çalışıyorsanız ek aleti izolasyonlu tutamaklardan tutun.** Elektrik ileten bir hat ile temasta metal parçalar da gerilim altında kalır ve elektrik çarpmasına neden olabilir.



2.3 Keski tabancası ek güvenlik uyarıları

Kişilerin güvenliği

- ▶ Ürün ve aksesuarı sadece teknik açıdan sorunsuz durumdayken kullanınız.
- ▶ Ürün veya aksesuar üzerinde asla manipülasyon veya değişiklik yapılmamalıdır.
- ▶ Tavanda, duvarda ve zeminde kesikleme yaparken güvenli ve sabit bir duruş sağlamaya dikkat ediniz. Ani bir kırma hareketi dengeyi bozabilir!
- ▶ Kırma çalışmalarında, çalışılacak yerin karşı tarafında bulunan bölgeyi emniyete alın. Kırılan parçalar dışarı ve / veya yere düşebilir ve diğer kişilerin yaralanmasına sebep olabilir.
- ▶ Aletin kullanımı sırasında siz ve yakında bulunan kişilerin uygun bir koruyucu gözlük, koruyucu kask, kulaklık ve hafif solunum koruma maskesi takması gerekir.
- ▶ Alet değişimi sırasında koruyucu eldiven takılmalıdır. Ek alete takılan uçlara dokunmak kesik ve yanık türünde yaralanmalara yol açabilir.
- ▶ Koruyucu gözlük kullanın. Etrafa sıçrayan malzeme vücudu ve gözleri yaralayabilir.
- ▶ Taşlama, zımparalama, kesme ve delme işlemleri sonucunda oluşan tozlar tehlikeli kimyasallar içerebilir. Bazı örnekler şunlardır: Kurşun temelli kurşun veya boya; Tuğla, beton ve diğer duvar ürünleri, doğal taş ve diğer silikat içeren ürünler; Meşe, kayın gibi belirli ahşaplar ve kimyasal işlem görmüş ahşap; Asbest veya asbest içerikli malzemeler. Çalışılan malzemenin tehlike sınıfına göre kullanıcının ve çevredeki kişilerin maruziyetini belirleyiniz. Maruziyeti güvenli bir seviyede tutmak için bir toz toplama sisteminin kullanımı veya uygun bir solunum koruma maskesinin kullanımı gibi gerekli önlemleri alın. Maruziyeti azaltmaya yönelik genel önlemler aşağıdakilerdir:
 - ▶ İyi havalandırılan bir alanda çalışma,
 - ▶ Toz ile uzun süreli temastan kaçınma,
 - ▶ Yüz ve vücuttaki tozları giderme,
 - ▶ Koruyucu kıyafet kullanma ve maruz kalan alanları su ve sabunla yıkama.
- ▶ Parmaklarınızdaki kan dolaşımının daha iyi olması için sık sık molalar veriniz ve parmak egzersizleri yapınız. Uzun süren çalışmalarda yüksek titreşim, parmaklar, eller veya bileklerdeki sinir sisteminde veya kan damarlarında rahatsızlıklara neden olabilir.

Elektrik güvenliği

- ▶ Çalışmaya başlamadan önce çalışma alanında üzeri örtülü elektrik kablosu, gaz ve su borusu bulunup bulunmadığını kontrol ediniz. Bir elektrik hattına, bir gaz veya su borusuna zarar verilmesi halinde, ürünün dışındaki metal parçalar elektrik çarpmasına veya patlamaya neden olabilir.

Elektrikli el aletleri ile dikkatli çalışılması ve aletin doğru kullanılması

- ▶ Yere koymadan önce ürünün tamamen durmasını bekleyiniz.

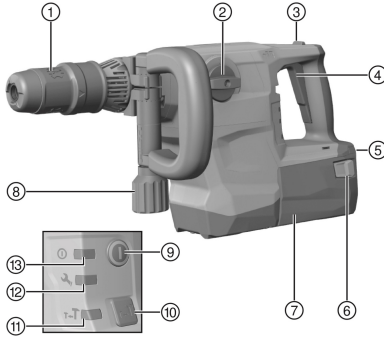
2.4 Akülü aletlerin özenli çalıştırılması ve kullanımı

- ▶ Lityum İyon akülerin taşıma, depolama ve kullanımına yönelik özel talimatları dikkate alın.
- ▶ Aküler, yüksek sıcaklıklarda, doğrudan güneş ışığından ve ateşten uzak tutulmalıdır.
- ▶ Aküler parçalarına ayrılmamalı, ezilmemeli, 80°C (176°F) üzerine ısıtılmamalı veya yakılmamalıdır.
- ▶ Darbe almış, bir metreden daha yüksek bir yerden düşmüş veya başka bir şekilde hasar görmüş aküleri kullanmayınız veya şarj etmeyiniz. Bu durumda her zaman **Hilti servisi** ile irtibat kurunuz.
- ▶ Akü tutulamayacak kadar sıcaksa arızalı olabilir. Pili, yanıcı malzemelere yeterli mesafede, görünür ve yanıcı olmayan bir yere yerleştiriniz. Aküyü soğumaya bırakınız. Akü bir saat sonra hala dokunulamayacak kadar sıcaksa, arızalı demektir. **Hilti servisi** ile iletişim kurunuz.



3 Tanımlama

3.1 Ürüne genel bakış



- ① Alet bağlantı yeri
- ② Fonksiyon seçme şalteri
- ③ Sürekli işletim için sabitleme düğmesi (sadece kesileme)
- ④ Kumanda şalteri
- ⑤ Şarj durumu ve hata göstergesi (Lityum İyon akü)
- ⑥ Şarj durumu göstergesinin devreye alınması ilave fonksiyonuna sahip kilit açma düğmeleri
- ⑦ Akü
- ⑧ Yan tutamak
- ⑨ Açma / kapatma şalteri
- ⑩ Yarım güç için tuş
- ⑪ Yarım güç için gösterge
- ⑫ Servis göstergesi
- ⑬ Açma/Kapatma göstergesi

3.2 Usulüne uygun kullanım

Açıklanan ürün, pnömomatik darbe mekanizması olan akülü bir keski tabancasıdır. Bu ürün duvardaki hafif-orta kesileme işleri ve beton üzerindeki ilave çalışmalar için kullanılabilir.

- Bu ürün için sadece B 36 tip serisi **Hilti** Lityum İyon aküler kullanınız.
- Bu aküler için sadece C4/36 serisi **Hilti** şarj cihazları kullanınız.

3.2.1 Olası yanlış kullanım

- Bu ürün, sağlığa zararlı maddelerin işlenmesi için uygun değildir.
- Bu ürün, nemli ortamlardaki çalışmalar için uygun değildir.

3.3 Active Vibration Reduction

Üründe opsiyonel olarak titreşimleri önemli ölçüde azaltan Active Vibration Reduction (AVR) sistemi mevcuttur.

3.4 Servis göstergesi

Üründe ışık sinyalli bir servis göstergesi mevcuttur.

3.4.1 MMI

Durum	Anlamı
Servis göstergesi yanıyor.	Servis ömrüne ulaşıldı.
Servis göstergesi yanıp sönüyor.	Ürün Hilti servisi tarafından onarılmalıdır.
Açma/Kapatma göstergesi yanıyor.	Ürün açık
Açma/Kapatma göstergesi yanıp sönüyor.	Ürün geçici bir hata nedeniyle kapalı.
Açma/Kapatma göstergesi kapalı.	Ürün kapalı.
Yarım güç göstergesi yanıyor.	Ürün yarım güçle çalışıyor.
Yarım güç göstergesi kapalı.	Ürün tam güçle çalışıyor.

3.4.2 Lityum İyon akü göstergesi

Lityum İyon akülerin şarj durumu ve aletin arızaları Lityum İyon akülerin göstergesiyle görüntülenir. Lityum İyon akülerin şarj durumu, her iki kilit açma tuşuna hafifçe basarak görüntülenebilir.

Durum	Anlamı
4 LED yanıyor.	Şarj durumu: %75 ile %100 arası
3 LED yanıyor.	Şarj durumu: %50 ile %75 arası



Durum	Anlamı
2 LED yanıyor.	Şarj durumu: %25 ile %50 arası
1 LED yanıyor.	Şarj durumu: %10 ile %25 arası
1 LED yanıp sönüyor.	Şarj durumu: < %10
1 LED yanıp sönüyor, ürün çalışmaya hazır değil.	Akü aşırı ısınmış veya tamamen boşalmış.
4 LED yanıp sönüyor, ürün çalışmaya hazır değil.	Alet aşırı yüklü veya aşırı ısınmış.

i Kumanda şalterine basılıyken ve kumanda şalteri bırakıldıktan sonra 5 saniye içinde şarj durumu sorgusu yapmak mümkün değildir.

Akü göstergesinin LED'leri yanıp söndüğünde lütfen Anzalar bölümündeki uyarıları dikkate alınız.

3.5 Teslimat kapsamı

Keski tabancası, yan tutamak, kullanım kılavuzu.

Ürün için izin verilen diğer sistem ürünlerini **Hilti Store**'da veya şu adreste bulabilirsiniz: www.hilti.group

4 Teknik veriler

	TE 500-A36
Nominal gerilim	36 V
01 EPTA Prosedürü'ne göre ağırlık	7,9 kg
EPTA prosedürü 05 uyarınca tek darbe enerjisi	7,8 J
Alet bağlantı yeri	TE-Y
Depolama sıcaklığı	-20 °C ... 70 °C
İşletim sırasındaki ortam sıcaklığı	-17 °C ... 60 °C

4.1 EN 62841 uyarınca ses bilgisi ve titreşim değerleri

Bu talimatlarda belirtilen ses basıncı ve titreşim değerleri, ilgili normlara uygun bir ölçüm metodu ile ölçülmüştür ve elektrikli el aletlerinin birbirleri ile karşılaştırılması için kullanılabilir. Zorlanmaların geçici olarak değerlendirilmesine de uygundur.

Belirtilen değerler, elektrikli el aletinin ana kullanım alanlarını temsil eder. Elektrikli el aletinin, farklı ek aletlerle veya yetersiz bakım yapılmış şekilde kullanılması durumunda, veriler sapma gösterebilir. Bu durum, toplam çalışma süresi boyunca zorlanmayı belirgin şekilde yükseltebilir.

Doğru bir zorlanma değerlendirmesi için elektrikli el aletinin kapatıldığı veya çalışır konumda olduğu ve ayrıca kullanımda olmadığı zamanlar da dikkate alınmalıdır. Bu durum, toplam çalışma süresi boyunca zorlanmayı belirgin şekilde azaltabilir.

Kullanıcıyı ses ve/veya titreşimin etkilerinden koruyacak ek güvenlik önlemleri belirleyiniz, örneğin: Elektrikli el aletinin ve ek aletlerin bakımının yapılması, ellerin sıcak tutulması, iş akışlarının düzenlenmesi.

EN 62841 uyarınca ses emisyon değerleri

	TE 500-A36
Ses basıncı seviyesi (LpA)	91 dB
Ses basıncı seviyesi için emniyetsizlik (KpA)	3 dB
Ses gücü seviyesi (LWA)	102 dB
Ses gücü seviyesi için emniyetsizlik (KWA)	3 dB

EN 62841 uyarınca toplam titreşim değerleri

	TE 500-A36	
Betonda kesileme ($a_{n, CHeg}$)	B 36/5.2	7,9 m/sn ²
	B 36/9.0	7,4 m/sn ²
Emniyetsizlik (K)	1,5 m/sn ²	



5 Akü

Akü çalışma gerilimi	36 V
İşletim sırasındaki ortam sıcaklığı	-17 °C ... 60 °C
Depolama sıcaklığı	-20 °C ... 40 °C
Şarj başlangıcında akü sıcaklığı	-10 °C ... 45 °C

6 Kullanım

6.1 Çalışma hazırlığı



Alet ayarlarını yapmadan veya aksesuar parçalarını değiştirmeden önce ürünü kapatınız veya aküyü çıkartınız.

Bu dokümanda ve ürün üzerinde bulunan güvenlik ve uyarı bilgilerine dikkat ediniz.

6.1.1 Akünün yerleştirilmesi



İKAZ

Yaralanma tehlikesi kısa devre veya akünün düşmesi nedeniyle!

- ▶ Aküyü yerleştirmeden önce, akü kontaklarında ve ürün içindeki kontaklarda yabancı cisim bulunmadığından emin olunuz.
- ▶ Akünün her zaman tam oturduğundan emin olunuz.

1. İlk kullanım öncesinde akü tamamen şarj edilmelidir.
2. Aküyü ürüne, duyulur şekilde yerine oturana kadar itiniz.
3. Akünün alette emniyetli bir şekilde yerleşip yerleşmediğini kontrol ediniz.

6.1.2 Akünün çıkartılması

1. Akünün serbest bırakma düğmelerine basınız.
2. Aküyü aletten çıkartınız.

6.1.3 Akünün şarj edilmesi

1. Şarj etmeden önce şarj cihazının kullanım kılavuzunu okuyunuz.
2. Akü ve şarj cihazının kontaklarının temiz ve kuru olmasına dikkat ediniz.
3. Aküyü izin verilen şarj cihazında şarj ediniz. → Sayfa 99

6.1.4 Yan tutamak montajı



DİKKAT

Yaralanma tehlikesi Keski tabancası üzerindeki kontrolün kaybedilmesi.

- ▶ Yan tutamağın doğru monte edildiğinden ve usulüne uygun şekilde sabitlendiğinden emin olunuz.

1. Aleti devreden çıkartınız.
2. Yan tutamak tutucusunu (germe bandı) sökmek için tutamağı çeviriniz.
3. Tutamağı (germe bandı), bunun için öngörülen oyuğa kadar alet bağlantı yeri üzerinden öne doğru itiniz.
4. Yan tutamağı istenen konuma konulandırınız.
5. Yan tutamak tutucusunu (germe bandı) germek için tutamağı çeviriniz.

6.1.5 Güç ayarı



Akü takıldıktan sonra ürün her zaman tam güce ayarlanır.

1. "Yarım güç tuşu"na basın. Ürün, yarım güç moduna geçer.
 - ▶ "Yarım güç göstergesi" yanar.
2. "Yarım güç tuşu"na yeniden basın. Ürün, tam güç moduna geçer.
 - ▶ "Yarım güç göstergesi" söner.



6.1.6 Aletin takılması/çıkartılması

TEHLİKE

Yangın tehlikesi Sıcak alet ile yanıcı malzemelerin temas etmesi durumunda tehlike.

- ▶ Aleti yanıcı malzemelerin üzerine koymayınız.

İKAZ

Yaralanma tehlikesi Alet kullanım sırasında ısınır.

- ▶ Alet değişimi sırasında koruyucu eldiven takılmalıdır.



Uygun olmayan bir gres kullanılması, üründe hasarlara neden olabilir. **Sadece Hilti marka orijinal gres kullanınız.**

1. Ek aletin giriş ucunu gresle hafifçe yağlayınız.
 - ▶ Sadece **Hilti** marka orijinal gres kullanınız. Yanlış bir gres tipi üründe hasara neden olabilir.
2. Fonksiyon seçme şalterini "Keskileme" konumuna getiriniz **T**.
3. Ek aleti dayanak yerine kadar alet bağlantı yerine yerleştirip oturtunuz.
4. Aleti yerleştirdikten sonra çekerek güvenli kilitleme durumunu kontrol ediniz.
 - ▶ Ürün kullanıma hazırdır.
5. Alet kilidini dayanak noktasına kadar geri çekiniz ve ek aleti çıkartınız.

6.2 Çalışma

DİKKAT

Yaralanma tehlikesi Keski tabancası üzerindeki kontrolün kaybedilmesi.

- ▶ Yan tutamağın doğru monte edildiğinden ve usulüne uygun şekilde sabitlendiğinden emin olunuz.

Bu dokümanda ve ürün üzerinde bulunan güvenlik ve uyarı bilgilerine dikkat ediniz.

6.3 Keski konumlandırma

DİKKAT

Yaralanma tehlikesi! Keski yönü kontrolünü kaybetme.

- ▶ "Keski konumlandırma" konumunda çalışmayınız. Fonksiyon seçme şalterini "Keskileme" konumuna oturuncaya kadar döndürünüz.



Keski, 24 farklı konumda (15°'lik kademelerle) ayarlanabilir. Böylece yassı ve kalıp keskiler ile her zaman en uygun çalışma konumunda çalışılabilir.

1. Aleti devreden çıkartınız.
2. Fonksiyon seçme şalterini "Keski konumlandırma" konumuna getiriniz →.
3. Keskiyi istediğiniz pozisyona çevirin.
4. Fonksiyon seçme şalterini bu sembolün üzerine getirin: Yerine oturuncaya kadar **T**.
 - ▶ Ürün kullanıma hazırdır.

6.3.1 Keskileme

- ▶ Fonksiyon seçme şalterini "Keskileme" konumuna getiriniz **T**.



Ürünü her zaman iki elle sabit tutunuz. Ürünü temiz, yağsız ve gressiz bir şekilde muhafaza ediniz.



Sıcak ürünü çalışmadan sonra yanıcı olan malzemeler üzerine koymayınız. Bu tutuşabilir.



6.3.2 Sürekli çalışmayı açma/kapatma 5



Keski çalışma modunda kumanda şalterini açık durumdayken kilitleyebilirsiniz.

1. Sürekli çalışma için sabitleme düğmesi öne itiniz.
2. Kumanda şalterine iyice basınız.
 - ▶ Ürün şimdi sürekli moda çalışır.
3. Sürekli çalışma için sabitleme düğmesini arkaya itiniz.
 - ▶ Ürün kapanır.

7 Bakım ve onarım



İKAZ

Takılı aküden dolayı yaralanma tehlikesi !

- ▶ Tüm bakım ve onarım çalışmalarından önce her zaman aküyü çıkarınız!

Ürün bakımı

- Yapışmış olan kirleri dikkatle çıkartınız.
- Eğer mevcutsa, havalandırma deliklerini kuru ve yumuşak bir fırça ile dikkatlice temizleyiniz.
- Gövdeyi sadece hafif nemli bir temizlik bezi ile temizleyiniz. Plastik parçalara yapışabileceğinden silikon içerikli bakım maddeleri kullanmayınız.
- Ürünün üzerindeki kontak noktalarını temizlemek için temiz ve kuru bir bez kullanınız.

Lityum İyon akülerin bakımı

- Bir aküyü asla havalandırma delikleri tıkalıyken kullanmayınız. Havalandırma deliklerini kuru, yumuşak bir fırça ile dikkatlice temizleyiniz.
- Akünün gereksiz yere toza veya kire maruz kalmamasını sağlayınız. Aküyü asla yüksek neme maruz bırakmayınız (örneğin suya daldırmayınız veya yağmurda bırakmayınız). Bir akünün ıslanması halinde, ona hasarlı bir akü gibi davranınız. Yanıcı olmayan bir kabın içinde izole ediniz ve **Hilti** servisine başvurunuz.
- Aküyü yabancı yağ ve gresten uzak tutunuz. Akünün üzerinde gereksiz yere toz veya kir birikmesine izin vermeyiniz. Aküyü kuru, yumuşak bir fırça veya temiz, kuru bir bezle temizleyiniz. Plastik parçalara yapışabileceğinden silikon içerikli bakım maddeleri kullanmayınız. Akünün kontak noktalarına dokunmayınız ve kontak noktalarına fabrikada uygulanmış olan gresi kesinlikle çıkartmayınız.
- Gövdeyi sadece hafif nemli bir temizlik bezi ile temizleyiniz. Plastik parçalara yapışabileceğinden silikon içerikli bakım maddeleri kullanmayınız.

Bakım

- Görünür tüm parçalarda hasar olup olmadığını ve kumanda elemanlarının sorunsuz şekilde çalışıp çalışmadığını düzenli olarak kontrol ediniz.
- Hasar ve/veya fonksiyon arızaları durumunda ürünü işletmeyiniz. Ürünü gecikmeden **Hilti** servisine tamir ettiriniz.
- Bakım ve onarım çalışmalarından sonra tüm koruma tertibatlarını yerleştiriniz ve bunların fonksiyonlarını sorunsuz olarak yerine getirmekte olup olmadıklarını kontrol ediniz.



Güvenli çalışma için sadece orijinal yedek parçalar ve tüketim malzemeleri kullanınız. **Hilti** tarafından onaylanmış, yedek parçaları, aksesuarları ve sarf malzemelerini **Hilti Store** veya şu adreste bulabilirsiniz: www.hilti.group

8 Akülü aletlerin ve akülerin taşınması ve depolanması

Taşıma



DİKKAT

Taşıma sırasında aletin istem dışı çalışması !

- ▶ Ürünlerinizi her zaman aküler takılı olmadan taşıyınız!
- ▶ Aküleri çıkartınız.



- ▶ Aküleri kesinlikle sıkıca bağlanmamış koruma ile nakletmeyiniz. Nakliye sırasında, aküler aşırı şok ve titreşimlerden korunmalı ve başka akü kutupları ile temas ederek kısa devreye neden olmaları için, her türlü iletken malzeme veya diğer akülerden izole edilmiş olmalıdır. **Aküler için yerel taşıma talimatlarını dikkate alınız.**
- ▶ Aküler posta ile gönderilmemelidir. Hasarsız aküleri sevk etmek istemeniz halinde, bir nakliye şirketine başvurunuz.
- ▶ Ürünün ve akülerin hasar görmüş olup olmadığını her kullanımdan önce olduğu gibi uzun taşımaldan önce ve sonra kontrol ediniz.

Depolama



Arızalı veya akan aküler nedeniyle beklenmeyen hasar oluşumu !

- ▶ Ürünlerinizi her zaman aküleri yerleştirmeden depolayınız!
- ▶ Ürünü ve aküleri serin ve kuru bir yerde muhafaza ediniz. Teknik verilerde belirtilen sıcaklık sınır değerlerini dikkate alınız.
- ▶ Aküleri şarj cihazının üzerinde muhafaza etmeyiniz. Şarj işleminden sonra her zaman aküyü şarj cihazından çıkartınız.
- ▶ Aküleri kesinlikle güneşte, ısı kaynakları üzerinde veya cam arkasında muhafaza etmeyiniz.
- ▶ Ürünü ve aküleri çocukların ve yetkisiz kişilerin ulaşamayacağı yerlerde muhafaza ediniz.
- ▶ Ürünün ve akülerin hasar görmüş olup olmadığını her kullanımdan önce olduğu gibi uzun süreli depolamalardan önce ve sonra kontrol ediniz.

9 Arıza durumunda yardım

Bu tabloda listelenmemiş veya kendi başınıza gideremediğiniz arızalarda lütfen yetkili **Hilti** servisimiz ile irtibat kurunuz.

9.1 Hata arama

Arıza	Olası sebepler	Çözüm
Darbe yok.	Ürün çok soğuk.	▶ Ürünü zemine yerleştiriniz ve rölantide çalıştırınız. Darbe mekanizması çalışıncaya kadar gerektiği kadar tekrarlayınız.
Akü normalden daha hızlı boşalıyor.	Akünün durumu uygun değil.	▶ Aküyü değiştiriniz.
Akü paketi duyulabilir bir "çift klik" sesi ile yerine oturmuyor.	Akünün kilit tırnakları kirlenmiş.	▶ Kilit tırnaklarını temizleyiniz ve aküyü yeniden yerine oturtunuz.
Ürün otomatik olarak kapanır.	Zorlanma emniyeti etkin.	Açma/Kapatma göstergesi yanıp sönüyor. ▶ Kumanda şalterini bırakınız. Ürünü soğumaya bırakınız. Kumanda şalterine yeniden basınız. Alet yükünü azaltınız.
Üründe veya aküde yüksek ısı üretimi.	Elektrik arızası.	▶ Ürünü hemen kapatınız. Aküyü çıkartınız ve durumunu inceleyiniz. Soğumaya bırakınız. Hilti servisi ile iletişim kurunuz.
	Ürün aşırı yüklenmiş (kullanım sınırı aşılmış).	▶ Uygulamaya uygun bir ürün seçiniz.
Aküdeki LED'ler hiçbir faaliyet göstermiyor.	Akü yerine tamamen takılmamış.	▶ Aküyü çift klik sesi ile yerine oturtunuz.
	Akü deşarj olmuş.	▶ Aküyü değiştiriniz ve boş aküyü şarj ediniz.
	Akü çok sıcak veya çok soğuk.	▶ Akü tavsiye edilen çalışma sıcaklığına getirilmelidir.
Aküdeki 1 LED yanıp sönüyor.	Akü deşarj olmuş.	▶ Aküyü değiştiriniz ve boş aküyü şarj ediniz.



Arıza	Olası sebepler	Çözüm
Aküdeki 1 LED yanıp sönüyor.	Akü çok sıcak veya çok soğuk.	► Akü tavsiye edilen çalışma sıcaklığına getirilmelidir.
Aküdeki 4 LED yanıp sönüyor.	Ürün kısa süreli olarak aşırı yüklenmiş.	► Kumanda şalterini bırakınız ve şaltare sonra yeniden basınız.
	Aşırı sıcaklık koruması.	► Ürünü soğuması için bırakınız ve havalandırma kanallarını temizleyiniz.
Ürün tam güce sahip değil.	Kumanda şalteri tam basılı değil.	► Kumanda şalterine dayanak noktasına kadar bastırın.
	Yarım güç tuşu açık.	► "Yarım güç" tuşuna basınız.
El aleti kilitlenmeden çalışmıyor.	Alet bağlantı yeri tam olarak geri çekilmemiş.	► Alet kilidini dayanak noktasına kadar geri çekiniz ve aleti çıkartınız.
	Yan tutamak doğru monte edilmiş.	► Germe bandı ve yan tutamağın boşluğa oturması için yan tutamak sökülmeli ve doğru monte edilmelidir.
Ürün çalıştırılmıyor.	Elektronik çalışma blokajı güç kaynağı kesikliğinden sonra aktiftir.	► Ürünü kapatınız ve tekrar açınız.
Servis göstergesi yanıyor.	Servis süresi sınırına ulaşıldı.	► Ürün Hilti servisi tarafından onarılmalıdır.
Servis göstergesi yanıp sönüyor.	Ürün üzerinde hasar.	► Ürün Hilti servisi tarafından onarılmalıdır.
Açma/Kapatma göstergesi yanıp sönüyor.	Ürün kısa süreli olarak aşırı yüklenmiş.	► Kumanda şalterini bırakınız ve şaltare sonra yeniden basınız.
	Aşırı sıcaklık koruması.	► Ürünü soğuması için bırakınız ve havalandırma kanallarını temizleyiniz.

10 İmha

Hilti aletleri yüksek oranda geri dönüşümlü malzemelerden üretilmiştir. Geri dönüşüm için gerekli koşul, usulüne uygun malzeme ayrımıdır. Çoğu ülkede **Hilti**, eski aletlerini yeniden değerlendirme üzere geri alır. Bu konuda **Hilti** müşteri hizmetlerinden veya satış temsilcinizden bilgi alabilirsiniz.



- Elektrikli el aletlerini, elektronik cihazları ve aküleri evdeki çöplere atmayınız!

11 RoHS (Tehlikeli madde kullanımını kısıtlama direktifi)

Aşağıdaki linkte tehlikeli maddeler tablosunu bulabilirsiniz: qr.hilti.com/r10130182.

RoHS tablosunun linkini bu dokümanın sonunda QR kodu olarak bulabilirsiniz.

12 Üretici garantisi

- Garanti koşullarına ilişkin sorularınız için lütfen yerel **Hilti** iş ortağınıza başvurunuz.



1 بيانات بخصوص دليل الاستعمال

1.1 خاص بدليل الاستعمال هذا

- اقرأ دليل الاستعمال قبل التشغيل. يعتبر هذا شرطا للعمل بشكل آمن والاستخدام بدون اختلالات.
- احرص على مراعاة إرشادات الأمان والإرشادات التحذيرية الواردة دليل الاستعمال هذا والمدونة على المنتج.
- احتفظ بدليل الاستعمال دائما مع هذا المنتج، ولا تعطي المنتج لأشخاص آخرين إلا مع إرفاق دليل الاستعمال هذا معه.

2.1 شرح العلامات

1.2.1 إرشادات تحذيرية

تنبه الإرشادات التحذيرية إلى الأخطار الناشئة عند التعامل مع الجهاز. يتم استخدام الكلمات الدليلية التالية:



خطر

خطر!

◀ تشير لخطر مباشر يؤدي لإصابات جسدية خطيرة أو إلى الوفاة.



تحذير

تحذير!

◀ تشير لخطر محتمل قد يؤدي لإصابات جسدية خطيرة أو إلى الوفاة.



احترس!

◀ تشير لموقف خطر محتمل يمكن أن يؤدي لإصابات جسدية أو أضرار مادية.

2.2.1 الرموز في دليل الاستعمال

يتم استخدام الرموز التالية في دليل الاستعمال هذا:

يُراعى دليل الاستعمال	
إرشادات الاستخدام ومعلومات أخرى مفيدة.	
التعامل مع مواد قابلة لإعادة التدوير	
لا تتخلص من الأجهزة الكهربائية البطاريات ضمن القمامة المنزلية	
Hilti بطارية أيونات الليثيوم	
Hilti جهاز الشحن	

3.2.1 الرموز في الصور

تستخدم الرموز التالية في الرسوم التوضيحية:

تشير هذه الأعداد إلى الصورة المعنية في بداية دليل الاستعمال هذا.	2
تشير الأرقام في الصور إلى خطوات العمل المهمة أو إلى الأجزاء المهمة لخطوات العمل. يتم إبراز هذه الخطوات أو الأجزاء في النص من خلال الأرقام، على سبيل المثال (3).	3
يتم استخدام أرقام المواضع في صورة العرض العام وهي تشير إلى أرقام تعليق الصورة في فصل عرض عام للمنتج.	11
هذه العلامة من شأنها أن تُثير انتباهك جيدا عند التعامل مع المنتج.	



3.1 الرموز المرتبطة بالمنتج

1.3.1 الرموز على المنتج

قد تكون الرموز التالية مستخدمة على المنتج:

النقر بالإزميل	T
تحديد موضع الإزميل	⊖
مبين الخدمة	⚡
القطر	∅
عدد اللفات الاسمي في الوضع المحايد	n ₀
عدد اللفات في الدقيقة	/min
تيار مستمر	===
يدعم المنتج عملية نقل البيانات لاسلكياً، والتي تتوافق مع أجهزة آيفون وأندرويد.	
بطارية أيونات الليثيوم	Li-Ion
بطاريات أيونات الليثيوم Hilti المستخدمة من النوع. احرص على مراعاة التعليمات الواردة في الفصل الاستخدام المطابق للتعليمات.	
لا تستخدم البطارية أبداً كمطرقة.	
لا تدع البطارية تسقط. لا تستخدم بطارية تعرضت لصدمات أو أي نوع آخر من التلفيات.	

4.1 التشغيل/الإيقاف

الرموز

المنتج مشغل	
المنتج متوقف	

5.1 معلومات المنتج

منتجات **Hilti** مصممة للمستخدمين المحترفين ويقتصر استعمالها وصيانتها وإصلاحها على الأشخاص المعتمدين والمدربين جيداً. هؤلاء الأشخاص يجب أن يكونوا قد تلقوا تدريباً خاصاً على الأخطار الطارئة. قد يتسبب الجهاز وأدواته المساعدة في حدوث أخطار إذا تم التعامل معها بشكل غير سليم فنياً من قبل أشخاص غير مدربين أو تم استخدامها بشكل غير مطابق للتعليمات. يوجد مسمى الطراز والرقم المسلسل على لوحة الصنع. انقل الرقم المسلسل في الجدول التالي. ستحتاج إلى بيانات المنتج في حالة الاستفسارات الموجهة إلى ممثلينا أو مركز الخدمة.

بيانات المنتج

الإزميل الدقاق	الجهاز TE 500-A36
الجيل	04
الرقم المسلسل	

6.1 بيان المطابقة

نقر على مسؤوليتنا الفردية بأن المنتج المشروح هنا متوافق مع التشريعات والمواصفات المعمول بها. تجد صورة لبيان المطابقة في نهاية هذا المستند. المستندات الفنية محفوظة هنا:

Hilti Entwicklungsgesellschaft mbH | Zulassung Geräte | Hiltistraße 6 | 86916 Kaufering, DE



1.2 إرشادات السلامة العامة المتعلقة بالأدوات الكهربائية

⚠️ **تحذير** احرص على قراءة جميع إرشادات السلامة، التوجيهات، الصور التوضيحية والموصفات الفنية المرفقة مع هذه الأداة الكهربائية. أي تقصير أو إهمال في الالتزام بالتعليمات التالية قد يتسبب في حدوث صعق كهربائي، نشوب حريق و/أو وقوع إصابات خطيرة.

احتفظ بجميع مستندات إرشادات السلامة والتعليمات لاستخدامها عند الحاجة إليها فيما بعد. يقصد بمصطلح «الأداة الكهربائية» المذكور في إرشادات السلامة الأدوات الكهربائية المشغلة المشغلة بالكهرباء (باستخدام كابل الكهرباء) أو الأدوات الكهربائية المشغلة بالبطاريات (بدون كابل الكهرباء).

سلامة مكان العمل

- ◀ حافظ على نطاق عملك نظيفاً ومضاءً بشكل جيد. الفوضى أو أماكن العمل غير المضاءة يمكن أن تؤدي لوقوع حوادث.
- ◀ لا تعمل بالأداة الكهربائية في محيط معرض لخطر الانفجار يتواجد به سوائل أو غازات أو أنواع غبار قابلة للاشتعال. الأدوات الكهربائية تولد شرراً يمكن أن يؤدي لإشعال الغبار والأبخرة.
- ◀ احرص على إبعاد الأطفال والأشخاص الآخرين أثناء استخدام الأداة الكهربائية. في حالة انصراف انتباهك قد تفقد السيطرة على الجهاز.

السلامة الكهربائية

- ◀ يجب أن يكون قابس توصيل الأداة الكهربائية متلائماً مع المقبس. لا يجوز تعديل القابس بأي حال من الأحوال. لا تستخدم قوايس مهايأة مع أدوات كهربائية ذات وصلة أرضي محمية. القوايس غير المعدلة والمقابس الملائمة تقلل من خطر حدوث صدمة كهربائية.
- ◀ تجنب حدوث تلامس للجسم مع أسطح مؤرضة مثل الأسطح الخاصة بالمواسير وأجهزة التدفئة والمواد الثلجات. ينشأ خطر متزايد من حدوث صدمة كهربائية عندما يكون جسمك متصلاً بالأرض.
- ◀ أبعد الأدوات الكهربائية عن الأمطار أو البلل. تسرب الماء إلى داخل الأداة الكهربائية يزيد من خطر حدوث صدمة كهربائية.
- ◀ لا تستخدم كابل التوصيل لحمل الأداة الكهربائية أو تعليقها أو لسحب القابس من المقبس. احتفظ بكابل التوصيل بعيداً عن السخونة والزيوت والمواف الحادة والأجزاء المتحركة. كبلات التوصيل التالفة أو المتشابكة تزيد من خطر حدوث صعق كهربائي.
- ◀ عندما تعمل بأداة كهربائية في مكان مكشوف، فلا تستخدم سوى كبلات الإطالة المناسبة للعمل في النطاق الخارجي. استخدام كابل إطالة مناسب للعمل في النطاق الخارجي يقلل من خطر حدوث صعق كهربائي.
- ◀ إذا تعذر تجنب تشغيل الأداة الكهربائية في محيط رطب، فاستخدم مفتاح حماية من تسرب التيار. استخدام مفتاح الحماية من تسرب التيار يقلل خطر حدوث صدمة كهربائية.

سلامة الأشخاص

- ◀ كن يقظاً وانتبه لما تفعل وتعامل مع الأداة الكهربائية بتعقل عند العمل بها. لا تستخدم الأداة الكهربائية عندما تكون متعباً أو تحت تأثير المخدرات أو الكحوليات أو العقاقير. فقد يتسبب عدم الانتباه للحظة واحدة أثناء الاستخدام في حدوث إصابات بالغة.
- ◀ ارتد تجهيزات وقاية شخصية وارتد دائماً نظارة واقية. ارتداء تجهيزات وقاية شخصية، مثل قناع الوقاية من الغبار وأحذية الأمان المضادة للانزلاق وخوذة الوقاية أو واقي السمع، تبعاً لنوع واستخدام الأداة الكهربائية، يقلل من خطر الإصابات.
- ◀ تجنب التشغيل بشكل غير مقصود. تأكد أن الأداة الكهربائية مطفأة قبل توصيلها بالكهرباء و/أو بالبطارية وقبل رفعها أو حملها. إذا كان إصبعك على المفتاح عند حمل الأداة الكهربائية أو كان الجهاز في وضع التشغيل عند التوصيل بالكهرباء، فقد يؤدي ذلك لوقوع حوادث.
- ◀ أبعد أدوات الضبط أو مفاتيح ربط البراغي قبل تشغيل الأداة الكهربائية. الأداة أو المفتاح المتواجد في جزء دوار من الجهاز يمكن أن يؤدي لحدوث إصابات.
- ◀ تجنب اتخاذ وضع غير طبيعي للجسم. احرص على أن تكون واقفاً بأمان وحافظ على توازنك في جميع الأوقات. من خلال ذلك تستطيع السيطرة على الأداة الكهربائية بشكل أفضل في المواقف المفاجئة.
- ◀ ارتد ملابس مناسبة. لا ترتد ملابس فضفاضة أو حلي. احرص على أن يكون الشعر والملابس والقفازات بعيدة عن الأجزاء المتحركة. الملابس الفضفاضة أو الحلي أو الشعر الطويل يمكن أن تشبكت في الأجزاء المتحركة.
- ◀ إذا أمكن تركيب تجهيزات شفت وتجميع الغبار، فتأكد أنها موصلة ومستخدمة بشكل سليم. استخدام تجهيزة شفت الغبار يمكن أن يقلل الأخطار الناتجة عن الغبار.



لا تعتقد بأنك في مأمن من الخطر ولا تتجاهل تشريعات السلامة المعنية للأدوات الكهربائية، حتى وإن كنت على دراية بالأداة الكهربائية بعد تكرار استخدامها. التعامل مع الجهاز بدون حذر قد يؤدي إلى وقوع إصابات بالغة في جزء من الثانية.

استخدام الأداة الكهربائية والتعامل معها

- لا تفرط في التعميل على الجهاز. استخدم الأداة الكهربائية المناسبة للعمل الذي تقوم به. استخدم الأداة الكهربائية المناسبة يتبع لك العمل بشكل أفضل وأكثر أماناً في نطاق العمل المقرر.
- لا تستخدم أداة كهربائية ذات مفتاح تالف. الأداة الكهربائية التي لم يعد يمكن تشغيلها أو إطفائها تمثل خطورة ويجب إصلاحها.
- استبد القابس من المقبس و/أو اخلع البطارية القابلة للخلع من الجهاز قبل إجراء عمليات الضبط، أو استبدال أجزاء الملحقات أو عند ترك الجهاز. هذا الإجراء الوقائي يمنع بدء تشغيل الأداة الكهربائية دون قصد.
- احتفظ بالأدوات الكهربائية غير المستخدمة بعيداً عن متناول الأطفال. لا تسمح باستخدام الجهاز من قبل أشخاص ليسوا على دراية به أو لم يقرأوا هذه التعليمات. الأدوات الكهربائية خطيرة في حالة استخدامها من قبل أشخاص ليست لديهم الخبرة الواجبة.
- اعتني جيداً بالأدوات الكهربائية والملحقات. افحص الأجزاء المتحركة من حيث أداؤها لوظيفتها بدون مشاكل وعدم انحصارها وافحصها من حيث وجود أجزاء مكسورة أو متعرضة للضرر يمكن أن تؤثر سلباً على وظيفة الأداة الكهربائية. اعمل على إصلاح الأجزاء التالفة قبل استخدام الجهاز. الكثير من الحوادث مصدرها الأدوات الكهربائية التي تم صيانتها بشكل رديء.
- حافظ على أدوات القطع حادة ونظيفة. تتميز أدوات القطع ذات حواف القطع المادة المعنى بها بدقة بأنها أقل عرضة للتعثُر وأسبل في التعامل.
- استخدم الأداة الكهربائية والملحقات وأدوات العمل وخلافه طبقاً لهذه التعليمات. احرص في هذه الأثناء على مراعاة اشتراطات العمل والمهمة المراد تنفيذها. استخدام الأدوات الكهربائية في تطبيقات غير تلك المقررة لها يمكن أن يؤدي لمواقف خطيرة.
- حافظ على المقابض ومواضع المسك في حالة جافة ونظيفة وخالية من الزيت والشحم. المقابض ومواضع المسك الانزلاقية تحول دون استعمال الأداة الكهربائية والتحكم بها بشكل آمن في المواقف غير المتوقعة.

استخدام الأداة العاملة بالبطارية والتعامل معها

- لا تشحن البطارية إلا في أجهزة شحن موصى بها من قبل الجبة الصانعة. بالنسبة لجهاز الشحن المناسب لنوع معين من البطاريات، ينشأ خطر الحريق عند استخدامه مع بطاريات أخرى.
- لا تضع في الأدوات الكهربائية سوى البطاريات المخصصة لها. استخدام بطاريات أخرى يمكن أن يؤدي لوقوع إصابات وخطر الحريق.
- أبعد البطارية غير المستخدمة عن مشابك الورق وقطع النقود المعدنية والمفاتيح والمسامير والبراغي أو الأشياء المعدنية الصغيرة الأخرى التي يمكن أن تتسبب في توصيل الملامسين لبعضهما. حدوث قفلة كهربائية بين أطراف توصيل البطارية يمكن أن ينتج عنه حدوث حروق أو نشوب حريق.
- عند الاستخدام بشكل خاطئ يمكن أن يتسرب سائل من البطارية. تجنب ملامسته. اشطفه بالماء في حالة ملامسته عن طريق الخطأ. إذا وصل السائل للعينين، فتوجه للطبيب علاوة على ذلك. سائل البطارية المتسرب يمكن أن يؤدي لتيجع البشرة أو حدوث حروق.
- لا تستخدم بطارية تالفة أو مختلفة. البطاريات التالفة أو المختلفة قد تتفاعل مع نفسها بشكل غير متوقع مما يؤدي لنشوب حريق أو حدوث انفجار أو وقوع إصابات.
- لا تعرض البطارية للنار أو لدرجات حرارة مرتفعة للغاية. حيث قد تؤدي النار ودرجات الحرارة الزائدة عن 130 °م (265 °ف) إلى حدوث انفجار.
- الترم بكافة التعليمات المعنية بالشحن، ولا تقم أبداً بشحن البطارية أو الأداة العاملة بالبطارية خارج نطاق درجة الحرارة الوارد ذكره في دليل التشغيل. الشحن بشكل خاطئ أو خارج نطاق درجة الحرارة المسموح به قد يتلف البطارية ويزيد من خطر الحريق.

الخدمة

- اعمل على إصلاح أدواتك الكهربائية على أيدي فنيين معتمدين فقط والاقصر على استخدام قطع الغيار الأصلية. وبذلك تتأكد من الحفاظ على سلامة الجهاز.
- لا تقم أبداً بصيانة البطاريات التالفة. يجب أن تتم جميع أعمال الصيانة بمعرفة الجبة الصانعة فقط أو من خلال مراكز خدمة العملاء المعتمدين.



2.2 إرشادات السلامة الخاصة بالمطارق

إرشادات السلامة لجميع الأعمال

- ◀ استخدم واقياً للسمع. لذا يرجى مراعاة أن الضجيج الصاخب يمكن أن يُفقد القدرة على السمع.
- ◀ استخدم المقابض الإضافية الموردة مع الجهاز. فقدان السيطرة يمكن أن يؤدي لوقوع إصابات.
- ◀ أمسك الجهاز من مواضع المسك المعزولة عند إجراء أعمال يحتمل فيها أن تتلامس أداة الشغل مع أسلاك كهربائية مخفية. حيث أن ملامسة سلك يسري فيه التيار الكهربائي يمكن أن ينقل الجهد الكهربائي للأجزاء المعدنية بالجهاز ويؤدي لحدوث صدمة كهربائية.

3.2 إرشادات السلامة الإضافية المتعلقة بالإزميل الدقاق

سلامة الأشخاص

- ◀ اقتصر على استخدام المنتج والملحقات وهم في حالة سليمة من الناحية الفنية.
- ◀ لا تقم أبداً بأية تدخلات أو تغييرات على المنتج أو الملحقات.
- ◀ يجب مراعاة الوقوف بشكل ثابت وآمن عند النقر بالإزميل في الأسقف والجردان والأرضيات. الاختراق المفاجئ يمكن أن يتسبب في إخلال توازنك!
- ◀ أثناء أعمال الثقب قم بتأمين النطاق الواقع على الجهة المقابلة للعمل. الشظايا المتناثرة يمكن أن تتطاير و/أو تسقط وتصيب الآخرين.
- ◀ احرص أنت والأشخاص المتواجدون في الجوار أثناء الاستخدام على ارتداء نظارة واقية ملائمة، خوذة حماية، واق للسمع وكمامة خفيفة للتنفس.
- ◀ قم بارتداء قفازا واقيا أثناء تغيير الأدوات. ملامسة أداة الشغل قد تؤدي لوقوع إصابات بجروح قطعية وإصابة بحروق.
- ◀ استخدم واقياً للعينين. الشظايا المتطايرة يمكن أن تصيب الجسم والعيون.
- ◀ يمكن أن يحتوي الغبار الناتج عن التجليخ والسفرة والقطع والثقب على مواد كيميائية خطيرة. بعض الأمثلة: الرصاص أو الدهانات التي تحتوي على الرصاص، القرميد والخرسانة ومنتجات البناء الأخرى وأحجار البناء الطبيعية والمنتجات الأخرى المحتوية على السيليكات، بعض الأخشاب مثل البلوط والزنان والأخشاب المعالجة كيميائياً، الأسبستوس أو الخامات المحتوية على الأسبستوس. قم بتحديد مدى تعرض المستخدم والأشخاص المحيطين لفترة خطر الخامات التي يجري العمل عليها. اتخذ التدابير اللازمة للحفاظ على مدى التعرض في مستوى آمن، على سبيل المثال، استخدام نظام تجميع الغبار أو ارتداء كمامة مناسبة للتنفس. تشمل التدابير العامة للحد من مدى التعرض ما يلي:
- ◀ العمل في نطاق جيد التهوية،
- ◀ تجنب ملامسة الغبار لفترة طويلة،
- ◀ إزالة الغبار عن الوجه والجسم،
- ◀ ارتداء بزة واقية وغسل المناطق المكشوفة بالماء والصابون.
- ◀ خذ قسطاً من الراحة بشكل متكرر وقم بتمارين استرخاء لسريان الدم في الأصابع بشكل أفضل. عند القيام بأعمال لفترات طويلة، فقد تحدث اضطرابات في الأوعية الدموية أو الجهاز العصبي بسبب كثرة الاهتزازات على الأصابع أو الأيدي أو معصم اليد.

السلامة الكهربائية

- ◀ قبل بدء الأعمال افحص نطاق العمل من حيث وجود توصيلات كهربائية مدفونة أو مواسير للغاز والماء. الأجزاء المعدنية الخارجية بالمنتج يمكن أن تتسبب في صدمة كهربائية أو انفجار، إذا قمت بإتلاف إحدى توصيلات التيار أو ماسورة الغاز أو الماء.

الاستخدام والتعامل بعناية مع الأدوات الكهربائية

- ◀ انتظر حتى يتوقف المنتج قبل تخزينه.

4.2 التعامل بعناية مع الأجهزة العاملة بالبطاريات واستخدامها

- ◀ تراعى التعليمات الخاصة لنقل وتخزين وتشغيل بطاريات أيونات الليثيوم.
- ◀ أبعد البطاريات عن النار ودرجات الحرارة المرتفعة وأشعة الشمس المباشرة.
- ◀ لا يجوز تفكيك البطاريات أو سحقها أو وضعها في درجة حرارة أعلى من 80°م (176°ف) أو حرقها.
- ◀ لا تستخدم أو تشحن البطاريات التي تعرضت لصدمة، أو سقطت من ارتفاع يزيد على متر أو تعرضت لأية أضرار أخرى. في هذه الحالة، تواصل دائماً مع خدمة Hilti.
- ◀ في حالة السخونة الشديدة للبطارية بحيث يتعذر الإمساك بها، فقد تكون تالفة. احرص على وضع البطارية في مكان مرئي وغير قابل للاشتعال مع وجود مسافة كافية من الخامات القابلة للاشتعال. اترك البطارية

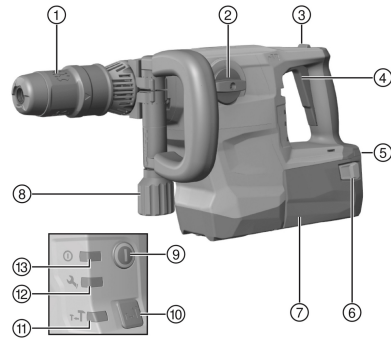


تبرد. إذا ظلت البطارية ساخنة بعد مرور ساعة لدرجة تعذر لمسها، فهذا يعني أنها تالفة. اتصل بمركز خدمة Hilti.

3 الشرح

1.3 نظرة عامة على المنتج 1

- ① طرف تركيب الأدوات
- ② مفتاح اختيار الوظيفة
- ③ زر ثبات للتشغيل المستمر (فقط النقر بالإزميل)
- ④ مفتاح التحكم
- ⑤ بيان حالة الشحن وبيان الأخطاء (بطارية أيونات الليثيوم)
- ⑥ أزرار تمرير ذات وظيفة إضافية لتفعيل بيان حالة الشحن
- ⑦ البطارية
- ⑧ المقبض الجانبي
- ⑨ مفتاح التشغيل/الإيقاف
- ⑩ زر اختيار نصف القدرة
- ⑪ مبدن نصف القدرة
- ⑫ مبدن الخدمة
- ⑬ مبدن التشغيل/الإيقاف



2.3 الاستخدام المطابق للتعليمات

المنتج المشروح عبارة عن إزميل دقاق مشغل بالبطارية ومزود بطارق نيوماتيكي. يُسمح باستخدام المنتج في الأعمال الخفيفة حتى المتوسطة التي يتم فيها استخدام الإزميل للنقر في الجدران والأعمال اللاحقة التي تتم على الخرسانة.

- اقتصر على استخدام بطاريات أيونات الليثيوم Hilti من النوع B 36 مع هذا المنتج.
- اقتصر على استخدام شواحن Hilti من الفئة C4/36 لهذه البطاريات.

1.2.3 الاستخدام الخاطئ المحتمل

- هذا المنتج غير مخصص للعمل مع الفامات الضارة بالصحة.
- هذا المنتج غير مناسب للعمل في البيئات الرطبة.

3.3 Active Vibration Reduction

المنتج مجهو بنظام Active Vibration Reduction (AVR) والذي يقوم بخفض الاهتزازات بشكل ملحوظ.

4.3 مبدن الخدمة

المنتج مزود بمبدن خدمة به إشارة ضوئية.

1.4.3 MMI


الحالة	الاستعمال
مبدن الخدمة يضيء.	هذا يعني أنه حان موعد إجراء الخدمة.
مبدن الخدمة يومض.	قم بإصلاح الجهاز لدى مركز خدمة Hilti.
مبدن التشغيل/الإيقاف يضيء.	المنتج مشغل
مبدن التشغيل/الإيقاف يومض.	المنتج متوقف بسبب خطأ مؤقت.
مبدن التشغيل/الإيقاف مُطفأ.	المنتج متوقف.
مبدن نصف القدرة يضيء.	المنتج يعمل بنصف قدرته.
مبدن نصف القدرة متوقف.	المنتج يعمل بكامل قدرته.



2.4.3 بيان حالة بطارية أيونات الليثيوم

يتم الإشارة إلى حالة شحن بطارية أيونات الليثيوم واختلالات الجهاز عن طريق مبین بطارية أيونات الليثيوم. يتم عرض حالة شحن بطارية أيونات الليثيوم بعد النقر على أحد زري تحرير البطارية.

الحالة	الاستعمال
4 لمبات LED تضيء.	حالة الشحن: 75 % إلى 100 %
3 لمبات LED تضيء.	حالة الشحن: 50 % إلى 75 %
لمبتا LED تضيئان.	حالة الشحن: 25 % إلى 50 %
لمبة LED واحدة تضيء.	حالة الشحن: 10 % إلى 25 %
لمبة LED واحدة تومض.	حالة الشحن: > 10 %
تومض لمبة LED واحدة، المنتج غير جاهز للتشغيل.	البطارية شديدة السخونة أو شتمتها فرغت تماما.
تومض أربع لمبات LED، المنتج غير جاهز للتشغيل.	يوجد تحميل زائد على الجهاز أو الجهاز شديد السخونة.

لا يمكن الاستعلام عن حالة شحن البطارية عند الضغط على مفتاح التحكم أو مرور 5 ثوان من ترك مفتاح التحكم.  في حالة وميض لمبات LED الخاصة بمبین البطارية، يرجى مراعاة الإرشادات الواردة في فصل المساعدة في حالات الاختلالات.

5.3 مجموعة التجهيزات الموردة

الإزميل الدقاق، المقبض الجانبي، دليل الاستعمال. تجد المزيد من منتجات النظام المسموع بها للمنتج الخاص بك لدى متجر **Hilti Store** أو على موقع الإنترنت: www.hilti.group

4 المواصفات الفنية

TE 500-A36	
36 فلت	الجهد الكهربائي الاسمي
7.9 كجم	الوزن طبقا لبروتوكول EPTA 01
7.8 جول	طاقة الطرق الفردي طبقا لبروتوكول EPTA 05
TE-Y	ظرف تركيب الأدوات
20° م ... 70° م	درجة حرارة التخزين
17° م ... 60° م	درجة الحرارة المحيطة أثناء التشغيل

1.4 قيم الضوضاء والاهتزاز طبقا للمواصفة EN 62841

تم قياس ضغط الصوت وقيم الاهتزاز الواردة في هذا الدليل طبقا لأحد معايير القياس المحددة ويمكن الاستعانة بها في إجراء مقارنة بين الأدوات الكهربائية مع بعضها البعض. وهي مناسبة أيضا لتقدير حجم المخاطر بصورة أولية. المواصفات الواردة تتعلق بالاستخدامات الأساسية للأداة الكهربائية. أما إذا تم استخدام الأداة الكهربائية في تطبيقات أخرى مع أدوات شغل مخالفة للمواصفات أو دون صيانة كافية، ففي هذه الحالة قد تختلف المواصفات. وقد يزيد هذا من نسبة المخاطر طوال مدة العمل بصورة واضحة. وللحصول على تقدير دقيق لحجم المخاطر ينبغي أيضا مراعاة الأوقات التي يتم فيها إيقاف الجهاز أو التي يتم فيها تشغيل الجهاز ولكن دون استخدام حقيقي. وقد يقلل هذا من نسبة المخاطر طوال مدة العمل بصورة واضحة. احرص على اتخاذ إجراءات إضافية للسلامة من شأنها حماية المستخدم من تأثير الضجيج و/أو الاهتزازات مثل: صيانة الأداة الكهربائية وأدوات الشغل والحفاظ على الأيدي في حالة دافئة وتنظيم مراحل العمل.

قيم انبعاث الضوضاء طبقا للمواصفة EN 62841

TE 500-A36	
91 ديسيبل	مستوى ضغط الصوت (LpA)
3 ديسيبل	نسبة التفاوت لمستوى ضغط الصوت (KpA)



TE 500-A36	
102 ديسيبل	مستوى شدة الصوت (LWA)
3 ديسيبل	نسبة التفاوت لمستوى شدة الصوت (KWA)

القيم الكلية للاهتزازات طبقا للمواصفة EN 62841

TE 500-A36		
7.9 م/ثانية ²	B 36/5.2	النقر بالإزميل في الخرسانة ($a_{h, Cheq}$)
7.4 م/ثانية ²	B 36/9.0	
1.5 م/ثانية ²		نسبة التفاوت (K)

5 البطارية

36 فلت	جهد تشغيل البطارية
17- ... م° 60	درجة الحرارة المحيطة أثناء التشغيل
20- ... م° 40	درجة حرارة التخزين
10- ... م° 45	درجة حرارة البطارية عند بدء الشحن

6 الاستعمال

1.6 التحضير للعمل

احرص على إيقاف المنتج أو اخلع البطارية قبل إجراء عمليات ضبط الجهاز أو تغيير أجزاء الملحقات.



تراجع إرشادات الأمان والإرشادات التحذيرية الواردة في هذا المستند وعلى الجهاز.

1.1.6 تركيب البطارية



خطر الإصابة من خلال قفلة كهربائية أو سقوط البطارية!

- تأكد قبل تركيب البطاريات في الجهاز من عدم وجود أجسام غريبة بين أطراف توصيل البطارية والجهاز.
- تأكد من تثبيت البطارية بشكل صحيح دائما.

- اشمن البطارية لآخرها تماما قبل التشغيل لأول مرة.
- قم بتحريك البطارية في المنتج إلى أن تستقر في موضعها بصوت مسموع.
- تفحص البطارية من حيث ثباتها في موضعها بشكل جيد.

2.1.6 خلع البطارية

- اضغط على أزرار تحرير البطارية.
- اخلع البطارية من الجهاز.

3.1.6 شمن البطارية

- قبل الشمن، قم بقراءة دليل استعمال جهاز الشمن.
- احرص على أن تكون أطراف تلامس البطارية وجهاز الشمن نظيفة وجافة.
- قم بشمن البطارية باستخدام شاحن مصرع به. ← صفحة 111

4.1.6 تركيب المقبض الجانبي 2



خطر الإصابة فقدان السيطرة على الإزميل الدقاق.
تأكد أن المقبض الجانبي مركب ومثبت بشكل سليم.

- أوقف الجهاز.
- أدر المقبض لفك وسيلة تثبيت (شريط الشد) المقبض الجانبي.
- أدخل وسيلة التثبيت (شريط الشد) من الأمام عبر طرف تركيب الأدوات وصولاً إلى الحز المخصص لذلك.



4. اضبط المقبض الجانبي في الوضع المرغوب.
5. أدر المقبض لشد وسيلة تثبيت (شريط الشد) المقبض الجانبي.

5.1.6 ضبط القدرة

بعد إدخال البطارية، يكون المنتج دائماً مضبوطاً على القدرة الكاملة.

1. اضغط على "زر نصف القدرة". يتم ضبط المنتج على نصف القدرة.
 - ◀ فيضيء "مبين نصف القدرة".
2. اضغط على "زر نصف القدرة" من جديد. يتم ضبط المنتج على القدرة الكاملة.
 - ◀ ينطفئ "مبين نصف القدرة".

6.1.6 تركيب / فك الأداة

خطر

خطر الحريق خطر اتلامس بين أداة الشغل الساخنة والمواد سهلة الاشتعال.
 ▶ لا تضع الأداة وهي ساخنة على مواد سهلة الاشتعال.

تحذير

خطر الإصابة من الممكن أن تسخن الأداة نتيجة الاستخدام.
 ▶ ارتد قفازاً واقياً أثناء تغيير الأدوات.

قد يؤدي استخدام شحم غير مناسب إلى تعرض المنتج للضرر. **اقتصر على استخدام الشحم الأصلي من Hilti.**

1. قم بتزليق طرف إدخال أداة الشغل قليلاً.
 - ◀ اقتصر على استخدام الشحم الأصلي من Hilti. استخدام شحم خاطئ قد يتسبب في إلحاق أضرار بالمنتج.
2. اضبط مفتاح اختيار الوظيفة على وضع "النقر بالإزميل" **T**.
3. أدخل أداة الشغل في طرف تركيب الأدوات حتى النهاية واطركها تثبت في موضعها.
4. بعد التركيب اختبر مدى إحكام القفل من خلال شد الأداة.
 - ◀ المنتج جاهز للتشغيل.
5. قم بإرجاع وسيلة تأمين الأداة حتى النهاية وأخرج أداة الشغل.

2.6 العمل

احترس:

خطر الإصابة! فقدان السيطرة على الإزميل الدقاق.
 ▶ تأكد أن المقبض الجانبي مركب ومثبت بشكل سليم.

تراجع إرشادات الأمان والإرشادات التحذيرية الواردة في هذا المستند وعلى الجهاز.

3.6 تحديد موضع الإزميل

احترس:

خطر الإصابة! فقدان السيطرة على اتجاه الإزميل.
 ▶ لا تعمل في وضع «تحديد موضع الإزميل». اضبط مفتاح اختيار الوظيفة على وضع "النقر بالإزميل"، إلى أن يستقر في موضعه.

يمكن ضبط الإزميل على 24 وضعاً مختلفاً (في خطوات مقدار كل منها 15°). وبذلك يمكن دائماً العمل بالإزميل المفلطح وإزميل التشكيل في وضع العمل المثالي المناسب.

1. أوقف الجهاز.



2. اضبط مفتاح اختيار الوظيفة على وضع "تحديد موضع الإزميل" \rightarrow .
 3. أدر الإزميل إلى الوضع المرغوب.
 4. اضبط مفتاح اختيار الوظيفة على هذا الرمز: **T**، إلى أن يستقر في موضعه.
- ◀ المنتج جاهز للتشغيل.

1.3.6 النقر بالإزميل

- ◀ اضبط مفتاح اختيار الوظيفة على وضع "النقر بالإزميل" **T**.

أمسك الجهاز دائماً بكلتا يديك. حافظ على المنتج نظيفاً وخالياً من الزيت والشحم.



لا تضع المنتج الساخن بعد انتهاء العمل على مواد قابلة للاشتعال. حيث يمكن أن تتعرض هذه المواد للاشتعال.



2.3.6 تشغيل / إيقاف وضع التشغيل المستمر

يمكن في وضع تشغيل الإزميل تثبيت حركة مفتاح التحكم أثناء التشغيل.



1. قم بتحريك زر ثبات التشغيل المستمر إلى الأمام.
2. اضغط مفتاح التحكم تماماً.
- ◀ يعمل المنتج الآن في وضع التشغيل المستمر.
3. قم بتحريك زر ثبات التشغيل المستمر إلى الخلف.
- ◀ يتوقف المنتج.

7 العناية والصيانة



خطر الإصابة عند تكون البطارية مركبة !

◀ احرص على خلع البطارية دائماً قبل جميع أعمال الإصلاح والعناية!

العناية بالمنتج

- احرص على إزالة الاتساخات شديدة الالتصاق مع توخي الحرص.
- في حالة وجودها، قم بتنظيف فتحات التهوية بحرص باستخدام فرشاة جافة وناعمة.
- قم بتنظيف جسم المنتج باستخدام قطعة قماش مُبللة بعض الشيء. لا تستخدم مواد عناية محتوية على سيليكون، نظراً لأنها قد تؤدي إلى تلف الأجزاء البلاستيكية.
- استخدم قطعة قماش نظيفة وجافة لتنظيف ملامسات المنتج.

العناية ببطاريات أيونات الليثيوم

- لا تقم مطلقاً باستخدام بطارية ذات فتحات تهوية مسدودة. قم بتنظيف فتحات التهوية بحرص باستخدام فرشاة جافة وناعمة.
- تجنب تعريض البطارية للغبار أو الاتساخات دون داع. لا تقم مطلقاً بتعريض البطارية للرطوبة المرتفعة (على سبيل المثال، غمرها في الماء أو تركها تحت الأمطار).
- في حالة بلل البطارية، تعامل معها كبطارية تالفة. اعزل البطارية في وعاء غير قابل للاشتعال وتوجه إلى مركز خدمة Hilti.
- حافظ على البطارية خالية من الزيت والشحم الخارجي. لا تسمح للغبار أو الاتساخات بالتراكم دون داع على البطارية. قم بتنظيف البطارية باستخدام فرشاة جافة وناعمة أو قطعة قماش نظيفة وجافة. لا تستخدم مواد عناية محتوية على سيليكون، نظراً لأنها قد تؤدي إلى تلف الأجزاء البلاستيكية.
- لا تلمس ملامسات البطارية ولا تقم بإزالة الشحم الموجود من قبل المصنع عن الملامسات.
- قم بتنظيف جسم المنتج باستخدام قطعة قماش مُبللة بعض الشيء. لا تستخدم مواد عناية محتوية على سيليكون، نظراً لأنها قد تؤدي إلى تلف الأجزاء البلاستيكية.

الصيانة

- احرص بصورة منتظمة على فحص الأجزاء المرئية من حيث وجود أضرار وافحص عناصر الاستعمال من حيث كفاءتها الوظيفية.



- لا تتم بتشغيل الجهاز في حالة وجود أضرار و/أو اختلالات وظيفية. احرص على إصلاح الجهاز على وجه السرعة لدى خدمة Hilti.
- بعد أعمال العناية والإصلاح قم بتركيب جميع تجهيزات الحماية وافحصها من حيث الأداء الوظيفي السليم.

للتنشغيل الآمن اقتصِر على استخدام قطع الغيار الأصلية وخامات الشغل. تجد قطع الغيار وخامات الشغل والملحقات المصراع بها من Hilti للمنتج الخاص بك في متجر Hilti Store أو على موقع الإنترنت: www.hilti.group

8 نقل وتخزين أدوات الشغل العاملة ببطارية والبطاريات

النقل

⚠️ احترس:

التشغيل غير مقصود عند النقل!

- ◀ قم بنقل المنتج دائماً بدون البطاريات!
- ◀ اخلع البطارية/البطاريات.
- ◀ لا تتم بنقل البطاريات بكميات كبيرة. ينبغي أثناء النقل حماية البطاريات من الاصطدام العنيف والاهتزازات، وكذلك عزلها عن أية مواد موصلة للكهرباء أو أية بطاريات أخرى، وذلك حتى لا تتلامس مع أقطاب بطاريات أخرى ومن ثم حدوث قفلة كهربائية. احرص على مراعاة تعليمات النقل المحلية للبطاريات.
- ◀ لا يجوز إرسال البطاريات عن طريق البريد. توجه إلى شركة شحن، إذا كنت ترغب في إرسال بطاريات غير تالفة.
- ◀ افحص المنتج والبطاريات من حيث وجود أضرار قبل كل استخدام وقبل وبعد النقل لمسافة طويلة.

التخزين

⚠️ تحذير

أضرار غير مقصودة بسبب البطاريات التالفة أو التي بها تسريب!

- ◀ قم بتخزين المنتج دائماً بدون البطاريات!
- ◀ احرص على تخزين المنتج والبطاريات في مكان بارد وجاف. احرص على مراعاة القيم الحدية لدرجات الحرارة الواردة في المواصفات الفنية.
- ◀ لا تحتفظ بالبطاريات على جهاز الشحن. قم دائماً بإزالة البطارية من الشاحن بعد انتهاء عملية الشحن.
- ◀ لا تتم أبداً بتخزين البطاريات تحت أشعة الشمس أو في مصادر الحرارة أو خلف الزجاج.
- ◀ احرص على تخزين المنتج والبطاريات والاحتفاظ به بعيداً عن متناول الأطفال والأشخاص غير المصرح لهم.
- ◀ افحص المنتج والبطاريات من حيث وجود أضرار قبل كل استخدام وقبل وبعد التخزين لفترة طويلة.

9 المساعدة في حالات الاختلالات

عند حدوث اختلالات غير مذكورة في الجدول أو يتعذر عليك معالجتها بنفسك، فيرجى التوجه إلى مركز خدمة Hilti.

1.9 تقصي الأخطاء

الخلل	السبب المحتمل	الحل
لا يتولد طرق.	المنتج بارد للغاية.	◀ قم بوضع المنتج على الأرض وأتركه يدور على الوضع المحايد. عند اللزوم كرر هذه العملية حتى يعمل الطارق.
شحنة البطارية تفرغ بشكل أسرع من المعتاد.	حالة البطارية ليست مثالية.	◀ قم بتغيير البطارية.
البطارية لا تثبت بصوت "طققة مزدوجة" مسموع.	أطراف تثبيت البطارية متسخة.	◀ قم بتنظيف أطراف التثبيت ثم قم بتركيب البطارية مجدداً.
يتوقف المنتج أوتوماتيكياً.	خاصية الحماية من التحميل الزائد فعالة.	◀ مابين التشغيل/الإيقاف يومض. ◀ اترك مفتاح التحكم. اترك المنتج ليبرد. اضغط مجدداً على مفتاح التحكم. قم بتخفيف الحمل عن الجهاز.



الخلل	السبب المحتمل	الحل
تنشأ سخونة شديدة في المنتج أو في البطارية.	عطل كهربائي.	أوقف المنتج على الفور. قم بإخراج البطارية وافحصها جيداً. واتركها تبرد. اتصل بخدمة Hilti.
لا تشير لمبات LED بالبطارية لشيء.	هناك تحميل زائد على المنتج (تم تجاوز حد الاستخدام).	اختر منتجاً مناسباً لمجال الاستخدام.
فراغ شحن البطارية.	لم يتم إدخال البطارية حتى النهاية.	قم بتثبيت البطارية حتى سماع صوت طقطقة مزدوجة.
فراغ شحن البطارية.	فراغ شحن البطارية.	قم بتغيير البطارية واشحن البطارية الفارغة.
البطارية ساخنة للغاية أو باردة للغاية.	البطارية ساخنة للغاية أو باردة للغاية.	اعمل على توفير درجة حرارة العمل الموصى بها للبطارية.
فراغ شحن البطارية.	فراغ شحن البطارية.	قم بتغيير البطارية واشحن البطارية الفارغة.
البطارية ساخنة للغاية أو باردة للغاية.	البطارية ساخنة للغاية أو باردة للغاية.	اعمل على توفير درجة حرارة العمل الموصى بها للبطارية.
تومض لمبة LED واحدة بالبطارية.	هناك تحميل زائد على المنتج لفترة قصيرة.	أترك مفتاح التحكم واضغط عليه مجدداً.
تومض 4 لمبات LED بالبطارية.	الحماية من السخونة المفرطة.	أترك المنتج يبرد وقم بتنظيف فتحات التهوية.
المنتج لا يعمل بكامل قدرته.	مفتاح التحكم ليس مضغوطاً تماماً.	اضغط مفتاح التحكم حتى النهاية.
زر نصف القدرة مضغوط.	زر نصف القدرة مضغوط.	اضغط على زر «نصف القدرة».
الأداة لا تتحرر من وضع إحكام التثبيت.	لم يتم إرجاع ظرف تركيب الأدوات حتى النهاية.	قم بإرجاع وسيلة إحكام قفل الأداة حتى النهاية وأخرج الأداة.
المقبض الجانبي مركب بشكل غير صحيح.	المقبض الجانبي مركب بشكل غير صحيح.	قم بفك المقبض الجانبي وتركيبه بشكل صحيح بحيث يكون شريط الشد والمقبض الجانبي مثبتين في التجويف.
المنتج لا يبدأ في العمل.	تم تفعيل مانع بدء التشغيل الإلكتروني بعد فترة انقطاع التيار الكهربائي.	قم بإيقاف المنتج ثم أعد تشغيله.
مبين الخدمة يضيء.	تم بلوغ موعد الخدمة.	قم بإصلاح المنتج لدى مركز خدمة Hilti.
مبين الخدمة يومض.	أضرار بالمنتج.	قم بإصلاح المنتج لدى مركز خدمة Hilti.
مبين التشغيل/الإيقاف يومض.	هناك تحميل زائد على المنتج لفترة قصيرة.	أترك مفتاح التحكم واضغط عليه مجدداً.
مبين التشغيل/الإيقاف يومض.	الحماية من السخونة المفرطة.	أترك المنتج يبرد وقم بتنظيف فتحات التهوية.

10 التكبير

أجهزة Hilti مصنوعة بنسبة كبيرة من مواد قابلة لإعادة التدوير. يشترط لإعادة التدوير أن يتم فصل الخامات بشكل سليم فينبأ في العديد من الدول تقوم شركة Hilti باستغلال الأجهزة القديمة لإعادة تدويرها. وللمعلومات حول ذلك اتصل بخدمة عملاء Hilti أو الموزع القريب منك.

لا تعلق الأدوات الكهربائية، الأجهزة الإلكترونية والبطاريات ضمن القمامة المنزلية!

11 مواصفة RoHS (مواصفة تقييد استخدام المواد الخطيرة)

تجد جدولاً بالمواد الخطرة تمت الرابط التالي: qr.hilti.com/r10130182.
تجد رابط خاص بجدول المواد التي تخص المواصفة RoHS في نهاية هذا المستند على هيئة كود QR.



◀ في حالة وجود أية استفسارات بخصوص شروط الضمان، يرجى التوجه إلى وكيل Hilti المحلي التابع لك.



オリジナル取扱説明書

1 取扱説明書について

1.1 本取扱説明書について

- ご使用前にこの取扱説明書をすべてお読みください。このことは、安全な作業と問題のない取扱いのための前提条件となります。
- 本取扱説明書および製品に記載されている安全上の注意と警告表示に注意してください。
- 取扱説明書は常に製品とともに保管し、他の人が使用する場合には、製品と取扱説明書を一緒にお渡しください。

1.2 記号の説明

1.2.1 警告表示

警告表示は製品の取扱いにおける危険について警告するものです。以下の注意喚起語が使用されています：



危険

危険！

- ▶ この表記は、重傷あるいは死亡事故につながる危険性がある場合に注意を促すために使われます。



警告

警告！

- ▶ この表記は、重傷あるいは死亡事故につながる可能性がある場合に注意を促すために使われます。








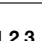
注意

注意！

- ▶ この表記は、身体の負傷あるいは物財の損傷が発生する可能性がある場合に使われます。


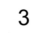


1.2.2 取扱説明書の記号

この取扱説明書では、以下の記号が使用されています：

	取扱説明書に注意してください
	本製品を効率良く取り扱うための注意事項や役に立つ情報
	リサイクル可能な部品の取扱い
	電動工具およびバッテリーを一般ゴミとして廃棄してはなりません
	Hilti Li-Ion バッテリー
	Hilti 充電器

1.2.3 図中の記号

図中では以下の記号が使用されています：

	この数字は本取扱説明書冒頭にある該当図を示しています。
	図中の付番は、重要な作業手順あるいは作業手順にとって重要なパーツであることを示しています。本文中ではこれらの作業手順またはパーツは、(3) のように当該の番号でハイライト表示されています。
	概要図には項目番号が付されていて、製品概要セクションの凡例の番号に対応しています。
	この記号は、製品の取扱いの際に特に注意が必要なことを示しています。



1.3 製品により異なる記号

1.3.1 製品に表示されている記号

製品には以下の記号が使用されている場合があります：

	ハツリ作業
	チゼル角度調整
	サービスインジケータ
	直径
n_0	無負荷回転数
/min	毎分回転数
	直流
	本製品は、iOS および Android プラットフォームと互換性のある無線データ転送をサポートしています。
Li-Ion	Li-Ionen バッテリー
	使用されているHilti Li-Ion バッテリーのモデルシリーズ。正しい使用の章の記載に注意してください。
	バッテリーは決して打撃工具として使用しないでください。
	バッテリーは落下させないでください。ぶつかけたり、あるいはその他の理由で損傷しているバッテリーは使用しないでください。

1.4 スイッチのオン / オフ

記号

	製品がオンにされている
	製品がオフにされている

1.5 製品情報

製品はプロ仕様で製作されており、その使用、保守、修理を行うのは、認定を受けトレーニングされた人のみに限ります。これらの人は、遭遇し得る危険に関する情報を入力していなければなりません。製品およびアクセサリの使用法を知らない者による誤使用、あるいは規定外の使用は危険です。

機種名および製造番号は銘板に表示されています。

- ▶ 製造番号を以下の表に書き写しておいてください。ヒルティ代理店やサービスセンターへお問い合わせの際には、製品データが必要になります。

製品データ

電動ハツリ機	TE 500-A36
製品世代	04
製造番号：	

1.6 適合宣言

当社は、単独の責任において本書で説明している製品が有効な基準と標準規格に適合していることを宣言します。適合宣言書の複写は本書の末尾にあります。

技術資料は本書の後続の頁に記載されています：

Hilti Entwicklungsgesellschaft mbH | Zulassung Geräte | Hiltistraße 6 | 86916 Kaufering, DE



2 安全

2.1 電動工具の一般安全注意事項

⚠ 警告事項 本電動工具に付属のすべての安全上の注意、指示事項、図、および製品仕様をお読みください。以下の指示を守らないと、感電、火災および / または重傷事故の危険があります。

安全上の注意および指示事項が書かれた説明書はすべて大切に保管してください。

安全上の注意で使用する用語「電動工具」とは、お手持ちの電動ツール(電源コード使用) またはバッテリーツール(コードレス)を指します。

作業環境に関する安全

- ▶ 作業場はきれいに保ち、十分に明るくしてください。ちらかった暗い場所での作業は事故の原因となります。
- ▶ 爆発の危険性のある環境(可燃性液体、ガスおよび粉じんのある場所)では電動工具を使用しないでください。電動工具から火花が飛散し、粉じんや揮発性ガスに引火する恐れがあります。
- ▶ 電動工具の使用で、子供や無関係者を作業場へ近づけないでください。作業中に気がそらされると、本体のコントロールを失ってしまう恐れがあります。

電気に関する安全注意事項

- ▶ 電動工具の接続プラグは電源コンセントにきちんと適合しなければなりません。プラグは絶対に変更しないでください。保護接地した電動工具と一緒にアダプタープラグを使用しないでください。オリジナルのプラグと適切なコンセントを使用することにより、感電の危険を小さくすることができます。
- ▶ パイプ、ラジエーター、電子レンジ、冷蔵庫などのアースされた面に体の一部が触れないようにしてください。体が触れると感電の危険が大きくなります。
- ▶ 電動工具を雨や湿気から保護してください。電動工具に水が浸入すると、感電の危険が大きくなります。
- ▶ 電動工具を持ち運んだり、吊り下げたり、コンセントからプラグを抜いたりするときは、必ず本体を持ち、電源コードを持ったり引っ張ったりしないでください。電源コードを火気、オイル、鋭利な刃物、可動部等に触れる場所に置かないでください。電源コードが損傷したり絡まったりしていると、感電の危険が大きくなります。
- ▶ 屋外工事の場合には、必ず屋外専用の延長コードを使用してください。屋外専用の延長コードを使用すると、感電の危険が小さくなります。
- ▶ 湿った場所で電動工具を作動させる必要がある場合は、漏電遮断器を使用してください。漏電遮断器を使用すると、感電の危険が小さくなります。

作業員に関する安全

- ▶ 電動工具を使用の際には、油断せずに十分注意し、常識をもった作業をおこなってください。疲れている場合、薬物、医薬品服用およびアルコール飲用による影響下にある場合には電動工具を使用しないでください。電動工具使用中の瞬間の不注意が重傷の原因となることがあります。
- ▶ 個人用保護具および保護メガネを常に着用してください。負傷の危険を低減するために、電動工具の使用状況に応じた粉じんマスク、耐滑性の安全靴、ヘルメット、耳栓などの個人用保護具を着用してください。
- ▶ 電動工具の意図しない始動を防止して下さい。電動工具を電源および / またはバッテリーに接続する前や本体を持ち上げたり運んだりする前に、本体がオフになっていることを必ず確認してください。オン / オフスイッチが入っている状態で電動工具のスイッチに指を掛けたまま運んだり、電源に接続したりすると、事故の原因となる恐れがあります。
- ▶ 電動工具のスイッチを入れる前に、必ず調節キーやレンチを取り外してください。調節キーやレンチが本体の回転部に装着されたままでは、けがの原因となる恐れがあります。
- ▶ 作業中は不安定な姿勢をとらないでください。足元を安定させ、常にバランスを保つようにしてください。これにより、万一電動工具が異常状況に陥った場合にも、適切な対応が可能となります。
- ▶ 作業に適した作業着を着用してください。だぶだぶの衣服や装身具を着用しないでください。髪、衣服、手袋を本体の可動部に近づけないでください。だぶだぶの衣服、装身具、長い髪が可動部に巻き込まれる恐れがあります。
- ▶ 吸じんシステムの接続が可能な場合には、これらのシステムが適切に接続、使用されていることを確認してください。吸じんシステムを利用することにより、粉じん公害を防げます。
- ▶ 電動工具の取扱いに熟練している場合にも、正しい安全対策を遵守し、電動工具に関する安全規則を無視しないでください。不注意な取扱いは、ほんの一瞬で重傷事故を招くことがあります。

電動工具の使用および取扱い

- ▶ 無理のある使用を避けてください。作業用途に適した電動工具を使用してください。適切な電動工具の使用により、効率よく、スムーズかつ安全な作業が行えます。
- ▶ スイッチが故障している場合には、電動工具を使用しないでください。スイッチで始動および停止操作のできない電動工具は危険ですので、修理が必要です。



- ▶ 本体の設定やアクセサリーの交換を行う前や本体を保管する前には電源プラグをコンセントから抜き、および / または脱着式のバッテリーを取り外してください。この安全処置により、電動工具の意図しない始動を防止することができます。
- ▶ 電動工具をご使用にならない場合には、子供の手の届かない場所に保管してください。電動工具に関する知識のない方、本説明書をお読みでない方による本体のご使用は避けてください。未経験者による電動工具の使用は危険です。
- ▶ 電動工具とアクセサリーは慎重に手入れしてください。可動部分が引っ掛かりなく正常に作動しているか、電動工具の運転に影響を及ぼす各部分が破損・損傷していないかを確認してください。電動工具をご使用になる前に、損傷部分の修理を依頼してください。事故の多くは保守管理の不十分な電動工具の使用が原因となっています。
- ▶ 先端工具は鋭利で汚れない状態を保ってください。お手入れのゆきとどいた先端工具を使用すると、作業が簡単かつ、スムーズになります。
- ▶ 電動工具、アクセサリー、先端工具などは、それらの説明書に記載されている指示に従って使用してください。その際は、作業環境および用途についてもご注意ください。指定された用途以外に電動工具を使用すると危険な状況をまねく恐れがあります。
- ▶ グリップとグリップ面は乾燥した清潔な状態に保ち、オイルやグリスの付着がないようにしてください。グリップやグリップ面が滑りやすい状態になっていると、予期していない状況が発生した際に電動工具を安全に使用 / 制御できません。

バッテリー工具の使用および取扱い

- ▶ バッテリーを充電する場合は、必ずメーカー推奨の充電器を使用してください。特定タイプのバッテリー専用の充電器を他のバッテリーに使用すると、火災の恐れがあります。
- ▶ 電動工具には、必ず指定されたバッテリーを使用してください。指定以外のバッテリーを使用すると、負傷や火災の恐れがあります。
- ▶ 使用されていないバッテリーの近くに、事務用クリップ、硬貨、キー、釘、ネジ、その他の小さな金属物を置かないでください。電気接点の短絡が起こることがあります。バッテリーの電気接点間が短絡すると、火傷や火災が発生する危険があります。
- ▶ 正しく使用しないと、液漏れが発生することがあります。その場合、漏れた液には触れないでください。もしも触れてしまった場合は、水で洗い流してください。バッテリー液が眼に入った場合は、水で洗い流してから医師の診察を受けてください。流出したバッテリー液により、皮膚が刺激を受けたり火傷を負う恐れがあります。
- ▶ 損傷したあるいは変更が加えられたバッテリーは使用しないでください。損傷したあるいは変更が加えられたバッテリーは、予測不可能な挙動により爆発あるいは負傷事故を発生させる危険があります。
- ▶ バッテリーは火気あるいは高温に曝さないでください。火気あるいは 130 °C (265 °F) を超える高温は、爆発の原因となることがあります。
- ▶ 充電に関するすべての指示事項に従い、バッテリーあるいはバッテリー工具は、決して取扱説明書に記載された温度範囲外で充電しないでください。正しくない充電あるいは許容温度範囲外での充電により、バッテリーが破壊され火災が発生する危険があります。

サービス

- ▶ 電動工具の修理は必ず認定サービスセンターにお申し付けください。また、必ず純正部品を使用してください。これにより電動工具の安全性が確実に維持されます。
- ▶ 損傷したバッテリーは決して手入れや保守を行わないでください。バッテリーの保守作業はすべて、メーカーあるいは権限のあるお客様サービスセンターが行うものとします。

2.2 ハンマーに関する安全上の注意

すべての作業に関する安全上の注意

- ▶ 耳栓を着用してください。騒音により、聴覚に悪影響が出る恐れがあります。
- ▶ 本体と一緒に納品された補助ハンドルを使用してください。これ以外のハンドルを使用すると、コントロールを失ってけがをする恐れがあります。
- ▶ 先端工具が隠れた電線に接触する可能性のある作業を行う場合は、必ず本体の絶縁されたグリップを持ってください。通電しているケーブルと接触すると、本体の金属部分にも電圧がかかり、感電の危険があります。

2.3 電動ハツリ機のその他の安全上の注意

作業に関する安全

- ▶ 本製品とアクセサリーは、必ず技術的に問題のない状態で使用してください。
- ▶ 本製品あるいはアクセサリーには、決して加工や改造を加えないでください。
- ▶ 天井、壁および床のハツリ作業の際には、足元がしっかりと安定していることを確認してください。足場が突然に壊れると、バランスを失う危険があります！



- ▶ 剥がし作業の場合には、作業側と反対の領域を保護してください。剥がれた部分が脱落、落下して他の人を負傷させる危険があります。
- ▶ 使用中は、作業者および現場で直近に居合わせる人々は、適切な保護メガネ、保護ヘルメット、耳栓、および防じんマスクを着用しなければなりません。
- ▶ 先端工具の交換時には保護手袋を着用してください。先端工具に触れると、切創事故や火傷の原因となることがあります。
- ▶ アイシールドを着用してください。破片が身体の一部、眼などを傷つけることもあります。
- ▶ 研磨、紙やすり研磨、切断および穿孔の際に発生する粉じんは、化学物質を含んでいる場合があります。これには、鉛、鉛、あるいは鉛ベースの塗料、レンガ、コンクリートおよびその他の壁用資材、自然石およびその他の珪酸塩含有製品、樫などの特定の木材、および化学処理の施された木材、アスベストあるいはアスベストが含まれる母材、などが考えられます。作業対象の資材の危険等級により、作業者および周囲の人員の曝露を確認してください。曝露を安全なレベルに維持するために、粉じん吸引システムの使用、あるいは適切な防じんマスクの着用などの必要な処置を取ってください。曝露の低減のための一般的な処置としては、以下のようなものがあります：
 - ▶ 十分に換気された領域での作業
 - ▶ 粉じんと長時間の接触の回避
 - ▶ 粉じんを顔や体から遠ざける
 - ▶ 保護服を着用し、水と石鹸で曝露領域を洗浄する
- ▶ 頻繁に休憩を取って、指を動かして血行を良くするように心がけてください。長時間作業の際には、強い振動により指、手あるいは手首の関節の血管あるいは神経系に障害が発生する可能性があります。

電気に関する安全注意事項

- ▶ 作業を開始する前に、作業領域に埋設された電線、ガス管や水道管がないかを調査してください。電線、ガス管あるいは水道管を損傷すると、本製品外側の金属部分での感電事故、あるいは爆発が発生する可能性があります。

電動工具の慎重な取扱いおよび使用

- ▶ 本製品は停止するまで置かないでください。

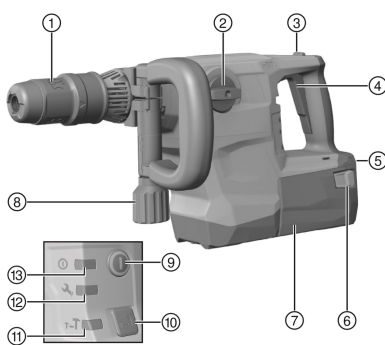
2.4 バッテリーの慎重な取扱いおよび使用

- ▶ Li-Ion バッテリーの搬送、保管、作動については特別規定を守ってください。
- ▶ バッテリーは高温、直射日光および火気を避けて保管してください。
- ▶ バッテリーを分解したり、挟んだり、80 °C (176°F) 以上に加熱したり、燃やしたりしないでください。
- ▶ 衝撃を受けたことのあるバッテリー、1 m を超える高さから落下したことのあるバッテリー、あるいはその他の損傷を被っているバッテリーを使用あるいは充電しないでください。この場合には、必ず最寄りの Hilti サービスセンターにご連絡ください。
- ▶ バッテリーが掴むことのできないほどに熱くなっている場合は、故障している可能性があります。バッテリーを、目視確認が可能で可燃物のない場所に、可燃性の資材から十分な距離を設けて置いてください。バッテリーを冷ます。1 時間の経過後にも掴むことのできないほどに熱い場合は、そのバッテリーは故障している可能性があります。Hilti サービスセンターに連絡してください。



3 製品の説明

3.1 製品概要



- ① チャック
- ② 機能切り替えスイッチ
- ③ 連続動作モード用ロックボタン(ハツリ作業のみ)
- ④ 無段変速スイッチ
- ⑤ 充電状態および故障インジケータ (Li-Ion バッテリー)
- ⑥ 追加機能(充電状態インジケータ作動) 付きリリースボタン
- ⑦ バッテリー
- ⑧ サイドハンドル
- ⑨ ON/OFF スイッチ
- ⑩ ハーフパワーボタン
- ⑪ ハーフパワーインジケータ
- ⑫ サービスインジケータ
- ⑬ ON/OFF インジケータ

3.2 正しい使用

本書で説明している製品は、ニューマチック構造の打撃機構を備えた充電式電動ハツリ機です。本製品は、石材への軽度～中程度のハツリ作業、およびコンクリートへの再加工作業用の工具です。

- ▶ 本製品には、必ずHiltiのB 36シリーズのLi-Ionバッテリーを使用してください。
- ▶ これらのバッテリーには、必ずHiltiのC4/36シリーズの充電器を使用してください。

3.2.1 考えられる誤った使用

- 本製品は、健康を損なう危険のある母材を作業するには適していません。
- 本製品は、湿気の多い環境での作業には適していません。

3.3 Active Vibration Reduction

本製品は、振動を大幅に低減させるActive Vibration Reduction (AVR) システムを装備しています。

3.4 サービスインジケータ

本製品はサービスインジケータを装備しています。

3.4.1 MMI

状態	意味
サービスインジケータが点灯。	作動時間がサービス期限に達しています。
サービスインジケータが点滅。	Hilti サービスセンターに修理を依頼してください。
ON/OFF インジケータが点灯。	製品がオンにされています
ON/OFF インジケータが点滅。	製品が一時的なエラーのためにオフにされています。
ON/OFF インジケータが消灯。	製品がオフにされています。
ハーフパワーインジケータが点灯。	製品はハーフパワーで動作しています。
ハーフパワーインジケータが消灯。	製品はフルパワーで動作しています。

3.4.2 Li-Ion バッテリーのインジケータ

Li-Ion バッテリーの充電状態および本体の不具合は、Li-Ion バッテリーのインジケータにより表示されます。Li-Ion バッテリーの充電状態は、2つのバッテリーリリースボタンのいずれかを押すと表示されます。

状態	意味
4 個の LED が点灯。	充電状態：75 %...100 %
3 個の LED が点灯。	充電状態：50 %...75 %



状態	意味
2 個の LED が点灯。	充電状態：25 %...50 %
1 個の LED が点灯。	充電状態：10 %...25 %
1 個の LED が点滅。	充電状態：< 10 %
1 個の LED が点滅、製品は作動可能状態にない。	バッテリーが過熱あるいは完全に放電している。
4 個の LED が点滅、製品は作動可能状態にない。	本体の過負荷あるいは過熱。

i コントロールスイッチの操作中、およびこのスイッチから指を放してから 5 秒が経過するまでの間は、充電状態を確認することはできません。
 バッテリーのインジケーターの LED が点滅している場合は、「故障時のヒント」の章の注意事項を確認してください。

3.5 本体標準セット構成

電動ハツリ機、サイドハンドル、取扱説明書。

ご使用の製品用に許可されたその他のシステム製品については、弊社営業担当または **Hilti Store** にお問い合わせいただくか、あるいは www.hilti.group でご確認ください。

4 製品仕様

	TE 500-A36
定格電圧	36 V
重量(EPTA プロシージャ 01 準拠)	7.9 kg
1 回当たりの打撃力(EPTA プロシージャ 05 準拠)	7.8 J
チャック	TE-Y
保管温度	-20 °C ... 70 °C
作動時の周囲温度	-17 °C ... 60 °C

4.1 騒音および振動値について (EN 62841 準拠)

本説明書に記載されているサウンドプレッシャー値および振動値は、規格に準拠した測定方法に基づいて測定したものです。電動工具を比較するのにご使用いただけます。曝露値の暫定的な予測にも適しています。記載されているデータは、電動工具の主要な使用方法に対する値です。電動工具を他の用途で使用したり、異なる先端工具を取り付けて使用したり、手入れや保守が十分でないまま使用した場合には、データが異なることがあります。このような相違により、作業時間全体で曝露値が著しく高くなる可能性があります。

曝露値を正確に予測するためには、電動工具のスイッチをオフにしている時間や、電動工具が作動していても実際には使用していない時間も考慮しなければなりません。このような相違により、作業時間全体で曝露値が著しく低くなる可能性があります。

作業者を騒音および / または振動による作用から保護するために、他にも安全対策を立ててください(例：電動工具および先端工具の手入れや保守、手を冷やさないようにする、作業手順の編成)。

騒音排出値 (EN 62841 準拠)

	TE 500-A36
サウンドプレッシャーレベル (LpA)	91 dB
サウンドプレッシャーレベルの不確実性 (KpA)	3 dB
サウンドパワーレベル (LWA)	102 dB
サウンドパワーレベルの不確実性 (KWA)	3 dB

合計振動値 (EN 62841 準拠)

	TE 500-A36	
コンクリートへのハツリ作業 ($a_{h, CHeq}$)	B 36/5.2	7.9 m/s ²
	B 36/9.0	7.4 m/s ²
不確実性 (K)	1.5 m/s ²	



5 バッテリー

バッテリー作動電圧	36 V
作動時の周囲温度	-17 °C ... 60 °C
保管温度	-20 °C ... 40 °C
充電開始時のバッテリー温度	-10 °C ... 45 °C

6 ご使用方法

6.1 作業準備

製品の設定やアクセサリーの交換を行う前に、本製品をオフにするかあるいはバッテリーを取り外してください。

本書および製品に記載されている安全上の注意と警告表示に注意してください。

6.1.1 バッテリーを装着する

警告

負傷の危険 短絡あるいはバッテリーの落下！

- ▶ バッテリーを装着する前に、バッテリーの電気接点と製品の電気接点に異物がないことを確認してください。
- ▶ バッテリーが正しくロックされていることを常に確認してください。

1. はじめてお使いになる前にバッテリーをフル充電してください。
2. ロックの音が聞こえるまでバッテリーを製品へとスライドさせます。
3. バッテリーがしっかりと装着されていることを確認してください。

6.1.2 バッテリーを取り外す

1. バッテリーのリリースボタンを押します。
2. 本体からバッテリーを抜き取ります。

6.1.3 バッテリーを充電する

1. 充電の前に充電器の取扱説明書をお読みください。
2. バッテリーと充電器の電気接点は汚れがなく、乾燥していることを確認してください。
3. バッテリーは許可された充電器で充電してください。→ 頁 124

6.1.4 サイドハンドルを取り付ける

注意

負傷の危険 電動ハツリ機のコントロールの喪失。

- ▶ サイドハンドルが正しく取り付けられ、しっかりと固定されていることを確認してください。
1. 本体をスイッチオフにします。
 2. グリップを回してサイドハンドルのクランピングバンドを緩めます。
 3. クランピングバンドを前方から取付け用溝のところまでスライドさせてチャックへと取り付けます。
 4. サイドハンドルをご希望の位置にします。
 5. グリップを回してサイドハンドルのクランピングバンドを張ります。

6.1.5 出力を調整する

バッテリーを装着すると、製品は常にフルパワーに設定されます。

1. 「ハーフパワーボタン」を押します。製品がハーフパワーに切り替わります。
 - ▶ 「ハーフパワーインジケーター」が点灯します。
2. 「ハーフパワーボタン」を再度押します。製品がフルパワーに切り替わります。
 - ▶ 「ハーフパワーインジケーター」が消灯します。



6.1.6 先端工具を装着する / 取り外す

危険

火災の危険 熱くなっている先端工具と引火性が高い物質との接触による危険。

- ▶ 熱くなっている先端工具を引火性の高い物質の上に置かないでください。

警告

負傷の危険 使用中に先端工具が高温になる場合があります。

- ▶ 先端工具の交換時には保護手袋を着用してください。



適切でないグリスを使用すると、製品の損傷の原因となることがあります。必ずHiltiの純正グリスを使用してください。

1. 先端工具のコネクションエンドにグリスを軽く塗布します。
 - ▶ 必ずHiltiの純正グリスを使用してください。不適切なグリスを使用すると製品損傷の原因となることがあります。
2. 機能切り替えスイッチを「ハツリ作業」 **T** の位置にします。
3. 先端工具をチャックのストップ位置まで差し込み、ロックさせます。
4. 装着後に先端工具を引っ張り、確実にロックされているか確認します。
 - ▶ 製品は作動可能状態です。
5. チャックロックスリーブをストップ位置まで引き戻し、先端工具を取り外します。

6.2 作業

注意

負傷の危険 電動ハツリ機のコントロールの喪失。

- ▶ サイドハンドルが正しく取り付けられ、しっかりと固定されていることを確認してください。

本書および製品に記載されている安全上の注意と警告表示に注意してください。

6.3 チゼル角度調整

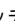
注意

負傷の危険！ ハツリ方向のコントロールの喪失。

- ▶ 「チゼル角度調整」位置で作業をしないでください。機能切り替えスイッチを「ハツリ作業」の位置にし、その位置にロックさせます。



チゼルは 24 の異なる位置に (15° ステップで) 調整することができます。これによってコールドチゼルでもスケーリングチゼルでも、最適の角度で作業できます。

1. 本体をスイッチオフにします。
2. 機能切り替えスイッチを「チゼル角度調整」  の位置にします。
3. チゼルをご希望の位置に回します。
4. 機能切り替えスイッチをこの記号に合わせてください： **T** (ロックさせてください)。
 - ▶ 製品は作動可能状態です。

6.3.1 ハツリ作業

- ▶ 機能切り替えスイッチを「ハツリ作業」 **T** の位置にします。



本製品は常に両手でしっかり保持してください。本製品は清潔に保ち、オイルやグリスで汚さないようにしてください。



作業の後、熱くなっている本製品を引火性の高い物質の上に置かないでください。そのような物質は自然に発火することがあります。



6.3.2 連続動作モードをオンにする / オフにする

ハツリモードで作業する場合、コントロールスイッチを作動状態でロックできます。

1. 連続動作モード用ロックボタンを前方へ押します。
2. コントロールスイッチを一杯に握り込んでください。
 - ▶ 製品が連続動作モードで作動します。
3. 連続動作モード用ロックボタンを後方へ押します。
 - ▶ 製品がスイッチオフになります。

7 手入れと保守

警告

バッテリーを装着した状態における負傷の危険！

- ▶ 手入れや保守作業の前に必ずバッテリーを取り外してください！

製品の手入れ

- 付着した汚れを慎重に除去してください。
- 汚れが付着している場合は、通気溝を乾いた柔らかいブラシを使用して慎重に掃除してください。
- 必ず少し湿した布でハウジングを拭いてください。シリコンを含んだ磨き粉はプラスチック部品をいためる可能性があるため使用しないでください。
- 本製品の電気接点を清掃するには、清潔な乾いた布を使用してください。

Li-Ion バッテリーの手入れ

- 通気溝が詰まっているバッテリーは決して使用しないでください。通気溝を乾いた柔らかいブラシを使用して慎重に掃除してください。
- バッテリーを不必要に粉じんや汚れに曝さないようにしてください。バッテリーは、決して高い湿度に曝さないでください(例：水中に沈める、あるいは雨中に放置する)。水分が浸入したバッテリーは、損傷したものとして取り扱ってください。そのようなバッテリーは不燃性の容器に隔離し、**Hilti** サービスセンターにご連絡ください。
- バッテリーには、本製品に使用しているのではないオイルやグリスが付着しないようにしてください。バッテリーに不必要な粉じんあるいは汚れが堆積しないようにしてください。バッテリーは、乾いた柔らかいブラシまたは乾いた布で清掃してください。シリコンを含んだ磨き粉はプラスチック部品をいためる可能性があるため使用しないでください。
- バッテリーの電気接点に手を触れないでください、また、工場出荷時に塗布されているグリスを電気接点からぬぐい取らないでください。
- 必ず少し湿した布でハウジングを拭いてください。シリコンを含んだ磨き粉はプラスチック部品をいためる可能性があるため使用しないでください。

保守

- 目視確認可能なすべての部品については損傷の有無を、操作エレメントについては問題なく機能することを定期的に点検してください。
- 損傷および / または機能に問題のある場合は、本製品を使用しないでください。速やかに**Hilti** サービスセンターに本製品の修理を依頼してください。
- 手入れおよび保守作業の後は、すべての安全機構を取り付けて、それらが問題なく作動するか点検してください。

安全な作動のために、必ず純正のスペアパーツと消耗品を使用してください。本製品向けに**Hilti** が承認したスペアパーツ、消耗品およびアクセサリは、弊社営業担当または**Hilti Store** にお問い合わせいただくか、あるいは**www.hilti.group**

8 バッテリー式工具およびバッテリーの搬送および保管

搬送

注意

搬送時の予期しない始動！

- ▶ お使いの製品は、必ずバッテリーを装着していない状態で搬送してください！
- ▶ バッテリーを取り外してください。



- ▶ バッテリーは決して梱包しない状態で搬送しないでください。搬送中のバッテリーは、他のバッテリー電極と接触して短絡の原因となることを防ぐために、過大な衝撃や振動から保護し、あらゆる導電性の物体あるいは他のバッテリーから隔離する必要があります。バッテリーの搬送に関する各国(地域)の規則を遵守してください。
- ▶ バッテリーは郵送しないでください。損傷していないバッテリーを送付する場合は、運送業者を手配してください。
- ▶ 使用の前にその都度、また長距離の搬送の前には、製品とバッテリーに損傷がないか点検してください。

保管上の注意事項



警告

故障したあるいは液漏れしたバッテリーによる予期しない損傷！

- ▶ お使いの製品は、必ずバッテリーを装着していない状態で保管してください！
- ▶ 製品とバッテリーは涼しくて乾燥した場所に保管してください。製品仕様に記載されている温度の限界値に注意してください。
- ▶ バッテリーは充電器内で保管しないでください。充電の後は、必ずバッテリーを充電器から取り出してください。
- ▶ バッテリーを太陽の直射下、熱源の上、窓際等で保管しないでください。
- ▶ 製品およびバッテリーは、子供や権限のない人が手を触れることのないようにして保管してください。
- ▶ 使用の前にその都度、また長期にわたる保管の前には、製品とバッテリーに損傷がないか点検してください。

9 故障時のヒント

この表に記載されていない、あるいはご自身で解消することのできない故障が発生した場合には、弊社営業担当またはHilti サービスセンターにご連絡ください。

9.1 故障かな？と思った時

故障	考えられる原因	解決策
打撃がない。	製品温度が低すぎる。	▶ 製品を母材に接触させて、アイドリング回転させます。打撃機構が作動するまでこれを繰り返してください。
バッテリーの消耗が通常よりも早い。	バッテリーの状態が好ましくない。	▶ バッテリーを交換してください。
バッテリーが「カチッカチツ」と音がするまでロックされない。	バッテリーのロックノッチが汚れている。	▶ ロックノッチを清掃してバッテリーを改めてロックしてください。
製品が自動的にオフになる。	過負荷保護機構が有効。	ON/OFF インジケーターが点滅。 ▶ コントロールスイッチから指を放します。製品を冷ましてください。コントロールスイッチを改めて操作してください。負荷を低減してください。
本体あるいはバッテリーが熱くなる。	電氣的故障。	▶ 製品を直ちにオフにしてください。バッテリーを取り外して点検します。バッテリーを冷ましてください。Hilti サービスセンターに連絡してください。
	製品の過負荷(適用基準を超えている)。	▶ 用途に適した製品を選択してください。
バッテリーのLEDがなにも表示しない。	バッテリーが完全に装着されていない。	▶ バッテリーを「カチッカチツ」と音がするまでロックする。
	バッテリーが放電している。	▶ バッテリーを交換し、空のバッテリーを充電してください。



故障	考えられる原因	解決策
バッテリーのLEDがなにも表示しない。	バッテリーの温度が高すぎる、または低すぎる。	▶ バッテリーを推奨運転温度まで冷やしてください / 暖めてください。
バッテリーの1個のLEDが点滅。	バッテリーが放電している。	▶ バッテリーを交換し、空のバッテリーを充電してください。
	バッテリーの温度が高すぎる、または低すぎる。	▶ バッテリーを推奨運転温度まで冷やしてください / 暖めてください。
バッテリーの4個のLEDが点滅。	製品の短時間の過負荷。	▶ コントロールスイッチから指を放し、改めてコントロールスイッチを操作してください。
	過熱保護が作動した。	▶ 製品を冷まし、通気溝を清掃してください。
製品がフルパワーにならない。	コントロールスイッチの握り込みが不十分。	▶ コントロールスイッチをストップ位置まで強く握り込んでください。
	「ハーフパワー」ボタンがオンになっている。	▶ 「ハーフパワー」ボタンを押してください。
先端工具をロックから取り出せない。	チャックが完全に引き戻されていない。	▶ チャックロックスリーブをストップ位置まで引き戻し、先端工具を取り外してください。
	サイドハンドルが正しく取り付けられていない。	▶ サイドハンドルを緩めて、クランピングバンドとサイドハンドルが奥でロックされるように正しい位置に取り付けてください。
製品が始動しない。	電源遮断後、電子式始動インターロックがアクティブになっている。	▶ 製品をオフにして、再びオンにする。
サービスインジケータが点灯。	サービス期限に達している。	▶ Hilti サービスセンターに修理を依頼してください。
サービスインジケータが点滅。	製品の損傷。	▶ Hilti サービスセンターに修理を依頼してください。
ON/OFF インジケータが点滅。	製品の短時間の過負荷。	▶ コントロールスイッチから指を放し、改めてコントロールスイッチを操作してください。
	過熱保護が作動した。	▶ 製品を冷まし、通気溝を清掃してください。

10 廃棄

Hilti 製品の大部分の部品はリサイクル可能です。リサイクル前にそれぞれの部品は分別して回収されなければなりません。多くの国で**Hilti** は、古い電動工具をリサイクルのために回収しています。詳細については弊社営業担当または**Hilti** 代理店・販売店にお尋ねください。



▶ 電動工具、電子機器およびバッテリーを一般ゴミとして廃棄してはなりません！

11 RoHS (有害物質使用制限に関するガイドライン)

下記のリンクより、有害物質を記載した表を確認できます：qr.hilti.com/r10130182。
本書の最終ページに RoHS 表にリンクした QR コードがあります。

12 メーカー保証

▶ 保証条件に関するご質問は、最寄りの**Hilti** 代理店・販売店までお問い合わせください。



오리지널 사용 설명서

1 사용 설명서 관련 정보

1.1 본 사용 설명서에 관하여

- 처음 이 제품을 사용하기 전에 본 사용 설명서를 읽으십시오. 안전하게 작업하고 문제 없이 취급하기 위한 전제가 됩니다.
- 본 사용 설명서 및 제품에 나와 있는 안전상의 주의사항 및 경고 지침에 유의하십시오.
- 항상 제품에 있는 사용 설명서를 잘 보관하고 제품은 반드시 본 사용 설명서와 함께 다른 사람에게 전달하십시오.

1.2 기호 설명

1.2.1 경고사항

본 제품을 다루면서 발생할 수 있는 위험에 대한 경고사항. 다음과 같은 시그널 워드가 사용됩니다.

위험

위험!

- ▶ 이 기호는 직접적인 위험을 표시합니다. 만약 지키지 않으면 심각한 부상을 당하거나 사망할 수도 있습니다.

경고

경고!

- ▶ 이 기호는 잠재적인 위험을 표시합니다. 만약 지키지 않으면 심각한 부상을 당하거나 사망할 수도 있습니다.

주의

주의!

- ▶ 이 기호는 잠재적인 위험 상황을 표시합니다. 만약 지키지 않으면 부상 또는 물질 손실을 입을 수 있습니다.

1.2.2 사용 설명서에 사용된 기호

본 사용 설명서에서 사용되는 기호는 다음과 같습니다.

	사용 설명서에 유의하십시오
	적용 지침 및 기타 유용한 사용정보
	재사용이 가능한 자재 취급방법
	전기 기기 및 배터리를 일반 가정의 쓰레기처럼 폐기해서는 안 됨
	Hilti 리튬 이온 배터리
	Hilti 충전기

1.2.3 그림에 사용된 기호

다음과 같은 기호가 그림에 사용됩니다.

	이 숫자는 본 사용 설명서 첫 부분에 있는 해당 그림을 나타냅니다.
	그림에 매겨진 번호는 중요한 작업 순서 또는 작업 순서에 중요한 부품을 나타냅니다. 텍스트에 해당 작업 순서 또는 해당 번호가 매겨진 부품이 강조 표시됩니다(예: (3)).
	항목 번호는 개요 그림에서 사용되며 제품 개요 단락에 나와 있는 기호 설명 번호를 나타냅니다.
	이 표시는 제품을 다룰 때, 특별히 주의할 사항을 나타냅니다.



1.3 제품 관련 기호

1.3.1 제품에 사용된 기호

제품에 사용되는 기호는 다음과 같습니다.

	치즐링
	치즐 각도 조정
	서비스 표시기
	직경
n_0	무부하 회전 속도
/min	분당 회전수
	직류
	본 제품은 무선 데이터 전송을 지원하며, iOS 및 Android 플랫폼과 호환 가능합니다.
Li-Ion	리튬이온 배터리
	사용한 Hilti 리튬이온 배터리 모델 시리즈. 규정에 맞는 사용 단원에 제시된 내용에 유의하십시오.
	배터리는 절대 타격 공구로 사용해서는 안 됩니다.
	배터리를 떨어뜨리지 마십시오. 타격을 받은 적이 있거나 다른 손상이 있는 배터리는 사용하지 마십시오.

1.4 전원 ON/OFF

기호

	제품의 전원 켜짐
	제품의 전원 꺼짐

1.5 제품 정보

제품은 전문가용으로 설계되어 있으며, 해당 교육을 이수한 공인된 작업자를 통해서만 조작, 유지 보수 및 수리 작업을 진행할 수 있습니다. 이 기술자는 발생할 수 있는 위험에 대해 특별 교육을 받은 상태여야 합니다. 교육을 받지 않은 사람이 제품을 부적절하게 취급하거나 규정에 맞지 않게 사용할 경우에는 기기와 그 보조기구에 의해 부상을 당할 위험이 있습니다.

형식 명칭 및 일련 번호는 형식 라벨에 제시되어 있습니다.

- ▶ 일련 번호를 다음의 표에 옮기십시오. 대리점 또는 서비스 센터에 문의할 경우 제품 제원이 필요합니다.

제품 제원

브레이커	TE 500-A36
세대	04
일련 번호	

1.6 적합성 선언

퍼사는 전적으로 책임을 지고 여기에 기술된 제품이 통용되는 기준과 규격에 일치함을 공표합니다. 적합성 증명서 사본은 본 문서 끝 부분에서 확인할 수 있습니다.

기술 문서는 이곳에 기술되어 있습니다.

Hilti Entwicklungsgesellschaft mbH | Zulassung Geräte | Hiltistraße 6 | 86916 Kaufering, DE



2 안전

2.1 전동 공구에 대한 일반적인 안전상의 주의사항

⚠ 경고 해당 전동 공구와 함께 동봉된 모든 안전상의 주의 사항, 지침, 그림 및 기술자료를 숙지하십시오. 다음과 같은 지침 내용을 준수하지 않으면 전기 충격, 화재가 발생하거나 그리고/또는 중상을 입을 수 있습니다. 앞으로 모든 안전상의 주의사항과 지침을 보관하십시오.

안전상의 주의사항에서 사용되는 "전동 공구"라는 개념은 전원에 연결하여 사용하는 전동 공구(전원 케이블 있음) 또는 배터리를 사용하는 전동 공구(전원 케이블 없음)를 의미합니다.

작업장 안전수칙

- ▶ 작업장을 항상 깨끗이 하고 조명이 잘 들도록 하십시오. 어수선한 작업환경 또는 어두운 작업장은 사고를 초래할 수 있습니다.
- ▶ 인화성 액체, 가스 또는 먼지가 있어 폭발 위험이 있는 환경에서는 전동 공구를 사용하지 마십시오. 전동 공구는 먼지나 증기를 점화시킬 수 있는 스파크를 일으킵니다.
- ▶ 전동 공구를 사용할 때, 어린이들이나 다른 사람들이 작업장에 접근하지 못하도록 하십시오. 다른 사람의 방해로 인해 기기를 통제하기 어렵습니다.

전기에 관한 안전수칙

- ▶ 전동 공구의 전원 플러그가 소켓에 잘 끼워져야 합니다. 플러그를 절대 변형시켜서는 안됩니다. 접지된 전동 공구와 함께 아답타 플러그를 사용하지 마십시오. 변형되지 않은 플러그와 적합한 소켓을 사용하면 감전의 위험을 줄일 수 있습니다.
- ▶ 파이프, 히터, 전기레인지, 냉장고와 같은 접지 표면에 신체 접촉을 피하십시오. 신체에 닿을 경우 감전될 위험이 높습니다.
- ▶ 전동 공구가 비에 맞지 않도록 하고 습한 장소에 두지 마십시오. 전동 공구에 물이 들어가면 감전될 위험이 높습니다.
- ▶ 전원 케이블만 잡고 전동 공구를 운반하거나 걸어 놓아서는 안되며, 소켓에서 전원 플러그를 빼낼 때 케이블만 잡은 채로 빼내지 마십시오. 전원 케이블이 열, 오일, 날카로운 모서리 또는 부품의 가동 부위에 접촉하지 않도록 주의하십시오. 손상되거나 서로 꼬인 전원 케이블은 감전 위험을 높입니다.
- ▶ 실외에서 전동 공구를 이용하여 작업할 때, 실외용으로 승인된 연장 케이블만 사용하십시오. 실외용 연장 케이블을 사용하면 감전의 위험을 줄여줍니다.
- ▶ 전동 공구를 습한 환경에서 사용하는 것을 피할 수 없을 경우, 누전 차단기를 사용하십시오. 누전 차단기를 사용하면 감전 위험을 줄일 수 있습니다.

사용자 안전수칙

- ▶ 신중하게 작업하십시오. 작업에 정신을 집중하고 전동 공구를 사용할 때 경솔하게 행동하지 마십시오. 피곤하거나 항정신성 약물, 술 또는 약물 복용시에는 전동 공구를 사용하지 마십시오. 전동 공구 사용 시에 유의하지 않을 경우 심각한 부상을 초래할 수 있습니다.
- ▶ 안전 장비를 갖추고 보안경을 착용하십시오. 전동 공구의 종류와 사용에 따라, 먼지 보호 마스크, 미끄럼 방지용 안전 신발, 안전모 또는 귀마개 등과 같은 안전한 보호장비를 착용하면 부상의 위험을 줄일 수 있습니다.
- ▶ 실수로 기기가 작동하지 않도록 주의하십시오. 전동 공구를 전원 그리고/또는 배터리에 연결하기 전, 보관 또는 운반 전에 전동 공구가 스위치 OFF 상태인지 확인하십시오. 전동 공구 운반 시 스위치에 손가락을 대거나 스위치가 켜진 상태에서 전원을 연결하면 사고를 유발할 수 있습니다.
- ▶ 전동 공구의 스위치를 켜기 전, 조정공구 또는 렌치를 제거하십시오. 기기 회전부에 남아있는 공구나 렌치로 인해 부상을 입을 수 있습니다.
- ▶ 작업 시 비정상적인 자제는 피하십시오. 안전한 작업자세가 되도록 하고, 항상 균형을 유지하십시오. 이렇게 하여 예기치 않은 상황에서도 전동 공구를 잘 제어할 수 있습니다.
- ▶ 적합한 작업복을 착용하십시오. 헐렁한 복장이나 장식품을 착용하지 마십시오. 작동하는 기기 가동 부위에 머리, 옷 그리고 장갑이 가까이 닿지 않도록 주의하십시오. 헐렁한 복장, 장식품 혹은 긴 머리가 가동 부위에 말려 들어갈 수 있습니다.
- ▶ 먼지 제거장치나 수거장치를 설치할 수 있는 기기의 경우, 이 장치들이 연결되어 있는지 그리고 제대로 작동되는지를 확인하십시오. 먼지 포집장치 사용은 먼지로 인한 위험을 줄여줄 수 있습니다.
- ▶ 이 전동 공구를 여러번 사용해왔다고 해서 안전하다고 안심하지 말고 전동 공구에 해당하는 안전 규칙을 무시하지 마십시오. 부주의하게 행할 경우 아주 짧은 순간에 중상을 입을 수 있습니다.

전동 공구의 취급과 사용

- ▶ 기기에 과부하가 걸리지 않도록 하십시오. 귀하의 작업에 적합한 전동 공구를 사용하십시오. 적합한 전동 공구를 사용하면, 지정된 성능 한도 내에서 더 효율적으로 안전하게 작업할 수 있습니다.
- ▶ 스위치가 고장난 전동 공구는 사용하지 마십시오. 스위치가 작동되지 않는 전동 공구는 위험하므로, 반드시 수리를 해야 합니다.
- ▶ 기기 세팅을 실행, 액세서리를 교환 또는 기기를 보관하기 전에 컨택터를 전원소켓에서 그리고/또는 탈착식 배터리를 기기에서 빼놓으십시오. 이러한 조치는 실수로 전동 공구가 작동하지 않도록 방지합니다.



- ▶ 사용하지 않는 전동 공구는 어린이들의 손이 닿지 않는 곳에 보관하십시오. 기기 사용에 익숙치 않거나 또는 이 안전수칙을 읽지 않은 사람이 기기를 사용해서는 안 됩니다. 비숙련자가 전동 공구를 사용하면 위험합니다.
- ▶ 전동 공구 및 액세서리를 유의해서 관리하십시오. 기기의 가동 부위가 완벽하게 작동하는지, 끼여 있지 않은지, 혹은 부품이 손상되거나 파손되어 있어 전동 공구의 기능을 저하시키지 않는지 점검하십시오. 기기 사용 전 손상된 부품을 수리하도록 하십시오. 제대로 관리되지 않은 전동 공구는 많은 사고를 유발합니다.
- ▶ 절단기기는 날카롭고 깨끗하게 관리하십시오. 날카로운 절단면이 있고 잘 관리된 절단기기는 끼이는 경우가 드물고 조절하기도 쉽습니다.
- ▶ 본 지침에 따라 전동 공구, 액세서리, 공구 비트 등을 사용하십시오. 이 때 작업 조건과 실시하려는 작업 내용을 고려하십시오. 원래 사용 분야가 아닌 다른 작업에 전동 공구를 사용할 경우, 위험한 상황을 초래할 수 있습니다.
- ▶ 손잡이 및 손잡이 표면은 건조하고 깨끗하게, 그리고 오일과 그리스가 묻어있지 않도록 해야 합니다. 미끄러운 손잡이 및 손잡이 표면은 예상치 못한 상황에서 전동 공구를 안전하게 조작하고 제어할 수 없습니다.

배터리 공구의 취급과 사용

- ▶ 제조회사가 권장한 충전기에만 배터리를 충전시키십시오. 특정한 형식의 배터리를 사용하도록 규정되어 있는 충전기에 다른 배터리를 사용할 경우 화재 발생의 위험이 있습니다.
- ▶ 전동 공구에 적합하게 규정된 배터리만 사용하십시오. 다른 배터리를 사용하면 부상을 입을 수 있고, 화재가 발생할 수 있습니다.
- ▶ 배터리를 사용하지 않을 경우 클립, 동전, 키, 못, 나사 또는 다른 소형 금속 물질로부터 사용하지 않는 배터리를 멀리 떨어뜨려 놓아주십시오. 배터리 간 단락으로 인한 연소 또는 화재를 초래할 수 있습니다.
- ▶ 잘못 사용할 경우, 배터리로부터 전해액이 흘러나올 수 있습니다. 전해액을 직접 만지지 마십시오. 실수로 만졌을 경우, 물로 씻으십시오. 전해액이 눈에 들어갔으면, 의사와 상담하십시오. 배터리로부터 흘러나온 전해액은 피부를 손상시킬 수 있으며, 화재를 발생시킬 수 있습니다.
- ▶ 손상된 배터리 또는 변경된 배터리를 사용하지 마십시오. 손상된 배터리 또는 변경된 배터리는 예상치 못한 상황 및 화재, 폭발 또는 부상 위험을 초래할 수 있습니다.
- ▶ 배터리에서 불꽃이 발생하거나 또는 배터리가 너무 높은 온도에 노출되지 않게 하십시오. 불꽃 또는 온도가 130 °C (265 °F)를 넘으면 폭발을 일으킬 수 있습니다.
- ▶ 충전에 관한 모든 지침을 준수하여 배터리 또는 배터리 공구를 절대 사용 설명서에 제시된 범위를 벗어난 온도에서 충전하지 마십시오. 잘못 충전하거나 허용된 범위를 벗어난 온도에서 충전하면 배터리가 파손되어 화재 발생 위험이 높아질 수 있습니다.

서비스

- ▶ 전동 공구는 반드시 자격을 갖춘 전문 기술자에 의해 그리고 순정 대체부품만 이용하여 수리해야 합니다. 이렇게 하여 기기의 안전성을 계속해서 유지할 수 있습니다.
- ▶ 손상된 배터리를 절대 수리하지 마십시오. 배터리 수리는 제조회사 또는 권한을 위임받은 고객 서비스센터에서만 이루어져야 합니다.

2.2 해머에 대한 안전상의 주의사항

모든 작업에 대한 안전상의 주의사항

- ▶ 귀마개를 착용하십시오. 소음은 청각 상실을 유발할 수 있습니다.
- ▶ 기기와 함께 공급된 보조 손잡이를 사용하십시오. 기기를 제어하지 못하면 부상을 입을 수 있습니다.
- ▶ 숨겨진 전선에 공구 비트가 접촉할 수 있는 작업을 실행할 경우, 항상 기기의 절연된 손잡이 부분을 잡으십시오. 전류가 흐르는 전선과 접촉하면 전동공구의 금속 부위를 통해 감전이 될 수도 있습니다.

2.3 그외 브레이커에 관한 안전상의 주의사항

사용자 안전수칙

- ▶ 기술적 하자가 없는 상태에서만 제품 및 액세서리를 사용하십시오.
- ▶ 어떠한 경우에도 제품 또는 액세서리를 변경하거나 개조하지 마십시오.
- ▶ 천장, 벽 및 바닥 치질링 작업 시 안전하고 단단한 상태인지 확인하십시오. 갑자기 파손이 발생하면 균형을 잃을 수 있습니다!
- ▶ 천공 작업 시, 작업할 부분의 반대편이 안전하게 조치를 취하십시오. 발생하는 분쇄물이 빠져 나오거나 또는 떨어지면서 다른 사람이 부상을 입을 수 있습니다.
- ▶ 사용자와 그 주변에 있는 사람들은 기기를 사용하는 동안 반드시 적합한 보안경, 안전모, 귀마개 그리고 경량 보호 마스크를 착용하십시오.
- ▶ 공구 교체 시 보호장갑을 착용하십시오. 공구 비트에 닿으면 부상을 입거나 화상을 당할 수 있습니다.
- ▶ 보안경을 착용하십시오. 재료의 파편으로 인해 눈 등 신체에 부상을 입을 수 있습니다.



- ▶ 샌딩, 연마, 절단 및 드릴링 작업 시 발생하는 먼지에는 위험한 화학물질이 함유되어 있을 수 있습니다. 예를 들어 납 또는 납 계열의 페인트, 벽돌, 콘크리트 및 기타 조적 벽돌 제품, 자연석 및 기타 실리콘 함유 제품, 참나무, 너도밤나무 및 화학 처리된 목재 등과 같은 특정 목재, 석면 또는 석면이 함유된 자재 등이 있을 수 있습니다. 작업하는 자재의 위험 등급을 따라 조각자 및 주변에 있는 사람들의 노출 정도를 결정하십시오. 안전한 수준에서 노출이 이루어질 수 있도록 예를 들어 먼지 포집장치 사용 또는 적합한 보호 마스크 착용 등 필요한 조치를 취하십시오. 노출을 줄일 수 있는 일반적인 조치:
 - ▶ 환기가 잘 되는 곳에서 작업하기,
 - ▶ 장시간 먼지 접촉 피하기,
 - ▶ 얼굴 및 신체의 먼지를 다른 곳으로 털어내기,
 - ▶ 보호 복장 착용 및 노출된 영역을 비누와 물로 세척하기.
- ▶ 손가락의 혈액순환이 잘 되도록 자주 휴식시간을 갖고, 휴식하는 동안 손가락 운동을 하십시오. 장시간 작업하면 강한 진동으로 인해 혈관 장애 또는 손가락, 손 및 손목의 신경 체계에 이상이 있을 수 있습니다.

전기에 관한 안전수칙

- ▶ 작업을 시작하기 전에, 작업장에서 가려져 있거나 덮혀 있는 전기 배선, 가스 파이프 그리고 하수도관이 있는지를 점검하십시오. 전기 배선, 가스 파이프 또는 하수도관을 손상시킨 경우, 제품 바깥쪽에 있는 금속 부품에서 감전 또는 폭발을 유발할 수 있습니다.

전동 공구의 올바른 사용방법과 취급방법

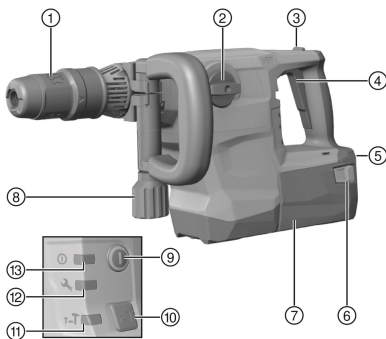
- ▶ 제품을 내려놓기 전에 제품이 완전히 정지할 때까지 기다리십시오.

2.4 배터리의 올바른 사용방법과 취급방법

- ▶ 리튬 이온 배터리의 운반, 보관 및 사용에 대한 특수 지침에 유의하십시오.
- ▶ 배터리를 고열, 직사광선 및 화염 근처에 두지 마십시오.
- ▶ 배터리를 분해하거나 강한 압력 또는 80°C (176°F) 이상의 열을 가하거나 연소시켜서는 안됩니다.
- ▶ 충격을 받은 적이 있거나, 1미터가 넘는 높이에서 떨어진 적이 있거나 혹은 다른 방식으로 손상된 배터리는 절대 사용하거나 충전하지 마십시오. 이러한 경우 항상 Hilti 서비스 센터로 문의해 주시기 바랍니다.
- ▶ 배터리를 잡기에 너무 뜨거운 경우에는 고장일 수 있습니다. 배터리를 인화성 물질과 충분한 거리를 둔 상태에서 눈에 잘 띄며 불이 잘 붙지 않는 장소에 두십시오. 배터리를 냉각시키십시오. 한 시간 후에도 계속 해서 배터리를 잡기에 너무 뜨거운 경우에는 배터리에 결함이 있을 수 있습니다. Hilti 서비스 센터에 문의하십시오.

3 제품 설명

3.1 제품 개요



- ① 척 아답타
- ② 기능 선택 스위치
- ③ 연속 작동 모드 잠금버튼(치줄링 작업의 경우만 해당)
- ④ 컨트롤 스위치
- ⑤ 충전 상태 표시 및 고장 표시(리튬 이온 배터리)
- ⑥ 충전 상태 표시 활성화 추가 기능을 갖춘 잠금 해제 버튼
- ⑦ 배터리
- ⑧ 측면 손잡이
- ⑨ ON/OFF 스위치
- ⑩ 반출력을 위한 버튼
- ⑪ 반출력을 위한 디스플레이
- ⑫ 서비스 표시기
- ⑬ ON/OFF 표시기

3.2 규정에 맞는 사용

기술된 제품은 공압식 타격기구를 갖춘 배터리 구동식 브레이커입니다. 본 제품은 조적벽돌에서 가벼운 작업 및 중간 강도의 치줄링 작업 또는 콘크리트에서 후처리 작업을 진행할 때 사용하기 적합합니다.

- ▶ 본 제품에는 모델시리즈 B 36의 Hilti 리튬 이온 배터리만 사용하십시오.
- ▶ 이 배터리에는 Hilti 충전기 C4/36 시리즈만 사용하십시오.



3.2.1 잘못 사용할 수 있는 경우

- 본 제품은 건강에 유해한 물질을 가공하는 데 적합하지 않습니다.
- 본 제품은 습한 환경에서 작업하는 데 적합하지 않습니다.

3.3 Active Vibration Reduction

본 제품은 진동을 현저하게 줄여주는 Active Vibration Reduction (AVR) 시스템이 장착되어 있습니다.

3.4 서비스 표시기

본 제품은 램프 신호가 있는 서비스 표시기가 장착되어 있습니다.

3.4.1 MMI

상태	의미
서비스 표시기가 점등됨.	서비스 받을 시점에 도달하였음.
서비스 표시기가 깜박임.	Hilti 서비스 센터에 제품 수리를 의뢰하십시오.
ON/OFF 표시기 점등됨.	제품 전원 켜짐
ON/OFF 표시기 깜박임.	일시적인 오류로 제품의 전원이 꺼짐..
ON/OFF 표시기 꺼짐.	제품 전원 꺼짐.
반출력 표시기가 점등됨.	제품이 반출력으로 작동됨.
반출력 표시기 꺼짐.	제품이 전출력으로 작동됨.

3.4.2 리튬 이온 배터리 표시

리튬 이온 배터리의 충전 상태 및 기기의 문제 사항은 리튬 이온 배터리의 표시를 통해 나타냅니다. 리튬 이온 배터리의 충전 상태는 배터리 잠금 해제 버튼 중 하나를 누르면 표시됩니다.

상태	의미
4개의 LED가 점등됨.	충전 상태: 75 % ~ 100 %
3개의 LED가 점등됨.	충전 상태: 50 % ~ 75 %
2개의 LED가 점등됨.	충전 상태: 25 % ~ 50 %
1개 LED가 점등됨.	충전 상태: 10 % ~ 25 %
1개 LED가 깜박임.	충전 상태: < 10 %
1개 LED 깜박임, 제품 작동 불가능한 상태.	배터리가 과열 또는 완전히 방전되었음.
4개 LED 깜박임, 제품 작동 불가능한 상태.	공구가 과부하 또는 과열되었음.

컨트롤 스위치가 조작된 상태에서 컨트롤 스위치에서 손을 뗀 후 5초까지는 충전 상태를 조회해볼 수 없습니다.

배터리 표시기의 LED가 점멸할 경우, "고장 시 대책" 장의 지침에 유의하십시오.

3.5 공급품목

브레이커, 측면 손잡이, 사용 설명서.

해당 제품에 허용되는 기타 시스템 제품은 **Hilti Store** 또는 **www.hilti.group**에서 확인할 수 있습니다.

4 기술자료

	TE 500-A36
정격 전압	36V
EPTA-Procedure 01에 따른 무게	7.9kg
EPTA-Procedure 05에 따른 1회 타격 에너지	7.8J
척 아답타	TE-Y
보관 온도	-20 °C ... 70 °C
작동 시 주변 온도	-17 °C ... 60 °C



4.1 EN 62841에 따른 소음 정보 및 진동값

이 지침에 제시된 음압 및 진동수준은 표준화된 측정방법에 따라 측정된 것이며, 전동 공구를 서로 비교하기 위한 용도로 사용할 수 있습니다. 음압 및 진동 수준은 노출 정도를 사전에 예측하는 데에도 유용하게 사용할 수 있도록 설계되어 있습니다.

제시된 데이터는 전동 공구의 주된 용도를 나타냅니다. 그러나 전동 공구를 다른 용도로 사용하거나 다른 공구 비트를 사용할 경우 또는 유지보수를 충분히 하지 않은 상태에서는 데이터에 편차가 있을 수 있습니다. 이러한 경우 전 작업시간에 걸쳐 노출이 현저하게 증가할 수 있습니다.

노출을 정확하게 평가하기 위해서는 전동 공구 작동이 멈춰 있거나 또는 작동 중이지만 실제로는 사용하지 않는 시간을 고려해야 합니다. 이러한 경우 전 작업시간에 걸쳐 노출이 현저하게 감소할 수 있습니다.

사용자를 보호하기 위해 음파 그리고/또는 진동이 작용하기 전에 다음과 같은 추가적인 안전 조치를 취하십시오. 전동 공구와 공구 비트의 유지보수, 손을 따뜻하게 유지, 작업순서 정하기 등.

소음 배출값은 EN 62841에 따라 측정

	TE 500-A36
음압 수준 (LpA)	91dB
음압 수준 허용공차 (KpA)	3dB
소음 수준 (LWA)	102dB
소음 수준 허용공차 (KWA)	3dB

EN 62841에 따른 진동 총 값

		TE 500-A36
콘크리트에 치질링 ($a_{h, CReq}$)	B 36/5.2	7.9m/s ²
	B 36/9.0	7.4m/s ²
허용공차 (K)		1.5m/s ²

5 배터리

배터리 모드 전압	36V
작동 시 주변 온도	-17 °C ... 60 °C
보관 온도	-20 °C ... 40 °C
충전 시작 시 배터리 온도	-10 °C ... 45 °C

6 조작

6.1 작업 준비



기기 설정을 하거나 부품을 교환하거나 또는 제품을 치우기 전에 제품의 전원을 끄거나 배터리를 제거하십시오.

본 문서 및 제품에 나와 있는 안전 지침 및 경고 지침에 유의하십시오.

6.1.1 배터리 삽입



경고

부상 위험 부상 위험!

- ▶ 배터리를 끼우기 전에 배터리의 접점 및 제품의 접점에 이물질이 남아 있지 않은지 확인하십시오.
- ▶ 배터리가 제대로 고정되었는지 확인하십시오.

1. 처음으로 사용하기 전, 배터리를 완전히 충전하십시오.
2. 배터리가 제품에 고정되는 소리가 들릴 때까지 미십시오.
3. 배터리가 정확하게 설치되어 있는지 점검하십시오.

6.1.2 배터리 제거

1. 배터리의 잠금 해제 버튼을 누르십시오.
2. 배터리를 기기에서 빼내십시오.



6.1.3 배터리 충전

1. 충전하기 전에 충전기의 사용 설명서를 읽으십시오.
2. 배터리 및 충전기의 접점이 청결하고 건조한 상태인지 확인하십시오.
3. 허용되는 충전기에서 배터리를 충전하십시오. → 페이지 135

6.1.4 측면 손잡이 장착

주의

부상위험 브레이커 점검 누락됨.

- ▶ 측면 손잡이가 정확하게 설치되고 올바르게 고정되어 있는지 확인하십시오.

1. 기기의 전원을 끄십시오.
2. 손잡이를 돌려서 측면 손잡이 홀더(조임 밴드)를 푸십시오.
3. 홀더(조임 밴드)를 앞쪽에서부터 척 아답타 위로 지정된 홈까지 미십시오.
4. 측면 손잡이를 원하는 위치로 설정하십시오.
5. 손잡이를 돌려서 측면 손잡이 홀더(조임 밴드)를 조이십시오.

6.1.5 출력 설정



배터리를 끼우면 제품은 항상 전출력으로 설정되어 있습니다.

1. "반출력 버튼" 을 누르십시오. 제품이 반출력으로 스위칭됩니다.
 - ▶ "반출력 표시" 가 켜집니다.
2. "반출력" 버튼을 다시 누르십시오. 제품이 전출력으로 스위칭됩니다.
 - ▶ "반출력 표시" 가 꺼집니다.

6.1.6 공구 삽입 / 분리

위험

화재위험 가열된 공구와 인화되기 쉬운 재료가 접촉했을 때 발생하는 위험.

- ▶ 가열된 공구를 인화되기 쉬운 재료 가까이에 두지 마십시오.


경고

부상위험 사용하면서 공구가 뜨거워질 수 있습니다.

- ▶ 공구 교체 시 보호장갑을 착용하십시오.



적합하지 않은 그리스를 사용하면 제품이 손상될 수 있습니다. Hilti의 순정 그리스만 사용하십시오.

1. 공구 비트에 그리스를 약간 바르십시오
 - ▶ Hilti의 순정 그리스만 사용하십시오. 적합하지 않은 그리스를 사용하면 제품이 손상될 수 있습니다.
2. 기능 선택 스위치를 "치줄링"  위치에 두십시오.
3. 공구 비트를 스톱 위치까지 척 아답타에 끼우고 장착하십시오.
4. 장착 후 공구를 잡아 당겨, 제대로 잠겨졌는지를 점검하십시오.
 - ▶ 제품이 작동 가능한 상태입니다.
5. 공구 잠금장치를 스톱 위치까지 뒤로 당겨 공구 비트를 빼내십시오.

6.2 작업

주의

부상위험 브레이커 점검 누락됨.

- ▶ 측면 손잡이가 정확하게 설치되고 올바르게 고정되어 있는지 확인하십시오.

본 문서 및 제품에 나와 있는 안전 지침 및 경고 지침에 유의하십시오.



6.3 치줄 각도 조정

주의

부상위험! 치줄링 방향 점검 생략

- ▶ "치줄 각도 조정하기" 위치에서 작업하지 마십시오. 스위치가 맞물려 고정될 때까지 기능 선택 스위치를 "치줄링" 위치에 두십시오.

치줄 각도를 (15° 단계로) 24가지의 다양한 위치에 둘 수 있습니다. 이를 통해 평치줄과 성형 치줄을 항상 최적의 작업위치에서 작동시킬 수 있습니다.

1. 기기의 전원을 끄십시오.
2. 기능 선택 스위치를 "치줄 각도 조정" 위치에 두십시오.
3. 치줄을 원하는 위치로 돌리십시오.
4. 기능 선택 스위치가 고정될 때까지 **T** 기호에 두십시오.
 - ▶ 제품이 작동 가능한 상태입니다.

6.3.1 치줄링

- ▶ 기능 선택 스위치를 "치줄링" **T** 위치에 두십시오.

제품을 항상 양손으로 꼭 잡으십시오. 제품을 깨끗하게 유지하고 오일 및 그리스가 묻지 않도록 하십시오.

작업 후 뜨거운 제품을 가연성 소재 위에 올려두지 마십시오. 소재에 불이 붙을 수 있습니다.

6.3.2 연속 작동 모드 ON/OFF

치줄링 작업에서 스위치ON한 상태에서 컨트롤 스위치를 잠글 수 있습니다.

1. 연속 작동 모드 잠금버튼을 앞쪽으로 미십시오.
2. 컨트롤 스위치를 완전히 끝까지 누르십시오.
 - ▶ 이제 본 제품은 연속 작동 모드에서 작동합니다.
3. 연속 작동 모드 잠금버튼을 뒤쪽으로 미십시오.
 - ▶ 제품이 꺼집니다.

7 관리 및 유지보수

경고

배터리가 끼워진 상태에서 부상 위험!

- ▶ 관리 및 수리 작업을 진행하기 전에 항상 배터리를 제거하십시오!

제품 관리

- 공구에 부착되어 있는 오염물질을 조심스럽게 제거하십시오.
- 오염물질이 있는 경우, 부드러운 마른 솔로 환기 슬롯을 조심스럽게 청소하십시오.
- 약간 물기가 있는 수건으로만 하우징을 청소해 주십시오. 플라스틱 부품을 손상시킬 수 있으므로 절대로 실리콘이 함유된 보호제를 사용하지 마십시오.
- 제품의 접점을 청소하려면 깨끗하고 마른 천을 사용하십시오.

리튬 이온 배터리 관리

- 환기 슬롯이 막힌 상태에서는 절대 배터리를 사용하지 마십시오. 부드러운 마른 솔로 환기 슬롯을 조심스럽게 청소하십시오.
- 배터리가 불필요하게 먼지 또는 오염물에 노출되지 않도록 하십시오. 배터리를 절대 습도가 높은 곳에 두지 마십시오(예: 물 속에 담그거나 비내리는 곳에 두는 행위).
배터리에 물이 들어가면, 손상된 배터리처럼 취급하십시오. 물이 들어간 배터리는 비가연성 용기에서 절연시킨 후, Hilti 서비스 센터에 문의해 주십시오.



- 배터리를 외부 오일 및 그리스가 묻지 않도록 깨끗하게 유지하십시오. 배터리에 불필요하게 먼지 또는 오염물이 쌓이지 않도록 하십시오. 배터리를 부드러운 마른 솔 또는 깨끗하고 마른 걸레로 닦아내십시오. 플라스틱 부품을 손상시킬 수 있으므로 절대로 실리콘이 함유된 보호제를 사용하지 마십시오. 배터리의 접점에 접촉하지 말고, 접점에서 공구측에 부착된 그리스를 제거하지 마십시오.
- 약간 물기가 있는 수건으로만 하우징을 청소해 주십시오. 플라스틱 부품을 손상시킬 수 있으므로 절대로 실리콘이 함유된 보호제를 사용하지 마십시오.

유지보수

- 눈에 보이는 모든 부품은 정기적으로 손상 여부를 점검하고, 조작용소가 문제 없이 작동하는지 점검하십시오.
- 손상되었거나 기능 장애가 있는 경우에는 제품을 작동하지 마십시오. 즉시 **Hilti** 서비스 센터에 제품 수리를 의뢰하십시오.
- 관리 및 수리 작업 후 모든 보호장치를 가져와 기능에 이상이 없는지 점검하십시오.

i 안전하게 작동하기 위해서는 순정품 예비 부품 및 소모품만 사용하십시오. **Hilti**에서 승인한 예비 부품, 소모품 및 액세서리는 **Hilti Store** 또는 **www.hilti.group**에서 확인할 수 있습니다.

8 충전식 공구 및 배터리 운반 및 보관

운반



주의

운반 시 돌발적으로 작동됨!

- ▶ 제품은 항상 배터리를 장착하지 않은 상태로 운반하십시오!
- ▶ 배터리를 분리하십시오.
- ▶ 배터리를 고정하지 않은 채로 운반해서는 절대 안 됩니다. 운반하는 도중 배터리에 과도한 충격을 받거나 진동이 발생하지 않게 하고 모든 전도성 소재 또는 다른 배터리로부터 분리시켜 다른 배터리 전극에 닿지 않고 단락이 발생하지 않게 하십시오. 배터리와 관련된 현지 운반 규정에 유의하십시오.
- ▶ 배터리는 우편을 통해 전달할 수 없습니다. 손상이 없는 배터리를 전송하고자 하는 경우 배송업체에 문의하십시오.
- ▶ 제품 및 배터리를 사용하기 전에 그리고 장시간 운반한 후에는 항상 손상 여부를 점검하십시오.

보관



경고

배터리 결함 또는 방전으로 인한 돌발적인 손상!

- ▶ 제품은 항상 배터리를 장착하지 않은 상태로 보관하십시오!
- ▶ 제품 및 배터리를 냉각 및 건조시켜 보관하십시오. 기술자료에 제시된 허용 온도 한계값에 유의하십시오.
- ▶ 배터리를 충전기에 보관하지 마십시오. 충전 후에는 항상 배터리를 충전기에서 분리하십시오.
- ▶ 배터리는 절대 직사광선이 들어오는 곳, 열원 위 또는 유리 뒤쪽에 보관하지 마십시오.
- ▶ 제품 및 배터리는 건조한 상태로 어린이나 외부인의 손이 닿지 않는 곳에 보관하십시오.
- ▶ 제품 및 배터리를 사용하기 전에 그리고 장시간 보관한 후에는 항상 손상 여부를 점검하십시오.

9 문제 발생 시 도움말

본 도표에 제시되어 있지 않거나 스스로 해결할 수 없는 문제가 발생한 경우 **Hilti** 서비스 센터에 문의해 주십시오.

9.1 고장진단

장애	예상되는 원인	해결책
타격이 되지 않음.	제품이 너무 차가움.	▶ 제품을 모재로 가져와서 공회전 상태로 작동시키십시오. 필요한 경우 함마링 장치가 작동될 때까지 과정을 반복하십시오.
배터리가 평소보다 빨리 방전됨.	배터리 상태가 최적이 아님.	▶ 배터리를 교체하십시오.
배터리를 밀어 넣을 때 "이중으로 찰칵하는 소리"가 들리지 않음.	배터리 래치 오염됨.	▶ 배터리 래치를 청소하고 배터리를 다시 끼우십시오.



장애	예상되는 원인	해결책
제품 전원이 자동으로 꺼짐.	과열방지장치 활성화.	ON/OFF 표시기가 깜박임. ▶ 컨트롤 스위치에서 손을 떼십시오. 제품을 냉각시키십시오. 컨트롤 스위치를 조작하십시오. 기기 부하를 줄이십시오.
제품 또는 배터리에서 과도한 열 발생.	전기적 결함.	▶ 즉시 제품의 전원을 끄십시오. 배터리를 제거한 후 배터리를 관찰하십시오. 배터리를 냉각시키십시오. Hilti 서비스센터에 문의하십시오.
	제품이 과부하됨(사용 한계 초과).	▶ 용도에 적합한 제품을 선택하십시오.
배터리에서 LED 표시되지 않음.	배터리가 완전하게 삽입되지 않음.	▶ 이중으로 찰카하는 소리가 들릴 때까지 배터리를 맞물려 고정시키십시오.
	배터리를 방전시키십시오.	▶ 배터리를 교체하고 방전된 배터리를 충전하십시오.
	배터리 과열 또는 과냉 상태.	▶ 배터리를 권장된 작동온도 상태로 유지합니다.
배터리에서 1개의 LED가 깜박임.	배터리를 방전시키십시오.	▶ 배터리를 교체하고 방전된 배터리를 충전하십시오.
	배터리 과열 또는 과냉 상태.	▶ 배터리를 권장된 작동온도 상태로 유지합니다.
배터리에서 4개의 LED가 깜박임.	제품이 잠깐 동안 과부하됨.	▶ 컨트롤 스위치에서 손을 떼고 스위치를 다시 조작하십시오.
	과열 방지 조치.	▶ 제품을 냉각시키고 환기 슬롯을 청소하십시오.
제품이 전출력으로 작동되지 않음.	컨트롤 스위치가 완전히 눌러지지 않음.	▶ 컨트롤 스위치를 완전히 끝까지 누르십시오.
	반출력 버튼 스위치 ON.	▶ "반출력" 버튼을 누르십시오.
드릴 비트가 잠금상태에서 풀리지 않음.	척 아답타를 완전히 뒤로 당기지 않았음.	▶ 공구 잠금장치를 스톱 위치까지 뒤로 당겨 공구를 빼내십시오.
	측면 손잡이가 정확하게 장착 안 됨.	▶ 측면 손잡이를 푼 다음, 조임 밴드와 측면 손잡이가 홀에 안착되도록 정확하게 조립하십시오.
제품이 작동하지 않음.	전원공급 중단 후에 전자식 작동금지가 활성화됨.	▶ 제품을 껐다가 다시 켜십시오.
서비스 표시기가 점등됨.	서비스 받을 시점에 도달함.	▶ Hilti 서비스 센터에 제품 수리를 의뢰하십시오.
서비스 표시기가 깜박임.	제품이 손상되었습니다.	▶ Hilti 서비스 센터에 제품 수리를 의뢰하십시오.
ON/OFF 표시기가 깜박임.	제품이 잠깐 동안 과부하됨.	▶ 컨트롤 스위치에서 손을 떼고 스위치를 다시 조작하십시오.
	과열 방지 조치.	▶ 제품을 냉각시키고 환기 슬롯을 청소하십시오.

10 폐기

Hilti 기기는 대부분 재사용이 가능한 소재로 제작되었습니다. 재활용을 위해 개별 부품을 분리하여 주십시오. **Hilti**는 대부분의 국가에서 재활용을 위해 노후기기를 수거해 갑니다. **Hilti** 고객 서비스센터 또는 판매 상담자에게 문의하십시오.



- ▶ 전동 공구, 전자식 기기 및 배터리를 일반 가정 쓰레기로 폐기하지 마십시오!



11 RoHS (유해물질 사용 제한 지침)

아래 링크에서 유해물질에 관한 도표를 확인할 수 있습니다. qr.hilti.com/r10130182.
RoHS 도표로 이어지는 링크는 본 문서 끝에 QR 코드 형식으로 제시되어 있습니다.

12 제조회사 보증

- ▶ 보증 조건에 관한 질문사항은 현지 Hilti 파트너사에 문의하십시오.

原廠操作說明

1 關於操作說明的資訊

1.1 關於此文件

- 初次使用前，請詳讀本操作說明。這是安全作業和使用無虞的先決條件。
- 請遵守本操作說明中與產品上的安全說明和警告。
- 操作說明應與產品一起保管，產品交予他人時務必連同本操作說明一併轉交。

僅適用於台灣

進口商: 喜利得股份有限公司

地址: 新北市板橋區

新站路16號24樓22041

電話: 0800-221-036

1.2 已使用的符號解釋

1.2.1 警告

警告您在操作或使用本產品時可能發生之危險。採用了以下標示文字：



危險

危險！

- ▶ 此標語警示會發生對人造成嚴重傷害甚至致死的危險情形。



警告

警告！

- ▶ 此標語警示會造成嚴重傷害甚至致死危險的潛在威脅。



注意

注意！

- ▶ 請小心會造成人員受傷或對設備及其他財產造成損害的潛在危險情況。

1.2.2 操作說明中的符號

本操作說明中採用以下符號：

	請遵照操作說明
	使用說明與其他資訊
	處理可回收的材料
	不可將電子設備與電池當作家庭廢棄物處置
	Hilti 鋰電池
	Hilti 充電器



1.2.3 圖解中的符號

圖解中採用了以下符號：

	號碼對應操作說明的開始處的圖解。
3	圖解中的編號表示重要的工作步驟或對工作步驟重要的元件。在文字中，這些工作步驟或元件以對應的數字明顯顯示，例如(3)。
	概覽圖解中使用位置編號，方便您對應到產品概覽段落中的圖例編號。
	本符號是為了讓您在操作本產品時可以注意某些重點。

1.3 產品專屬符號

1.3.1 產品上的符號

產品上會採用下列符號：

	鑿孔
	定位鑿子
	維修指示燈
\emptyset	直徑
n_0	無負載下額定轉速
/min	每分轉數
	直流電 (DC)
	本產品支援相容於iOS及Android平台的無線資料傳輸。
Li-Ion	鋰電池
	使用Hilti鋰電池類型系列。請遵守用途一節所提供之資訊。
	請勿將電池使用作為敲擊工具。
	避免電池掉落。不得使用遭受衝擊或其他原因遭成損壞的電池。

1.4 切換開與關

符號

	產品已開啟
	產品已關閉

1.5 產品資訊

產品是針對專業使用者設計，故僅經訓練、認可的人員可操作、維修與維護本產品。必須告知上述人員關於可能遭遇到的特殊危險。若因未經訓練人員操作錯誤或未依照其原本的用途操作，則本產品和它的輔助工具設備有可能會發生危險。

類型名稱和序號都標示於額定銘牌上。



- 在下方表格中填入序號。與Hilti維修中心或當地Hilti機關聯絡查詢產品相關事宜時，我們需要您提供產品詳細資訊。

產品資訊

鑿破機	TE 500-A36
產品代別	04
序號	

1.6 符合聲明

基於我們唯一的責任，本公司在此聲明本產品符合適用的指示或標準。本文件結尾處有符合聲明之副本。技術文件已歸檔：

Hilti Entwicklungsgesellschaft mbH | Tool Certification | Hiltistrasse 6 | 86916 Kaufering, Germany

2 安全性

2.1 一般電動機具安全警告

⚠ 警告 請詳閱本電動機具提供的所有安全警告、指示、圖解和說明。未能遵守以下所有指示可能會造成電擊事故、火災和 / 或嚴重的傷害。

妥善保存所有警示及說明，以供將來參考。

注意事項中的「機具」係指使用電源（有線）或電池（無線）的電動機具。

工作區域安全

- 請保持工作區的清潔與採光充足。雜亂而昏暗的工作區會導致意外發生。
- 勿在容易發生爆炸的環境中使用機具，例如有可燃性液體、瓦斯或粉塵存在的環境。機具產生的火花可能會引燃塵埃或煙霧。
- 操作機具時，請與兒童及旁人保持距離。注意力不集中時容易發生失控的情形。

電力安全

- 機具插頭與插座須能互相搭配。勿以任何方式改裝插頭。勿將任何變壓器插頭與與地面接觸（接地）的電動機具搭配使用。未經改裝的插頭以及能互相搭配的插座可減少發生電擊的危險。
- 避免讓身體碰觸到如管線、散熱器、爐灶與冰箱等與土地或地表接觸之物品。如果您的身體接觸到地表或地面，將增加電擊的危險。
- 請勿將機具曝露在下雨或潮濕的環境中。若水氣進入機具中將增加觸電的危險。
- 勿濫用電纜線。勿以電纜線吊掛、拖拉機具或拔下機具插頭。電纜線應避開熱氣、油、銳利的邊緣或移動性零件。電纜線損壞或纏繞會增加發生電擊事故的危險。
- 於室外操作機具時，須使用適用於戶外的延長線。使用適合戶外使用的延長線可降低觸電的風險。
- 如果無法避免在潮濕的地點操作機具，請使用漏電斷路器（RCD）保護電源供應器。使用漏電斷路器（RCD）可降低電擊的風險。

人員安全

- 操作機具時，請提高警覺，注意進行中的工作並善用常識。感到疲勞或受到藥物、酒精或治療的影響時勿使用機具。操作機具時稍不留神就可能造成嚴重的人員傷亡。
- 穿戴個人防護裝備。請隨時穿戴眼罩。適當使用防塵面罩、防滑鞋、安全帽及耳罩等安全防護配備可減少人員的傷害。
- 避免不經意的啟動。在接上電源或電池組、抬起或攜帶機具之前，務必確認開關處於關閉的位置。攜帶機具時，如果把手指放在開關上，或在開關開啟時，將機具插上插頭容易發生意外。
- 啟動機具前，應將所有調整鑰匙或扳手移開。將扳手或鑰匙留在機具的旋轉零件中可能會造成人員傷害。
- 勿將手伸出過遠。隨時站穩並維持平衡。這可讓您在意外情況發生時，對機具有較好的控制。
- 穿著適當服裝。請勿穿著寬鬆的衣服或佩戴珠寶。頭髮、衣服與手套應遠離移動性零件。移動性零件可能會夾到寬鬆的衣服、珠寶或長髮。
- 如果機具可連接吸塵裝置與集塵設備，請連接並適當使用這些設備。使用集塵裝置可降低與粉塵有關的危險。
- 請勿因頻繁而習慣使用機具便疏於遵守或忽略機具的安全規範。草率使用可能在轉眼間便造成嚴重的傷害。

機具使用與保養

- 不可強制使用機具。依據用途使用正確的機具。根據設計的速率使用機具可更快速安全地完成工作。
- 若開關無法啟動或關閉電動工具時，請勿使用電動工具。任何無法以開關控制的機具都很危險且需要維修。
- 在進行任何調整、更換配件、或貯放電動機具前，請先將插頭拔離插座和 / 或將電池組自電動機具卸下（如可拆卸）。此預防安全措施可降低機具意外啟動的風險。



- ▶ 將閒置的機具貯放在兒童拿不到的地方，勿讓不熟悉或未詳閱本說明的人員操作本機具。機具在未經訓練的使用者手中是很危險的。
- ▶ 維護機具與配件。請檢查移動性零件有無偏移或黏合的情形、零件有無破損，以及任何會影響機具運轉的狀況。如果機具受損，請先維修後再使用。很多意外便是由維護不當的機具造成的。
- ▶ 保持切割機具的銳利與清潔。具銳利切割邊緣的切割機具如果得到適當的維護，便較不會發生黏合的現象，且較容易控制。
- ▶ 遵守本指示說明使用機具、配件和工具組等，並考量工作條件與待進行的工作。將機具用在原目的之外之用途可能會造成危險。
- ▶ 保持握把與其表面的乾燥、清潔且不要讓上面出現油漬。握把及其表面濕滑會在意外情況中造成機具無法安全掌控。

電池機具的使用與保養

- ▶ 務必使用原廠指定的充電器進行充電。將適合特定類型電池的充電器使用在其他電池時，會有造成火災的危險。
- ▶ 務必使用機具特別指定的電池匣。使用其他的電池匣可能會造成受傷或火災。
- ▶ 電池匣未使用時，請將其遠離如迴紋針、錢幣、鑰匙、針、固定釘或其他會在電池兩極間形成連結的小型金屬物件。在電池兩極間建立短路可能會造成灼傷或火災。
- ▶ 若使用不當，可能會有液體由電池流出；請避免接觸該液體。若不慎接觸，請以清水沖洗。如果不小心讓液體接觸到眼睛，請立即尋求醫療援助。從電池中滲出的液體，可能會導致過敏或灼傷。
- ▶ 請勿使用損壞或改裝過的電池組或機具。受損或改裝過的電池可能會無法正常運作而造成起火、爆炸或受傷的風險。
- ▶ 請勿將電池組或機具暴露在火源或極端的溫度環境中。暴露在火源或溫度超過130° C (265 °F) 的環境下可能會造成爆炸。
- ▶ 請遵守充電操作說明且不要在說明所載的溫度範圍之外為電池組或機具充電。不當充電或在指定溫度範圍外充電均可能造成電池損壞並提高起火的風險。

維修服務

- ▶ 請將機具交給合格的維修人員進行維修，並使用相同的替代零件。這可確保維護機具安全。
- ▶ 請勿自行維修損壞的電池。損壞的電池僅可由製造商或授權的維修商進行維修。

2.2 電錘的安全注意事項

各種工作的安全操作說明

- ▶ 請配戴耳罩。暴露於噪音環境下會導致聽力受損。
- ▶ 請使用機具輔助握把。機具失控可能會導致人員受傷。
- ▶ 在執行配件工具可能會接觸到隱藏線路之工作時，請以握住絕緣握把的方式手持機具。若配件工具與帶電線路接觸，機具的金屬零件也會通電，而造成觸電的情況。

2.3 鑿破機的其他安全操作說明

人員安全

- ▶ 僅在本產品和配件能正常運轉時使用。
- ▶ 勿嘗試以任何方式改裝產品或配件。
- ▶ 往天花板、牆面及地板鑿孔時，請務必確認您有安全且堅固的站立點。若突然鑿穿會影響您的平衡！
- ▶ 若工作包含鑿穿作業，請於工件另一面一併採取適當的防護措施。鑿穿的碎片會掉落和 / 或造成他人受傷。
- ▶ 機具運轉時，您與附近的所有人都必須配戴合適的護目鏡及安全帽、聽力保護耳罩和呼吸保護口罩。
- ▶ 更換配件工具時，請穿戴防護手套。觸摸配件工具會造成割傷或灼傷。
- ▶ 穿戴護目鏡。飛散的碎片會傷到人體或眼睛。
- ▶ 研磨、切割和鑽孔時產生的粉塵可能含有危險的化學物質。例如：鉛或以鉛為基底的顏料；磚塊、混凝土和其他建材產品、天然石材和其他含矽酸鹽的產品；橡木、山毛櫸等特定木材以及化學處理的木材；石棉或含有石棉的物質。根據操作員工作時接觸的物質危險等級來決定操作員和其他人員暴露在該環境的程度。採取必要的措施，以將暴露相關條件維持在安全等級上，例如：使用吸塵系統或配戴合適的防護面罩。降低在該環境下的暴露程度的一般措施包括：
 - ▶ 工作區域保持良好通風
 - ▶ 避免長時間接觸粉塵
 - ▶ 清除臉部和身體上的粉塵
 - ▶ 穿著防護衣，用水和肥皂清洗裸露在外的身體部位
- ▶ 請經常休息，並活動您的手指以促進血液循環。長時間暴露在劇烈震動下會造成手指、手掌和手腕的血管或神經系統失調。



電力安全

- ▶ 開始工作前，請先檢查工作區域是否有隱藏的電纜線、瓦斯管或水管。電線、天然氣管線或水管若損壞，本產品外側上的金屬零件可能導致觸電或爆炸。

小心處理與使用電子機具

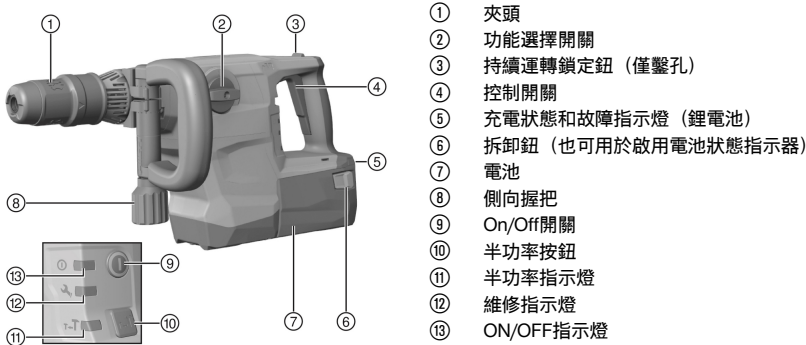
- ▶ 請等候本產品完全靜止再將其放下。

2.4 小心處理和使用電池

- ▶ 遵守適用於鋰電池之運送、存放與使用的特別指南。
- ▶ 請勿讓電池暴露在高溫下、讓陽光直接照射或接觸火焰。
- ▶ 請勿拆解、擠壓或焚燒電池，且不可將電池置放在溫度超過80°C (176°F) 的環境中。
- ▶ 請勿使用或充電受到機構性衝擊、從高處摔落或有損壞跡象之電池。在此情況下，務必聯絡Hilti維修中心。
- ▶ 若電池溫度過高無法觸摸，表示電池可能已經毀損，將電池放在清楚可見且沒有火災危險、遠離易燃材料的位置。讓電池冷卻。若一小時後電池溫度仍然過高無法觸摸，表示電池可能已經毀損。聯絡Hilti維修中心。

3 說明

3.1 產品總覽



- ① 夾頭
- ② 功能選擇開關
- ③ 持續運轉鎖定鈕（僅鑿孔）
- ④ 控制開關
- ⑤ 充電狀態和故障指示燈（鋰電池）
- ⑥ 拆卸鈕（也可用於啟用電池狀態指示器）
- ⑦ 電池
- ⑧ 側向握把
- ⑨ On/Off開關
- ⑩ 半功率按鈕
- ⑪ 半功率指示燈
- ⑫ 維修指示燈
- ⑬ ON/OFF指示燈

3.2 用途

本產品係具氣動鎚擊機制的充電式（電池動力）鑿破機。本產品可於石材上進行輕至一般鑿孔作業，及可進行混凝土表面拋光。

- ▶ 本產品限使用B 36系列Hilti鋰電池。
- ▶ 以上電池限使用C4/36系列Hilti電池充電器。

3.2.1 可能發生的誤用

- 本產品不適合用於金屬相關作業。
- 本產品不適合在潮濕環境下作業。

3.3 Active Vibration Reduction

本機具備主動減震（Active Vibration Reduction (AVR)）系統，可明顯減少震動。

3.4 維修指示燈

本產品配備維修指示燈LED。

3.4.1 MMI

狀態	意義
維修指示燈亮起。	維修時間已到。
維修指示燈閃爍。	請將產品交付Hilti維修中心進行維修。



狀態	意義
ON/OFF指示燈亮起。	產品已開啟
ON/OFF指示燈閃爍。	產品因短暫故障而關閉。
ON/OFF指示燈關閉。	產品已關閉。
半功率指示燈亮起。	產品以半功率運轉。
半功率指示燈熄滅。	產品以全功率運轉。

3.4.2 鋰電池電量顯示

鋰電池上的顯示幕會表示鋰電池的充電狀態和機具的功能故障。按下兩個電池拆卸鈕的其中一個後，將會顯示鋰電池的充電狀態。

狀態	意義
4個LED亮起。	充電狀態：75 %至100 %
3個LED亮起。	充電狀態：50 %至75 %
2個LED亮起。	充電狀態：25 %至50 %
1個LED亮起。	充電狀態：10 %至25 %
1個LED閃爍。	充電狀態：< 10 %
1個LED閃爍，產品無法正常運作。	電池過熱或已完全放電。
4個LED閃爍，產品無法正常運作。	機具已過載或過熱。

按下控制開關然後放開控制開關超過5秒後，將無法顯示電池充電狀態。
若電池充電狀態LED燈閃爍，請遵守「故障排除」章節所提供的指示。

3.5 配備及數量

鑿破機、側向握把、操作說明。

關於本產品，您可於當地www.hilti.group或網站查詢其他經過認證可搭配使用的系統產品：**Hilti Store**

4 技術資料

	TE 500-A36
額定電壓	36 V
重量 (依據EPTA程序01)	7.9 kg
單次衝擊力 (依據EPTA程序05)	7.8 J
夾頭	TE-Y
貯放溫度	-20 °C ... 70 °C
操作時的環境溫度	-17 °C ... 60 °C

4.1 噪音資訊和震動值 (依據EN 62841)

操作說明中所提供之音壓和震動值已參照標準測量，並可用來比較不同機具之噪音。它們也可作為噪音量的初步評估。

提供之資料表示機具主要應用時之數值。若機具應用於不同之用途，搭配不同的配件工具或在保養不良的情況下，其數據會有所不同。在作業過程中，這會大幅提高其噪音量。

當電子機具關閉，或開啟但未進行任何作業時也應列入考量，才能準確評估噪音量。在作業過程中，這會大幅降低其噪音量。

確認其他安全措施，以保護操作員不受噪音和 / 或震動影響，例如：保養機具與其配件工具、操作前保持雙手溫暖、作業型式之安排等。

噪音值量測標準依據EN 62841

	TE 500-A36
音壓級數 (LpA)	91 dB
無法判定的音壓級數 (KpA)	3 dB
聲功率級數 (LWA)	102 dB
無法判定的聲功率級數 (KWA)	3 dB



		TE 500-A36
混凝土鑿孔 ($a_{h, Cheq}$)	B 36/5.2	7.9 m/s ²
	B 36/9.0	7.4 m/s ²
無法判定 (K)		1.5 m/s ²

5 電池

電池操作電壓	36 V
操作時的環境溫度	-17 °C ... 60 °C
貯放溫度	-20 °C ... 40 °C
電池充電啟動溫度	-10 °C ... 45 °C

6 操作

6.1 工作場所的準備工作



進行調整或變更配件之前請先關閉產品或移除電池。

請遵守本文件中與產品上的安全說明和警告。

6.1.1 置入電池



警告

有受傷的危險 因短路或電池掉落！

- ▶ 置入電池前，請確認電池的接點及產品的接點上無任何異物。
 - ▶ 確認電池已確實咬合。
1. 初次使用前，請將電池完全充電。
 2. 將電池推入產品中，直到聽到卡入聲。
 3. 請檢查電池是否安裝牢固。

6.1.2 卸下電池

1. 按下電池拆卸鈕。
2. 請將電池自充電器卸下。

6.1.3 為電池充電

1. 電池充電前，請閱讀充電器的操作手冊。
2. 確認電池的接點和充電器的接點清潔且乾燥。
3. 請使用經認可的充電器對電池充電。→ 頁次 146

6.1.4 安裝側向握把



注意

有受傷的危險！無法掌控鑿破機。

- ▶ 檢查側向握把是否正確安裝且緊固。
1. 關閉機具。
 2. 旋轉握把以鬆開側向握把夾緊帶。
 3. 將側向握把夾緊帶由前方繞過夾頭，然後推入提供的凹槽中。
 4. 將側向握把調整至所需的位置。
 5. 旋轉握把以鎖緊側向握把夾緊帶。

6.1.5 設定功率級數



電池已插入後，產品預設會保持設定在全功率。



1. 按下「半功率按鈕」。產品會以半功率運轉。
 - ▶ 「半功率指示燈」亮起。
2. 再次按下「半功率按鈕」。產品會以全功率運轉。
 - ▶ 「半功率指示燈」熄滅。

6.1.6 安裝 / 卸下配件工具

危險

有火災的危險！高溫配件工具和易燃物質接觸的危險。

- ▶ 不得將高溫的配件工具放置在易燃物質上。

警告

有受傷的危險！機具使用後會變熱。

- ▶ 更換機具時請配戴手套。



使用不適合的潤滑劑會造成產品損壞。務必使用原廠Hilti潤滑劑。

1. 在配件工具的連接頭添加少量的潤滑劑。
 - ▶ 務必使用原廠Hilti潤滑劑。使用錯誤的油脂會造成機具損壞。
2. 將功能選擇開關設定為「鑿孔」位置 **T**。
3. 盡可能將配件工具推入夾具內，直到咬合為止。
4. 裝上配件工具後，請將其抓住並拉動以確認是否已咬合至定位。
 - ▶ 產品已可以使用。
5. 將夾頭環拉回直到卸下配件工具為止。

6.2 工作類型

注意

有受傷的危險！無法掌控鑿破機。

- ▶ 檢查側向握把是否正確安裝且緊固。

請遵守本文件中與產品上的安全說明和警告。

6.3 鑿子定位

注意

有受傷的危險！無法掌控鑿子方向。

- ▶ 當選擇開關設定為「鑿子定位」時，請勿操作機具。將功能選擇開關轉到「鑿孔」位置。



鑿子可設定在24段不同檔位（每15°一段）。這可確保扁鑿和各形狀鑿子可以設定在最佳操作位置。

1. 關閉機具。
2. 將功能選擇開關設定至「鑿子定位」位置 **↻**。
3. 將鑿子轉到需要的位置。
4. 將功能選擇開關設定至本符號：**T**直到其咬合為止。
 - ▶ 產品已可以使用。



6.3.1 鑿孔

- ▶ 將功能選擇開關設定為「鑿孔」位置 **T**。



使用雙手緊握機具。請保持產品清潔，避免沾到油與油脂。



產品使用後會產生高溫，請勿將其置於易燃物質上。這些材料中可能會引燃。

6.3.2 切換連續運轉開關 **S**



鑿孔時，可將控制開關鎖定在「開啟」的位置。

1. 將連續運轉鎖定開關往前推。
2. 將控制開關完全壓下。
 - ▶ 產品會以連續運轉模式運轉。
3. 將持續運轉鎖定鈕向後推。
 - ▶ 產品即關閉。

7 維護及保養



警告

電池裝入時有受傷的危險！

- ▶ 進行維護及保養前，請務必卸下電池！

產品保養

- 小心地清除頑強的髒污。
- 若有，請使用乾燥的軟刷子小心地清潔通風口。
- 僅可使用微濕的軟布清潔機殼。請勿使用含矽膠的清潔或亮光劑，因為可能會造成塑膠零件損壞。
- 請使用乾淨的乾布清潔產品的接點。

鋰電池的保養

- 通風口堵塞時請勿使用電池。請使用乾燥的軟刷子小心地清潔通風口。
- 請避免電池暴露在粉塵或髒污的環境之中。請勿讓電池接觸過高的濕氣（例如：浸入水中或淋雨）。電池若濕透，請將該電池視為已受損。請將電池隔絕在不可燃的容器內，並洽詢Hilti維修中心。
- 避免電池沾上油脂。避免讓電池上積聚粉塵或髒污。請使用乾燥的軟刷或乾淨的乾布清潔電池。請勿使用含矽膠的清潔或亮光劑，因為可能會造成塑膠零件損壞。
請勿觸摸電池的觸點或從觸點上去除廠塗敷的油脂
- 僅可使用微濕的軟布清潔機殼。請勿使用含矽膠的清潔或亮光劑，因為可能會造成塑膠零件損壞。

維護

- 定期檢查外部零件和控制元件有無損壞跡象，並確認它們運作正常。
- 如果有損壞跡象及 / 或任何零件功能故障，請不要運行本產品。請將產品交付Hilti維修中心進行維修。
- 維護及修復作業後，裝上所有保護裝置並檢查功能是否正常。



為確保運作的安全及可靠性，請務必使用原廠Hilti備件與耗材。您可以在Hilti Store或在以下網站選購Hilti認可的備用零件、耗材和配件：www.hilti.group

8 充電式機具和電池的運輸與存放

搬運



注意

搬運時意外啟動！

- ▶ 搬運產品時務必卸下電池！
- ▶ 取出電池。
- ▶ 切勿散裝運輸電池。運送過程中，應保護電池避免衝擊與震動並與導電物質或其他電池隔離，以免因與電池端子接觸而造成短路。請遵守您所在地當地的電池運輸規範。



- ▶ 請勿以郵寄方式遞送電池。若要運送未損壞之電池，請洽詢運送服務商。
- ▶ 每次使用前以及長途運輸前後請檢查本產品和電池是否受損。

設備的貯放



警告

瑕疵或漏液的電池所造成的意外損害！

- ▶ 存放產品時，一律不可插入電池！
-
- ▶ 請將本產品和電池存放在陰涼及乾燥處。請遵守技術性數據中所規定的溫度極限值。
 - ▶ 請勿將電池貯放在充電器中。完成充電程序後，請將電池從充電器取出。
 - ▶ 請勿將電池貯放在有日光直射處、熱源上或玻璃後方。
 - ▶ 請將本產品和電池存放在兒童或未授權人員無法觸及的地點。
 - ▶ 每次使用前以及長時間存放前後請檢查本產品和電池是否受損。

9 故障排除

若您遇到未列出的問題或是無法自行排除的問題，請聯絡Hilti維修中心。

9.1 故障排除

故障	可能原因	解決方法
無銼鑽作業。	產品溫度過低。	▶ 緩慢並小心的將產品與工作表面接觸，開啟並讓其以怠速運轉。如果需要，請重複此程序直到銼擊機制開始運作。
電池較一般電池壽命短。	電池電力非處於最佳狀態。	▶ 更換電池。
電池咬合時沒有發出兩聲「喀啦」聲。	電池上的卡榫太髒。	▶ 清潔卡榫並重新安裝電池。
產品會自動關閉。	過載保護系統已啟動。	ON/OFF指示燈閃爍。 ▶ 鬆開控制開關。讓產品冷卻。再次按下控制開關。減少機具上的負載。
機具或電池變得很燙。	電力故障。	▶ 立即關閉產品。請取下電池並置於可隨時觀察的位置。待其冷卻後。聯絡Hilti維修中心。
	產品已超載（超出其應用限制）。	
電池上的LED無回應。	電池沒有完全置入。	▶ 壓下電池直到聽見咬合時發出的兩聲喀啦聲。
	電池已放電。	▶ 更換電池，並對無電量的電池再次充電。
	該電池過熱或過冷。	▶ 將電池置於建議操作溫度環境內。
電池上的1個LED閃爍。	電池已放電。	▶ 更換電池，並對無電量的電池再次充電。
	該電池過熱或過冷。	▶ 將電池置於建議操作溫度環境內。
電池上的4個LED閃爍。	產品瞬間過載。	▶ 鬆開控制開關，接著再按一次。 ▶ 讓產品冷卻並清潔通風口。
	過熱防護措施。	
產品無法達到全功率。	未完全按下控制開關。	▶ 按壓控制開關直到可以運轉為止。
	半功率按鈕已按下。	▶ 按下「半功率」按鈕。
彈圈夾具無法從夾頭上鬆開。	夾頭未完全拉回。	▶ 將夾頭拉回直到移除配件工具為止。 ▶ 鬆開側向握把並重新安裝，讓夾緊帶與側向握把咬合在凹槽中。
	側向握把未正確安裝。	
產品無法啟動。	電源中斷後電子重新啟動聯鎖裝置啟用。	▶ 將產品先關閉再開啟。



故障	可能原因	解決方法
維修指示燈亮起。	維修時限到期。	▶ 請將產品交付Hilti維修中心進行維修。
維修指示燈閃爍。	產品故障。	▶ 請將產品交付Hilti維修中心進行維修。
ON/OFF指示燈閃爍。	產品瞬間過載。 過熱防護措施。	▶ 鬆開控制開關，接著再按一次。 ▶ 讓產品冷卻並清潔通風口。

10 廢棄設備處置

Hilti機具或設備所採用的材料大部分均可回收再利用。材料在回收前必須正確地分類。在許多國家中，您可以將舊機具及設備送回Hilti進行回收。詳情請洽Hilti維修中心，或當地Hilti代理商。



- ▶ 不可將電動工具、電動裝置和電池當成一般垃圾丟棄！

11 RoHS (有害物質限制指令)

按一下本連結可前往危險物質表：qr.hilti.com/r10130182。

您可在文件最後找到QR碼格式的RoHS表連結。

12 製造商保固

- ▶ 如果您對於保固條件有任何問題，請聯絡當地Hilti代理商。

Hilti Taiwan Co., Ltd.

24F., No. 16, Xinzhan Rd., Banqiao Dist., New Taipei City 220, Taiwan (R.O.C.)

Tel. 0800-221-036

原版操作说明

1 关于本操作说明的信息

1.1 关于本操作说明

- 首次使用或操作产品前，先阅读本操作说明。这是安全、无故障操作和使用产品的先决条件。
- 请注意本操作说明中以及产品上的安全说明和警告。
- 请务必将本操作说明与本产品保存在一起，确保将操作说明随产品一起交给他人。

1.2 所用标志的说明

1.2.1 警告

警告是为了提醒您在处理或使用此产品时会发生的危险。使用以下信号词：

-危险-

危险！

- ▶ 用于让人们能够注意到会导致严重身体伤害或致命的迫近危险。

-警告-

警告！

- ▶ 用于提醒人们注意可能导致严重或致命伤害的潜在危险。

-小心-

小心！

- ▶ 用于提醒人们注意可能造成人身伤害、设备损坏或其他财产损失的潜在危险情况。



1.2.2 操作说明中的符号

本操作说明中使用下列符号：

	遵守操作说明
	使用说明和其他有用信息
	处理可回收材料
	不得将电气设备和电池作为生活垃圾处置
	Hilti 锂离子电池
	Hilti 充电器

1.2.3 图示中的符号

图示中使用了下列符号：

	这些编号指本操作说明开始处的相应图示。
	图示中的编号表示重要的操作步骤或对操作步骤重要的部件。这些操作步骤或部件在文本中使用相应的编号突出显示，例如 (3) 。
	位置编号被用于概览图中并表示产品概览段落中的图例编号。
	这些符号旨在提醒您在操作本产品时要特别注意的某些要点。

1.3 与产品相关的标志

1.3.1 产品使用的符号

产品使用的符号如下：

	凿边
	凿子定位
	维护指示灯
	直径
n_0	无负荷下的额定转速
/min	每分钟转数
	直流电 (DC)
	本产品支持无线数据传输，兼容 iOS 和 Android 平台。
Li-Ion	锂离子电池
	使用 Hilti 锂离子电池类型系列。请遵守“合规使用”一章中所述信息。
	切勿将电池用作敲击工具。
	请勿让电池掉落。切勿使用受到撞击或有任何损坏的电池。



1.4 打开和关闭

符号

	产品打开
	产品关闭

1.5 产品信息

产品设计适用于专业用户，只有经过专门训练的授权人员才允许操作、维修和维护本产品。必须将任何可能的危险专门告知该人员。不按照既定用途使用或由未经培训的人员不正确地使用本产品及其辅助设备可能会带来危险。

型号名称和序列号印在铭牌上。

▶ 在下表中填写序列号。在联系 Hilti 维修中心或当地 Hilti 机构询问产品时，将要求您提供产品的详细信息。

产品信息

破碎机	TE 500-A36
分代号	04
序列号	

1.6 符合性声明

按照我们单方面的责任，我们声明本产品符合下列适用指令和标准：一致性声明副本位于本文档结尾处。

技术文档在此处归档：

Hilti Entwicklungsgesellschaft mbH | Tool Certification | Hiltistrasse 6 | 86916 Kaufering, Germany

2 安全

2.1 一般电动工具安全警告

警告 请阅读本电动工具随附的所有安全警告、说明、图示和技术规范。不遵守下列所有操作说明可能会导致电击、火灾和/或严重人身伤害。

请保存所有安全警告和操作说明，以供将来参考。

在所有下列的警告中术语“电动工具”指市电驱动(有线)电动工具或电池驱动(无线)电动工具。

工作区域安全

- ▶ 保持工作区域清洁和良好照明。杂乱和黑暗的区域容易导致事故。
- ▶ 不要在爆炸性环境中操作电动工具，例如有易燃液体、气体或灰尘。电动工具会产生可以点燃这些灰尘或烟雾的火花。
- ▶ 在操作电动工具时，要令儿童和旁观者远离工作现场。万一分心，可能会使您失去对电动工具的控制。

电气安全

- ▶ 电动工具(设备)插头必须匹配电源插座。切勿以任何方式改动插头。对于接地的电动工具(设备)，不要使用任何适配器插头。使用未经改动的插头和匹配的电源插座可以大大减少电击危险。
- ▶ 避免人体接触接地表面，如管道、散热片和冰箱。如果您的身体接地，则会增加电击危险。
- ▶ 不要将电动工具暴露在雨水或潮湿环境中。电动工具进水将会增加电击危险。
- ▶ 不要滥用电缆。切勿使用电缆运送、拉动或拔出电动工具。保持电缆远离高温、油、锋利边缘或运动部件。电缆损坏或缠绕会增加电击危险。
- ▶ 当在户外操作电动工具时，应使用经认可适合户外操作的加长电缆。使用适合户外使用的电缆可减少电击危险。
- ▶ 如果在潮湿环境下操作电动工具是不可避免的，应使用剩余电流动作保护器(RCD)。使用 RCD 可减小电击危险。

人身安全

- ▶ 保持警觉，注意您正在进行的工作，并在操作电动工具的过程中，应利用自己的判断能力。当您疲劳或受到药物、酒精或医疗影响时，请不要使用电动工具。当操作电动工具时，瞬间的分心都可能导致严重的人身伤害。
- ▶ 使用个人防护装备。一定要戴上护目装置。安全装置，诸如适当条件下使用防尘面具、防滑安全鞋、安全帽、听力防护等装置能减少人身伤害。
- ▶ 防止电动工具意外启动。在连接至电源和/或电池组、拿起或搬运电动工具之前，应确保开关处于“关闭”位置。将手指放在开关上搬运电动工具或在开关处于“打开”位置时接通电源，都可能会导致事故发生。



- ▶ 在打开电动工具之前，必须拿掉任何调整键或扳手。让扳手或调整键留在电动工具的旋转部件上可能会导致人身伤害。
- ▶ 不要操之过急。应时刻保持正确的站姿和平衡。这在意外情况下能够更好地控制电动工具。
- ▶ 应确保正确着装。不要穿着松垮的衣服或佩戴首饰。让头发和衣服远离运动部件。松垮的衣服、首饰或长发会卡在运动部件中。
- ▶ 如果提供有助于连接除尘和集尘设施的装置，应确保将它们连接好并正确使用。使用除尘装置可以减少与灰尘相关的危险。
- ▶ 经常使用工具能令您获得较高的熟练度，但不能因此掉以轻心和忽视工具安全准则。一次不慎操作就会在瞬间导致重伤。

电动工具的使用和维护

- ▶ 不要强制使用电动工具。针对您的应用场合使用正确的电动工具。正确的电动工具在其额定设计值范围内将能够更好和更安全地工作。
- ▶ 如果通过开关不能使其打开和关闭，则请不要使用电动工具。任何不能通过开关进行控制的电动工具都是危险的，必须对其进行修理。
- ▶ 在进行任何调整、更换配件或存放电动工具之前，应从电源上断开插头和/或从电动工具上拆下电池组（若可拆卸）。此预防性安全措施可减少意外启动电动工具的危险。
- ▶ 将不用的电动工具存放在儿童拿不到的地方，并且不要让不熟悉电动工具或其操作说明的人员操作电动工具。未经培训的用户操作电动工具是危险的。
- ▶ 维护电动工具和配件。检查是否存在运动部件失调或卡滞、部件断裂和任何其它影响电动工具操作的情况。如果存在损坏，则在使用之前应修理电动工具。许多事故都是由于电动工具维护不良造成的。
- ▶ 保持切削工具锋利和清洁。带锋利切削刃的切削工具如果维护得当，很少会发生卡滞且更容易控制。
- ▶ 按照使用说明书，考虑作业条件和进行的作业来使用电动工具、附件和工具的刀头等。将电动工具用于指定用途以外的场合会导致危险。
- ▶ 使手柄和抓握面保持干燥、清洁且没有油脂。如果手柄和抓握面打滑，将无法在意外情况下安全操作或控制本工具。

无绳（电池操作）工具/设备的使用和维护

- ▶ 充电时只能使用制造商指定的充电器。适合某种类型电池组的充电器如果被用于为另一类型电池组充电，则可能会带来火灾危险。
- ▶ 只能使用专用电池组为电动工具供电。使用任何其它电池组可能会带来人身伤害和火灾。
- ▶ 当电池组不用时，应使其远离其它金属物体，例如纸夹、硬币、钥匙、钉子、螺钉或其它小的金属物体，以免造成短路。如果电池端子被短路，则会造成人员烧伤或火灾。
- ▶ 如果持续滥用电池，则可能会造成液体从电池中喷射出来；注意避免接触到液体。如果意外接触到液体，应用水冲洗。如果液体接触眼睛，除了用大量清水冲洗外，还应立即就医。从电池中喷射出来的液体会导致疼痛或灼伤。
- ▶ 不要使用损坏或改装过的电池组或工具。损坏或改装过的电池会造成不可预测的情形，导致火灾、爆炸或受伤风险。
- ▶ 不要将电池组或工具暴露在明火或过高的温度中。暴露在明火或超过 130 °C (265 °F) 温度中可能导致爆炸。
- ▶ 遵守所有充电说明，且不要在使用说明规定的温度范围之外对电池组或工具充电。充电不正确或在规定温度范围之外充电会损坏电池并增加火灾风险。

保养

- ▶ 将您的电动工具送交专业维修人员，使用同样的备件进行修理。这样才可确保维持电动工具（设备）的安全性。
- ▶ 切勿擅自维修损坏的电池组。仅可由制造商或授权服务提供商执行电池组的维修。

2.2 锤子安全说明

适用于所有作业类型的安全说明

- ▶ 戴上护耳装置。如果直接暴露在噪音中，则会导致听力受损。
- ▶ 使用随工具提供的辅助手柄。对工具失去控制可能会导致人身伤害。
- ▶ 如果配套工具的工作区域可能接触到隐藏的线束，只能握住电动工具的绝缘手柄表面进行操作。如果配套工具接触到带电电线，电动工具的金属部件也将带电，从而导致电击。

2.3 破碎机的其它附加安全说明

人身安全

- ▶ 只有产品和附件处于良好的技术状态时才能使用。
- ▶ 切勿以任何方式擅自改动或改装本产品或附件。



- ▶ 当对天花板、墙壁和地板进行凿边时，请务必确保采用安全、稳妥的工作姿势。突然的穿透操作会影响您的身体平衡！
- ▶ 当执行需要穿透的作业时，在工件对侧采取适当的安全措施。被钻下的工件部分可能会弹出或掉落并伤害到其他人。
- ▶ 当使用本电动工具时，您和附近的任何其他人员都必须戴上适当的护目装置、安全帽、护耳装置和呼吸防护装置。
- ▶ 在更换配套工具时戴上防护手套。触碰配套工具会导致割伤和烫伤。
- ▶ 请戴上护目装置。飞溅的碎片会导致身体和眼睛受伤。
- ▶ 磨削、抛光、切割和钻孔过程中产生的粉尘可能包含有害化学物质。一些例子包括：铅或铅基涂料；砖、混凝土、其他砖石产品、天然石材和其他含硅酸盐的产品；一些木材，例如橡木、山毛榉和化学处理过的木材；石棉或含石棉的材料。根据所处理材料的危险等级，确定操作员和附近人员的暴露程度。采取必要的措施将暴露保持在安全水平内，例如使用集尘系统或佩戴适当的呼吸防护装置。减少暴露的一般措施包括：
 - ▶ 在通风良好的区域进行操作，
 - ▶ 避免长时间接触粉尘，
 - ▶ 清除脸部和身体上的粉尘，
 - ▶ 穿着防护服并用肥皂和水清洗暴露的部位。
- ▶ 适当休息并活动手指，以改善手指的血液循环。工作期间长时间暴露于强烈振动环境中可能导致手指、手掌和手腕部位血管和神经系统紊乱。

电气安全

- ▶ 开始工作前，检查工作区域是否有隐蔽的电缆或天然气和水管。如果电缆、燃气管或水管有损坏，则产品的外部金属部件可能会导致电击或爆炸。

谨慎操作和使用电动工具

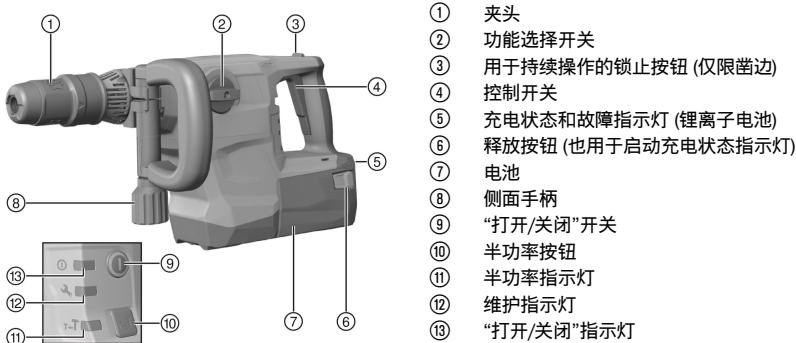
- ▶ 等待产品完全停止后再将其放下。

2.4 小心处理和使用电池

- ▶ 遵守适用于锂离子电池的运输、存放和使用的专用指南。
- ▶ 不要将电池暴露在高温、直射阳光或明火环境下。
- ▶ 请勿拆开、挤压或烧毁电池，不要让它们暴露在超过 80°C (176°F) 的高温下。
- ▶ 如果电池受到过物理冲击、从高处跌落过或表现出损坏迹象，则不得使用电池或为其充电。在这种情况下，请务必联系您的 **Hilti 维修中心**。
- ▶ 如果电池发热烫手，则可能有故障。请将电池放在醒目且无火灾风险的地方，并与易燃物品保持足够距离。让电池自行冷却。如果一小时后电池仍然发热烫手，则表示存在故障。联系 **Hilti 维修中心**。

3 说明

3.1 产品概述 1



3.2 预期用途

本文所述产品是一款配备气动锤击机构的无绳 (电池供电) 破碎机。本产品设计用于砖石建筑上的轻至中等负荷凿边作业以及混凝土表面的修整工作。

- ▶ 请仅将 **Hilti B 36** 系列锂离子电池与本产品一起使用。



- ▶ 请仅为这些电池使用 C4/36 系列中的 Hilti 电池充电器。

3.2.1 可能的误用

- 该产品不适用于加工危险材料。
- 该产品不适用于在潮湿环境下工作。

3.3 Active Vibration Reduction

本工具配备有 Active Vibration Reduction (AVR) 系统，能够显著减小振动。

3.4 维护指示灯

产品配备了一个维护指示灯 LED。

3.4.1 MMI

状态	含义
维护指示灯亮起。	到了该进行维护的时候。
维护指示灯闪烁。	将本产品交由 Hilti 维修中心修复。
“打开/关闭”指示灯亮起。	产品打开
“打开/关闭”指示灯闪烁。	产品由于瞬态故障关闭。
“打开/关闭”指示灯熄灭。	产品关闭。
半功率指示灯亮起。	产品以半功率工作。
半功率指示灯熄灭。	产品以全功率工作。

3.4.2 锂离子电池状态显示

锂离子电池充电状态和电动工具的故障由锂离子电池上的显示屏进行指示。按下两个电池释放按钮中的一个后，可以显示锂离子电池的充电状态。

状态	含义
4 个 LED 亮起。	充电状态：75% 至 100%
3 个 LED 亮起。	充电状态：50% 至 75%
2 个 LED 亮起。	充电状态：25% 至 50%
1 个 LED 亮起。	充电状态：10% 至 25%
1 个 LED 闪烁。	充电状态：< 10%
1 个 LED 闪烁，产品未处于正常工作状态。	电池过热或完全放电。
4 个 LED 闪烁，产品未处于正常工作状态。	电动工具过载或过热。



按下控制开关 5 秒，松开开关之后，将不会显示电池的充电状态。

如果电池显示屏 LED 闪烁，请按照“故障排除”章节中提供的说明进行操作。

3.5 供应的部件

破碎机、侧面手柄、操作说明。

经批准可以与本产品搭配使用的其它系统产品，可以在您当地的 www.hilti.group 购买或访问 Hilti Store 在线订购

4 技术数据

	TE 500-A36
额定电压	36 V
重量 (按照 EPTA 程序 01)	7.9 kg
单次冲击能量 (按照 EPTA 标准 05)	7.8 J
夹头	TE-Y
存放温度	-20 °C ... 70 °C
工作环境温度	-17 °C ... 60 °C



4.1 噪音信息和振动值按照 EN 62841 标准

这些说明中给出的声压和振动值按照标准化测试的要求测得，可用于比较一种电动工具与另一种电动工具。它们还可用于初步评价受振动影响的程度。

提供的数据代表本电动工具的主要应用。但是，如果将电动工具用于不同的应用、使用不同的配套工具或维护不良，则数据可能不同。这可能会显著增加操作者在整个工作期间受振动影响的程度。

对受振动影响程度的准确估计还应考虑当关闭电动工具或当它运行但实际未进行工作时的情况。这可能会显著减小操作者在整个工作期间受振动影响的程度。

此外，应确定附加安全措施，以保护操作者免受噪音和/或振动影响，例如：正确维护电动工具和配套工具、保持双手温暖、合理安排工作方式。

噪音排放值 (按照 EN 62841 标准)

	TE 500-A36
声压级 (LpA)	91 dB
声压级的不确定性 (KpA)	3 dB
声功率级 (LWA)	102 dB
声音功率级的不确定性 (KWA)	3 dB

总振动值 (按照 EN 62841 标准)

		TE 500-A36
在混凝土中凿边 ($a_{h, CHeq}$)	B 36/5.2	7.9 m/s ²
	B 36/9.0	7.4 m/s ²
不确定性 (K)		1.5 m/s ²

5 电池

电池工作电压	36 V
工作环境温度	-17 °C ... 60 °C
存放温度	-20 °C ... 40 °C
电池充电起始温度	-10 °C ... 45 °C

6 操作

6.1 工作现场的准备工作



在进行调节或更换配件前，请关闭产品或取出电池。

请遵守本文档中以及产品上的安全说明和警告。

6.1.1 插入电池



-警告-

人身伤害的危险 短路或电池掉落会带来人身伤害的危险！

- ▶ 装入电池之前，确保电池和产品上的触点上均无异物。
- ▶ 确保电池正确嵌入。

1. 在首次使用电池之前，要给电池完全充电。
2. 将电池推入产品，直至听到卡止声。
3. 检查并确认电池已可靠就位。

6.1.2 拆卸电池

1. 按下电池释放按钮。
2. 将电池从工具中取出。

6.1.3 给电池充电

1. 为电池充电之前，请阅读充电器的操作说明。
2. 确保电池和充电器上的触点均清洁、干燥。



3. 使用认可的充电器为电池充电。 → 页码 156

6.1.4 安装侧面手柄

-小心-

人身伤害的危险！失去对破碎机的控制。

▶ 检查并确认侧面手柄已正确安装和可靠固定。

1. 关闭电动工具。
2. 通过转动手柄握柄释放侧面手柄夹紧带。
3. 将侧面手柄夹紧带越过夹头从前面滑入提供的凹槽中。
4. 将侧面手柄设置至预期位置。
5. 通过转动手柄握柄紧固侧面手柄夹紧带。

6.1.5 设置功率级



插入电池后，产品在默认情况下始终设为全功率。

1. 按下“半功率按钮”。本产品以半功率运行。
 - ▶ “半功率指示灯”亮起。
2. 再次按下“半功率按钮”。本产品以全功率运行。
 - ▶ “半功率指示灯”熄灭。

6.1.6 插入/拆卸配套工具

-危险-

着火危险！存在高温配套工具与高度易燃材料接触的风险。

▶ 不要将高温配套工具放到高度易燃材料上。

-警告-

人身伤害的危险！工具会因使用而变得较热。

▶ 更换工具时，戴上防护手套。



使用不合适的润滑脂会损坏本产品。只能使用原装 Hilti 润滑脂。

1. 在配套工具的连接端涂抹少量润滑脂。
 - ▶ 只能使用原装 Hilti 润滑脂。使用错误的润滑脂可能会导致产品损坏。
2. 将功能选择开关设置到“凿边”位置 。
3. 将配件工具推入夹头中并推到底（直至它接合）。
4. 安装配套工具后，请务必握住并拉动它，确认其已可靠接合。
 - ▶ 本产品处于备用状态。
5. 向后拉动夹头环，直到拉不动为止，然后拆下配件工具。

6.2 工作类型

-小心-

人身伤害的危险！失去对破碎机的控制。

▶ 检查并确认侧面手柄已正确安装和可靠固定。

请遵守本文档中以及产品上的安全说明和警告。


6.3 凿子定位

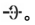
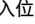
-小心-

人身伤害的危险！失去对凿子方向的控制。


▶ 当选择开关被设置到“凿子定位”位置时，不要操作工具。将功能选择开关转到“凿边”位置。





 可以将凿子设置到 24 个不同位置 (以 15° 为增量)。这样可确保总是可以将平头和成形凿子设置到最佳工作位置。

1. 关闭电动工具。
2. 将功能选择开关设置到“凿子定位”位置 。
3. 将凿子旋转至期望的位置。
4. 将功能选择开关设置到该符号： 直到它接合入位。
 - ▶ 本产品处于备用状态。


6.3.1 凿边

- ▶ 将功能选择开关设置到“凿边”位置 。

 用双手牢牢持握产品。使产品保持清洁且没有油和油脂。

 如果产品在作业完成后仍然灼热，请勿将其置于易燃材料上。这些材料会被引燃。

6.3.2 打开和关闭连续操作

 当凿边时，可以将控制开关锁止在“On” (打开) 位置。

1. 向前推动连续操作锁止按钮。
2. 完全按下控制开关。
 - ▶ 本产品随后以连续操作模式运行。
3. 向后推动连续操作锁止按钮。
 - ▶ 本产品关闭。

7 维护和保养

-警告-

插入电池时存在人身伤害危险！

- ▶ 执行维护和保养任务之前，请务必先取出电池。

工具的保养

- 请小心去除顽固的污垢。
- 如果有污垢，请用干燥的软毛刷小心地清洁通风孔。
- 请仅使用微湿的抹布清洁外壳。不要使用含硅清洁剂，否则可能腐蚀塑料件。
- 请使用洁净干燥的抹布来清洁产品的接头。

锂离子电池的保养

- 切勿使用通风槽堵塞的电池。用干燥的软毛刷小心地清洁通风槽。
- 避免不必要地将电池暴露在粉尘或污垢中。切勿将电池暴露在高湿度的环境中 (例如将其浸在水中或放在雨中)。如果电池浸湿，请如处理损坏的电池那样对其进行处理。将其隔离在不可燃的容器中，然后联系 **Hilti** 维修中心。
- 确保电池远离油和油脂。切勿让不必要的粉尘或脏污积聚在电池上。用干燥的软毛刷或干燥柔软的布清洁电池。不要使用含硅清洁剂，否则可能腐蚀塑料件。请勿触摸电池触点或从触点上去除出厂涂的油脂。
- 请仅使用微湿的抹布清洁外壳。不要使用含硅清洁剂，否则可能腐蚀塑料件。

维护

- 定期检查所有可见部件和控制器是否出现损坏迹象，确保其全部正常工作。
- 如果发现产品有损坏和/或有功能故障，请不要使用。立即将本产品交给 **Hilti** 维修中心修复。
- 清洁和维护之后，安装所有护板或保护装置并检查其功能是否正常。



i 为确保安全和可靠的操作，仅使用 Hilti 原装备件和耗材。经 Hilti 许可与产品搭配使用的备件、耗材和附件可到您当地的 **Hilti Store** 购买或访问：www.hilti.group

8 电池型工具和电池的运输及存储

运输

⚠ -小心-

运输途中的意外启动！

▶ 运输产品前务必将电池取出！

- ▶ 取下电池。
- ▶ 切勿松散、未加保护地运输电池。在运输过程中，应保护电池免受过度冲击或振动影响，并将其与任何导电材料或其它电池分开（因为它们可能会接触到电池端子并导致短路）。请遵守当地的电池运输规定。
- ▶ 请勿以邮寄方式运送电池。有关如何运送完好电池的说明，请咨询您的发货商。
- ▶ 每次使用前以及长时间运输前后都要检查产品和电池是否损坏。

存放

⚠ -警告-

故障或泄漏的电池会导致意外损坏！

- ▶ 仅可在未插入电池的情况下存放产品！
- ▶ 请将产品和电池存放到凉爽干燥的地方。请遵守技术数据中规定的温度极限值。
- ▶ 请勿将电池存放在充电器中。充电过程结束后请始终将电池从充电器中取出。
- ▶ 切勿将电池存放在阳光下、热源上或玻璃后。
- ▶ 请将本产品与电池存放在儿童或非授权人员无法接近的位置。
- ▶ 每次使用前以及长时间存放前后都要检查产品和电池是否损坏。

9 故障排除

如果您碰到的问题未在此表中列出或您无法自己实施补救措施，请联系 **Hilti** 服务部门。

9.1 故障排除

故障	可能原因	解决方案
没有锤击作用。	产品过冷。	▶ 使产品与工作面接触，将其打开并空转。必要时，重复该步骤，直到锤击机构开始工作。
电池比平常更快耗尽。	电池状况不是最佳。	▶ 更换电池。
未听到电池接合的“双咔嚓声”。	电池上的固定凸耳脏污。	▶ 清洁固定凸耳，然后重新安装电池。
产品立即关闭。	过载保护系统激活。	“打开/关闭”指示灯闪烁。 ▶ 释放控制开关。使产品冷却。再次按下控制开关。降低工具的负载。
电动工具或电池过热。	电气故障。	▶ 立即关闭本产品。取出电池并仔细观察。使其冷却下来。与 Hilti 中心联系。
	产品过载 (超出应用极限)。	▶ 选择适合预期用途的产品。
电池上的 LED 没有响应。	电池未完全插入。	▶ 推入电池，直到听到其接合的双咔嚓声。
	电池放电。	▶ 更换电池，并对已放电电池充电。
	电池过热或过冷。	▶ 将电池调整至推荐的工作温度。
电池上的 1 个 LED 闪烁。	电池放电。	▶ 更换电池，并对已放电电池充电。
	电池过热或过冷。	▶ 将电池调整至推荐的工作温度。



故障	可能原因	解决方案
电池上的 4 个 LED 闪烁。	产品暂时过载。	▶ 释放控制开关，然后再次将其按下。
	防止过热。	▶ 使产品冷却下来，然后清洁出风口。
本产品不能达到全功率。	没有完全按下控制开关。	▶ 尽可能按下控制开关。
	半功率按钮接合。	▶ 按下“半功率”按钮。
插入工具不能从夹头上释放。	夹头未完全向后拉回。	▶ 向后拉动夹头，直到拉不动为止，然后拆下配套工具。
	没有正确安装侧面手柄。	▶ 释放侧面手柄，然后正确地重新安装，使夹紧带和侧面手柄接合在凹槽中。
本产品不启动。	在电源中断之后电子重新启动联锁装置启动。	▶ 关闭产品然后再次打开。
维护指示灯显示。	已达到维护限制时间。	▶ 将本产品交由 Hilti 维修中心修复。
维护指示灯闪烁。	本产品有故障。	▶ 将本产品交由 Hilti 维修中心修复。
“打开/关闭”指示灯闪烁。	产品暂时过载。	▶ 释放控制开关，然后再次将其按下。
	防止过热。	▶ 使产品冷却下来，然后清洁出风口。

10 废弃处置

大部分用于 Hilti 工具和设备生产的材料是可回收利用的。在可以回收之前，必须正确分离材料。在很多国家，您的旧工具、机器或设备可送至 Hilti 进行回收。敬请联系 Hilti 服务部门或您的喜利得公司代表获得更多信息。



- ▶ 不要将电动工具、电子设备和电池扔进家庭垃圾中！

11 RoHS (有害物质限制)

单击链接跳转到有害物质表：qr.hilti.com/r10130182。

文档末尾以二维码形式提供指向 RoHS 表的链接。

12 制造商保修

- ▶ 如对保修条件有任何疑问，请联系您当地的 Hilti 代表。



EC Declaration of Conformity | UK Declaration of Conformity



Manufacturer:
Hilti Corporation
Feldkircherstraße 100
9494 Schaan | Liechtenstein

UK Importer:
Hilti (Gt. Britain) Limited
No. 1 Circle Square, 3 Symphony Park
Manchester, England, M1 7FS

TE 500-A36 (04)

Serial Numbers: 1-99999999999

2006/42/EC | Supply of Machinery (Safety) Regulations 2008

EN 62841-1:2015, AC:2015

EN IEC 62841-2-6:2020/A11:2020

2014/30/EU | Electromagnetic Compatibility Regulations 2016

EN IEC 55014-1:2021

EN IEC 55014-2:2021

2011/65/EU | The Restriction of the Use of Certain Hazardous Substances in Electrical and Electronic Equipment Regulations 2012

2000/14/EC | Noise Emission in the Environment by Equipment for use Outdoors Regulations 2001

Details to 2000/14/EC | Noise Emission in the Environment by Equipment for use Outdoors Regulations 2001:

Measured sound power level L_{WA} : 99 dB/1pW

Guaranteed sound power level, L_{WAd} : 101 dB/1pW

Conformity assessment procedure: 2000/14/EC Annex VI | Noise Emission in the Environment by Equipment for use Outdoors Regulations 2001, Schedule 9

EU Notified Body:

TÜV NORD CERT GmbH
Am TÜV 1, 45307 Essen, Germany (CE 0044)

UK Approved Body:

HORIBA MIRA Certification Ltd
Watling Street, Nuneaton, Warwickshire CV10 0TU (No 0888)

Schaan, 16.03.2023

Dr. Tahar Zrilli
Head of Quality and Process Management
Business Area Electric Tools & Accessories

Edward-Louis Przybyłowicz
Head of BU Power Tool & Accessories
Business Area Electric Tools & Accessories



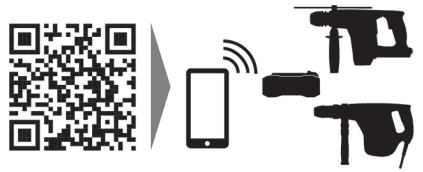
RoHS



qr.hilti.com/r10130186



Hilti Corporation
LI-9494 Schaan
Tel.:+423 234 21 11
Fax:+423 234 29 65
www.hilti.group



2240497