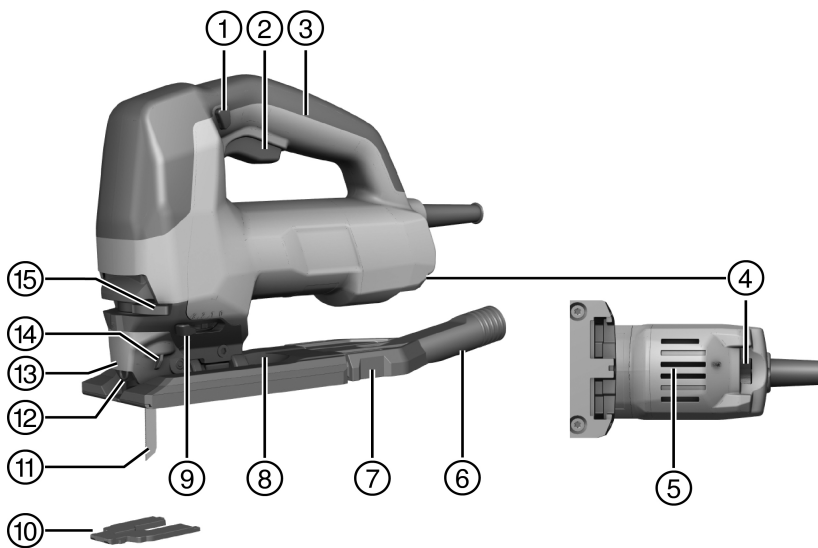
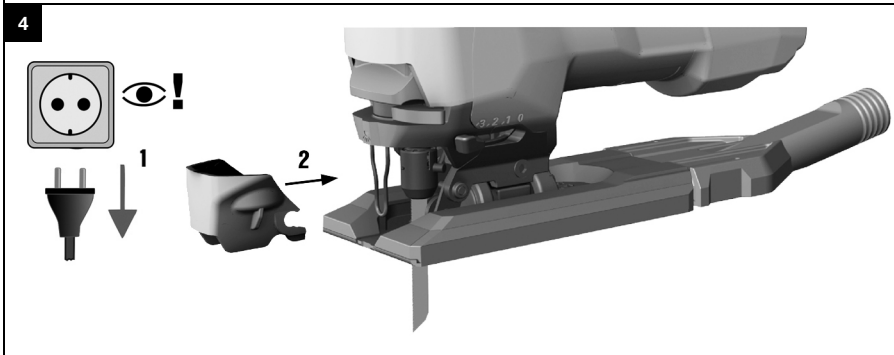
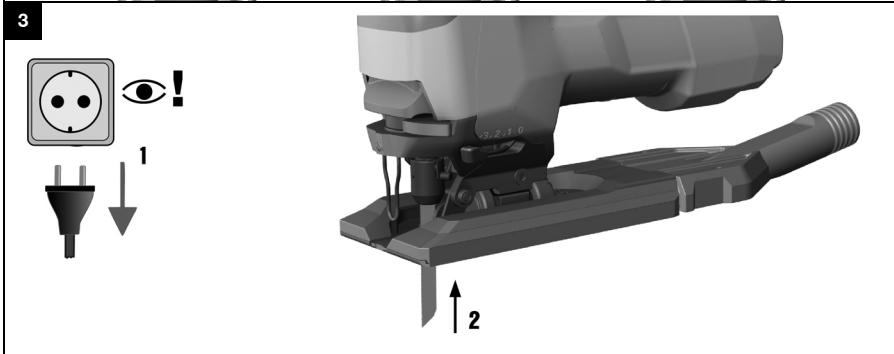
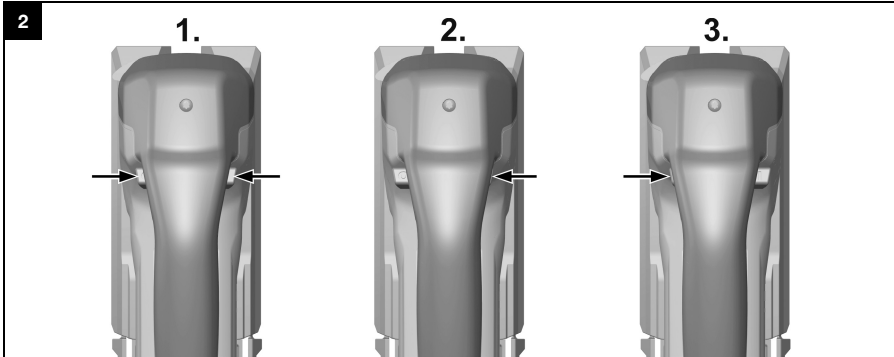




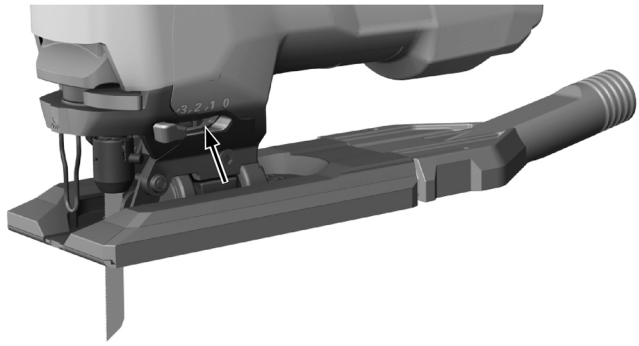
SJD 6

English	1
Español	11
Português	22
Русский	33
Українська	45
Қазақ	57
Български	68
Română	79
Ελληνικά	90
Türkçe	102
عربي	113
日本語	124
한국어	134
繁體中文	143
中文	152

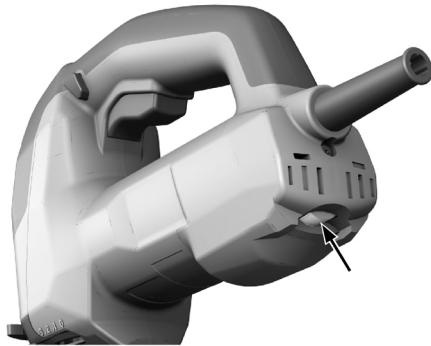




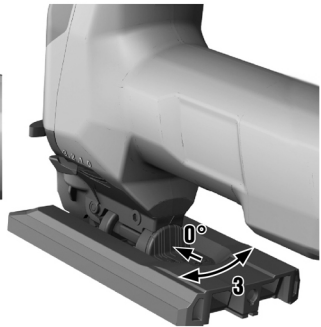
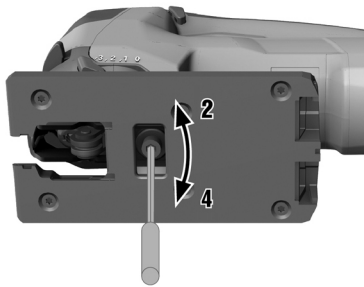
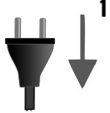
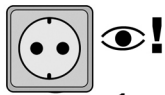
6



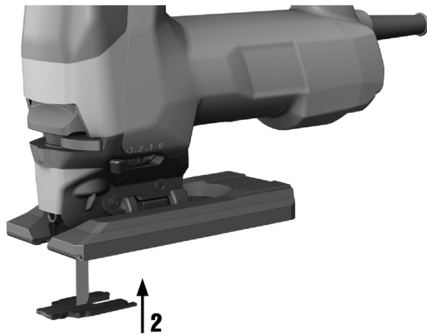
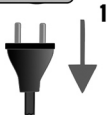
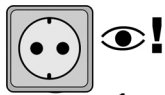
7



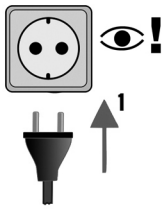
8



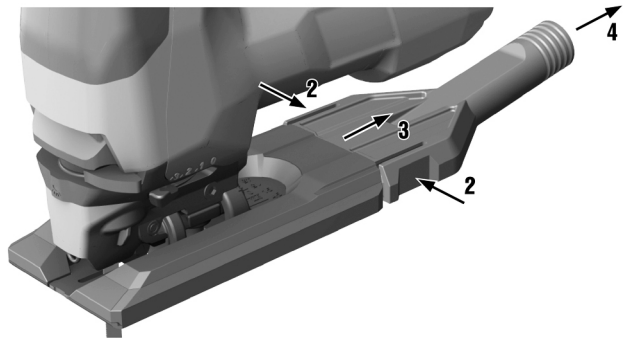
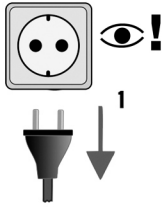
9



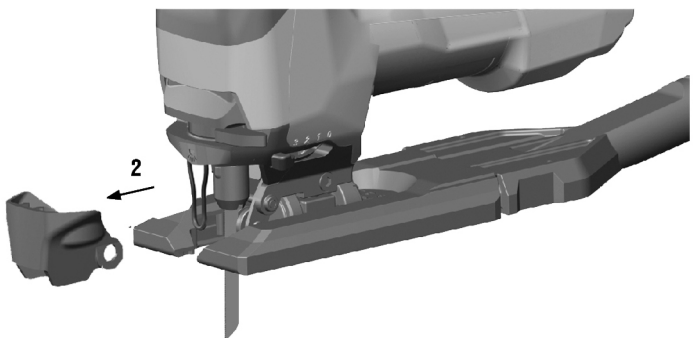
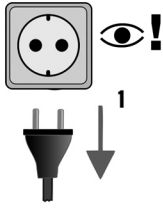
10



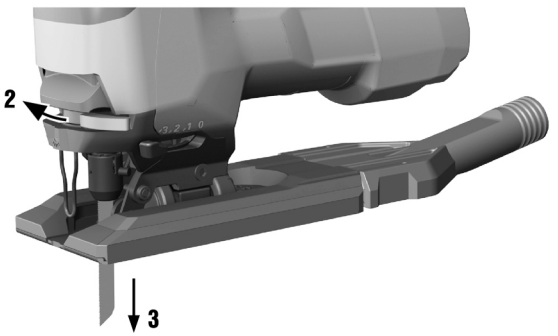
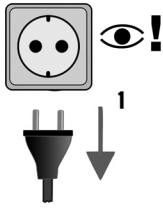
11



12



13



SJD 6

en	Original operating instructions	1
es	Manual de instrucciones original	11
pt	Manual de instruções original	22
ru	Перевод оригинального руководства по эксплуатации	33
uk	Оригінальна інструкція з експлуатації	45
kk	Түпнұсқа пайдалану бойынша нұсқаулық	57
bg	Оригинално Ръководство за експлоатация	68
ro	Manual de utilizare original	79
el	Μετάφραση οδηγιών χρήσης από το πρωτότυπο	90
tr	Orijinal kullanım kılavuzu	102
ar	دليل الاستعمال الأصلي	113
ja	オリジナル取扱説明書	124
ko	오리지널 사용 설명서	134
zh	原始操作說明	143
cn	原版操作说明	152

Original operating instructions

1 Information about the documentation

1.1 About this documentation

- Read this documentation before initial operation or use. This is a prerequisite for safe, trouble-free handling and use of the product.
- Observe the safety instructions and warnings in this documentation and on the product.
- Always keep the operating instructions with the product and make sure that the operating instructions are with the product when it is given to other persons.

1.2 Explanation of symbols used

1.2.1 Warnings

Warnings alert persons to hazards that occur when handling or using the product. The following signal words are used:

DANGER

DANGER !

- ▶ Draws attention to imminent danger that will lead to serious personal injury or fatality.

WARNING

WARNING !

- ▶ Draws attention to a potential threat of danger that can lead to serious injury or fatality.

CAUTION

CAUTION !

- ▶ Draws attention to a potentially dangerous situation that could lead to slight personal injury or damage to the equipment or other property.

1.2.2 Symbols in the documentation

The following symbols are used in this document:

	Read the operating instructions before use.
	Instructions for use and other useful information
	Dealing with recyclable materials
	Do not dispose of electric equipment and batteries as household waste

1.2.3 Symbols in the illustrations

The following symbols are used in illustrations:

	These numbers refer to the corresponding illustrations found at the beginning of these operating instructions
	The numbering reflects the sequence of operations shown in the illustrations and may deviate from the steps described in the text
	Item reference numbers are used in the overview illustrations and refer to the numbers used in the product overview section
	This symbol is intended to draw special attention to certain points when handling the product.



1.3 Product-dependent symbols

1.3.1 Symbols on the product

The following symbols are used on the product:

n_0	Stroke rate under no load
	Wireless data transfer

1.4 Product information

products are designed for professional users and only trained, authorized personnel are permitted to operate, service and maintain the products. This personnel must be specifically informed about the possible hazards. The product described and its ancillary equipment can present hazards if used incorrectly by untrained personnel or if used not in accordance with the intended use.

The type designation and serial number are printed on the type identification plate.

- ▶ Write down the serial number in the table below. Always quote this information when you contact a Hilti representative or Hilti Service to inquire about the product.
- ▶ Write down the serial number in the table below. Always quote this information when you contact a Hilti representative or Hilti Service to inquire about the product.

Product information

Orbital-action jig saw	SJD 6
Generation	01
Serial no.	

1.5 Declaration of conformity

We declare, on our sole responsibility, that the product described here complies with the applicable directives and standards. A copy of the declaration of conformity can be found at the end of this documentation.

The technical documentation is filed here:

Hilti Entwicklungsgesellschaft mbH | Tool Certification | Hiltistrasse 6 | 86916 Kaufering, Germany

2 Safety

2.1 General power tool safety warnings

⚠ WARNING Read all safety warnings, instructions, illustrations and specifications provided with this power tool. Failure to follow all instructions listed below may result in electric shock, fire and/or serious injury. **Save all warnings and instructions for future reference.**

The term "power tool" in the warnings refers to your mains-operated (corded) power tool or battery-operated (cordless) power tool.

Work area safety

- ▶ **Keep work area clean and well lit.** Cluttered or dark areas invite accidents.
- ▶ **Do not operate power tools in explosive atmospheres, such as in the presence of flammable liquids, gases or dust.** Power tools create sparks which may ignite the dust or fumes.
- ▶ **Keep children and bystanders away while operating a power tool.** Distractions can cause you to lose control.

Electrical safety

- ▶ **Power tool plugs must match the outlet. Never modify the plug in any way. Do not use any adapter plugs with earthed (grounded) power tools.** Unmodified plugs and matching outlets will reduce risk of electric shock.
- ▶ **Avoid body contact with earthed or grounded surfaces, such as pipes, radiators, ranges and refrigerators.** There is an increased risk of electric shock if your body is earthed or grounded.
- ▶ **Do not expose power tools to rain or wet conditions.** Water entering a power tool will increase the risk of electric shock.
- ▶ **Do not abuse the cord. Never use the cord for carrying, pulling or unplugging the power tool. Keep cord away from heat, oil, sharp edges or moving parts.** Damaged or entangled cords increase the risk of electric shock.



- ▶ **When operating a power tool outdoors, use an extension cord suitable for outdoor use.** Use of a cord suitable for outdoor use reduces the risk of electric shock.
- ▶ **If operating a power tool in a damp location is unavoidable, use a residual current device (RCD) protected supply.** Use of an RCD reduces the risk of electric shock.

Personal safety

- ▶ **Stay alert, watch what you are doing and use common sense when operating a power tool. Do not use a power tool while you are tired or under the influence of drugs, alcohol or medication.** A moment of inattention while operating power tools may result in serious personal injury.
- ▶ **Use personal protective equipment. Always wear eye protection.** Protective equipment such as a dust mask, non-skid safety shoes, hard hat or hearing protection used for appropriate conditions will reduce personal injuries.
- ▶ **Prevent unintentional starting. Ensure the switch is in the off-position before connecting to power source and/or battery pack, picking up or carrying the tool.** Carrying power tools with your finger on the switch or energising power tools that have the switch on invites accidents.
- ▶ **Remove any adjusting key or wrench before turning the power tool on.** A wrench or a key left attached to a rotating part of the power tool may result in personal injury.
- ▶ **Do not overreach. Keep proper footing and balance at all times.** This enables better control of the power tool in unexpected situations.
- ▶ **Dress properly. Do not wear loose clothing or jewellery. Keep your hair and clothing away from moving parts.** Loose clothes, jewellery or long hair can be caught in moving parts.
- ▶ **If devices are provided for the connection of dust extraction and collection facilities, ensure these are connected and properly used.** Use of dust collection can reduce dust-related hazards.
- ▶ **Do not let familiarity gained from frequent use of tools allow you to become complacent and ignore tool safety principles.** A careless action can cause severe injury within a fraction of a second.

Power tool use and care

- ▶ **Do not force the power tool. Use the correct power tool for your application.** The correct power tool will do the job better and safer at the rate for which it was designed.
- ▶ **Do not use the power tool if the switch does not turn it on and off.** Any power tool that cannot be controlled with the switch is dangerous and must be repaired.
- ▶ **Disconnect the plug from the power source and/or remove the battery pack, if detachable, from the power tool before making any adjustments, changing accessories, or storing power tools.** Such preventive safety measures reduce the risk of starting the power tool accidentally.
- ▶ **Store idle power tools out of the reach of children and do not allow persons unfamiliar with the power tool or these instructions to operate the power tool.** Power tools are dangerous in the hands of untrained users.
- ▶ **Maintain power tools and accessories. Check for misalignment or binding of moving parts, breakage of parts and any other condition that may affect the power tool's operation. If damaged, have the power tool repaired before use.** Many accidents are caused by poorly maintained power tools.
- ▶ **Keep cutting tools sharp and clean.** Properly maintained cutting tools with sharp cutting edges are less likely to bind and are easier to control.
- ▶ **Use the power tool, accessories and tool bits etc. in accordance with these instructions, taking into account the working conditions and the work to be performed.** Use of the power tool for operations different from those intended could result in a hazardous situation.
- ▶ **Keep handles and grasping surfaces dry, clean and free from oil and grease.** Slippery handles and grasping surfaces do not allow for safe handling and control of the tool in unexpected situations.

Service

- ▶ **Have your power tool serviced by a qualified repair person using only identical replacement parts.** This will ensure that the safety of the power tool is maintained.

2.2 Safety instructions for reciprocating saws

- ▶ **Hold the power tool by insulated gripping surfaces, when performing an operation where the cutting accessory may contact hidden wiring or its own cord.** Cutting accessory contacting a "live" wire may make exposed metal parts of the power tool "live" and could give the operator an electric shock.
- ▶ **Use clamps or another practical way to secure and support the workpiece to a stable platform.** Holding the workpiece by hand or against your body leaves it unstable and may lead to loss of control.



2.3 Additional safety instructions

Personal safety

- ▶ Use the tool only when it is in technically faultless condition.
- ▶ Never tamper with or modify the tool in any way.
- ▶ Always hold the power tool with both hands on the grips provided. Keep the grips clean and dry.
- ▶ Suitable protective glasses, ear protection and protective gloves must be worn while the tool is in use.
- ▶ Wear protective gloves when changing the accessory tool. Touching the accessory tool presents a risk of injury (cuts or burns).
- ▶ Wear eye protection. Flying fragments present a risk of injury to the body and eyes.
- ▶ Before beginning the work, check the hazard classification of the dust that will be produced. Use an industrial vacuum cleaner with an officially approved protection classification in compliance with locally applicable dust protection regulations.
- ▶ Make sure that the workplace is well ventilated and, where necessary, wear a respirator appropriate for the type of dust generated. Contact with or inhalation of the dust may cause allergic reactions and/or respiratory or other diseases to the operator or bystanders. Certain kinds of dust are classified as carcinogenic such as oak and beech dust, especially in conjunction with additives for wood conditioning (chromate, wood preservative). Material containing asbestos may be handled only by specialists.
- ▶ Take breaks between working and do physical exercises to improve the blood circulation in your fingers. Exposure to vibration during long periods of work can lead to disorders of the blood vessels and nervous system in the fingers, hands and wrists.

Electrical safety

- ▶ Before beginning work, check the working area for concealed electric cables or gas and water pipes. External metal parts of the power tool may give you an electric shock if you damage an electric cable accidentally.

Careful handling and use of electric tools

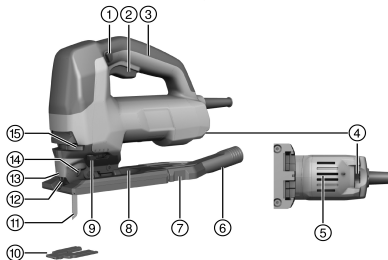
- ▶ Secure the workpiece. A workpiece clamped in a vice or secured by some other clamping device is more secure than when held only by hand.

Special safety instructions for jig saws

- ▶ Always guide the product away from your body when working with it.
- ▶ Never position your hands ahead of or on the saw blade.
- ▶ Never cut into unknown materials and keep the line of cut above and below the workpiece free of obstacles.
- ▶ Never reach or grip below the workpiece while cutting.

3 Description

3.1 Product overview



- ① Lockbutton
- ② On/off switch
- ③ Grip
- ④ Stroke rate regulator thumbwheel
- ⑤ Air vents
- ⑥ Suction adapter
- ⑦ Catches
- ⑧ Base plate
- ⑨ Lever for orbital action
- ⑩ Anti-splinter insert
- ⑪ Saw blade
- ⑫ Contact guard
- ⑬ Guard
- ⑭ Blade holder
- ⑮ Saw blade release lever



3.2 Intended use

The product described is a hand-held, electrically powered orbital-action jig saw. It is designed for cutting plastic, wood and metal materials, drywall board and gypsum fiberboard.

The product is equipped with a removable connector for an optional vacuum cleaner / dust removal hose. This connector is designed to fit standard suction hoses. In order to connect the suction hose to the product, use of a suitable adapter may be necessary.

The tool may be operated only when connected to a power source providing a voltage and frequency in compliance with the information given on the type identification plate.

- ▶ Use this product only with saw blades equipped with a T-shank.

3.3 Possible misuse

- Use of the product to cut off tree branches or to cut the trunk of a tree is not permissible.
- Use of the product to cut hazardous materials is not permissible.
- Use of the product in a damp or wet environment is not permissible.

3.4 Dust blower

The dust blower directs a jet of air toward the saw blade in order to keep the cutting line free of dust.

3.5 Stroke rate

The stroke rate can be adjusted by turning the thumbwheel. Position 1 corresponds to 800 strokes per minute and position 6 corresponds to 3000 strokes per minute.

Depending on how far the on/off switch is pressed, the stroke rate begins at 75 strokes per minute and increases to the stroke rate set by the thumbwheel.

3.6 4 orbital-action settings

The 4 orbital-action settings allow cutting performance and quality of cut to be adjusted to suit the material to be cut. The orbital-action adjustment lever is used to set the power tool to one of the 4 settings.

The lower the orbital-action setting, the finer and cleaner the cut edges will be. The optimum setting can be determined by carrying out practical tests.

Status	Meaning
Position 0	No orbital action
Position 1	Low orbital action
Position 2	Medium orbital action
Position 3	High orbital action

3.7 Lockbutton

The lockbutton has three positions.

1. The middle position is the normal position: The lockbutton can be seen on the left and on the right. In this position, for example, the stroke rate can be adjusted.
The on/off switch can be pressed and released.
2. The lockbutton can be seen only on the left: Transport position (the tool cannot start)
The on/off switch is locked and cannot be pressed.
3. The lockbutton can be seen only on the right: After the tool has been switched on (on/off switch fully pressed), the lockbutton can be pushed to the right to lock the switch in the "on" position. To release the lock, press the on/off button again.

3.8 Anti-splinter insert

The product can be equipped with an anti-splinter insert.

The anti-splinter insert helps prevent splintering on the surface of wood materials when cutting.

3.9 Items supplied

Orbital-action jig saw with saw blade, guard, dust removal adapter, anti-splinter insert, operating instructions, hex key.



4 Technical data

4.1 Orbital-action jig saw

i When powered by a generator or transformer, the generator or transformer's power output must be at least twice the rated input power shown on the rating plate of the power tool. The operating voltage of the transformer or generator must always be within +5% and -15% of the rated voltage of the power tool.

The information given applies to a rated voltage of 230 V. The data may vary in the event of deviations from the rated voltage and for country-specific versions. Please refer to the power tool's type identification plate for details of its voltage, frequency, current and input power ratings.

	SJD 6
Rated power input	850 W
Weight in accordance with EPTA procedure 01	2.4 kg
Stroke rate under no load	80 /min ... 3,000 /min
Stroke length	28 mm
Maximum cutting performance in wood	150 mm
Maximum cutting performance in aluminum	25 mm
Maximum cutting performance in unalloyed steel	10 mm
Cutting angle (left/right)	0°, 15°, 30°, 45°
Suction adapter outside diameter	27.5 mm

4.2 Noise information and vibration values in accordance with EN 62841

The sound pressure and vibration values given in these instructions were measured in accordance with a standardized test and can be used to compare one power tool with another. They can also be used for a preliminary assessment of exposure.

The data given represent the main applications of the power tool. However, if the power tool is used for different applications, with different accessory tools, or is poorly maintained, the data can vary. This can significantly increase exposure over the total working period.

An accurate estimation of exposure should also take into account the times when the tool is switched off, or when it is running but not actually being used for a job. This can significantly reduce exposure over the total working period.

Identify additional safety measures to protect the operator from the effects of noise and/or vibration, for example: maintaining the power tool and accessory tools, keeping the hands warm, organization of work patterns.

Noise emission values

	SJD 6
Sound power level (L_{WA})	100.5 dB(A)
Uncertainty for the sound power level (K_{WA})	5 dB(A)
Sound pressure level (L_{pA})	89.5 dB(A)
Uncertainty for the sound pressure level (K_{pA})	5 dB(A)

Total vibration

	SJD 6
Vibration emission value for sawing wood sheets ($a_{h,B}$)	9.7 m/s ²
Vibration emission value for sawing sheet metal ($a_{h,M}$)	8.0 m/s ²
Uncertainty (K)	1.5 m/s ²



5 Using extension cords

WARNING

A damaged supply cord presents a hazard! Do not touch the supply cord or extension cord if damaged while working. Disconnect the supply cord plug from the power outlet.

- ▶ Check the appliance's supply cord at regular intervals and have it replaced by a qualified specialist if found to be damaged.
-
- Use only extension cords of a type approved for the application and with conductors of adequate gauge (cross section). The power tool may otherwise suffer a drop in performance and the extension cord may overheat.
 - Check the extension cord for damage at regular intervals.
 - Replace damaged extension cords.
 - When working outdoors, use only extension cords that are approved and correspondingly marked for this application.



Information on recommended minimum conductor cross-sections and cable lengths is accessible via a link, in the form of a QR code, at the end of this document.

6 Preparations at the workplace

CAUTION

Risk of injury! Inadvertent starting of the product.

- ▶ Unplug the supply cord before making adjustments to the power tool or before changing accessories.

Observe the safety instructions and warnings in this documentation and on the product.

6.1 Fitting the saw blade

1. Disconnect the supply cord plug from the power outlet.
2. Push the saw blade (teeth facing the cutting direction) into the blade holder until it engages.
3. Grip and pull the saw blade to check that it is held securely.

6.2 Fitting the guard

- ▶ Push the guard onto the product from the front until it clicks into place.

6.3 Fitting the suction adapter

1. Push the suction adapter onto the base plate horizontally from the rear until both catches engage at the side.
2. Connect the vacuum cleaner hose to the suction adapter.

6.4 Setting the orbital action

1. Determine the correct orbital-action setting for the task to be performed with the applicable saw blade.
2. Set the orbital-action adjusting lever to one of the four settings → page 5.

6.5 Adjusting the stroke rate



Determine the correct setting for the task to be performed with the applicable saw blade.

- ▶ Set the stroke rate regulator thumbwheel to a setting between 1 (low) and 6 (high).


6.6 Setting the cutting angle

1. Remove the suction adapter. → page 9
2. Pivot the clamping lever 90° back (toward the rear of the tool).
3. Set the desired cutting angle (0°, 15°, 30° or 45°).



4. Pivot the clamping lever 90° forward (toward the front of the tool).
 - ▶ The base plate is clamped securely.
5. Fit the suction adapter. → page 7

6.7 Fitting the anti-splinter insert

 The anti-splinter insert can be used only with the saw blades for which it is designed.

1. Disconnect the supply cord plug from the power outlet.
2. Press the anti-splinter insert into the base plate from below.

7 Types of work


WARNING

Damaged power cords are a safety hazard! If the supply cord or extension cord is damaged while work is in progress, immediately disconnect the device and the cord from the electricity supply. Do not touch the damaged part of the cord.

- ▶ Regularly check all supply cords. Replace defective extension cords. Have damaged power cords replaced by a qualified specialist.

Use of a ground fault circuit interrupter (residual current device, RCD) with a maximum tripping current of 30 mA is recommended.

7.1 Dust removal system

 The dust extractor reduces dust emissions, increases working safety by providing better visibility of the cutting line and reduces exposure to dust and wood chips at the workplace.

1. Fit the guard. → page 7
2. Connect the dust removal adapter and the extractor when you intend working for a long period on wood or other materials, because high concentrations of dust can be produced in these operations.

7.2 Switching on

1. Press the on/off switch.
2. To lock the switch, subsequently press the lockbutton.
3. To release the lockbutton, press the on/off switch again.

7.3 Plunge cutting

1. Set the orbital-action adjusting lever to position 0.
2. Bring the front edge of the base plate into contact with the workpiece.
3. Hold the product securely and press the on/off switch.
4. Press the product firmly against the workpiece and begin the plunge cut by slowly reducing the angle of attack.
5. Once the blade has penetrated right through the workpiece, bring the product into its normal working position.
 - ▶ The base plate then lies flat on the working surface.
6. Continue to saw along the cutting line.

7.4 Switching off

- ▶ Release the on/off switch.



8 Removal

CAUTION

Risk of injury! Inadvertent starting of the product.

- ▶ Unplug the supply cord before making adjustments to the power tool or before changing accessories.

Observe the safety instructions and warnings in this documentation and on the product.

8.1 Removing the suction adapter

1. Press the two retaining catches inwards.
2. Pull the suction adapter to the rear to remove it from the base plate.
3. Disconnect the vacuum cleaner hose from the suction adapter.

8.2 Removing the guard

- ▶ Tilt the guard slightly and pull it off toward the front.

8.3 Ejecting the saw blade

WARNING

Risk of injury. Uncontrolled ejection of the saw blade can lead to injury.

- ▶ When ejecting the saw blade, hold the product in such a way that it presents no risk of injury to persons or animals.
1. Disconnect the supply cord plug from the power outlet.
 2. Push the saw blade ejection lever to the side as far as it will go.
 - ▶ The saw blade will be released and ejected.

9 Care and maintenance

WARNING

Electric shock hazard! Attempting care and maintenance with the supply cord connected to a power outlet can lead to severe injury and burns.

- ▶ Always unplug the supply cord before carrying out care and maintenance tasks.

Care

- Carefully remove any dirt that may be adhering to parts.
- Clean the air vents carefully with a dry brush.
- Use only a slightly damp cloth to clean the casing. Do not use cleaning agents containing silicone as these may attack the plastic parts.

Maintenance

WARNING

Danger of electric shock! Improper repairs to electrical components may lead to serious injuries including burns.

- ▶ Repairs to the electrical section of the tool or appliance may be carried out only by trained electrical specialists.
-
- Check all visible parts and controls for signs of damage at regular intervals and make sure that they all function correctly.
 - Do not operate the product if signs of damage are found or if parts malfunction. Have it repaired immediately by **Hilti** Service.
 - After cleaning and maintenance, fit all guards or protective devices and check that they function correctly.



To help ensure safe and reliable operation, use only genuine Hilti spare parts and consumables. Spare parts, consumables and accessories approved by Hilti for use with the product can be found at your local **Hilti Store** or online at: www.hilti.group.



9.1 Cleaning the suction adapter

1. Disconnect the supply cord plug from the power outlet.
2. Disconnect the vacuum cleaner hose from the suction adapter.
3. Remove the suction adapter. → page 9
4. Clean the suction adapter.
5. Check that the catches are undamaged.
6. Fit the suction adapter. → page 7

9.2 Cleaning the saw blade

1. Clean resin deposits from used saw blades at regular intervals.
2. Place the saw blades in a bath of kerosene (paraffin oil) or commercially-available resin remover for 24 hours.

10 Transport and storage

Transport

- ▶ Do not transport this product with an accessory tool installed.
- ▶ Make sure that the equipment is held securely throughout all transport operations.
- ▶ After transporting, always check all visible parts and controls for signs of damage and make sure that they all function correctly.

Storage

- ▶ Always store this product with the electric supply cable unplugged from the electricity supply.
- ▶ Store this product in a dry place, where it cannot be accessed by children or unauthorized persons.
- ▶ After a long period of storage, always check all visible parts and controls for signs of damage and make sure that they all function correctly.

11 Troubleshooting

If the trouble you are experiencing is not listed in this table or you are unable to remedy the problem by yourself, please contact **Hilti Service**.

Trouble or fault	Possible cause	Action to be taken
The saw blade drops out.	The saw blade is not correctly engaged.	<ul style="list-style-type: none"> ▶ Repeat the insertion procedure. ▶ Make sure that the blade holder is fully open and that the saw blade is pushed all the way in against the spring resistance.
	The clamping system is clogged with foreign matter.	<ul style="list-style-type: none"> ▶ Clean out the blade holder.
The saw blade cannot be inserted.	The clamping system is clogged with foreign matter.	<ul style="list-style-type: none"> ▶ Clean out the blade holder.
The orbital action cannot be adjusted.	Foreign matter in the orbital-action adjusting lever groove.	<ul style="list-style-type: none"> ▶ Clean out the orbital-action adjusting lever groove.
The orbital action doesn't work.	The orbital-action mechanism is clogged with foreign matter.	<ul style="list-style-type: none"> ▶ Check whether foreign matter is present in the area of the orbital-action fork and clean it out.
	The orbital-action adjusting lever is in position "0".	<ul style="list-style-type: none"> ▶ Adjust it to the desired setting.
The power tool gets very hot.	Electrical fault.	<ul style="list-style-type: none"> ▶ Switch off immediately and unplug the power cord from the electricity supply. ▶ Allow the power tool to cool down and consult Hilti Service.



12 Disposal

Most of the materials from which **Hilti** tools and appliances are manufactured can be recycled. The materials must be correctly separated before they can be recycled. In many countries, your old tools, machines or appliances can be returned to **Hilti** for recycling. Ask **Hilti** Service or your Hilti representative for further information.



- ▶ Do not dispose of power tools, electronic equipment or batteries as household waste!

13 RoHS (Restriction of Hazardous Substances)

Click on the links to go to the table of hazardous substances: qr.hilti.com/r5212956
There is a link to the RoHS table, in the form of a QR code, at the end of this document.

14 Manufacturer's warranty

- ▶ Please contact your local **Hilti** representative if you have questions about the warranty conditions.

Manual de instrucciones original

1 Información sobre la documentación

1.1 Acerca de esta documentación

- Lea detenidamente esta documentación antes de la puesta en servicio. Ello es imprescindible para un trabajo seguro y un manejo sin problemas.
- Respete las indicaciones de seguridad y las advertencias presentes en esta documentación y en el producto.
- Conserve este manual de instrucciones siempre junto con el producto y entregue el producto a otras personas siempre acompañado del manual.

1.2 Explicación de símbolos

1.2.1 Avisos

Las advertencias de seguridad advierten de peligros derivados del manejo del producto. Se utilizan las siguientes palabras de peligro:

PELIGRO

PELIGRO !

- ▶ Término utilizado para un peligro inminente que puede ocasionar lesiones graves o incluso la muerte.

ADVERTENCIA

ADVERTENCIA !

- ▶ Término utilizado para un posible peligro que puede ocasionar lesiones graves o incluso la muerte.

PRECAUCIÓN

PRECAUCIÓN !

- ▶ Término utilizado para una posible situación peligrosa que puede ocasionar lesiones leves o daños materiales.

1.2.2 Símbolos en la documentación

En esta documentación se utilizan los siguientes símbolos:



Leer el manual de instrucciones antes del uso



	Indicaciones de uso y demás información de interés
	Manejo con materiales reutilizables
	No tirar las herramientas eléctricas y las baterías junto con los desperdicios domésticos

1.2.3 Símbolos en las figuras

En las figuras se utilizan los siguientes símbolos:

	Estos números hacen referencia a la figura correspondiente incluida al principio de este manual
3	La numeración describe el orden de los pasos de trabajo en la imagen y puede ser diferente de los pasos descritos en el texto
	Los números de posición se utilizan en la figura Vista general y los números de la leyenda están explicados en el apartado Vista general del producto
	Preste especial atención a este símbolo cuando utilice el producto.

1.3 Símbolos dependientes del producto

1.3.1 Símbolos en el producto

En el producto se utilizan los siguientes símbolos:

n_0	Número de carreras en marcha en vacío
	Transferencia de datos inalámbrica

1.4 Información del producto

Los productos han sido diseñados para usuarios profesionales y solo personal autorizado y debidamente formado puede utilizarlos y llevar a cabo su mantenimiento y conservación. Este personal debe estar especialmente instruido en lo referente a los riesgos de uso. La utilización del producto descrito y sus dispositivos auxiliares puede conllevar riesgos para el usuario en caso de manejarse de forma inadecuada por personal no cualificado o utilizarse para usos no previstos.

La denominación del modelo y el número de serie están indicados en la placa de identificación.

- ▶ Anote el número de serie en la siguiente tabla. Mencione estos datos siempre que realice alguna consulta acerca del producto a nuestros representantes o al Departamento de Servicio Técnico.
- ▶ Anote el número de serie en la siguiente tabla. Mencione estos datos siempre que realice alguna consulta acerca del producto a nuestros representantes o al Departamento de Servicio Técnico.

Datos del producto

Sierra de calar de carrera pendular	SJD 6
Generación	01
N.º de serie	

1.5 Declaración de conformidad

Bajo nuestra exclusiva responsabilidad, declaramos que el producto aquí descrito cumple con las directivas y normas vigentes. Encontrará una reproducción de la declaración de conformidad al final de esta documentación.

La documentación técnica se encuentra depositada aquí:

Hilti Entwicklungsgesellschaft mbH | Zulassung Geräte | Hiltistraße 6 | 86916 Kaufering, DE



2 Seguridad

2.1 Indicaciones generales de seguridad para herramientas eléctricas

⚠ ADVERTENCIA Lea con atención todas las indicaciones de seguridad, instrucciones, ilustraciones y datos técnicos correspondientes a esta herramienta eléctrica. La negligencia en el cumplimiento de las instrucciones que se describen a continuación podría provocar descargas eléctricas, incendios o lesiones graves.

Conserve todas las instrucciones e indicaciones de seguridad para futuras consultas.

El término «herramienta eléctrica» empleado en las indicaciones de seguridad se refiere a herramientas eléctricas portátiles, ya sea con cable de red o sin cable, en caso de ser accionadas por batería.

Seguridad en el puesto de trabajo

- ▶ **Mantenga su área de trabajo limpia y bien iluminada.** El desorden o una iluminación deficiente de las zonas de trabajo pueden provocar accidentes.
- ▶ **No utilice la herramienta eléctrica en un entorno con peligro de explosión en el que se encuentren líquidos, gases o polvos inflamables.** Las herramientas eléctricas producen chispas que pueden llegar a inflamar los materiales en polvo o vapores.
- ▶ **Mantenga alejados a los niños y otras personas de su puesto de trabajo al emplear la herramienta eléctrica.** Una distracción le puede hacer perder el control sobre la herramienta.

Seguridad eléctrica

- ▶ **El enchufe de la herramienta eléctrica debe corresponder a la toma de corriente utilizada. No se deberá modificar el enchufe en forma alguna. No utilice enchufes adaptadores para las herramientas eléctricas con puesta a tierra.** Los enchufes sin modificar adecuados a las respectivas tomas de corriente reducen el riesgo de descarga eléctrica.
- ▶ **Evite el contacto corporal con superficies que tengan puesta a tierra, como pueden ser tubos, calefacciones, cocinas y frigoríficos.** El riesgo a quedar expuesto a una sacudida eléctrica es mayor si su cuerpo tiene contacto con tierra.
- ▶ **No exponga las herramientas eléctricas a la lluvia y evite que penetren líquidos en su interior.** El riesgo de recibir descargas eléctricas aumenta si penetra agua en la herramienta eléctrica.
- ▶ **No utilice el cable de conexión para transportar o colgar la herramienta eléctrica ni tire de él para extraer el enchufe de la toma de corriente. Mantenga el cable de conexión alejado de fuentes de calor, aceite, aristas afiladas o piezas móviles.** Los cables de conexión dañados o enredados pueden provocar descargas eléctricas.
- ▶ **Cuando trabaje al aire libre con una herramienta eléctrica, utilice exclusivamente un alargador adecuado para exteriores.** La utilización de un alargador adecuado para su uso en exteriores evita el riesgo de una descarga eléctrica.
- ▶ **Cuando no pueda evitarse el uso de la herramienta eléctrica en un entorno húmedo, utilice un interruptor de corriente de defecto.** La utilización de un interruptor de corriente de defecto evita el riesgo de una descarga eléctrica.

Seguridad de las personas

- ▶ **Permanezca atento, preste atención durante el trabajo y utilice la herramienta eléctrica con prudencia. No utilice una herramienta eléctrica si está cansado, ni tampoco después de haber consumido alcohol, drogas o medicamentos.** Un momento de descuido al utilizar la herramienta eléctrica podría producir graves lesiones.
- ▶ **Utilice el equipo de seguridad personal adecuado y lleve siempre gafas protectoras.** El riesgo de lesiones se reduce considerablemente si, según el tipo y la aplicación de la herramienta eléctrica empleada, se utiliza un equipo de seguridad personal adecuado como una mascarilla antipolvo, zapatos de seguridad con suela antideslizante, casco de protección o protección para los oídos.
- ▶ **Evite una puesta en servicio fortuita de la herramienta. Asegúrese de que la herramienta eléctrica está apagada antes de alzarla, transportarla, conectarla a la toma de corriente o insertar la batería.** Si transporta la herramienta eléctrica sujetándola por el interruptor de conexión/desconexión o si introduce el enchufe en la toma de corriente con la herramienta conectada, podría producirse un accidente.
- ▶ **Retire las herramientas de ajuste o llaves fijas antes de conectar la herramienta eléctrica.** Una herramienta o llave colocada en una pieza giratoria puede producir lesiones al ponerse en funcionamiento.
- ▶ **Evite adoptar posturas forzadas. Procure que la postura sea estable y manténgase siempre en equilibrio.** De esta forma podrá controlar mejor la herramienta eléctrica en caso de presentarse una situación inesperada.
- ▶ **Utilice ropa adecuada. No utilice vestimenta amplia ni joyas. Mantenga su pelo, vestimenta y guantes alejados de las piezas móviles.** La vestimenta suelta, las joyas y el pelo largo se pueden enganchar con las piezas en movimiento.



- ▶ **Siempre que sea posible montar equipos de aspiración o captación de polvo, asegúrese de que están conectados y de que se utilizan correctamente.** El uso de un sistema de aspiración de polvo reduce los riesgos derivados del polvo.
- ▶ **No se crea a salvo de cualquier riesgo ni pase por alto ninguna de las normas de seguridad relativas a las herramientas eléctricas, aun cuando esté familiarizado con la herramienta eléctrica y tenga larga experiencia en su uso.** Una actuación negligente puede provocar lesiones graves en cuestión de segundos.

Uso y manejo de la herramienta eléctrica

- ▶ **No sobrecargue la herramienta. Utilice la herramienta eléctrica adecuada para el trabajo que se dispone a realizar.** Con la herramienta eléctrica apropiada podrá trabajar mejor y de modo más seguro dentro del margen de potencia indicado.
- ▶ **No utilice herramientas eléctricas con el interruptor defectuoso.** Las herramientas eléctricas que no se puedan conectar o desconectar son peligrosas y deben repararse.
- ▶ **Extraiga el enchufe de la toma de corriente o retire la batería extraíble antes de efectuar cualquier ajuste en la herramienta, cambiar accesorios o en caso de no utilizar la herramienta durante un tiempo prolongado.** Esta medida preventiva evita el riesgo de arranque accidental de la herramienta eléctrica.
- ▶ **Guarde las herramientas eléctricas que no utilice fuera del alcance de los niños. No permita utilizar la herramienta a ninguna persona que no esté familiarizada con ella o que no haya leído este manual de instrucciones.** Las herramientas eléctricas utilizadas por personas inexpertas son peligrosas.
- ▶ **Cuide su herramienta eléctrica y los accesorios adecuadamente. Compruebe si las piezas móviles de la herramienta funcionan correctamente y sin atascarse, y si existen piezas rotas o deterioradas que pudieran afectar al funcionamiento de la herramienta eléctrica. Encargue la reparación de las piezas defectuosas antes de usar la herramienta eléctrica.** Muchos accidentes son consecuencia de un mantenimiento inadecuado de la herramienta eléctrica.
- ▶ **Mantenga los útiles limpios y afilados.** Las herramientas de corte bien cuidadas y con aristas afiladas se atascan menos y se guían con más facilidad.
- ▶ **Utilice la herramienta eléctrica, los accesorios, útiles de inserción, etc., de acuerdo con estas instrucciones. Para ello, tenga en cuenta las condiciones de trabajo y la tarea que se va a realizar.** El uso de herramientas eléctricas para trabajos diferentes de aquellos para los que han sido concebidas puede resultar peligroso.
- ▶ **Mantenga las empuñaduras y las superficies de contacto secas, limpias y sin residuos de aceite o grasa.** Las empuñaduras y superficies de contacto resbaladizas impiden manejar y controlar la herramienta eléctrica con seguridad en situaciones imprevistas.

Servicio Técnico

- ▶ **Solicite que un profesional lleve a cabo la reparación de su herramienta eléctrica y que utilice exclusivamente piezas de repuesto originales.** Solamente así se garantiza la seguridad de la herramienta eléctrica.

2.2 Indicaciones de seguridad para sierras con hojas de sierra de vaivén

- ▶ **Sujete la herramienta eléctrica por las empuñaduras aisladas cuando realice trabajos en los que el útil de inserción pueda entrar en contacto con cables eléctricos ocultos o con el propio cable de conexión de la herramienta.** El contacto con los cables conductores puede traspasar la conductividad a las partes metálicas y producir descargas eléctricas.
- ▶ **Fije y asegure la herramienta a una superficie estable con abrazaderas o mediante otro sistema.** Si solo utiliza la mano para sujetar la pieza de trabajo o se la apoya contra el cuerpo, la pieza estará inestable, lo que puede provocar una pérdida de control.

2.3 Indicaciones de seguridad adicionales

Seguridad de las personas

- ▶ Utilice la herramienta únicamente si tiene la certeza de que se encuentra en perfecto estado técnico.
- ▶ No efectúe nunca manipulaciones o modificaciones en la herramienta.
- ▶ Sujete siempre la herramienta con ambas manos por las empuñaduras previstas. Mantenga las empuñaduras secas y limpias.
- ▶ Cuando utilice la herramienta, lleve siempre gafas protectoras apropiadas, protección para los oídos y guantes de protección.
- ▶ Utilice guantes de protección para cambiar el útil de inserción. El contacto con el útil de inserción puede producir cortes y quemaduras.



- ▶ Utilice protección para los ojos. El material que sale disparado puede ocasionar lesiones en los ojos y en el cuerpo.
- ▶ Antes de iniciar el trabajo, consulte la clase de peligros derivados del polvo resultante del trabajo. Utilice un aspirador de obra con una clasificación de protección homologada conforme a las normas locales sobre la protección contra el polvo.
- ▶ Procure una buena ventilación en el lugar de trabajo y utilice en caso necesario una mascarilla adecuada para cada clase de polvo. El contacto con el polvo o su inhalación puede provocar reacciones alérgicas o asfixia al usuario o a personas que se encuentren en su entorno. Existen determinados tipos de polvo, como puede ser el de roble o el de haya, catalogados como cancerígenos, especialmente si se encuentran mezclados con aditivos usados en el tratamiento de la madera (cromato, agente protector para la madera). Únicamente expertos cualificados están autorizados a manipular materiales que contengan asbesto.
- ▶ Efectúe pausas durante el trabajo, así como ejercicios de los dedos para mejorar la circulación. En el caso de trabajos de larga duración, las vibraciones pueden causar alteraciones en el sistema nervioso o en los vasos sanguíneos de los dedos, las manos u otras articulaciones de las manos.

Seguridad eléctrica

- ▶ Antes de empezar a trabajar, compruebe si la zona de trabajo oculta cables eléctricos, tuberías de gas o cañerías de agua. Las partes metálicas exteriores de la herramienta pueden provocar una descarga eléctrica si se daña por error un cable eléctrico.

Manipulación y utilización segura de las herramientas eléctricas

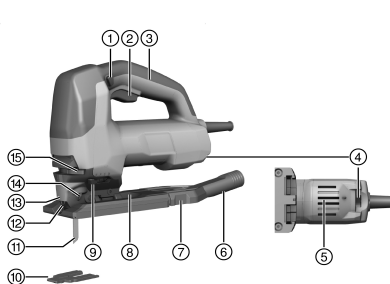
- ▶ Fije la pieza de trabajo. Las piezas de trabajo se sujetan de forma más segura mediante un dispositivo de sujeción o un tornillo de banco que sujetándolas solo con la mano.

Indicaciones de seguridad especiales para sierras de calar

- ▶ Apartar siempre el producto del cuerpo cuando se esté serrando con él.
- ▶ No coloque nunca las manos delante de ni junto a la hoja de sierra.
- ▶ No sierre nunca superficies que no conozca y mantenga la guía de corte libre de obstáculos por arriba y por abajo.
- ▶ Al serrar, no sujete la pieza de trabajo por debajo.

3 Descripción

3.1 Vista general del producto



- ① Botón de fijación
- ② Interruptor de conexión y desconexión
- ③ Empuñadura
- ④ Rueda reguladora para el ajuste del número de carreras
- ⑤ Rejillas de ventilación
- ⑥ Adaptador de aspiración
- ⑦ Gancho de sujeción
- ⑧ Placa base
- ⑨ Palanca para el ajuste pendular
- ⑩ Protección contra el astillado
- ⑪ Hoja de sierra
- ⑫ Protección contra contacto accidental
- ⑬ Tapa cobertora
- ⑭ Portaútiles
- ⑮ Palanca para desbloqueo de la hoja de sierra

3.2 Uso conforme a las prescripciones

El producto descrito es una sierra de calar de carrera pendular de guiado manual y accionamiento eléctrico. Es adecuada para serrar plástico, madera y metal así como tableros de fibra y yeso.

El producto está equipado con un manguito de empalme desmontable para acoplar a un aspirador de polvo opcional; el manguito está diseñado para las mangueras de aspirador convencionales. Para conectar la manguera de aspiración al producto puede que sea necesario utilizar un adaptador específico.

Solo debe funcionar con la frecuencia y tensión de alimentación especificadas en la placa de identificación.



- Para este producto utilice únicamente hojas de sierra con vástago en T (vástago de una leva).

3.3 Posibles usos indebidos

- El producto no debe utilizarse para serrar ramas ni troncos.
- El producto no debe utilizarse para trabajar con materiales nocivos para la salud.
- El producto no debe utilizarse para trabajos en entornos húmedos.

3.4 Dispositivo soplador antivirutas

El dispositivo soplador antivirutas dirige un chorro de aire hacia la hoja de sierra para mantener la línea de corte libre de virutas.

3.5 Número de carreras

El número de carreras puede ajustarse en la rueda reguladora. La posición 1 corresponde a 800 carreras por minuto y la posición 6, a 3000 carreras por minuto.

Dependiendo de la fuerza con que se presione el interruptor de conexión y desconexión, la velocidad de carrera empieza con 75 carreras por minuto y aumenta hasta las carreras definidas que se hayan ajustado en la rueda reguladora.

3.6 4 niveles de movimiento pendular

Gracias a los 4 niveles de movimiento pendular, el rendimiento de corte y el perfil pueden amoldarse al material que se va a trabajar. La palanca para el ajuste de carrera pendular sirve para cambiar entre los cuatro niveles. Cuanto más preciso y delicado deba quedar el canto de corte, más pequeño ha de ser el nivel de movimiento pendular. El ajuste óptimo puede determinarse por medio de intentos prácticos.

Estado	Significado
Posición 0	Sin movimiento pendular
Posición 1	Movimiento pendular pequeño
Posición 2	Movimiento pendular medio
Posición 3	Movimiento pendular grande

3.7 Botón de bloqueo

El botón de bloqueo puede situarse en tres posiciones.

1. La posición normal es la posición central: el botón de bloqueo puede verse a la derecha y a la izquierda. Puede regularse el número de carreras, p. ej.
El interruptor de conexión y desconexión puede pulsarse y soltarse.
2. El botón de bloqueo solo puede verse a la izquierda: posición de transporte (la herramienta no se puede arrancar).
El interruptor de conexión y desconexión está bloqueado y no puede pulsarse.
3. El botón de bloqueo solo puede verse a la derecha: después de encender la herramienta (el interruptor de conexión y desconexión está pulsado del todo), el botón de bloqueo puede presionarse hacia la derecha para enclavar la posición «conectado». Para desenclavar el bloqueo, pulsar de nuevo el interruptor de conexión y desconexión.

3.8 Protección contra el astillado

El producto puede equiparse con una protección contra el astillado.

La protección contra el astillado impide el desgarro de la superficie al serrar materiales derivados de la madera.

3.9 Suministro

Sierra de calar de carrera pendular con hoja de sierra, tapa cobertora, adaptador de aspiración, protección contra el astillado, manual de instrucciones, llave de hexágono interior.

Encontrará otros productos del sistema autorizados para su producto en su Centro **Hilti** o en internet, en www.hilti.com



4 Datos técnicos

4.1 Sierra de calar de carrera pendular



Si se utiliza con un generador o transformador, la potencia útil debe ser al menos del doble de la potencia nominal indicada en la placa de identificación de la herramienta. La tensión de servicio del transformador o del generador debe encontrarse en todo momento entre un +5 % y un -15 % de la tensión de referencia de la herramienta.

Los datos son válidos para una tensión de referencia de 230 V. Para tensiones distintas y variantes específicas de cada país, los datos pueden variar. La tensión de referencia y la frecuencia, así como la potencia nominal o la intensidad de referencia, figuran en la placa de identificación.

	SJD 6
Potencia nominal	850 W
Peso según el procedimiento EPTA 01	2,4 kg
Número de carreras en marcha en vacío	80 rpm ... 3.000 rpm
Altura de carrera	28 mm
Rendimiento de corte máximo en madera	150 mm
Rendimiento de corte máximo en aluminio	25 mm
Rendimiento de corte máximo en acero no aleado	10 mm
Ángulo de corte (izquierda/derecha)	0°, 15°, 30°, 45°
Diámetro exterior del adaptador de aspiración	27,5 mm

4.2 Información sobre la emisión de ruidos y valores de vibración según EN 62841

Los valores de vibración y de presión acústica indicados en estas instrucciones han sido medidos conforme a los procedimientos de medición homologados y pueden utilizarse para la comparación de diferentes herramientas eléctricas. También resultan útiles para realizar un análisis de los riesgos de exposición.

Los datos indicados son específicos para las aplicaciones principales de la herramienta eléctrica. Los datos pueden, no obstante, registrar variaciones si la herramienta eléctrica se emplea para otras aplicaciones o con útiles de inserción distintos, o si se ha efectuado un mantenimiento insuficiente de la herramienta. En estos casos, los riesgos de exposición podrían aumentar considerablemente durante toda la sesión de trabajo.

A fin de obtener un análisis preciso de los riesgos de exposición, también deben tenerse en cuenta los períodos en los que la herramienta está desconectada o está en marcha, pero no realmente en uso. De este modo, los riesgos de exposición podrían reducirse considerablemente durante toda la sesión de trabajo.

Adopte medidas de seguridad adicionales para proteger al usuario del efecto del ruido y de las vibraciones, como por ejemplo: mantenimiento de la herramienta eléctrica y los útiles de inserción, mantener las manos calientes, organización de los procesos de trabajo, etc.

Valores de emisión de ruidos

	SJD 6
Nivel de potencia acústica (L_{WA})	100,5 dB(A)
Incertidumbre del nivel de potencia acústica (K_{WA})	5 dB(A)
Nivel de intensidad acústica (L_{pA})	89,5 dB(A)
Incertidumbre del nivel de intensidad acústica (K_{pA})	5 dB(A)

Valores de vibración totales

	SJD 6
Valor de emisión de vibraciones al serrar placas de madera ($a_{h,B}$)	9,7 m/s ²
Valor de emisión de vibraciones al serrar chapa metálica ($a_{h,M}$)	8,0 m/s ²
Incertidumbre (K)	1,5 m/s ²



5 Uso de alargadores

ADVERTENCIA

Peligro por los cables dañados. Si se daña el cable de red o el alargador durante el trabajo, evitar tocar el cable. Extraer el enchufe de red de la toma de corriente.

- ▶ Compruebe con regularidad el cable de conexión de la herramienta y, en caso de que presentara daños, encargue su sustitución a un profesional experto en la materia.
-
- Utilice solo el alargador autorizado con sección de cable suficiente para el campo de aplicación. De lo contrario, puede generarse una pérdida de potencia de la herramienta y un sobrecalentamiento del cable.
 - Compruebe regularmente que el alargador no haya sufrido daños.
 - Sustituir los alargadores dañados.
 - Al trabajar al aire libre, utilice únicamente alargadores autorizados que estén correspondientemente identificados.



Al final de esta documentación encontrará, en forma de código QR, las secciones mínimas recomendadas y las longitudes máximas del cable.

6 Preparación del trabajo

PRECAUCIÓN

Riesgo de lesiones. Arranque involuntario del producto.

- ▶ Extraiga el enchufe de red antes de realizar ajustes en la herramienta o de cambiar accesorios.

Respete las indicaciones de seguridad y las advertencias presentes en esta documentación y en el producto.

6.1 Colocación de la hoja de sierra

1. Extraiga el enchufe de red de la toma de corriente.
2. Presione la hoja de sierra (con los dientes en el sentido de corte) hacia el interior del portaútiles hasta que encaje.
3. Tire de la hoja de sierra para comprobar que esté encajada.

6.2 Colocación de la tapa cobertora

- ▶ Deslice la tapa cobertora desde delante en el producto hasta que encaje.

6.3 Montaje del adaptador de aspiración

1. Deslice el adaptador de aspiración desde atrás horizontalmente en la placa base hasta que los dos ganchos de sujeción estén encajados en los lados.
2. Conecte la manguera del aspirador al adaptador de aspiración.

6.4 Ajuste del movimiento pendular

1. Determine el ajuste correcto de la carrera pendular según lo requiera la hoja de sierra correspondiente.
2. Coloque la palanca para el ajuste de la carrera pendular en uno de los cuatro niveles → página 16.

6.5 Ajuste del número de carreras



Determine el ajuste correcto según lo requiera la hoja de sierra.

- ▶ Defina en la rueda de ajuste el número de carreras entre 1 (pequeño) y 6 (grande).

6.6 Ajuste del ángulo de corte

1. Desmonte el adaptador de aspiración. → página 20
2. Gire la palanca de tensado 90° hacia atrás.
3. Ajuste el ángulo de corte deseado (0°, 15°, 30° o 45°).



4. Gire la palanca de tensado 90° hacia delante.
 - ▶ La placa base está fijada.
5. Monte el adaptador de aspiración. → página 18

6.7 Montaje de la protección contra el astillado



La protección contra el astillado solo puede utilizarse para las hojas de sierra previstas.

1. Extraiga el enchufe de red de la toma de corriente.
2. Presione la protección contra el astillado desde abajo en la placa base.

7 Procedimiento de trabajo



ADVERTENCIA

Peligro por cables dañados. Si durante el trabajo se daña el cable de red o el alargador, desenchufe inmediatamente la herramienta y el cable de la red. Evite tocar el punto donde se haya producido el daño.

- ▶ Compruebe regularmente todos los cables de conexión. Sustituya los alargadores defectuosos. Encargue a un profesional experto en la materia la sustitución de los cables de red dañados.

Se recomienda el uso de un interruptor de corriente de defecto (RCD) con una corriente de desconexión máxima de 30 mA.

7.1 Aspiración de polvo



La aspiración de polvo disminuye la carga de polvo, aumenta la seguridad al mejorar la visibilidad del corte y evita las molestias por la acumulación de polvo y virutas en el lugar de trabajo.

1. Coloque la tapa cobertora. → página 18
2. Conecte el adaptador de aspiración y el dispositivo de aspiración cuando vaya a trabajar durante mucho tiempo con madera o materiales y pueda producirse una alta concentración de polvo.

7.2 Conexión

1. Pulse el interruptor de conexión y desconexión.
2. Para enclavar el interruptor, presione a continuación el botón de bloqueo.
3. Para desenclavar el bloqueo, vuelva a pulsar el interruptor de conexión y desconexión.

7.3 Serrado de inmersión

1. Sitúe la palanca de ajuste de la carrera pendular en la posición 0.
2. Coloque el producto con el borde delantero de la placa base sobre la pieza de trabajo.
3. Sujete el producto y pulse el botón de conexión y desconexión.
4. Presione el producto firmemente contra la pieza de trabajo e introduzca la hoja reduciendo el ángulo de incidencia.
5. Una vez haya perforado la pieza de trabajo, coloque el producto en la posición normal de trabajo.
 - ▶ La placa base está apoyada con toda la superficie.
6. Continúe serrando a lo largo de la línea de corte.

7.4 Desconexión

- ▶ Suelte el interruptor de conexión y desconexión.

8 Desmontaje



PRECAUCIÓN

Riesgo de lesiones. Arranque involuntario del producto.

- ▶ Extraiga el enchufe de red antes de realizar ajustes en la herramienta o de cambiar accesorios.



Respete las indicaciones de seguridad y las advertencias presentes en esta documentación y en el producto.

8.1 Desmontaje del adaptador de aspiración **11**

1. Presione los dos ganchos de sujeción hacia dentro.
2. Retire el adaptador de aspiración de la placa base hacia atrás.
3. Extraiga la manguera del aspirador del adaptador de aspiración.

8.2 Extracción de la tapa cobertora **12**

- ▶ Ladee un poco la tapa protectora y extráigala hacia delante.

8.3 Expulsión de la hoja de sierra **13**

ADVERTENCIA

Riesgo de lesiones. Una expulsión incontrolada de la hoja de sierra puede provocar lesiones.

- ▶ Al extraer la hoja de sierra, sujete el producto de tal manera que ninguna persona o animal puedan resultar dañados por la extracción de la hoja.

1. Extraiga el enchufe de red de la toma de corriente.
2. Empuje la palanca para el desbloqueo de la hoja de sierra hasta el tope para apartarla.
 - ▶ La hoja de sierra se suelta y expulsa.

9 Cuidado y mantenimiento

ADVERTENCIA

Peligro de descarga eléctrica. La realización de tareas de cuidado y mantenimiento con el enchufe conectado a la toma de corriente de puede provocar lesiones y quemaduras graves.

- ▶ Extraiga siempre el enchufe de la toma de corriente antes de realizar cualquier tarea de cuidado y mantenimiento.

Cuidado

- Retire con cuidado la suciedad fuertemente adherida.
- Limpie cuidadosamente las rejillas de ventilación con un cepillo seco.
- Limpie la carcasa utilizando únicamente un paño ligeramente humedecido. No utilice limpiadores que contengan silicona, ya que podría afectar a las piezas de plástico.

Mantenimiento

ADVERTENCIA

Riesgo de descarga eléctrica. Las reparaciones indebidas en componentes eléctricos pueden producir lesiones graves y quemaduras.

- ▶ Las reparaciones de la parte eléctrica sólo puede llevarlas a cabo un técnico electricista cualificado.
- Compruebe con regularidad si las piezas visibles están dañadas o si los elementos de manejo funcionan correctamente.
- No utilice el producto si presenta daños o fallos que afecten al funcionamiento. Llévela de inmediato al Servicio Técnico de **Hilti** para que la reparen.
- Coloque todos los dispositivos de protección después de las tareas de cuidado y mantenimiento y compruebe su correcto funcionamiento.

 Para garantizar un correcto funcionamiento, utilice exclusivamente piezas de repuesto y material de consumo originales. Puede encontrar piezas de repuesto, consumibles y accesorios para su producto que nosotros mismos comercializamos en **Hilti Store** o en: www.hilti.group.

9.1 Limpieza del adaptador de aspiración

1. Extraiga el enchufe de red de la toma de corriente.
2. Retire la manguera del aspirador del adaptador de aspiración.
3. Desmonte el adaptador de aspiración. → página 20
4. Limpie el adaptador de aspiración.



5. Compruebe que los ganchos de sujeción no estén dañados.
6. Monte el adaptador de aspiración. → página 18

9.2 Limpieza de las hojas de sierra

1. Desresinifique regularmente las hojas de sierra utilizadas.
2. Aplique petróleo o un producto desresinificador comercial a las hojas de sierra durante 24 horas.

10 Transporte y almacenamiento

Transporte

- ▶ No transporte este producto con el útil insertado.
- ▶ Asegúrese de que durante el transporte esté bien sujeto.
- ▶ Compruebe tras cada transporte si las piezas visibles están dañadas o si los elementos de manejo funcionan correctamente.

Almacenamiento

- ▶ Almacene este producto siempre con los enchufes desconectados.
- ▶ Guarde este producto en un lugar seco y fuera del alcance de niños y personas no autorizadas.
- ▶ Cuando lleve mucho tiempo almacenado, compruebe si las piezas visibles están dañadas y si los elementos de manejo funcionan correctamente.

11 Ayuda en caso de averías

Si se producen averías que no estén incluidas en esta tabla o que no pueda solucionar usted, diríjase a nuestro Servicio Técnico de **Hilti**.

Anomalia	Posible causa	Solución
La hoja de sierra se sale.	La hoja de sierra no está correctamente enclavada.	<ul style="list-style-type: none"> ▶ Repita el proceso de sujeción. ▶ Asegúrese de que el portaútiles esté completamente abierto y que la hoja de sierra se haya introducido a contrapresión.
	El sistema de sujeción está sucio.	▶ Limpie el portaútiles.
La hoja de sierra no se puede insertar.	El sistema de sujeción está sucio.	▶ Limpie el portaútiles.
La carrera pendular no se puede regular.	Ranura sucia de la palanca de ajuste del movimiento pendular.	▶ Limpie la suciedad de la ranura de la palanca de ajuste del movimiento pendular.
La carrera pendular no funciona.	Mecanismo pendular sucio.	▶ Compruebe si hay suciedad en la zona de la horquilla de movimiento pendular y elimínela.
	La palanca de ajuste de la carrera pendular está en la posición «0».	▶ Ajuste el valor deseado.
La herramienta eléctrica alcanza una temperatura muy elevada.	Error en el sistema eléctrico.	<ul style="list-style-type: none"> ▶ Desconecte inmediatamente la herramienta y extraiga el cable de red. ▶ Deje enfriar la herramienta y póngase en contacto con el servicio técnico de Hilti.

12 Reciclaje

Las herramientas **Hilti** están fabricadas en su mayor parte con materiales reutilizables. La condición para dicha reutilización es una separación adecuada de los materiales. En muchos países, **Hilti** recoge las herramientas usadas para su recuperación. Pregunte en el Servicio de Atención al Cliente de **Hilti** o a su asesor de ventas.





- ▶ No deseche las herramientas eléctricas, los aparatos eléctricos ni las baterías junto con los residuos domésticos.

13 RoHS (Directiva sobre restricciones a la utilización de sustancias peligrosas)

Puede ver la tabla de sustancias peligrosas en los siguientes enlaces: qr.hilti.com/r5212956

Al final de esta documentación encontrará, en forma de código QR, un enlace a la tabla sobre la directiva RoHS.

14 Garantía del fabricante

- ▶ Si tiene alguna consulta acerca de las condiciones de la garantía, póngase en contacto con su sucursal local de **Hilti**.

Manual de instruções original

1 Indicações sobre a documentação

1.1 Sobre esta documentação

- Antes da colocação em funcionamento, leia esta documentação. Esta é a condição para um trabalho seguro e um manuseamento sem problemas.
- Tenha em atenção as instruções de segurança e as advertências nesta documentação e no produto.
- Guarde o manual de instruções sempre junto do produto e entregue-o a outras pessoas apenas juntamente com este manual.

1.2 Explicação dos símbolos

1.2.1 Advertências

As advertências alertam para perigos durante a utilização do produto. São utilizadas as seguintes palavras de aviso:



PERIGO

PERIGO !

- ▶ Indica perigo iminente que pode originar acidentes pessoais graves ou até mesmo fatais.



AVISO

AVISO !

- ▶ Indica um possível perigo que pode causar graves ferimentos pessoais, até mesmo fatais.



CUIDADO

CUIDADO !

- ▶ Indica uma situação potencialmente perigosa que pode originar ferimentos ligeiros ou danos materiais.

1.2.2 Símbolos na documentação

Nesta documentação são utilizados os seguintes símbolos:



Leia o manual de instruções antes da utilização



Instruções de utilização e outras informações úteis



Manuseamento com materiais recicláveis





Não deitar as ferramentas eléctricas e baterias no lixo doméstico

1.2.3 Símbolos nas figuras

Em figuras são utilizados os seguintes símbolos:

	Estes números referem-se à respectiva imagem no início deste Manual
3	A numeração reproduz uma sequência dos passos de trabalho na imagem e pode divergir dos passos de trabalho no texto
	Na figura Vista geral são utilizados números de posição que fazem referência aos números da legenda na secção Vista geral do produto
	Este símbolo pretende despertar a sua atenção durante o manuseamento do produto.

1.3 Símbolos dependentes do produto

1.3.1 Símbolos no produto

No produto são utilizados os seguintes símbolos:

n_0	Número de cursos em vazio
	Transferência de dados sem fios

1.4 Dados informativos sobre o produto

Os produtos destinam-se ao utilizador profissional e só podem ser operados, mantidos e reparados por pessoal autorizado, devidamente qualificado. Este pessoal deverá estar informado, em particular, sobre os potenciais perigos. O produto descrito e o seu equipamento auxiliar podem representar perigo se usados incorrectamente por pessoas não qualificadas ou se usados para fins diferentes daqueles para os quais foram concebidos.

A designação e o número de série são indicados na placa de características.

- ▶ Registe o número de série na tabela seguinte. Faça referência a estas informações sempre que entrar em contacto com o nosso representante ou posto de serviço de atendimento aos clientes para colocar questões sobre o produto.
- ▶ Registe o número de série na tabela seguinte. Faça referência a estas informações sempre que entrar em contacto com o nosso representante ou posto de serviço de atendimento aos clientes para colocar questões sobre o produto.

Dados do produto

Serra vertical excêntrica	SJD 6
Geração	01
N.º de série	

1.5 Declaração de conformidade

Declaramos sob nossa exclusiva responsabilidade que o produto aqui descrito está em conformidade com as directivas e normas em vigor. Na parte final desta documentação encontra uma reprodução da declaração de conformidade.

As documentações técnicas estão aqui guardadas:

Hilti Entwicklungsgesellschaft mbH | Zulassung Geräte | Hiltistraße 6 | 86916 Kaufering, DE

2 Segurança

2.1 Normas de segurança gerais para ferramentas eléctricas

⚠ AVISO Leia todas as normas de segurança, instruções, imagens e dados técnicos, com os quais esta ferramenta eléctrica está equipada. O não cumprimento das instruções a seguir pode resultar em choque eléctrico, incêndio e/ou ferimentos graves.



Guarde bem todas as normas de segurança e instruções para futura referência.

O termo “ferramenta eléctrica” utilizado nas normas de segurança refere-se a ferramentas com ligação à corrente eléctrica (com cabo de alimentação) ou a ferramentas a bateria (sem cabo).

Segurança no posto de trabalho

- ▶ **Mantenha a sua área de trabalho limpa e bem iluminada.** Locais desarrumados ou mal iluminados podem ocasionar acidentes.
- ▶ **Não utilize a ferramenta eléctrica em ambientes explosivos ou na proximidade de líquidos ou gases inflamáveis.** Ferramentas eléctricas produzem faíscas que podem provocar a ignição de pó e vapores.
- ▶ **Mantenha crianças e terceiros afastados durante os trabalhos.** Distrações podem conduzir à perda de controlo sobre a ferramenta.

Segurança eléctrica

- ▶ **A ficha da ferramenta eléctrica deve servir na tomada. A ficha não deve ser modificada de modo algum. Não utilize quaisquer adaptadores com ferramentas eléctricas com ligação terra.** Fichas originais (não modificadas) e tomadas adequadas reduzem o risco de choque eléctrico.
- ▶ **Evite o contacto do corpo com superfícies ligadas à terra, como, por exemplo, canos, radiadores, fogões e frigoríficos.** Existe um risco elevado de choque eléctrico se o corpo estiver com ligação à terra.
- ▶ **As ferramentas eléctricas não devem ser expostas à chuva nem à humidade.** A infiltração de água numa ferramenta eléctrica aumenta o risco de choque eléctrico.
- ▶ **Não use o cabo de ligação para transportar, pendurar ou desligar a ferramenta eléctrica da tomada. Mantenha o cabo de ligação afastado de calor, óleo, arestas vivas ou partes em movimento.** Cabos de ligação danificados ou emaranhados aumentam o risco de choque eléctrico.
- ▶ **Quando operar uma ferramenta eléctrica ao ar livre, utilize apenas cabos de extensão próprios para utilização no exterior.** A utilização de um cabo de extensão próprio para utilização no exterior reduz o risco de choques eléctricos.
- ▶ **Utilize um disjuntor diferencial se não puder ser evitada a utilização da ferramenta eléctrica em ambiente húmido.** A utilização de um disjuntor diferencial reduz o risco de choque eléctrico.

Segurança física

- ▶ **Esteja alerta, observe o que está a fazer, e tenha prudência ao trabalhar com uma ferramenta eléctrica. Se estiver cansado ou sob influência de drogas, álcool ou medicamentos não efectue nenhum trabalho com ferramentas eléctricas.** Um momento de distração ao operar a ferramenta eléctrica pode causar ferimentos graves.
- ▶ **Use equipamento de segurança. Use sempre óculos de protecção.** Equipamento de segurança, como, por exemplo, máscara antipoeiras, sapatos de segurança antiderrapantes, capacete de segurança ou protecção auricular, de acordo com o tipo e aplicação da ferramenta eléctrica, reduzem o risco de lesões.
- ▶ **Evite um arranque involuntário. Assegure-se de que a ferramenta eléctrica está desligada antes de a ligar à fonte de alimentação e/ou à bateria, pegar nela ou a transportar.** Transportar a ferramenta eléctrica com o dedo no interruptor ou ligar uma ferramenta à tomada com o interruptor ligado (ON) pode resultar em acidentes.
- ▶ **Remova quaisquer chaves de ajuste (chaves de fenda), antes de ligar a ferramenta eléctrica.** Um acessório ou chave deixado preso numa parte rotativa da ferramenta pode causar ferimentos.
- ▶ **Evite posturas corporais desfavoráveis. Mantenha sempre uma posição correcta, em perfeito equilíbrio.** Desta forma será mais fácil manter o controlo sobre a ferramenta eléctrica em situações inesperadas.
- ▶ **Use roupa apropriada. Não use roupa larga ou jóias. Mantenha o cabelo, vestuário e luvas afastados das peças móveis.** Roupas largas, jóias ou cabelos compridos podem ficar presos nas peças móveis.
- ▶ **Se poderem ser montados sistemas de remoção e de recolha de pó, assegure-se de que estes estão ligados e são utilizados correctamente.** A utilização de um sistema de remoção de pó pode reduzir os perigos relacionados com a exposição ao mesmo.
- ▶ **Não se acomode numa falsa sensação de segurança e não ignore os regulamentos de segurança para ferramentas eléctricas, mesmo se estiver familiarizado com a ferramenta eléctrica após numerosas utilizações.** Agir de forma descuidada pode causar ferimentos graves dentro duma fracção de segundo.

Utilização e manuseamento da ferramenta eléctrica

- ▶ **Não sobrecarregue a ferramenta. Use para o seu trabalho a ferramenta eléctrica correcta.** Com a ferramenta eléctrica adequada obterá maior eficiência e segurança se respeitar os seus limites.



- ▶ **Não utilize a ferramenta eléctrica se o interruptor estiver defeituoso.** Uma ferramenta eléctrica que já não possa ser accionada pelo interruptor é perigosa e deve ser reparada.
- ▶ **Retire a ficha da tomada e/ou remova uma bateria amovível antes de efectuar ajustes na ferramenta, substituir acessórios ou guardar a ferramenta.** Esta medida preventiva evita o accionamento accidental da ferramenta eléctrica.
- ▶ **Guarde ferramentas eléctricas não utilizadas fora do alcance das crianças. Não permita que a ferramenta seja utilizada por pessoas não familiarizadas com a mesma ou que não tenham lido estas instruções.** Ferramentas eléctricas operadas por pessoas não treinadas são perigosas.
- ▶ **Faça uma manutenção regular de ferramentas eléctricas e acessórios. Verifique se as partes móveis funcionam perfeitamente e não emperram ou se há peças quebradas ou danificadas que possam influenciar o funcionamento da ferramenta eléctrica. Peças danificadas devem ser reparadas antes da utilização da ferramenta.** Muitos acidentes são causados por ferramentas eléctricas com manutenção deficiente.
- ▶ **Mantenha as ferramentas de corte sempre afiadas e limpas.** Acessórios com gumes afiados tratados correctamente emperram menos e são mais fáceis de controlar.
- ▶ **Utilize a ferramenta eléctrica, acessórios, bits, etc., de acordo com estas instruções. Tome também em consideração as condições de trabalho e o trabalho a ser efectuado.** A utilização da ferramenta eléctrica para outros fins além dos previstos, pode ocasionar situações de perigo.
- ▶ **Mantenha punhos e respectivas superfícies secos, limpos e isentos de óleo e gordura.** Punhos e superfícies afins escorregadios não permitem um manuseamento e controlo seguro da ferramenta eléctrica em situações imprevistas.

Manutenção

- ▶ **A sua ferramenta eléctrica só deve ser reparada por pessoal qualificado e só devem ser utilizadas peças sobressalentes originais.** Isto assegurará que a segurança da ferramenta eléctrica se mantenha.

2.2 Normas de segurança para serras com lâmina a fazer movimento de vaivém

- ▶ **Segure a ferramenta eléctrica pelas áreas isoladas dos punhos, quando executar trabalhos em que o acessório possa encontrar cabos eléctricos encobertos ou o próprio cabo de ligação.** O contacto com um cabo sob tensão também pode colocar partes metálicas da ferramenta sob tensão e causar um choque eléctrico.
- ▶ **Fixe e proteja a ferramenta com sargentos ou de uma outra forma numa base estável.** Se segurar a peça a trabalhar apenas com a mão ou se a segurar contra o seu corpo, esta permanece instável, o que poderá dar origem à perda de controlo.

2.3 Normas de segurança adicionais

Segurança física

- ▶ Utilize o aparelho somente se estiver em perfeitas condições técnicas.
- ▶ Nunca efectue quaisquer manipulações ou modificações na ferramenta.
- ▶ Segure a ferramenta sempre com as duas mãos nos punhos previstos para o efeito. Mantenha os punhos secos e limpos.
- ▶ Durante a utilização da ferramenta use óculos de protecção adequados, protecção auricular e luvas de protecção.
- ▶ Use luvas de protecção ao mudar o acessório. Tocar no acessório pode causar ferimentos por corte e queimaduras.
- ▶ Utilize óculos de protecção. Os estilhaços podem provocar ferimentos corporais, nomeadamente nos olhos.
- ▶ Antes de iniciar os trabalhos, apure a classe de perigo do pó gerado. Utilize um aspirador industrial com protecção aprovada e que esteja de acordo com as regulamentações locais sobre emissão de poeiras nocivas para o ambiente.
- ▶ Garanta uma boa ventilação do local de trabalho e, se necessário, use uma máscara de protecção respiratória, adequada para o respectivo pó. O contacto ou inalação do pó podem provocar reacções alérgicas e/ou doenças das vias respiratórias no utilizador ou em pessoas que se encontrem nas proximidades. Determinados pós, como os de carvalho ou de faia, são considerados cancerígenos, especialmente em combinação com aditivos para o tratamento de madeiras (cromato, produtos para a preservação de madeiras). Material que contenha amianto só pode ser manuseado por pessoal especializado.
- ▶ Faça pausas e exercícios para melhorar a circulação sanguínea nas mãos. Os trabalhos mais longos, devido às vibrações, podem causar distúrbios nos vasos sanguíneos ou no sistema nervoso dos dedos, mãos ou pulsos.



Segurança eléctrica

- ▶ Antes de iniciar os trabalhos, verifique o local de trabalho relativamente a cabos eléctricos encobertos, bem como tubos de gás e água. Partes metálicas externas da ferramenta podem causar um choque eléctrico se, inadvertidamente, danificarem uma linha eléctrica.

Utilização e manutenção de ferramentas eléctricas

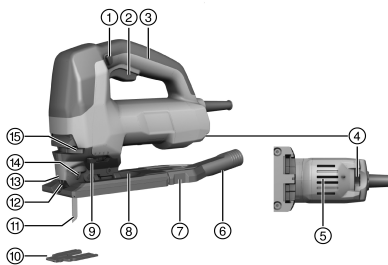
- ▶ Fixe a peça a trabalhar. Uma peça a trabalhar fixada com grampos ou num torno de bancada fica mais segura do que apenas com a mão.

Normas de segurança especiais para serras tico-tico

- ▶ Ao serrar, mantenha o produto sempre afastado do corpo.
- ▶ Nunca ponha as mãos na frente da lâmina nem toque na lâmina com as mãos.
- ▶ Nunca utilize a serra para serrar materiais desconhecidos e mantenha a área circundante à linha de corte livre de obstáculos.
- ▶ Enquanto estiver a serrar, não meta a mão debaixo da peça a trabalhar.

3 Descrição

3.1 Vista geral do produto 1



- ① Botão de bloqueio
- ② Interruptor on/off
- ③ Punho
- ④ Roda de ajuste para o número de cursos
- ⑤ Saídas de ar
- ⑥ Adaptador de aspiração
- ⑦ Gancho retentor
- ⑧ Placa base
- ⑨ Alavanca para regulagem do curso pendular
- ⑩ Protecção contra o arranque de aparas
- ⑪ Lâmina de serra
- ⑫ Protecção contra contactos acidentais
- ⑬ Resguardo
- ⑭ Mandril
- ⑮ Alavanca para o desbloqueio da lâmina de serra

3.2 Utilização conforme a finalidade projectada

O produto descrito é uma serra vertical excêntrica eléctrica de utilização manual. Foi concebida para cortar plásticos, madeiras e metais, assim como placas de gesso e de fibra.

O produto está equipado com um bocal amovível para um aspirador, dimensionado para tubos de aspirador usuais. Para unir a mangureira de aspiração ao produto poderá ser necessário um adaptador adequado.

Certifique-se de que a corrente eléctrica à qual a ferramenta é ligada está de acordo com a mencionada na placa de características.

- ▶ Para este produto utilize apenas lâminas de serra com engate em T (engate único).

3.3 Possível uso incorrecto

- O produto não pode ser utilizado para cortar ramos e troncos de árvore.
- O produto não pode ser utilizado para trabalhar materiais nocivos para a saúde.
- O produto não pode ser utilizado para trabalhos em ambiente húmido.

3.4 Ventilador

O ventilador envia um fluxo de ar para a lâmina de serra, de modo a manter a linha de corte livre de aparas.



3.5 Número de cursos

O número de cursos pode ser ajustado na roda de regulagem. A posição 1 corresponde a 800 cursos por minuto e a posição 6 corresponde a 3000 cursos por minuto.

Consoante a força com que se pressiona o interruptor On/Off, a velocidade de curso começa com 75 cursos por minuto e aumenta progressivamente até aos cursos definidos que estão ajustados na roda de regulagem.

3.6 Acção orbital de 4 níveis

Os 4 níveis de acção orbital permitem adaptar o rendimento e a imagem de corte ao material a ser processado. Com a alavanca para regulagem do curso pendular comuta-se entre os 4 níveis.

Quanto mais limpo e preciso a aresta de corte deva ser, menor deverá ser o grau de oscilação seleccionado. É possível averiguar o ajuste ideal através de ensaios práticos.

Estado	Significado
Posição 0	Sem acção orbital
Posição 1	Pequena acção orbital
Posição 2	Acção orbital média
Posição 3	Acção orbital grande

3.7 Botão bloqueador

O botão de bloqueio pode ser comutado para três posições.

1. A posição central é a posição normal: O botão de bloqueio pode ser visto à esquerda e à direita. Pode, p. ex., ser adaptado o número de cursos.
O interruptor On/Off pode ser pressionado e soltado.
2. O botão de bloqueio só pode ser visto à esquerda. Posição de transporte (a ferramenta não pode arrancar.)
O interruptor On/Off está bloqueado e não pode ser pressionado.
3. O botão de bloqueio só pode ser visto à direita. Depois de a ferramenta estar ligada (o interruptor On/Off está pressionado por completo), é possível pressionar o botão de bloqueio para a direita, para bloquear a posição "On". Para soltar o bloqueio é necessário voltar a pressionar o interruptor On/Off.

3.8 Protecção contra o arranque de aparas

O produto pode ser equipado com uma protecção contra o arranque de aparas.

A protecção contra o arranque de aparas evita que, ao cortar produtos derivados de madeira, a superfície da peça estilhaça.


3.9 Incluído no fornecimento

Serra vertical excêntrica com lâmina de serra, resguardo, adaptador de aspiração, protecção contra o arranque de aparas, manual de instruções, chave para sextavado interior.

Poderá encontrar outros produtos de sistema aprovados para o seu produto no seu Centro de Assistência Hilti ou online, em: www.hilti.com

4 Características técnicas

4.1 Serra vertical excêntrica

 Em caso de alimentação por um gerador ou transformador, a respectiva potência de saída mínima deverá corresponder ao dobro da potência nominal indicada na placa de características da ferramenta. A tensão de serviço do transformador ou gerador deverá encontrar-se sempre entre +5% e -15% da tensão nominal da ferramenta.

As indicações são válidas para uma tensão nominal de 230 V. As indicações podem variar, no caso de tensões diferentes e de versões apenas disponíveis em alguns países. Verifique sempre a tensão nominal, frequência e a potência ou a corrente nominais na placa de características.



	SJD 6
Potência nominal	850 W
Peso de acordo com o procedimento EPTA de 01	2,4 kg
Número de cursos em vazio	80 rpm ... 3 000 rpm
Altura de elevação	28 mm
Máximo rendimento de corte em madeira	150 mm
Máximo rendimento de corte em alumínio	25 mm
Máximo rendimento de corte em aço carbono	10 mm
Ângulo de corte (esquerda/direita)	0°, 15°, 30°, 45°
Diâmetro exterior do adaptador de aspiração	27,5 mm

4.2 Informação sobre o ruído e valores de vibração em conformidade com a EN 62841

Os valores de pressão acústica e de vibração indicados nestas instruções foram medidos em conformidade com um processo de medição normalizado, podendo ser utilizados para a intercomparação de ferramentas eléctricas. Estes valores são também apropriados para uma estimativa preliminar das exposições.

Os dados indicados representam as aplicações principais da ferramenta eléctrica. No entanto, se a ferramenta eléctrica for utilizada para outras aplicações, com acessórios diferentes dos indicados ou manutenção insuficiente, os dados podem diferir. Isso pode aumentar notoriamente as exposições durante todo o período de trabalho.

Para uma avaliação exacta das exposições também se devem considerar os períodos durante os quais a ferramenta está desligada ou, embora ligada, não esteja de facto a ser utilizada. Isso pode reduzir notoriamente as exposições durante todo o período de trabalho.

Defina medidas de segurança adicionais para protecção do operador contra a acção do ruído e/ou de vibrações, como, por exemplo: manutenção da ferramenta eléctrica e dos acessórios, medidas para manter as mãos quentes, organização dos processos de trabalho.

Valores de emissão de ruído

	SJD 6
Nível de emissão sonora (L_{WA})	100,5 dB(A)
Incerteza do nível de emissão sonora (K_{WA})	5 dB(A)
Nível de pressão da emissão sonora (L_{pA})	89,5 dB(A)
Incerteza do nível de pressão da emissão sonora (K_{pA})	5 dB(A)

Valor total das vibrações

	SJD 6
Valor da emissão de vibração para serrar placas de madeira ($a_{h,b}$)	9,7 m/s ²
Valor da emissão de vibração para serrar chapas metálicas ($a_{h,M}$)	8,0 m/s ²
Incerteza (K)	1,5 m/s ²


5 Utilização de extensões de cabo

AVISO

Perigo devido a cabo danificado! Se danificar o cabo enquanto trabalha, não lhe toque e desligue o aparelho imediatamente. Retire a ficha de rede da tomada.

- ▶ Verifique o cabo eléctrico regularmente. Se danificado, deve ser imediatamente substituído por um especialista.
- Utilize apenas cabos de extensão aprovados para o tipo de aplicação em causa e com a secção transversal adequada. A inobservância desta recomendação pode resultar numa perda de potência da ferramenta e no sobreaquecimento do cabo.
- Examine o cabo periodicamente em relação a eventuais danos.
- Substitua os cabos de extensão danificados.
- Em trabalhos de exterior, utilize apenas extensões com secção apropriada e correspondentemente indicadas.



 No final desta documentação encontrará as secções de cabo mínimas e comprimentos máximos sob a forma de código QR.

6 Preparação do local de trabalho

CUIDADO

Risco de ferimentos! Arranque inadvertido do produto.

- ▶ Retire a ficha antes de efectuar ajustes na ferramenta ou substituir acessórios.

Tenha em atenção as instruções de segurança e as advertências nesta documentação e no produto.

6.1 Colocar a lâmina de serra

1. Retire a ficha de rede da tomada.
2. Pressione a lâmina de serra (dentes no sentido de corte) no porta-ferramentas até que engate.
3. Puxando pela lâmina de serra, certifique-se de que está bem fixa.

6.2 Colocar o resguardo

- ▶ Empurre o resguardo de frente sobre o produto até que encaixe.

6.3 Montar o adaptador de aspiração

1. Empurre o adaptador de aspiração pelo lado de trás, horizontalmente, para dentro da placa base, até que os dois ganchos retentores engatem lateralmente.
2. Conecte a mangueira do aspirador ao adaptador de aspiração.

6.4 Ajustar a acção orbital

1. Determine a regulagem correcta do curso pendular com base nas exigências da respectiva lâmina de serra.
2. Coloque a alavanca para regulagem do curso pendular num dos quatro níveis → Página 27.

6.5 Regular a velocidade



Determine o ajuste com base nas respectivas exigências da lâmina de serra.

- ▶ No botão regulador ajuste um número de cursos entre 1 (pequeno) e 6 (grande).

6.6 Ajustar o ângulo de corte

1. Desmonte o adaptador de aspiração. → Página 30
2. Rode a alavanca de aperto 90° para trás.
3. Ajuste o ângulo de corte pretendido (0°, 15°, 30° ou 45°).
4. Rode a alavanca de aperto 90° para a frente.
 - ▶ A placa base está fixa.
5. Monte o adaptador de aspiração. → Página 29

6.7 Montar a protecção contra o arranque de aparas



A protecção contra o arranque de aparas só pode ser utilizada para lâminas de serra previstas para o efeito.

1. Retire a ficha de rede da tomada.
2. Pressione a protecção contra o arranque de aparas pelo lado de baixo, para dentro da placa base.



7 Trabalhar

AVISO

Perigo devido a cabo danificado! Se danificar o cabo enquanto trabalha, desligue imediatamente o aparelho e o cabo da rede elétrica. Não toque no local com defeito!

- ▶ Verifique regularmente todos os cabos de alimentação. Substitua o cabo de extensão defeituoso. Mandar substituir os cabos de alimentação danificados por um especialista reconhecido.

Por princípio, recomendamos a utilização de um disjuntor diferencial (RCD) com uma corrente de disparo de, no máximo, 30 mA.

7.1 Sistema de remoção de pó



O sistema de remoção de pó diminui a carga de pó, aumenta a segurança de trabalho graças a uma melhor visibilidade sobre o corte e impede maiores cargas de pó e aparas no local de trabalho.

1. Coloque o resguardo. → Página 29
2. Conecte o adaptador de aspiração e o dispositivo de aspiração, se trabalhar durante um período mais prolongado com madeira ou materiais em que podem ocorrer grandes concentrações de pó.

7.2 Ligar

1. Pressione o interruptor (ON/OFF).
2. Para travar o interruptor pressione em seguida o botão de bloqueio.
3. Para desbloquear o travamento volte a pressionar o interruptor On/Off.

7.3 Corte por afundamento

1. Coloque a alavanca para regulagem do curso pendular na posição 0.
2. Coloque o produto sobre a peça a cortar com o rebordo anterior da placa base.
3. Segure o produto e pressione o interruptor On/Off.
4. Pressione o produto firmemente contra a peça a trabalhar e mergulhe reduzindo o ângulo de incidência.
5. Assim que a lâmina tenha atravessado a peça a cortar, coloque o produto na posição de trabalho normal.
 - ▶ A placa base apoia com a superfície inteira.
6. Continue a cortar ao longo da linha de corte.

7.4 Desligar

- ▶ Largue o interruptor on/off.

8 Desmontagem



CUIDADO

Risco de ferimentos! Arranque inadvertido do produto.

- ▶ Retire a ficha antes de efectuar ajustes na ferramenta ou substituir acessórios.

Tenha em atenção as instruções de segurança e as advertências nesta documentação e no produto.

8.1 Desmontar o adaptador de aspiração

1. Pressione os dois ganchos retentores para dentro.
2. Extraia o adaptador de aspiração para trás, para fora da placa base.
3. Extraia o tubo flexível do aspirador do adaptador de aspiração.

8.2 Retirar o resguardo

- ▶ Enviese ligeiramente o resguardo e retire-o pela frente.



8.3 Ejectar lâmina de serra

AVISO

Risco de ferimentos. A ejeção descontrolada da lâmina de serra pode dar origem a ferimentos.

- ▶ Ao ejectar a lâmina de serra, segure o produto de forma a que pessoas ou animais não possam ser feridos devido à ejeção da lâmina de serra.

1. Retire a ficha de rede da tomada.
2. Pressione a alavanca do desbloqueio da lâmina de serra para o lado, até ao encosto.
 - ▶ A lâmina de serra é solta e ejectada.

9 Conservação e manutenção

AVISO

Perigo devido a choque eléctrico! A conservação e manutenção com a ficha de ligação inserida pode originar ferimentos graves e queimaduras.

- ▶ Retirar sempre a ficha de ligação antes de todos os trabalhos de conservação e manutenção!

Conservação

- Remover sujidade aderente com cuidado.
- Limpe as saídas de ar cuidadosamente com uma escova seca.
- Limpar a carcaça apenas com um pano ligeiramente humedecido. Não utilizar produtos de conservação que contenham silicone, uma vez que estes poderiam danificar os componentes de plástico.

Manutenção

AVISO

Perigo devido a choque eléctrico! Reparações incorrectas em peças eléctricas podem causar ferimentos e queimaduras graves.

- ▶ As reparações na parte eléctrica apenas podem ser executadas por um electricista especializado.
- Verificar, regularmente, todos os componentes visíveis quanto a danos e os comandos operativos quanto a funcionamento perfeito.
- Em caso de danos e/ou perturbações de funcionamento, não operar o produto. Mandar reparar de imediato pelo Centro de Assistência Técnica **Hilti**.
- Após os trabalhos de conservação e manutenção, aplicar todos os dispositivos de protecção e verificar o respectivo funcionamento.



Para um funcionamento seguro, utilize apenas peças sobresselentes e consumíveis originais. Poderá encontrar peças sobresselentes, consumíveis e acessórios aprovados por nós para o seu produto no seu **Hilti Store** ou em: www.hilti.group.

9.1 Limpar o adaptador de aspiração

1. Retire a ficha de rede da tomada.
2. Remova a mangueira do aspirador para fora do adaptador de aspiração.
3. Desmonte o adaptador de aspiração. → Página 30
4. Limpe o adaptador de aspiração.
5. Certifique-se de que os ganchos retentores não estão danificados.
6. Monte o adaptador de aspiração. → Página 29

9.2 Limpar as lâmina de serra

1. Elimine regularmente a resina das lâminas de serra utilizadas.
2. Coloque as lâminas de serra durante 24 horas mergulhadas em petróleo ou um produto comum para eliminação da resina.



10 Transporte e armazenamento

Transporte

- ▶ Não transporte este produto com a ferramenta inserida.
- ▶ Certificar-se de que está bem apertado durante o transporte.
- ▶ Após cada transporte, verifique todos os componentes visíveis quanto a danos e os comandos operativos quanto a funcionamento perfeito.

Armazenamento

- ▶ Armazene este produto sempre com a ficha de rede retirada.
- ▶ Guarde este produto num local seco e fora do alcance das crianças e pessoas não autorizadas.
- ▶ Após um armazenamento prolongado, verifique todos os componentes visíveis quanto a danos e os comandos operativos quanto a funcionamento perfeito.

11 Ajuda em caso de avarias

No caso de avarias que não sejam mencionadas nesta tabela ou se não conseguir resolvê-las por si mesmo, contacte o nosso Centro de Assistência Técnica **Hilti**.

Avaria	Causa possível	Solução
A lâmina de serra cai para fora.	Lâmina de serra não está bem bloqueada.	<ul style="list-style-type: none"> ▶ Repita o processo de fixação. ▶ Certifique-se de que o porta-ferramentas está completamente aberto e que a lâmina de serra é pressionada para dentro contra a resistência.
	Sistema de fixação sujo.	▶ Limpe o porta-ferramentas.
Impossível inserir a lâmina de serra.	Sistema de fixação sujo.	▶ Limpe o porta-ferramentas.
Impossível regular acção orbital.	Ranhura do selector orbital suja.	▶ Limpe a sujidade da ranhura do selector orbital.
Acção orbital não funciona.	Mecanismo de oscilação sujo.	▶ Verifique se existe sujidade na zona da forqueta do selector e elimine-a.
	Selector orbital está na posição "0".	▶ Ajuste o valor pretendido.
A ferramenta eléctrica fica muito quente.	Avaria eléctrica.	<ul style="list-style-type: none"> ▶ Desligue imediatamente a ferramenta e puxe o cabo de alimentação para fora. ▶ Deixe a ferramenta arrefecer e dirija-se ao Centro de Assistência Técnica Hilti.

12 Reciclagem

As ferramentas **Hilti** são, em grande parte, fabricadas com materiais recicláveis. Um pré-requisito para a reciclagem é que esses materiais sejam devidamente separados. Em muitos países, a **Hilti** aceita a sua ferramenta usada para reutilização. Para mais informações dirija-se ao Serviço de Clientes **Hilti** ou ao seu vendedor.



- ▶ Não deite as ferramentas eléctricas, aparelhos electrónicos e baterias no lixo doméstico!

13 RoHS (directiva relativa à limitação de utilização de substâncias perigosas)

Nas seguintes hiperligações encontra a tabela Substâncias perigosas: qr.hilti.com/r5212956

Na parte final desta documentação encontra sob a forma de código QR uma hiperligação para a tabela RoHS.



14 Garantia do fabricante

- ▶ Em caso de dúvidas quanto às condições de garantia, contacte o seu parceiro Hilti local.

Перевод оригинального руководства по эксплуатации

1 Указания к документации

1.1 Об этом документе



Импортер и уполномоченная изготовителем организация

- (RU) Российская Федерация
АО "Хилти Дистрибьюшн ЛТД", 141402, Московская область, г. Химки, ул. Ленинградская, стр. 25
- (BY) Республика Беларусь
222750, Минская область, Дзержинский район, Р-1, 18-й км, 2 (около д. Слободка), помещение 1-34
- (KZ) Республика Казахстан
Республика Казахстан, индекс 050057, г. Алматы, ул. Тимирязева 42, павильон 15-9
Қазақстан Республикасы, 050057, Алматы қ., Тимирязев кешесі, 15-9 павильоны
- (AM) Республика Армения
ООО Эйч-Кон, Республика Армения, г. Ереван, ул. Бабааян 10/1

Страна производства: см. маркировочную табличку на оборудовании.

Дата производства: см. маркировочную табличку на оборудовании.

Соответствующий сертификат можно найти по адресу: www.hilti.ru

Специальных требований к условиям хранения, транспортировки и использования, кроме указанных в руководстве по эксплуатации, нет.

Срок службы изделия составляет 5 лет.

- Ознакомьтесь с этим документом перед началом работы. Это является залогом безопасной работы и бесперебойной эксплуатации.
- Соблюдайте указания по технике безопасности и предупреждающие указания, приводимые в данном документе и на изделии.
- Храните руководство по эксплуатации всегда рядом с электроинструментом и передавайте электроинструмент будущим владельцам только вместе с этим руководством.

1.2 Пояснение к знакам (условным обозначениям)

1.2.1 Предупреждающие указания

Предупреждающие указания служат для предупреждения об опасностях при обращении с машиной. Используются следующие сигнальные слова:



ОПАСНО

ОПАСНО !

- ▶ Общее обозначение непосредственной опасной ситуации, которая влечет за собой тяжелые травмы или смертельный исход.



ПРЕДУПРЕЖДЕНИЕ

ПРЕДУПРЕЖДЕНИЕ !

- ▶ Общее обозначение потенциально опасной ситуации, которая может повлечь за собой тяжелые травмы или смертельный исход.



ОСТОРОЖНО

ОСТОРОЖНО !

- ▶ Общее обозначение потенциально опасной ситуации, которая может повлечь за собой легкие травмы или повреждение оборудования.



1.2.2 Символы, используемые в руководстве

В этом руководстве используются следующие символы:

	Перед использованием прочтите руководство по эксплуатации.
	Указания по эксплуатации и другая полезная информация
	Обращение с материалами, пригодными для вторичной переработки
	Не выбрасывайте электроустройства и аккумуляторы вместе с обычным мусором!

1.2.3 Символы на изображениях

На изображениях используются следующие символы:

	Эти цифры указывают на соответствующее изображение в начале данного руководства.
3	Нумерация на изображениях отображает порядок выполнения рабочих операций и может отличаться от нумерации, используемой в тексте.
	Номера позиций используются в обзорном изображении. В обзоре изделия они указывают на номера в экспликации.
	Этот знак должен привлечь особое внимание пользователя при обращении с изделием.

1.3 Символы в зависимости от изделия

1.3.1 Символы на изделии

На изделии используются следующие символы:

n_0	Частота ходов в холостом режиме
	Устройство поддерживает технологию NFC, совместимую с платформами iOS и Android.

1.4 Информация об изделии

Изделия предназначены для профессионального использования, поэтому они должны обслуживаться и ремонтироваться только уполномоченным и обученным персоналом. Этот персонал должен пройти специальный инструктаж по технике безопасности. Использование данного электроинструмента и его оснастки не по назначению или его эксплуатация необученным персоналом могут представлять опасность.

Типовое обозначение и серийный номер указаны на заводской табличке.

- ▶ Перепишите серийный номер в нижеприведенную табличную форму. Всегда вводите эту информацию при обращении с запросами по изделию в наше представительство или сервисный центр.
- ▶ Перепишите серийный номер в нижеприведенную табличную форму. Всегда вводите эту информацию при обращении с запросами по изделию в наше представительство или сервисный центр.

Указания к изделию

Маятниковый электролобзик	SJD 6
Поколение	01
Серийный №	

1.5 Декларация соответствия нормам

Настоящим мы с полной ответственностью заявляем, что данное изделие соответствует действующим директивам и нормам. Копию декларации соответствия нормам см. в конце этого документа.

Техническая документация (оригиналы) хранится здесь:

Hilti Entwicklungsgesellschaft mbH | Zulassung Geräte | Hiltistraße 6 | 86916 Kaufering, Германия



2 Безопасность

2.1 Общие указания по технике безопасности для электроинструментов

⚠ ПРЕДУПРЕЖДЕНИЕ Изучите все указания по технике безопасности, инструкции, иллюстрации и технические данные, которые прилагаются к данному электроинструменту. Несоблюдение приводимых ниже указаний может привести к поражению электрическим током, пожару и/или тяжелым травмам.

Сохраните все указания по технике безопасности и инструкции для следующего пользователя. Используемый далее термин «электроинструмент» относится к электроинструменту, работающему от электрической сети (с кабелем электропитания) и от аккумулятора (без кабеля электропитания).

Безопасность рабочего места

- ▶ Следите за чистой и хорошей освещенностью на рабочем месте. Беспорядок на рабочем месте или плохое освещение могут привести к несчастным случаям.
- ▶ Не используйте электроустройство/электроинструмент во взрывоопасной зоне, где имеются горючие жидкости, газы или пыль. При работе электроустройство/электроинструмент искрит, и искры могут воспламенить пыль или пары/газы.
- ▶ Не разрешайте детям и посторонним приближаться к работающему электроустройству/электроинструменту. Отвлекаясь от работы, можно потерять контроль над электроустройством/электроинструментом.

Электрическая безопасность

- ▶ Соединительная вилка электроинструмента должна соответствовать розетке электросети. Не изменяйте конструкцию вилки! Не используйте переходные вилки с электроинструментами с защитным заземлением. Использование оригинальных вилок и соответствующих им розеток снижает риск поражения электрическим током.
- ▶ Избегайте непосредственного контакта с заземленными поверхностями, например с трубами, отопительными приборами, газо-/электропластинами и холодильниками. При контакте с заземленными предметами возникает повышенный риск поражения электрическим током.
- ▶ Предохраняйте электроинструменты от дождя или воздействия влаги. В результате попадания воды в электроинструмент возрастает риск поражения электрическим током.
- ▶ Не используйте кабель электропитания не по назначению, например для переноски электроинструмента, его подвешивания или для выдергивания вилки из розетки электросети. Защищайте кабель электропитания от воздействий высоких температур, масла, острых кромок или вращающихся деталей/узлов. В результате повреждения или схлестывания кабелей электропитания повышается риск поражения электрическим током.
- ▶ Если работы с электроинструментом выполняются на открытом воздухе, применяйте только удлинительные кабели, которые разрешено использовать вне помещений. Использование удлинительного кабеля, пригодного для использования вне помещений, снижает риск поражения электрическим током.
- ▶ Если избежать работы с электроинструментом в условиях влажности не представляется возможным, используйте автомат защиты от тока утечки. Использование автомата защиты от тока утечки снижает риск поражения электрическим током.

Безопасность персонала

- ▶ Будьте внимательны, следите за своими действиями и серьезно относитесь к работе с электроинструментом. Не пользуйтесь электроинструментом, если вы устали или находитесь под действием наркотиков, алкоголя или медикаментов. Незначительная ошибка при невнимательной работе с электроинструментом может стать причиной серьезного травмирования.
- ▶ Используйте средства индивидуальной защиты и всегда надевайте защитные очки. Использование средств индивидуальной защиты, например респиратора, защитной обуви на нескользящей подошве, защитной каски или защитных наушников, в зависимости от вида и условий эксплуатации электроинструмента, снижает риск травмирования.
- ▶ Избегайте непреднамеренного включения электроинструмента. Убедитесь в том, что электроинструмент выключен, прежде чем подключить его к электропитанию и/или вставить аккумулятор, поднимать или переносить электроинструмент. Ситуации, когда при переносе электроинструмента палец находится на выключателе или когда включенный электроинструмент подключается к электросети, могут привести к несчастным случаям.
- ▶ Перед включением электроинструмента удалите регулировочные приспособления или гаечные ключи. Рабочий инструмент или гаечный ключ, находящийся во вращающейся части электроинструмента, может стать причиной получения травм.



- ▶ **Старайтесь избегать неестественных поз при работе. Постоянно сохраняйте устойчивое положение и равновесие.** Это позволит лучше контролировать электроинструмент в непредвиденных ситуациях.
- ▶ **Носите спецодежду. Не надевайте очень свободную одежду или украшения. Оберегайте волосы, одежду и защитные перчатки от вращающихся узлов электроинструмента.** Свободная одежда, украшения и длинные волосы могут быть захвачены ими.
- ▶ **Если предусмотрено подсоединение устройств для удаления и сбора пыли, убедитесь в том, что они подсоединены и используются по назначению.** Использование пылеудаляющего аппарата снижает вредное воздействие пыли.
- ▶ **Не пребывайте в ложной уверенности в собственной безопасности и не пренебрегайте правилами техники безопасности для электроинструментов, даже если вы являетесь опытным пользователем электроинструмента.** Неосторожное обращение может в течение долей секунды стать причиной получения тяжелых травм.

Использование и обслуживание электроинструмента

- ▶ **Не допускайте перегрузки электроинструмента. Используйте электроинструмент, предназначенный именно для данной работы.** Соблюдение этого правила обеспечит более высокое качество и безопасность работы в указанном диапазоне мощности.
- ▶ **Не используйте электроинструмент с неисправным выключателем.** Электроинструмент, включение или выключение которого затруднено, представляет опасность и должен быть отремонтирован.
- ▶ **Прежде чем приступить к регулировке электроинструмента, замене принадлежностей или перед перерывом в работе выньте вилку из розетки и/или аккумулятор из электроинструмента.** Данная мера предосторожности позволит предотвратить непреднамеренное включение электроинструмента.
- ▶ **Храните неиспользуемые электроинструменты в местах, недоступных для детей. Не позволяйте использовать электроинструмент лицам, которые не ознакомлены с ним или не читали эти инструкции.** Электроинструменты представляют собой опасность в руках неопытных пользователей.
- ▶ **Бережно обращайтесь с электроинструментами и принадлежностями. Проверяйте безупречное функционирование подвижных частей, легкость их хода, целостность и отсутствие повреждений, которые могли бы отрицательно повлиять на работу электроинструмента. Сдавайте поврежденные части электроинструмента в ремонт до его использования.** Причиной многих несчастных случаев является несоблюдение правил технического обслуживания электроинструментов.
- ▶ **Необходимо следить за тем, чтобы режущие инструменты были острыми и чистыми.** Заклинивание содержащихся в надлежащем состоянии режущих инструментов происходит реже, ими легче управлять.
- ▶ **Применяйте электроинструмент, принадлежности (оснастку), рабочие инструменты и т. д. согласно данным указаниям. Учитывайте при этом рабочие условия и характер выполняемой работы.** Использование электроинструментов не по назначению может привести к опасным ситуациям.
- ▶ **Замасленные рукоятки и поверхности для хвата немедленно очищайте — они должны быть сухими и чистыми.** Скользкие рукоятки и поверхности для хвата не обеспечивают безопасное управление и контроль электроинструмента в непредвиденных ситуациях.

Сервис

- ▶ **Доверяйте ремонт своего электроинструмента только квалифицированному персоналу, использующему только оригинальные запчасти.** Этим обеспечивается поддержание электроинструмента в безопасном и исправном состоянии.

2.2 Указания по технике безопасности для пил с подвижным пильным полотном

- ▶ **При опасности повреждения рабочим инструментом скрытой электропроводки или кабеля электропитания электроинструмента держите электроинструмент за изолированные поверхности.** При контакте с токопроводящей линией металлические части электроинструмента также находятся под напряжением, что может привести к поражению электрическим током.
- ▶ **Закрепляйте и фиксируйте заготовку с помощью струбцин или иным надежным способом на прочном основании.** Если удерживать заготовку только рукой или прижимать к туловищу, она остается подвижной, что может привести к потере контроля.



2.3 Дополнительные указания по технике безопасности

Безопасность персонала

- ▶ Используйте электроинструмент только в технически исправном состоянии.
- ▶ Внесение изменений в конструкцию электроинструмента или его модификация категорически запрещаются.
- ▶ Всегда надежно удерживайте электроинструмент обеими руками за предусмотренные для этого рукоятки. Следите за тем, чтобы рукоятки были сухими и чистыми.
- ▶ При работе с электроинструментом надевайте подходящие защитные очки, защитные наушники и защитные перчатки.
- ▶ При смене рабочего инструмента пользуйтесь защитными перчатками. Соблюдайте осторожность при замене рабочего инструмента — контакт с ним может привести к порезам и ожогам.
- ▶ Пользуйтесь защитными очками. Осколки материала могут травмировать тело и глаза.
- ▶ Перед началом работы выясните по материалу заготовки класс опасности возникающей пыли. Для работы с электроинструментом используйте строительный (промышленный) пылесос, степень защиты которого соответствует нормам пылезащиты, действующим в месте эксплуатации.
- ▶ Обеспечьте оптимальную вентиляцию рабочей зоны и при необходимости надевайте респиратор, который подходит для защиты от конкретного вида пыли. Вдыхание частиц такой пыли или контакт с ней может стать причиной появления аллергических реакций и/или заболеваний дыхательных путей как у пользователя, так и находящихся вблизи лиц. Некоторые виды пыли (например, пыль, возникающая при обработке дуба или бука) считаются канцерогенными, особенно в комбинации с дополнительными материалами, используемыми для обработки древесины (соль хромовой кислоты, средства защиты древесины). К работам с асбестосодержащим материалом должны допускаться только специалисты.
- ▶ Чтобы во время работы руки не затекали, время от времени делайте упражнения для расслабления и разминки пальцев. При длительной работе возникающие вибрации могут привести к нарушениям кровоснабжения сосудов или в нервных окончаниях пальцев/кистей рук или в запястьях.

Электрическая безопасность

- ▶ Перед началом работы проверяйте рабочее место на наличие скрытой электропроводки, газо- и водопроводных труб. Открытые металлические части электроинструмента могут стать проводниками электрического тока, если случайно задеть электропроводку.

Бережное обращение с электроинструментами и их правильная эксплуатация

- ▶ Надежно фиксируйте заготовку. Зажатая с помощью струбцин или тисков заготовка удерживается надежнее, чем рукой.

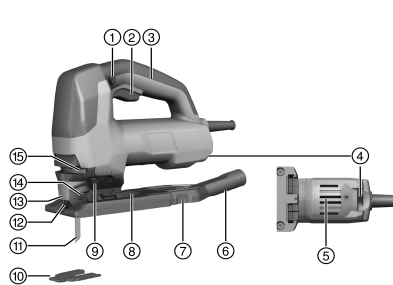
Специальные указания по технике безопасности при работе с лобзиками

- ▶ При пилении ведите электроинструмент только от себя.
- ▶ Во время работы держите руки на безопасном расстоянии от пильного полотна; не держите их перед пильным полотном.
- ▶ При пилении никогда не погружайте полотно в непроверенные основания и полости. Убедитесь в отсутствии помех над заготовкой и под ней по всей длине пропила.
- ▶ При пилении не держите заготовку снизу.



3 Описание

3.1 Обзор изделия 1



- ① Стопорная кнопка
- ② Выключатель
- ③ Рукоятка
- ④ Регулятор (колесико) для установки частоты ходов
- ⑤ Вентиляционные прорези
- ⑥ Адаптер системы пылеудаления
- ⑦ Крючок фиксации
- ⑧ Опорная пластина
- ⑨ Рычаг регулировки маятникового хода
- ⑩ Противоскользящая защита
- ⑪ Пильное полотно
- ⑫ Защита от контакта
- ⑬ Кожух
- ⑭ Зажимной патрон
- ⑮ Рычаг разблокировки полотна

3.2 Использование по назначению

Данное изделие представляет собой ручной электрический маятниковый электролобзик, который предназначен для резки пластмассы, древесины и металла, а также гипсокартонных и волокнистых плит.

Лобзик оснащен съемным соединительным шуточером для подключения доступного в виде опции пылесоса. Подключение предназначено для стандартных всасывающих шлангов. Для подсоединения всасывающего шланга (пылесоса) к лобзику может потребоваться подходящий переходник.

Его эксплуатация возможна только при напряжении и частоте электросети, соответствующих указанным на заводской табличке.

- Используйте для этого электроинструмента только пильные полотна с Т-образным (одноулачковым) хвостовиком.

3.3 Возможное использование не по назначению

- Данный электроинструмент не предназначен для спиливания веток и стволов деревьев.
- Данный электроинструмент запрещается использовать для обработки опасных для здоровья материалов.
- Данный электроинструмент запрещается использовать во влажной среде.

3.4 Устройство сдува опилок

Устройство сдува опилок направляет на пильное полотно струю воздуха, которая сдувает опилки с линии пропила.

3.5 Частота ходов

Частоту ходов можно отрегулировать с помощью регулятора (колесика). Позиция «1» соответствует 800 ходам в минуту, позиция «6» — 3000 ходам в минуту.

В зависимости от усилия нажима на выключатель частота ходов начинается с 75 ходов в минуту и повышается до определенного уровня, установленного на регуляторе (колесике).

3.6 4-ступенчатая регулировка маятникового хода

Глубина и качество реза устанавливаются в зависимости от обрабатываемого материала посредством 4-ступенчатой регулировки маятникового хода. Переключение между 4 ступенями выполняется с помощью рычага.

Чем меньше ступень маятникового хода, тем более чистой и гладкой будет кромка реза. Оптимальная ступень определяется путем пробных резов.



Состояние	Значение
Ступень 0	Без маятникового хода
Ступень 1	Небольшой маятниковый ход
Ступень 2	Средний маятниковый ход
Ступень 3	Большой маятниковый ход

3.7 Кнопка фиксатора

Кнопка фиксатора может находиться в трех положениях.

- Среднее положение является стандартным положением: кнопка фиксатора видна слева и справа. Можно, например, настроить частоту ходов. Выключатель можно нажимать и отжимать.
- Кнопка фиксатора видна только слева: положение транспортировки (невозможно запустить электроинструмент) Выключатель заблокирован, не нажимается.
- Кнопка фиксатора видна только справа: после включения электроинструмента (выключатель полностью нажат), кнопку фиксатора можно нажать вправо, чтобы зафиксировать положение «Вкл.». Для расфиксации блокировки следует снова нажать выключатель.

3.8 Противоскользящая защита

Электроинструмент может оснащаться противоскользящей защитой, которая предотвращает вырывание верхних слоев древесины при пилении деревянных заготовок.

3.9 Комплект поставки

Маятниковый электролобзик с пильным полотном, кожух, адаптер системы пылеудаления, противоскользящая защита, руководство по эксплуатации, ключ-шестигранник.

Другие системные принадлежности, допущенные для использования с вашим изделием, спрашивайте в сервисном центре **Hilti** или смотрите на сайте www.hilti.com

4 Технические данные

4.1 Маятниковый электролобзик

- При запитывании от генератора/трансформатора его выходная мощность должна быть как минимум вдвое выше номинальной потребляемой мощности, которая указана на заводской табличке машины. Рабочее напряжение трансформатора или генератора должно всегда находиться в диапазоне между +5 % и -15 % номинального напряжения машины.
- Указания действительны для номинального напряжения 230 В. При ином напряжении и других (экспортных) исполнениях данные могут отличаться. Номинальное напряжение и частота, а также номинальная потребляемая мощность/номинальный ток указаны на заводской табличке.

	SJD 6
Номинальная потребляемая мощность	850 Вт
Масса согласно методу EPTA 01	2,4 кг
Частота ходов в холостом режиме	80 об/мин ... 3 000 об/мин
Длина хода	28 мм
Макс. глубина реза в древесине	150 мм
Макс. глубина реза в алюминии	25 мм
Макс. глубина реза в нелегированной стали	10 мм
Угол пропила (слева/справа)	0°, 15°, 30°, 45°
Наружный диаметр адаптера системы пылеудаления	27,5 мм



4.2 Данные по шуму и вибрациям согласно EN 62841

Приводимые здесь значения уровня звукового давления и вибрации были измерены согласно стандартизированной процедуре измерения и могут использоваться для сравнения электроинструментов между собой. Они также подходят для предварительной оценки вредных воздействий.

Указанные данные применимы к основным областям применения электроинструмента. Однако, если электроинструмент используется для других целей, с другими рабочими (сменными) инструментами или в случае его неудовлетворительного технического обслуживания, данные могут быть иными. Вследствие этого в течение всего периода работы электроинструмента возможно значительное увеличение вредных воздействий.

Для точного определения вредных воздействий следует также учитывать промежутки времени, в течение которых электроинструмент находится в выключенном состоянии или работает вхолостую. Вследствие этого в течение всего периода работы электроинструмента возможно заметное уменьшение вредных воздействий.

Примите дополнительные меры безопасности для защиты пользователя от воздействия возникающего шума и/или вибраций, например: техническое обслуживание электроинструмента и рабочих (сменных) инструментов, сохранение тепла рук, правильная организация рабочих процессов.

Значения уровня шума

	SJD 6
Уровень звуковой мощности (L_{WA})	100,5 дБ(A)
Погрешность уровня звуковой мощности (K_{WA})	5 дБ(A)
Уровень звукового давления (L_{pA})	89,5 дБ(A)
Погрешность уровня звукового давления (K_{pA})	5 дБ(A)

Общие значения вибрации

	SJD 6
Значение вибрации при пилении деревянных плит ($a_{h,v}$)	9,7 м/с ²
Значение вибрации при резке металлических листов ($a_{h,m}$)	8,0 м/с ²
Коэффициент погрешности (K)	1,5 м/с ²

5 Использование удлинительного кабеля



ПРЕДУПРЕЖДЕНИЕ

Опасность вследствие поврежденных кабелей! При повреждении кабеля электропитания или удлинительного кабеля во время работы ни в коем случае не прикасайтесь к ним. Выньте вилку кабеля электропитания из розетки.

- ▶ Регулярно проверяйте кабель электропитания электроинструмента. Замена поврежденного кабеля должна осуществляться специалистом-электриком.
- Используйте только допущенные для данной области применения удлинительные кабели с достаточным сечением. В противном случае возможна потеря мощности электроинструмента и перегрев кабеля.
- Регулярно проверяйте, не поврежден ли удлинительный кабель.
- Заменяйте поврежденные удлинительные кабели.
- При выполнении работ вне помещений используйте только допущенные к эксплуатации удлинительные кабели с соответствующей маркировкой.



Рекомендуемые значения минимально допустимого сечения и максимально возможной длины кабеля см. в конце этого документа по ссылке в виде QR-кода.

6 Подготовка к работе



ОСТОРОЖНО

Опасность травмирования! Непреднамеренное включение электроинструмента

- ▶ Перед регулировкой электроинструмента или заменой принадлежностей вынимайте вилку из розетки электросети.



Соблюдайте указания по технике безопасности и предупреждающие указания, приводимые в данном документе и на изделии.

6.1 Установка пыльного полотна 3

1. Выньте вилку кабеля электропитания из розетки электросети.
2. Вставьте пыльное полотно (зубьями по направлению реза) в зажимной патрон (до характерного щелчка).
3. Потяните за полотно, чтобы убедиться, что оно надежно зафиксировалось.

6.2 Установка кожуха 4

- ▶ Насадите кожух на переднюю часть электроинструмента так, чтобы он зафиксировался.

6.3 Установка адаптера системы пылеудаления 5

1. Надвиньте адаптер системы пылеудаления сзади горизонтально в опорную пластину до фиксации обоих крючков фиксации сбоку.
2. Подсоедините шланг пылесоса к адаптеру.

6.4 Регулировка маятникового хода 6

1. Указания по правильной регулировке маятникового хода см. в требованиях соответствующего пыльного полотна.
2. Установите рычаг регулировки маятникового хода на одну из четырех ступеней → страница 38.

6.5 Установка частоты ходов 7



Указания по правильной настройке см. в требованиях соответствующего пыльного полотна.

- ▶ С помощью регулятора установите частоту ходов между 1 (низкая) и 6 (высокая).

6.6 Регулировка угла реза 8

1. Демонтируйте адаптер системы пылеудаления. → страница 42
2. Отведите зажимной рычаг на 90° назад.
3. Установите нужный угол реза (0°, 15°, 30° или 45°).
4. Отведите зажимной рычаг на 90° вперед.
 - ▶ Опорная пластина зажата.
5. Смонтируйте адаптер системы пылеудаления. → страница 41

6.7 Установка противоскольной защиты 9



Противоскольная защита может использоваться только для предназначенных для этого пыльных полотен.

1. Выньте вилку кабеля электропитания из розетки электросети.
2. Вставьте противоскольную пластину в опорную пластину снизу.

7 Выполнение работ



ПРЕДУПРЕЖДЕНИЕ

Опасность вследствие поврежденных кабелей! При повреждении кабеля электропитания или удлинительного кабеля во время работы немедленно отсоедините электроинструмент и соответствующий кабель от электросети. Не касайтесь места повреждения!

- ▶ Регулярно проверяйте все соединительные кабели. Заменяйте поврежденные удлинительные кабели. Для замены поврежденных кабелей электропитания привлекайте опытного специалиста.



Обычно рекомендуется использовать автомат защиты от тока утечки (RCD) с максимальным током отключения 30 мА.

7.1 Удаление пыли



Система пылеудаления удаляет пыль с линии пропила и тем самым повышает безопасность работы, а также снижает пылевую нагрузку на рабочем месте.

1. Установите кожух. → страница 41
2. Поэтому подключайте адаптер системы пылеудаления и пылеудаляющее устройство, если вам в течение продолжительного времени приходится работать с древесиной или другими материалами, при обработке которых образуется большое количество пыли.

7.2 Включение

1. Нажмите выключатель.
2. Для фиксации выключателя нажмите затем кнопку фиксатора.
3. Для расфиксации нажмите выключатель повторно.

7.3 Врезное пиление

1. Установите рычаг регулировки маятникового хода в положение «0».
2. Установите электроинструмент передней кромкой опорной пластины на заготовку.
3. Удерживая электроинструмент, нажмите выключатель.
4. Плотно прижмите электроинструмент к заготовке и, уменьшая угол наклона, погружайте полотно в материал.
5. После прорезания заготовки установите электроинструмент в нормальное рабочее положение.
 - ▶ Опорная пластина прилегает всей поверхностью.
6. Продолжайте пилить по линии пропила.

7.4 Выключение

- ▶ Отпустите выключатель.

8 Демонтаж



ОСТОРОЖНО

Опасность травмирования! Непреднамеренное включение электроинструмента

- ▶ Перед регулировкой электроинструмента или заменой принадлежностей вынимайте вилку из розетки электросети.

Соблюдайте указания по технике безопасности и предупреждающие указания, приводимые в данном документе и на изделии.

8.1 Демонтаж адаптера системы пылеудаления

1. Прижмите оба крючка фиксации внутрь.
2. Отсоедините адаптер системы пылеудаления от опорной пластины движением назад.
3. Отсоедините шланг пылесоса от адаптера системы пылеудаления.

8.2 Снятия кожуха

- ▶ Слегка наклоните кожух и снимите его движением вперед.



8.3 Выталкивание пыльного полотна

ПРЕДУПРЕЖДЕНИЕ

Опасность травмирования! Неконтролируемое выталкивание пыльного полотна может привести к травмам.

► При выталкивании полотна держите электроинструмент таким образом, чтобы выталкиваемое полотно случайно не травмировало находящихся рядом людей и животных.

1. Выньте вилку кабеля электропитания из розетки электросети.
2. Сдвиньте рычаг фиксатора пыльного полотна в сторону до упора.
 - Пыльное полотно будет расфиксировано и вытолкнуто.

9 Уход и техническое обслуживание

ПРЕДУПРЕЖДЕНИЕ

Опасность травмирования вследствие удара электрическим током! Выполнение работ по уходу и обслуживанию с подключенной вилкой кабеля электропитания может привести к тяжелым травмам и ожогам.

► Перед проведением любых работ по уходу и обслуживанию всегда вынимайте из розетки вилку кабеля электропитания!

Уход

- Осторожно удаляйте налипшую грязь.
- Осторожно очищайте вентиляционные прорези сухой щеткой.
- Очищайте корпус только с помощью слегка увлажненной ткани. Не используйте средства по уходу с содержанием силикона, поскольку они могут повредить пластиковые детали.

Техническое обслуживание

ПРЕДУПРЕЖДЕНИЕ

Опасность вследствие удара электрического тока! Неквалифицированный ремонт компонентов электрической части может привести к получению серьезных травм и ожогам.

► Ремонт электрической части перфоратора поручайте только специалисту-электрику.

- Регулярно проверяйте все видимые части электроинструмента на отсутствие повреждений, а элементы управления — на исправное функционирование.
- При повреждениях и/или функциональных сбоях не используйте инструмент. Сразу сдавайте его в сервисный центр **Hilti** для ремонта.
- После ухода за электроинструментом и его технического обслуживания установите все защитные приспособления на место и проверьте их исправное функционирование.



Для обеспечения безопасной эксплуатации используйте только оригинальные запасные части и расходные материалы. Допущенные нами запасные части, расходные материалы и принадлежности для данного устройства вы можете найти в **Hilti Store** или на сайте **www.hilti.group**.

9.1 Очистка адаптера системы пылеудаления

1. Выньте вилку кабеля электропитания из розетки электросети.
2. Отсоедините шланг пылесоса от адаптера системы пылеудаления.
3. Демонтируйте адаптер системы пылеудаления. → страница 42
4. Очистите адаптер системы пылеудаления.
5. Проверьте, не повреждены ли крючки фиксации.
6. Смонтируйте адаптер системы пылеудаления. → страница 41

9.2 Очистка пыльных полотен

1. Регулярно удаляйте налипания смолы с используемых пыльных полотен.
2. Положите пыльные полотна на сутки в керосин или обычное средство для обессмоливания.



10 Транспортировка и хранение

Транспортировка

- ▶ Транспортировка этой установки с установленным рабочим инструментом запрещается.
- ▶ Убедитесь в надежной фиксации при транспортировке.
- ▶ Регулярно проверяйте все видимые части установки на отсутствие повреждений, а элементы управления — на исправное функционирование.

Хранение

- ▶ Храните эту установку всегда с вынутой вилкой кабеля электропитания.
- ▶ Храните эту установку в сухом и недоступном для детей и других лиц, не допущенных к работе, месте.
- ▶ Регулярно проверяйте все видимые части установки на отсутствие повреждений, а элементы управления — на исправное функционирование.

11 Помощь при неисправностях

В случае неисправностей, которые не указаны в этой таблице или которые вы не можете устранить самостоятельно, обращайтесь в ближайший сервисный центр **Hilti**.

Неисправность	Возможная причина	Решение
Пильное полотно выпадает.	Пильное полотно не закреплено должным образом.	<ul style="list-style-type: none"> ▶ Еще раз зажмите полотно. ▶ При этом обратите внимание на то, чтобы зажимное устройство было полностью открыто, а пильное полотно вставлялось с преодолением сопротивления.
	Загрязнена система зажима.	<ul style="list-style-type: none"> ▶ Очистите зажимное устройство.
Пильное полотно не вставляется.	Загрязнена система зажима.	<ul style="list-style-type: none"> ▶ Очистите зажимное устройство.
Не регулируется величина маятникового хода.	Паз рычага регулировки маятникового движения загрязнен.	<ul style="list-style-type: none"> ▶ Очистите от грязи паз рычага регулировки маятникового движения.
Маятниковый режим не работает.	Маятниковый механизм загрязнен.	<ul style="list-style-type: none"> ▶ Проверьте и при необходимости прочистите маятниковую вилку.
	Рычаг регулировки маятникового движения находится в положении «0».	<ul style="list-style-type: none"> ▶ Установите рычаг на нужную ступень.
Электроинструмент сильно нагревается.	Электрическая неисправность	<ul style="list-style-type: none"> ▶ Немедленно выключите электроинструмент и отсоедините кабель электропитания. ▶ Дайте электроинструменту остыть и обратитесь в сервисный центр Hilti.

12 Утилизация

Большинство материалов, из которых изготовлены электроинструменты **Hilti**, подлежит вторичной переработке. Перед утилизацией следует тщательно рассортировать материалы (для удобства их последующей переработки). Во многих странах фирма **Hilti** уже организовала прием старых (электро)инструментов (изделий) для утилизации. Дополнительную информацию по этому вопросу можно получить в отделе по обслуживанию клиентов или у консультантов по продажам фирмы **Hilti**.



- ▶ Не выбрасывайте электрические инструменты, электронные устройства/приборы и аккумуляторы вместе с обычным мусором!



13 RoHS (Директива об ограничении применения опасных веществ)

По этим ссылкам доступна таблица опасных веществ: qr.hilti.com/r5212956

Ссылку в виде QR-кода на таблицу опасных веществ согласно директиве RoHS см. в конце этого документа.

14 Гарантия производителя

- ▶ С вопросами относительно гарантийных условий обращайтесь в ближайшее представительство Hilti.

Оригінальна інструкція з експлуатації

1 Інформація про документацію

1.1 Інформація про цей документ

- Перш ніж розпочинати роботу з інструментом, прочитайте цей документ. Це є передумовою безпечної роботи та відсутності несправностей під час застосування інструмента.
- Дотримуйтеся попереджувальних вказівок та вказівок з техніки безпеки, наведених у цьому документі та на корпусі інструмента.
- Завжди зберігайте інструкцію з експлуатації поблизу інструмента та передавайте інструмент іншим особам лише разом з інструкцією.

1.2 Пояснення символів

1.2.1 Попереджувальні вказівки

Попереджувальні вказівки інформують користувача про фактори небезпеки, пов'язані із застосуванням інструмента. Використовуються такі сигнальні слова:

НЕБЕЗПЕКА

НЕБЕЗПЕКА !

- ▶ Указує на безпосередню небезпеку, що може призвести до отримання тяжких тілесних ушкоджень або навіть до смерті.

ПОПЕРЕДЖЕННЯ

ПОПЕРЕДЖЕННЯ !

- ▶ Указує на потенційно небезпечну ситуацію, яка може призвести до отримання тяжких тілесних ушкоджень або навіть смерті.





ОБЕРЕЖНО

ОБЕРЕЖНО !

- ▶ Указує на потенційно небезпечну ситуацію, яка може призвести до отримання легких тілесних ушкоджень та до матеріальних збитків.

1.2.2 Символи у документі

У цьому документі використовуються такі символи:

	Перед використанням прочитайте інструкцію з експлуатації
	Вказівки щодо експлуатації та інша корисна інформація
	Поводження з матеріалами, придатними для вторинної переробки
	Не викидайте електроінструменти і акумуляторні батареї у баки для побутового сміття



1.2.3 Символи на ілюстраціях

На ілюстраціях використовуються такі символи:

	Цифрами позначаються відповідні ілюстрації, наведені на початку цієї інструкції
3	Нумерація відображає послідовність робочих кроків на ілюстраціях та може відрізнятися від нумерації у тексті
	Номера позицій, наведені на оглядовій ілюстрації , відповідають номерам у легенді, що представлена у розділі «Огляд продукту»
	Цей символ позначає аспекти, на які слід звернути особливу увагу під час застосування інструмента.

1.3 Символи, що обумовлені типом інструмента

1.3.1 Символи на інструменті

На інструменті наведені такі символи:

n_0	Кількість робочих ходів у холостому режимі
	Бездротова передача даних

1.4 Інформація про інструмент

Інструменти призначені для професійного використання, а тому їхню експлуатацію, технічне обслуговування та ремонт слід доручати лише авторизованому персоналу зі спеціальною підготовкою. Цей персонал повинен бути спеціально проінструктований про можливі ризики. Описаний у цьому документі інструмент та допоміжне приладдя можуть стати джерелом небезпеки у разі їхнього неправильного застосування некваліфікованим персоналом або у разі використання не за призначенням. Тип та серійний номер зазначені на заводській табличці.

- ▶ Перепишіть серійний номер у наведену нижче таблицю. Якщо у Вас виникли питання відносно інструмента, завжди посилайтеся на ці дані, звертаючись до нашого представництва та до сервісної служби.
- ▶ Перепишіть серійний номер у наведену нижче таблицю. Якщо у Вас виникли питання відносно інструмента, завжди посилайтеся на ці дані, звертаючись до нашого представництва та до сервісної служби.

Інформація про інструмент

Лобзик із маятниковим ходом	SJD 6
Версія	01
Серійний номер	

1.5 Сертифікат відповідності

Зі всією належною відповідальністю заявляємо, що описаний у цьому документі інструмент відповідає діючим директивам і стандартам. Копія сертифіката відповідності наведена у кінці цього документа.

Технічна документація зазначена нижче:

Hilti Entwicklungsgesellschaft mbH | Zulassung Geräte | Hiltistraße 6 | 86916 Kaufering, DE

2 Безпека

2.1 Загальні вказівки з техніки безпеки при роботі з електроінструментами

⚠ ПОПЕРЕДЖЕННЯ! Уважно прочитайте усі вказівки та інструкції з техніки безпеки, ознайомтеся з малюнками та технічними даними цього електроінструмента. Щонайменше недотримання наведених нижче вказівок може призвести до ураження електричним струмом, займання та/або отримання тяжких травм.

Збережіть всі інструкції та вказівки з техніки безпеки – вони можуть знадобитися Вам у майбутньому.



Термін «електроінструмент», який використовується у вказівках з техніки безпеки, позначає як електроінструменти, що працюють від електричної мережі (із кабелем живлення), так і електроінструменти, що працюють від акумуляторної батареї (без кабелю живлення).

Безпека на робочому місці

- ▶ **Дбайте про чистоту та достатнє освітлення робочого місця.** Безлад на робочому місці та недостатнє освітлення можуть стати причиною нещасних випадків.
- ▶ **Не працюйте з електроінструментом у вибухонебезпечному середовищі, що містить легкозаймисті рідини, гази або пил.** Під час роботи електроінструментів утворюються іскри, від яких можуть зайнятися легкозаймисті випари або пил.
- ▶ **Подбайте про те, щоб під час використання електроінструмента поблизу не було дітей та сторонніх осіб.** Щонайменше відволікання може призвести до втрати контролю над інструментом.

Електрична безпека

- ▶ **Штепсельна вилка електроінструмента повинна підходити до розетки живлення. Забороняється вносити зміни до конструкції штепсельної вилки. Не дозволяється застосовувати перехідні штепсельні вилки в електроінструментах із захисним заземленням.** У разі використання оригінальних штепсельних вилок і відповідних розеток знижується ризик ураження електричним струмом.
- ▶ **Під час роботи намагайтеся не торкатися заземлених поверхонь, наприклад труб, радіаторів опалення, печей та холодильників.** Якщо Ваше тіло перебуває в контакті із системою заземлення, існує підвищений ризик ураження електричним струмом.
- ▶ **Захищайте електроінструменти від дощу та вологи.** У разі проникнення води в електроінструмент підвищується ризик ураження електричним струмом.
- ▶ **Використовуйте з'єднувальний кабель тільки за призначенням, не переносьте за нього електроінструмент, не користуйтеся ним для підвішування інструмента та не тримайтеся за нього, дістаючи штепсельну вилку з розетки.** Оберігайте з'єднувальний кабель від впливу високих температур, від дії мастил та контакту з гострими кромками або рухомими частинами інструмента. Пошкоджені або заплутані з'єднувальні кабелі підвищують ризик ураження електричним струмом.
- ▶ **Працюючи з електроінструментом під відкритим небом, використовуйте лише подовжувальний кабель, придатний для зовнішнього застосування.** Використання подовжувального кабелю, призначеного для зовнішнього застосування, зменшує ризик ураження електричним струмом.
- ▶ **Якщо неможливо уникнути експлуатації електроінструмента за умов підвищеної вологості, використовуйте автомат захисту від струму витoku.** Використання автомата захисту від струму витoku зменшує ризик ураження електричним струмом.

Безпека персоналу

- ▶ **Будьте уважними, зосередьтеся на виконуваній операції, до роботи з електроінструментом ставтеся серйозно. Не користуйтеся електроінструментом, якщо Ви втомлені або перебуваєте під дією наркотичних речовин, алкоголю або лікарських засобів.** Під час роботи з електроінструментом не відволікайтеся ні на мить, оскільки це може призвести до отримання серйозних травм.
- ▶ **Використовуйте засоби індивідуального захисту і завжди надягайте захисні окуляри.** Використання засобів індивідуального захисту, наприклад респіратора, захисного взуття на нековзній підшві, захисного шолома або шумозахисних навушників – залежно від різновиду електроінструмента та особливостей його застосування – зменшує ризик травмування.
- ▶ **Уникайте випадкового вмикання електроінструмента. Переконайтеся в тому, що електроінструмент вимкнений, перш ніж вставляти штепсельну вилку в розетку живлення та/або приєднувати акумулятор, піднімати електроінструмент або переносити його.** Якщо під час перенесення електроінструмента тримати палець на вимикачі або приєднувати інструмент до джерела живлення увімкненням, це може призвести до нещасного випадку.
- ▶ **Перш ніж вмикати електроінструмент, від'єднайте від нього все налагоджувальне приладдя або гайкові ключі.** Приладдя або ключ, що знаходяться в обертовому вузлі інструмента, можуть стати причиною отримання травм.
- ▶ **Уникайте виконання роботи в незручній позі. Під час виконання робіт ставайте в стійку позу і намагайтеся повсякчас утримувати рівновагу.** Це дозволить Вам більш упевнено контролювати електроінструмент у разі виникнення несподіваних обставин.
- ▶ **Надягайте відповідний робочий одяг. Не надягайте для роботи занадто просторий одяг та прикраси. Слідкуйте за тим, щоб волосся, одяг та робочі рукавиці знаходилися подалі від обертових частин інструмента.** Просторий одяг, прикраси або довге волосся можуть бути захоплені рухомими частинами інструмента.



- ▶ Якщо передбачена можливість установалення системи пиловидалення та пилозбірників, обов'язково переконайтеся в тому, що вони правильно приєднані й використовуються належним чином. Застосування системи видалення пилу дозволяє зменшити негативний вплив пилу на персонал.
- ▶ Не можна нехтувати правилами безпеки під час роботи з електроінструментами навіть у тому випадку, коли Ви добре знайомі з тим чи іншим електроінструментом. Якщо користуватися інструментом необережно, лише малої частки секунди може бути достатньо для отримання тяжких травм.

Використання електроінструмента та належний догляд за ним

- ▶ Не допускайте перенавантаження інструмента. Завжди використовуйте електроінструмент, призначений для виконання відповідної роботи. При використанні належного електроінструмента забезпечуються більш висока якість та безпека виконання робіт у вказаному діапазоні продуктивності.
- ▶ Не використовуйте електроінструмент із пошкодженим вимикачем. Електроінструмент, який неможливо вмикати або вимикати, є небезпечним і підлягає ремонту.
- ▶ Перш ніж розпочинати налаштування інструмента, виконувати заміну приладдя або робити перерву в роботі, не забудьте вийняти штепсельну вилку з розетки та/або вийняти з інструмента змінну акумуляторну батарею. Такий запобіжний захід допоможе уникнути випадкового вмикання електроінструмента.
- ▶ Електроінструменти, що не використовуються, зберігайте в недоступному для дітей місці. Не дозволяйте користуватися інструментом особам, які не ознайомлені з ним або не прочитали ці вказівки. У руках недосвідчених людей електроінструменти являють собою серйозну небезпеку.
- ▶ Електроінструменти та їх приладдя потребують дбайливого догляду. Ретельно перевіряйте, чи бездоганно працюють та чи не заклинюють рухомі частини, чи не зламалися або не зазнали інших пошкоджень деталі, від яких залежить справна робота електроінструмента. Перед початком роботи з інструментом пошкоджені деталі слід відремонтувати. Багатьох нещасних випадків можна уникнути за умови належного технічного обслуговування електроінструментів.
- ▶ Слідкуйте за тим, щоб ріжучі інструменти завжди залишалися чистими та належним чином заточеними. Дбайливо доглянутий ріжучий інструмент із гострими різальними кромками не так часто заклинюється, і з ним легше працювати.
- ▶ Під час експлуатації електроінструмента, приладдя до нього, робочих інструментів тощо дотримуйтеся наведених у цьому документі вказівок. При цьому завжди враховуйте умови в місці виконання робіт та дії, яких вимагає поставлене завдання. Використання електроінструментів не за призначенням може призвести до виникнення небезпечних ситуацій.
- ▶ Слідкуйте за тим, щоб поверхні рукояток були чистими та сухими, та не допускайте їхнього забруднення мастилом. Якщо поверхні рукояток слизькі, це унеможливило впевнене контролювання електроінструмента у непередбачених ситуаціях.

Сервісне обслуговування

- ▶ Доручайте ремонт електроінструмента лише кваліфікованому персоналу зі спеціального підготовкою за умови використання тільки оригінальних запасних частин. Це забезпечить функціональність електроінструмента.

2.2 Указівки з техніки безпеки під час використання пилок із маятниковим ходом пиляль-ного полотна

- ▶ Тримайте електроінструмент за ізольовані поверхні рукояток, оскільки під час використання робочий інструмент може натрапити на приховані електричні кабелі або власний з'єднувальний кабель. У разі контакту з електричним дротом, який знаходиться під напругою, металеві деталі інструмента також потраплять під напругу, а це може призвести до ураження електричним струмом.
- ▶ Закріпіть оброблюваний об'єкт на стійкій поверхні за допомогою лещат або іншим надійним способом. Якщо утримувати оброблюваний об'єкт рукою або притискати його до тіла, це не гарантує надійного закріплення та може призвести до втрати контролю.

2.3 Додаткові вказівки з техніки безпеки

Безпека персоналу

- ▶ Користуйтеся лише повністю справним інструментом.
- ▶ Вносити будь-які зміни до конструкції інструмента заборонено.
- ▶ Завжди міцно тримайте інструмент обома руками за передбачені для цього рукоятки. Слідкуйте за тим, щоб рукоятки були сухими та чистими.



- ▶ Під час роботи з інструментом використовуйте відповідні захисні окуляри, захисні навушники та захисні рукавиці.
- ▶ Під час заміни робочого інструмента використовуйте захисні рукавиці. Контакт зі змінним робочим інструментом може призвести до отримання порізів або опіків.
- ▶ Використовуйте захисні окуляри. Уламки матеріалу можуть завдати поранень або пошкодити очі.
- ▶ Перш ніж розпочинати використання інструмента, з'ясуйте клас безпеки пилу, що утворюватиметься під час роботи. Використовуйте будівельний пилосос затвердженого класу захисту, що відповідає місцевим вимогам щодо захисту від пилу.
- ▶ Подбайте про належну вентиляцію робочого місця та користуйтеся респіратором, який підходить до матеріалу, що обробляється. У разі контакту з таким пилом або при його вдиханні у користувача електроінструмента та у людей, що знаходяться поруч, можуть виникнути алергічні реакції та/або захворювання дихальних шляхів. Деякі різновиди пилу, наприклад деревини дуба і бука, вважаються канцерогенними, особливо у поєднанні з речовинами для обробки деревини (хроматом, засобами для захисту деревини). До обробки матеріалів, що містять азбест, допускаються лише фахівці зі спеціальною підготовкою.
- ▶ Працюйте з перервами та виконуйте вправи на розминання пальців, щоб покращити кровообіг у них. Під час довготривалих робіт вібрація може пошкодити судини або нерви у пальцях, руках або зап'ясткових суглобах.

Електрична безпека

- ▶ Перед початком роботи перевіряйте робоче місце на наявність прихованих електричних кабелів, газових та водопровідних труб. Якщо Ви під час роботи випадково пошкодите електричні кабелі, контакт з відкритими металевими деталями інструмента може спричинити ураження електричним струмом.

Належне використання електроінструментів та дбайливий догляд за ними

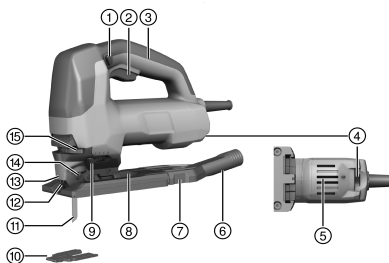
- ▶ Надійно зафіксуйте оброблюваний об'єкт. Використання затискного пристрою або лецат забезпечить кращу фіксацію оброблюваного об'єкта у порівнянні з утримуванням його рукою.

Спеціальні вказівки з техніки безпеки щодо використання лобзика

- ▶ Під час пиляння завжди спрямовуйте інструмент від себе.
- ▶ Ніколи не тримайте руки перед пиляльним полотном та не торкайтеся його.
- ▶ Ніколи не здійснюйте пиляння незнайомих матеріалів; крім того, на траєкторії пиляння під інструментом та над ним не повинно бути жодних перешкод.
- ▶ Під час пиляння не торкайтеся нижньої поверхні оброблюваного об'єкта.

3 Опис

3.1 Огляд продукту



- ① Кнопка фіксації
- ② Вимикач
- ③ Рукоятка
- ④ Регульовальне колесо для встановлення кількості робочих ходів
- ⑤ Вентиляційні прорізи
- ⑥ Усмоктувальний адаптер
- ⑦ Стопорний гачок
- ⑧ Опорна плита
- ⑨ Важіль для регулювання маятникового ходу
- ⑩ Противідкольна накладка
- ⑪ Пиляльне полотно
- ⑫ Захист від випадкового контакту з робочим інструментом
- ⑬ Захисна кришка
- ⑭ Затискний патрон
- ⑮ Важіль для деблокування пиляльного полотна



3.2 Використання за призначенням

Описаний у цьому документі інструмент являє собою ручний електричний лобзик із маятниковим ходом. Він призначений для пиляння матеріалів на основі пластмаси, деревини та металу, а також для пиляння гіпсових та волокнистих плит.

Інструмент оснащений знімним з'єднувальним штуцером для підключення пилососа, з яким використовуються стандартні усмоктувальні шланги. Для приєднання усмоктувального шланга до інструмента Вам може знадобитися відповідний адаптер.

Експлуатація інструмента можлива лише за умови, що напруга і частота мережі живлення відповідають значенням, вказаним на заводській таблиці.

- ▶ Використовуйте із цим інструментом тільки пиляльні полотна з Т-подібним хвостовиком (конструкція якого передбачає один упор).

3.3 Можливі варіанти неналежного використання

- Забороняється застосовувати інструмент для спилювання гілок та стовбурів дерев.
- Забороняється застосовувати інструмент для обробки матеріалів, що становлять небезпеку для здоров'я людини.
- Забороняється застосовувати інструмент у вологому середовищі.

3.4 Пристрій для здування стружки

Пристрій для здування стружки направляє на пиляльне полотно потік повітря, щоб стружка не закривала від оператора лінію розрізу.

3.5 Кількість робочих ходів

Кількість робочих ходів встановлюється за допомогою регулювального колеса. Коли колесо встановлене у положення 1, інструмент виконує 800 робочих ходів на хвилину; коли колесо встановлене у положення 6, інструмент виконує 3000 робочих ходів на хвилину.

Залежно від того, наскільки сильно Ви натискаєте на вимикач, інструмент на початку роботи виконує 75 робочих ходів на хвилину, поступово прискорюючи темп до того значення, яке встановлене за допомогою регулювального колеса.

3.6 4-ступеневе регулювання маятникового ходу

Завдяки 4-ступеневому регулюванню маятникового ходу можна встановити потужність та якість пиляння відповідно до оброблюваного матеріалу. Перемикання між 4 ступенями маятникового ходу здійснюється за допомогою важеля.

Чим чистішою та гладкішою повинна бути кромка різку, тим менший ступінь маятникового ходу слід обирати. Оптимальне налаштування можна визначити на практиці.

Стан	Значення
Ступінь 0	Без маятникового ходу
Ступінь 1	Малий маятниковий хід
Ступінь 2	Середній маятниковий хід
Ступінь 3	Великий маятниковий хід

3.7 Кнопка фіксації

Кнопка фіксації може бути встановлена у три положення.

1. Середнє положення є стандартним положенням: кнопка фіксації виступає зліва та справа. Коли кнопка фіксації знаходиться у цьому положенні, Ви можете, зокрема, регулювати кількість робочих ходів.
Вимикач можна натискати та відпускати.
2. Кнопка фіксації виступає тільки зліва: транспортне положення (увімкнення інструмента неможливе). Вимикач заблокований та не може бути натиснутий.
3. Кнопка фіксації виступає тільки справа: якщо перевести кнопку фіксації праворуч після увімкнення інструмента (вимикач повністю натиснутий), це дозволить зафіксувати інструмент у ввімкненому стані. Щоб зняти фіксацію, слід ще раз натиснути на вимикач.



3.8 Протівідкольна накладка

Інструмент може бути оснащений протівідкольною накладкою.

Під час пиляння деревини протівідкольна накладка допомагає попередити відколювання часток із верхнього шару оброблюваного об'єкта.

3.9 Комплект постачання

Лобзик із маятниковим ходом, пиляльне полотно, захисна кришка, усмоктувальний адаптер, протівідкольна накладка, інструкція з експлуатації, торцевий шестигранний ключ.

З іншим приладдям, допущеним до експлуатації з Вашим інструментом, Ви можете ознайомитися у найближчому сервісному центрі **Hilti** або на веб-сайті www.hilti.com

4 Технічні дані

4.1 Лобзик із маятниковим ходом



Якщо живлення інструмента здійснюється від генератора або трансформатора, то його вихідна потужність має принаймні вдвічі перевищувати номінальну споживану потужність, вказану на заводській таблиці інструмента. Робоча напруга трансформатора або генератора повинна постійно перебувати у межах від +5 % до -15 % від номінальної напруги інструмента.

Наведені параметри виміряні за номінальної напруги у 230 В. Вони можуть відрізнятися у разі коливання напруги, а також у моделях інструмента, виконаних відповідно до певних національних норм. Номінальна напруга, частота та номінальна споживана потужність або номінальний струм вказані на заводській таблиці інструмента.

	SJD 6
Номінальна споживана потужність	850 Вт
Маса згідно з процедурою ЕРТА 01	2,4 кг
Кількість робочих ходів у холостому режимі	80 об/хв ... 3 000 об/хв
Висота робочого ходу	28 мм
Максимальна потужність пиляння деревини	150 мм
Максимальна потужність пиляння алюмінію	25 мм
Максимальна потужність пиляння нелегованої сталі	10 мм
Кут різання (ліворуч/праворуч)	0°, 15°, 30°, 45°
Зовнішній діаметр усмоктувального адаптера	27,5 мм

4.2 Дані про шум та значення вібрації, виміряні згідно зі стандартом EN 62841

Наведені у цих рекомендаціях значення звукового тиску та вібрації були виміряні згідно з установленою процедурою вимірювання та можуть використовуватися для порівняння електроінструментів. Вони також придатні для попереднього оцінювання шумового та вібраційного навантаження.

Наведені дані обумовлюють переважні сфери застосування електроінструмента. Однак якщо Ви використовуєте його не за призначенням, застосовуєте нестандартне приладдя або неналежним чином здійснюєте догляд за інструментом, ці дані можуть відрізнятися від вказаних значень. Це може призвести до помітного збільшення шумового та вібраційного навантаження протягом усього робочого часу.

Для більш точної оцінки шумового та вібраційного навантаження необхідно враховувати також проміжки часу, протягом яких інструмент залишається вимкненим або працює на холостому ході. Це може значно зменшити вібраційне та шумове навантаження протягом усього робочого часу.

Необхідно також вживати додаткових заходів безпеки з метою захисту працівників від дії шуму та/або вібрації, зокрема: проводити своєчасне технічне обслуговування електроінструмента та змінних робочих інструментів до нього, утримувати руки у теплі, належним чином організовувати робочий процес.



Рівень шуму

	SJD 6
Рівень шумової потужності (L_{WA})	100,5 дБ(A)
Похибка для рівня шумової потужності (K_{WA})	5 дБ(A)
Рівень звукового тиску (L_{pA})	89,5 дБ(A)
Похибка для рівня звукового тиску (K_{pA})	5 дБ(A)

Сумарне значення вібрації

	SJD 6
Рівень вібрації, що створюється під час пиляння дерев'яних дощок ($a_{h,B}$)	9,7 м/с ²
Рівень вібрації, що створюється під час пиляння листового металу ($a_{h,M}$)	8,0 м/с ²
Похибка (K)	1,5 м/с ²

5 Використання подовжувального кабелю

ПОПЕРЕДЖЕННЯ

Небезпека через пошкодження кабелю! Якщо під час роботи було пошкоджено кабель живлення або подовжувальний кабель, торкатися до них заборонено. Вийміть штепсельну вилку кабелю живлення з розетки.

- ▶ Регулярно перевіряйте з'єднувальний кабель інструмента. Якщо Ви виявили його пошкодження зверніться до фахівця-електрика, щоб замінити кабель.
- Використовуйте тільки дозволені для цієї області застосування подовжувальні кабелі з достатнім поперечним перерізом дроту. Інакше може спостерігатися зниження потужності інструмента і перегрівання кабелю.
- Регулярно перевіряйте подовжувальний кабель на наявність пошкоджень.
- Пошкоджені подовжувальні кабелі підлягають заміні.
- Для зовнішніх робіт використовуйте лише дозволені для експлуатації подовжувальні кабелі, що мають відповідне маркування.

Рекомендований мінімальний поперечний переріз та максимальна довжина кабелю наведені наприкінці цього документа у вигляді QR-коду.

6 Підготовка до роботи

ОБЕРЕЖНО

Ризик отримання травми! Випадкове увімкнення інструмента.

- ▶ Виймайте штепсельну вилку кабелю живлення з розетки, перш ніж задавати налаштування інструмента або замінювати приладдя.

Дотримуйтеся попереджувальних вказівок та вказівок з техніки безпеки, наведених у цьому документі та на корпусі інструмента.

6.1 Установлення пиляльного полотна

1. Вийміть штепсельну вилку кабелю живлення з розетки.
2. Уставте пиляльне полотно у затискний патрон (зубцями у напрямку зрізу) та натисніть на нього, поки воно не зафіксується.
3. Потягніть за пиляльне полотно, щоб переконатися у його надійній фіксації.

6.2 Установлення захисної кришки

- ▶ Уставте захисну кришку спереду в інструмент до упору.

6.3 Установлення усмоктувального адаптера

1. Утримуючи усмоктувальний адаптер горизонтально, установіть його ззаду на опорну плиту таким чином, щоб два стопорних гачка увійшли у зачеплення з обох боків.



2. Приєднайте шланг пирососа до усмоктувального адаптера.

6.4 Регулювання маятникового ходу

1. Потрібне налаштування маятникового ходу зазначене у характеристиках використовуваного пиляльного полотна.
2. За допомогою важеля для регулювання маятникового ходу виберіть один із чотирьох ступенів → стор. 50.

6.5 Регулювання кількості робочих ходів

Потрібне налаштування зазначене у характеристиках використовуваного пиляльного полотна.

- Щоб задати кількість робочих ходів, яку лобзик повинен виконувати щохвилини, установіть регулювальне колесо у відповідне положення – від 1 (мала) до 6 (велика).

6.6 Установлення кута різання

1. Зніміть усмоктувальний адаптер. → стор. 54
2. Поверніть затискний важіль назад на 90°.
3. Установіть потрібний кут різання (0°, 15°, 30° або 45°).
4. Поверніть затискний важіль уперед на 90°.
 - Опорна плита зафіксована.
5. Установіть усмоктувальний адаптер. → стор. 52

6.7 Установлення протівідкільної накладки

Протівідкільна накладка може застосовуватися лише з тими пиляльними полотнами, конструкція яких передбачає її використання.

1. Вийміть штепсельну вилку кабелю живлення з розетки.
2. Уставте протівідкільну накладку знизу в опорну плиту.

7 Під час роботи

ПОПЕРЕДЖЕННЯ

Небезпека через пошкодження кабелю! Якщо під час роботи було пошкоджено кабель живлення або подовжувальний кабель, негайно від'єднайте інструмент та кабелі від мережі живлення. Не торкайтеся пошкодженого місця!

- Регулярно перевіряйте усі з'єднувальні кабелі. Замінійте пошкоджені подовжувальні кабелі. Ремонт пошкоджених кабелів живлення доручайте кваліфікованому спеціалісту.

Зазвичай рекомендується використовувати автомат захисту від струму витoku (RCD) з максимальним струмом розмикання у 30 мА.

7.1 Система видалення пилу

Система видалення пилу дозволяє зменшити пилове навантаження та підвищити експлуатаційну безпеку інструмента, оскільки завдяки їй використанню стружка та пил не закривають від оператора лінію розрізу та менше забруднюють робоче місце.

1. Установіть захисну кришку. → стор. 52
2. Приєднайте до інструмента усмоктувальний адаптер та витяжний пристрій, якщо Ви плануєте протягом тривалого часу пиляти деревину або інші матеріали, обробка яких призводить до утворення значної кількості пилу.



7.2 Увімкнення 10

1. Натисніть на вимикач.
2. Після цього, щоб зафіксувати вимикач, натисніть кнопку фіксації.
3. Щоб зняти фіксацію вимикача, ще раз натисніть на нього.

7.3 Пряме врізання в матеріал

1. Установіть важіль для регулювання маятникового ходу в положення 0.
2. Установіть інструмент на оброблюваний об'єкт переднім краєм опорної плити.
3. Надійно утримуючи інструмент, натисніть на вимикач.
4. Міцно притисніть інструмент до оброблюваного об'єкта та, зменшуючи кут нахилу, починайте заглиблення у матеріал.
5. Коли Ви пропиляли оброблюваний об'єкт наскрізь, установіть інструмент у нормальне робоче положення.
 - ▶ Опорна плита повинна рівномірно прилягати до поверхні оброблюваного об'єкта.
6. Продовжуйте пиляння вздовж лінії розмітки.

7.4 Вимкнення

- ▶ Відпустіть вимикач.

8 Демонтаж**⚠ ОБЕРЕЖНО**

Ризик отримання травм! Випадкове увімкнення інструмента.

- ▶ Виймайте штепсельну вилку кабелю живлення з розетки, перш ніж задавати налаштування інструмента або замінювати приладдя.

Дотримуйтеся попереджувальних вказівок та вказівок з техніки безпеки, наведених у цьому документі та на корпусі інструмента.

8.1 Зняття усмоктувального адаптера 11

1. Натисніть на обидва стопорних гачка.
2. Потягніть усмоктувальний адаптер назад та від'єднайте його від опорної плити.
3. Потягніть за шланг пирососа та від'єднайте його від усмоктувального адаптера.

8.2 Зняття захисної кришки 12

- ▶ Злегка нахиліть захисну кришку та зніміть її, потягнувши вперед.

8.3 Виштовхування пиляльного полотна 13**⚠ ПОПЕРЕДЖЕННЯ**

Ризик отримання травм. Неконтрольоване виштовхування пиляльного полотна з інструмента може призвести до травмування.

- ▶ Коли Ви плануєте дістати пиляльне полотно, утримуйте інструмент таким чином, щоб під час виштовхування воно не травмувало людей або тварин.

1. Вийміть штепсельну вилку кабелю живлення з розетки.
2. Натисніть на важіль для деблокування пиляльного полотна та відведіть його вбік до упору.
 - ▶ Пиляльне полотно буде деблоковано та виштовхнуто з інструмента.



9 Догляд і технічне обслуговування

ПОПЕРЕДЖЕННЯ

Небезпека ураження електричним струмом! Здійснення догляду та технічного обслуговування інструмента, що підключений до мережі живлення, може призвести до тяжких травм та опіків.

- ▶ Завжди діставайте штекер кабелю живлення з розетки, перш ніж розпочинати роботи з догляду та технічного обслуговування!

Догляд

- Обережно видаляйте накопичення бруду.
- Обережно прочищайте вентиляційні прорізи сухою щіткою.
- Протирайте корпус вологою тканиною. Забороняється використовувати миючі засоби, що містять силікон, оскільки вони можуть пошкодити пластмасові деталі.

Технічне обслуговування

ПОПЕРЕДЖЕННЯ

Небезпека ураження електричним струмом! Проведення неавторизованого ремонту електричних частин інструмента може призвести до отримання тяжких травм та опіків.

- ▶ До ремонту електричної частини інструмента залучайте лише фахівця-електрика.
- Регулярно перевіряйте усі зовнішні частини на наявність пошкоджень, а органи керування інструмента – на предмет справної роботи.
- Якщо Ви виявили пошкодження та/або порушення функціональності інструмента, припиніть його використання. негайно зверніться до сервісної служби компанії **Hilti** для здійснення ремонту.
- Після проведення догляду і технічного обслуговування встановіть усі захисні пристрої та перевірте їхню роботу.



Щоб гарантувати належну роботу інструмента, використовуйте тільки оригінальні запасні частини та видаткові матеріали. Рекомендовані запасні частини, видаткові матеріали та приладдя для Вашого інструмента Ви можете придбати у найближчому магазині **Hilti Store** або на веб-сайті www.hilti.group.

9.1 Чищення усмоктувального адаптера

1. Вийміть штепсельну вилку кабелю живлення з розетки.
2. Від'єднайте шланг пілососа від усмоктувального адаптера.
3. Зніміть усмоктувальний адаптер. → стор. 54
4. Прочистьте усмоктувальний адаптер.
5. Переконайтеся, що стопорні гачки не пошкоджені.
6. Установіть усмоктувальний адаптер. → стор. 52

9.2 Чищення пиляльних полотен

1. Слід регулярно видаляти з пиляльних полотен залишки смоли.
2. Покладіть пиляльні полотна на 24 години у бензин або у засіб для видалення смоли (продається окремо).

10 Транспортування та зберігання

Транспортування

- ▶ Забороняється транспортувати інструмент із установленим змінним робочим інструментом.
- ▶ Надійно закріпліть інструмент під час транспортування.
- ▶ Після транспортування інструмента завжди перевіряйте усі його зовнішні частини на наявність пошкоджень, а органи керування – на предмет справної роботи.

Зберігання

- ▶ На час зберігання інструмента завжди виймайте його штепсельну вилку з розетки.
- ▶ Зберігайте інструмент у сухому місці, недоступному для дітей та сторонніх осіб.
- ▶ Якщо інструмент знаходився на зберіганні протягом тривалого часу, завжди перевіряйте усі його зовнішні частини на наявність пошкоджень, а органи керування – на предмет справної роботи.



11 Допомога у разі виникнення несправностей

У разі виникнення несправностей, які не зазначені у цій таблиці або які Ви не можете полагодити самостійно, зверніться до сервісної служби компанії **Hilti**.

Несправність	Можлива причина	Рішення
Пилляльне полотно випадає з інструмента.	Пилляльне полотно закріплене неналежним чином.	<ul style="list-style-type: none"> ▶ Повторіть операцію його закріплення. ▶ Переконайтеся, що затискний патрон повністю відкритий; крім того, пилляльне полотно повинне вставлятися з відчутним опором.
	Система затискних пристроїв засмічена.	<ul style="list-style-type: none"> ▶ Прочистьте затискний патрон.
Пилляльне полотно не вдається вставити в інструмент.	Система затискних пристроїв засмічена.	<ul style="list-style-type: none"> ▶ Прочистьте затискний патрон.
Не вдається відрегулювати маятниковий хід.	Паз важеля для регулювання маятникового ходу засмічений.	<ul style="list-style-type: none"> ▶ Прочистьте паз важеля для регулювання маятникового ходу.
Маятниковий хід не функціонує.	Механізм маятникового ходу засмічений.	<ul style="list-style-type: none"> ▶ Перевірте, чи накопився бруд в області маяткової вилки та за необхідності видаліть його.
	Важіль для регулювання маятникового ходу встановлений у положення 0.	<ul style="list-style-type: none"> ▶ Установіть його у потрібне положення.
Електроінструмент сильно нагрівається.	Електрична несправність.	<ul style="list-style-type: none"> ▶ негайно вимкніть інструмент і від'єднайте кабель живлення від мережі. ▶ Зачекайте, доки інструмент не охолоне, та зверніться до сервісної служби компанії Hilti.

12 Утилізація

Більшість матеріалів, з яких виготовлено інструменти компанії **Hilti**, придатні для вторинної переробки. Передумовою для їхньої вторинної переробки є належне сортування відходів за типом матеріалу. У багатьох країнах світу компанія **Hilti** приймає старі інструменти для їхньої утилізації. Щоб отримати додаткову інформацію з цього питання, звертайтеся до сервісної служби компанії **Hilti** або до свого торгового консультанта.



- ▶ Не викидайте електроінструменти, електронні пристрої та акумуляторні батареї у баки для побутового сміття!

13 RoHS (директива КНР про обмеження використання небезпечних речовин)

Щоб переглянути таблицю з інформацією про небезпечні речовини, будь ласка, перейдіть за такими посиланнями: qr.hilti.com/r5212956

Посилання на таблицю з інформацією про речовини, включені до директиви RoHS, наведено наприкінці цього документа у вигляді QR-коду.

14 Гарантійні зобов'язання виробника

- ▶ Із питань гарантії, будь ласка, звертайтеся до Вашого місцевого партнера компанії **Hilti**.



Түпнұсқа пайдалану бойынша нұсқаулық

1 Құжаттама бойынша деректер

1.1 Бұл құжаттама туралы



Импорттауыш және өндірушінің өкілетті ұйымы

- (RU) Ресей Федерациясы
"Хилти Дистрибьюшн ЛТД" АҚ, 141402, Мәскеу облысы, Химки қ., Ленинградская көш., ғим. 25
- (BY) Беларусь Республикасы
222750, Минск облысы, Дзержинский ауданы, Р-1, 18-ші км, 2 (Слободка ауылының жанында), 1-34 бөлімі
- (KZ) Қазақстан Республикасы
Қазақстан Республикасы, индекс 050011, Алматы қ., Пугачев көш., 4-үй
- (KG) Қырғыз Республикасы
"Т AND Т" ЖШҚ, 720021, Қырғызстан, Бішкек қ., Ибраимов көш., 29 А үйі
- (AM) Армения Республикасы
Эйч-Кон ЖШҚ, Армения Республикасы, Ереван қ., Бабаян көш., 10/1 үйі

Өндірілген елі: жабдықтағы белгілеу тақтайшасын қараңыз.

Өндірілген күні: жабдықтағы белгілеу тақтайшасын қараңыз.

Тиісті сертификатты мына мекенжай бойынша табуға болады: www.hilti.ru

Сақтау, тасымалдау және пайдалану шарттарына пайдалану бойынша нұсқаулықта белгіленгеннен басқа арнайы талаптар қойылмайды.

Өнімнің қызмет ету мерзімі 5 жыл.

- Іске қосу алдында осы құжаттаманы оқып шығыңыз. Бұл қауіпсіз жұмыс пен ақаусыз басқару үшін алғышарт болып табылады.
- Осы құжаттамадағы және өнімдегі қауіпсіздік және ескерту нұсқауларын орындаңыз.
- Пайдалану бойынша нұсқаулықты әрдайым өнімде сақтаңыз және оны басқа тұлғаларға тек осы нұсқаулықпен бірге талсырыңыз.

1.2 Шартты белгілердің анықтамасы

1.2.1 Ескерту

Ескертулер өнімді қолдану барысындағы қауіптер туралы ескертеді. Төмендегі сигналдық сөздер пайдаланылады:



ҚАУІПТІ !

- ▶ Ауыр жарақаттарға әкелетін немесе өмірге қауіп төндіретін тікелей қауіпті жағдайдың жалпы белгіленуі.



ЕСКЕРТУ !

- ▶ Ауыр жарақаттарға әкелуі немесе өмірге қауіп төндіруі мүмкін ықтимал қауіпті жағдайдың жалпы белгіленуі.



АБАЙЛАҢЫЗ !

- ▶ Жеңіл жарақаттарға немесе аспаптың зақымдалуына әкелуі мүмкін ықтимал қауіпті жағдайдың жалпы белгіленуі.

1.2.2 Құжаттамадағы белгілер

Бұл құжаттамада төмендегі белгілер пайдаланылады:



	Пайдалану алдында пайдалану бойынша нұсқаулықты оқу қажет
	Аспапты пайдалану бойынша нұсқаулар және басқа пайдалы ақпарат
	Қайта пайдалануға болатын материалдармен жұмыс істеу
	Электр аспаптарды және аккумуляторларды тұрмыстық қоқысқа тастамаңыз

1.2.3 Суреттердегі белгілер

Суреттерде төмендегі белгілер қолданылады:

	Бұл сандар осы нұсқаулықтың басындағы әр суретке сәйкес келеді
3	Нөмірлеу суреттегі жұмыс қадамдарының реттілігін білдіреді және мәтіндегі жұмыс қадамдарынан өзгешеленуі мүмкін
	Позиция нөмірлері Шолу суретінде қолданылады және Өнімге шолу мақаласындағы шартты белгілердің нөмірлеріне сілтейді
	Аталмыш белгілер өнімді қолдану барысында айрықша назарыңызды аудартады.

1.3 Өнімге қатысты белгілер

1.3.1 Өнімдегі белгілер

Төмендегі белгілер өнімде қолданылады:

n_0	Бос жүрістегі жиілік
	Құрылғы iOS және Android платформаларымен үйлесімді NFC технологиясын қолдайды.

1.4 Өнім туралы ақпарат

өнімдері кәсіби пайдаланушыларға арналған және оларды тек қана өкілетті, білікті қызметкерлер пайдалануы, күтім және техникалық қызмет көрсетуі тиіс. Қызметкерлер қауіпсіздік техникасы бойынша арнайы нұсқау алуы керек. Сипатталған өнім мен оның қосалқы құралдарын басқа мақсатта қолдану немесе олардың оқытылмаған қызметкерлердің тарапынан пайдаланылуы қауіпті.

Түр сипаттамасы мен сериялық нөмір фирмалық тақтайшада берілген.

- ▶ Сериялық нөмірді төмендегі кестеге көшіріп қойыңыз. Өнім бойынша сұрауларымен бөліміміз не қызмет көрсету орталығымызға хабарласқан кезде осы мәліметтерді әрдайым қамтамасыз етіңіз.
- ▶ Сериялық нөмірді төмендегі кестеге көшіріп қойыңыз. Өнім бойынша сұрауларымен бөліміміз не қызмет көрсету орталығымызға хабарласқан кезде осы мәліметтерді әрдайым қамтамасыз етіңіз.

Өнім туралы мәліметтер

Маятниктік электр жұқа арасы	SJD 6
Буын	01
Сериялық нөмір	

1.5 Сәйкестілік декларациясы

Біз осы нұсқаулықта сипатталған өнімнің қолданыстағы директивалар мен нормативтерге сәйкес келетінін толық жауапкершілікпен жариялаймыз. Сәйкестілік декларациясының суреті осы құжаттаманың соңында орналасқан.

Техникалық құжаттама мына жерде сақталған:

Hilti Entwicklungsgesellschaft mbH | Zulassung Geräte | Hiltistraße 6 | 86916 Kaufering, DE



2 Қауіпсіздік

2.1 Электр құралдары үшін қауіпсіздік техникасы бойынша жалпы нұсқаулар

⚠ ЕСКЕРТУ Бұл электр құралына арналған барлық қауіпсіздік нұсқауларын, нұсқауларды, суреттерді және техникалық деректерді оқып шығыңыз. Төменде берілген нұсқауларды орындамау электр тогының соғуына, өртке өкелуі мүмкін және/немесе ауыр жарақаттарды тудыруы мүмкін.

Қауіпсіздік техникасы бойынша барлық нұсқауларды және нұсқауларды келесі пайдаланушы үшін сақтаңыз.

Қауіпсіздік нұсқауларында қолданылатын «электр құралы» термині электр желісінен (желілік кабельмен) және аккумулятордан (желілік кабельсіз) жұмыс істейтін электр құралын білдіреді.

Жұмыс орны

- ▶ **Жұмыс орнындағы тазалықты және тәртіпті қадағалаңыз.** Жұмыс орнындағы ретсіздік және нашар жарық сәтсіз жағдайларға өкелуі мүмкін.
- ▶ **Жанғыш сұйықтықтар, газдар немесе шаң бар жарылыс қаупі бар аймақта электр құралын қолданбаңыз.** Жұмыс кезінде электр құралдары ұшқындар шығады және ұшқындар шаңды немесе буларды тұтандыруы мүмкін.
- ▶ **Балалардың және бөгде адамдардың жұмыс істеп тұрған электр құралына жақындауына рұқсат етпеңіз.** Жұмысқа көңіл бөлмегенде, электр құралын бақылау жоғалуы мүмкін.

Электр қауіпсіздігі

- ▶ **Электр құралдың байланыс ашасы электр желісінің розеткасына сай болуы керек.** Айырдың конструкциясын өзгертеңіз. Қорғауыш жерге қосуы бар электр құралдарымен бірге өтпелі айырларды қолданбаңыз. Түпнұсқа айырлар және оларға сай розеткалар электр тогының соғу қаупін азайтады.
- ▶ **Жерге қосылған беттерге, мысалы, құбырларға, жылыту құралдарына, пештерге (плиталарға) және тоңазытқыштарға тікелей тиюді болдырмаңыз.** Жерге қосылған заттарға тигенде электр тогының соғуының үлкен қаупі туындайды.
- ▶ **Электр құралдарды жаңбырдан немесе ылғал өсерінен сақтаңыз.** Электр құралға су тиюі нәтижесінде электр тогының соғу қаупі артады.
- ▶ **Байланыс сымын басқа мақсатта қолданбаңыз, мысалы, электр құралды тасымалдау, оны іліп қою немесе электр желісінің розеткасынан айырды шығару үшін.** Байланыс сымын жылу, май, өткір жиектер немесе жылжымалы бөліктерден алшақ ұстаңыз. Байланыс сымының зақымдалуы немесе қабаттасуы нәтижесінде электр тогының соғу қаупі артады.
- ▶ **Егер жұмыстар ашық ауада орындалса, тек бөлмелерден тыс қолдануға рұқсат етілген ұзартқыш сымдарды пайдаланыңыз.** Бөлмелерден тыс қолдануға жарамды ұзартқыш сымды пайдалану электр тогының соғу қаупін азайтады.
- ▶ **Егер электр құралмен ылғалдылық жағдайларында жұмыс істеуді болдырмау мүмкін емес болса, шығып кететін токтан қорғау автоматын қолданыңыз.** Шығып кететін токтан қорғау автоматын қолдану электр тогының соғу қаупін азайтады.

Адамдардың қауіпсіздігі

- ▶ **Ұқыпты болыңыз, әрекеттеріңізге көңіл бөліңіз және электр құралымен жұмыс істеуге дұрыс қараңыз.** Шаршаған кезде немесе есірткі, алкоголь не дәрі қабылдаған соң электр құралын қолданбаңыз. Электр құралын қолданған кездегі зейінсіздік ауыр жарақаттарға апарып соғуы мүмкін.
- ▶ **Жеке қорғану құралдарын пайдаланыңыз және әрқашан міндетті түрде қорғауыш көзілдірікті киіңіз.** Электр құралының түріне және пайдалану жағдайларына байланысты жеке қорғану құралдарын, мысалы, шаңнан қорғайтын респираторды, сырғымайтын аяқ киімді, қорғауыш шлемді, естуді қорғау құралдарын қолдану жарақаттану қаупін азайтады.
- ▶ **Электр құралының кездейсоқ қосылуын болдырмаңыз.** Электр қуатына қосу және/немесе аккумуляторды қою, көтеру немесе тасымалдау алдында электр құралы өшірілгеніне көз жеткізіңіз. Электр құралын тасымалдағанда саусақтар сөндірігіште болатын немесе қосылған электр құралы желіге қосылатын жағдайлар сәтсіз жағдайларға өкелуі мүмкін.
- ▶ **Электр құралын қосу алдында реттеуші құрылғыларды және гайка кілтін алыңыз.** Электр құралының айналатын бөлігіндегі аспап немесе кілт жарақаттарға өкелуі мүмкін.
- ▶ **Жұмыс кезінде ыңғайсыз қалыптарға тұрмауға тырысыңыз.** Үнемі тұрақты күйді және тепеңдікті сақтаңыз. Бұл күтпеген жағдайларда электр құралын жақсырақ басқаруға мүмкіндік береді.
- ▶ **Арнайы киімді киіңіз. Өте бос киімді немесе өшекейлерді кимеңіз.** Шашты, киімді және қолғапты электр құралының айналатын түйіндерінен сақтаңыз. Бос киім, өшекейлер және ұзын шаш оларға ілінуі мүмкін.



- ▶ Егер шаңды жинау және кетіруге арналған құрылғыларды қосу қарастырылған болса, олар қосылғанына және мақсаты бойынша қолданылып жатқанына көз жеткізіңіз. Шаңды кетіру модулін пайдалану шаңның зиянды әсерін азайтады.
- ▶ Өз мойныңызға қате қауіпсіздік сезімін алмаңыз және электр құралына арналған қауіпсіздік ережелерін бұзбаңыз, тіпті электр құралын жиі қолданатын тәжірибелі пайдаланушы болсаңыз. Мұқиятсыз қолдану бірнеше секундта ауыр жарақаттануға апарып соғуы мүмкін.

Электр құралын қолдану және оған қызмет көрсету

- ▶ Аспапқа шамадан тыс жүктеме түсуін болдырмаңыз. Нақ осы жұмысқа арналған электр құралын қолданыңыз. Бұл ережені сақтау көрсетілген қуат диапазонында жоғарырақ жұмыс сапасын және қауіпсіздігін қамтамасыз етеді.
- ▶ Сөндіргіші бұзылған электр құралын қолданбаңыз. Қосу немесе өшіру қиын электр құралы қауіпті және оны жөндеу керек.
- ▶ Электр құралын реттеуге, саймандарды ауыстыруға кірісу алдында немесе жұмыстағы үзіліс алдында розеткадан ашаны және/немесе электр құралынан алмалы-салмалы аккумуляторды шығарыңыз. Бұл сақтық шарасы электр құралының кездейсоқ қосылуын болдырмайды.
- ▶ Қолданылмайтын электр құралдарын балалар жетпейтін жерде сақтаңыз. Аспаптан танымал емес немесе осы нұсқауларды оқып шықпаған адамдарға аспапты пайдалануға рұқсат бермеңіз. Электр құралдары тәжірибесі жоқ пайдаланушылардың қолында қауіпті болады.
- ▶ Электр құралдары мен керек-жарақтарға ұқыпты қараңыз. Айналмалы бөліктердің мүлтіксіз қызмет ететінін, олардың жүрісінің жеңілдігін, барлық бөліктердің тұтастығын және электр құралының жұмысына теріс әсер етуі мүмкін зақымдардың жоқтығын тексеріңіз. Аспаптың зақымдалған бөліктерін оны қолдану алдында жөндеуге өткізіңіз. Электр құралына техникалық қызмет көрсету ережелерін сақтамау көп сәтсіз жағдайлардың себебі болып табылады.
- ▶ Кескіш аспаптардың үшкір және таза болуын қадағалау керек. Жұмыс күйінде сақталатын кескіш аспаптардың сыналануы сиректеу болады, оларды басқару жеңілдеу.
- ▶ Электр құралын, саймандарды, көмекші құрылғыларды және т.б. нұсқауларға сай пайдаланыңыз. Бұл кезде жұмыс жағдайларын және орындалатын жұмыстың сипатын ескеріңіз. Электр құралдарын басқа мақсаттарда қолдану қауіпті жағдайларға әкелуі мүмкін.
- ▶ Тұтқыштар мен тұтқыш беттерін таза, құрғақ, май іздерінсіз ұстаңыз. Сырғанақ тұтқыштар мен олардың беттері белгілі бір жағдайларда электр құралының қауіпсіз қолданылуы мен басқарылуына жол бермейді.

Қызмет көрсету

- ▶ Электр құралын жөндеуді тек түпнұсқа қосалқы бөлшектерді қолданатын білікті қызметкерлерге сеніп тапсырыңыз. Бұл электр құралын қауіпсіз күйде сақтауды қамтамасыз етеді.

2.2 Поршеньді кескіш дискісі бар араларға арналған қауіпсіздік нұсқаулары

- ▶ Электр құралы жасырын қуат сымдарымен немесе өзінің байланыс сымымен жанасуы мүмкін жұмыстарды орындау кезінде электр құралын оқшауланған тұтқа беттерінен ұстап тұрыңыз. Электр сымдарына тигенде аспапты қорғалмаған металл бөліктері кернеу астында болады. Бұл электр тогының соғуына әкелуі мүмкін.
- ▶ Дайындаманы қысқыш немесе басқа құралдың көмегімен тұрақты астыңғы бетке бекітіп тіркеңіз. Дайындаманы тек қана қолмен немесе денеңізге қысып ұстаған кезде, бақылау мүмкіндігінен айырылуыңыз мүмкін.

2.3 Қауіпсіздік техникасы бойынша қосымша нұсқаулар

Адамдардың қауіпсіздігі

- ▶ Құрылғыны тек техникалық мінсіз күйде ғана қолданыңыз.
- ▶ Аспапты бейімдеуге немесе өзгертуге тыйым салынады.
- ▶ Әрқашан аспапты екі қолмен тұтқыштарынан берік ұстаңыз. Тұтқышты құрғақ әрі таза күйінде ұстаңыз.
- ▶ Аспапты қолдану барысында арнайы қорғаныш көзілдірік, құлақ қорғанысын және қорғаныш қолғап киіп жүріңіз.
- ▶ Алмалы-салмалы аспапты ауыстырған кезде қорғауыш қаптаманы тіреңіз. Алмалы-салмалы аспапқа тию кесіктерге және күйіктерге апарып соғуы мүмкін.
- ▶ Қорғауыш көзілдіріктерді пайдаланыңыз. Материалдың сынықтары денені және көзді жарақаттауы мүмкін.



- ▶ Жұмысты бастау алдында дайындама материалы бойынша пайда болатын шаңның қауіп класын анықтаңыз. Аспаппен жұмыс істеу үшін қорғаныс дәрежесі күшіндегі шаңнан қорғау нормаларына сай құрылыс шаңсорғышын қолданыңыз.
- ▶ Жұмыс орнындағы ауа алмасуды жақсарту үшін әрекет етіңіз және қажетінше тиісті шаңға арналған респираторды тағыңыз. Мұндай шаңның бөлшектерімен дем алу немесе оған тию пайдаланушыларда немесе жанындағы адамдарда аллергиялық реакциялардың және/немесе дем алу жолдары ауруларының пайда болуына әкелуі мүмкін. Кейбір шаң түрлері (мысалы, өменді немесе шамшатты өңдеу кезінде пайда болатын шаң) канцерогенді деп есептеледі, әсіресе ағашты өңдеу үшін қолданылатын қосымша материалдармен (хром қышқылының тұзы, ағашты қорғау заттары) тіркесімде. Құрамында асбест бар материалдарды тек мамандар өңдеуі керек.
- ▶ Саусақтарыңыздың қандандыруын жақсарту үшін үзіліс жасап, жаттығулар жасаңыз. Ұзақ уақыт жұмыс істеген кезде, дірілдердің салдарынан саусақ, қол не буындардың қантамыры не жүйкесіне кері әсер тиюі мүмкін.

Электр қауіпсіздігі

- ▶ Жұмысты бастамас бұрын, жұмыс аймағындағы электрлік сымдар, газ бен су құбырлары жабық екендігіне көз жеткізіңіз. Ток сымна байқамастан зақым келтірген жағдайда, аспаптағы сыртта орналасқан металл бөлшектер ток соғу қаупін тудыруы мүмкін.

Электр құралдарымен дұрыс жұмыс істеу және дұрыс пайдалану

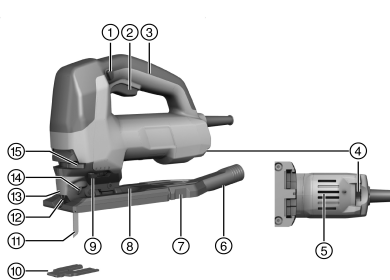
- ▶ Өңделетін бөлшекті берік бекітіңіз. Тартылмалы аспаптармен немесе қыспақпен бұрап бекітілген өңделетін зат қолмен бекіткенге қарағанда берік болып тұрады.

Жұқа араларға арналған қауіпсіздік бойынша арнайы нұсқаулар

- ▶ Аралау кезінде өнімді әрдайым денеден ары бағыттаңыз.
- ▶ Қолыңызды ешқашан ара төсемінің алдына немесе үстіне қоймаңыз.
- ▶ Белгісіз астыңғы бетте араламаңыз және кескіш төсемді үстінен және астынан бөгеттерден бос ұстаңыз.
- ▶ Аралау кезінде дайындаманың астын ұстамаңыз.

3 Сипаттама

3.1 Өнімге шолу



- 1 Төжегіш түйме
- 2 Негізгі сөндіргіш
- 3 Тұтқыш
- 4 Жүрістер жиілігін реттеуге арналған орнату дөңгелегі
- 5 Желдету ойықтары
- 6 Сорғыш адаптер
- 7 Бекіткіш ілмек
- 8 Тірек тақтасы
- 9 Маятник жүрісін реттеу иінтірегі
- 10 Сынудан қорғаныс
- 11 Ара төсемі
- 12 Жанасудан қорғаныс
- 13 Қаптама
- 14 Құрал бекіткіші
- 15 Ара төсемдерін құлыптан босату иінтірегі

3.2 Мақсатына сай қолдану

Сипатталған өнім қолмен басқарылатын электрлік маятниктік жұқа ара болып табылады. Ол пластик, ағаш пен металл дайындамаларды және гипс пен талшықты тақталарды аралауға арналған.

Өнім стандартты сорғыш шлангілер үшін арнайы жасақталған қосымша шаңсорғышқа арналған алмалы-салмалы байланыс келте құбырымен жабдықталған. Сорғыш шлангіні өнімге жалғау үшін тиісті адаптер қажет болуы мүмкін.

Аспапты тек фирмалық тақтайшада көрсетілген электр желісінің кернеуі болғанда ғана пайдалану мүмкін болады.



- Осы өнім үшін тек қана Т тәрізді білікпен (бір жұдырықшалы білік) ара төсемдерін пайдаланыңыз.

3.3 Ықтимал қате қолдану

- Өнімді бұтақтар мен ағаш діңін аралау үшін пайдалануға болмайды.
- Өнімді денсаулық үшін зиянды материалдарды өңдеу үшін пайдалануға болмайды.
- Өнімді ылғалды ортада орындалатын жұмыстар үшін пайдалануға болмайды.

3.4 Жоңқаны үрлеп шығару құрылғысы

Жоңқаны үрлеп шығару құрылғысы кесу сызығын жоңқадан босату үшін ауа ағынын ара төсеміне бағыттайды.

3.5 Жүрістер жиілігі

Жүрістер жиілігін орнату деңгелегінде реттеуге болады. 1-позиция 800 жүріс/минут шамасына, ал 6-позиция 3000 жүріс/минут шамасына сәйкес келеді.

Қосқыш/ажыратқыштың басылу күшіне байланысты, жүріс жылдамдығы 75 жүріс/минут шамасынан басталып, орнату деңгелегінде орнатылған белгілі бір жүрістерге дейін көтеріледі.

3.6 4 сатылы маятник қозғалысы

4 сатылы маятник қозғалысы арқылы кесу тереңдігі мен сапасы өңдеп жатқан материалға байланысты орнатылады. 4 сатыларды ауыстыру арнайы тұтқаның көмегімен орындалады.

Кесу жиегі қаншалықты таза және дәл болса, соншалықты кіші маятник сатысы таңдалуы мүмкін. Оңтайлы саты тәжірибеде анықталады.

Құралдың бөлшектері	Сипаттамасы
0-қадам	Маятник қозғалысы жоқ
1-қадам	Кіші маятник қозғалысы
2-қадам	Орташа маятник қозғалысы
3-қадам	Үлкен маятник қозғалысы

3.7 Тежегіш тұтқа 2

Тежегіш тұтқаны үш реттеу күйіне орнатуға болады.

1. Ортаңғы күйі қалыпты реттеу болып табылады: тежегіш тұтқа солға және оңға қарап тұруы тиіс. Мысалы, жүрістер жиілігін туралауға болады. Қосқыш/ажыратқышты басып жіберуге болады.
2. Тежегіш тұтқа тек қана солға қаратылуы тиіс: Тасымалдау күйі (аспап іске қосылмауы тиіс.) Қосқыш/ажыратқыш құлыптаулы, оны басу мүмкін емес.
3. Тежегіш тұтқа тек қана оңға қаратылуы тиіс: Аспап өшірілген соң (қосқыш/ажыратқыш толық басылған), «қосулы» күйін құлыптап қою үшін тежегіш тұтқаны оңға басуға болады. Құлыптауды босату үшін, қосқыш/ажыратқышты қайтадан басыңыз.

3.8 Сынудан қорғаныс

Өнім сынудан қорғаныспен жабдықталуы мүмкін.

Сынудан қорғаныс ағаш дайындамаларды аралау кезінде үстіңгі беттің жарылуына жол бермейді.

3.9 Жеткізілім жинағы

Ара төсемі бар маятниктік электр жұқа арасы, қаптама, сорғыш адаптер, сынудан қорғаныс, пайдалану бойынша нұсқаулық, ішкі алты қырлы гайка кілті.

Оған қоса, өніміңіз үшін рұқсат етілген жүйелік өнімді Hilti орталығында немесе келесі сайтта табуға болады: www.hilti.com



4 Техникалық сипаттамалар

4.1 Маятниктік электр жұқа арасы

i Генераторда немесе трансформаторда жұмыс істеген кезде, осы шығыс қуат аспаптың фирмалық тақтайшасында көрсетілген номиналды тұтынылатын қуаттан ең кемі екі есе жоғары болуы керек. Трансформатор немесе генератордың жұмыс кернеуі әрдайым аспаптың номиналды тұтынылатын қуатының +5 % және -15 % аралығында болуы керек.

Деректер 230 В номиналды кернеуге қатысты келеді. Өзгеше кернеулер мен елге қатысты үлгілер үшін деректер өзгешеленуі мүмкін. Номиналды кернеу мен жиілік және номиналды тұтынылатын қуат фирмалық тақтайшада көрсетілген.

	SJD 6
Номиналды тұтынылатын қуат	850 Вт
ЕРТА 01 әдісіне сай салмағы	2,4 кг
Бос жүрістегі жиілік	80 А/мин ... 3000 А/мин
Жүріс биіктігі	28 мм
Ағаш бойынша макс. кесу өнімділігі	150 мм
Алюминий бойынша макс. кесу өнімділігі	25 мм
Қоспасыз болат бойынша макс. кесу өнімділігі	10 мм
Кесу бұрышы (сол жақ/оң жақ)	0°, 15°, 30°, 45°
Сорғыш адаптердің сыртқы диаметрі	27,5 мм

4.2 EN 62841 стандарты бойынша шуыл туралы ақпарат және діріл мәні

Осы нұсқауларда көрсетілген дыбыс қысымы мен діріл деңгейі стандартты өлшеу әдісімен өлшенген және оны басқа электр құралдарымен салыстыру үшін пайдалануға болады. Сонымен бірге, ол экспозицияны алдын ала бағалау үшін жарайды.

Берілген деректер электр құралының негізгі жұмысын көрсетеді. Алайда, егер электр құралы басқа мақсаттарда, басқа жұмыс аспаптарымен қолданылса немесе оған қанағаттандырмайтын техникалық қызмет көрсетілсе, деректер өзгеше болуы мүмкін. Осының салдарынан аспаптың бүкіл жұмыс істеу кезеңінде экспозиция айтарлықтай артуы мүмкін.

Экспозицияны дәл анықтау үшін аспап сәндірілген күйде немесе бос жұмыс істейтін уақыт аралықтарын да ескеру керек. Осының салдарынан аспаптың бүкіл жұмыс істеу кезеңінде экспозиция айтарлықтай азаюы мүмкін.

Пайдаланушыны пайда болатын шуылдан және/немесе дірілден қорғау үшін қосымша сақтық шараларын қолданыңыз, мысалы: электр аспабына және жұмыс аспаптарына техникалық қызмет көрсету, қолдардың жылуын сақтау, жұмыс процестерін дұрыс ұйымдастыру.

Шуылдың эмиссиялық көрсеткіші

	SJD 6
Дыбыс күшінің деңгейі (L_{WA})	100,5 дБ(A)
Дыбыс күшінің деңгейі бойынша дәлсіздік (K_{WA})	5 дБ(A)
Дыбыс қысымының деңгейі (L_{pA})	89,5 дБ(A)
Дыбыс қысымының деңгейі бойынша дәлсіздік (K_{pA})	5 дБ(A)

Дірілдің жалпы көрсеткіші

	SJD 6
Ағаш тақталарды аралау бойынша діріл эмиссиясының мәні ($a_{h,B}$)	9,7 м/с ²
Металл парақты аралау бойынша діріл эмиссиясының мәні ($a_{h,M}$)	8,0 м/с ²
Дәлсіздік (K)	1,5 м/с ²



5 Ұзартқыш кабельді қолдану

ЕСКЕРТУ

Зақымдалған кабельден қауіп бар! Егер жұмыс кезінде желілік немесе ұзартқыш кабель зақымдалса, оған тиюге тыйым салынады. Желілік кабельді розеткадан шығарыңыз.

- ▶ Аспаптың желілік кабелін тұрақты түрде тексеріңіз және зақымдалған кабельді ауыстыру үшін тәжірибелі электрші маманды шақырыңыз.
- Тек жұмыс аймағы үшін рұқсат етілген, көлденең қимасы жеткілікті ұзартқыш кабельдерді қолданыңыз. Өзге жағдайда аспапта қуаттың жоғалуы және кабель қызып кетуі мүмкін.
- Ұзартқыш кабельде зақымдардың бар-жоғын жүйелі түрде тексеріп тұрыңыз.
- Зақымдалған ұзартқыш кабельді ауыстыру керек.
- Ашық ауада жұмыс істегенде тек пайдалануға рұқсат етілген, сәйкес белгілеуі бар ұзартқыш кабельдерді қолданыңыз.



Ұсынылатын минималды көлденең қималар мен максималды кабель ұзындықтары осы құжаттаманың соңында QR коды ретінде қолжетімді.

6 Жұмысқа дайындық

АБАЙЛАҢЫЗ

Жарақат алу қаупі бар! Өнімнің кездейсоқ іске қосылуы.

- ▶ Аспап реттеулерін орындау немесе қосалқы бөлшектерді алмастыру алдында желілік ашаны тартып шығарыңыз.

Осы құжаттамадағы және өнімдегі қауіпсіздік және ескерту нұсқауларын орындаңыз.

6.1 Ара төсемін орнату

1. Желілік кабель ашасын розеткадан шығарыңыз.
2. Ара төсемін (тістерімен кесу бағытында) құрал бекіткішіне (өзіне тән шырт еткен дыбысқа дейін) салыңыз.
3. Берік бекітілгеніне көз жеткізу үшін төсемді тартып көріңіз.

6.2 Қаптаманы орнату

- ▶ Қаптаманы алдыңғы жақтан өнімге қарай тірелгенше жылжытыңыз.

6.3 Сорғыш адаптерді орнату

1. Сорғыш адаптерді көлденеңнен артқы жақтан тірек тақтасының ішіне бекіткіш ілмектердің екеуі де бүйірде тірелгенше жылжытыңыз.
2. Шаңсорғыштың шлангісін сорғыш адаптерге жалғаңыз.

6.4 Маятник жүрісін орнату

1. Маятник жүрісінің дұрыс реттелуін тиісті ара төсемінің талаптарына сай алыңыз.
2. Маятник жүрісін реттеу иінтірегін төрт сатының → Бет 62 біріне орнатыңыз.

6.5 Жүрістер жиілігін орнату



Дұрыс реттеуді ара төсемінің тиісті талаптарына сай алыңыз.

- ▶ Жүрістер жиілігінің орнату дөңгелегін 1 (кіші) және 6 (үлкен) арасында орнатыңыз.

6.6 Кесу бұрышын орнату

1. Сорғыш адаптерді бөлшектеңіз. → Бет 66
2. Қыспа иінтіректі 90°-қа артқа қарай жылжытыңыз.
3. Қажетті кесу бұрышын (0°, 15°, 30° немесе 45°) орнатыңыз.



4. Қыспа иініректі 90°-қа алға қарай жылжытыңыз.
 - ▶ Тірек тақтасы қатты тартылған.
5. Сорғыш адаптерді орнатыңыз. → Бет 64

6.7 Сынудан қорғанысты орнату 9



Сынудан қорғанысты тек ол үшін қарастырылған ара төсемдері үшін пайдалануға болады.

1. Желілік кабель ашасын розеткадан шығарыңыз.
2. Сынудан қорғанысты астыңғы жақтан тірек тақтасының ішіне басыңыз.

7 Жұмыс істеу



ЕСКЕРТУ

Зақымдалған кабельден қауіп бар! Егер жұмыс барысында желілік немесе ұзартқыш кабельге зақым тисе, аспап пен кабельді дереу желіден ажыратыңыз. Бүлінген жерлерге тиіменіз!

- ▶ Барлық жалғағыш сымдарды жүйелі түрде тексеріп тұрыңыз. Бүлінген ұзартқыш кабельді алмастырыңыз. Зақымдалған желілік сымдарды ресми техник маманға жөндетіңіз.

Әдетте макс. өшіру тогы 30 мА шамасында болған кезде жылыстау тогынан қорғау автоматын (RCD) қолдану ұсынылады.

7.1 Шаңсорғыш аппарат



Шаңсорғыш аппарат шаң жүктемесін азайтады, кесудің жақсырақ көрерлігіне байланысты жұмыс қауіпсіздігін көтереді және шаң мен жоңқадан болатын жұмыс орнындағы жүктемелердің алдын алады.

1. Қаптаманы орнатыңыз. → Бет 64
2. Ағаш немесе материалдарды ұзақ уақыт бойы өңдеген кезде, сорғыш адаптер мен шаңсорғыш құрылғыны қосыңыз, себебі бұл ретте шаңның жоғары концентрациясы пайда болуы мүмкін.

7.2 Қосу 10

1. Қосқыш/ажыратқышты басыңыз.
2. Ажыратқышты бұғаттау үшін сонан соң тежегіш тұтқаны басыңыз.
3. Тежегішті босату үшін қосқыш/ажыратқышты қайтадан басыңыз.

7.3 Материалға ойып орнату

1. Маятник жүрісін реттеу тұтқасын 0 күйіне орнатыңыз.
2. Өнімді тірек тақтасының алдыңғы жиегімен дайындамаға орнатыңыз.
3. Өнімді ұстап тұрып, қосқыш/ажыратқышты басыңыз.
4. Өнімді дайындамаға қатты басып, орнату бұрышын азайту арқылы батырыңыз.
5. Дайындаманы төсіп алған жағдайда, өнімді қалыпты жұмыс күйіне қайтарыңыз.
 - ▶ Тірек тақтасы жазықтық бойынша қойылған.
6. Кесу сызығы бойынша кесуді жалғастырыңыз.

7.4 Өшіру

- ▶ Қосқыш/ажыратқышты жіберіңіз.



8 Демонтаж**⚠ АБАЙЛАҢЫЗ**

Жарақат алу қаупі бар! Өнімнің кездейсоқ іске қосылуы.

- ▶ Аспап реттеулерін орындау немесе қосалқы бөлшектерді алмастыру алдында желілік ашаны тартып шығарыңыз.

Осы құжаттамадағы және өнімдегі қауіпсіздік және ескерту нұсқауларын орындаңыз.

8.1 Сорғыш адаптерді бөлшектеу 11

1. Бекіткіш ілмектердің екеуін де ішке басыңыз.
2. Сорғыш адаптерді тірек тақтасынан артқа қарай тартыңыз.
3. Шаңсорғыш шлангісін сорғыш адаптерден тартып алыңыз.

8.2 Қаптаманы алып тастау 12

- ▶ Қаптаманы аздап еңкейтеңіз және оны алға жылжытумен алыңыз.

8.3 Ара төсемін шығарып тастау 13**⚠ ЕСКЕРТУ**

Жарақат алу қаупі бар. Ара төсемінің бақылаусыз шығып кетуі жарақаттануға апарып соғуы мүмкін.

- ▶ Ара төсемі шығарылған кезде өнімді адамдар не жануарлар ара төсемінің шығып кетуінен жарақат алмайтындай етіп ұстап тұрыңыз.

1. Желілік кабель ашасын розеткадан шығарыңыз.
2. Бекіткіш иінтірегін шетке тірелгенше жылжытыңыз.
 - ▶ Ара төсемі босатылып, шығарып тасталады.

9 Күту және техникалық қызмет көрсету**⚠ ЕСКЕРТУ**

Ток соғу қаупі бар! Желілік аша енгізіліп тұрған кезде күтім және техникалық қызмет көрсету ауыр жарақаттарға және өртке апарып соғуы мүмкін.

- ▶ Кез келген күтім және техникалық қызмет көрсету жұмысын орындамас бұрын желілік ашаны әрдайым суырып алыңыз!

Аспапты күту

- Қатты жабысқан кірді мұқият кетіріңіз.
- Желдету ойықтарын құрғақ щеткамен жайлап тазалаңыз.
- Корпусты тек сәл суланған шүберекпен тазалаңыз. Ешқандай силикон қамтитын күтім құралдарын пайдаланбаңыз, өйткені олар пластмасса бөлшектерін зақымдауы мүмкін.

Техникалық қызмет көрсету**⚠ ЕСКЕРТУ**

Ток соғу қаупі! Электрлік құрамдас бөлшектерді қате жөндеу ауыр жарақаттану мен өртке апарып соғуы мүмкін.

- ▶ Аспаптың электр бөлігін жөндеуді тек маман-электрикке тапсырыңыз.
- Барлық көзге көрінетін бөлшектерде зақымдардың бар-жоғын және басқару элементтерінің ақаусыз жұмысын жиі тексеріп тұрыңыз.
- Өнім зақымдалған және/немесе ақаулы болған жағдайда оны пайдаланушы болмаңыз. Бірден **Hilti** қызмет көрсету орталығына жөндетіңіз.
- Күтім және техникалық қызмет көрсету жұмыстарынан кейін барлық қорғауш құрылғыларды орнатып, жұмысын тексеріңіз.

i Қауіпсіз қолдану үшін тек түпнұсқа қосалқы бөлшектер мен жұмсалатын материалдарды қолданыңыз. Біз рұқсат еткен қосалқы бөлшектер, шығын материалдары мен өнімге арналған керек-жарақтар **Hilti Store** дүкенінде немесе келесі веб-сайтта қолжетімді: **www.hilti.group**.



9.1 Сорғыш адаптерді тазалау

1. Желілік кабель ашасын розеткадан шығарыңыз.
2. Шаңсорғыш шлангісін сорғыш адаптерден шығарып алыңыз.
3. Сорғыш адаптерді бөлшектеңіз. → Бет 66
4. Сорғыш адаптерді тазалаңыз.
5. Бекіткіш ілмектердің зақымдалмағанын қадағалап тұрыңыз.
6. Сорғыш адаптерді орнатыңыз. → Бет 64

9.2 Ара төсемдерін тазалау

1. Пайдаланылатын ара төсемдерінен шайырды жиі кетіріңіз.
2. Ара төсемін 24 сағатқа жермайға немесе стандартты шайыр кетіргіш құралға салып қойыңыз.

10 Тасымалдау және сақтау

Тасымалдау

- ▶ Аталмыш өнімді енгізілген құралмен бірге тасымалдамаңыз.
- ▶ Тасымалдау кезінде өнімнің берік бекітілгеніне көз жеткізіңіз.
- ▶ Әр тасымалдағаннан кейін көзге көрінетін барлық бөліктерде зақымдардың бар-жоғын және басқару элементтерінің ақаусыз жұмысын тексеріп тұрыңыз.

Сақтау

- ▶ Аталмыш өнімді әрдайым желілік ашасын ажыратып сақтаңыз.
- ▶ Аталмыш өнімді құрғақ күйінде және балалар мен рұқсаты жоқ адамдардың қолы жетпейтін жерде сақтаңыз.
- ▶ Ұзақ уақыт сақтағаннан кейін көзге көрінетін барлық бөліктерде зақымдардың бар-жоғын және басқару элементтерінің ақаусыз жұмысын тексеріп шығыңыз.


11 Ақаулықтардағы көмек

Бұл кестеде келтірілмеген немесе өзіңіз түзете алмайтын ақаулықтар орын алғанда, **Hilti** қызмет көрсету орталығына хабарласыңыз.

Ақаулық	Ықтимал себеп	Шешім
Ара төсемі сыртқа шығып кетеді.	Ара төсемі дұрыс бұғатталмайды.	<ul style="list-style-type: none"> ▶ Созу әрекетін қайталаңыз. ▶ Құрал бекіткіші толық ашылғанына және ара төсемі қарсылыққа қарай басылғанына көз жеткізіңіз.
	Созу жүйесі ластанған.	▶ Құрал бекіткішін тазалаңыз.
Ара төсемін енгізуге болмайды.	Созу жүйесі ластанған.	▶ Құрал бекіткішін тазалаңыз.
Маятник жүрісін ауыстыруға болмайды.	Маятник иінтірегінің гайкасы ластанған.	▶ Маятник иінтірегінің гайкасын кірден тазартыңыз.
Маятник жүрісі қызмет етпейді.	Маятник механизмі ластанған.	▶ Маятник ашасының аумағында кірдің бар-жоғын тексеріп шығыңыз да, оны жойыңыз.
	Маятник жүрісінің иінтірегі «0» позициясында.	▶ Қалаулы мәнді орнатыңыз.
Электр құралы қатты қызып кетті.	Электр бөлігі бойынша ақаулық.	<ul style="list-style-type: none"> ▶ Аспапты бірден өшіріңіз және желілік кабельді суырып алыңыз. ▶ Аспапты суытып, Hilti қызмет көрсету орталығына хабарласыңыз.



12 Көдеге жарату

 **Hilti** аспаптары қайта өңдеу үшін жарамды көптеген материалдардың санын қамтиды. Көдеге жарату алдында материалдарды мұқият сұрыптау керек. Көптеген елдерде **Hilti** компаниясы ескі аспабыңызды қайта өңдеу үшін қайта қабылдайды. **Hilti** қызмет көрсету орталығынан немесе дилеріңізден сұраңыз.



- ▶ Электр құралдарды, электрондық құрылғылар мен аккумуляторларды тұрмыстық қоқыспен бірге тастамаңыз!

13 RoHS (зиянды заттектердің пайдаланылуын шектеу директивасы)

Төмендегі сілтемелер бойынша зиянды заттектердің кестесі берілген: qr.hilti.com/r/5212956
RoHS кестесінің сілтемесі осы құжаттаманың соңында QR коды ретінде берілген.

14 Өндіруші кепілдігі

- ▶ Кепілдік шарттары туралы сұрақтарыңыз болса, жергілікті **Hilti** серіктесіне хабарласыңыз.

Оригинално Ръководство за експлоатация

1 Данни за документацията

1.1 Към настоящата документация

- Преди въвеждане в експлоатация прочетете настоящата документация. Това е предпоставка за безопасна работа и безаварийна употреба.
- Съблюдавайте указанията за безопасност и предупреждение в настоящата документация и върху продукта.
- Съхранявайте Ръководството за експлоатация винаги заедно с продукта и предавайте продукта на други лица само заедно с настоящото ръководство.

1.2 Условни обозначения

1.2.1 Предупредителни указания

Предупредителните указания предупреждават за опасност в зоната около продукта. Използват се следните сигнални думи:



ОПАСНОСТ

ОПАСНОСТ !

- ▶ Отнася се за непосредствена опасност от заплаха, която води до тежки телесни наранявания или смърт.



ПРЕДУПРЕЖДЕНИЕ

ПРЕДУПРЕЖДЕНИЕ !

- ▶ Отнася се за възможна опасност от заплаха, която може да доведе до тежки телесни наранявания или смърт.



ПРЕДПАЗЛИВОСТ

ПРЕДПАЗЛИВОСТ !

- ▶ Отнася се за възможна опасна ситуация, която може да доведе до леки телесни наранявания или материални щети.

1.2.2 Символи в документацията

В настоящата документация се използват следните символи:



Преди употреба прочетете Ръководството за експлоатация



	Препоръки при употреба и друга полезна информация
	Боравене с рециклируеми материали
	Не изхвърляйте електроуреди и акумулатори в битовите отпадъци

1.2.3 Символи във фигурите

Във фигурите се използват следните символи:

	Тези числа препращат към съответната фигура в началото на настоящото ръководство
3	Номерацията възпроизвежда последователното изпълнение на работните стъпки в изображението и може да се различава от работните стъпки в текста
	Позиционните номера се използват във фигурата Преглед и препращат към номерата на легендата в Раздел Преглед на продукта
	Този знак трябва да предизвика Вашето специално внимание при работа с продукта.

1.3 Символи в зависимост от продукта

1.3.1 Символи върху продукта

Върху продукта се използват следните символи:

n_0	Брой ходове при празен ход
	Безжичен пренос на данни

1.4 Информация за продукта

Продуктите са предназначени за професионални потребители и могат да бъдат обслужвани, поддържани в изправност и ремонтирани само от оторизиран компетентен персонал. Този персонал трябва да бъде специално инструктиран за възможните опасности. Описаният продукт и неговите приспособления могат да бъдат опасни, ако бъдат експлоатирани неправомерно от неквалифициран персонал или бъдат използвани не по предназначение.

Обозначението на типа и серийният номер са отбелязани върху типовата табелка.

- ▶ Пренесете серийния номер в представената по-долу таблица. Винаги подавайте тази информация, когато при възникнали въпроси за продукта се обръщате към нашето представителство или сервизен отдел.
- ▶ Пренесете серийния номер в представената по-долу таблица. Винаги подавайте тази информация, когато при възникнали въпроси за продукта се обръщате към нашето представителство или сервизен отдел.

Данни за продукта

Махален прободен трион	SJD 6
Поколение	01
Серийн №	

1.5 Декларация за съответствие

Ние декларираме на собствена отговорност, че описаният тук продукт отговаря на действащите директиви и стандарти. Копие на Декларацията за съответствие ще намерите в края на настоящата документация.

Тук се съхранява Техническата документация:

Hilti Entwicklungsgesellschaft mbH | Zulassung Geräte | Hiltistraße 6 | 86916 Kaufering, DE



2.1 Общи указания за безопасност при електроинструменти

⚠ ПРЕДУПРЕЖДЕНИЕ Прочетете всички указания за безопасност, инструкции, илюстрации и технически характеристики, с които е снабден този електроинструмент. Пропуски при спазване на приведените по-долу инструкции могат да предизвикат електрически удар, пожар и/или тежки наранявания.

Съхранявайте всички указания за безопасност и инструкции за бъдещи справки.

Използването в указанията за безопасност понятие "електроинструмент" се отнася до захранвани от електрическата мрежа електроинструменти (със захранващ кабел) или до захранвани от акумулатор електроинструменти (без захранващ кабел).

Безопасност на работното място

- ▶ **Поддържайте работното си място чисто и добре осветено.** Безпорядъкът или недостатъчното осветление в работната зона може да доведат до злополуки.
- ▶ **Не работете с електроинструмента във взривоопасна среда, където има горими течности, газове или прах.** В електроинструментите се отделят искри, които могат да възпламенят прахове или изпарения.
- ▶ **Дръжте деца и странични лица на безопасно разстояние, докато работите с електроинструмента.** Ако вниманието Ви бъде отклонено, може да загубите контрол върху уреда.

Безопасност при работа с електроинструменти

- ▶ **Съединителният щепсел на електроинструмента трябва да бъде подходящ за контакта. В никакъв случай не се допуска изменение на конструкцията на щепсела. Ако работите със заземени електроинструменти, не използвайте адаптери за щепсела.** Използването на оригинални щепсели и подходящи контакти намалява риска от електрически удар.
- ▶ **Избягвайте допира на тялото Ви до заземени повърхности като тръби, отоплителни уреди, печки и хладилници.** Рискът от възникване на електрически удар се увеличава, ако тялото Ви е заземено.
- ▶ **Предпазвайте електроинструментите от дъжд или влага.** Проникването на вода в електроинструмента повишава опасността от възникване на електрически удар.
- ▶ **Не използвайте съединителния проводник за цели, за които не е предназначен, напр. за носене на електроинструмента, за окачване или за изваждане на щепсела от контакта. Предпазвайте съединителния проводник от нагряване, масла, остри ръбове или движещи се части.** Повредени или усукани съединителни проводници увеличават риска от електрически удар.
- ▶ **Ако работите с електроинструмент на открито, използвайте само удължителни кабели, които са подходящи и за работа навън.** Използването на удължителен кабел, предназначен за работа на открито, намалява риска от електрически удар.
- ▶ **Ако не можете да избегнете работа с електроинструмента във влажна среда, използвайте ключ с вградена дефектнотокова защита.** Използването на ключ с вградена дефектнотокова защита намалява риска от електрически удар.

Безопасен начин на работа

- ▶ **Бъдете концентрирани, следете внимателно действията си и постъпвайте разумно при работа с електроинструменти. Не използвайте електроинструмент, ако сте уморени или се намирате под въздействие на наркотици, алкохол или медикаменти.** Само един момент на невнимание при използването на електроинструмента може да доведе до сериозни наранявания.
- ▶ **Носете лични предпазни средства и работете винаги със защитни очила.** Носенето на лични предпазни средства, като прахозащитна маска, обезопасени обувки със стабилен грайфер, защитна каска или антифони, според вида и употребата на електроинструмента, намалява риска от наранявания.
- ▶ **Избягвайте неволно включване на електроинструмента. Уверете се, че електроинструментът е изключен, преди да го свържете към електрозахранването и/или акумулатора, преди да го вземате или пренасяте.** Ако при носене на електроинструмента дръжте пръста си върху пусковия прекъсвач или ако свържете включения уред към електрозахранването, съществува опасност от злополука.
- ▶ **Преди да включите електроинструмента, се уверете, че сте отстранили от него всички инструменти за настройка или гаечни ключове.** Инструмент или ключ, който се намира на въртящо се звено, може да доведе до наранявания.
- ▶ **Избягвайте неудобните положения на тялото. Работете при стабилно положение на тялото и пазете равновесие във всеки един момент.** Така ще можете да контролирате електроинструмента по-добре, ако възникнат неочаквани ситуации.



- ▶ **Работете с подходящо облекло.** Не работете с широки и дълги дрехи или украшения. Дръжте косата си, дрехите си и ръкавиците си на безопасно разстояние от въртящи се части. Свободните дрехи, украшенията или дългите коси могат да бъдат захванати и увлечени от въртящи се части.
- ▶ **Ако е възможно монтирането на съоръжения за събиране и изсмукване на прах, се уверете, че те са включени и се използват правилно.** Използването на прахоуловител може да намали породените от прахове опасности.
- ▶ **Не се поддавайте на измамното усещане за сигурност и не пренебрегвайте правилата за безопасност за електроинструменти дори и след като много добре сте опознали електроинструмента и сте го използвали многократно.** Нехайното действие може да доведе за части от секундата до тежки наранявания.

Използване и обслужване на електроинструмента

- ▶ **Не претоварвайте уреда.** Използвайте електроинструмента само съобразно неговото предназначение. Ще работите по-добре и по-безопасно, ако използвате подходящия електроинструмент в посочения диапазон на мощност.
- ▶ **Не използвайте електроинструмент, чийто прекъсвач е повреден.** Електроинструмент, който не може повече да бъде включван или изключван, е опасен и трябва да бъде ремонтиран.
- ▶ **Извадете щепсела от контакта и/или отстранете разглобения акумулатор, преди да предприемете действия по настройките на уреда, смяната на принадлежности или прибирането на уреда.** Тази предпазна мярка предотвратява опасността от задействане на електроинструмента по невнимание.
- ▶ **Съхранявайте неизползвани в момента електроинструменти далеч от достъпа на деца.** Не допускайте използването на уреда от лица, които не са запознати с него или не са прочели настоящите инструкции. В ръцете на неопитни потребители електроинструментите могат да бъдат опасни.
- ▶ **Отнасяйте се грижливо към електроинструменти и принадлежности.** Проверявайте дали подвижните елементи функционират безупречно и не заклинват, дали има счупени или повредени части, които нарушават функциите на електроинструмента. Преди да използвате уреда, дайте повредените части за ремонт. Много злополуки се дължат на лошо поддържани електроинструменти.
- ▶ **Поддържайте режещите инструменти винаги добре заточени и чисти.** Добре поддържаните режещи инструменти с остри ръбове заклинват по-рядко и се водят по-лесно.
- ▶ **Използвайте електроинструменти, принадлежности, сменяеми инструменти и т.н. съгласно настоящите инструкции.** Съобразявайте се и с конкретните работни условия и с дейностите, които трябва да бъдат извършвани. Употребата на електроинструменти за цели, различни от предвидените от производителя, може да доведе до опасни ситуации.
- ▶ **Поддържайте ръкохватките и повърхностите за хващане сухи, чисти и незамърсени от масла и смазки.** Хлъзгави ръкохватки и повърхности за хващане не позволяват безопасно обслужване и контрол на електроинструмента в непредвидени ситуации.

Сервизиране

- ▶ **Ремонтът на електроинструмента трябва да се извършва само от квалифицирани специалисти и само с оригинални резервни части.** По този начин се гарантира съхранение на безопасността на електроинструмента.

2.2 Указания за безопасност прирязане с възвратно-постъпателно движение на режещия диск

- ▶ **Дръжте електроинструмента за изолираните повърхности за хващане, ако извършвате дейности, при които сменяемият инструмент може да попадне на скрита токопроводимост или на собствения си съединителен проводник.** Контактът с тоководещи проводници може да постави под напрежение също и метални части на уреда и да доведе до възникване на електрически удар.
- ▶ **Закрепете и обезопасете детайла върху стабилна основа с помощта на скоби или по друг начин.** Ако придържате детайла само с ръка или към тялото си, той остава нестабилен, което може да доведе до загуба на контрол.

2.3 Допълнителни указания за безопасност

Безопасен начин на работа

- ▶ Използвайте уреда само в технически изправно състояние.
- ▶ Никога не извършвайте манипулации или промени по уреда.



- ▶ Винаги дръжте уреда здраво с две ръце за предвидените за целта ръкохватки. Поддържайте ръкохватките сухи и чисти.
- ▶ При експлоатация на уреда носете подходящи защитни очила, антифони и защитни ръкавици.
- ▶ При подмяната на сменяемия инструмент носете защитни ръкавици. Допирът до сменяемия инструмент може да причини порезни рани и изгаряния.
- ▶ Използвайте защита за очите. Отломките от материала могат да наранят тялото и очите.
- ▶ Преди началото на работния процес се осведомете за степента на опасност от отделящия се при работа прах. Използвайте промишлен прахоуловител с официално разрешен клас на защита, който отговаря на местните наредби за защита на работещите от прах.
- ▶ Погрижете се за доброто проветряване на работното място и при нужда носете маска за дихателна защита, която е подходяща за съответния прах. При допир или вдишване на прах могат да възникнат алергични реакции и/или заболявания на дихателните пътища на потребителя или на намиращите се в близост лица. Някои прахове, като прах от дъб или бук, се считат за канцерогенни, особено в комбинация с добавки за дървообработка (хромат, средства за защита на дървесина). Азбестосъдържащият материал трябва да се обработва само от специалисти.
- ▶ Правете работни паузи и упражнения за подобряване на кръвообращението в пръстите. При продължителна работа вибрациите могат да предизвикат нарушения на кръвоносните съдове или нервната система в областта на ставите на пръстите, ръцете или китките.

Безопасност при работа с електроинструменти

- ▶ Преди началото на работния процес проверете работната зона за скрити електрически проводници, газо- и водопроводи. Външно лежащите метални елементи на уреда могат да причинят електрически удар, ако по невнимание повредите токопроводник.

Грижливо отношение към електроинструменти и внимателно боравене с тях

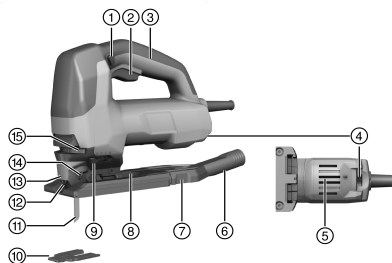
- ▶ Обезопасете детайла. Ако детайлът е закрепен със затегателни механизми или менгеме, той е фиксиран по-здраво, отколкото ако е закрепен само с ръка.

Специални указания за безопасност за пробивни триони

- ▶ При рязане винаги движете продукта по посока на отдалечаване от тялото.
- ▶ Никога не дръжте ръцете си пред или върху режещия нож.
- ▶ Не режете в основи с неустановен състав и поддържайте отсечката за рязане горе и долу свободна от препятствия.
- ▶ При рязането не хващайте участъка, намиращ се под детайла.

3 Описание

3.1 Преглед на продукта



- ① Стопорен бутон
- ② Включвател/изключвател
- ③ Ръкохватка
- ④ Регулатор за настройки на броя на ходовете
- ⑤ Вентилационни отвори
- ⑥ Изсмукващ адаптер
- ⑦ Стопорни куки
- ⑧ Основна плоча
- ⑨ Лост за регулация на махален ход
- ⑩ Защита срещу отчупване на стружки
- ⑪ Режещ нож
- ⑫ Защита срещу допир
- ⑬ Защитен капак
- ⑭ Патронник
- ⑮ Лост за освобождаване на режещия нож

3.2 Употреба по предназначение

Описаният продукт представлява ръчноводим електрически махален прободен трион. Той е предназначен за рязане на материали от пластмаси, дърво и метали, както и гипсови и влакнести плочи.



Продуктът е оборудван с демонтируем съединителен накрайник за опционален прахоуловител, който е предвиден за стандартни смукателни маркучи. За да свържете смукателния маркуч с продукта, може да имате нужда от подходящ адаптер.

Експлоатацията може да се извършва само при посочените върху типовата табелка мрежово напрежение и мрежова честота.

- ▶ За този продукт използвайте само режещи ножове с Т-опашка (опашка с една гърбица).

3.3 Възможни грешки при употреба

- Продуктът не трябва да се използва за рязане на клони и стволове на дървета.
- Продуктът не трябва да се използва за обработката на материали, застрашаващи здравето.
- Продуктът не трябва да се използва за работа във влажна среда.

3.4 Приспособление за издухване на стружки

Приспособлението за издухване на стружки подава въздушен поток към режещия нож, така че по линията за рязане да не остават стружки.

3.5 Брой на ходовете

Броят на ходовете може да бъде настройван от регулатора. Позиция 1 отговаря на 800 хода в минута, а позиция 6 отговаря на 3000 хода в минута.

В зависимост от това колко силно е натиснат включвателят/изключвателят, скоростта на хода започва със 75 хода в минута и нараства до определения ход, който е настроен от регулатора.

3.6 4-степенно махално движение

Чрез 4-степенното махално движение мощността на рязане и видът на разреза могат да бъдат напаснати към обработваемия материал. С лоста за регулация на махален ход се извършва превключване между 4-те степени.

Колкото по-чист и по-фин трябва да се получи ръбът на среза, толкова по-малка степен на махален ход трябва да бъде избрана. Оптималната настройка може да се установи на базата на практически опити.

Състояние	Значение
Степен 0	Няма махално движение
Степен 1	Слабо махално движение
Степен 2	Средно махално движение
Степен 3	Голямо махално движение

3.7 Блокиращо копче

Блокиращото копче може да бъде поставено в три положения.

1. Средното положение е нормалното положение: Блокиращото копче може да се види отляво и отдясно. То може да бъде напаснато напр. към броя на ходовете. Включвателят/изключвателят може да се натиска и освобождава.
2. Блокиращото копче може да се види само отляво: Транспортно положение (Уредът не може да се включи.)
Включвателят/изключвателят е блокиран, той не може да се натисне.
3. Блокиращото копче може да се види само отдясно: След като уредът е изключен (включвателят/изключвателят е натиснат докрай), блокиращото копче може да се натисне надясно, за да се блокира положението "Вкл.". За да освободите блокировката, натиснете отново включвателя/изключвателя.

3.8 Защита срещу отчупване на стружки

Продуктът може да бъде оборудван със защита срещу отчупване на стружки.

Посредством защитата срещу отчупване на стружки се намалява раздирането на повърхността при рязане на дървени плоскости.



3.9 Обем на доставката

махален прободен трион, защитен капак, изсмукващ адаптер, защита срещу отчупване на стружки, Ръководство за експлоатация, ключ за болтове с вътрешен шестостен.

Други системни продукти, разрешени за Вашия продукт, ще намерите във Вашия Център на Hilti или онлайн на: www.hilti.com

4 Технически данни

4.1 Махален прободен трион

i При работа с генератор или трансформатор мощността им на отдаване трябва да бъде най-малко двойно по-висока от номиналната консумация, посочена на типовата табелка на уреда. Работното напрежение на трансформатора или генератора по всяко време трябва да бъде в рамките на +5 % и -15 % от номиналното напрежение на уреда.

Данните са валидни за номинално напрежение 230 V. При променливо напрежение и специфични за дадена страна изпълнения данните могат да варират. Върху типовата табелка можете да намерите номиналното напрежение и честота, както и номиналната консумация, респ. номиналния ток.

	SJD 6
Номинална консумация	850 Вт
Тегло в съответствие с EPTA-Procedure 01	2,4 кг
Брой ходове при празен ход	80 об/мин ... 3 000 об/мин
Височина на хода	28 мм
Максимална мощност на рязане в дърво	150 мм
Максимална мощност на рязане в алуминий	25 мм
Максимална мощност на рязане в нелегирана стомана	10 мм
Ъгъл на рязане (ляво/дясно)	0°, 15°, 30°, 45°
Външен диаметър на изсмукващ адаптер	27,5 мм

4.2 Информация за шума и стойности на вибрациите съгласно EN 62841

Посочените в настоящите инструкции стойности на звуковото налягане и на вибрациите са били измерени в съответствие със стандартизиран метод на измерване и могат да бъдат използвани при сравняването на електроинструменти помежду им. Те са подходящи и за предварителна оценка на натоварването от трептения.

Посочените данни представят основните приложения на електроинструмента. Ако обаче електроинструментът се използва за други приложения, с различни сменяеми инструменти или при недостатъчна поддръжка, в данните може да се появят отклонения. Това може значително да повиши натоварването от трептения през целия период на експлоатация.

За точна преценка на натоварването от трептения трябва да се вземат предвид и периодите, в които уредът е изключен или работи, но не е в реална експлоатация. Това може значително да намали натоварването от трептения през целия период на експлоатация.

Определете допълнителни мерки за безопасност с цел защита на работещия срещу въздействието на звука и/или вибрациите, като например: поддръжка на електроинструмент и сменяеми инструменти, поддръжане на топли ръце, организация на работните процеси.

Стойности на шумовите емисии

	SJD 6
Ниво на звукова мощност (L_{WA})	100,5 дБ(A)
Отклонение при ниво на звукова мощност (K_{WA})	5 дБ(A)
Ниво на звуково налягане (L_{pA})	89,5 дБ(A)
Отклонение при ниво на звуково налягане (K_{pA})	5 дБ(A)



Общи стойности на вибрациите

	SJD 6
Емисионна стойност на вибрациите при рязане на дървени плоскости ($a_{h,v}$)	9,7 м/с ²
Емисионна стойност на вибрациите при рязане на метална ламарина ($a_{h,m}$)	8,0 м/с ²
Отклонение (K)	1,5 м/с ²

5 Използване на удължителен кабел

ПРЕДУПРЕЖДЕНИЕ

Опасност поради повредени кабели! Ако по време на работа се повреди мрежовият или удължителният кабел, не трябва да допирате кабела. Извадете мрежовия щепсел от контакта.

- ▶ Проверявайте редовно захранващия кабел на уреда и при повреда се обърнете към оторизиран специалист за подмяна.
- Използвайте само разрешени за областта на приложение удължителни кабели с достатъчно голямо сечение на кабелите. В противен случай може да възникне загуба на мощност на уреда и прегряване на кабела.
- Проверявайте редовно удължителния кабел за наличие на повреди.
- Подменете повредените удължителни кабели.
- Използвайте на открито само разрешените за тази цел и съответно маркирани удължителни кабели.



Препоръчани минимални сечения и максимални дължини на кабелите ще намерите в края на настоящата документация като QR код.

6 Подготовка на работата

ПРЕДПАЗЛИВОСТ

Опасност от нараняване! Неволно включване на продукта.

- ▶ Извадете мрежовия щепсел, преди да предприемете действия по настройките на уреда или смяна на принадлежностите.

Съблюдавайте указанията за безопасност и предупреждение в настоящата документация и върху продукта.

6.1 Поставяне на режещ нож

1. Извадете мрежовия щепсел от контакта.
2. Натискайте режещия нож (зъбците сочат по посока на рязане) в патронника, докато ножът се застопори.
3. Проверете дали режещият нож е закрепен надеждно, като го дръпнете с ръка.

6.2 Поставяне на защитен капак

- ▶ Плъзнете защитния капак отпред върху продукта, докато капакът се застопори.

6.3 Монтаж на изсмукващ адаптер

1. Плъзнете изсмукващия адаптер хоризонтално отзад в основната плоча, докато двете стопорни куки се фиксират странично.
2. Свържете маркуча на прахоуловителя към изсмукващия адаптер.

6.4 Настройка на махално движение

1. Правилната настройка на махалното движение ще намерите в заявката за съответния режещ нож.
2. Поставете лоста за регулиране на махалното движение на една от четирите степени → страница 73.



6.5 Настройка на броя на ходовете 7


 Правилната настройка ще намерите в съответните заявки за режещия нож.

- ▶ С регулатора настройте броя на ходовете между 1 (малък) и 6 (голям).

6.6 Настройка на ъгъл на рязане 8

1. Демонтирайте изсмукващия адаптер. → страница 77
2. Завъртете затягащия лост на 90° назад.
3. Настройте желанния ъгъл на рязане (0°, 15°, 30° или 45°).
4. Завъртете затягащия лост на 90° напред.
 - ▶ Основната плоча е затегната здраво.
5. Монтирайте изсмукващия адаптер. → страница 75

6.7 Монтаж на защита срещу отчупване на стружки 9

 Защитата срещу отчупване на стружки може да се използва само за предвидените за целта режещи ножове.

1. Извадете мрежовия щепсел от контакта.
2. Натиснете защитата срещу отчупване на стружки отдолу в основната плоча.

7 Работа


ПРЕДУПРЕЖДЕНИЕ

Опасност поради повредени кабели! Ако при работа се повреди мрежовият или удължителният кабел, изключете незабавно уреда и кабела от мрежата. Не допирайте неизправното място!

- ▶ Проверявайте редовно всички съединителни проводници. Подменете дефектните удължителни кабели. Предайте повредените мрежови кабели на оторизиран специалист за подмяна.

Принципно се препоръчва употребата на дефекнтокова защита (RCD) с максимален ток на изключване 30 mA.

7.1 Прахоуловител

 Прахоуловителят намалява праховото натрупване, повишава безопасността на труда поради по-добра видимост върху разреза и предотвратява по-голямо натрупване на прах и стружки на работното място.

1. Поставете защитния капак. → страница 75
2. Включете изсмукващия адаптер и устройството за прахоулавяне, ако продължително време обработвате дърво или материали, при които се отделя значително количество прах.

7.2 Включване 10

1. Натиснете включвателя/изключвателя.
2. За да блокирате превключвателя, натиснете след това блокиращото копче.
3. За да освободите блокировката, натиснете отново включвателя/изключвателя.

7.3 Рязане чрез потапяне

1. Поставете лоста за регулиране на махалното движение на позиция 0.
2. Поставете продукта с предния ръб на основната плоча върху детайла за рязане.
3. Дръжте продукта здраво и натиснете включвателя/изключвателя.
4. Притиснете продукта силно към детайла и го потапяйте с постепенно намаляване на ъгъла на накланяне.



5. Ако сте пробии детайла за рязане, върнете продукта в нормалното работно положение.
 - ▶ Основната плоча е прилепнала плътно към повърхността.
6. Продължете рязането по дължината на линията за рязане.

7.4 Изключване

- ▶ Освободете включвателя/изключвателя.

8 Демонтаж

ПРЕДПАЗЛИВОСТ

Опасност от нараняване! Неволно включване на продукта.

- ▶ Извадете мрежовия щепсел, преди да предприемете действия по настройките на уреда или смяна на принадлежностите.

Съблюдавайте указанията за безопасност и предупреждение в настоящата документация и върху продукта.

8.1 Демонтаж на изсмукващ адаптер

1. Натиснете навътре двете стопорни куки.
2. Издърпайте назад изсмукващия адаптер от основната плоча.
3. Издърпайте назад маркуча на прахоуловителя от изсмукващия адаптер.

8.2 Сваляне на защитен капак

- ▶ Наклонете леко защитния капак и го издърпайте напред.

8.3 Изваждане на режещ нож

ПРЕДУПРЕЖДЕНИЕ

Опасност от нараняване. Неконтролируемото изкачане на режещия нож може да причини наранявания.

- ▶ При изваждането на режещия нож дръжте продукта по такъв начин, че поради изскачането на режещия нож да не бъдат наранени хора или животни.

1. Извадете мрежовия щепсел от контакта.
2. Натиснете лоста за освобождаване на режещия нож настрани до крайна позиция.
 - ▶ Режещият нож се освобождава и се изважда.

9 Обслужване и поддръжка

ПРЕДУПРЕЖДЕНИЕ

Опасност от електрически удар! Обслужването и поддръжката с поставен мрежов щепсел могат да причинят тежки наранявания и изгаряния.

- ▶ Преди всяка дейност по обслужване и поддръжка винаги изваждайте мрежовия щепсел!

Обслужване

- Отстранявайте внимателно напластените замърсявания.
- Почиствайте внимателно вентилационните отвори със суха четка.
- Почиствайте корпуса само с леко навлажнена кърпа. Не използвайте препарати за почистване със силикон, тъй като те могат да увредят пластмасовите части.

Поддръжка

ПРЕДУПРЕЖДЕНИЕ

Опасност от електрически удар! Неправомерните ремонти по електрическата част могат да доведат до тежки наранявания и да причинят изгаряния.

- ▶ Ремонти по електрическата част могат да се извършват само от правоспособни електроспециалисти.



- Редовно проверявайте всички видими части за наличие на повреди, а елементите за управление - за изправно функциониране.
- Не работете с продукта при наличие на повреди и/или смущения във функциите. Незабавно предавайте уреда в сервиз на **Hilti** за ремонт.
- След извършване на дейности по обслужване и поддръжка монтирайте всички защитни устройства и проверете функциите.



За безопасна работа използвайте само оригинални резервни части и консумативи. Разрешение от нас резервни части, консумативи и принадлежности за Вашия продукт ще намерите във Вашия **Hilti Store** или на: www.hilti.group.

9.1 Почистване на изсмукващ адаптер

1. Извадете мрежовия щепсел от контакта.
2. Отстранете маркуча на прахоуловителя от изсмукващия адаптер.
3. Демонтирайте изсмукващия адаптер. → страница 77
4. Почистете изсмукващия адаптер.
5. Проверете дали стопорните куки не са повредени.
6. Монтирайте изсмукващия адаптер. → страница 75

9.2 Почистване на режещи ножове

1. Обезмаслявайте редовно използваните режещи ножове.
2. Поставете режещите ножове за 24 часа в керосин или обикновени средства за обезмасляване.

10 Транспорт и съхранение

Транспорт

- ▶ Не транспортирайте този продукт с поставен инструмент.
- ▶ При транспортиране внимавайте за надеждното закрепване.
- ▶ След всяко транспортиране проверявайте всички видим части за повреди и се уверете в изправното функциониране на елементите за управление.

Съхранение

- ▶ Съхранявайте този продукт винаги с изваден мрежов щепсел.
- ▶ Съхранявайте този продукт на сухо място, далеч от достъп на деца и неоторизирани лица.
- ▶ Проверявайте след продължително съхранение всички видим части за повреди и за изправно функциониране на елементите за управление.

11 Помощ при наличие на смущения

При наличие на смущения, които не са посочени в таблицата или които Вие сами не можете да отстраните, моля, обърнете се към нашия сервиз на **Hilti**.

Смущение	Възможна причина	Решение
Режещият нож изпада.	Режещият нож не е застопорен правилно.	<ul style="list-style-type: none"> ▶ Повторете процеса по обтягане. ▶ Обърнете внимание патронникът да е отворен изцяло и режещият нож да е натиснат докрай срещу съпротивлението.
	Затягащата система е замърсена.	<ul style="list-style-type: none"> ▶ Почистете патронника.
Режещият нож не може да се постави.	Затягащата система е замърсена.	<ul style="list-style-type: none"> ▶ Почистете патронника.
Махалното движение не може да се регулира.	Жлебът на лоста на махалото е замърсен.	<ul style="list-style-type: none"> ▶ Почистете жлеба на лоста на махалото от замърсявания.



Смущение	Възможна причина	Решение
Махалното движение не функционира.	Механизмът с махалото е замърсен.	► Проверете дали в областта на вилката на махалото има замърсяване и го почистете.
	Лостът на броя на ходовете е на позиция "0".	► Настройте желаната стойност.
Електроинструментът се нагорещява много.	Електрическа повреда.	<ul style="list-style-type: none"> ► Изключете уреда незабавно и извадете мрежовия кабел. ► Оставете уреда да се охлади и се обърнете към сервиз на Hilti.

12 Третиране на отпадъци

Уредите на са произведени в по-голямата си част от материали за многократна употреба. Предпоставка за многократното им използване е тяхното правилно разделяне. В много страни фирмата **Hilti** изкупува обратно Вашите употребявани уреди. Попитайте отдела на **Hilti** за обслужване на клиенти или Вашия търговски представител.



- Не изхвърляйте електроинструменти, електронни устройства и акумулатори в битовите отпадъци!

13 RoHS (Директива за ограничаване на употребата на опасни вещества)

Таблица на опасни вещества ще намерите на следния линк: qr.hilti.com/r5212956
 Линк към RoHS таблица ще намерите в края на настоящата документация като QR код.

14 Гаранция на производителя

- При въпроси относно гаранционните условия, моля, обърнете се към Вашия партньор на **Hilti** по места.

Manual de utilizare original

1 Date privind documentația

1.1 Referitor la această documentație

- Înainte de punerea în funcțiune, citiți complet această documentație. Aceasta este condiția necesară pentru un lucru în siguranță și pentru o manevrare fără defecțiuni.
- Aveți în vedere indicațiile de securitate și de avertizare din această documentație și de pe produs.
- Păstrați întotdeauna manualul de utilizare în preajma produsului și предаți-l altor persoane numai împreună cu aceste manual.

1.2 Explicitarea simbolurilor

1.2.1 Indicații de avertizare

Indicațiile de avertizare avertizează împotriva pericolelor care apar în lucrul cu produsul. Sunt utilizate următoarele cuvinte-semnal:



PERICOL

PERICOL !

- Pentru un pericol iminent și direct, care duce la vătămări corporale sau la accidente mortale.



⚠ ATENȚIONARE

ATENȚIONARE !

- ▶ Pentru un pericol iminent și posibil, care poate duce la vătămări corporale sau la accidente mortale.

⚠ AVERTISMENT

AVERTISMENT !

- ▶ Pentru situații care pot fi periculoase și pot provoca răniiri ușoare sau pagube materiale.

1.2.2 Simboluri în documentație

În această documentație sunt utilizate următoarele simboluri:

	Citiți manualul de utilizare înainte de folosire
	Indicații de folosire și alte informații utile
	Lucrul cu materiale reutilizabile
	Nu aruncați aparatele electrice și acumulatorii în containerele de gunoi menajer

1.2.3 Simboluri în imagini

Următoarele simboluri sunt utilizate în imagini:

	Aceste numere fac trimitere la imaginea respectivă de la începutul acestor instrucțiuni
	Numerotarea reflectă ordinea etapelor de lucru în imagine și poate să difere de etapele de lucru din text
	Numererele pozițiilor sunt utilizate în figura Vedere generală și fac trimitere la numerele din legendă în paragraful Vedere generală a produsului
	Acest semn are rolul de a stimula o atenție deosebită din partea dumneavoastră în lucrul cu produsul.

1.3 Simboluri în funcție de produs

1.3.1 Simboluri pe produs

Pe produs sunt utilizate următoarele simboluri:

	Numărul de curse la mersul în gol
	Transmisie fără fir a datelor

1.4 Informații despre produs

Produsele **HILTI** sunt destinate utilizatorilor profesioniști, iar operarea cu acestea, întreținerea și repararea lor sunt activități permise numai personalului autorizat și instruit. Acest personal trebuie să fie instruit în mod special cu privire la potențialele pericole. Produsul descris și mijloacele sale auxiliare pot genera pericole dacă sunt utilizate necorespunzător sau folosite inadecvat destinației de către personal neinstruit. Indicativil de model și numărul de serie sunt indicate pe plăcuța de identificare.

- ▶ Transcrieți numărul de serie în tabelul următor. Indicați întotdeauna aceste informații când vă adresați cu solicitări legate de produs la reprezentanța noastră sau la centrul de service.
- ▶ Transcrieți numărul de serie în tabelul următor. Indicați întotdeauna aceste informații când vă adresați cu solicitări legate de produs la reprezentanța noastră sau la centrul de service.

Date despre produs

Ferăstrău pendular pentru găuri	SJD 6
Generația	01
Număr de serie	



1.5 Declarație de conformitate

Declarăm pe propria răspundere că produsul descris aici este conform cu directivele și normele în vigoare. O imagine a declarației de conformitate găsiți la finalul acestei documentații.

Documentațiile tehnice sunt stocate aici:

Hilti Entwicklungsgesellschaft mbH | Zulassung Geräte | Hiltistraße 6 | 86916 Kaufering, DE

2 Securitate

2.1 Instrucțiuni de ordin general privind securitatea și protecția muncii pentru sculele electrice

⚠ ATENȚIONARE Consultați toate instrucțiunile de protecție a muncii, instrucțiunile de lucru, imaginile și datele tehnice cu care este prevăzută această sculă electrică. Neglijențele în respectarea următoarelor instrucțiuni pot provoca electrocutări, incendii și/ sau accidentări grave.

Păstrați toate instrucțiunile de protecție a muncii și instrucțiunile de lucru pentru consultare în viitor.

Termenul de „sculă electrică” folosit în instrucțiunile de protecție a muncii se referă la sculele cu alimentare de la rețea (cu cablu de rețea) la sculele electrice cu alimentare de la acumulatori (fără cablu de rețea).

Securitatea în locul de muncă

- ▶ **Mențineți curățenia și un iluminat bun în zona de lucru.** Dezordinea sau iluminatul insuficient în zona de lucru pot constitui surse de accidente.
- ▶ **Nu lucrați cu scula electrică în medii cu pericol de explozie, în care sunt prezente lichide, gaze sau pulberi inflamabile.** Sculele electrice generează scântei care pot aprinde pulberile sau vaporii.
- ▶ **Nu permiteți accesul copiilor și al altor persoane în zona de lucru pe parcursul utilizării sculei electrice.** În cazul distragerii atenției, puteți pierde controlul asupra aparatului.

Securitatea electrică

- ▶ **Fișa de racord a sculei electrice trebuie să se potrivească cu priza de alimentare.** Orice gen de modificare a fișei este interzis. Nu folosiți niciun tip de fișe adaptoare împreună cu scule electrice cu pământare de protecție. Fișele nemodificate și prizele adecvate diminuează riscul de electrocutare.
- ▶ **Evitați contactul corpului cu suprafețele legate la pământ, cum ar fi țevile, sistemele de încălzire, plitele și frigiderule.** Există un risc major de electrocutare atunci când corpul se află în contact cu obiecte legate la pământ.
- ▶ **Feriți sculele electrice de influența ploii și umidității.** Pătrunderea apei în scula electrică crește riscul de electrocutare.
- ▶ **Nu utilizați cablul de legătură în scopuri pentru care nu este destinat, de exemplu pentru a transporta scula electrică, a suspenda scula electrică sau pentru a trage fișa din priza de alimentare.** Feriți cablul de legătură de influențele căldurii, uleiului, muchiilor ascuțite sau componentelor aflate în mișcare. Cablurile de legătură deteriorate sau înfășurate majorează riscul de electrocutare.
- ▶ **Dacă lucrați cu o sculă electrică în aer liber, utilizați numai cabluri prelungitoare care sunt adecvate și pentru folosirea în exterior.** Folosirea cablurilor prelungitoare adecvate lucrului în aer liber diminuează riscul de electrocutare.
- ▶ **Dacă punerea în exploatare a sculei electrice într-un mediu cu umiditate nu se poate evita, utilizați un întrerupător automat de protecție diferențial.** Utilizarea unui întrerupător automat de protecție diferențial diminuează riscul de electrocutare.

Securitatea persoanelor

- ▶ **Procedați cu atenție, concentrați-vă la ceea ce faceți și lucrați în mod rațional atunci când manevrați o sculă electrică.** Nu folosiți nicio sculă electrică dacă sunteți obosit sau dacă vă aflați sub influența drogurilor, alcoolului sau medicamentelor. Un moment de neatenție în folosirea sculei electrice poate duce la accidentări serioase.
- ▶ **Purtați echipament personal de protecție și, întotdeauna, ochelari de protecție.** Folosirea echipamentelor personale de protecție, ca de ex. masca anti-praf, încălțăminta antiderapantă, casca de protecție sau căștile antifonice, în funcție de tipul sculei electrice și de natura aplicației de lucru, duce la diminuarea riscului de accidentare.
- ▶ **Împiedicați pornirea involuntară a aparatului.** Asigurați-vă că scula electrică este deconectată, înainte de a o racorda la alimentarea electrică și/ sau la acumulator, de a o lua din locul de lucru sau de a o transporta. Situațiile în care transportați scula electrică ținând degetul pe întrerupător sau racordați aparatul în stare pornită la alimentarea electrică pot duce la accidente.
- ▶ **Înainte de a porni scula electrică, îndepărtați uneltele de reglaj sau cheile fixe.** Un accesoriu de lucru sau o cheie fixă, aflate într-o componentă rotativă a aparatului, pot provoca vătămări corporale.



- ▶ **Evitați o poziție anormală a corpului. Asigurați-vă o poziție stabilă și păstrați-vă întotdeauna echilibrul.** În acest fel, veți putea controla mai bine scula electrică în situații neașteptate.
- ▶ **Purtați îmbrăcăminte de lucru adecvată. Nu purtați haine largi sau bijuterii. Țineți părul, îmbrăcăminte și mănușile departe de componentele aflate în mișcare.** Îmbrăcăminte largă, bijuteriile sau părul lung pot fi prinse de piesele aflate în mișcare.
- ▶ **Dacă există posibilitatea montării unor accesorii de aspirare și captare a prafului, asigurați-vă că acestea sunt racordate și folosite corect.** Utilizarea unui sistem de aspirare a prafului poate diminua pericolul provocat de praf.
- ▶ **Nu vă bazați pe măsuri de securitate greșite și nu vă dispensați de reglementările de securitate pentru sculele electrice, chiar dacă sunteți familiarizat cu scula electrică după multiple folosiri ale acesteia.** Lucrul neatent poate duce în fracțiuni de secundă la accidentări grave.

Utilizarea și manevrarea sculei electrice

- ▶ **Nu suprasolicitați aparatul. Folosiți scula electrică special destinată lucrării dumneavoastră.** Cu scula electrică adecvată, lucrați mai bine și mai sigur în domeniul de putere specificat.
- ▶ **Nu folosiți nicio sculă electrică având întrerupătorul defect.** O sculă electrică ce nu mai permite pornirea sau oprirea sa este periculoasă și trebuie reparată.
- ▶ **Scoateți fișa din priză și/ sau înlăturați acumulatorul dacă este detașabil, înainte de executarea unor reglaje la aparat, înlocuirea accesoriilor sau depozitarea aparatului.** Această măsură de precauție reduce riscul unei porniri involuntare a sculei electrice.
- ▶ **Păstrați sculele electrice în locuri inaccesibile copiilor, atunci când nu le utilizați. Nu permiteți folosirea aparatului de către persoane care nu sunt familiarizate cu acesta sau care nu au citit instrucțiunile de față.** Sculele electrice sunt periculoase atunci când sunt folosite de persoane fără experiență.
- ▶ **Îngrijiți sculele electrice și accesoriile cu multă atenție. Controlați funcționarea impecabilă a componentelor mobile și verificați dacă acestea nu se blochează, dacă există piese sparte sau care prezintă deteriorări de natură să influențeze negativ funcționarea sculei electrice. Dispuneți repararea pieselor deteriorate înainte de punerea în exploatare a aparatului.** Multe accidente se produc din cauza întreținerii defectuoase a sculelor electrice.
- ▶ **Păstrați accesoriile așchietoare bine ascuțite și curate.** Accesoriile așchietoare întreținute atent, cu muchii așchietoare bine ascuțite se blochează mai greu și pot fi conduse mai ușor.
- ▶ **Utilizați scula electrică, accesoriile, dispozitivele de lucru etc. corespunzător acestor instrucțiuni. Țineți seama de condițiile de lucru și de activitatea care urmează a fi desfășurată.** Folosirea unor scule electrice destinate altor aplicații de lucru decât cele prevăzute poate conduce la situații periculoase.
- ▶ **Mențineți mânerul și suprafețele mânerelor în stare uscată, curată, fără ulei și unsoare.** Mânerul și suprafețele mânerelor nu permit utilizarea și controlul sculei electrice în siguranță în situații neprevăzute, dacă sunt alunecoase.

Service

- ▶ **Încredințați repararea sculei electrice a dumneavoastră numai personalului calificat de specialitate și numai în condițiile folosirii pieselor de schimb originale.** În acest fel, este garantată menținerea siguranței de exploatare a sculei electrice.

2.2 Instrucțiuni de protecție a muncii pentru tăierea cu un ferăstrău cu pânză care execută mișcare oscilatorie

- ▶ **Țineți scula electrică de suprafețele izolate ale mânerelor, dacă executați lucrări în care dispozitivul de lucru poate întâlni conductori electrici ascunși sau propriul cablu de legătură.** Contactul cu un conductor parcurs de curent poate pune sub tensiune și piesele metalice ale aparatului și poate duce la electrocutări.
- ▶ **Fixați și asigurați accesoriul de lucru cu menghine sau într-un alt mod pe o suprafață-suport stabilă.** Dacă țineți piesa care se prelucrează numai cu mâna sau presată pe corpul dumneavoastră, ea rămâne într-o poziție labilă, ceea ce poate duce la pierderea controlului.

2.3 Instrucțiuni suplimentare de protecție a muncii

Securitatea persoanelor

- ▶ Utilizați aparatul numai în stare tehnică impecabilă.
- ▶ Nu efectuați niciodată intervenții neautorizate sau modificări la aparat.
- ▶ Țineți întotdeauna ferm aparatul cu ambele mâini de mânerul special prevăzute. Țineți mânerul uscat și curat.



- ▶ Pe parcursul utilizării aparatului, purtați ochelari de protecție, căști antifonice și mănuși de protecție adecvate.
- ▶ Purtați mănuși de protecție la schimbarea dispozitivului de lucru. Atingerea dispozitivului de lucru poate duce la vătămări prin tăiere și arsuri.
- ▶ Utilizați o apărătoare pentru ochi. Materialul sub formă de așchii poate produce vătămări ale corpului și ochilor.
- ▶ Înainte de începerea lucrului stabiliți clasa de pericolozitate a materialului pulverulent care se formează în timpul lucrărilor. Utilizați un aspirator de praf industrial cu clasificare a clasei de protecție avizată oficial, care corespunde dispozițiilor locale cu privire la protecția împotriva prafului.
- ▶ Asigurați o aerisire bună a locului de muncă și purtați, dacă este cazul, o mască de protecție a respirației, adecvată pentru praful respectiv. Atingerea sau inhalarea pulberii poate provoca reacții alergice și/ sau afecțiuni ale căilor respiratorii ale utilizatorului sau ale persoanelor aflate în apropiere. Anumite categorii de pulbere cum ar fi praful din lemn de stejar sau de fag sunt considerate drept cancerigene, în special în combinație cu substanțele suplimentare pentru tratarea lemnului (cromați, substanțe de protecție a lemnului). Manevrarea materialului care conține azbest este permisă numai persoanelor cu pregătire de specialitate.
- ▶ Faceți pauze de lucru și exerciții pentru îmbunătățirea circulației sanguine în degetele dumneavoastră. În cazul lucrărilor lungi, din cauza vibrațiilor sunt posibile tulburări la nivelul vaselor sanguine sau al sistemului nervos în degete, mâini sau articulațiile mâinilor.

Securitatea electrică

- ▶ Verificați înainte de începerea lucrului dacă în zona de lucru există conductori electrici, conducte de gaz și țevi de apă acoperite. Piesele metalice de pe exteriorul aparatului pot cauza o electrocutare dacă deteriorați accidental un conductor electric.

Manevrarea și folosirea cu precauție a sculelor electrice

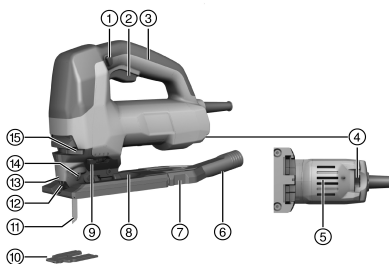
- ▶ Asigurați piesa care se prelucrează. O piesă imobilizată cu dispozitive de prindere sau cu menghina este menținută mai în siguranță decât numai cu mâna.

Instrucțiunile speciale de protecție a muncii pentru ferăstrăile pendulare verticale

- ▶ În cursul lucrărilor de tăiere cu ferăstrăul, conduceți întotdeauna produsul în sensul distanțării de corp.
- ▶ Nu țineți niciodată mâinile în fața pânzei de ferăstrău sau pe aceasta.
- ▶ Nu tăiați cu ferăstrăul materiale de bază necunoscute și mențineți calea de tăiere în partea de sus și în cea de jos liberă de obstacole.
- ▶ Pe parcursul tăierii cu ferăstrăul, nu atingeți zona de sub piesă.

3 Descriere

3.1 Vedere generală a produsului



- ① Buton de fixare
- ② Comutator de pornire/ oprire
- ③ Mâner
- ④ Rotița de reglare a frecvenței curselor
- ⑤ Fante de aerisire
- ⑥ Adaptor pentru aspirare
- ⑦ Cârlig de fixare
- ⑧ Placă de bază
- ⑨ Maneta pentru reglarea cursei pendulare
- ⑩ Protecție împotriva așchiilor
- ⑪ Pânză de ferăstrău
- ⑫ Protecție împotriva atingerii
- ⑬ Apărătoare
- ⑭ Mandrina
- ⑮ Manetă pentru deblocarea pânzei de ferăstrău



3.2 Utilizarea conformă cu destinația

Produsul descris este un ferăstrău pendular cu dirijare manuală și cu acționare electrică. El este destinat tăierii cu ferăstrăul a materialului plastic, lemnului și materialelor metalice, precum și plăcilor de gips și fibră. Produsul este echipat cu un ștuț de racord detașabil pentru un aspirator de praf opțional, conceput pentru furtunurile de aspiratoare uzuale. Pentru a îmbina furtunul de aspirare cu produsul, poate fi necesar un adaptor potrivit.

Punerea în exploatare este permisă numai la tensiunea și frecvența rețelei, indicate pe plăcuța de identificare.

- ▶ Utilizați pentru acest produs numai pânze de ferăstrău cu tijă de susținere T (coadă cu o camă).

3.3 Posibilă folosire greșită

- Nu este permis ca produsul să fie utilizat pentru tăierea de crengi și trunchiuri.
- Nu este permis ca produsul să fie utilizat pentru prelucrarea materialelor nocive pentru sănătate.
- Nu este permis ca produsul să fie utilizat pentru lucrări într-un mediu umed.

3.4 Dispozitivul de suflare a materialului așchiat

Dispozitivul de suflare a materialului așchiat dirijează un curent de aer către pânza de ferăstrău pentru a elibera linia de tăiere de materialul așchiat.

3.5 Frecvența curselor

Frecvența curselor poate fi reglată de la roțița de reglare. Poziția 1 corespunde cu 800 curse pe minut și poziția 6 corespunde cu 3000 curse pe minut.

În funcție de forța cu care este apăsat comutatorul de pornire/ oprire, viteza cursei începe cu 75 curse pe minut și crește până la frecvența definită a curselor care este reglată pe roțița de reglare.

3.6 Pendularea în 4 trepte

Randamentul de tăiere și forma tăieturii în materialul de prelucrat pot fi modificate prin intermediul pendulării în 4 trepte. Comutarea între cele 4 trepte se efectuează cu ajutorul manetei pentru reglarea cursei pendulare. Cu cât marginea tăieturii trebuie să fie mai precisă și mai fină, cu atât mai redusă trebuie să alegeți treapta de pendulare. Reglarea optimă poate fi determinată prin încercări.

Starea	Semnificație
Treapta 0	pendulare oprită
Treapta 1	pendulare redusă
Treapta 2	pendulare medie
Treapta 3	Pendulare mare

3.7 Buton opritor

Butonul opritor poate fi adus în trei poziții.

1. Poziția centrală este poziția normală: Butonul opritor se vede în stânga și dreapta. Poate fi adaptată de ex. frecvența curselor.
Comutatorul de pornire/ oprire poate fi apăsat și eliberat.
2. Butonul opritor se vede numai în stânga: poziția de transport (aparatură nu poate porni).
Comutatorul de pornire/ oprire este blocată, nu poate fi apăsat.
3. Butonul opritor se vede numai în dreapta: după ce aparatul este conectat (comutatorul de pornire/ oprire este apăsat complet), butonul opritor poate fi apăsat spre dreapta, pentru a bloca poziția „Pornit”. Pentru a debloca opritorul, se va apăsa din nou comutatorul de pornire/ oprire.

3.8 Protecție împotriva așchiilor

Produsul poate fi echipat cu o apărătoare antirupere pentru așchii.

Apărătoarea antirupere pentru așchii împiedică ruperea suprafeței la tăierea cu ferăstrăul a materialelor lemnoase.



3.9 Setul de livrare

Ferăstrău pendular cu pânză de ferăstrău, apărătoare, adaptor pentru aspirare, apărătoare antirupere așchii, manual de utilizare, cheie imbus.

Alte produse din sistem, avizate pentru produsul dumneavoastră, găsiți la centrul dumneavoastră **Hilti** sau online la: www.hilti.com

4 Date tehnice

4.1 Ferăstrău pendular pentru găuri



La punerea în exploatare cu un generator sau transformator, puterea debitată a acestora trebuie să fie cel puțin dublă față de puterea nominală consumată indicată pe plăcuța de identificare a aparatului. Tensiunea de lucru a transformatorului sau a generatorului trebuie să fie situată în orice moment într-un interval de +5 % până la -15 % din tensiunea nominală a aparatului.

Datele sunt valabile pentru o tensiune nominală de 230V. Dacă tensiunile și variantele de țară diferă, datele pot varia. Tensiunea nominală și frecvența, precum și puterea nominală consumată, respectiv curentul nominal sunt indicate pe plăcuța de identificare.

	SJD 6
Puterea nominală consumată	850 W
Greutate, conform EPTA-Procedure 01	2,4 kg
Numărul de curse la mersul în gol	80 rot/min ... 3.000 rot/min
Înălțimea cursei	28 mm
Randament de tăiere maxim în lemn	150 mm
Randament de tăiere maxim în aluminiu	25 mm
Randament de tăiere maxim în oțel nealiat	10 mm
Unghi de tăiere (stânga/dreapta)	0°, 15°, 30°, 45°
Diametrul exterior al adaptorului pentru aspirare	27,5 mm

4.2 Datele privind zgomotul și valorile vibrațiilor conform EN 62841

Valorile presiunii acustice și ale vibrațiilor indicate în aceste instrucțiuni au fost măsurate corespunzător unui procedeu standardizat de măsură și pot fi utilizate pentru compararea reciprocă a sculelor electrice. Ele sunt adecvate și pentru o apreciere provizorie a valorilor de expunere.

Datele indicate se referă la aplicațiile principale de lucru ale sculei electrice. Firește că, dacă scula electrică este utilizată pentru alte aplicații de lucru cu dispozitive de lucru neprevăzute sau cu o întreținere insuficientă, datele pot să difere. Acest lucru poate ridica în mod considerabil valorile de expunere pe întreaga durată de lucru.

Pentru o apreciere exactă a valorilor de expunere, trebuie să se ia în calcul și timpii în care aparatul este deconectat sau în care el funcționează, dar nu execută efectiv nicio activitate. Acest lucru poate reduce în mod considerabil valorile de expunere pe întreaga durată de lucru.

Stabiliți măsuri de securitate suplimentare pentru protecția operatorului față de efectele sonore și ale vibrațiilor, ca de exemplu: întreținerea sculei electrice și a dispozitivelor de lucru, menținerea mâinilor în stare caldă, organizarea proceselor de lucru.

Valorile emisiei de zgomot

	SJD 6
Nivelul puterii acustice (L_{WA})	100,5 dB(A)
Insecuritatea pentru nivelul puterii acustice (K_{WA})	5 dB(A)
Nivel presiunii acustice (L_{pA})	89,5 dB(A)
Insecuritatea pentru nivelul presiunii acustice (K_{pA})	5 dB(A)



Valori totale ale vibrațiilor

	SJD 6
Valoarea emisiei vibrațiilor la tăierea cu ferăstrăul a plăcilor din lemn ($a_{h,B}$)	9,7 m/s ²
Valoarea emisiei vibrațiilor la tăierea cu ferăstrăul a foilor metalice ($a_{h,M}$)	8,0 m/s ²
Insecuritatea (K)	1,5 m/s ²

5 Utilizarea cablurilor prelungitoare**⚠ ATENȚIONARE**

Pericol în caz de deteriorare a cablului! Dacă, în timpul lucrului, cablul de rețea sau cablul prelungitor suferă deteriorări, atingerea acestora este interzisă. Scoateți fișa de rețea din priză.

- ▶ Controlați cu regularitate cablul de legătură al mașinii; în cazul deteriorării acestuia, adresați-vă unui specialist autorizat în vederea înlocuirii.
- Utilizați numai cabluri prelungitoare avizate pentru domeniul aplicației de lucru, cu secțiune suficientă a conductorilor. În caz contrar, poate surveni o pierdere de randament la aparat și supraîncălzirea cablului.
- Controlați regulat dacă există deteriorări la cablul prelungitor.
- Înlocuiți cablurile prelungitoare dacă prezintă deteriorări.
- Dacă lucrați în aer liber, utilizați numai cabluri prelungitoare avizate în acest scop, prevăzute cu marcaje corespunzătoare.



Găsiți secțiunile minime recomandate și lungimile maxime ale cablurilor la finalul acestei documentații, sub formă de cod QR.

6 Pregătirea lucrului**⚠ AVERTISMENT**

Pericol de accidentare! Pornire involuntară a produsului.

- ▶ Trageți fișa de rețea din priză, înainte de executarea unor reglaje la mașină sau de a schimba accesorii.

Aveți în vedere indicațiile de securitate și de avertizare din această documentație și de pe produs.

6.1 Introducerea pânzei de ferăstrău 3

1. Scoateți fișa de rețea din priză.
2. Apăsăți pânza de ferăstrău (cu dinții în sensul de tăiere) în mandrină, până când se înclichează.
3. Controlați blocarea pânzei de ferăstrău, trăgând de aceasta.

6.2 Așezarea apărătorii 4

- ▶ Introduceți prin glisare apărătoarea pe aparat prin produs, până când se fixează.

6.3 Montarea adaptorului pentru aspirare 5

1. Introduceți prin glisare adaptorul pentru aspirare din spate orizontal în placa de bază, până când cele două cârlige de fixare sunt immobilizate în poziție în lateral.
2. Racordați furtunul aspiratorului de praf la adaptorul pentru aspirare.

6.4 Reglarea pendulării 6

1. Reglarea corectă a cursei pendulare este prezentată în caracteristicile pânzei de ferăstrău respective.
2. Poziționați pârghia pentru reglarea cursei pendulare pe una din cele patru trepte → Pagina 84.

6.5 Reglarea frecvenței curselor 7

Reglajul corect pot fi găsit în caracteristicile pânzei de ferăstrău respective.



- ▶ Reglați numărul de curse cu ajutorul roțiței de reglaj între 1 (reduc) și 6 (ridicat).

6.6 Reglarea unghiului de tăiere

1. Demontați adaptorul pentru aspirare. → Pagina 88
2. Pivotați pârghia de strângere cu 90° spre spate.
3. Reglați unghiul de tăiere dorit (0°, 15°, 30° sau 45°).
4. Pivotați pârghia de strângere cu 90° spre față.
 - ▶ Placa de bază este tensionată ferm.
5. Montați adaptorul pentru aspirare. → Pagina 86

6.7 Montarea apărătoarei antirupere pentru așchii

Apărătoarea antirupere pentru așchii poate fi utilizată numai pentru pânzele de ferăstrău prevăzute special.

1. Scoateți fișa de rețea din priză.
2. Apăsați apărătoarea antirupere pentru așchii de jos în placa de bază.

7 Lucrări

ATENȚIONARE

Pericol în caz de deteriorare a cablului! Dacă în timpul lucrului este deteriorat cablul de rețea sau prelungitorul, decuplați imediat aparatul/mașina și cablul de la rețea. Nu atingeți locul cu defecțiunea!

- ▶ Controlați regulat toate cablurile de legătură. Schimbați cablurile prelungitoare defecte. Dispuneți înlocuirea cablurilor de rețea deteriorate de către un specialist autorizat.

Se recomandă utilizarea sistematică a unui întrerupător automat de protecție diferențială (RCD), având un curent de declanșare de maxim 30 mA.

7.1 Sistem de aspirare a prafului

Sistemul de aspirare reduce praful, crește securitatea muncii prin ameliorarea vizibilității asupra tăieturii și împiedică acumulările de praf și material așchiat la locul de muncă.

1. Așezați apărătoarea. → Pagina 86
2. Conectați adaptorul pentru aspirare și dispozitivul de aspirare exterior dacă prelucreți o perioadă mai îndelungată lemn sau alte materiale, deoarece în aceste cazuri se poate produce o concentrație ridicată de praf.

7.2 Conectarea

1. Apăsați comutatorul de pornire/oprire.
2. Pentru blocarea comutatorului, apăsați apoi butonul opritor.
3. Pentru deblocarea opritorului, apăsați din nou comutatorul de pornire/oprire.

7.3 Străpungerea cu ferăstrăul

1. Comutați maneta pentru reglarea cursei pendulare în poziția 0.
2. Așezați produsul cu marginea anterioară a plăcii de bază pe piesa care se prelucrează.
3. Țineți ferm produsul și apăsați comutatorul de pornire/oprire.
4. Apăsați ferm produsul pe piesa care se prelucrează și penetrați prin reducerea unghiului de sprijin.
5. După ce ați străpuns piesa care se prelucrează, aduceți produsul în poziția de lucru normală.
 - ▶ Placa de bază se sprijină cu toată suprafața.
6. Continuați să tăiați în lungul liniei de tăiere.



7.4 Deconectarea

- ▶ Eliberați comutatorul de pornire/oprire.

8 Demontarea

AVERTISMENT

Pericol de accidentare! Pornire involuntară a produsului.

- ▶ Trageți fișa de rețea din priză, înainte de executarea unor reglaje la mașină sau de a schimba accesorii.

Aveți în vedere indicațiile de securitate și de avertizare din această documentație și de pe produs.

8.1 Demontarea adaptorului pentru aspirare

1. Apăsăți cele două cârlige de fixare spre interior.
2. Desprindeți adaptorul pentru aspirare de la placa de bază spre partea posterioară.
3. Desprindeți furtunul aspiratorului de la adaptorul pentru aspirare.

8.2 Detașarea apărătorii

- ▶ Încălinați ușor apărătoarea și trageți-o către partea frontală.

8.3 Ejectarea pânzei de ferăstrău

ATENȚIONARE

Pericol de accidentare. Ejectarea necontrolată a pânzei de ferăstrău poate duce la accidentări.

- ▶ La ejectarea pânzei de ferăstrău, țineți produsul astfel încât nicio persoană sau niciun animal să nu sufere vătămări prin această acțiune.

1. Scoateți fișa de rețea din priză.
2. Apăsăți lateral maneta dispozitivului de deblocare a pânzei de ferăstrău până la opritor.
 - ▶ Pânza de ferăstrău va fi eliberată și ejectată.

9 Îngrijirea și întreținerea

ATENȚIONARE

Pericol de electrocutare! Îngrijirea și întreținerea cu fișa de rețea introdusă pot produce accidentări grave și arsuri.

- ▶ Înaintea tuturor activităților de îngrijire și lucrărilor de întreținere, scoateți întotdeauna fișa de rețea!

Îngrijirea

- Îndepărtați cu precauție murdăria aderentă.
- Curățați fantele de aerisire cu multă atenție, folosind o perie uscată.
- Curățați carcasa numai cu o cârpă ușor umezită. Nu utilizați produse de îngrijire care conțin silicon, deoarece acestea pot ataca piesele din plastic.

Întreținerea

ATENȚIONARE

Pericol de electrocutare! Reparațiile executate impropriu la componentele electrice pot duce la accidentări grave și la arsuri.

- ▶ Efectuarea de reparații la părțile electrice este permisă numai electricienilor autorizați.
- Verificați regulat la toate piesele vizibile dacă există deteriorări și funcționare impecabilă a elementelor de comandă.
- În caz de deteriorări și/ sau disfuncționalități, nu puneți produsul în exploatare. Dispuneți imediat repararea la centrul de service **Hilti**.
- După lucrările de îngrijire și întreținere atașați toate dispozitivele de protecție și verificați funcționarea.





Pentru o exploatare sigură utilizați numai piese de schimb și materiale consumabile originale. Piese de schimb, materiale consumabile și accesorii avizate de noi pentru produs găsiți la centrul dumneavoastră **Hilti Store** sau la: www.hilti.group.

9.1 Curățarea adaptorului pentru aspirare

1. Scoateți fișa de rețea din priză.
2. Îndepărtați furtunul aspiratorului de praf de la adaptorul pentru aspirare.
3. Demontați adaptorul pentru aspirare. → Pagina 88
4. Curățați adaptorul pentru aspirare.
5. Controlați starea nedeteriorată a cârligelor de fixare.
6. Montați adaptorul pentru aspirare. → Pagina 86

9.2 Curățarea pânzelor de ferăstrău

1. Curățați regulat rășina de pe pânzele de ferăstrău folosite.
2. Introduceți pânzele de ferăstrău timp de 24 ore în petrol sau agent uzual din comerț pentru îndepărtarea rășinii.

10 Transportul și depozitarea

Transportul

- ▶ Nu transportați acest produs cu accesoriul de lucru introdus.
- ▶ Acordați atenție stabilității asigurate la transport.
- ▶ Verificați după fiecare transport la toate piesele vizibile dacă există deteriorări și funcționarea impecabilă a elementelor de comandă.

Depozitarea

- ▶ Depozitați întotdeauna acest produs cu fișa de rețea scoasă.
- ▶ Depozitați acest produs în spații uscate și inaccesibile pentru copii și persoane neautorizate.
- ▶ Verificați după o depozitare mai îndelungată la toate piesele vizibile dacă există deteriorări și funcționarea impecabilă a elementelor de comandă.

11 Asistență în caz de avarii

În cazul avariilor care nu sunt prezentate în acest tabel sau pe care nu le puteți remedia prin mijloace proprii, vă rugăm să vă adresați centrul nostru de service **Hilti**.

Avarie	Cauza posibilă	Soluție
Pânza de ferăstrău cade în exterior.	Pânza de ferăstrău nu este blocată corect.	<ul style="list-style-type: none"> ▶ Repetați procedeul de tensionare. ▶ Aveți în vedere ca mandrina să fie deschisă complet și pânza de ferăstrău să fie apăsată în sens contrar rezistenței.
	Sistemul de tensionare murdărit.	▶ Curățați mandrina.
Pânza de ferăstrău nu poate fi introdusă.	Sistemul de tensionare murdărit.	▶ Curățați mandrina.
Cursa pendulară nu se poate corecta.	Canelura pârghiei pendulului murdărită.	▶ Curățați de impurități canelura pârghiei pendulului.
Cursa pendulară nu funcționează.	Mecanismul de pendulare murdărit.	▶ Verificați dacă în zona furcii de pendulare există murdărie, îndepărtați-o.
	Pârghia pentru cursa pendulară este în poziția "0".	▶ Reglați valoarea dorită.



Avarie	Cauza posibilă	Soluție
Scula electrică devine foarte fierbinte.	Defecțiune electrică.	<ul style="list-style-type: none"> ▶ Deconectați imediat aparatul și scoateți cablul de rețea. ▶ Lăsați aparatul să se răcească și adresați-vă centrului de service Hilti.

12 Dezafectarea și evacuarea ca deșeuri

Mașinile **Hilti** sunt fabricate într-o proporție mare din materiale reutilizabile. Condiția necesară pentru reciclare este separarea corectă a materialelor. În multe țări, **Hilti** preia mașinile dumneavoastră vechi pentru revalorificare. Solicitați relații la centrul pentru clienți **Hilti** sau la consilierul dumneavoastră de vânzări.



- ▶ Nu aruncați sculele electrice, aparatele electronice și acumulatorii în containerele de gunoi menajer!

13 RoHS (directiva privind limitarea utilizării substanțelor periculoase)

Sub link-ul următor găsiți tabelul substanțelor periculoase: qr.hilti.com/r5212956

Un link referitor la tabelul RoHS găsiți la finalul acestei documentații sub formă de cod QR.

14 Garanția producătorului

- ▶ Pentru relații suplimentare referitoare la condițiile de garanție, vă rugăm să vă adresați partenerului dumneavoastră local **Hilti**.

Μετάφραση οδηγιών χρήσης από το πρωτότυπο

1 Στοιχεία για την τεχνική τεκμηρίωση

1.1 Σχετικά με την παρούσα τεκμηρίωση

- Πριν από την πρώτη θέση σε λειτουργία διαβάστε την παρούσα τεκμηρίωση. Αποτελεί προϋπόθεση για ασφαλή εργασία και απρόσκοπτο χειρισμό.
- Προσέξτε τις υποδείξεις ασφαλείας και προειδοποιήσης στην παρούσα τεκμηρίωση και στο προϊόν.
- Φυλάξτε τις οδηγίες χρήσης πάντα στο προϊόν και δίνετε το προϊόν σε άλλα πρόσωπα μόνο μαζί με αυτές τις οδηγίες χρήσης.

1.2 Επεξήγηση συμβόλων

1.2.1 Υποδείξεις προειδοποίησης

Οι υποδείξεις προειδοποίησης προειδοποιούν από κινδύνους κατά την εργασία με το προϊόν. Χρησιμοποιούνται οι ακόλουθες λέξεις επισήμανσης:



ΚΙΝΔΥΝΟΣ

ΚΙΝΔΥΝΟΣ !

- ▶ Για μια άμεσα επικίνδυνη κατάσταση, που οδηγεί σε σοβαρό ή θανατηφόρο τραυματισμό.



ΠΡΟΕΙΔΟΠΟΙΗΣΗ

ΠΡΟΕΙΔΟΠΟΙΗΣΗ !

- ▶ Για μια πιθανά επικίνδυνη κατάσταση, που μπορεί να οδηγήσει σε σοβαρό ή θανατηφόρο τραυματισμό.



ΠΡΟΣΟΧΗ

ΠΡΟΣΟΧΗ !

- Για μια πιθανόν επικίνδυνη κατάσταση, που ενδέχεται να οδηγήσει σε ελαφρύ τραυματισμό ή υλικές ζημιές.

1.2.2 Σύμβολα στην τεκμηρίωση

Στην παρούσα τεκμηρίωση χρησιμοποιούνται τα ακόλουθα σύμβολα:

	Πριν από τη χρήση διαβάστε τις οδηγίες χρήσης
	Υποδείξεις χρήσης και άλλες χρήσιμες πληροφορίες
	Χειρισμός ανακυκλώσιμων υλικών
	Μην πετάτε τα ηλεκτρικά εργαλεία και τις μπαταρίες στον κάδο οικιακών απορριμμάτων

1.2.3 Σύμβολα σε εικόνες

Στις εικόνες χρησιμοποιούνται τα ακόλουθα σύμβολα:

	Αυτοί οι αριθμοί παραπέμπουν στην εκάστοτε εικόνα στην αρχή αυτών των οδηγιών
	Η αρίθμηση δείχνει τη σειρά των βημάτων εργασίας στην εικόνα και ενδέχεται να διαφέρει από τα βήματα εργασίας στο κείμενο
	Οι αριθμοί θέσης χρησιμοποιούνται στην εικόνα Επισκόπηση και παραπέμπουν στους αριθμούς του υπομνήματος στην ενότητα Συνοπτική παρουσίαση προϊόντος
	Αυτό το σύμβολο έχει σκοπό να επιστήση ιδιαίτερα την προσοχή σας κατά την εργασία με το προϊόν.

1.3 Σύμβολα ανάλογα με το προϊόν

1.3.1 Σύμβολα στο προϊόν

Στο προϊόν χρησιμοποιούνται τα ακόλουθα σύμβολα:

	Αριθμός εμβολισμών χωρίς φορτίο
	Ασύρματη μεταφορά δεδομένων

1.4 Πληροφορίες προϊόντος

Τα προϊόντα της προορίζονται για τον επαγγελματία χρήστη και ο χειρισμός, η συντήρηση και η επισκευή τους επιτρέπεται μόνο από εξουσιοδοτημένο, ενημερωμένο προσωπικό. Το προσωπικό αυτό πρέπει να έχει ενημερωθεί ειδικά για τους κινδύνους που ενδέχεται να παρουσιαστούν. Από το περιγραφόμενο προϊόν και τα βοηθητικά του μέσα ενδέχεται να προκληθούν κίνδυνοι, όταν ο χειρισμός τους γίνεται με ακατάλληλο τρόπο από μη εκπαιδευμένο προσωπικό ή όταν δεν χρησιμοποιούνται με κατάλληλο τρόπο.

Η περιγραφή τύπου και ο αριθμός σειράς αναγράφονται στην πινακίδα τύπου.

- Αντιγράψτε τον αριθμό σειράς στον ακόλουθο πίνακα. Αναφέρετε πάντα αυτές τις πληροφορίες κάθε φορά που απευθύνεστε με ερωτήματα για το προϊόν στην αντιπροσωπεία μας ή στο σέρβις.
- Αντιγράψτε τον αριθμό σειράς στον ακόλουθο πίνακα. Αναφέρετε πάντα αυτές τις πληροφορίες κάθε φορά που απευθύνεστε με ερωτήματα για το προϊόν στην αντιπροσωπεία μας ή στο σέρβις.

Στοιχεία προϊόντος

Πριόνι με κυκλική παλινδρόμηση	SJD 6
Γενιά	01
Αρ. σειράς	



1.5 Δήλωση συμμόρφωσης

Δηλώνουμε ως μόνοι υπεύθυνοι, ότι το προϊόν που περιγράφεται εδώ συμφωνεί με τις ισχύουσες οδηγίες και τα ισχύοντα πρότυπα. Ένα αντίγραφο της δήλωσης συμμόρφωσης υπάρχει στο τέλος αυτής της τεκμηρίωσης. Τα έγγραφα τεχνικής τεκμηρίωσης υπάρχουν εδώ:

Hilti Entwicklungsgesellschaft mbH | Zulassung Geräte | Hiltistraße 6 | 86916 Kaufering, DE

2 Ασφάλεια

2.1 Γενικές υποδείξεις για την ασφάλεια για ηλεκτρικά εργαλεία

⚠ ΠΡΟΕΙΔΟΠΟΙΗΣΗ Διαβάστε όλες τις υποδείξεις ασφαλείας, τις οδηγίες, τις εικόνες και τα τεχνικά χαρακτηριστικά τα οποία υπάρχουν σε αυτό το ηλεκτρικό εργαλείο. Η παράβλεψη των ακόλουθων οδηγιών μπορεί να προκαλέσει ηλεκτροπληξία, πυρκαγιά και/ή σοβαρούς τραυματισμούς.

Φυλάξτε όλες τις υποδείξεις για την ασφάλεια και τις οδηγίες για μελλοντική χρήση.

Ο όρος "ηλεκτρικό εργαλείο" που χρησιμοποιείται στις υποδείξεις για την ασφάλεια αναφέρεται σε ηλεκτρικά εργαλεία που λειτουργούν συνδεδεμένα τα στο ηλεκτρικό δίκτυο (με καλώδιο τροφοδοσίας) και σε ηλεκτρικά εργαλεία που λειτουργούν με επαναφορτιζόμενες μπαταρίες (χωρίς καλώδιο τροφοδοσίας).

Ασφάλεια χώρου εργασίας

- ▶ **Διατηρείτε το χώρο εργασίας σας καθαρό και με καλό φωτισμό.** Η αταξία στο χώρο εργασίας και οι μη φωτισμένες περιοχές μπορεί να οδηγήσουν σε ατυχήματα.
- ▶ **Μην εργάζεστε με το ηλεκτρικό εργαλείο σε περιβάλλον επικίνδυνο για εκρήξεις, στο οποίο υπάρχουν εύφλεκτα υγρά, αέρια ή σκόνη.** Από τα ηλεκτρικά εργαλεία δημιουργούνται σπινθήρες, οι οποίοι μπορεί να αναφλέξουν τη σκόνη ή τις αναθυμιάσεις.
- ▶ **Κατά τη χρήση του ηλεκτρικού εργαλείου κρατάτε μακριά τα παιδιά και άλλα πρόσωπα.** Εάν σας αποσπάσουν την προσοχή, μπορεί να χάσετε τον έλεγχο του εργαλείου.

Ηλεκτρική ασφάλεια

- ▶ **Το φως σύνδεσης του ηλεκτρικού εργαλείου πρέπει να ταιριάζει στην πρίζα. Δεν επιτρέπεται σε καμία περίπτωση η μετατροπή του φως. Μη χρησιμοποιείτε αντάπτορες φως μαζί με γειωμένα ηλεκτρικά εργαλεία.** Τα φως που δεν έχουν υποστεί μετατροπές και οι κατάλληλες πρίζες μειώνουν τον κίνδυνο ηλεκτροπληξίας.
- ▶ **Αποφεύγετε την επαφή του σώματος με γειωμένες επιφάνειες, όπως σωλήνες, καλοριφέρ, ηλεκτρικές κουζίνες και ψυγεία.** Υπάρχει αυξημένος κίνδυνος ηλεκτροπληξίας, όταν το σώμα σας είναι γειωμένο.
- ▶ **Μην εκθέτετε τα ηλεκτρικά εργαλεία σε βροχή ή σε υγρασία.** Η εισχώρηση νερού στο ηλεκτρικό εργαλείο αυξάνει τον κίνδυνο ηλεκτροπληξίας.
- ▶ **Μην χρησιμοποιείτε το καλώδιο σύνδεσης για να μεταφέρετε ή να αναρτήσετε το ηλεκτρικό εργαλείο ή για να τραβήξετε το φως από την πρίζα. Κρατάτε το καλώδιο σύνδεσης μακριά από υψηλές θερμοκρασίες, λάδια, αιχμηρές ακμές ή κινούμενα μέρη.** Τα ελαττωματικά ή τα περιστραμμένα καλώδια σύνδεσης αυξάνουν τον κίνδυνο ηλεκτροπληξίας.
- ▶ **Όταν εργάζεστε με το ηλεκτρικό εργαλείο σε υπαίθριους χώρους, χρησιμοποιείτε μόνο καλώδια προέκτασης (μπαλαντζές), που είναι κατάλληλα για χρήση σε εξωτερικούς χώρους.** Η χρήση ενός καλωδίου προέκτασης κατάλληλου για χρήση σε υπαίθριους χώρους μειώνει τον κίνδυνο ηλεκτροπληξίας.
- ▶ **Εάν δεν μπορεί να αποφευχθεί η λειτουργία του ηλεκτρικού εργαλείου σε περιβάλλον με υγρασία, χρησιμοποιήστε αυτόματο ρελέ.** Η χρήση ενός αυτόματου ρελέ μειώνει τον κίνδυνο ηλεκτροπληξίας.

Ασφάλεια προσώπων

- ▶ **Να είσατε πάντα προσεκτικοί, να προσέχετε τι κάνετε και να εργάζεστε με το ηλεκτρικό εργαλείο με περίσκεψη.** Μην χρησιμοποιείτε ηλεκτρικά εργαλεία, όταν είσατε κουρασμένοι ή όταν βρίσκαστε υπό την επήρεια ναρκωτικών ουσιών, οινόπνεύματος ή φαρμάκων. Μία στιγμή απροσεξίας κατά τη χρήση του ηλεκτρικού εργαλείου μπορεί να οδηγήσει σε σοβαρούς τραυματισμούς.
- ▶ **Φοράτε προσωπικό εξοπλισμό προστασίας και πάντα προστατευτικά γυαλιά.** Φορώντας προσωπικό εξοπλισμό προστασίας, όπως μάσκα προστασίας από τη σκόνη, αντιολισθητικά υποδήματα ασφαλείας, προστατευτικό κράνος ή ωτοασπίδες, ανάλογα με το είδος και τη χρήση του ηλεκτρικού εργαλείου, μειώνεται ο κίνδυνος τραυματισμών.
- ▶ **Αποφεύγετε την ακούσια άθση σε λειτουργία του εργαλείου. Βεβαιωθείτε ότι είναι απενεργοποιημένο το ηλεκτρικό εργαλείο, πριν το συνδέσετε στην παροχή ρεύματος και/ή πριν τοποθετήσετε την μπαταρία και πριν το μεταφέρετε.** Εάν μεταφέροντας το ηλεκτρικό εργαλείο έχετε το δάκτυλό σας στον διακόπτη ή συνδέσετε το εργαλείο στο ρεύμα ενώ ο διακόπτης είναι στο ΟΝ, μπορεί να προκληθούν ατυχήματα.



- ▶ **Απομακρύνετε τα εργαλεία ρύθμισης ή τα κλειδιά από το ηλεκτρικό εργαλείο, πριν το θέσετε σε λειτουργία.** Ένα εργαλείο ή κλειδί που βρίσκεται σε κάποιο περιστρεφόμενο εξάρτημα του ηλεκτρικού εργαλείου, μπορεί να προκαλέσει τραυματισμούς.
- ▶ **Αποφύγετε τις αφύσικες στάσεις του σώματος.** Φροντίστε για την ασφαλή στήριξη του σώματός σας και διατηρείτε πάντα την ισορροπία σας. Έτσι μπορείτε να ελέγχετε καλύτερα το ηλεκτρικό εργαλείο σε μη αναμενόμενες καταστάσεις.
- ▶ **Φοράτε κατάλληλα ρούχα. Μη φοράτε φαρδιά ρούχα ή κοσμήματα. Κρατάτε τα μαλλιά, τα ρούχα και τα γάντια μακριά από περιστρεφόμενα εξαρτήματα.** Τα φαρδιά ρούχα, τα κοσμήματα ή τα μακριά μαλλιά μπορεί να παγιδευτούν από περιστρεφόμενα εξαρτήματα.
- ▶ **Εάν υπάρχει η δυνατότητα σύνδεσης συστημάτων αναρρόφησης και συλλογής σκόνης, βεβαιωθείτε ότι είναι συνδεδεμένα και ότι χρησιμοποιούνται σωστά.** Η χρήση συστήματος αναρρόφησης σκόνης μπορεί να μειώσει τους κινδύνους που προέρχονται από τη σκόνη.
- ▶ **Μην εκτιμάτε λάθος την ασφάλεια και μην παραβλέπετε τους κανόνες ασφαλείας για ηλεκτρικά εργαλεία, ακόμη και όταν, μετά από πολλές χρήσεις, έχετε εξοικειωθεί με το ηλεκτρικό εργαλείο.** Από απρόσδεκτες ενέργειες μπορούν να προκληθούν σοβαροί τραυματισμοί εντός κλάσματος δευτερολέπτου.

Χρήση και αντιμετώπιση του ηλεκτρικού εργαλείου

- ▶ **Μην υπερφορτίζετε το εργαλείο. Χρησιμοποιείτε για την εργασία σας το ηλεκτρικό εργαλείο που προορίζεται για αυτήν.** Με το κατάλληλο ηλεκτρικό εργαλείο εργάζεστε καλύτερα και με μεγαλύτερη ασφαλεία στην αναφερόμενη περιοχή ισχύος.
- ▶ **Μην χρησιμοποιείτε ποτέ ένα ηλεκτρικό εργαλείο, ο διακόπτης του οποίου είναι χαλασμένος.** Ένα ηλεκτρικό εργαλείο το οποίο δεν μπορεί να τεθεί πλέον σε λειτουργία ή εκτός λειτουργίας είναι επικίνδυνο και πρέπει να επισκευαστεί.
- ▶ **Αποσυνδέστε το φιν από την πρίζα και/ή απομακρύνετε μια αποσπώμενη μπαταρία πριν διεξάγετε ρυθμίσεις στο εργαλείο, αντικαταστήσετε κάποιο αξεσουάρ ή αποθηκεύσετε το εργαλείο.** Αυτό το προληπτικό μέτρο ασφαλείας αποτρέπει την ακούσια εκκίνηση του ηλεκτρικού εργαλείου.
- ▶ **Φυλάξτε τα ηλεκτρικά εργαλεία που δεν χρησιμοποιείτε μακριά από παιδιά. Μη αφήνετε να χρησιμοποιήσουν το εργαλείο άτομα που δεν είναι εξοικειωμένα με αυτό ή που δεν έχουν διαβάσει αυτές τις οδηγίες χρήσης.** Τα ηλεκτρικά εργαλεία είναι επικίνδυνα, όταν χρησιμοποιούνται από άπειρα πρόσωπα.
- ▶ **Φροντίζετε σχολαστικά τα ηλεκτρικά εργαλεία και τα αξεσουάρ. Ελέγχετε, εάν τα κινούμενα μέρη λειτουργούν άψογα και δεν μπλοκάρουν, εάν έχουν σπάσει κάποια εξαρτήματα ή έχουν υποστεί τέτοια ζημιά ώστε να επηρεάζεται αρνητικά η λειτουργία του ηλεκτρικού εργαλείου. Δώστε τα χαλασμένα εξαρτήματα για επισκευή πριν χρησιμοποιήσετε ξανά το εργαλείο.** Πολλά ατυχήματα οφείλονται σε κακά συντηρημένα ηλεκτρικά εργαλεία.
- ▶ **Διατηρείτε τα εξαρτήματα κοπής αιχμηρά και καθαρά.** Τα σχολαστικά συντηρημένα εξαρτήματα κοπής με αιχμηρές ακμές κολλάνε σπανιότερα και καθοδηγούνται με μεγαλύτερη ευκολία.
- ▶ **Χρησιμοποιείτε το ηλεκτρικό εργαλείο, τα αξεσουάρ, τα εργαλεία ρύθμισης κτλ. σύμφωνα με τις παρούσες οδηγίες. Λαμβάνετε ταυτόχρονα υπόψη τις συνθήκες εργασίας και την προς εκτέλεση εργασία.** Η χρήση ηλεκτρικών εργαλείων για εργασίες διαφορετικές από τις προβλεπόμενες μπορεί να οδηγήσει σε επικίνδυνες καταστάσεις.
- ▶ **Διατηρείτε τις λαβές και επιφάνειες συγκράτησης στεγνές, καθαρές και απαλλαγμένες από λάδια και γράσα.** Οι ολισθηρές λαβές και επιφάνειες συγκράτησης δεν επιτρέπουν ασφαλή χειρισμό και έλεγχο του ηλεκτρικού εργαλείου σε απρόβλεπτες καταστάσεις.

Σέρβις

- ▶ **Αναθέτετε την επισκευή του ηλεκτρικού εργαλείου μόνο σε κατάλληλο εξειδικευμένο προσωπικό με χρήση μόνο γνήσιων ανταλλακτικών.** Με αυτόν τον τρόπο διασφαλίζεται ότι θα διατηρηθεί η ασφάλεια του ηλεκτρικού εργαλείου.

2.2 Υποδείξεις για την ασφάλεια για πριόνια με κινούμενη πριονόλαμα

- ▶ **Κρατάτε το ηλεκτρικό εργαλείο από τις μονωμένες επιφάνειες συγκράτησης, όταν εκτελείτε εργασίες κατά τις οποίες το εξάρτημα που χρησιμοποιείτε ενδέχεται να έρθει σε επαφή με καλυμμένα ηλεκτρικά καλώδια ή με το δικό του καλώδιο σύνδεσης.** Η επαφή με καλώδιο που βρίσκεται υπό τάση μπορεί να θέσει υπό τάση ακόμη και τα μεταλλικά μέρη του εργαλείου και να προκαλέσει ηλεκτροπληξία.
- ▶ **Στερεώστε και ασφαλίστε το εξάρτημα με μέγνες ή με άλλο τρόπο σε ένα σταθερό υπόστρωμα.** Εάν κρατάτε το αντικείμενο μόνο με το χέρι ή κόντρα στο σώμα σας, παραμένει ασταθές, γεγονός που μπορεί να προκαλέσει απώλεια του ελέγχου.



2.3 Πρόσθετες υποδείξεις για την ασφάλεια

Ασφάλεια προσώπων

- ▶ Χρησιμοποιείτε το εργαλείο μόνο σε τεχνικά άψογη κατάσταση.
- ▶ Μην πραγματοποιείτε ποτέ παραποιήσεις ή μετατροπές στο εργαλείο.
- ▶ Κρατάτε το εργαλείο πάντα και με τα δύο χέρια από τις προβλεπόμενες χειρολαβές. Διατηρείτε τις χειρολαβές στεγνές και καθαρές.
- ▶ Φοράτε κατά τη χρήση του εργαλείου κατάλληλα προστατευτικά γυαλιά, ωτοασπίδες και προστατευτικά γάντια.
- ▶ Φοράτε προστατευτικά γάντια κατά την αντικατάσταση του εξάρτηματος. Η επαφή με το εξάρτημα μπορεί να προκαλέσει τραυματισμό από κοπή και εγκαύματα.
- ▶ Χρησιμοποιείτε προστατευτικά γυαλιά. Τα θραύσματα του υλικού μπορεί να προκαλέσουν τραυματισμούς στο σώμα και στα μάτια.
- ▶ Βεβαιωθείτε πριν την έναρξη της εργασίας για την κατηγορία κινδύνου της σκόνης που δημιουργείται κατά την εργασία. Χρησιμοποιήστε επαγγελματική ηλεκτρική σκούπα με επίσημα εγκεκριμένη κατηγοριοποίηση προστασίας, που να ανταποκρίνεται στους τοπικούς κανονισμούς προστασίας από τη σκόνη.
- ▶ Φροντίστε για καλό αερισμό του χώρου εργασίας και φοράτε ενδεχομένως μάσκα προστασίας της αναπνοής, η οποία να είναι κατάλληλη για την εκάστοτε σκόνη. Η επαφή ή η εισπνοή σκόνης μπορεί να προκαλέσει αλλεργικές αντιδράσεις και/ή παθήσεις του αναπνευστικού συστήματος του χρήστη ή ατόμων που βρίσκονται κοντά. Συγκεκριμένα είδη σκόνης, όπως για παράδειγμα η σκόνη από δρυ ή οξιά θεωρούνται ως καρκινογόνα, ιδίως σε συνδυασμό με πρόσθετες ουσίες επεξεργασίας ξύλου (χρωματίζα, υλικά προστασίας ξυλείας). Η εργασία με υλικά με αμίαντο επιτρέπεται μόνο από εξειδικευμένο προσωπικό.
- ▶ Κάνετε διαλείμματα από την εργασία καθώς και ασκήσεις για καλύτερη αιμάτωση των δακτύλων σας. Σε παρατεταμένη εργασία ενδέχεται να προκληθούν από κραδασμούς προβλήματα σε αιμοφόρα αγγεία ή στο νευρικό σύστημα στα δάχτυλα, στα χέρια ή στις αρθρώσεις των χεριών.

Ηλεκτρική ασφάλεια

- ▶ Ελέγξτε την περιοχή εργασίας πριν από την έναρξη της εργασίας για καλυμμένα ηλεκτρικά καλώδια, σωληνές αερίου και ύδρευσης. Από εξωτερικά μεταλλικά μέρη στο εργαλείο μπορεί να προκληθεί ηλεκτροπληξία, εάν π.χ. κατά λάθος προκαλέσετε ζημιά σε ένα ηλεκτρικό καλώδιο.

Επιμελής χειρισμός και χρήση ηλεκτρικών εργαλείων

- ▶ Ασφαλίστε το προς επεξεργασία αντικείμενο. Ένα αντικείμενο που είναι στερεωμένο με διατάξεις σύσφιξης ή μέγγενη συγκρατείται με μεγαλύτερη ασφάλεια από ό,τι μόνο με το χέρι.

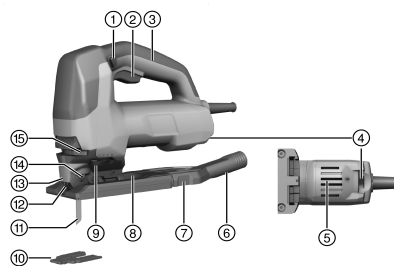
Ειδικές υποδείξεις για την ασφάλεια για σέγες

- ▶ Καθοδηγείτε κατά την κοπή το προϊόν πάντα μακριά από σώμα σας.
- ▶ Ποτέ μην τοποθετείτε τα χέρια σας μπροστά ή κοντά στην πριονόλαμα.
- ▶ Μην κόβετε σε άγνωστα υποστρώματα και διατηρείτε απαλλαγμένο από εμπόδια το σημείο κοπής επάνω και κάτω.
- ▶ Μην βάζετε τα χέρια σας κάτω από το αντικείμενο κατά την κοπή.



3 Περιγραφή

3.1 Συνοπτική παρουσίαση προϊόντος 1



- ① Κουμπί μανδάλωσης
- ② Διακόπτης on/off
- ③ Χειρολαβή
- ④ Περιστροφικός διακόπτης για ρυθμίσεις αριθμού εμβολισμών
- ⑤ Σχιμές αερισμού
- ⑥ Προσαρμογέας αναρρόφησης
- ⑦ Άγκιστρο ασφάλισης
- ⑧ Πέλαμα βάσης
- ⑨ Μοχλός για ρύθμιση παλινδρόμησης
- ⑩ Προστατευτικό απόσχισης σκλήθρων
- ⑪ Πριονόλαμα
- ⑫ Προστατευτικό επαφής
- ⑬ Κάλυμμα
- ⑭ Τσοκ
- ⑮ Μοχλός για απασφάλιση πριονόλαμας

3.2 Κατάλληλη χρήση

Το προϊόν που περιγράφεται είναι μια καθοδηγούμενη με το χέρι ηλεκτρική σέγα. Προορίζεται για την κοπή πλαστικών, ξύλων, μετάλλων καθώς και γυφτοσανίδων και ινοσανίδων.

Το προϊόν εφοδιάζεται με ένα αποσπώμενο στόμιο σύνδεσης για προαιρετική ηλεκτρική σκούπα, που είναι σχεδιασμένο για τους συνήθεις σωλήνες ηλεκτρικής σκούπας. Για τη σύνδεση του εύκαμπτου σωλήνα αναρρόφησης με το προϊόν, ενδέχεται να είναι απαραίτητος ένας κατάλληλος αντάπτορας.

Επιτρέπεται να λειτουργεί μόνο με την ονομαστική τάση και συχνότητα τροφοδοσίας που αναφέρεται στην πινακίδα τύπου.

- ▶ Χρησιμοποιείτε για αυτό το προϊόν μόνο πριονόλαμες με απόληξη T (απόληξη μονού εκκέντρου).

3.3 Πιθανή λανθασμένη χρήση

- Δεν επιτρέπεται να χρησιμοποιείτε το προϊόν για το κόψιμο κλαδιών και κορμών δένδρων.
- Δεν επιτρέπεται να χρησιμοποιείτε το προϊόν για την κατεργασία υλικών επικίνδυνων για την υγεία.
- Δεν επιτρέπεται να χρησιμοποιείτε το προϊόν για εργασίες σε υγρό περιβάλλον.

3.4 Σύστημα εξαγωγής ρινισμάτων με φύσημα

Το σύστημα εξαγωγής ρινισμάτων με φύσημα κατευθύνει ένα ρεύμα αέρα προς την πριονόλαμα, για να διατηρείται ελεύθερη η γραμμή κοπής από ρινίσματα.

3.5 Αριθμός εμβολισμών

Ο αριθμός εμβολισμών μπορεί να ρυθμιστεί με τον περιστροφικό διακόπτη. Η θέση 1 αντιστοιχεί σε 800 εμβολισμούς ανά λεπτό και η θέση 6 σε 3000 εμβολισμούς ανά λεπτό.

Ανάλογα με τη δύναμη με την οποία πιέζετε τον διακόπτη on/off, αρχίζει η ταχύτητα εμβολισμού με 75 εμβολισμούς ανά λεπτό και αυξάνεται μέχρι τους καθορισμένους εμβολισμούς, που είναι ρυθμισμένοι με τον περιστροφικό διακόπτη.

3.6 Παλινδρόμηση 4 επιπέδων

Με την παλινδρόμηση 4 επιπέδων, υπάρχει η δυνατότητα προσαρμογής της απόδοσης κοπής και της εμφάνισης στο υλικό που υποβάλλεται σε επεξεργασία. Με τον μοχλό για τη ρύθμιση της παλινδρόμησης υπάρχει η δυνατότητα εναλλαγής των 4 επιπέδων.

Όσο πιο καθαρή και λεπτομερής θέλετε να γίνει η ακμή κοπής, τόσο μικρότερο επίπεδο παλινδρόμησης πρέπει να επιλέγετε. Με δοκιμές στην πράξη μπορείτε να βρείτε την ιδανική ρύθμιση.



Κατάσταση	Σημασία
Επίπεδο 0	χωρίς παλινδρόμηση
Επίπεδο 1	μικρή παλινδρόμηση
Επίπεδο 2	μεσαία παλινδρόμηση
Επίπεδο 3	Μεγάλη παλινδρόμηση

3.7 Κουμπί ασφάλισης 2

Το κουμπί ασφάλισης μπορεί να τοποθετηθεί σε τρεις θέσεις.

1. Η μεσαία θέση είναι η κανονική θέση: Το κουμπί ασφάλισης είναι ορατό αριστερά και δεξιά. Μπορείτε π.χ. να προσαρμόσετε τον αριθμό εμβολισμών.
Μπορείτε να πατήσετε ή να αφήσετε ελεύθερο τον διακόπτη on/off.
2. Το κουμπί ασφάλισης είναι ορατό μόνο αριστερά: Θέση μεταφοράς (Το εργαλείο δεν μπορεί να θεθεί σε λειτουργία).
Ο διακόπτης on/off είναι κλειδωμένος, δεν μπορείτε να τον πατήσετε.
3. Το κουμπί ασφάλισης είναι ορατό μόνο δεξιά: Αφού ενεργοποιηθεί το εργαλείο (ο διακόπτης on/off είναι τελείως πατημένος), μπορείτε να πιέσετε το κουμπί ασφάλισης προς τα δεξιά, για να ασφαλίσετε τη θέση "On". Για απασφάλιση, πρέπει να πατήσετε ξανά τον διακόπτη on/off.

3.8 Προστατευτικό απόσχισης σκλήθρων

Το προϊόν μπορεί να είναι εξοπλισμένο με ένα προστατευτικό απόσχισης σκλήθρων.

Με το προστατευτικό απόσχισης σκλήθρων αποτρέπεται η απόσχιση της επιφάνειας υλικών ξύλου κατά την κοπή.

3.9 Έκταση παράδοσης

Παλμική σέγα, κάλυμμα, προσαρμογέας αναρρόφησης, προστατευτικό απόσχισης σκλήθρων, οδηγίες χρήσης, κλειδί άλεν.

Περισσότερα, εγκεκριμένα για το προϊόν σας συστήματα θα βρείτε στο **Hilti Center** ή online στη διεύθυνση: www.hilti.com

4 Τεχνικά χαρακτηριστικά

4.1 Παλμική σέγα

i Σε περίπτωση λειτουργίας σε γεννήτρια ή μετασχηματιστή, πρέπει η ισχύς να είναι τουλάχιστον διπλάσια από την αναφερόμενη στην πινακίδα τύπου του εργαλείου ονομαστική κατανάλωση. Η τάση λειτουργίας του μετασχηματιστή ή της γεννήτριας πρέπει να βρίσκεται ανά πάσα στιγμή εντός του +5 % και -15 % της ονομαστικής τάσης του εργαλείου.

Τα στοιχεία ισχύουν για ονομαστικό ρεύμα 230 V. Σε περίπτωση διαφορετικών τάσεων και εκδόσεων για συγκεκριμένες χώρες ενδέχεται να διαφέρουν τα στοιχεία. Για την ονομαστική τάση και τη συχνότητα καθώς και την ονομαστική κατανάλωση ρεύματος ή/και την ονομαστική ένταση συμβουλευτείτε την πινακίδα τύπου.

	SJD 6
Ονομαστική κατανάλωση	850 W
Βάρος σύμφωνα με EPTA-Procedure 01	2,4 kg
Αριθμός εμβολισμών χωρίς φορτίο	80/min ... 3.000/min
Ύψος εμβολισμού	28 mm
Μέγιστη απόδοση κοπής σε ξύλο	150 mm
Μέγιστη απόδοση κοπής σε αλουμίνιο	25 mm
Μέγιστη απόδοση κοπής σε μη κραματοποιημένο χάλυβα	10 mm
Γωνία κοπής (αριστερά/δεξιά)	0°, 15°, 30°, 45°
Εξωτερική διάμετρος προσαρμογέα αναρρόφησης	27,5 mm



4.2 Πληροφορίες θορύβου και τιμές κραδασμών κατά EN 62841

Οι αναφερόμενες στις παρούσες οδηγίες τιμές ηχητικής πίεσης και κραδασμών έχουν μετρηθεί σύμφωνα με μια τυποποιημένη μέθοδο μέτρησης και μπορούν να χρησιμοποιηθούν για τη σύγκριση μεταξύ ηλεκτρικών εργαλείων. Είναι επίσης κατάλληλες για πρόχειρη εκτίμηση των εκθέσεων.

Τα αναφερόμενα στοιχεία αντιπροσωπεύουν τις κύριες εφαρμογές του ηλεκτρικού εργαλείου. Εάν ωστόσο το ηλεκτρικό εργαλείο χρησιμοποιηθεί σε άλλες εφαρμογές, με διαφορετικά εξαρτήματα ή με ελλιπή συντήρηση, ενδέχεται να διαφέρουν τα στοιχεία. Το γεγονός αυτό μπορεί να αυξήσει σημαντικά τις εκθέσεις σε όλη τη διάρκεια του χρόνου εργασίας.

Για μια ακριβής εκτίμηση της έκθεσης θα πρέπει να συνυπολογίζονται και οι χρόνοι, στους οποίους είναι απενεργοποιημένο το εργαλείο ή λειτουργεί μεν, αλλά δεν χρησιμοποιείται πραγματικά. Το γεγονός αυτό μπορεί να μειώσει σημαντικά τις εκθέσεις σε όλη τη διάρκεια του χρόνου εργασίας.

Καθορίστε πρόσθετα μέτρα ασφαλείας για την προστασία του χρήστη από την επίδραση του θορύβου και/ή των κραδασμών, όπως για παράδειγμα: Συντήρηση ηλεκτρικού εργαλείου και εξαρτημάτων, διατήρηση χεριών σε κανονική θερμοκρασία, οργάνωση των σταδίων εργασίας.

Τιμές εκπομπής θορύβου

	SJD 6
Επίπεδο στάθμης ήχου (L_{WA})	100,5 dB(A)
Ανακρίβεια επιπέδου στάθμης ήχου (K_{WA})	5 dB(A)
Στάθμη θορύβου (L_{pA})	89,5 dB(A)
Ανακρίβεια επιπέδου ηχητικής πίεσης (K_{pA})	5 dB(A)

Συνολικές τιμές κραδασμών

	SJD 6
Τιμή κραδασμών για κοπή ξύλινων σανίδων ($a_{n,B}$)	9,7 m/s ²
Τιμή κραδασμών για κοπή μεταλλικών λαμαρινών ($a_{n,M}$)	8,0 m/s ²
Ανακρίβεια (K)	1,5 m/s ²

5 Χρήση μπαλαντζέας



ΠΡΟΕΙΔΟΠΟΙΗΣΗ

Κίνδυνος από καλώδια που έχουν υποστεί ζημιά! Εάν κατά την εργασία υποστεί ζημιά το καλώδιο τροφοδοσίας ή η μπαλαντζέα, δεν επιτρέπεται να ακουμπήσετε το καλώδιο. Αποσυνδέστε το φως από την πρίζα.

- ▶ Ελέγχετε τακτικά το καλώδιο σύνδεσης του εργαλείου και, σε περίπτωση ζημιάς, αναθέστε την αντικατάστασή του σε έναν αναγνωρισμένο ειδικό.
- Χρησιμοποιείτε μόνο μπαλαντζέες εγκεκριμένες για την εφαρμογή με επαρκή διατομή αγωγού. Διαφορετικά μπορεί να παρουσιαστεί απώλεια ισχύος στο εργαλείο και υπερθέρμανση του καλωδίου.
- Ελέγχετε τακτικά τις μπαλαντζέες για τυχόν ζημιές.
- Αντικαταστήστε τις μπαλαντζέες που έχουν υποστεί ζημιά.
- Σε υπαίθριους χώρους χρησιμοποιείτε μόνο μπαλαντζέες εγκεκριμένες για αυτό το σκοπό και με ανάλογη σήμανση.



Στο τέλος αυτής της τεκμηρίωσης θα βρείτε ως κώδικα QR τις προτεινόμενες ελάχιστες διατομές και τα μέγιστα μήκη καλωδίων.

6 Προετοιμασία εργασίας



ΠΡΟΣΟΧΗ

Κίνδυνος τραυματισμού! Ακούσια εκκίνηση του προϊόντος.

- ▶ Αποσυνδέστε το φως τροφοδοσίας, πριν πραγματοποιηίσετε ρυθμίσεις στο εργαλείο ή αντικαταστήσετε αξεσουάρ.

Προσέξτε τις υποδείξεις ασφαλείας και προειδοποίησης στην παρούσα τεκμηρίωση και στο προϊόν.



6.1 Τοποθέτηση πριονόλαμας 3

1. Αποσυνδέστε το φως από την πρίζα.
2. Πιέστε την πριονόλαμα (δόντια προς την κατεύθυνση κοπής) στο τσακ μέχρι να κουμπώσει.
3. Ελέγξτε εάν έχει ασφαλίσει σωστά η πριονόλαμα, τραβώντας την.

6.2 Τοποθέτηση καλύμματος 4

- ▶ Ωθήστε το κάλυμμα από μπροστά στο προϊόν, μέχρι να κουμπώσει.


6.3 Τοποθέτηση προσαρμογέα αναρρόφησης 5

1. Ωθήστε τον προσαρμογέα αναρρόφησης από πίσω οριζόντια στο πέλμα βάσης, μέχρι να κουμπώσουν στο πλάι τα δύο άγκιστρα ασφαλίσης.
2. Συνδέστε τον εύκαμπτο σωλήνα της ηλεκτρικής σκούπας στον προσαρμογέα αναρρόφησης.

6.4 Ρύθμιση παλινδρόμησης 6

1. Για τη σωστή ρύθμιση παλινδρόμησης συμβουλευτείτε τις απαιτήσεις της εκάστοτε πριονόλαμας.
2. Τοποθετήστε τον μοχλό για τη ρύθμιση της παλινδρόμησης σε ένα από τα τέσσερα επίπεδα → σελίδα 95.

6.5 Ρύθμιση αριθμού εμβολισμών 7


 Για τη σωστή ρύθμιση, συμβουλευτείτε τις εκάστοτε απαιτήσεις της πριονόλαμας.

- ▶ Ρυθμίστε με τον περιστροφικό διακόπτη τον εμβολισμό μεταξύ 1 (μικρός) και 6 (μεγάλος).

6.6 Ρύθμιση γωνίας κοπής 8

1. Αφαιρέστε τον προσαρμογέα αναρρόφησης. → σελίδα 99
2. Μετακινήστε τον μοχλό σύσφιξης κατά 90° προς τα πίσω.
3. Ρυθμίστε την επιθυμητή γωνία κοπής (0°, 15°, 30° ή 45°).
4. Μετακινήστε τον μοχλό σύσφιξης κατά 90° προς τα εμπρός.
 - ▶ Το πέλμα βάσης είναι στερεωμένο.
5. Τοποθετήστε τον προσαρμογέα αναρρόφησης. → σελίδα 98

6.7 Τοποθέτηση προστατευτικού απόσχισης σκλήθρων 9

 Το προστατευτικό απόσχισης σκλήθρων μπορεί να χρησιμοποιηθεί μόνο με προβλεπόμενες για τον σκοπό αυτό πριονόλαμες.

1. Αποσυνδέστε το φως από την πρίζα.
2. Πιέστε το προστατευτικό απόσχισης σκλήθρων από κάτω στο πέλμα βάσης.

7 Εργασία** ΠΡΟΕΙΔΟΠΟΙΗΣΗ**

Κίνδυνος από καλώδια που έχουν υποστεί ζημιά! Εάν κατά την εργασία υποστεί ζημιά το καλώδιο τροφοδοσίας ή η μπαλαντέζα, αποσυνδέστε αμέσως το εργαλείο και το καλώδιο από το ηλεκτρικό δίκτυο. Μην ακουμπάτε το ελαττωματικό σημείο!

- ▶ Ελέγχετε τακτικά όλα τα καλώδια σύνδεσης. Αντικαταστήστε τις ελαττωματικές μπαλαντέζες. Αναθέστε σε αναγνωρισμένο ειδικό την αντικατάσταση των καλωδίων τροφοδοσίας που έχουν υποστεί ζημιά.

Κατά κανόνα προτείνεται η χρήση ενός αυτόματου (RCD) με μέγιστο ρεύμα ενεργοποίησης 30 mA.



7.1 Αναρρόφηση σκόνης



Η αναρρόφηση σκόνης μειώνει την επιβάρυνση από τη σκόνη, αυξάνει την ασφάλεια κατά την εργασία λόγω καλύτερης ορατότητας στην τομή και εμποδίζει μεγάλες επιβαρύνσεις του χώρου εργασίας από τη σκόνη και τα ρινίσματα.

1. Τοποθετήστε το κάλυμμα. → σελίδα 98
2. Συνδέστε τον προσαρμογέα αναρρόφησης και το σύστημα αναρρόφησης, όταν πρόκειται να κόψετε για μεγάλο χρονικό διάστημα ξύλο ή υλικά, καθώς κατά τη διαδικασία αυτή ενδέχεται να δημιουργηθούν μεγάλες συγκεντρώσεις σκόνης.

7.2 Ενεργοποίηση 10

1. Πατήστε το διακόπτη on/off.
2. Για την ασφάλιση του διακόπτη, πιέστε στη συνέχεια το κουμπί ασφάλισης.
3. Για απασφάλιση, πατήστε ξανά τον διακόπτη on/off.

7.3 Κοπή με βύθιση

1. Γυρίστε το μοχλό για τη ρύθμιση της παλινδρόμησης στη θέση 0.
2. Εφαρμόστε το προϊόν με την μπροστινή ακμή του πέλματος βάσης στο προς επεξεργασία αντικείμενο.
3. Συγκρατήστε το προϊόν και πατήστε τον διακόπτη on/off.
4. Πιέστε το προϊόν δυνατά κόντρα στο αντικείμενο και βυθίστε το μειώνοντας τη γωνία εφαρμογής.
5. Αφού τρυπήσετε το αντικείμενο, φέρτε το προϊόν στην κανονική θέση εργασίας.
 - ▶ Το πέγμα βάσης εφαρμόζει σε ολόκληρη την επιφάνεια.
6. Συνεχίστε να κόβετε κατά μήκος της γραμμής κοπής.

7.4 Απενεργοποίηση

- ▶ Αφήστε ελεύθερο το διακόπτη on/off.

8 Αφαίρεση



ΠΡΟΣΟΧΗ

Κίνδυνος τραυματισμού! Ακούσια εκκίνηση του προϊόντος.

- ▶ Αποσυνδέστε το φιλτράρισμα, πριν πραγματοποιήσετε ρυθμίσεις στο εργαλείο ή αντικαταστήσετε αξεσουάρ.

Προσέξτε τις υποδείξεις ασφαλείας και προειδοποίησης στην παρούσα τεκμηρίωση και στο προϊόν.

8.1 Αφαίρεση προσαρμογέα αναρρόφησης 11

1. Πιέστε τα δύο άγκιστρα ασφάλισης προς τα μέσα.
2. Αφαιρέστε τον προσαρμογέα αναρρόφησης από το πέγμα βάσης τραβώντας τον προς τα πίσω.
3. Αποσυνδέστε τον εύκαμπο σωλήνα της ηλεκτρικής σκούπας από τον προσαρμογέα αναρρόφησης.

8.2 Αφαίρεση καλύμματος 12

- ▶ Λυγίστε ελαφρά το κάλυμμα και αφαιρέστε το τραβώντας το προς τα μπροστά.

8.3 Αφαίρεση πριονόλαμας 13



ΠΡΟΕΙΔΟΠΟΙΗΣΗ

Κίνδυνος τραυματισμού. Η ανεξέλεγκτη αφαίρεση της πριονόλαμας μπορεί να προκαλέσει τραυματισμούς.

- ▶ Κρατάτε το προϊόν κατά την εξαγωγή της πριονόλαμας έτσι ώστε να μην τραυματιστούν πρόσωπα ή ζώα από την εξαγωγή της πριονόλαμας.

1. Αποσυνδέστε το φιλτράρισμα από την πρίζα.
2. Πιέστε προς το πλάι μέχρι να τερματίσει το μοχλό για την απασφάλιση της πριονόλαμας.
 - ▶ Η πριονόλαμα αποσυνδέεται και εξέρχεται.



9 Φροντίδα και συντήρηση

ΠΡΟΕΙΔΟΠΟΙΗΣΗ

Κίνδυνος από ηλεκτροπληξία! Η φροντίδα και η συντήρηση με συνδεδεμένο το φις τροφοδοσίας ενδέχεται να προκαλέσει σοβαρούς τραυματισμούς και εγκαύματα.

► Πριν από κάθε εργασία φροντίδας και συντήρησης αποσυνδέετε πάντα το φις τροφοδοσίας!

Φροντίδα

- Απομακρύνετε προσεκτικά τους ρύπους που έχουν επικαθίσει.
- Καθαρίστε τις σχισμές αερισμού προσεκτικά με μια στεγνή βούρτσα.
- Καθαρίζετε το περίβλημα μόνο με ένα ελαφρώς βρεγμένο πανί. Μην χρησιμοποιείτε υλικά φροντίδας με περιεκτικότητα σε σιλικόνη, διότι ενδέχεται να προσβάλλουν τα πλαστικά μέρη.

Συντήρηση

ΠΡΟΕΙΔΟΠΟΙΗΣΗ

Κίνδυνος από ηλεκτροπληξία! Οι ακατάλληλες επισκευές σε ηλεκτρικά εξαρτήματα ενδέχεται να προκαλέσουν σοβαρούς τραυματισμούς και εγκαύματα.

► Επισκευές σε ηλεκτρικά μέρη επιτρέπεται να διενεργούνται μόνο από εξειδικευμένο ηλεκτρολόγο.

- Ελέγχετε τακτικά όλα τα ορατά μέρη για τυχόν ζημιές και τα στοιχειά χειρισμού ως προς την απρόσκοπτη λειτουργία.
- Σε περίπτωση ζημιών ή/και δυσλειτουργιών, μην χρησιμοποιείται το προϊόν. Αναθέστε αμέσως την επισκευή στο σέρβις της **Hilti**.
- Μετά από εργασίες φροντίδας και συντήρησης, τοποθετήστε όλα τα συστήματα προστασίας και ελέγξτε τη λειτουργία τους.



Για μια ασφαλή λειτουργία χρησιμοποιείτε μόνο γνήσια ανταλλακτικά και αναλώσιμα. Εγκεκριμένα από εμάς ανταλλακτικά, αναλώσιμα και αξεσουάρ για το προϊόν σας θα βρείτε στο πλησιέστερο **Hilti Store** ή στη διεύθυνση: www.hilti.group.

9.1 Καθαρισμός προσαρμογέα αναρρόφησης

1. Αποσυνδέστε το φις από την πρίζα.
2. Αφαιρέστε τον εύκαμπο σωλήνα της ηλεκτρικής σκούπας από τον προσαρμογέα αναρρόφησης.
3. Αφαιρέστε τον προσαρμογέα αναρρόφησης. → σελίδα 99
4. Καθαρίστε τον προσαρμογέα αναρρόφησης.
5. Ελέγξτε ότι είναι άθικτα τα άγκιστρα ασφάλισης.
6. Τοποθετήστε τον προσαρμογέα αναρρόφησης. → σελίδα 98

9.2 Καθαρισμός πριονόλαμων

1. Απορητίνωνετε τακτικά τις χρησιμοποιημένες πριονόλαμες.
2. Τοποθετήστε τις πριονόλαμες 24 ώρες σε πετρέλαιο ή προϊόν απορητίνωσης του εμπορίου.

10 Μεταφορά και αποθήκευση

Μεταφορά

- Μην μεταφέρετε αυτό το προϊόν με το εξάρτημα τοποθετημένο.
- Φροντίστε για καλή συγκράτηση κατά τη μεταφορά.
- Ελέγχετε μετά από κάθε μεταφορά όλα τα ορατά μέρη για τυχόν ζημιές και την απρόσκοπτη λειτουργία όλων των χειριστηρίων.

Αποθήκευση

- Αποθηκεύετε αυτό το προϊόν πάντα με αποσυνδεδεμένο το καλώδιο τροφοδοσίας.
- Αποθηκεύετε αυτό το προϊόν σε στεγνό χώρο και σε σημείο στο οποίο δεν έχουν πρόσβαση παιδιά και αναρμόδια άτομα.
- Ελέγχετε μετά από παρατεταμένη αποθήκευση όλα τα ορατά μέρη για τυχόν ζημιές και την απρόσκοπτη λειτουργία όλων των χειριστηρίων.



11 Βοήθεια για προβλήματα

Σε βλάβες που δεν αναφέρονται σε αυτόν τον πίνακα ή δεν μπορείτε να αποκαταστήσετε μόνοι σας, απευθυνθείτε στο σέρβις της **Hilti**.

Βλάβη	Πιθανή αιτία	Λύση
Η πριονόλαμα πέφτει έξω.	Η πριονόλαμα δεν έχει ασφαλίσει σωστά.	<ul style="list-style-type: none"> ▶ Επαναλάβετε τη διαδικασία σύφιξης. ▶ Βεβαιωθείτε ότι το τσοκ να είναι τελείως ανοιχτό και ότι πιέζετε την πριονόλαμα κόντρα στην αντίσταση.
	Σύστημα σύφιξης λερωμένο.	▶ Καθαρίστε το τσοκ.
Αδυναμία εισαγωγής πριονόλαμας.	Σύστημα σύφιξης λερωμένο.	▶ Καθαρίστε το τσοκ.
Αδυναμία ρύθμισης παλινδρόμησης.	Εγκοπή του μοχλού παλινδρόμησης λερωμένη.	▶ Καθαρίστε την εγκοπή του μοχλού παλινδρόμησης από ακαθαρσίες.
Δεν λειτουργεί η παλινδρόμηση.	Μηχανισμός παλινδρόμησης λερωμένος.	▶ Ελέγξτε εάν υπάρχουν ακαθαρσίες στην περιοχή του δίχαλου παλινδρόμησης και αφαιρέστε τις.
	Ο μοχλός παλινδρόμησης βρίσκεται στη θέση "0".	▶ Ρυθμίστε την επιθυμητή τιμή.
Στο ηλεκτρικό εργαλείο αναπτύσσονται πολύ υψηλές θερμοκρασίες.	Ηλεκτρική βλάβη.	<ul style="list-style-type: none"> ▶ Απενεργοποιήστε αμέσως το εργαλείο και αποσυνδέστε το καλώδιο τροφοδοσίας. ▶ Αφήστε το εργαλείο να κρυώσει και απευθυνθείτε στο σέρβις της Hilti.

12 Διάθεση στα απορρίμματα

Τα εργαλεία της **Hilti** είναι κατασκευασμένα σε μεγάλο ποσοστό από ανακυκλώσιμα υλικά. Προϋπόθεση για την ανακύκλωσή τους είναι ο κατάλληλος διαχωρισμός των υλικών. Σε πολλές χώρες, η **Hilti** παραλαμβάνει το παλιό σας εργαλείο για ανακύκλωση. Ρωτήστε το σέρβις ή τον σύμβουλο πωλήσεων της **Hilti**.



- ▶ Μην πετάτε τα ηλεκτρικά εργαλεία, της ηλεκτρονικές συσκευές και τις επαναφορτιζόμενες μπαταρίες στον κόδο οικιακών απορριμμάτων!

13 RoHS (οδηγία για τον περιορισμό της χρήσης επικίνδυνων ουσιών)

Στους ακόλουθους συνδέσμους θα βρείτε τον πίνακα επικίνδυνων ουσιών: qr.hilti.com/r5212956
Έναν σύνδεσμο για τον πίνακα RoHS θα βρείτε στο τέλος αυτής της τεκμηρίωσης ως κωδικό QR.

14 Εγγύηση κατασκευαστή

- ▶ Για ερωτήσεις σχετικά με τους όρους εγγύησης απευθυνθείτε στον τοπικό συνεργάτη της **Hilti**.



Orijinal kullanım kılavuzu

1 Dokümantasyon verileri

1.1 Bu doküman için

- Çalıştırmadan önce bu dokümanı okuyunuz. Bu, güvenli çalışma ve arızasız kullanım için ön koşuldur.
- Bu dokümanda ve ürün üzerinde bulunan güvenlik ve uyarı bilgilerine dikkat ediniz.
- Kullanım kılavuzunu her zaman ürün üzerinde bulundurunuz ve ürünü sadece bu kılavuz ile birlikte başka kişilere veriniz.

1.2 Resim açıklaması

1.2.1 Uyarı bilgileri

Uyarı bilgileri, ürün ile çalışırken ortaya çıkabilecek tehlikelere karşı uyarır. Aşağıdaki uyarı metinleri kullanılır:

TEHLİKE

TEHLİKE !

- ▶ Ağır vücut yaralanmalarına veya doğrudan ölüme sebep olabilecek tehlikeler için.

İKAZ

İKAZ !

- ▶ Ağır yaralanmalara veya ölüme neden olabilecek tehlikeler için.


DİKKAT


DİKKAT !


- ▶ Hafif vücut yaralanmalarına veya maddi hasarlara yol açabilecek olası tehlikeli durumlar için.


1.2.2 Dokümandaki semboller

Bu dokümanda aşağıdaki semboller kullanılmıştır:

 Kullanmadan önce kullanım kılavuzunu okuyunuz

 Kullanım uyarıları ve diğer gerekli bilgiler


 Geri dönüşümlü malzemeler ile çalışma


 Elektrikli aletleri ve aküleri evdeki çöplere atmayınız


1.2.3 Resimlerdeki semboller

Resimlerde aşağıdaki semboller kullanılmıştır:

 2 Bu sayılar, kılavuzun başlangıcındaki ilgili resimlere atanmıştır

 3 Numaralandırma, resimdeki çalışma adımlarının sırasını göstermektedir ve metindeki çalışma adımlarından farklı olabilir

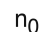
 11 Pozisyon numaraları **Genel bakış** resminde kullanılır ve **Ürüne genel bakış** bölümündeki açıklama numaralarına referans niteliğindedir

 Bu işaret, ürün ile çalışırken dikkatinizi çekmek için koyulmuştur.

1.3 Ürüne bağlı semboller

1.3.1 Üründeki semboller

Üründe aşağıdaki semboller kullanılmıştır:

 n₀ Yüksüz strok sayısı





Kablosuz veri aktarımı

1.4 Ürün bilgileri

HILTI ürünleri profesyonel kullanıcıların kullanımı için öngörülmüştür ve sadece yetkili personel tarafından kullanılabilir ve bakımı yapılabilir. Bu personel, meydana gelebilecek tehlikeler hakkında özel olarak eğitim görmüş olmalıdır. Aletin ve ilgili yardımcı gereçlerin eğitimsiz personel tarafından usulüne uygun olmayan şekilde kullanılması veya amaçları dışında çalıştırılması sonucu tehlikeli durumlar söz konusu olabilir. Tip tanımı ve seri numarası, tip plakası üzerinde belirtilmiştir.

- Seri numarasını aşağıdaki tabloya aktarınız. Ürüne yönelik sorularınız ile ilgili departmanımıza veya servis noktamıza başvuru yaptığınızda bu bilgileri belirtiniz.
- Seri numarasını aşağıdaki tabloya aktarınız. Ürüne yönelik sorularınız ile ilgili departmanımıza veya servis noktamıza başvuru yaptığınızda bu bilgileri belirtiniz.

Ürün bilgileri

Sarkaç hareketli dekupaj testeresi	SJD 6
Nesil	01
Seri no.	

1.5 Uygunluk beyanı

Burada tanımlanan ürünün, geçerli yönetmeliklere ve normlara uygun olduğunu kendi sorumluluğumuzda beyan ederiz. Bu dokümanın sonunda uygunluk beyanının bir kopyasını bulabilirsiniz.

Teknik dokümantasyonlar burada saklanır:

Hilti Entwicklungsgesellschaft mbH | Zulassung Geräte | Hiltstraße 6 | 86916 Kaufering, DE

2 Güvenlik

2.1 Elektrikli el aletleri için genel güvenlik uyarıları

⚠ İKAZ Bu elektrikli el aletine yönelik tüm güvenlik uyarılarını, talimatları, resimli açıklamaları ve teknik verileri dikkatlice okuyunuz. Aşağıdaki talimatlara uyulmaması durumunda elektrik çarpması, yangın ve/veya ağır yaralanmalar söz konusu olabilir.

Tüm güvenlik uyarılarını ve kullanım talimatlarını muhafaza ediniz.

Güvenlik uyarılarında kullanılan "Elektrikli el aleti terimi, şebeke işletimli elektrikli el aletleri (şebeke kablosu ile) veya akü işletimli elektrikli el aletleri (şebeke kablosu olmadan) ile ilgilidir.

İş yeri güvenliği

- **Çalışma alanınızı temiz ve aydınlık tutunuz.** Düzensiz veya aydınlatma olmayan çalışma alanları kazalara yol açabilir.
- **Yanıcı sıvıların, gazların veya tozların bulunduğu patlama tehlikesi olan yerlerde elektrikli el aleti ile çalışmayınız.** Elektrikli el aletleri, toz veya buharı yakabilecek kıvılcım oluşturur.
- **Elektrikli el aletini kullanırken çocukları ve diğer kişileri uzak tutunuz.** Dikkatiniz dağılırsa aletin kontrolünü kaybedebilirsiniz.

Elektrik güvenliği

- **Elektrikli el aletinin bağlantı fişi prize uygun olmalıdır. Fiş hiçbir şekilde değiştirilmemelidir. Adaptör fişini topraklama korumalı elektrikli el aletleri ile birlikte kullanmayınız.** Değiştirilmemiş fişler ve uygun prizler elektrik çarpması riskini azaltır.
- **Borular, radyatörler, fırınlar ve buzdolapları gibi toprağa temas eden üst yüzeylere vücudunuzla temas etmekten kaçınınız.** Vücudunuzun toprakla teması var ise yüksek bir elektrik çarpması riski söz konusudur.
- **Elektrikli el aletini yağmurdan veya ıslaklıktan uzak tutunuz.** Elektrikli el aletine su girmesi, elektrik çarpması riskini artırır.
- **Elektrikli el aletini taşımak, asmak veya fişi prizden çekmek için bağlantı kablosunu kullanım amacı dışında kullanmayınız. Bağlantı kablosunu sıcaktan, yağdan, keskin kenarlardan ve hareketli parçalardan uzak tutunuz.** Hasarlı veya dolanmış bağlantı kabloları elektrik çarpması riskini artırır.
- **Elektrikli bir el aleti ile açık alanda çalışacaksanız, sadece dışarıda kullanımına izin verilen uzatma kabloları kullanınız.** Dış mekanlar için uygun olan uzatma kablolarının kullanılması elektrik çarpması riskini azaltır.



2150158

Türkçe 103

- ▶ **Elektrikli el aleti işletiminin nemli ortamda yapılması kaçınılmaz ise bir kaçak akım koruma şalteri kullanınız.** Bir kaçak akım koruma şalterinin kullanımı elektrik çarpması riskini azaltır.

Kişilerin güvenliği

- ▶ **Dikkatli olunuz, ne yaptığınıza dikkat ediniz ve elektrikli el aleti ile mantıklı bir şekilde çalışınız.** Yorgunsanız veya uyuşturucu, alkol veya ilaç etkisi altında olduğunuzda elektrikli el aleti kullanmayınız. Elektrikli el aletini kullanırken bir anlık dikkatsizlik ciddi yaralanmalara neden olabilir.
- ▶ **Kişisel koruyucu donanım ve her zaman bir koruyucu gözlük takınız.** Elektrikli el aletinin türüne ve kullanımına göre toz maskesi, kaymayan güvenlik ayakkabısı, koruyucu kask veya kulaklık gibi kişisel koruyucu donanımların kullanılması yaralanma riskini azaltır.
- ▶ **İstem dışı çalışmayı önleyiniz. Güç kaynağına ve/veya aküyü bağlamadan, girişini yapmadan veya taşımadan önce elektrikli el aletinin kapalı olduğundan emin olunuz.** Elektrikli el aletini taşıırken parmağınız şalterde ise veya alet açık konumda güç kaynağına takılırsa bu durum kazalara yol açabilir.
- ▶ **Elektrikli el aletini devreye almadan önce ayar aletlerini veya vidalama anahtarlarını çıkartınız.** Dönen bir alet parçasında bulunan bir alet veya anahtar yaralanmalara yol açabilir.
- ▶ **Aşırı bir vücut hareketinden sakınınız. Güvenli bir duruş sağlayınız ve her zaman dengeli tutunuz.** Böylece beklenmedik durumlarda elektrikli el aletini daha iyi kontrol edebilirsiniz.
- ▶ **Uygun kıyafetler giyiniz. Bol kıyafetler giymeyiniz veya takı takmayınız. Saçları, kıyafetleri ve eldivenleri hareket eden parçalardan uzak tutunuz.** Bol kıyafetler, takı veya uzun saçlar hareket eden parçalara takılabilir.
- ▶ **Toz emme ve tutma tertibatları monte edilebiliyorsa bunların bağlı olduğundan ve doğru kullanıldığından emin olunuz.** Bu toz emme tertibatının kullanımı tozdan kaynaklanabilecek tehlikeleri azaltılabilir.
- ▶ **Kendi güvenliğinizi riske atmayınız ve elektrikli el aletleri kullanımında son derece tecrübeli olsanız bile ilgili güvenlik kurallarını ihlal etmeyiniz.** Dikkatsiz kullanım saniyeler içerisinde ciddi yaralanmalara neden olabilir.

Elektrikli el aletinin kullanımı ve çalıştırılması

- ▶ **Aleti çok fazla zorlamayın. Çalışmanız için uygun olan elektrikli el aletini kullanın.** Uygun elektrikli el aleti ile bildirilen hizmet alanında daha iyi ve güvenli çalışırsınız.
- ▶ **Şalteri bozuk olan elektrikli el aletini kullanmayınız.** Açılıp kapatılmayan bir elektrikli el aleti tehlikelidir ve tamir edilmesi gerekir.
- ▶ **Alet ayarlarını yapmadan, aksesuar parçalarını değiştirmeden veya aleti bir yere koymadan önce fişi prizden ve/veya (çıkarılabilir) aküyü aletten çıkarınız.** Bu önlem, elektrikli el aletinin istem dışı çalışmasını engeller.
- ▶ **Kullanılmayan elektrikli el aletlerini çocukların erişemeyeceği yerde muhafaza edin. Aleti iyi tanımayan veya bu talimatları okumamış kişilere aleti kullanırmayınız.** Elektrikli el aletleri bilgisiz kişiler tarafından kullanılırsa tehlikelidir.
- ▶ **Elektrikli el aletlerinin ve aksesuarlarının bakımını titizlikle yapınız. Hareketli parçaların kusursuz çalıştığı ve sıkışmadığı, parçaların kırılıp kırılmadığı veya hasar görüp görmediği, elektrikli el aleti fonksiyonlarının kısıtlanma durumlarını kontrol ediniz. Hasarlı parçaları aleti kullanmadan önce tamir ettiriniz.** Birçok kazanın nedeni bakımı kötü yapılan elektrikli el aletleridir.
- ▶ **Kesme aletlerini keskin ve temiz tutun.** Özenle bakımı yapılmış keskin bıçak kenarı olan kesme aletleri daha az sıkışır ve kullanımı daha rahattır.
- ▶ **Elektrikli el aletini, aksesuarları, ek aletleri vb. bu talimatlara göre kullanın. Çalışma şartlarını ve yapılacak işi de ayrıca göz önünde bulundurun.** Elektrikli el aletlerinin öngörülen kullanım dışı kullanılması tehlikeli durumlara yol açabilir.
- ▶ **Tutamağı ve tutamak yüzeylerini daima temiz ve yağ ve gresten arındırılmış durumda tutunuz.** Kaygan tutamaklar ve tutamak yüzeyleri güvenli bir kullanımı ve öngörülemeyen durumlarda elektrikli el aletinin kontrolünü engeller.

Servis

- ▶ **Elektrikli el aletinizi sadece kalifiye uzman personele ve sadece orijinal yedek parçalar ile tamir ettiriniz.** Böylece elektrikli el aletinin güvenliğinin korunduğundan emin olunur.

2.2 İleri-geri hareket eden testere bacağı ile testereleme için güvenlik uyarıları

- ▶ **Kullanılan elektrikli el aletinin gizlenmiş elektrik kablolarına veya kendi bağlantı kablosuna temas edebileceği yerlerde çalışıyorsanız ek aleti sadece izole edilmiş tutamak yüzeyinden tutunuz.** Elektrik ileten bir hat ile temasta metal parçalar da gerilim altında kalır ve elektrik çarpmasına neden olabilir.
- ▶ **Keseceğiniz parçayı kısırtarak veya başka bir şekilde sabit bir zemine sabitleyip, emniyete alınız.** Keseceğiniz parçayı sadece elinizle veya vücudunuza dayayarak tutmanız halinde, parça sağlam durmaz ve kontrol kaybına yol açabilir.



2.3 Ek güvenlik uyarıları

Kişilerin güvenliği

- ▶ Aleti sadece teknik olarak kusursuz durumdayken kullanınız.
- ▶ Alette hiçbir zaman manipülasyonlar veya değişiklikler yapmayınız.
- ▶ Aleti her zaman iki elinizle öngörülen tutamaklardan sıkıca tutunuz. Tutamakları kuru ve temiz tutunuz.
- ▶ Aletin kullanımı sırasında uygun bir koruyucu gözlük, kulaklık ve koruyucu eldiven kullanınız.
- ▶ Ek aleti değiştirirken koruyucu eldiven takınız. Ek alete takılan uçlara dokunmak, kesik ve yanık türünde yaralanmalara yol açabilir.
- ▶ Koruyucu gözlük kullanınız. Etrafa sıçrayan malzeme vücudu ve gözleri yaralayabilir.
- ▶ Çalışmaya başlamadan önce çalışma sırasında ortaya çıkan tozun tehlike sınıfını öğreniniz. Ülkenizdeki tozdan koruma yönergelerine uygun bir resmi koruma sınıfına sahip toz emme tertibatı kullanınız.
- ▶ Çalışma yerinin iyi havalandırmasını sağlayınız ve gerektiği durumlarda ilgili toz için uygun olan bir maske kullanınız. Tozlara dokunulması veya tozların solunması, kullanıcıya veya yakınında bulunan kişilerde alerjik reaksiyonlara ve/veya solunum yolu hastalıklarına yol açabilir. Kayın veya meşe ağacı gibi belli tür tozlar özellikle ahşap işlemede ek maddelerle (kromat, ahşap koruyucu malzemeler) bağlantılı çalışıldığında kanser yapıcı olarak kabul edilir. Asbest içerikli malzemeler sadece uzman kişiler tarafından işlenmelidir.
- ▶ Parmaklarınızdaki kan dolaşımının daha iyi olması için çalışma molaları verin ve parmak egzersizleri yapın. Uzun süreli çalışmalarda titreşimden dolayı parmaklar, eller veya bileklerdeki kan damarlarında veya sinir sisteminde rahatsızlıklar oluşabilir.

Elektrik güvenliği

- ▶ Çalışmaya başlamadan önce çalışma alanında üzeri kapatılmış elektrik kablosu, gaz ve su borusu bulunup bulunmadığını kontrol edin. Bir elektrik hattına kazara zarar verilmesi halinde, aletin dışındaki metal parçalar elektrik çarpmasına neden olabilir.

Elektrikli el aletleri ile dikkatli çalışılması ve aletin doğru kullanılması

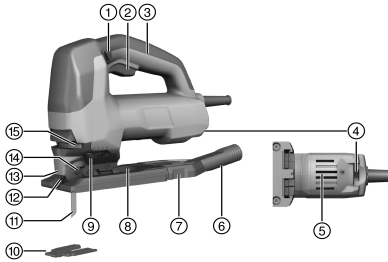
- ▶ Aleti emniyete alınız. Bir germe tertibatı veya mengene ile sabitlenen iş parçası, sadece elle tutulana göre daha emniyetlidir.

Dekupaj testere için özel güvenlik uyarıları

- ▶ Çalışırken aleti daima vücudunuzdan öteye doğru sürünüz.
- ▶ Ellerinizi asla testere bıçağının önünde veya yanında tutmayınız.
- ▶ Bilmediğiniz zeminleri kesmeyiniz ve kesme yolunun üstünü ve altını boş tutunuz.
- ▶ Kesme sırasında, kestığınız parçanın altından tutmayınız..

3 Tanımlama

3.1 Ürüne genel bakış



- ① Tutamak
- ② Açma/kapatma şalteri
- ③ tutamak
- ④ Strok sayısı ayarları için ayar çarkı
- ⑤ Havalandırma delikleri
- ⑥ Emme adaptörü
- ⑦ Sabitleme mandalı
- ⑧ Ana plaka
- ⑨ Sarkaç stroku ayar kolu
- ⑩ Kopan talaş koruması
- ⑪ Testere bıçağı
- ⑫ Dokunma koruması
- ⑬ Koruma kapağı
- ⑭ Alet bağlantı yeri
- ⑮ Testere bıçağını serbest bırakma kolu



3.2 Usulüne uygun kullanım

Tanımlanan ürün elle yönlendirilen, elektrikli bir sarkaç hareketli dekupaj testeredir. Plastik, ahşap ve metal malzemelerin yanı sıra alçı ve fiber plakaları kesmek için tasarlanmıştır.

Ürün, piyasada bulunan emme hortumlarına göre tasarlanmış olan isteğe bağlı bir toz emici için çıkarılabilir bir bağlantı ağızyla donatılmıştır. Emme hortumunu ürüne bağlamak için uygun bir adaptör gerekebilir.

Çalışma sadece tip plakasında verilen şebeke gerilimi ve frekansta gerçekleşmelidir.

- ▶ Bu ürün için sadece (bağlama sapı olarak) T-şaftlı testere bıçakları kullanınız.

3.3 Olası yanlış kullanım

- Ürün dal ve ağaç gövdelerinin kesilmesi için kullanılmamalıdır.
- Ürün sağlığa zarar veren maddelerin işlenmesi için kullanılmamalıdır.
- Ürün nemli ortamlardaki çalışmalarda kullanılmamalıdır.

3.4 Talaş üfleme düzeneği

Talaş üfleme düzeneği, kesim kenarında talaş kalmasını önlemek için, testere bıçağına doğru bir hava akımı oluşturur.

3.5 Strok sayısı

Strok sayısı ayar çarkı kullanılarak ayarlanabilir. Konum 1, dakikada 800 strok'a, konum 6 ise dakikada 3000 strok'a karşılık gelir.

Açma / kapama şalterine ne kadar güçlü basıldığına bağlı olarak, strok hızı dakikada 75 strok ile başlar ve ayar çarkında ayarlanmış olan, tanımlı strok sayısına kadar çıkar.

3.6 4 kademeli sarkaç hareketi

4 kademeli sarkaç hareketi sayesinde, kesme performansı ve kesit görüntüsü, kesilen malzemenin özelliklerine uyarlanabilir. Sarkaç stroku ayar kolu vasıtasıyla 4 kademe arasında geçiş yapılır.

Kesim kenarının ne kadar temiz ve pürüzsüz olması isteniyorsa o kadar küçük bir sarkaç hareket kademesi seçilmelidir. Deneme yanılma yolu ile en iyi ayar belirlenebilir.

Durum	Anlamı
Kademe 0	Sarkaç hareketi yok
Kademe 1	Düşük düzeyde sarkaç hareketi
Kademe 2	Orta düzeyde sarkaç hareketi
Kademe 3	Yüksek düzeyde sarkaç hareketi

3.7 Kilitleme düğmesi

Kilitleme düğmesi üç konuma getirilebilir.

1. Orta konum normal konumdur: Kilitleme düğmesi sağ veya sol konumda da olabilir. Örneğin strok sayısı ayarlanabilir.
Açma / kapatma şalterine basılabilir veya serbest bırakılabilir.
2. Kilitleme düğmesi sadece sol konumda ise: Taşıma konumu (Alet çalıştırılmaz).
Açma / kapatma şalteri kilitlenmiştir, basılamaz.
3. Kilitleme düğmesi sadece sağ konumda ise: Alet açıldıktan (yani açma / kapama şalterine tamamen bastırıldıktan) sonra, "Açık" konumunu kilitlemek için, kilitleme düğmesi sağa doğru bastırılabilir. Bu kilitin açılması için, açma / kapama şalterine yeniden basılmalıdır.

3.8 Kopan talaş koruması

Ürün bir kopan talaş koruması ile donatılabilir.

Kopan talaş koruması sayesinde, ahşap malzemelerin kesimi sırasında yüzeyden parça kopma önlenir.

3.9 Teslimat kapsamı

Testere bıçağı, koruma kapağı, emme adaptörü, kopan talaş koruması, kullanım kılavuzu, iç altıgen anahtar ile birlikte sarkaç hareketli dekupaj testeresi.



Ürünleriniz için uygun diğer sistem ürünlerini **Hilti** Center veya internetteki şu adreste bulabilirsiniz:
www.hilti.com

4 Teknik veriler

4.1 Sarkaç hareketli dekupaj testeresi

i Jeneratörlü veya transformatörlü bir işletim durumunda çıkış gücü, aletin tip plakasında belirtilen nominal akım tüketiminin en az iki katı büyüklüğünde olmalıdır. Transformatörün veya jeneratörün çalışma gerilimi her zaman alet nominal geriliminin % +5'i ile % -15'i arasında olmalıdır. Veriler, 230 V nominal gerilim için geçerlidir. Farklı gerilimlerde ve ülkeye özgü modellerde veriler değişebilir. Aletinizin nominal gerilimini ve frekansını, ayrıca nominal akım tüketimini ve nominal akımını tip plakasından öğrenebilirsiniz.

	SJD 6
Nominal akım tüketimi	850 W
01 EPTA Prosedürü'ne göre ağırlık	2,4 kg
Yüksüz strok sayısı	80 dev/dak ... 3.000 dev/dak
Strok boyu	28 mm
Ahşapta maksimum kesme performansı	150 mm
Alüminyumda maksimum kesme performansı	25 mm
Alaşımsız çelikte maksimum kesme performansı	10 mm
Kesme açısı (sol / sağ)	0°, 15°, 30°, 45°
Emme adaptörünün dış çapı	27,5 mm

4.2 EN 62841 uyarınca ses bilgisi ve titreşim değerleri

Bu talimatlarda belirtilen ses basıncı ve titreşim değerleri, ilgili normlara uygun bir ölçüm metodu ile ölçülmüştür ve elektrikli el aletlerinin birbirleri ile karşılaştırılması için kullanılabilir. Zorlanmaların geçici olarak değerlendirilmesine de uygundur.

Belirtilen değerler, elektrikli el aletinin ana kullanım alanlarını temsil eder. Elektrikli el aletinin, farklı ek aletlerle veya yetersiz bakım yapılmış şekilde kullanılması durumunda, veriler sapma gösterebilir. Bu durum, toplam çalışma süresi boyunca zorlanmayı belirgin şekilde yükseltebilir.

Doğru bir zorlanma değerlendirmesi için aletin kapatıldığı veya çalışır konumda olduğu ve ayrıca kullanımında olmadığı zamanlar da dikkate alınmalıdır. Bu durum, toplam çalışma süresi boyunca zorlanmayı belirgin şekilde azaltabilir.

Kullanıcıyı ses ve/veya titreşimden etkilerinden koruyacak ek güvenlik önlemleri belirleyiniz, örneğin: Elektrikli el aletinin ve ek aletlerin bakımının yapılması, ellerin sıcak tutulması, iş akışlarının düzenlenmesi.

Ses emisyonu değerleri

	SJD 6
Ses gücü seviyesi (L_{WA})	100,5 dB(A)
Ses gücü seviyesi için emniyetsizlik (K_{WA})	5 dB(A)
Ses basıncı seviyesi (L_{pA})	89,5 dB(A)
Ses basıncı seviyesi için emniyetsizlik (K_{pA})	5 dB(A)

Toplam titreşim değerleri

	SJD 6
Ahşap plakaların kesilmesindeki titreşim emisyon değeri ($a_{h,B}$)	9,7 m/sn ²
Metal levhaların kesilmesindeki titreşim emisyon değeri ($a_{h,M}$)	8,0 m/sn ²
Emniyetsizlik (K)	1,5 m/sn ²



5 Uzatma kablosunun kullanımı

İKAZ

Hasarlı kablo nedeniyle tehlike! Çalışma esnasında şebeke veya uzatma kablosu hasar görürse bu kabloya dokunmamalısınız. Şebeke fişi prizden çekilmelidir.

- ▶ Aletin bağlantı hatlarını düzenli olarak kontrol ediniz ve hasar durumunda bunu yetkili bir uzmana değiştirtiniz.
- Yalnızca kullanım alanı için izin verilen yeterli hat kesitine sahip uzatma kablosu kullanınız. Aksi takdirde alette güç kaybı ve kabloda aşırı ısınma meydana gelebilir.
- Uzatma kablosunun hasar durumunu düzenli olarak kontrol ediniz.
- Hasarlı uzatma kablosunu değiştiriniz.
- Açık alanda sadece izin verilen ve uygunluğu tanımlanmış uzatma kablosu kullanınız.



Önerilen minimum kesiti ve maksimum kablo uzunluğunu bu dokümanın sonun QR kodu olarak bulabilirsiniz.

6 Çalışma hazırlığı

DİKKAT

Yaralanma tehlikesi! Ürünün yanlışlıkla çalışmaya başlaması.

- ▶ Aletin ayarlarını yapmadan veya aksesuar parçalarını değiştirmeden önce şebeke fişini çekiniz.

Bu dokümanda ve ürün üzerinde bulunan güvenlik ve uyarı bilgilerine dikkat ediniz.

6.1 Testere bıçağının yerleştirilmesi

1. Şebeke fişini prizden çekiniz.
2. Testere bıçağını (dişleri kesme yönüne gelecek şekilde) alet bağlantı yerine iyice yerine oturana kadar bastırınız.
3. Testere bıçağının yerine emniyetli bir şekilde kilitlemiş olup olmadığını bıçağı yerinden çekerek kontrol ediniz.

6.2 Koruma kapağının yerine takılması

- ▶ Koruma kapağını, ürünün üzerinde yerine tam oturuncaya kadar önden arkaya doğru itiniz.

6.3 Emme adaptörünün takılması

1. Emme adaptörünü arkadan, her iki sabitleme mandalı yanlardan yerlerine oturuncaya kadar, yatay olarak ana plakaya doğru itiniz.
2. Toz emicinin hortumunu emme adaptörüne takınız.

6.4 Sarkaç hareketinin ayarlanması

1. Kullanılacak testere bıçağının gereksinimlerine uygun sarkaç stroku ayarını belirleyiniz.
2. Sarkaç stroku ayar kolunu dört kademededen → Sayfa 106 birinin üzerine getiriniz.

6.5 Strok sayısının ayarlanması



Doğru ayarı kullanılacak testere bıçağının gereksinimlerine uygun olarak belirleyiniz.

- ▶ Ayar çarkında strok sayısını 1 (küçük) ile 6 (büyük) aralığında ayarlayınız.

6.6 Kesme açısının ayarlanması

1. Emme adaptörünü sökünüz. → Sayfa 110
2. Germe kolunu 90° geriye doğru döndürünüz.
3. İstenilen kesme açısını (0°, 15°, 30° veya 45°) ayarlayınız.



4. Germe kolunu 90° öne doğru döndürünüz.
 - ▶ Ana plaka sabitlenir.
5. Emme adaptörünü takınız. → Sayfa 108

6.7 Kopan talaş korumasının takılması



Kopan talaş koruması sadece bu amaçla tasarlanmış olan testere bıçakları ile birlikte kullanılabilir.

1. Şebeke fişini prizden çekiniz.
2. Kopan talaş korumasını alttan ana plakaya bastırarak takınız.

7 Çalışma



İKAZ

Hasarlı kablo nedeniyle tehlike! Eğer çalışma sırasında şebeke veya uzatma kablosu hasar görürse aleti ve kabloyu derhal şebekeden ayırınız. Hasar görmüş yere dokunmayınız!

- ▶ Tüm bağlantı hatlarını düzenli olarak kontrol ediniz. Hasar görmüş uzatma kablolarını değiştiriniz. Hasar görmüş şebeke hatlarını yetkili bir uzmana yeniletiniz.

Esas olarak bir kaçak akım koruma şalterinin (RCD) kullanımı için maksimum 30 mA kontak akımı önerilir.

7.1 Toz emme tertibatı



Toz emme tertibatı toz kirlenmesini azaltır, kesilen yerin daha iyi görülmesi sayesinde iş emniyetini artırır ve toz ve talaş nedeniyle iş yeri kirlenmesinin önüne geçer.

1. Koruma kapağını yerine takınız. → Sayfa 108
2. Eğer uzun bir süre, yüksek yoğunlukta toz oluşturabilecek malzemeler veya ahşapla çalışma yapacaksanız emme adaptörü ve emme tertibatını takınız.

7.2 Ürünün açılması

1. Açma / kapatma şalterine basınız.
2. Şalteri kilitlemek için kilit düğmesine basınız.
3. Kilitli açmak için açma / kapama şalterine yeniden basınız.

7.3 Daldırmalı kesme

1. Sarkaç stroku ayar kolunu 0 konumuna getiriniz.
2. Ürünü, ana plakanın ön kenarı kesilecek parçanın üzerine gelecek şekilde tutunuz.
3. Ürünü sıkı tutunuz ve açma / kapatma şalterine basınız.
4. Ürünü kesilecek parçaya doğru güçlü bir şekilde bastırınız ve çalışma açısını düşürerek bıçağı malzemeye daldiriniz.
5. Bıçak kesilecek parçaya girdiğinde ürünü normal çalışma konumuna getiriniz.
 - ▶ Ana plaka tümüyle yüzeyin üzerinde bulunmalıdır.
6. Kesme hattı boyunca kesmeye devam ediniz.

7.4 Ürünün kapatılması

- ▶ Açma/ Kapama şalterini serbest bırakınız.

8 Sökme



DİKKAT

Yaralanma tehlikesi! Ürünün yanlışlıkla çalışmaya başlaması.

- ▶ Aletin ayarlarını yapmadan veya aksesuar parçalarını değiştirmeden önce şebeke fişini çekiniz.



Bu dokümanda ve ürün üzerinde bulunan güvenlik ve uyarı bilgilerine dikkat ediniz.

8.1 Emme adaptörünün sökülmesi 11

1. Her iki sabitleme mandalını içe doğru bastırınız.
2. Emme adaptörünü geriye doğru çekerek ana plakadan ayırınız.
3. Toz emicinin hortumunu emme adaptöründen çekip çıkartınız.

8.2 Koruma kapağının sökülmesi 12

- ▶ Koruma kapağını hafifçe eğiniz ve öne doğru çekiniz.

8.3 Testere bıçağının çıkartılması 13

İKAZ

Yaralanma tehlikesi. Testere bıçağının kontrolsüz bir şekilde yerinden çıkması yaralanmalara neden olabilir.

- ▶ Testere bıçağını çıkartırken, ürünü, bıçağın çıkartılması sırasında herhangi bir insan veya hayvanın yaralanmayacağı şekilde tutunuz.

1. Şebeke fişini prizden çekiniz.
2. Testere bıçağını serbest bırakma kolunu dayanak noktasına dayanıncaya kadar kenara doğru bastırınız.
 - ▶ Testere bıçağı serbest kalır ve yerinden çıkartılır.

9 Bakım ve onarım

İKAZ

Elektrik çarpması tehlikesi! Şebeke fişi takılıyken yapılan bakım ve onarım çalışmaları ciddi yaralanmalara ve yanıklara neden olabilir.

- ▶ Tüm bakım ve onarım çalışmalarından önce her zaman şebeke fişi çekilmelidir!

Bakım

- Yapışmış olan kir dikkatlice çıkarılmalıdır.
- Havalandırma deliklerini kuru bir fırça ile dikkatlice temizleyiniz.
- Gövde sadece hafif nemli bir bezle temizlenmelidir. Plastik parçalara yapışabileceğinden silikon içerikli bakım maddeleri kullanılmamalıdır.

Onarım

İKAZ

Elektrik çarpması tehlikesi! Elektrikli parçalarda usulüne uygun olmayan onarımlar ciddi yaralanmalara ve yanıklara neden olabilir.

- ▶ Elektrik parçalarındaki onarımlar sadece elektronik uzmanı tarafından yapılabilir.
- Görünür tüm parçalarda hasar olup olmadığı ve kumanda elemanlarının sorunsuz şekilde çalıştığı kontrol edilmelidir.
- Hasar ve/veya fonksiyon arızaları durumunda ürün çalıştırılmamalıdır. Derhal **Hilti** servisi tarafından onarılmalıdır.
- Bakım ve onarım çalışmalarından sonra tüm koruma tertibatları yerleştirilmeli ve fonksiyonları kontrol edilmelidir.



Güvenli çalışma için sadece orijinal yedek parçalar ve sarf malzemeleri kullanınız. Tarifimizdan onaylanmış, yedek parçaları, aksesuarları ve sarf malzemelerini **Hilti Store** veya adresinde bulabilirsiniz. www.hilti.group.

9.1 Emme adaptörünün temizlenmesi

1. Şebeke fişini prizden çekiniz.
2. Toz emicinin hortumunu emme adaptöründen çıkartınız.
3. Emme adaptörünü sökünüz. → Sayfa 110
4. Emme adaptörünü temizleyiniz.
5. Sabitleme mandallarının hasar görmüş olup olmadıklarını kontrol ediniz.



6. Emme adaptörünü takınız. → Sayfa 108

9.2 Testere bıçaklarının temizlenmesi

1. Kullanılan testere bıçaklarının üzerinde kalan reçineleri düzenli olarak temizleyiniz.
2. Testere bıçaklarını 24 saat süreyle gaz yağına veya piyasada satılan bir reçine çözücüye yatırınız.

10 Taşınması ve depolanması

Taşıma

- Bu ürünü bir el aleti takılıken taşımayınız.
- Taşıma esnasında güvenli bir şekilde durmasına dikkat ediniz.
- Görünür tüm parçalarda hasar olup olmadığını ve kumanda elemanlarının sorunsuz şekilde çalışıp çalışmadığını her taşımadan sonra kontrol ediniz.

Depolama


- Bu ürünü daima şebeke fişi çekili olarak depolayınız.
- Bu ürünü kuru ve çocuklar ile yetkisiz kişilerin erişemeyeceği yerlerde muhafaza ediniz.
- Görünür tüm parçalarda hasar olup olmadığını ve kumanda elemanlarının sorunsuz şekilde çalışıp çalışmadığını uzun süreli depolamadan sonra kontrol ediniz.

11 Arıza durumunda yardım

Bu tabloda listelenmemiş veya kendi başınıza gideremediğiniz arızalarda lütfen yetkili **Hilti** servisimiz ile irtibat kurunuz.

Arıza	Olası sebepler	Çözüm
Testere bıçağı kendiliğinden çıkıyor.	Testere bıçağı doğru kilitlenmemiş.	► Takma işlemini tekrar ediniz. ► Alet bağlantı yerinin tamamen açılmış ve testere bıçağının dayanak noktasına kadar bastırılmış olduğundan emin olunuz.
	Gerdirme sistemi kirlenmiş.	► Alet bağlantı yerini temizleyiniz.
Testere bıçağı takılmıyor.	Gerdirme sistemi kirlenmiş.	► Alet bağlantı yerini temizleyiniz.
Sarkaç strok ayarı yapılamıyor.	Sarkaç kolunun somunu kirlenmiş.	► Sarkaç kolunun somununda bulunan pislikleri temizleyiniz.
Sarkaç stroku işlevi çalışmıyor.	Sarkaç mekanizması kirlenmiş.	► Sarkaç çatalı bölgesinde pislik bulunup bulunmadığını kontrol ediniz, varsa bunları temizleyiniz.
	Sarkaç stroku ayar kolu "0" konumunda.	► İsteddiğiniz değeri ayarlayınız.
Elektrikli el aleti çok sıcak.	Elektrik arızası.	► Aleti derhal kapatınız ve şebeke kablosunu çekip çıkartınız. ► Aleti soğumaya bırakınız ve Hilti servisi ile temasa geçiniz.

12 İmha

 **Hilti** aletleri yüksek oranda geri dönüşümlü malzemelerden üretilmiştir. Geri dönüşüm için gerekli koşul, usulüne uygun malzeme ayrımıdır. Çoğu ülkede **Hilti**, eski aletlerini yeniden değerlendirmek üzere geri alır. Bu konuda **Hilti** müşteri hizmetlerinden veya satış temsilcinizden bilgi alabilirsiniz.



- Elektrikli el aletlerini, elektronik cihazları ve aküleri evdeki çöplere atmayınız!

13 RoHS (Tehlikeli madde kullanımını kısıtlama direktifi)

Tehlikeli maddeler tablosunu aşağıdaki internet bağlantılarında bulabilirsiniz: qr.hilti.com/r5212956



RoHS tablosunun linkini bu dokümanın sonunda QR kodu olarak bulabilirsiniz.

14 Üretici garantisi

- Garanti koşullarına ilişkin sorularınız için lütfen yerel **Hilti** iş ortağınıza başvurunuz.



دليل الاستعمال الأصلي

1 بيانات المستند

1.1 حول هذا المستند

- اقرأ هذه المستندات بالكامل قبل التشغيل. يعتبر هذا شرطا للعمل بشكل آمن والاستخدام بدون اختلالات.
- تراعى إرشادات الأمان والإرشادات التحذيرية الواردة في هذا المستند وعلى الجهاز.
- احتفظ بدليل الاستعمال دائما مع المنتج، ولا تعطي الجهاز لآخرين إلا مرفقا بهذا الدليل.

2.1 شرح العلامات

1.2.1 إرشادات تحذيرية

تبه الإرشادات التحذيرية إلى الأخطار الناشئة عند التعامل مع الجهاز. يتم استخدام الكلمات الدليلية التالية:



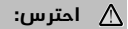
خطر!

تشير لخطر مباشر يؤدي لإصابات جسدية خطيرة أو إلى الوفاة.



تحذير!

تشير لخطر محتمل قد يؤدي لإصابات جسدية خطيرة أو إلى الوفاة.



احترس!

تشير لموقف خطر محتمل يمكن أن يؤدي لإصابات جسدية خفيفة أو أضرار مادية.

2.2.1 الرموز في المستند

يتم استخدام الرموز التالية في هذا المستند:

قبل الاستخدام اقرأ دليل الاستعمال	
إرشادات الاستخدام ومعلومات أخرى مفيدة	
التعامل مع مواد قابلة لإعادة التدوير	
لا تتخلص من الأجهزة الكهربائية البطاريات ضمن القمامة المنزلية	

3.2.1 الرموز في الصور

تستخدم الرموز التالية في الرسوم التوضيحية:

2	تشير هذه الأعداد إلى الصور المعنية بمطلع هذا الدليل
3	ترقيم الصور يمثل ترتيب خطوات العمل في الصور، وقد يختلف عن ترقيم خطوات العمل في النص
11	يتم استخدام أرقام المواضع في صورة العرض العام وهي تشير إلى أرقام تعليق الصورة في فصل عرض عام للمنتج
	ينبغي أن تسترعي هذه العلامة اهتماما خاصا عند التعامل مع المنتج.

3.1 الرموز المرتبطة بالمنتج

1.3.1 الرموز على المنتج

يتم استخدام الرموز التالية على المنتج:



عدد الأشواط بلا حمل	n ₀
نقل البيانات لاسلكيا	

4.1 معلومات المنتج

منتجات **Hilti** مصممة للمستخدمين المتمترفين ويقتصر استعمالها وصيانتها وإصلاحها على الأشخاص المعتمدين والمدرّبين جيدا. هؤلاء الأشخاص يجب أن يكونوا قد تلقوا تدريباً خاصاً على الأخطار الطارئة. قد يتسبب المنتج المشروح وأدواته المساعدة في حدوث أخطار إذا تم التعامل معها بشكل غير سليم فنياً من قبل أشخاص غير مدرّبين أو تم استخدامها بشكل غير مطابق للتعليمات. يوجد مسمى الطراز والرقم المسلسل على لوحة الصنع.

- ◀ انقل الرقم المسلسل في الجدول التالي. يرجى تقديم هذه المعلومات دائماً عند التقدم بأية استفسارات بخصوص المنتج لدى وكلائنا أو مراكز الخدمة الخاصة بنا.
- ◀ انقل الرقم المسلسل في الجدول التالي. يرجى تقديم هذه المعلومات دائماً عند التقدم بأية استفسارات بخصوص المنتج لدى وكلائنا أو مراكز الخدمة الخاصة بنا.

بيانات المنتج

المنشأ الأركت بندولي الأشواط	SJD 6
الجيل	01
الرقم المسلسل	

5.1 بيان المطابقة

نقر على مسؤوليتنا الفردية بأن المنتج المشروح هنا متوافق مع التشريعات والمواصفات المعمول بها. نجد صورة لبيان المطابقة في نهاية هذا المستند. المستندات الفنية محفوظة هنا:

Hilti Entwicklungsgesellschaft mbH | Zulassung Geräte | Hiltistraße 6 | 86916 Kaufering, DE

2 السلامة

1.2 إرشادات السلامة العامة المتعلقة بالأدوات الكهربائية

⚠ تحذير احرص على قراءة جميع إرشادات السلامة، التوجيهات، الصور التوضيحية والمواصفات الفنية المرفقة مع هذه الأداة الكهربائية. أي تقصير أو إهمال في الالتزام بالتعليمات التالية قد يتسبب في حدوث صعق كهربائي، نشوب حريق و/أو وقوع إصابات خطيرة.

احتفظ بجميع مستندات إرشادات السلامة والتعليمات لاستخدامها عند الحاجة إليها فيما بعد.

يقصد بمصطلح «الأداة الكهربائية» المذكور في إرشادات السلامة الأدوات الكهربائية المشغلة بالكهرباء (باستخدام كابل الكهرباء) أو الأدوات الكهربائية المشغلة بالبطاريات (بدون كابل الكهرباء).

سلامة مكان العمل

- ◀ حافظ على نطاق عملك نظيفاً ومضاءً بشكل جيد. الفوضى أو أماكن العمل غير المضاءة يمكن أن تؤدي لوقوع حوادث.
- ◀ لا تعمل بالأداة الكهربائية في محيط معرض لخطر الانفجار يتواجد به سوائل أو غازات أو أنواع غبار قابلة للاشتعال. الأدوات الكهربائية تولد شرراً يمكن أن يؤدي لإشعال الغبار والأبخرة.
- ◀ احرص على إبعاد الأطفال والأشخاص الآخرين أثناء استخدام الأداة الكهربائية. في حالة انصراف انتباهك قد تفقد السيطرة على الجهاز.

السلامة الكهربائية

- ◀ يجب أن يكون قابس توصيل الأداة الكهربائية متلائماً مع المقبس. لا يجوز تعديل القابس بأي حال من الأحوال. لا تستخدم قوايس مهايئة مع أدوات كهربائية ذات وصلة أرضي محمية. القوايس غير المعدلة والمقابس الملائمة تقلل من خطر حدوث صدمة كهربائية.
- ◀ تجنب حدوث تلامس للجسم مع أسطح مؤرضة مثل الأسطح الخاصة بالمواسير وأجهزة التدفئة والمواقد والثلاجات. ينشأ خطر متزايد من حدوث صدمة كهربائية عندما يكون جسمك متصلاً بالأرض.
- ◀ أبعد الأدوات الكهربائية عن الأمطار أو البلل. تسرب الماء إلى داخل الأداة الكهربائية يزيد من خطر حدوث صدمة كهربائية.



- لا تستخدم كابل التوصيل لحمل الأداة الكهربائية أو تعليقها أو لسحب القابس من المقبس. احتفظ بكابل التوصيل بعيدا عن السفونة والزيت والمواف المادة والأجزاء المتحركة. كابلات التوصيل التالفة أو المتشابكة تزيد من خطر حدوث صعق كهربائي.
- عندما تعمل بأداة كهربائية في مكان مكشوف، فلا تستخدم سوى كابلات الإطالة المناسبة للعمل في النطاق الخارجي. استخدام كابل إطالة مناسب للعمل في النطاق الخارجي يقلل من خطر حدوث صعق كهربائي.
- إذا تعذر تجنب تشغيل الأداة الكهربائية في محيط رطب، فاستخدم مفتاح حماية من تسرب التيار. استخدام مفتاح الحماية من تسرب التيار يقلل خطر حدوث صدمة كهربائية.

سلامة الأشخاص

- كن يقظا وانتبه لما تفعل وتعامل مع الأداة الكهربائية بتعقل عند العمل بها. لا تستخدم الأداة الكهربائية عندما تكون متعبا أو تحت تأثير المخدرات أو الكحوليات أو العقاقير. فقد يتسبب عدم الانتباه للحظة واحدة أثناء الاستخدام في حدوث إصابات بالغة.
- ارتد تجهيزات وقاية شخصية وارتد دائما نظارة واقية. ارتدء تجهيزات وقاية شخصية، مثل قناع الوقاية من الغبار وأحذية الأمان المضادة للانزلاق وخوذة الوقاية أو واقي السمع، تبعا لنوع واستخدام الأداة الكهربائية، يقلل من خطر الإصابات.
- تجنب التشغيل بشكل غير مقصود. تأكد أن الأداة الكهربائية مطفأة قبل توصيلها بالكهرباء و/أو بالبطارية وقبل رفعها أو حملها. إذا كان إصبعك على المفتاح عند حمل الأداة الكهربائية أو كان الجهاز في وضع التشغيل عند التوصيل بالكهرباء، فقد يؤدي ذلك لوقوع حوادث.
- أبعد أدوات الضبط أو مفاتيح ربط البراغي قبل تشغيل الأداة الكهربائية. الأداة أو المفتاح المتواجد في جزء دوار من الجهاز يمكن أن يؤدي لحدوث إصابات.
- تجنب اتخاذ وضع غير طبيعي للسمع. احرص على أن تكون واقفا بأمان وحافظ على توازنك في جميع الأوقات. من خلال ذلك تستطيع السيطرة على الأداة الكهربائية بشكل أفضل في المواقف المفاجئة.
- ارتد ملابس مناسبة. لا ترتد ملابس فضفاضة أو حلي. احرص على أن يكون الشعر والملابس والقفازات بعيدة عن الأجزاء المتحركة. الملابس الفضفاضة أو الحلي أو الشعر الطويل يمكن أن تشبك في الأجزاء المتحركة.
- إذا أمكن تركيب تجهيزات شفط وتجميع الغبار، فتأكد أنها موصلة ومستخدمة بشكل سليم. استخدام تجهيزة شفط الغبار يمكن أن يقلل الأخطار الناتجة عن الغبار.
- لا تعتقد بأنك في مأمن عن الخطر ولا تتجاهل تشريعات السلامة المعنية للأدوات الكهربائية، حتى وإن كنت على دراية بالأداة الكهربائية بعد تكرار استخدامها. التعامل مع الجهاز بدون حذر قد يؤدي إلى وقوع إصابات بالغة في جزء من الثانية.

استخدام الأداة الكهربائية والتعامل معها

- لا تفرط في التحميل على الجهاز. استخدم الأداة الكهربائية المناسبة للعمل الذي تقوم به. استخدام الأداة الكهربائية المناسبة يتيح لك العمل بشكل أفضل وأكثر أمانا في نطاق العمل المقرر.
- لا تستخدم أداة كهربائية ذات مفتاح تالف. الأداة الكهربائية التي لم يعد يمكن تشغيلها أو إطفائها تمثل خطورة ويجب إصلاحها.
- اسحب القابس من المقبس و/أو اخلع البطارية القابلة للخلع من الجهاز قبل إجراء عمليات الضبط، أو استبدال أجزاء الملحقات أو عند ترك الجهاز. هذا الإجراء الوقائي يمنع بدء تشغيل الأداة الكهربائية دون قصد.
- احتفظ بالأدوات الكهربائية غير المستخدمة بعيدا عن متناول الأطفال. لا تسمح باستخدام الجهاز من قبل أشخاص ليسوا على دراية به أو لم يقرءوا هذه التعليمات. الأدوات الكهربائية خطيرة في حالة استخدامها من قبل أشخاص ليست لديهم الخبرة الواجبة.
- اعتني جيدا بالأدوات الكهربائية والملحقات. افحص الأجزاء المتحركة من حيث أداؤها لوظيفتها بدون مشاكل وعدم انحصارها وافحصها من حيث وجود أجزاء مكسورة أو متعرضة للضرر يمكن أن تؤثر سلبا على وظيفة الأداة الكهربائية. اعمل على إصلاح الأجزاء التالفة قبل استخدام الجهاز. الكثير من الحوادث مصدرها الأدوات الكهربائية التي تم صيانتها بشكل رديء.
- حافظ على أدوات القطع حادة ونظيفة. تتميز أدوات القطع ذات حواف القطع المادة المعتنى بها بدقة بأنها أقل عرضة للتعثُر وأسبل في التعامل.
- استخدم الأداة الكهربائية والملحقات وأدوات العمل وخلافه طبقا لهذه التعليمات. احرص في هذه الأثناء على مراعاة اشتراطات العمل والمهمة المراد تنفيذها. استخدام الأدوات الكهربائية في تطبيقات غير تلك المقررة لها يمكن أن يؤدي لمواقف خطيرة.



حافظ على المقابض ومواضع المسك في حالة جافة ونظيفة وخالية من الزيت والشحم. المقابض ومواضع المسك الانزلاقية تحول دون استعمال الأداة الكهربائية والتحكم بها بشكل آمن في المواقف غير المتوقعة.

الخدمة

أعمل على إصلاح أدواتك الكهربائية على أيدي فنيين معتمدين فقط والاقصر على استخدام قطع الغيار الأصلية. وبذلك تتأكد أن سلامة الأداة الكهربائية تظل قائمة.

2.2 إرشادات السلامة للمناشير المزودة بشفرة منشار تتحرك ذهاباً وجيئة

- أحرص على مسك الأداة الكهربائية من مواضع المسك المعزولة عند إجراء أعمال يحتمل فيها أن تتلامس أداة الشغل مع أسلاك كهربائية مخفية. حيث أن ملامسة سلك يسري فيه التيار الكهربائي يمكن أن ينقل الجهد الكهربائي للأجزاء المعدنية بالجهاز ويؤدي لحدوث صدمة كهربائية.
- قم بتثبيت وتأمين أداة الشغل على سنادة متينة باستخدام قامطات أو بأي طريقة أخرى. أما إذا قمت بمسك قطعة الشغل بيدك أو سندها بجسمك، فستظل غير مستقرة، وقد يؤدي هذا إلى فقدانك السيطرة.

3.2 إرشادات إضافية للسلامة

سلامة الأشخاص

- أقصر على استخدام الجهاز وهو في حالة سليمة من الناحية الفنية.
- لا تقم أبداً بأية تدخلات أو تغييرات على الجهاز.
- أسك الجهاز دائماً بيدك من المقابض المعنية. حافظ على جفاف ونظافة المقابض.
- أحرص أثناء استخدام الجهاز على استعمال نظارة واقية ملائمة، واقية للأذنين وقفاز واق.
- ارتد قفازات واقية عند تغيير أداة الشغل. ملامسة أداة الشغل قد تؤدي لوقوع إصابات بجروح قطعية وإصابة بحروق.
- استخدم واقياً للعينين. الشظايا المتطايرة يمكن أن تصيب الجسم والعينين.
- أحرص قبل بدء العمل على معرفة فئة خطر الغبار الناشئ عند إجراء العمل. استخدم شفاط غبار أعمال الإنشاءات ذي فئة حماية مصرح بها رسمياً ومطابق للتعليمات المحلية الخاصة بالحماية من الغبار.
- أحرص على وجود توية جيدة لمكان العمل وارتد عند اللزوم قناع تنفس مخصص لنوعية الغبار المنبعث. ملامسته أو استنشاقه قد يسبب أعراض حساسية و/أو أمراض الجهاز التنفسي للمستخدم أو للأشخاص المتواجدين على مقربة منه. هناك أنواع معينة مسرطنة من الغبار مثل غبار خشب البلوط أو غبار خشب الزان، ولا سيما إذا ارتبطت هذه الأنواع بمواد إضافية لمعالجة الأخشاب (مثل الكروم ومواد حماية الأخشاب). لا يجوز التعامل مع المواد المحتوية على الأسبستوس إلا من قبل فنيين متخصصين.
- خذ قسطاً من الراحة أثناء العمل وقم بتمارين استرخاء لسريان الدم في الأصابع بشكل أفضل. عند القيام بأعمال لفترات طويلة فقد يحدث اضطرابات في الأوعية الدموية أو الجهاز العصبي بسبب كثرة الاهتزازات على الأصابع، الأيدي أو معصم اليد.

السلامة الكهربائية

- قبل بدء الأعمال افحص نطاق العمل من حيث وجود توصيلات كهرباء مغطاة أو مواسير للغاز والماء. الأجزاء المعدنية الخارجية بالجهاز يمكن أن تتسبب في صدمة كهربائية، إذا قمت دون قصد بإتلاف إحدى توصيلات التيار.

الاستخدام والتعامل بعناية مع الأدوات الكهربائية

- قم بتثبيت قطعة الشغل. يتم مسك قطعة الشغل بشكل أكثر أماناً من مسكها باليد في حالة تثبيتها باستخدام تجهيزات الشد أو منجلة.

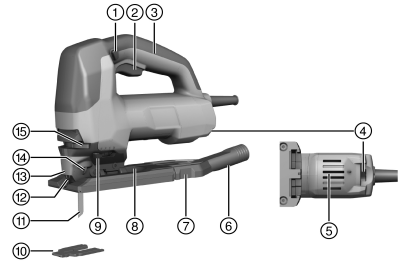
إرشادات سلامة خاصة لمناشير الأركت

- قم دائماً بإبعاد المنتج عن جسمك عند القطع بالمنشار.
- لا تضع يدك أبداً أمام أو عند شفرة المنشار.
- لا تستخدم المنشار في نشر خامات غير معروفة، واحرص على إخلاء مسار القطع بأعلى وأسفل من العوائق.
- لا تمسك قطعة الشغل من أسفل أثناء القطع بالمنشار.



1.3 نظرة عامة على المنتج 1

- ① مفتاح الثبات
- ② مفتاح التشغيل/الإيقاف
- ③ المقبض
- ④ طارة الضبط الخاصة بأوضاع ضبط عدد الأشواط
- ⑤ فتحات التهوية
- ⑥ مهابتى شفط
- ⑦ خطاف التأمين
- ⑧ قرص الارتكاز
- ⑨ ذراع لضبط الأشواط البندولية
- ⑩ واقية انفصال الخامة
- ⑪ شفرة المنشار
- ⑫ وسيلة الحماية من التلامس
- ⑬ الغطاء الواقي
- ⑭ ظرف تركيب الأدوات
- ⑮ ذراع تحرير شفرة المنشار



2.3 الاستخدام المطابق للتعليمات

المنتج المشروع عبارة عن منشار أركت بندولي الأشواط يستخدم باليد ويعمل كهربائياً. وهو مصمم لنشر الخامات البلاستيكية والخشبية والمعدنية وكذلك الألواح الجصية والليفية. المنتج مُجهز بفوهة توصيل قابلة للتركيب لشفط غبار اختياري، والتي تم تصميمها للاستخدام مع خراطيم الشفطات المتداولة. لغرض توصيل خرطوم الشفط بالمنتج، قد يلزم وجود مهابتى مناسب. يجب ألا يتم التشغيل إلا بالتردد والجهد الكهربائي المذكورين على لوحة الصنع.
 ◀ اقتصر على استخدام شفرات المنشار من نوع T مع هذا المنتج (ساق أحادية الكامة).

3.3 الاستخدام الخاطئ المحتمل

- لا يجوز استخدام المنتج لنشر أفرع وجذوع الشجر.
- لا يجوز استخدام المنتج لمعالجة الخامات الصارة بالصحة.
- لا يجوز استخدام المنتج لإجراء أعمال في محيط رطب.

4.3 تجبيزة نفخ النشارة

تقوم تجبيزة نفخ النشارة بتمرير تيار هواء إلى شفرة المنشار، وذلك لإخلاء خط القطع من النشارة.

5.3 عدد الأشواط

يمكن ضبط عدد الأشواط من طارة الضبط. الوضع 1 يطابق 800 شوط في الدقيقة والوضع 6 يطابق 3000 شوط في الدقيقة. تبعاً لشدة الضغط على مفتاح التشغيل/الإيقاف، تبدأ سرعة الأشواط بمقدار 75 شوط في الدقيقة ثم ترتفع إلى أن تصل إلى الأشواط المحددة التي تم ضبطها من خلال طارة الضبط.

6.3 الحركة البندولية رباعية الدرجات

يمكن من خلال الحركة البندولية رباعية الدرجات موازنة قدرة القطع والمقطع مع الخامة المراد قطعها. يتم التحويل بين الدرجات الأربع عن طريق ذراع وضع ضبط الأشواط البندولية. كلما كانت حافة القطع نظيفة ودقيقة، كانت درجة الحركة البندولية المُختارة أصغر. يمكن احتساب وضع الضبط المثالي من خلال عدة محاولات عملية.

الحالة	الاستعمال
الدرجة 0	لا توجد حركة بندولية
الدرجة 1	حركة بندولية صغيرة



الحالة	الاستعمال
الدرجة 2	حركة بندولية متوسطة
الدرجة 3	حركة بندولية كبيرة

7.3 زر التثبيت 2

يمكن ضبط زر التثبيت على ثلاثة أوضاع.

1. يُعتبر الوضع الأوسط هو الوضع العادي: يمكن رؤية زر التثبيت من جهة اليمين واليسار. ويمكن على سبيل المثال مواءمة عدد الأشواط. يمكن الضغط على مفتاح التشغيل/الإيقاف وتركه.
2. لا يمكن رؤية زر التثبيت إلا من جهة اليسار: وضع النقل (لا يمكن أن يدور الجهاز). مفتاح التشغيل/الإيقاف مؤمن، لا يمكن الضغط عليه.
3. لا يمكن رؤية زر التثبيت إلا من جهة اليمين: بعد تشغيل الجهاز (مفتاح التشغيل/الإيقاف مضغوط تمامًا)، يمكن ضغط زر التثبيت إلى جهة اليمين، وذلك لتثبيت وضع «التشغيل». لغرض فك التثبيت، يجب الضغط على مفتاح التشغيل/الإيقاف.

8.3 واقية انفصال الخامة

يمكن تجهيز المنتج بواقية انفصال الخامة. يتم من خلال واقية انفصال الخامة منع انفصال السطح الخارجي عند قطع الخامات الخشبية.

9.3 مجموعة التجهيزات الموردة

المنشار الأركت بندولي الأشواط مع شفرة المنشار، الغطاء الواقي، مهايئ الشفط، واقية انفصال الخامة، دليل الاستعمال، المفتاح سداسي الرأس. تجد المزيد من منتجات النظام المسموح بها لجهازك لدى مركز Hilti الذي تتعامل معه أو على موقع الإنترنت: www.hilti.com

4 المواصفات الفنية

1.4 المنشار الأركت بندولي الأشواط

i في حالة التشغيل من مولد أو محمول، فإنه يجب ألا تقل قدرة الخرج الخاصة به عن ضعف قدرة الدخل الاسمية الواردة على لوحة صنع الجهاز. جهد تشغيل المحول أو المولد يجب أن يكون دائمًا في نطاق +5% و -15% من الجهد الكهربائي الاسمي للجهاز. تسري البيانات على الجهد الكهربائي الاسمي 230 فلت. يمكن أن تتغير البيانات حسب قيم الجهد المختلفة والمواصفات الخاصة بالبلد. يرجى الاطلاع على بيانات الجهد الاسمي والتردد وقدرة الدخل الاسمية أو التيار الاسمي لجهازك من لوحة الصنع.

الطراز SJD 6	
850 واط	قدرة الدخل الاسمية
2.4 كجم	الوزن طبقا لبروتوكول EPTA 01
80 لفة/دقيقة ... 3,000 لفة/دقيقة	عدد الأشواط بلا حمل
28 مم	مستوى الارتفاع
150 مم	أقصى قدرة قطع في الخشب
25 مم	أقصى قدرة قطع في الألمنيوم
10 مم	أقصى قدرة قطع في الفولاذ غير المسبوك
0°، 15°، 30°، 45°	زاوية القطع (يساراً/يميناً)
27.5 مم	القطر الخارجي لمهايئ الشفط



2.4 قيم الضوضاء والاهتزاز طبقا للمواصفة EN 62841

تم قياس ضغط الصوت وقيم الاهتزاز الواردة في هذا الدليل طبقا لأحد معايير القياس المحددة ويمكن الاستعانة بها في إجراء مقارنة بين الأدوات الكهربائية مع بعضها البعض. وهي مناسبة أيضا لتقدير حجم المخاطر بصورة أولية.

المواصفات الواردة تتعلق بالاستخدامات الأساسية للأداة الكهربائية. أما إذا تم استخدام الأداة الكهربائية في تطبيقات أخرى مع أدوات شغل مخالفة للمواصفات أو دون صيانة كافية، ففي هذه الحالة قد تختلف المواصفات. وقد يزيد هذا من نسبة المخاطر طوال مدة العمل بصورة واضحة.

وللحصول على تقدير دقيق لحجم المخاطر ينبغي أيضا مراعاة الأوقات التي يتم فيها إيقاف الجهاز أو التي يتم فيها تشغيل الجهاز ولكن دون استخدام حقيقي. وقد يقلل هذا من نسبة المخاطر طوال مدة العمل بصورة واضحة. احرص على اتخاذ إجراءات إضافية للسلامة من شأنها حماية المستخدم من تأثير الضجيج و/أو الاهتزازات مثل: صيانة الأداة الكهربائية وأدوات الشغل والحفاظ على الأيدي في حالة دافئة وتنظيم مراحل العمل.

قيم الضجيج المنبعث

الطراز SJD 6	
100.5 ديسيبل (A)	مستوى شدة الصوت (L_{WA})
5 ديسيبل (A)	نسبة التفاوت لمستوى شدة الصوت (K_{WA})
89.5 ديسيبل (A)	مستوى ضغط الصوت (L_{pA})
5 ديسيبل (A)	نسبة التفاوت لمستوى ضغط الصوت (K_{pA})

قيم الاهتزاز الإجمالية

الطراز SJD 6	
9.7 م/ثانية ²	قيمة انبعاثات الاهتزاز أثناء النشر في الألواح الخشبية (a_{nB})
8.0 م/ثانية ²	قيمة انبعاثات الاهتزاز أثناء النشر في لوح معدني (a_{nM})
1.5 م/ثانية ²	نسبة التفاوت (K)

5 استخدام كابل إطالة

تحذير

خطر بسبب الكابلات التالفة! في حالة تلف كابل الكهرباء أو كابل الإطالة أثناء العمل، فإنه لا يجوز لمس الكابل. اسحب القابس الكهربائي من المقبس.

- افحص أسلاك توصيل الجهاز بشكل منتظم وعند تلفها اعمل على تغييرها بمعرفة فني معتمد.
- لا تستخدم سوى كابل إطالة مسموح به في نطاق العمل المعني وبراعى أن يكون ذا مقطع عرضي كاف.
- وإلا فمن الممكن أن يقل أداء الجهاز ويسخن الكابل بشدة.
- افحص كابل الإطالة بانتظام للتأكد من عدم وجود أضرار به.
- اعمل على تغيير كابلات الإطالة التالفة.
- في الأماكن المكشوفة لا تستخدم سوى كابل إطالة مصرح به لذلك ومذكور عليه ما يفيد ذلك.

القيم الموصى بها للحد الأدنى للمقاطع العرضية والحد الأقصى لأطوال الكابلات موجودة في نهاية هذا المستند ككود QR.

6 التحضير للعمل

احترس:

خطر الإصابة! تشغيل الجهاز بشكل غير مقصود.

- اسحب القابس الكهربائي، قبل إجراء عمليات ضبط الجهاز أو تغيير أجزاء الملحقات.

تراجع إلى إرشادات الأمان والإرشادات التحذيرية الواردة في هذا المستند وعلى الجهاز.

1.6 تركيب شفرة المنشار

- اسحب القابس الكهربائي من المقبس.
- اضغط شفرة المنشار (الأسنان في اتجاه القطع) في ظرف تركيب الأدوات إلى أن تثبت.



3. تحقق من مدى إحكام قفل شفرة المنشار عن طريق جذبها.

2.6 تركيب الغطاء الواقي 4

◀ قم بتحريك الغطاء الواقي من الأمام على المنتج، إلى أن يثبت.

3.6 تركيب مهايئ الشفط 5

1. ادفع مهايئ الشفط من الخلف بشكل أفقي في قاعدة الارتكاز، إلى أن يثبت خطاف التأمين على الجانب.
2. قم بتوصيل خرطوم شفاط الغبار بمهايئ الشفط.

4.6 ضبط الحركة البندولية 6

1. يُرجى الاطلاع على وضع الضبط الصحيح للأشواط البندولية من متطلبات شفرة المنشار المعنية.
2. اضبط ذراع وضع ضبط الأشواط البندولية على إحدى درجات الأربع ← صفحة 117.

5.6 ضبط عدد الأشواط 7

يمكنك الاطلاع على وضع الضبط الصحيح في التعليمات المعنية الخاصة بشفرة المنشار.



◀ اضبط من طارة الضبط عدد الأشواط بين 1 (صغيرة) و 6 (كبيرة).

6.6 ضبط زاوية القطع 8

1. قم بفك فك مهايئ الشفط. ← صفحة 121
2. قم بتحريك ذراع الشد بزواوية 90° إلى الخلف.
3. اضبط زاوية القطع المرغوبة (0°, 15°, 30° أو 45°).
4. قم بتحريك ذراع الشد بزواوية 90° إلى الأمام.
5. قم بتركيب مهايئ شفط. ← صفحة 120

7.6 تركيب واقية انفصال الخامة 9

لا يمكن استخدام واقية انفصال الخامة إلا لشفرة المنشار المُحددة.



1. اسحب القابس الكهربائي من المقبس.
2. اضغط واقية انفصال الخامة من أسفل في قاعدة الارتكاز.

7 العمل

تحذير

خطر بسبب الكابلات التالفة! في حالة تلف كابل الكهرباء أو كابل الإطالة أثناء العمل، قم على الفور بفصل الجهاز والكابل عن التيار الكهربائي. لا تلمس الموضع التالف! ◀ احرص بشكل منتظم على فحص جميع أسلاك التوصيل. قم باستبدال كابل الإطالة التالف. احرص على تغيير الأسلاك الكهربائية التالفة بمعرفة فني معتمد.

ينصح بصفة أساسية باستخدام مفتاح حماية من تسرب التيار (RCD) بتيار إطلاق 30 ميلي أمبير كحد أقصى.

1.7 شفاط الغبار

يعمل شفاط الغبار على تقليل درجة التلوث بالغبار ورفع درجة الأمان أثناء العمل من خلال توفير رؤية أفضل للقطع، كما يمنع زيادة تلوث مكان العمل بسبب الغبار والنشارة.



1. قم بتركيب الغطاء الواقي. ← صفحة 120



2. قم بتوصيل مهائئ الشفط وتجهيزه الشفط، في حالة قيامك لفترات طويلة نسبياً بالعمل في الأخشاب أو خامات قد ينتج عنها نسبة عالية من تركيز الغبار.

2.7 التشغيل 10

1. اضغط على مفتاح التشغيل/الإيقاف.
2. لغرض تثبيت المفتاح، اضغط بعد ذلك على زر التثبيت.
3. لغرض تحرير القفل، اضغط على مفتاح التشغيل/الإيقاف مُجدداً.

3.7 النشر الغاطس

1. اضبط ذراع وضع ضبط الأشواط البندولية على الوضع 0.
2. ضع المنتج بالحافة الأمامية لقاعدة الارتكاز على قطعة الشغل.
3. أمسك المنتج واضغط على مفتاح التشغيل/الإيقاف.
4. اضغط المنتج جيداً باتجاه قطعة الشغل ثم اغرس من خلال تقليل زاوية الشغل.
5. إذا قمت بعمل مسار قطع بقطعة الشغل، فقم بإرجاع المنتج إلى وضع العمل العادي.
 - ◀ قاعدة الارتكاز مستقرة بكامل مساحتها.
6. واصل عملية النشر بطول خط القطع.

4.7 الإيقاف

- ◀ اترك مفتاح التشغيل/الإيقاف.

8 الفك

⚠ احترس:

- ◀ **خطر الإصابة!** تشغيل الجهاز بشكل غير مقصود.
- ◀ اسحب القابس الكهربائي، قبل إجراء عمليات ضبط الجهاز أو تغيير أجزاء الملحقات.

تراجعى إرشادات الأمان والإرشادات التحذيرية الواردة في هذا المستند وعلى الجهاز.

1.8 فك مهائئ الشفط 11

1. اضغط على خطافي التأمين للداخل.
2. اخلع مهائئ الشفط من قاعدة الارتكاز بسحبه للخلف.
3. اخلع خرطوم شفط الأتربة من مهائئ الشفط.

2.8 خلع الغطاء الواقي 12

- ◀ قم بإزالة الغطاء الواقي بعض الشيء واجذبه للأمام لخلعه.

3.8 إخراج شفرة المنشار 13

⚠ تحذير

- ◀ **خطر الإصابة.** إخراج شفرة المنشار بشكل خارج عن السيطرة يمكن أن يؤدي لحدوث إصابات.
- ◀ حافظ على المنتج عند إخراج شفرة المنشار بحيث لا يؤدي إخراج شفرة المنشار إلى إصابة أي إنسان أو حيوان.

1. اسحب القابس الكهربائي من المقبس.
2. اضغط ذراع تحرير شفرة المنشار إلى الجانب حتى النهاية.
 - ◀ يتم تحرير شفرة المنشار وإخراجها.



تحذير 

خطر بسبب حدوث صدمة كهربائية إجراء أعمال العناية والصيانة بينما القابس الكهربائي مركب قد يتسبب في إصابات بالغة والإصابة بحروق.

أحرص على سحب القابس الكهربائي قبل جميع أعمال الإصلاح والعناية!

العناية

- قم بإزالة الاتساخ الملتصق بحرص.
- قم بتنظيف فتحات التهوية بحرص باستخدام فرشاة جافة.
- نظف جسم الجهاز باستخدام قطعة قماش مبللة بعض الشيء. لا تستخدم مواد عناية تحتوي على السيليكون لما قد تتسبب فيه من الإضرار بالأجزاء البلاستيكية.

الصيانة

تحذير 

خطر الصعق الكهربائي! قد تؤدي أعمال الصيانة التي تتم على الأجزاء الكهربائية بشكل غير سليم إلى حدوث إصابات خطيرة وإصابة بحروق.

لا يجوز إجراء إصلاحات على الأجزاء الكهربائية إلا من خلال متخصصين في الكهرباء.

- افحص جميع الأجزاء المرئية من حيث وجود أضرار وافحص عناصر الاستعمال من حيث كفاءتها الوظيفية.
- في حالة وجود أضرار و/أو اختلالات وظيفية لا تقم بتشغيل المنتج. احرص على الفور على إصلاحه لدى مركز خدمة Hilti.
- بعد أعمال العناية والإصلاح قم بتركيب جميع تجهيزات الحماية وافحصها من حيث الأداء الوظيفي.



للتشغيل الآمن اقتصر على استخدام قطع الغيار الأصلية وخامات الشغل. تجد قطع الغيار وخامات الشغل والملحقات المصراع بها من قبلنا للمنتج الخاص بك في متجر **Hilti Store** أو على موقع الإنترنت: www.hilti.group

1.9 تنظيف وصلة مهايئ الشفط

1. اسحب القابس الكهربائي من المقبس.
2. اخلع خرطوم شفط الغبار من مهايئ الشفط.
3. قم بفك مهايئ الشفط. - صفحة 121
4. قم بتنظيف مهايئ الشفط.
5. تأكد من عدم وجود أضرار بخطاف التأمين.
6. قم بتركيب مهايئ شفط. - صفحة 120

2.9 تنظيف شفرات المنشار

1. احرص بصفة منتظمة على إزالة رواسب الراتينج من شفرات المنشار المستخدمة.
2. ضع شفرات المنشار لمدة 24 ساعة في الكيروسين أو أحد مذيبات الراتينج المتوفرة في الأسواق.

10 النقل والتخزين

النقل

- لا تنقل المنتج بينما الأداة مدخلة فيه.
- تأكد من الثبات الآمن أثناء النقل.
- احرص على فحص الأجزاء المرئية من حيث وجود أضرار بعد كل عملية نقل وافحص عناصر الاستعمال من حيث كفاءتها الوظيفية.

التخزين

- احرص دائما عند تخزين المنتج على سحب القابس الكهربائي.
- قم بتخزين هذا المنتج وفي حالة جافة واحتفظ به بعيدا عن تناول الأطفال والأشخاص غير المصرح لهم.
- احرص على فحص الأجزاء المرئية من حيث وجود أضرار بعد النقل لمسافة طويلة وافحص عناصر الاستعمال من حيث كفاءتها الوظيفية.



عند حدوث اختلالات غير مذكورة في الجدول أو يتعذر عليك معالجتها بنفسك، فيرجى التوجه إلى مركز خدمة Hilti.

الخلل	السبب المحتمل	الحل
شفرة المنشار تسقط.	شفرة المنشار مثبتة بشكل غير صحيح.	<ul style="list-style-type: none"> أعد إجراء عملية الشد. يُراعى أن يكون طرف تركيب الأدوات مفتوحاً تماماً، وأن تكون شفرة المنشار مضغوطة باتجاه المقاومة.
	نظام الشد به اتساخات.	<ul style="list-style-type: none"> قم بتنظيف طرف تركيب الأدوات.
يتعذر تمرير شفرة المنشار.	نظام الشد به اتساخات.	<ul style="list-style-type: none"> قم بتنظيف طرف تركيب الأدوات.
يتعذر ضبط المركبة البندولية.	حز ذراع الأشواط البندولية به اتساخات.	<ul style="list-style-type: none"> قم بتنظيف حز ذراع الأشواط البندولية من الاتساخات.
المركبة البندولية لا تعمل.	آلية المركبة البندولية مُتسخة.	<ul style="list-style-type: none"> افحص ما إذا كان هناك اتساخات في نطاق الشوكة البندولية، قم بإزالة هذه الاتساخات.
	ذراع الأشواط البندولية في الوضع "0".	<ul style="list-style-type: none"> اضبط القيمة المرغوبة.
تصبح الأداة الكهربائية ساخنة جداً.	خطأ كهربائي.	<ul style="list-style-type: none"> أوقف الجهاز على الفور وانزع كابل الكهرباء. اترك الجهاز يبرد وتوجه إلى مركز خدمة Hilti.

12 التكيب

أجهزة Hilti مصنوعة بنسبة كبيرة من مواد قابلة لإعادة التدوير. يشترط لإعادة التدوير أن يتم فصل الخامات بشكل سليم فنياً. في العديد من الدول تقوم شركة Hilti باستغلال الأجهزة القديمة لإعادة تدويرها. وللعلامات حول ذلك اتصل بخدمة عملاء Hilti أو الموزع القريب منك.

لا تلق الأدوات الكهربائية، الأجهزة الإلكترونية والبطاريات ضمن القمامة المنزلية!


13 مواصفة RoHS (مواصفة تقييد استخدام المواد الخطيرة)

تجد جدولاً بالمواد الخطرة في الروابط التالية: qr.hilti.com/r5212956
تجد رابطاً بخصوص جدول RoHS في نهاية هذا المستند ككود QR.

14 ضمان الجبة الصانعة

في حالة وجود أية استفسارات بخصوص شروط الضمان، يرجى التوجه إلى وكيل Hilti المحلي الذي تتعامل معه.



オリジナル取扱説明書

1 文書について

1.1 本書について

- ご使用前に本書をすべてお読みください。このことは、安全な作業と問題のない取扱いのための前提条件となります。
- 本書および製品に記載されている安全上の注意と警告表示に注意してください。
- 取扱説明書は常に製品とともに保管し、他の人が使用する場合には、製品と取扱説明書を一緒にお渡しください。

1.2 記号の説明

1.2.1 警告表示

警告表示は製品の取扱いにおける危険について警告するものです。以下の注意喚起語が使用されています：



危険

危険！

- ▶ この表記は、重傷あるいは死亡事故につながる危険性がある場合に注意を促すために使われます。



警告

警告！

- ▶ この表記は、重傷あるいは死亡事故につながる可能性がある場合に注意を促すために使われます。



注意

注意！

- ▶ この表記は、軽傷あるいは物財の損傷が発生する可能性がある場合に使われます。

1.2.2 本書の記号

本書では、以下の記号が使用されています：

	使用前に取扱説明書をお読みください
	本製品を効率良く取り扱うための注意事項や役に立つ情報
	リサイクル可能な部品の取扱い
	工具およびバッテリーを一般ゴミとして廃棄してはなりません

1.2.3 図中の記号

図中では以下の記号が使用されています：

2	この数字は本取扱説明書冒頭にある該当図を示しています
3	付番は図中の作業手順の順序に対応していて、本文の作業手順とは一致しない場合があります
11	概要図には項目番号が付されていて、製品概要セクションの凡例の番号に対応しています
	この記号は、製品の取扱いの際に特に注意が必要なことを示しています。

1.3 製品により異なる記号

1.3.1 製品に表示されている記号

製品には以下の記号が使用されています：

n_0	無負荷ストローク速度
-------	------------





1.4 製品情報

製品はプロ仕様で製作されており、その使用、保守、修理を行うのは、認定を受けトレーニングされた人のみに限ります。これらの人は、遭遇し得る危険に関する情報を入手していなければなりません。本書で説明している製品およびそのアクセサリーのトレーニングを受けていない者による誤使用、あるいは規定外の使用は危険です。

機種名および製造番号は銘板に表示されています。

- ▶ 製造番号を以下の表に書き写しておいてください。本製品についてヒルティ代理店やサービスセンターへお問い合わせの際には、必ずこの情報をお知らせください。
- ▶ 製造番号を以下の表に書き写しておいてください。本製品についてヒルティ代理店やサービスセンターへお問い合わせの際には、必ずこの情報をお知らせください。

製品データ

オービタルジグソー	SJD 6
製品世代	01
製造番号	

1.5 適合宣言

当社は、単独の責任において本書で説明している製品が有効な基準と標準規格に適合していることを宣言します。適合宣言書の複写は本書の末尾にあります。

技術資料は本書の後続の頁に記載されています：

Hilti Entwicklungsgesellschaft mbH | Zulassung Geräte | Hiltistraße 6 | 86916 Kaufering, DE

2 安全

2.1 電動工具の一般安全注意事項

⚠ 警告事項 本電動工具に付属のすべての安全上の注意、指示事項、図、および製品仕様をお読みください。以下の指示を守らないと、感電、火災および / または重傷事故の危険があります。

安全上の注意および指示事項が書かれた説明書はすべて大切に保管してください。

安全上の注意で使用する用語「電動工具」とは、お手持ちの電動ツール（電源コード使用）またはバッテリーツール（コードレス）を指します。

作業環境に関する安全

- ▶ 作業場はきれいに保ち、十分に明るくしてください。ちらかった暗い場所での作業は事故の原因となります。
- ▶ 爆発の危険性のある環境（可燃性液体、ガスおよび粉じんのある場所）では電動工具を使用しないでください。電動工具から火花が飛散し、粉じんや揮発性ガスに引火する恐れがあります。
- ▶ 電動工具の使用時、子供や無関係者を作業場へ近づけないでください。作業中に気がそらされると、本体のコントロールを失ってしまう恐れがあります。

電気に関する安全注意事項

- ▶ 電動工具の接続プラグは電源コンセントにきちんと適合しなければなりません。プラグは絶対に変更しないでください。保護接地した電動工具と一緒にアダプタープラグを使用しないでください。オリジナルのプラグと適切なコンセントを使用することにより、感電の危険を小さくすることができます。
- ▶ パイプ、ラジエーター、電子レンジ、冷蔵庫などのアースされた面に体の一部が触れないようにしてください。体が触れると感電の危険が大きくなります。
- ▶ 電動工具を雨や湿気から保護してください。電動工具に水が浸入すると、感電の危険が大きくなります。
- ▶ 電動工具を持ち運んだり、吊り下げたり、コンセントからプラグを抜いたりするときは、必ず本体を持ち、電源コードを持ったり引っ張ったりしないでください。電源コードを火気、オイル、鋭利な刃物、可動部等に触れる場所に置かないでください。電源コードが損傷したり絡まったりしていると、感電の危険が大きくなります。
- ▶ 屋外工事の場合には、必ず屋外専用の延長コードを使用してください。屋外専用の延長コードを使用すると、感電の危険が小さくなります。
- ▶ 湿った場所で電動工具を動作させる必要がある場合は、漏電遮断器を使用してください。漏電遮断器を使用すると、感電の危険が小さくなります。



作業者に関する安全

- ▶ 電動工具を使用の際には、油断せずに十分注意し、常識をもった作業をおこなってください。疲れている場合、薬物、医薬品服用およびアルコール飲用による影響下にある場合には電動工具を使用しないでください。電動工具使用中の一瞬の不注意が重傷の原因となることがあります。
- ▶ 個人用保護具および保護メガネを常に着用してください。負傷の危険を低減するために、電動工具の使用状況に応じた粉じんマスク、耐滑性の安全靴、ヘルメット、耳栓などの個人用保護具を着用してください。
- ▶ 電動工具の意図しない始動を防止して下さい。電動工具を電源および / またはバッテリーに接続する前や本体を持ち上げたり運んだりする前に、本体がオフになっていることを必ず確認してください。オン / オフスイッチが入っている状態で電動工具のスイッチに指を掛けたまま運んだり、電源に接続したりすると、事故の原因となる恐れがあります。
- ▶ 電動工具のスイッチを入れる前に、必ず調節キーやレンチを取り外してください。調節キーやレンチが本体の回転部に装着されたままでは、けがの原因となる恐れがあります。
- ▶ 作業中は不安定な姿勢をとらないでください。足元を安定させ、常にバランスを保つようにしてください。これにより、万一電動工具が異常状況に陥った場合にも、適切な対応が可能となります。
- ▶ 作業に適した作業着を着用してください。だぶだぶの衣服や装身具を着用しないでください。髪、衣服、手袋を本体の可動部に近づけないでください。だぶだぶの衣服、装身具、長い髪が可動部に巻き込まれる恐れがあります。
- ▶ 吸じんシステムの接続が可能な場合には、これらのシステムが適切に接続、使用されていることを確認してください。吸じんシステムを利用することにより、粉じん公害を防げます。
- ▶ 電動工具の取扱いに熟練している場合にも、正しい安全対策を遵守し、電動工具に関する安全規則を無視しないでください。不注意な取扱いは、ほんの一瞬で重傷事故を招くことがあります。

電動工具の使用および取扱い

- ▶ 無理のある使用を避けてください。作業用途に適した電動工具を使用してください。適切な電動工具の使用により、能率よく、スムーズかつ安全な作業が行えます。
- ▶ スイッチが故障している場合には、電動工具を使用しないでください。スイッチで始動および停止操作のできない電動工具は危険ですので、修理が必要です。
- ▶ 本体の設定やアクセサリーの交換を行う前や本体を保管する前には電源プラグをコンセントから抜き、および / または脱着式のバッテリーを取り外してください。この安全処置により、電動工具の意図しない始動を防止することができます。
- ▶ 電動工具をご使用にならない場合には、子供の手の届かない場所に保管してください。電動工具に関する知識のない方、本説明書をお読みでない方による本体のご使用は避けてください。未経験者による電動工具の使用は危険です。
- ▶ 電動工具とアクセサリーは慎重に手入れしてください。可動部分が引っ掛かりなく正常に作動しているか、電動工具の運転に影響を及ぼす各部分が破損・損傷していないかを確認してください。電動工具をご使用になる前に、損傷部分の修理を依頼してください。事故の多くは保守管理の不十分な電動工具の使用が原因となっています。
- ▶ 先端工具は鋭利で汚れのない状態を保ってください。お手入れのゆきとどいた先端工具を使用すると、作業が簡単かつ、スムーズになります。
- ▶ 電動工具、アクセサリー、先端工具などは、それらの説明書に記載されている指示に従って使用してください。その際は、作業環境および用途についてもご注意ください。指定された用途以外に電動工具を使用すると危険な状況をまねく恐れがあります。
- ▶ グリップとグリップ面は乾燥した清潔な状態に保ち、オイルやグリスの付着がないようにしてください。グリップやグリップ面が滑りやすい状態になっていると、予期していない状況が発生した際に電動工具を安全に使用 / 制御できません。

サービス

- ▶ 電動工具の修理は必ず認定サービスセンターにお申し付けください。また、必ず純正部品を使用してください。これにより電動工具の安全性が確実に維持されます。

2.2 往復運動するソーブレードによる切断に関する安全上の注意

- ▶ 隠れた電線や装置自体の電源コードに先端工具が接触する可能性のある作業を行う場合は、電動工具の絶縁されたグリップを持ってください。通電しているケーブルと接触すると、本体の金属部分にも電圧がかかり、感電の危険があります。
- ▶ 工具はクランプ、あるいはその他の方法で安定した土台に確実に固定してください。作業材料を手あるいは体で保持しようとすると不安定さが残り、コントロールを失う危険があります。



2.3 その他の安全上の注意

作業者に関する安全

- ▶ 本体は、必ず技術的に問題のない状態で使用してください。
- ▶ 本体は決して加工や改造を加えないでください。
- ▶ 本体は、常に両手でグリップを掴んでしっかりと保持してください。グリップは乾燥した清潔な状態を保ってください。
- ▶ 本体の使用中は、適切な保護メガネ、耳栓および保護手袋を着用してください。
- ▶ 先端工具を交換する際には保護手袋を着用してください。先端工具に触れると、切創事故や火傷の原因となることがあります。
- ▶ アイシールドを着用してください。破片が身体の一部、眼などを傷つけることもあります。
- ▶ 作業開始前に、作業場で発生する粉じんの危険有害度を調査してください。公的に承認された保護等級および地域の粉じんに関する規定を満たした工業用集じん機を使用してください。
- ▶ 作業場の良好な換気に注意し、必要に応じてそれぞれの粉じんに適した防じんマスクを着用してください。作業者や近くにいる人が粉じんに触れたり吸い込んだりすると、アレルギー反応や呼吸器疾患を起す可能性があります。カシヤブナ材などの特定の粉じんは、特に木材処理用の添加剤（クロム塩酸、木材保護剤）が使用されている場合、発ガン性があるとされています。アスベストが含まれる母材は、必ず専門家が取り扱うようにしてください。
- ▶ 休憩を取って、指を動かして血行を良くするように心がけてください。長時間作業の際には、振動により指、手あるいは手首の関節の血管あるいは神経系に障害が発生する可能性があります。

電気に関する安全注意事項

- ▶ 作業を開始する前に、作業領域に埋設された電線、ガス管や水道管がないかを調査してください。誤って電線を損傷すると、本体外側の金属部分により感電事故が発生する可能性があります。

電動工具の慎重な取扱いおよび使用

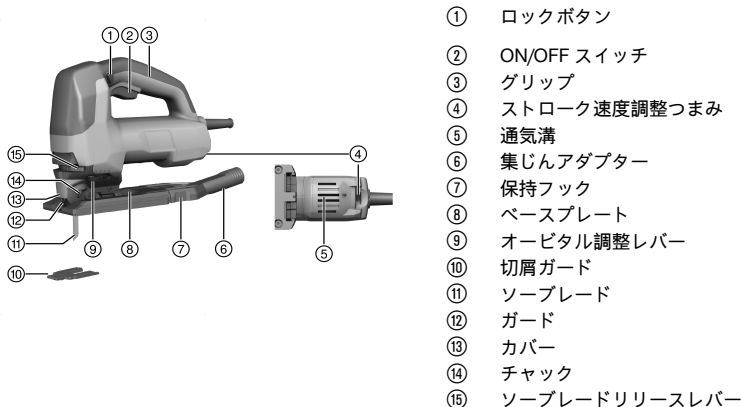
- ▶ 作業材料を固定します。作業材料は、手だけで固定するよりクランプまたは万力を使用したほうがより確実に固定されます。

ジグソー特有の安全上の注意

- ▶ 切断時には必ず本体を身体から離すように操作してください。
- ▶ 決してソーブレードの前に手を差し出したり、ソーブレードに触れたりしないでください。
- ▶ 未知の母材には決して切断を行わないでください。切断ラインの上部および下部に障害物がないようにしてください。
- ▶ 切断中は、作業材料の下部を掴まないでください。

3 製品の説明

3.1 製品概要



3.2 正しい使用

本書で説明している製品は、手持ち式の電動オービタルジグソーです。本製品は、プラスチック、木材、金属、石膏ボードおよびファイバーボードを切断するためのものです。



本製品には、オプションの集じん機用の取外し可能な接続ピースが装備されています。これは市販の集じん機ホースに対応しています。吸じんホースを本体と接続するには、適切なアダプターが必要になる場合があります。

必ず、銘板に表示されている電源電圧および電源周波数で動作させてください。

▶ 本製品には、必ずTシャンク（ジグソーブレードホルダー）付きソーブレードを使用してください。

3.3 考えられる誤った使用

- 本製品は木の枝や丸太の切断には使用できません。
- 本製品は、健康を損なう危険のある母材には使用できません。
- 本製品は、湿気の多い環境での作業には使用できません。

3.4 切屑ブロー

切屑ブローでソーブレードにエアを吹きつけ、切断ラインから切屑を取り除きます。

3.5 ストローク速度

ストローク速度は調整つまみで調整することができます。位置 1 は毎分 800 ストローク、位置 6 は毎分 3000 ストロークとなります。

ON/OFF スイッチを押しした強さにより、ストローク速度は毎分 75 ストロークから始めて調整つまみで設定したストローク速度まで上昇します。

3.6 4段階のオービタル

4段階のオービタル設定により、切断能力と切断の質を母材に合わせるすることができます。オービタル調整レバーを使用して、ストローク速度を4つの段階のいずれかに設定します。

カッティングエッジよりきれいにきめ細かくするには、オービタル設定を低くしてください。テスト切断を行って最適な設定を決めてください。

状態	意味
段階 0	オービタル機能オフ
段階 1	オービタル低
段階 2	オービタル中
段階 3	オービタル高

3.7 ロックボタン

ロックボタンには3つの位置があります。

1. 中立の位置が通常の位置です。ロックボタンは、左または右側にすることができます。たとえばストローク速度を調整できます。
ON/OFF スイッチには、押しした位置と放した位置があります。
2. ロックボタンは必ず左側：トランスポートロック位置（本体は始動しません）。
ON/OFF スイッチはロックされ、押すことができません。
3. ロックボタンは必ず右側：本体をオンにした後（ON/OFF スイッチが完全に押されている）、「オン」位置をロックするためにロックボタンを右へ押すことができます。ロックを解除するには、ON/OFF スイッチを改めて押してください。

3.8 切屑ガード

本製品には切屑ガードを装備することができます。

切屑ガードにより、木材を切断する際に表面から切屑が飛散するのを防止します。

3.9 本体標準セット構成品

ソーブレード付きオービタルジグソー、カバー、集じんアダプター、切屑ガード、取扱説明書、アレンレンチ。その他の本製品用に許可されたシステム製品については、弊社営業担当またはHilti センターにお問い合わせいただくか、あるいはwww.hilti.com でご確認ください。



4 製品仕様

4.1 オービタルジグソー

i 発電機または変圧器を使用しての作業の場合は、それらは本体の銘板に記載されている定格電力より2倍以上大きな出力がなければなりません。変圧器または発電機の作動電圧は、常に本体の定格電圧の+5 %...-15 %の範囲になければなりません。
値は230 Vの定格電圧に対するものです。電圧の違いおよび国別仕様の相違により値は異なります。銘板に記載されている定格電圧と周波数、および定格電力または定格電流を確認してください。

	SJD 6
定格電力	850 W
重量 (EPTA プロシージャ 01 準拠)	2.4 kg
無負荷ストローク速度	80/min ... 3,000/min
ストローク長	28 mm
最大切断能力 (木材)	150 mm
最大切断能力 (アルミニウム)	25 mm
最大切断能力 (非合金鋼)	10 mm
切り込み角度 (左 / 右)	0°、15°、30°、45°
集じんアダプターの外径	27.5 mm

4.2 騒音および振動値について (EN 62841 準拠)

本説明書に記載されているサウンドプレッシャー値および振動値は、規格に準拠した測定方法に基づいて測定したものです。電動工具を比較するのにご使用いただけます。曝露値の暫定的な予測にも適しています。記載されているデータは、電動工具の主要な使用方法に対する値です。電動工具を他の用途で使用したり、異なる先端工具を取り付けて使用したり、手入れや保守が十分でないまま使用した場合には、データが異なることがあります。このような相違により、作業時間全体で曝露値が著しく高くなる可能性があります。曝露値を正確に予測するためには、本体のスイッチをオフにしている時間や、本体が作動していても実際には使用していない時間も考慮しなければなりません。このような相違により、作業時間全体で曝露値が著しく低くなる可能性があります。

作業者を騒音および / または振動による作用から保護するために、他にも安全対策を立ててください (例 : 電動工具および先端工具の手入れや保守、手を冷やさないようにする、作業手順の編成)。

騒音排出値

	SJD 6
サウンドパワーレベル (L_{WA})	100.5 dB(A)
サウンドパワーレベルの不確実性 (K_{WA})	5 dB(A)
サウンドプレッシャーレベル (L_{pA})	89.5 dB(A)
サウンドプレッシャーレベルの不確実性 (K_{pA})	5 dB(A)

合計振動値

	SJD 6
排出振動値 (板材切断) ($a_{h,B}$)	9.7 m/s ²
排出振動値 (金属板切断) ($a_{h,M}$)	8.0 m/s ²
不確実性 (K)	1.5 m/s ²

5 延長コードを使用する場合

警告

損傷したコードによる危険！ 作業中に電源コードまたは延長コードを損傷した場合は、コードに触れないでください。不意に始動しないように電源プラグをコンセントから抜きます。

- ▶ 本体の電源コードを定期的な点検し、コードに損傷がある場合は認定を受けた修理スペシャリストに交換させてください。



- 使用目的に応じて、十分な導体断面積をもつ適切な延長コードのみを使用してください。そうしないと、本体の出力低下やコードの過熱が発生することがあります。
- 延長コードに損傷がないか定期的に点検してください。
- 損傷した延長コードは交換してください。
- 屋外工事の場合には、認可マーク付きの専用延長コードのみを使用してください。

本書の最終ページに、推奨最低導体断面積とコード長に関する QR コードがあります。

6 作業準備

注意

負傷の危険！ 製品は意図せず作動することがあります。

- ▶ 本体の設定やアクセサリーの交換を行う前に電源プラグを抜いてください。

本書および製品に記載されている安全上の注意と警告表示に注意してください。

6.1 ソープレードを装着する

1. 電源プラグをコンセントから抜きます。
2. ソープレードをブレードホルダーに押し込み（歯を切断方向に向ける）かみ合わせます。
3. ソープレードを引っ張り、しっかりと固定されているか確認します。

6.2 カバーを取り付ける

- ▶ カバーを本体の前にあてがいがいながら、ロック音されるまで挿入します。

6.3 集じんアダプターを取り付ける

1. 両方の保持フックの側方がロックされるまで、集じんアダプターを後方からベースプレートへとスライドさせます。
2. 集じん機のホースを集じんアダプターに接続します。

6.4 オービタルを調整する

1. オービタルは、それぞれのソープレードの要件を確認して正しく調整してください。
2. オービタル調整レバーを4段階→頁 128 のいずれかに設定してください。

6.5 ストローク速度を設定する

ストローク速度は、それぞれのソープレードの要件を確認して正しく設定してください。

- ▶ 調整つまみでストローク速度を 1（低）から 6（高）のいずれかに設定します。

6.6 切り込み角度を調整する

1. 集じんアダプターを取り外します。→ 頁 131
2. クランピングレバーを後方に 90° 回します。
3. 希望の切り込み角度（0°、15°、30° または 45°）に調整します。
4. クランピングレバーを前方に 90° 回します。
 - ▶ ベースプレートにテンションがかかります。
5. 集じんアダプターを取り付けます。→ 頁 130

6.7 切屑ガードを取り付ける

切屑ガードは、それに対応したソープレードにのみ使用できます。

1. 電源プラグをコンセントから抜きます。



2. 切屑ガードを下からベースプレートに押し込みます。

7 作業

警告

損傷したコードによる危険！ 作業中に電源コードまたは延長コードを損傷した場合は、本体とコードを直ちに電源との接続を解除してください。故障箇所には触れないでください！

- ▶ すべての接続コードを定期的に点検してください。故障している延長コードは交換してください。損傷している電源コードは認定を受けた修理スペシャリストに交換を依頼してください。

原則として、作動電流が最大 30 mA の漏電遮断器 (RCD) をご使用になるよう推奨します。

7.1 集じん装置



集じん装置は粉じんによる負荷を低減し、切断ラインが良く見えるようにして作業の安全性を高め、作業場に撒き散らされる粉じんや切屑の量を大幅に減らします。

1. カバーを取り付けます。→ 頁 130
2. 比較的長い時間にわたって木材やその他の母材を加工する作業で、粉じんがかなり多く出ることが予想される場合は、集じんアダプターと集じん装置を接続してください。

7.2 スイッチオン

1. ON/OFF スイッチを押します。
2. スイッチをロックするには、続いてロックボタンを左に押します。
3. ロックを解除するには改めて ON/OFF スイッチを押してください。

7.3 ブランジソーイング

1. オービタル調整レバーを 0 位置にセットします。
2. 本体のベースプレートの前端を作業材料に当てます。
3. 本体を保持して、ON/OFF スイッチを押します。
4. 本体を作業材料にしっかりと押し付け、本体を母材の方に傾けながらブランジを開始します。
5. 作業材料を貫通したなら、本体を通常の作業位置にします。
 - ▶ ベースプレートの面全体を接触させます。
6. 切断ラインに沿って切断を続けます。

7.4 スイッチオフ

- ▶ ON/OFF スイッチから指を放します。

8 取り外し

注意

負傷の危険！ 製品は意図せず作動することがあります。

- ▶ 本体の設定やアクセサリーの交換を行う前に電源プラグを抜いてください。

本書および製品に記載されている安全上の注意と警告表示に注意してください。

8.1 集じんアダプターを取り外す

1. 両方の保持フックを内側へ押します。
2. 集じんアダプターをベースプレートから後方へ引き抜きます。
3. 吸じんホースを集じんアダプターから引き抜きます。

8.2 カバーを取り外す

- ▶ カバーを軽く曲げて前方へ引き出します。



8.3 ソーブレードを交換する

警告

負傷の危険。ソーブレードが意図せずに外れて負傷の原因となることがあります。

- ▶ ソーブレードを交換する場合は、ソーブレードが外れる際に人や動物を傷つけることのないように本体を保持してください。

1. 電源プラグをコンセントから抜きます。
2. ソーブレードリリースレバーをストップ位置まで側方へ押しします。
 - ▶ ソーブレードがロック解除されて外れます。

9 手入れと保守

警告

感電による危険！ 電源プラグをコンセントに接続した状態で手入れや保守を行うと、重傷事故および火傷の危険があります。

- ▶ 手入れや保守作業の前に、必ず電源プラグをコンセントから抜いてください。

手入れ

- 強固に付着した汚れは慎重に除去してください。
- 通気溝を乾いたブラシで入念に清掃してください。
- ハウジングは必ず軽く湿らせた布で清掃してください。シリコンを含んだ清掃用具はプラスチック部品をいためる可能性があるので使用しないでください。

保守

警告

感電による危険！ 電気部品の誤った修理は、重傷事故および火傷の原因となることがあります。

- ▶ 電気部品の修理を行うことができるのは、訓練された修理スペシャリストだけです。
- 目視確認可能なすべての部品について損傷の有無を、操作エレメントについては問題なく機能することを定期的に点検してください。
- 損傷および / または機能に問題のある場合は、本製品を使用しないでください。直ちに **Hilti** サービスセンターに修理を依頼してください。
- 手入れおよび保守作業の後は、すべての安全機構を取り付けて機能を点検してください。

注意

安全な作動のために、必ず純正のスペアパーツと消耗品を使用してください。本製品向けに弊社が承認したスペアパーツ、消耗品およびアクセサリは、弊社営業担当または **Hilti Store** にお問い合わせいただくか、あるいは www.hilti.group。

9.1 集じんアダプターを清掃する

1. 電源プラグをコンセントから抜きます。
2. 集じん機のホースを集じんアダプターから取り外します。
3. 集じんアダプターを取り外します。→ 頁 131
4. 集じんアダプターを清掃します。
5. 保持フックに損傷がないか確認してください。
6. 集じんアダプターを取り付けます。→ 頁 130

9.2 ソーブレードを清掃する

1. 使用したソーブレードから付着した樹脂を定期的に取り除きます。
2. ソーブレードを 24 時間石油、あるいは市販の樹脂リムーバーに浸します。

10 搬送および保管

搬送

- ▶ 本製品は先端工具を装着した状態で搬送しないでください。
- ▶ 搬送の際に確実に固定されているか確認してください。



- ▶ 搬送の後にはその都度、目視確認可能なすべての部品について損傷の有無を、操作エレメントについて問題なく機能することを点検してください。

保管上の注意事項

- ▶ 本製品は、必ず電源プラグを抜いた状態で保管してください。
- ▶ 本製品は、乾燥している場所に、子供や権限のない人が手を触れることのないようにして保管してください。
- ▶ 長期にわたっての保管の後には、目視確認可能なすべての部品について損傷の有無を、操作エレメントについて問題なく機能することを点検してください。

11 故障時のヒント

この表に記載されていない、あるいはご自身で解消することのできない故障が発生した場合には、弊社営業担当またはHilti サービスセンターにご連絡ください。

故障	考えられる原因	解決策
ソーブレードが脱落する。	ソーブレードが正しくロックされていない。	<ul style="list-style-type: none"> ▶ ロック手順を繰り返す。 ▶ ブレードホルダーが完全に開いていて、ソーブレードを抵抗感に抗して押し込むことに注意。
	クランプシステムが汚れている。	▶ ブレードホルダーを清掃する。
ソーブレードを装着できない。	クランプシステムが汚れている。	▶ ブレードホルダーを清掃する。
オービタルを調整できない。	オービタルレパーの溝が汚れている。	▶ オービタルレパーの溝から汚れを取り除く。
オービタル機能がない。	オービタル機構が汚れている。	▶ オービタルフォーク領域を点検し、汚れがあれば取り除く。
	オービタルレパーが「0」位置。	▶ レパーを希望の値に設定する。
電動工具は非常に熱くなっている。	電氣的故障。	<ul style="list-style-type: none"> ▶ 本体の電源を直ちにオフにして、電源コードを抜き取ってください。 ▶ 本体を冷まし、Hilti サービスセンターにご連絡ください。

12 廃棄

Hilti 製品の大部分の部品はリサイクル可能です。リサイクル前にそれぞれの部品は分別して回収されなければなりません。多くの国でHiltiは、古い電動工具をリサイクルのために回収しています。詳細については弊社営業担当またはHilti 代理店・販売店にお尋ねください。



- ▶ 電動工具、電子機器およびバッテリーを一般ゴミとして廃棄してはなりません！

13 RoHS (有害物質使用制限に関するガイドライン)

下記のリンクより、有害物質を記載した表を確認できます：qr.hilti.com/r5212956
本書の最終ページに RoHS 表にリンクした QR コードがあります。

14 メーカー保証

- ▶ 保証条件に関するご質問は、最寄りのHilti 代理店・販売店までお問い合わせください。



오리지널 사용 설명서

1 문서 관련 기재사항

1.1 본 문서에 대해

- 처음 사용하기 전에 본 문서 전체를 읽으십시오. 안전하게 작업하고 문제 없이 취급하기 위한 전제가 됩니다.
- 본 문서 및 제품에 나와 있는 안전 지침 및 경고 지침에 유의하십시오.
- 항상 제품에 있는 사용 설명서를 잘 보관하고 제품은 반드시 본 지침과 함께 다른 사람에게 전달하십시오.

1.2 기호 설명

1.2.1 경고사항

본 제품을 다루면서 발생할 수 있는 위험에 대한 경고사항. 다음과 같은 시그널 워드가 사용됩니다.



위험

위험!

- ▶ 이 기호는 직접적인 위험을 표시합니다. 만약 지키지 않으면 심각한 부상을 당하거나 사망할 수도 있습니다.



경고

경고!

- ▶ 이 기호는 잠재적인 위험을 표시합니다. 만약 지키지 않으면 심각한 부상을 당하거나 사망할 수도 있습니다.



주의

주의!

- ▶ 이 기호는 특별히 중요한 안전상의 주의사항을 표시합니다. 만약 지키지 않으면, 심각한 부상 또는 물적 손실을 입을 수 있습니다.

1.2.2 문서에 사용된 기호

본 문서에서 사용되는 기호는 다음과 같습니다.



사용하기 전에 사용설명서를 읽으십시오.



적용 지침 및 기타 유용한 사용정보



재사용이 가능한 자재 취급방법



전기 기기 및 배터리를 일반 가정의 쓰레기처럼 폐기해서는 안 됨

1.2.3 그림에 사용된 기호

다음과 같은 기호가 그림에 사용됩니다.

2

이 숫자는 본 설명서의 첫 부분에 있는 해당 그림을 나타냅니다.

3

매겨진 숫자는 작업 단계의 순서를 나타내며, 텍스트에 매겨진 작업 단계와 차이가 있을 수 있습니다.

11

항목 번호는 개요 그림에서 사용되며, 제품 개요 단락에 나와 있는 기호 설명 번호를 나타냅니다.



이 표시는 제품을 다룰 때, 특별히 주의할 사항을 나타냅니다.

1.3 제품 관련 기호

1.3.1 제품에 사용된 기호

다음과 같은 제품 기호가 사용됩니다.



n ₀	공회전 스크로크
	무선 데이터 전송

1.4 제품 정보

제품은 전문가용으로 설계되어 있으며, 해당 교육을 이수한 공인된 작업자를 통해서만 조작, 유지 보수 및 수리 작업을 진행할 수 있습니다. 해당 인력은 발생할 수 있는 위험에 대해 특별 교육을 받은 상태여야 합니다. 교육을 받지 않은 사람이 기술된 제품을 부적절하게 취급하거나 규정에 맞지 않게 사용할 경우에는 기기와 그 보조기구에 의해 부상을 당할 위험이 있습니다.

형식 명칭 및 일련 번호는 형식 라벨에 제시되어 있습니다.

- ▶ 일련 번호를 다음의 표에 옮기십시오. 대리점 또는 서비스 센터에 제품과 관련하여 문의할 경우 항상 상기 정보를 제시해주시십시오.
- ▶ 일련 번호를 다음의 표에 옮기십시오. 대리점 또는 서비스 센터에 제품과 관련하여 문의할 경우 항상 상기 정보를 제시해주시십시오.

제품 제원

직소	SJD 6
세대	01
일련 번호	

1.5 적합성 선언

폐사는 전적으로 책임을 지고 여기에 기술된 제품이 통용되는 기준과 규격에 일치함을 공표합니다. 적합성 증명서 사본은 본 문서 끝 부분에서 확인할 수 있습니다.

기술 문서는 이곳에 기술되어 있습니다.

Hilti Entwicklungsgesellschaft mbH | Zulassung Geräte | Hiltistraße 6 | 86916 Kaufering, DE

2 안전

2.1 전동 공구에 대한 일반적인 안전상의 주의사항

⚠ 경고 해당 전동 공구와 함께 동봉된 모든 안전상의 주의 사항, 지침, 그림 및 기술자료를 숙지하십시오. 다음과 같은 지침 내용을 준수하지 않으면 전기 충격, 화재가 발생하거나 그리고/또는 중상을 입을 수 있습니다. 앞으로 모든 안전상의 주의사항과 지침을 보관하십시오.

안전상의 주의사항에서 사용되는 "전동 공구"라는 개념은 전원에 연결하여 사용하는 전동 공구(전원 케이블 있음) 또는 배터리를 사용하는 전동 공구(전원 케이블 없음)를 의미합니다.

작업장 안전수칙

- ▶ 작업장을 항상 깨끗이 하고 조명이 잘 들도록 하십시오. 어수선한 작업환경 또는 어두운 작업장은 사고를 초래할 수 있습니다.
- ▶ 인화성 액체, 가스 또는 먼지가 있어 폭발 위험이 있는 환경에서는 전동 공구를 사용하지 마십시오. 전동 공구는 먼지나 증기를 점화시킬 수 있는 스파크를 일으킵니다.
- ▶ 전동 공구를 사용할 때, 어린이들이나 다른 사람들이 작업장에 접근하지 못하도록 하십시오. 다른 사람의 방해로 인해 기기를 통제하기 어렵습니다.

전기에 관한 안전수칙

- ▶ 전동 공구의 전원 플러그가 소켓에 잘 끼워져야 합니다. 플러그를 절대 변형시켜서는 안됩니다. 접지된 전동 공구와 함께 아답타 플러그를 사용하지 마십시오. 변형되지 않은 플러그와 적합한 소켓을 사용하면 감전의 위험을 줄일 수 있습니다.
- ▶ 파이프, 히터, 전기레인지, 냉장고와 같은 접지 표면에 신체 접촉을 피하십시오. 신체에 닿을 경우 감전될 위험이 높습니다.
- ▶ 전동 공구가 비에 맞지 않도록 하고 습한 장소에 두지 마십시오. 전동 공구에 물이 들어가면 감전될 위험이 높습니다.
- ▶ 전원 케이블만 잡고 전동 공구를 운반하거나 걸어 놓아서는 안되며, 소켓에서 전원 플러그를 빼낼 때 케이블만 잡은 채로 빼내지 마십시오. 전원 케이블이 열, 오일, 날카로운 모서리 또는 부품의 가동 부위에 접촉하지 않도록 주의하십시오. 손상되거나 서로 꼬인 전원 케이블은 감전 위험을 높입니다.
- ▶ 실외에서 전동 공구를 이용하여 작업할 때, 실외용으로 승인된 연장 케이블만 사용하십시오. 실외용 연장 케이블을 사용하면 감전의 위험을 줄여줍니다.



- ▶ 전동 공구를 습한 환경에서 사용하는 것을 피할 수 없을 경우, 누전 차단기를 사용하십시오. 누전 차단기를 사용하면 감전 위험을 줄일 수 있습니다.

사용자 안전수칙

- ▶ 신중하게 작업하십시오. 작업에 정신을 집중하고 전동 공구를 사용할 때 경솔하게 행동하지 마십시오. 피곤하거나 항정신성 약물, 술 또는 약을 복용시에는 전동 공구를 사용하지 마십시오. 전동 공구 사용 시 이에 유의하지 않을 경우 심각한 부상을 초래할 수 있습니다.
- ▶ 안전 장비를 갖추고 보안경을 착용하십시오. 전동 공구의 종류와 사용에 따라, 먼지 보호 마스크, 미끄럼 방지용 안전 신발, 안전모 또는 귀마개 등과 같은 안전한 보호장비를 착용하면 부상의 위험을 줄일 수 있습니다.
- ▶ 실수로 기기가 작동하지 않도록 주의하십시오. 전동 공구를 전원 그리고/또는 배터리에 연결하기 전, 보관 또는 운반 전에 전동 공구가 스위치 OFF 상태인지 확인하십시오. 전동 공구 운반 시 스위치에 손가락을 대거나 스위치가 켜진 상태에서 전원을 연결하면 사고를 유발할 수 있습니다.
- ▶ 전동 공구의 스위치를 켜기 전, 조정공구 또는 렌치를 제거하십시오. 기기 회전부에 남아있는 공구나 렌치로 인해 부상을 입을 수 있습니다.
- ▶ 작업 시 비정상적인 자세는 피하십시오. 안전한 작업자세가 되도록 하고, 항상 균형을 유지하십시오. 이렇게 하여 예기치 않은 상황에서도 전동 공구를 잘 제어할 수 있습니다.
- ▶ 적합한 작업복을 착용하십시오. 헐렁한 복장이나 장식품을 착용하지 마십시오. 작동하는 기기 가동 부위에 머리, 옷 그리고 장갑이 가까이 닿지 않도록 주의하십시오. 헐렁한 복장, 장식품 혹은 긴 머리가 가동 부위에 말려 들어갈 수 있습니다.
- ▶ 먼지 제거장치나 수거장치를 설치할 수 있는 기기의 경우, 이 장치들이 연결되어 있는지 그리고 제대로 작동되는지를 확인하십시오. 먼지 포집장치 사용은 먼지로 인한 위험을 줄여줄 수 있습니다.
- ▶ 이 전동 공구를 여러번 사용해왔다고 해서 안전하다고 안심하지 말고 전동 공구에 해당되는 안전 규칙을 무시하지 마십시오. 부주의하게 행할 경우 아주 짧은 순간에 중상을 입을 수 있습니다.

전동 공구의 취급과 사용

- ▶ 기기에 과부하가 걸리지 않도록 하십시오. 귀하의 작업에 적합한 전동 공구를 사용하십시오. 적합한 전동 공구를 사용하면, 지정된 성능 한도 내에서 더 효율적으로 안전하게 작업할 수 있습니다.
- ▶ 스위치가 고장난 전동 공구는 사용하지 마십시오. 스위치가 작동되지 않는 전동 공구는 위험하므로, 반드시 수리를 해야 합니다.
- ▶ 기기 세팅을 실행, 액세서리를 교환 또는 기기를 보관하기 전에 컨넥터를 전원소켓에서 그리고/또는 탈착식 배터리를 기기에서 빼놓으십시오. 이러한 조치는 실수로 전동 공구가 작동하지 않도록 방지합니다.
- ▶ 사용하지 않는 전동 공구는 어린이들의 손이 닿지 않는 곳에 보관하십시오. 기기 사용에 익숙치 않거나 또는 이 안전수칙을 읽지 않은 사람이 기기를 사용해서는 안 됩니다. 비숙련자가 전동 공구를 사용하면 위험합니다.
- ▶ 전동 공구 및 액세서리를 유의해서 관리하십시오. 기기의 가동 부위가 완벽하게 작동하는지, 끼어 있지 않은지, 혹은 부품이 손상되거나 파손되어 있어 전동 공구의 기능을 저하시키지 않는지 점검하십시오. 기기 사용 전 손상된 부품을 수리하도록 하십시오. 제대로 관리되지 않은 전동 공구는 많은 사고를 유발합니다.
- ▶ 절단기기는 날카롭고 깨끗하게 관리하십시오. 날카로운 절단면이 있고 잘 관리된 절단기기는 기이는 경우가 드물고 조절하기도 쉽습니다.
- ▶ 본 지침에 따라 전동 공구, 액세서리, 공구 비트 등을 사용하십시오. 이 때 작업 조건과 실시하려는 작업 내용을 고려하십시오. 원래 사용 분야가 아닌 다른 작업에 전동 공구를 사용할 경우, 위험한 상황을 초래할 수 있습니다.
- ▶ 손잡이 및 손잡이 표면은 건조하고 깨끗하게, 그리고 오일과 그리스가 묻어있지 않도록 해야 합니다. 미끄러운 손잡이 및 손잡이 표면은 예상치 못한 상황에서 전동 공구를 안전하게 조작하고 제어할 수 없습니다.

서비스

- ▶ 전동 공구는 반드시 자격을 갖춘 전문가에 의해 그리고 순정 대체부품만 이용하여 수리해야 합니다. 이렇게 하여 전동 공구의 안전성을 계속해서 유지할 수 있습니다.

2.2 톱날을 왕복으로 움직이는 절단 작업 관련 안전 지침

- ▶ 전동 공구가 숨겨진 전선이나 기기 자체의 연결 케이블과 접촉할 수 있는 작업을 할 경우, 항상 기기의 절연된 손잡이 부분을 잡으십시오. 전류가 흐르는 전선과 접촉하면 전동 공구의 금속 부위를 통해 감전이 될 수도 있습니다.
- ▶ 클램프를 이용하거나 또는 다른 방식으로 견고한 받침대에 고정시키십시오. 손이나 신체로 공작물을 지지하는 것은 불안정하고 제어하기 어려울 수 있습니다.

2.3 그 외의 안전상의 주의사항

사용자 안전수칙

- ▶ 기기는 기술적 하자가 없는 상태에서만 사용하십시오.
- ▶ 어떠한 경우에도 기기를 변조 또는 개조하지 마십시오.



- ▶ 항상 양 손으로 손잡이를 잡고 기기를 고정시키십시오. 손잡이는 건조하고 깨끗하게 유지하십시오.
- ▶ 기기를 사용하는 동안 적합한 보안경, 귀마개, 안전화를 착용해야 합니다.
- ▶ 공구 비트 교체 시 보호장갑을 착용하십시오. 공구 비트에 닿으면 부상을 입거나 화상을 당할 수 있습니다.
- ▶ 보안경을 착용하십시오. 재료의 파편으로 인해 눈 등 신체에 부상을 입을 수 있습니다.
- ▶ 작업을 시작하기 전, 작업 시 발생하는 먼지의 위험 등급을 알아보십시오. 해당 국가의 먼지 방지 규정에 적합하며, 공식적으로 허용된 보호 등급의 산업용 진공 청소기만을 사용하십시오.
- ▶ 작업장을 잘 환기시키고 먼지의 종류에 따라 필요 시 보호마스크를 착용하십시오. 먼지를 흡입하거나 만질 경우, 사용자 또는 근처에 있는 사람에게 기관지 질병이나 알레르기 반응이 나타날 수 있습니다. 딱딱나 무 입자 또는 너도밤나무 입자와 같은 특정 종류의 먼지는, 특히 목재 처리용으로 사용하는 첨가제(크롬산염, 목재 부식 방지제)와 결합하여 암을 유발할 수 있습니다. 석면 물질은 전문 기술자만 다룰 수 있습니다.
- ▶ 손가락의 혈액순환이 잘 되도록 휴식시간 동안 손가락 운동을 하십시오. 장시간 작업할 경우 진동으로 인해 손가락, 손 또는 손목의 혈관이나 신경 체계에 문제가 생길 수 있습니다.

전기에 관한 안전수칙

- ▶ 작업을 시작하기 전에, 작업장에서 가려져 있거나 덮혀 있는 전기 배선, 가스 파이프 그리고 하수도관이 있는지를 점검하십시오. 실수로 전기 케이블을 손상시킨 경우, 기기 바깥쪽에 있는 금속 부품에서 전기 쇼크를 일으킬 수 있습니다.

전동 공구의 올바른 사용방법과 취급방법

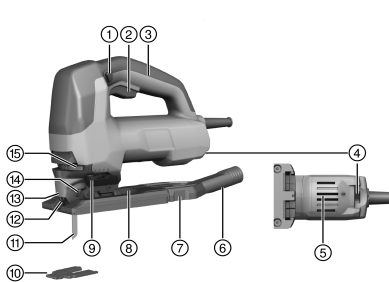
- ▶ 공작물을 고정하십시오. 클램프 또는 바이스로 고정되어 있는 공작물은 손으로 고정할 것보다 더 안전한 상태를 유지합니다.

직소에 대한 안전상의 특별 주의사항

- ▶ 작업 중 제품을 항상 몸에서 떨어뜨리십시오.
- ▶ 톱날의 앞쪽이나 위에 손을 올려놓지 마십시오.
- ▶ 알려지지 않은 모재를 절단하지 말고, 절단 경로 위/아래에 장애물이 없도록 하십시오.
- ▶ 톱질 작업 중 공작물 아래에 손을 두지 마십시오.

3 제품 설명

3.1 제품 개요 1



- ① 잠금용 손잡이
- ② ON/OFF 스위치
- ③ 손잡이
- ④ 스트로크 세팅 조정휠
- ⑤ 환기 슬롯
- ⑥ 흡입 아답터
- ⑦ 비계 후크
- ⑧ 베이스 플레이트
- ⑨ 왕복 스트로크 세팅 레버
- ⑩ 칩 보호 가드
- ⑪ 톱날
- ⑫ 접촉 방지 장치
- ⑬ 커버
- ⑭ 척 아답터
- ⑮ 톱날 잠금 해제 레버

3.2 규정에 맞는 용도

기술된 제품은 전기 구동식 소형 직소입니다. 플라스틱, 목재 및 금속 소재와 석고판 및 섬유판 절단 작업에 사용됩니다.

본 제품에는 분리식 먼지 흡입기(옵션)용 컨넥터가 장착되어 있으며, 이때 통용되는 흡입 호스를 사용할 수 있습니다. 흡입 호스를 제품에 연결하려면 적합한 아답타가 필요할 수 있습니다.

형식 라벨에 제시되어 있는 정격 전압과 정격 주파수로만 기기를 작동시켜야 합니다.

- ▶ 본 제품에는 T자형 생크(램축) 타입의 톱날만 사용하십시오.



3.3 잘못 사용할 수 있는 경우

- 너트가지 및 나무의 줄기를 절단하기 위해 이 제품을 사용해서는 안 됩니다.
- 본 제품은 건강에 유해한 물질을 가공하는 데 사용해서는 안 됩니다.
- 본 제품은 습한 환경에서 작업하는 데 사용해서는 안 됩니다.

3.4 칩 제거장치

칩 제거장치는 공기 흐름을 톱날쪽으로 옮겨 절단선에 칩이 남아 있지 않도록 해줍니다.

3.5 스트로크

스트로크는 조정 휠에서 설정 가능합니다. 위치 1은 1분당 800 스트로크에 해당되며, 위치 6은 1분당 3000 스트로크에 해당됩니다.

ON/OFF 스위치를 얼마나 세게 누르느냐에 따라 속도가 분당 75 스트로크에서 시작하여 조정 휠에서 최대로 설정된 스트로크까지 상승합니다.

3.6 4단계 왕복 운동

4단계 왕복 운동을 통해 가공할 소재에 맞춰 절단력 및 단면을 조절할 수 있습니다. 스트로크 세팅 레버를 이용해 4단계 사이에서 전환할 수 있습니다.

절단면이 더 깨끗하고 미세해야 할수록, 왕복 단계를 낮게 선택해야 합니다. 실습 테스트를 거쳐 최적의 설정을 파악할 수 있습니다.

상태	의미
단계 0	왕복 운동 없음
단계 1	작은 왕복 운동
단계 2	중간 왕복 운동
단계 3	큰 왕복 운동

3.7 고정 버튼

고정 버튼은 세 가지 위치로 조절할 수 있습니다.

1. 일반적으로 사용하는 중간 위치: 고정 버튼은 좌측 및 우측에 있습니다. 스크로크를 조절할 수 있습니다. ON/OFF 스위치를 눌렀다가 손을 뗄 수 있습니다.
2. 고정 버튼은 좌측에만 있습니다. 운반 위치(기기 작동 불가능)
ON/OFF 스위치는 잠겨 있으며, 누를 수 없습니다.
3. 고정 버튼은 우측에만 있습니다. 기기가 켜지면(ON/OFF 스위치가 완전히 눌림), 고정 버튼을 우측으로 눌러 "ON" 위치에 고정시킵니다. 잠금을 풀려면 ON/OFF 스위치를 다시 누르십시오.

3.8 칩 보호 가드

이 제품에는 칩 보호 가드가 장착되어 있습니다.

칩 보호 가드를 통해 목재 톱질 작업 시 표면 손상을 막을 수 있습니다.

3.9 공급품목

직쏘(톱날 포함), 커버, 흡입 아답타, 칩 보호 가드, 사용 설명서, 알렌키.

해당 제품에 허용되는 기타 시스템 제품은 Hilti 센터 또는 온라인 www.hilti.com에서 확인할 수 있습니다.

4 기술자료

4.1 직쏘

i 발전기 또는 변압기에서 작동할 경우, 발전기 및 변압기의 공급출력이 본 기기의 형식 라벨에 적힌 정격 출력보다 최소 두 배 이상 높아야 합니다. 변압기 및 발전기의 작동 전압은 항상 기기의 정격 전압의 +5% ~ -15% 사이에 위치해야 합니다.

명시된 내용은 정격 전압이 230V일 경우에만 효력이 있습니다. 전압이 다르거나 국가별 사양이 다른 경우 명시 사항에 차이가 있을 수 있습니다. 기기의 정격 전압과 주파수, 정격 출력 및 정격 전류는 형식 라벨을 참조하십시오.



	SJD 6
정격 출력	850W
EPTA-Procedure 01에 따른 무게	2.4kg
공회전 스크로크	80/min ... 3,000/min
스트로크 높이	28mm
최대 절단력(목재)	150mm
최대 절단력(알루미늄)	25mm
최대 절단력(비합금 강철)	10mm
절단각(좌측/우측)	0°, 15°, 30°, 45°
흡입 아답터 외경	27.5mm

4.2 EN 62841에 따른 소음 정보 및 진동값

이 지침에 제시된 음압 및 진동 수준은 표준화된 측정방법에 따라 측정된 것이며, 전동 공구를 서로 비교하기 위한 용도로 사용할 수 있습니다. 음압 및 진동 수준은 노출 정도를 사전에 예측하는 데에도 유용하게 사용할 수 있도록 설계되어 있습니다.

제시된 데이터는 전동 공구의 주된 용도를 나타냅니다. 그러나 전동 공구를 다른 용도로 사용하거나 다른 공구 비트를 사용할 경우 또는 유지보수를 충분히 하지 않은 상태에서는 데이터에 편차가 있을 수 있습니다. 이러한 경우 전 작업시간에 걸쳐 노출이 현저하게 증가할 수 있습니다.

노출을 정확하게 평가하기 위해서는 기기 작동이 멈춰 있거나 또는 작동 중이지만 실제로는 사용하지 않는 시간도 고려해야 합니다. 이러한 경우 전 작업시간에 걸쳐 노출이 현저하게 감소할 수 있습니다.

사용자를 보호하기 위해 음파 그리고/또는 진동이 작용하기 전에 다음과 같은 추가적인 안전 조치를 취하십시오. 전동 공구와 공구 비트의 유지보수, 손을 따뜻하게 유지, 작업순서 정하기 등.

소음 배출 값

	SJD 6
소음 수준 (L_{WA})	100.5dB(A)
소음 수준 허용공차 (K_{WA})	5dB(A)
소음 수준 (L_{pA})	89.5dB(A)
음압 수준 허용공차 (K_{pA})	5dB(A)

진동 총 값

	SJD 6
목재 블록 절단 진동 배출값 ($a_{h,b}$)	9.7m/s ²
철판 절단 진동 배출값 ($a_{h,m}$)	8.0m/s ²
허용공차 (K)	1.5m/s ²

5 연장 케이블의 사용

경고

손상된 케이블로 인한 위험! 작업하는 동안 전원 케이블이나 연장 케이블이 손상되었을 경우에는 절대로 케이블을 만지지 마십시오. 전원 플러그를 소켓에서 빼내십시오.

▶ 기기의 연결 케이블을 정기적으로 점검하고, 손상이 있을 경우 자격을 갖춘 전문가가 교환하도록 하십시오.

- 케이블의 단면적이 충분히 크고 해당 용도로 허용된 연장 케이블만을 사용하십시오. 그렇지 않을 경우 기기의 출력이 손실되거나 케이블이 과열될 수 있습니다.
- 연장 케이블의 손상 여부를 정기적으로 점검하십시오.
- 손상된 연장 케이블을 교체하십시오.
- 실외에서 작업할 때에는 실외용으로 표시되고 승인된 연장 케이블만 사용하십시오.



권장하는 최소 단면적과 케이블 최대 길이는 본 문서 끝부분에서 QR 코드 형식으로 확인할 수 있습니다.



6 작업 준비

주의

부상위험! 제품의 돌발적인 시동.

- ▶ 기기 설정 또는 액세서리를 교체하기 전에 전원 플러그를 당기십시오.

본 문서 및 제품에 나와 있는 안전 지침 및 경고 지침에 유의하십시오.

6.1 톱날 끼우기

1. 전원 플러그를 소켓에서 빼내십시오.
2. 척 아답타에 끼워지는 소리가 들릴 때까지 톱날(절단 방향의 톱니 부분)을 누르십시오.
3. 톱날을 잡아 당겨서 톱날이 정확하게 잠겼는지 점검하십시오.

6.2 커버 장착

- ▶ 커버가 소리를 내며 제 자리에 끼워질 때까지 앞에서부터 제품쪽으로 누르십시오.

6.3 흡입 아답터 설치

1. 흡입 아답터를 뒤쪽에서 수평 방향으로 베이스 플레이트쪽으로 밀어 측면의 양쪽 후크가 맞물려 고정되도록 하십시오.
2. 먼저 흡입기의 호스를 흡입 아답터에 연결하십시오.

6.4 왕복 운동 설정

1. 정확한 왕복 스크로크 세팅 정보는 각 톱날의 요건을 참고하십시오.
2. 왕복 스트로크 세팅 레버를 4단계 → 페이지 138 중 하나로 설정하십시오.

6.5 스트로크 설정

정확한 세팅 정보는 각 톱날의 요건을 참고하십시오.

- ▶ 조정휠을 돌려서 스트로크를 1(낮음)과 6(높음) 사이로 설정하십시오.

6.6 절단 각도 설정

1. 흡입 아답터를 분리하십시오. → 페이지 141
2. 클램핑 레버를 뒤쪽으로 90° 젖히십시오.
3. 원하는 절단 각도(0°, 15°, 30°, 45°)를 설정하십시오.
4. 클램핑 레버를 앞쪽으로 90° 젖히십시오.
 - ▶ 베이스 플레이트가 단단이 조여졌습니다.
5. 흡입 아답터를 설치하십시오. → 페이지 140

6.7 칩 보호 가드 설치

칩 보호 가드는 지정된 톱날에만 사용할 수 있습니다.

1. 전원 플러그를 소켓에서 빼내십시오.
2. 칩 보호 가드를 아래쪽에서 베이스 플레이트에 끼우십시오.

7 작업

경고

손상된 케이블로 인한 위험! 작업 시 전원 케이블 또는 연장 케이블이 손상된 경우, 즉시 기기 및 케이블을 전원에서 분리하십시오. 결함이 있는 부위를 만지지 마십시오!

- ▶ 정기적으로 모든 연결 배선을 점검하십시오. 결함이 있는 연장 케이블을 교환하십시오. 손상된 전원은 라인은 공인된 전문가를 통해 교환하십시오.



원칙적으로 최대 30 mA 작동전류의 누전 차단기 (RCD)를 사용하는 것을 권장합니다.

7.1 먼지 포집장치



먼지 포집장치는 먼지 오염을 줄이고, 절단 작업의 시야를 개선하여 작업 안전성을 높이며, 먼지 및 칩이 작업장에 쌓이는 것을 방지해줍니다.

1. 커버를 끼우십시오. → 페이지 140
2. 장시간 목재 또는 먼지 발생량이 높은 소재를 절단하는 경우, 흡입 아답터 및 흡인 장치를 연결하십시오.

7.2 스위치 ON 10

1. ON/OFF 스위치를 누르십시오.
2. 이후 스위치를 잠금 상태로 유지하려면 고정 버튼을 누르십시오.
3. 잠금을 해제하려면 다시 ON/OFF 스위치를 누르십시오.

7.3 플런지 절단

1. 양복 스트로크 세팅 레버를 위치 0으로 전환하십시오.
2. 본 제품을 베이스 플레이트의 전면부 모서리와 함께 공작물 위에 놓으십시오.
3. 제품을 꼭 잡고 ON/OFF 스위치를 누르십시오.
4. 제품을 공작물 방향으로 누른 다음 진입 각도를 줄여서 플런지 동작을 시작하십시오.
5. 공작물을 관통한 경우, 제품을 일반 작업 위치로 가져오십시오.
 - ▶ 베이스 플레이트 전체 면적에 놓여 있습니다.
6. 절단선을 따라 계속 절단하십시오.

7.4 스위치 OFF

- ▶ 전원 ON/OFF 버튼에서 손을 떼십시오.

8 분해



주의

부상위험! 제품의 돌발적인 시동.

- ▶ 기기 설정 또는 액세서리를 교체하기 전에 전원 플러그를 당기십시오.

본 문서 및 제품에 나와 있는 안전 지침 및 경고 지침에 유의하십시오.

8.1 흡입 아답터 분리 11

1. 양쪽 후크를 안쪽으로 누르십시오.
2. 베이스 플레이트에서 흡입 아답터를 뒤쪽으로 빼내십시오.
3. 흡입 아답터에서 집진 호스를 빼내십시오.

8.2 커버 분리 12

- ▶ 커버를 약간 기울인 후 커버를 앞쪽으로 빼내십시오.

8.3 톱날 제거 13



경고

부상 위험. 톱날이 제어되지 않은 상태에서 빠지면 부상을 입을 수 있습니다.

- ▶ 톱날 제거 시 사람 또는 동물이 다치는 일이 없도록 톱날에서 제품을 제거하십시오.

1. 전원 플러그를 소켓에서 빼내십시오.
2. 톱날 잠금 해제 레버를 측면 스톱 위치까지 누르십시오.
 - ▶ 톱날이 풀리면서 빠집니다.



9 관리 및 유지보수

경고

감전 위험! 전원 플러그가 삽입된 상태에서 관리 및 수리 작업을 진행하면 중상 및 화상을 입을 수 있습니다.

- ▶ 관리 및 수리 작업을 진행하기 전에 항상 전원 플러그를 분리하십시오!

관리

- 공구에 부착된 오염물질을 조심스럽게 제거하십시오.
- 마른 솔로 환기 흡을 조심스럽게 청소하십시오.
- 하우징은 약간 물을 적신 천으로만 닦으십시오. 플라스틱 부품을 손상시킬 수 있으므로 절대로 실리콘이 함유된 보호제를 사용하지 마십시오.

유지보수

경고

감전으로 인한 위험! 전기 구성부품에서 부적절하게 수리하면 중상을 입거나 화재를 야기할 수 있습니다.

- ▶ 전기 부품은 반드시 전기 기술자가 수리하도록 해야 합니다.

- 눈에 보이는 모든 부품은 정기적으로 손상 여부를 점검하고 조작 요소가 아무 문제 없이 작동하는지 점검하십시오.
- 손상되었거나 기능 장애가 있는 경우에는 제품을 작동하지 마십시오. 바로 **Hilti** 서비스 센터에서 수리 받으십시오.
- 관리 및 수리 작업 후 모든 보호장치를 가져와 기능을 점검하십시오.



안전하게 작동하기 위해서는 순정품 예비 부품 및 소모품만 사용하십시오. 해당 제품에 허용되는 예비 부품, 소모품 및 액세서리는 **Hilti Store** 또는 **에서** 확인할 수 있습니다. www.hilti.group.

9.1 흡입 아답터 청소

1. 전원 플러그를 소켓에서 빼내십시오.
2. 먼지 흡입기의 호스를 흡입 아답터로부터 제거하십시오.
3. 흡입 아답터를 분리하십시오. → 페이지 141
4. 흡입 아답터를 청소하십시오.
5. 후크가 손상되지 않았는지 점검하십시오.
6. 흡입 아답터를 설치하십시오. → 페이지 140

9.2 톱날 청소

1. 사용한 톱날에서 정기적으로 수지를 제거하십시오.
2. 톱날을 24시간 석유 또는 시중에서 유통되는 수지 제거제에 담가두십시오.

10 운반 및 보관

운반

- ▶ 본 제품은 공구가 끼워진 상태로 운반하지 마십시오.
- ▶ 운반 시 안전하게 고정되었는지 확인하십시오.
- ▶ 운반 후에는 항상 눈에 보이는 모든 부품의 손상 여부를 점검하고 조작 요소가 아무 문제 없이 작동하는지 점검하십시오.

보관

- ▶ 본 제품은 항상 전원 플러그가 당겨진 상태로 보관하십시오.
- ▶ 본 제품은 건조한 상태로 보관하고 어린이 및 허용되지 않는 사람의 손에 닿지 않도록 하십시오.
- ▶ 장기간 보관 후에는 항상 눈에 보이는 모든 부품의 손상 여부를 점검하고 조작 요소가 아무 문제 없이 작동하는지 점검하십시오.

11 문제 발생 시 도움말

본 도표에 제시되어 있지 않거나 스스로 해결할 수 없는 문제가 발생한 경우 **Hilti** 서비스 센터에 문의하십시오.



장애	예상되는 원인	해결책
톱날이 떨어짐.	톱날이 제대로 잠기지 않음.	<ul style="list-style-type: none"> ▶ 클램핑 과정을 반복하십시오. ▶ 척 아답타가 완전히 열려 있고 톱날이 저항에 맞서 눌리는지 확인하십시오.
	클램핑 시스템 오염됨.	▶ 척 아답타를 청소하십시오.
톱날이 삽입되지 않음.	클램핑 시스템 오염됨.	▶ 척 아답타를 청소하십시오.
왕복 스트로크를 조정할 수 없음.	스트로크 레버의 홈이 더러워짐.	▶ 스트로크 레버의 홈에 있는 불순물을 제거하십시오.
왕복 스트로크가 작동하지 않음.	왕복 메커니즘이 더러워짐.	▶ 포크 영역에 오염 물질이 있는지 점검하고, 이를 제거하십시오.
	왕복 스트로크 레버가 "0" 위치에 있음.	▶ 원하는 값을 설정하십시오.
전동 공구가 너무 뜨거움.	전기적 고장.	<ul style="list-style-type: none"> ▶ 기기의 전원을 즉시 끄고, 전원 케이블을 빼내십시오. ▶ 기기를 냉각시키고 Hilti 서비스 센터에 문의하십시오.

12 폐기

Hilti 기기는 대부분 재사용이 가능한 소재로 제작되었습니다. 재활용을 위해 개별 부품을 분리하여 주십시오. Hilti는 대부분의 국가에서 재활용을 위해 노후기기를 수거해 갑니다. Hilti 고객 서비스센터 또는 판매 상담자에게 문의하십시오.



- ▶ 전동 공구, 전자식 기기 및 배터리를 일반 가정 쓰레기로 폐기하지 마십시오!

13 RoHS (유해물질 사용 제한 지침)

아래 링크에서 유해물질에 관한 도표를 확인할 수 있습니다. qr.hilti.com/r5212956
RoHS 도표로 이어지는 링크는 본 문서 끝에 QR 코드 형식으로 제시되어 있습니다.

14 제조회사 보증

- ▶ 보증 조건에 관한 질문사항은 Hilti 파트너 지사에 문의하십시오.

原始操作說明

1 文件相關資訊

1.1 關於此文件

- 初次操作或使用前，請先詳讀此文件。本文件包含安全前提、疑難排解處理和產品使用。
- 請遵守本文件中與產品上的安全說明和警告。
- 操作說明應與產品一起保管，產品交予他人時必須連同操作說明一起轉交。

1.2 已使用的符號說明

1.2.1 警告

警告使用本產品的人員可能發生之危險。採用了以下標示文字：



危險！

- ▶ 此標語警示會發生對人造成嚴重傷害甚至致死的危險情形。



警告

警告！

- ▶ 此標語警示會造成嚴重傷害甚至致死危險的潛在威脅。

注意

注意！

- ▶ 此標語警示可能會發生造成人員受傷，或造成設備及其他財產損壞之危險狀況。

1.2.2 文件中的符號

本文件中採用以下符號：



使用前請閱讀操作說明。



使用說明與其他資訊



處理可回收的材料



不可將電子設備與電池當作家庭廢棄物處置

1.2.3 圖解中的符號

圖解中採用了以下符號：

2

號碼對應操作說明的開始處的圖解

3

編號代表圖解中的操作步驟順序，可能與內文中的步驟有所不同

11

項目參考編號用於總覽圖解，並請參閱產品總覽章節中使用的編號



本符號是為了讓您在操作本產品時可以注意某些重點。

1.3 產品專屬符號

1.3.1 產品上的符號

產品上採用下列符號：

n_0

無負載下的衝程率



無線資料傳輸

1.4 產品資訊

HILTI 產品是針對專業使用者設計，故僅經訓練、認可的人員可操作、維修與維護本產品。必須告知上述人員關於可能遭遇到的特殊危險。若因未經訓練人員操作錯誤或未依照其原本的用途操作，則本產品和它的輔助工具設備有可能會發生危險。

型號和序號都標示於型號識別牌上。

- ▶ 在下方表格中填入序號。與Hilti代理商或Hilti維修中心聯絡詢問產品相關事宜時，請隨時參考該資訊。

- ▶ 在下方表格中填入序號。與Hilti代理商或Hilti維修中心聯絡詢問產品相關事宜時，請隨時參考該資訊。

產品資訊

軌道式線鋸	SJD 6
產品代別	01
序號	

1.5 符合聲明

基於我們唯一的責任，本公司在此聲明本產品符合適用的指示或標準。本文件結尾處有符合聲明之副本。



2 安全性

2.1 一般電動機具安全警告

⚠ 警告 請詳閱本電動機具提供的所有安全警告、指示、圖解和說明。未能遵守以下所有指示可能會造成電擊事故、火災和 / 或嚴重的傷害。

妥善保存所有警告及說明，以供將來參考。

注意事項中的「機具」係指使用電源（有線）或電池（無線）的電動機具。

工作區域安全

- ▶ 請保持工作區的清潔與採光充足。雜亂而昏暗的工作區會導致意外發生。
- ▶ 勿在容易發生爆炸的環境中使用機具，例如有可燃性液體、瓦斯或粉塵存在的環境。機具產生的火花可能會引燃塵埃或煙霧。
- ▶ 操作機具時，請與兒童及旁人保持距離。注意力不集中時容易發生失控的情形。

電力安全

- ▶ 機具插頭與插座須能互相搭配。勿以任何方式改裝插頭。勿將任何變壓器插頭與與地面接觸（接地）的電動機具搭配使用。未經改裝的插頭以及能互相搭配的插座可減少發生電擊的危險。
- ▶ 避免讓身體碰觸到如管線、散熱器、爐灶與冰箱等與土地或地表接觸之物品。如果您的身體接觸到地表或地面，將增加電擊的危險。
- ▶ 請勿將機具曝露在下雨或潮濕的環境中。若水氣進入機具中將增加觸電的危險。
- ▶ 勿濫用電纜線。勿以電纜線吊掛、拖拉機具或拔下機具插頭。電纜線應避開熱氣、油、銳利的邊緣或移動性零件。電纜線損壞或纏繞會增加發生電擊事故的危險。
- ▶ 於室外操作機具時，須使用適用於戶外的延長線。使用適合戶外使用的延長線可降低觸電的風險。
- ▶ 如果無法避免在潮濕的地點操作機具，請使用漏電斷路器（RCD）保護電源供應器。使用漏電斷路器（RCD）可降低電擊的風險。

人員安全

- ▶ 操作機具時，請提高警覺，注意進行中的工作並善用常識。感到疲勞或受到藥物、酒精或治療的影響時勿使用機具。操作機具時稍不留神就可能造成嚴重的人員傷亡。
- ▶ 穿戴個人防護裝備。請隨時穿戴眼罩。適當使用防塵面罩、防滑鞋、安全帽及耳罩等安全防護配備可減少人員的傷害。
- ▶ 避免不經意的啟動。在接上電源或電池組、抬起或攜帶機具之前，務必確認開關處於關閉的位置。攜帶機具時，如果把手指放在開關上，或在開關開啟時，將機具插上插頭容易發生意外。
- ▶ 啟動機具前，應將所有調整鑰匙或扳手移開。將扳手或鑰匙留在機具的旋轉零件中可能會造成人員傷害。
- ▶ 勿將手伸出過遠。隨時站穩並維持平衡。這可讓您在意外情況發生時，對機具有較好的控制。
- ▶ 穿著適當服裝。請勿穿著寬鬆的衣服或佩戴珠寶。頭髮、衣服與手應遠離移動性零件。移動性零件可能會夾到寬鬆的衣服、珠寶或長髮。
- ▶ 如果機具可連接吸塵裝置與集塵設備，請連接並適當使用這些設備。使用集塵裝置可降低與粉塵有關的危險。
- ▶ 請勿因頻繁而習慣使用機具便疏於遵守或忽略機具的安全規範。草率使用可能在轉眼間便造成嚴重的傷害。

機具使用與保養

- ▶ 不可強制使用機具。依據用途使用正確的機具。根據設計的速率使用機具可更快速安全地完成工作。
- ▶ 若開關無法啟動或關閉電動工具時，請勿使用電動工具。任何無法以開關控制的機具都很危險且需要維修。
- ▶ 在進行任何調整、更換配件、或貯放電動機具前，請先將插頭拔離插座和 / 或將電池組自電動機具卸下（如可拆卸）。此預防安全措施可降低機具意外啟動的風險。
- ▶ 將閒置的機具貯放在兒童拿不到的地方，勿讓不熟悉或未詳閱本說明的人員操作本機具。機具在未經訓練的使用者手中是很危險的。
- ▶ 維護機具與配件。請檢查移動性零件有無偏移或黏合的情形、零件有無破損，以及任何會影響機具運轉的狀況。如果機具受損，請先維修後再使用。很多意外便是由維護不當的機具造成的。
- ▶ 保持切割機具的銳利與清潔。具銳利切割邊緣的切割機具如果得到適當的維護，便較不會發生黏合的現象，且較容易控制。
- ▶ 遵守本指示說明使用機具、配件和工具組等，並考量工作條件與待進行的工作。將機具用在原目的之外之用途可能會造成危險。
- ▶ 保持握把與其表面的乾燥、清潔且不要讓上面出現油漬。握把及其表面濕滑會在意外情況中造成機具無法安全掌控。



維修服務

- ▶ 請將機具交給合格的維修人員進行維修，並使用相同的替代零件。這可確保維護機具安全。

2.2 軍刀鋸的安全操作說明

- ▶ 當所進行的工作，其切割配件可能會碰觸到隱藏配線或其自身的電線時，請在操作時握住機具的絕緣握把。與「導電」電線接觸的切割配件可能會導致機具暴露在外金屬零件「導電」，使得操作人員遭受電擊。
- ▶ 請使用夾具或其他實作方式將工件固定並支撐在穩定的平台上。只用手或身體抵住的方式固定工件將造成不穩定，進而失去控制。

2.3 其他安全指示

人員安全

- ▶ 請使用狀態良好無瑕疵的機具。
- ▶ 勿嘗試以任何方式改裝機具。
- ▶ 以雙手握持機具的握把。請保持機具握把清潔和乾燥。
- ▶ 使用機具時請配戴護目鏡、耳罩及防護手套。
- ▶ 請在更換配件工具時戴上防護手套。觸摸配件可能會造成受傷（割傷或燙傷）。
- ▶ 穿戴護目鏡。飛散的碎片可能會傷害身體與眼睛。
- ▶ 在開始作業前，請先針對作業時所產生粉塵之危險等級進行檢查。使用符合當地粉塵防治條例，且經法定認可為保護等級之工業用吸塵器。
- ▶ 請確保工作場所有良好通風，必要時，請依會產生的粉塵類型配戴適合的口罩。操作人員與旁觀者接觸或吸入粉塵可能會引起過敏及 / 或造成呼吸問題或其他疾病。像是橡木與山毛櫸木材的粉塵已列為致癌物質，尤其是當它們使用調濕塗料（鉻酸鹽、木材防腐劑）時。包含石綿之基材務必由專人處理。
- ▶ 請利用工作空檔時休息，並活動您的手指以促進血液循環。長時間暴露在震動下會造成手指、手掌和手腕的血管和神經系統失調。

電力安全

- ▶ 開始工作前，請先檢查工作區域是否有隱藏的電纜線、瓦斯管或水管。若不小心損壞電纜線，機具外部的金屬零件可能會造成觸電。

小心處理與使用電子機具

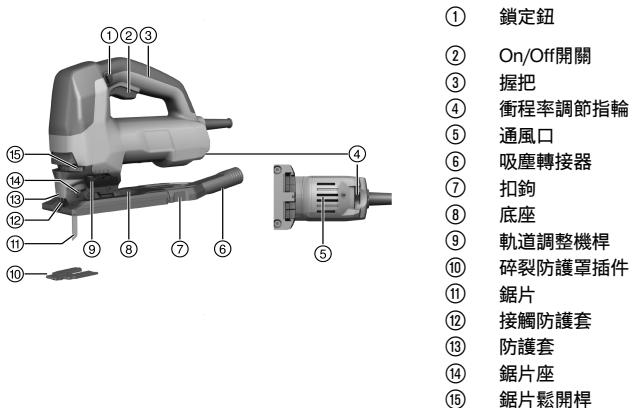
- ▶ 固定工件。以老虎鉗或其他夾緊裝置固定工件會較用手握持更穩固。

線鋸的特殊安全須知

- ▶ 工作時，請讓身體與本產品隨時保持距離。
- ▶ 嚴禁將手放置於鋸片前或鋸片上。
- ▶ 請勿切割不明的基材，並確保工件上方與下方的切割線沒有障礙物。
- ▶ 進行切割時，請勿將手伸到工件中或握住其下方。

3 說明

3.1 產品總覽



- ① 鎖定鈕
- ② On/Off開關
- ③ 握把
- ④ 衝程率調節指輪
- ⑤ 通風口
- ⑥ 吸塵轉接器
- ⑦ 扣鉤
- ⑧ 底座
- ⑨ 軌道調整機桿
- ⑩ 碎裂防護罩插件
- ⑪ 鋸片
- ⑫ 接觸防護套
- ⑬ 防護套
- ⑭ 鋸片座
- ⑮ 鋸片鬆開桿



3.2 用途

本文所述產品為手持電動軌道式線鋸。本機具專為切割塑膠、木材與金屬材料，以及鎖牆板與石膏纖維板。本產品配有選配真空吸塵器 / 除塵軟管的移動式連接頭。此連接頭專用於搭配標準吸塵軟管使用。要將真空吸塵軟管連接至本產品，可能需要使用合適的轉接器。

本機具僅可使用符合型號識別牌上所指定的電壓和頻率。

- ▶ 本產品限搭配具有T型握把之鋸片使用。

3.3 可能發生的誤用

- 請勿使用本產品切割樹枝或樹幹。
- 請勿使用本產品切割具危險性之材料。
- 請勿在濕氣重或潮濕的環境中使用本產品。

3.4 除塵器

除塵器會以氣流吹向鋸片讓切割線上無粉塵。

3.5 衝程速率

轉動指輪可調整衝程率。位置1代表每分鐘800個衝程而位置6則代表每分鐘3000個衝程。

依按下On/Off開關的程度，可將衝程率從每分鐘75個增加至用指輪設定的衝程率。

3.6 4軌道設定

4軌道設定可依切割的材料調整切割效能與品質。軌道調整桿可將機具調整為4種設定其中一種。

軌道設定越低，切割邊緣的細膩與俐落程度也越好。可透過實際測試找出最佳的設定。

狀態	意義
位置0	無軌道
位置1	低軌道
位置2	中軌道
位置3	高軌道

3.7 鎖定鈕

本鎖定開關有三個位置設定。

1. 中間為正常位置：鎖定開關可在其左側或右側。例如，在此位置變可調整衝程率。
On/Off開關可按下或鬆開。
2. 鎖定開關僅在左邊：搬運位置（機具無法啟動）
On/Off開關會鎖住且無法按下。
3. 鎖定開關僅在右邊：機具啟動（完全按下On/Off開關）後，可將鎖定開關向右推將開關鎖在「On」位置。
若要解除鎖定，請再按一下On/Off按鈕。

3.8 碎裂防護罩插件

本產品可配備一碎裂防護罩插件。

碎裂防護罩插件可在切割時避免木材表面的碎裂情形。

3.9 配備及數量

軌道式線鋸含鋸片、防護套、除塵轉接器、碎片防護罩插件、操作說明、內六角扳手。

關於產品，您可於當地Hilti中心或網站www.hilti.com查詢其他經過認證的系統產品。



4 技術資料

4.1 軌道式線鋸

i 如果要使用發電機或變壓器供電，必須至少能提供兩倍於機具額定銘板上標示的額定輸入值電力。發電機或變壓器的操作電壓必須隨時介於機具額定電壓+5%和-15%以內。

此處提供的資料適用於230V的額定電壓。資料可能會因為與額定電壓的偏差以及特定國家版本的系統而有所差異。請參照機具的型號識別牌上所載的電壓、頻率 and 額定輸入功率細節。

	SJD 6
額定功率	850 W
重量 (依據EPTA程序01)	2.4 kg
無負載下的衝程率	80 rpm ... 3,000 rpm
衝程長度	28 mm
木材的最大切割效能	150 mm
鋁質的最大切割效能	25 mm
非合金鋼材的最大切割效能	10 mm
切割角度 (左 / 右)	0°、15°、30°、45°
吸塵轉接器外徑	27.5 mm

4.2 噪音資訊和震動值 (依據EN 62841)

操作說明中所提供之音壓和震動值已參照標準測量，並可用來比較不同機具之噪音。它們也可作為噪音量的初步評估。

提供之資料表示機具主要應用時之數值。若機具應用於不同之用途，搭配不同的配件工具或在保養不良的情況下，其數據會有所不同。在作業過程中，這會大幅提高其噪音量。

當機具關閉，或開啟但未進行任何作業時也應列入考量，才能準確評估噪音量。在作業過程中，這會大幅降低其噪音量。

確認其他安全措施，以保護操作員不受噪音和 / 或震動影響，例如：保養機具與其配件、操作前保持雙手溫暖、作業型式之安排等。

震動值

	SJD 6
聲功率級數 (L_{WA})	100.5 dB(A)
無法判定的聲功率級數 (K_{WA})	5 dB(A)
音壓級數 (L_{pA})	89.5 dB(A)
無法判定的音壓級數 (K_{pA})	5 dB(A)

總震動

	SJD 6
切割木板的震動噪音值 ($a_{h, B}$)	9.7 m/s ²
切割金屬薄片的震動噪音值 ($a_{h, M}$)	8.0 m/s ²
無法判定 (K)	1.5 m/s ²

5 延長線的使用

警告

受損的電源線會造成危險！當機具運轉時，如果發現電源線或延長線受損，請勿碰觸。請將電源線插頭自插座拔除。

▶ 請定期檢查設備的電源線，並在發現損壞時，請合格的電力專員更換。

- 僅可使用經認可的延長線類型，且必須使用口徑（截面積）足夠的導線。否則機具的效率會下降且延長線會過熱。
- 定期檢查延長線是否損壞。
- 並更換受損的延長線。
- 戶外工作時，僅可使用經認可並標記適合戶外使用的延長線。





有關建議之最小導體截面積與纜線長度的資訊，可透過本文件最後QR碼形式的連結查看。

6 工作場所的準備工作

注意

有受傷的危險！產品意外啟動。

- ▶ 在調整機具或變更配件前，請先拔除電源線。

請遵守本文件中與產品上的安全說明和警告。

6.1 安裝鋸片

1. 請將電源線插頭自插座拔除。
2. 將鋸片（鋸齒朝切割方向）向鋸片座內推直到卡住。
3. 握住並拉動鋸片以確認其是否有確實固定。

6.2 安裝防護套

- ▶ 將防護套從前端朝產品上推直到其卡至定位為止。

6.3 安裝吸塵轉接器

1. 將吸塵轉接器從後方水平推到底座上直到兩側的扣鉤卡住為止。
2. 將真空吸塵器軟管連接到吸塵轉接器上。

6.4 設定軌道

1. 依適用的鋸片針對進行的工作決定正確的軌道設定。
2. 將軌道調整桿設為四個設定 → 頁次 147 其中之一。

6.5 調整衝程速率



依適用的鋸片針對進行的工作決定正確的設定。

- ▶ 將衝程率調節指輪設定在1（低）與6（高）之間。

6.6 設定切割角度

1. 拆卸吸塵轉接器。 → 頁次 150
2. 將夾緊機桿向後轉90°（朝機具後方）。
3. 設定所需的切割角度（0°、15°、30°或45°）。
4. 將夾緊機桿向前轉90°（朝機具前方）。
 - ▶ 底座便會穩定卡住。
5. 安裝吸塵轉接器。 → 頁次 149

6.7 安裝碎裂防護罩插件



碎裂防護罩插件僅可搭配特定鋸片使用。

1. 請將電源線插頭自插座拔除。
2. 從下方將碎裂防護罩插件壓到底座中。



7 工作類型

警告

受損的電源線會造成安全危險！若電源線或延長線在工作進行時受損，請立刻將裝置和電纜線自電源供應處拔除。請勿碰觸受損的電纜線。

- ▶ 定期檢查所有的電源線。並更換受損的延長線。請由合格的電力專員更換電源線。

建議使用最大30 mA跳脫電流的漏電斷路器（RCD）。

7.1 除塵設備



吸塵系統可減少粉塵量、讓切割線更清楚並降低被工件粉塵及木屑噴到的風險以增加安全性。

1. 安裝防護套。→ 頁次 149
2. 由於長時間對木材或其他材料進行作業會產生大量粉塵，請連接吸塵轉接器和吸塵裝置。

7.2 開啟開關

1. 按下On/Off開關。
2. 若要鎖定開關，請接著按下鎖定開關。
3. 若要解除鎖定開關，請再按一下On/Off開關。

7.3 進刀切割

1. 將軌道調整桿設為位置0。
2. 將底座前緣與工件接觸。
3. 緊握產品並按下On/Off開關。
4. 將產品緊抵住工件並以慢慢降低攻角的方式開始進刀切割。
5. 一旦鋸片穿透工件後，請讓本產品回到其正常作業位置。
 - ▶ 接著底座便會平放在工作面上。
6. 繼續沿切割線進行切割。

7.4 關閉開關

- ▶ 鬆開On/Off開關。

8 除塵

注意

有受傷的危險！產品意外啟動。

- ▶ 在調整機具或變更配件前，請先拔除電源線。

請遵守本文件中與產品上的安全說明和警告。

8.1 拆卸吸塵轉接器

1. 將兩個固定扣鉤向內壓。
2. 將吸塵轉接器向後拉從底座上卸下。
3. 將真空吸塵器軟管從吸塵轉接器上卸下。

8.2 卸下防護套

- ▶ 將防護套稍微傾斜並向前拉將其卸下。

8.3 退出鋸片

警告

有受傷的危險！鋸片意外退出會造成受傷。

- ▶ 退出鋸片時，請握住產品使其不會造成他人或動物受傷。



1. 請將電源線插頭自插座拔除。
2. 將鋸片退出桿盡可能向旁邊推。
 - ▶ 鋸片便會鬆開並退出。

9 維護和保養

警告

觸電危險！ 電源線仍連接到電源插座時進行維護和保養會造成嚴重的傷害或灼傷。

- ▶ 進行維護及保養前，請務必拔下電源線。

注意

- 小心地清除可能附著在零件上的灰塵。
- 請使用乾燥的刷子小心清潔通風口。
- 僅能使用微濕軟布清潔外殼。勿使用含硅樹脂的清潔或亮光劑，因為可能會造成塑膠零件損壞。

維護

警告

電擊的風險！ 損壞的電子零件會造成嚴重的人員傷害及灼傷。

- ▶ 機具或設備電力部分的維修僅可交由訓練過的電力專員處理。
- 定期檢查外部零件和控制元件有無損壞跡象，並確認它們運作正常。
- 如果有損壞跡象或任何零件功能故障，請不要操作本產品。請立即交由Hilti維修中心維修。
- 清潔及保養後，裝上所有防護套或保護裝置並檢查功能是否正常。



為確保操作的安全及可靠性，請務必使用原廠Hilti備件與耗材。您可以在 **Hilti Store** 或網站：選購Hilti認可的備件、耗材和配件。 www.hilti.group

9.1 清潔吸塵轉接器

1. 請將電源線插頭自插座拔除。
2. 將真空吸塵器軟管從吸塵轉接器上卸下。
3. 拆卸吸塵轉接器。→ 頁次 150
4. 清潔吸塵轉接器。
5. 確認所有扣鉤均未受損。
6. 安裝吸塵轉接器。→ 頁次 149

9.2 清潔鋸片

1. 定期將鋸片的樹脂殘留清除。
2. 將鋸片泡在煤油（燈油）或市售樹脂清潔劑中24小時。

10 搬運和貯放

運送

- ▶ 搬運本產品時請不要安裝配件工具。
- ▶ 確認在整個搬運過程中設備均有妥善固定。
- ▶ 搬運後，請務必檢查外部零件和控制元件有無損壞跡象，並確認它們運作正常。

設備的貯放

- ▶ 收納本產品時請務必將電源線從電源上拔掉。
- ▶ 請將產品貯放在乾燥且兒童或未授權的人員無法觸及的地點。
- ▶ 長時間貯放後，請務必檢查外部零件和控制元件有無損壞跡象，並確認它們運作正常。

11 故障排除

若您遇到未列出的問題或是無法自行排除的問題，請聯絡Hilti維修中心。



故障	可能原因	解決方法
鋸片掉出。	鋸片未正確咬合。	<ul style="list-style-type: none"> ▶ 重複進刀程序。 ▶ 確認鋸片座完全開啟且鋸片有完全推到彈簧底部。
	夾緊系統被外物卡住。	▶ 清潔鋸片座。
無法插入鋸片。	夾緊系統被外物卡住。	▶ 清潔鋸片座。
無法調整軌道。	軌道調整桿溝槽中有異物。	▶ 清潔軌道調整桿溝槽。
軌道無法運作。	軌道機制被異物卡住。	▶ 確認軌道區中是否有異物並將其清除。
	軌道調整桿位於位置「0」。	▶ 將其調到希望的設定。
機具變得很燙。	電力故障。	<ul style="list-style-type: none"> ▶ 立刻關閉機具並將電源線從電源供應處拔除。 ▶ 讓機具冷卻並洽詢Hilti維修中心。

12 廢棄設備處置

Hilti機具或設備所採用的材料大部分均可回收再利用。材料在回收前必須正確地分類。在許多國家中，您可以將舊機具及設備送回Hilti進行回收。詳情請洽Hilti維修中心，或當地Hilti代理商。



- ▶ 請勿將機具、電子設備或電池當作一般家用廢棄物處理！

13 RoHS (有害物質限制指令)

按一下本連結可前往危險物質表：qr.hilti.com/r5212956

您可在文件最後找到QR碼格式的RoHS表連結。

14 製造商保固

- ▶ 如果您對於保固條件有任何問題，請聯絡當地Hilti代理商。

Hilti Taiwan Co., Ltd.

4/F, No. 2 Jen Ai Road, Sec. 2, Taipei, 10060 Taiwan

Tel. +886 2 2357 9090

原版操作说明

1 文档信息

1.1 关于该文档

- 首次操作或使用前，请先阅读本文档。这是安全、无故障地操作和使用产品的前提条件。
- 请遵守本文档中以及产品上的安全说明和警告。
- 请务必将本操作说明与本产品保存在一起，确保将操作说明随产品一起交给他人。

1.2 使用符号的说明

1.2.1 警告

警告是为了提醒您在使用此产品时会发生的危险。使用以下信号：



危险！

- ▶ 用于让人们能够注意到会导致严重身体伤害或致命的迫近危险。



-警告-

警告！

- ▶ 用于提醒人们注意可能导致严重或致命伤害的潜在危险。

-小心-

小心！

- ▶ 用于提醒人们注意可能导致轻微人身伤害、设备损坏或其他财产损失的潜在危险情形。

1.2.2 文档中的符号

本文档中使用下列符号：

	请在使用之前阅读操作说明。
	使用说明和其他有用信息
	处理可回收材料
	不得将电气设备和电池作为生活垃圾处置

1.2.3 图示中的符号

图示中使用了下列符号：

	这些编号指本操作说明开始处的相应图示。
	图示中的编号反映操作顺序，可能与文本中描述的步骤不同。
	概览图示中使用了项目参考号，该参考号指的是产品概览部分中使用的编号。
	这些符号旨在提醒您在操作本产品时要特别注意的某些要点。

1.3 取决于产品的符号

1.3.1 产品上的符号

产品上使用以下标志：

n_0	空载时的冲数
	无线数据传输

1.4 产品信息

产品经设计适用于专业用户，只有经过专门训练的授权人员才允许操作、维修和维护本产品。必须将任何可能的危险专门告知该人员。不按照既定用途使用或由未经培训的人员不正确地使用本产品及其辅助设备可能会带来危险。

型号名称和序列号印在型号铭牌上。

- ▶ 在下表中填写序列号。当与 Hilti 代表或 Hilti 维修中心联系询问产品时，总是需要引用该信息。
- ▶ 在下表中填写序列号。当与 Hilti 代表或 Hilti 维修中心联系询问产品时，总是需要引用该信息。

产品信息

轨道动作机动锯	SJD 6
分代号	01
序列号	

1.5 符合性声明

按照我们单方面的责任，我们声明本产品符合下列适用指令和标准：一致性声明副本位于本文档结尾处。



2 安全

2.1 一般电动工具安全警告

⚠ 警告 请阅读本电动工具随附的所有安全警告、说明、图示和技术规范。不遵守下列所有操作说明可能会导致电击、火灾和/或严重人身伤害。

请保存所有安全警告和操作说明，以供将来参考。

在所有下列的警告中术语“电动工具”指市电驱动(有线)电动工具或电池驱动(无线)电动工具。

工作区域安全

- ▶ 保持工作区域清洁和良好照明。杂乱和黑暗的区域容易导致事故。
- ▶ 不要在爆炸性环境中操作电动工具，例如有易燃液体、气体或灰尘。电动工具会产生可以点燃这些灰尘或烟雾的火花。
- ▶ 在操作电动工具时，要令儿童和旁观者远离工作现场。万一分心，可能会使您失去对电动工具的控制。

电气安全

- ▶ 电动工具(设备)插头必须匹配电源插座。切勿以任何方式改动插头。对于接地的电动工具(设备)，不要使用任何适配器插头。使用未经改动的插头和匹配的电源插座可以大大减少电击危险。
- ▶ 避免人体接触接地表面，如管道、散热片和冰箱。如果您的身体接地，则会增加电击危险。
- ▶ 不要将电动工具暴露在雨水或潮湿环境中。电动工具进水将会增加电击危险。
- ▶ 不要滥用电缆。切勿使用电缆运送、拉动或拔出电动工具。保持电缆远离高温、油、锋利边缘或运动部件。电缆损坏或缠绕会增加电击危险。
- ▶ 当在户外操作电动工具时，应使用经认可适合户外操作的加长电缆。使用适合户外使用的电缆可减少电击危险。
- ▶ 如果在潮湿环境下操作电动工具是不可避免的，应使用剩余电流动作保护器(RCD)。使用RCD可减小电击危险。

人身安全

- ▶ 保持警觉，注意您正在进行的工作，并在操作电动工具的过程中，应利用自己的判断能力。当您疲劳或受到药物、酒精或医疗影响时，请不要使用电动工具。当操作电动工具时，瞬间的分心都可能导致严重的人身伤害。
- ▶ 使用个人防护装备。一定要戴上护目装置。安全装置，诸如适当条件下使用防全面具、防滑安全鞋、安全帽、听力防护等装置能减少人身伤害。
- ▶ 防止电动工具意外启动。在连接至电源和/或电池组、拿起或搬运电动工具之前，应确保开关处于“关闭”位置。将手指放在开关上搬运电动工具或在开关处于“打开”位置时接通电源，都可能会导致事故发生。
- ▶ 在打开电动工具之前，必须拿掉任何调整键或扳手。让扳手或调整键留在电动工具的旋转部件上可能会导致人身伤害。
- ▶ 不要操之过急。应时刻保持正确的站姿和平衡。这在意外情况下能够更好地控制电动工具。
- ▶ 应确保正确着装。不要穿着松垮的衣服或佩戴首饰。让头发和衣服远离运动部件。松垮的衣服、首饰或长发会卡在运动部件中。
- ▶ 如果提供有用于连接除尘和集尘设施的装置，应确保将它们连接好并正确使用。使用除尘装置可以减少与灰尘相关的危险。
- ▶ 经常使用工具能令您获得较高的熟练度，但不能因此掉以轻心和忽视工具安全准则。一次不慎操作就会在瞬间导致重伤。

电动工具的使用和维护

- ▶ 不要强制使用电动工具。针对您的应用场合使用正确的电动工具。正确的电动工具在其额定设计值范围内将能够更好和更安全地工作。
- ▶ 如果通过开关不能使其打开和关闭，则请不要使用电动工具。任何不能通过开关进行控制的电动工具都是危险的，必须对其进行修理。
- ▶ 在进行任何调整、更换配件或存放电动工具之前，应从电源上断开插头和/或从电动工具上拆下电池组(若可拆卸)。此预防性安全措施可减少意外启动电动工具的危险。
- ▶ 将不用的电动工具存放在儿童拿不到的地方，并且不要让不熟悉电动工具或其操作说明的人员操作电动工具。未经培训的用户操作电动工具是危险的。
- ▶ 维护电动工具和配件。检查是否存在运动部件失调或卡滞、部件断裂和任何其它影响电动工具操作的情况。如果存在损坏，则在使用之前应修理电动工具。许多事故都是由于电动工具维护不良造成的。
- ▶ 保持切削工具锋利和清洁。带锋利切削刃的切削工具如果维护得当，很少会发生卡滞且更容易控制。
- ▶ 按照使用说明书，考虑作业条件和进行的作业来使用电动工具、附件和工具的刀头等。将电动工具用于指定用途以外的场合会导致危险。



- ▶ 使手柄和抓握面保持干燥、清洁且没有油脂。如果手柄和抓握面打滑，将无法在意外情况下安全操作或控制本工具。

保养

- ▶ 将您的电动工具送交专业维修人员，使用同样的备件进行修理。这样才能确保维持电动工具(设备)的安全性。

2.2 有关往复锯的安全说明

- ▶ 当执行切削配件可能接触到隐藏线束或电动工具自带电缆的操作时，应确保只能通过绝缘把手表面握住电动工具。如果切削配件接触“带电”导线，则会使电动工具的裸露金属部件“带电”，从而可能会电击到操作者。
- ▶ 使用夹子或者其他物理方式将工件固定并支撑在一个稳定的平台上。用手或者靠着身体持住工件，使工件处于不稳定状态，可能导致失控的危险。

2.3 附加的安全说明

人身安全

- ▶ 工具处于良好的技术状态时才能使用。
- ▶ 不得以任何方式篡改或改动本工具。
- ▶ 请务必用双手通过提供的把手握住电动工具。保持把手清洁干燥。
- ▶ 当使用工具时，必须佩戴合适的护目镜、护耳装置和防护手套。
- ▶ 更换配套工具时，戴上防护手套。触摸配套工具会带来伤害风险(割伤或烫伤)。
- ▶ 请戴上护目装置。飞溅的碎片有导致身体和眼睛受伤的风险。
- ▶ 在开始工作之前，应测定会产生的灰尘的危险等级。使用具有官方认可防护等级的工业真空吸尘器，并遵守当地适用的灰尘防护规定。
- ▶ 确保工作场所通风良好，并在必要时佩戴与所产生的粉尘类型相适应的呼吸器。接触或吸入这些粉尘可能会导致操作者或旁观者出现过敏反应和/或呼吸疾病或其他疾病。某些种类的粉尘还属于致癌物质，例如橡木和山毛榉木粉尘，特别是与木材调节添加剂(铬酸盐、木材防腐剂)一起使用时。含石棉的材料只能由专业人员处理。
- ▶ 工作间隙抽时间休息并做体育锻炼，改善手指的血液循环状况。工作期间长时间暴露于振动环境中可能导致手指、手掌和手腕部位血管和神经系统紊乱。

电气安全

- ▶ 开始工作之前，检查工作区域是否有隐蔽的电缆或天然气和水管。如果意外损坏了电缆，电动工具的外部金属件可能导致电击。

小心操作和使用电动工具

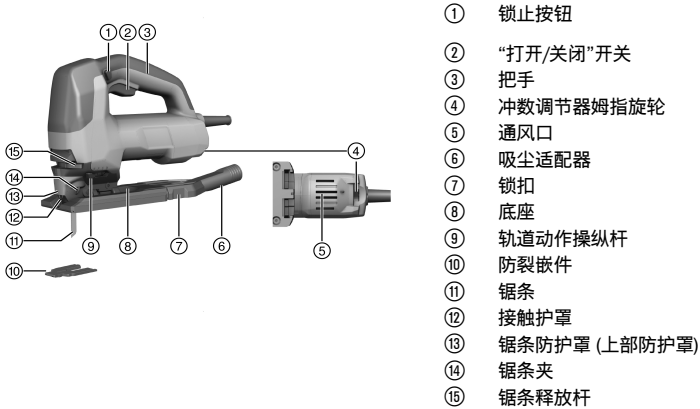
- ▶ 固定工件。用老虎钳夹紧或通过一些其他夹紧设备固定工件比用手扶持更加稳固。

机动锯的特殊安全说明

- ▶ 使用本产品时应务必让其远离您的身体。
- ▶ 切勿将手放在锯条前面或上面。
- ▶ 切勿锯割未知材料，并保持工件上部和下部的锯割线处无障碍物。
- ▶ 切勿在切割时触及或握住工件下方部分。



3.1 产品概述



3.2 预期用途

所述产品是一款手持电动轨道动作机动锯。它设计用于切割塑料、木材和金属材料以及干式墙板和石膏纤维板。

本产品配有用于真空吸尘器/除尘软管 (选装) 的可拆卸接头。该接头设计用于安装标准吸入软管。必须使用合适的适配器以将吸尘软管连接至产品。

只有当相连电源的电压和频率符合电动工具铭牌上的给定信息时，才能操作本工具。

- ▶ 本产品仅限使用配有 T 型刀柄的锯条。

3.3 可能的误用

- 不允许使用本产品修剪树枝或切割树干。
- 不允许使用本产品切割危险材料。
- 不允许在潮湿环境中使用本产品。

3.4 除尘风机

除尘风机朝着锯条喷射一股气流，以确保切割线上没有粉尘。

3.5 冲数

可通过转动拇指旋转调节冲数。位置 1 对应于 800 冲程/分钟，位置 6 对应于 3000 冲程/分钟。根据“打开/关闭”开关的按下深度，起始冲数为 75 冲程/分钟，并可增加到拇指旋转设置的冲数。

3.6 四种轨道动作设置

提供四种轨道动作设置，可根据所切割的材料调节切割性能和质量。轨道动作调节杆用于将电动工具设为四种设置之一。

轨道动作设置越低，切割边缘的精细度和清洁度越高。最优设置可通过执行实际测试来确定。

状态	含义
位置 0	无轨道动作
位置 1	低轨道动作
位置 2	中等轨道动作
位置 3	高轨道动作

3.7 锁止按钮

锁止按钮具有三个位置。



1. 中间位置为正常位置：可在左侧和右侧看到锁止按钮。例如，可在该位置调节冲数。
可按下或松开“打开/关闭”开关。
2. 仅可在左侧看到锁止按钮：运输位置 (工具此时无法启动)
“打开/关闭”开关锁止且无法按下。
3. 仅可在右侧看到锁止按钮：在开启工具 (完全按下“打开/关闭”开关) 后，可将锁止按钮推向右侧，从而将开关锁定在“打开”位置。要解锁开关锁，再次按下“打开/关闭”开关。

3.8 防裂嵌件

本产品配备了防裂嵌件。

当进行切割时，防裂嵌件能够防止木材表面发生开裂现象。

3.9 提供的部件：

轨道动作机动锯 (带锯条)、护罩、除尘模块、防裂嵌件、操作说明、内六角扳手。

您可以在您当地的 Hilti 中心或通过在线访问 www.hilti.com 找到批准用于您的产品的其它系统产品

4 技术数据

4.1 轨道动作机动锯

i 当通过发电机或变压器供电时，发电机或变压器的输出功率必须至少达到本电动工具铭牌上显示的额定输入功率的两倍。变压器或发电机的工作电压必须始终保持在本电动工具额定电压的 +5% 和 -15% 范围内。

给出的信息适用于 230 V 额定电压。在偏离额定电压的情况下，或针对特定国家的版本不同，数据可能有所区别。有关电动工具额定电压、频率、电流和输入功率额定值的详细信息，请参见其铭牌。

	SJD 6
额定输入功率	850 W
重量 (按照 EPTA 程序 01)	2.4 kg
空载时的冲数	80 rpm ... 3,000 rpm
冲程长度	28 mm
对于木材的最大切割性能	150 mm
对于铝材的最大切割性能	25 mm
对于非合金钢的最大切割性能	10 mm
切割角度 (左/右)	0°、15°、30°、45°
吸尘适配器外径	27.5 mm

4.2 噪音信息和振动值按照 EN 62841 标准

这些说明中给出的声压和振动值按照标准化测试的要求测得，可用于比较一种电动工具与另一种电动工具。它们还可用于初步评价受振动影响的程度。

提供的数据代表本电动工具的主要应用。但是，如果将电动工具用于不同的应用、使用不同的配套工具或维护不良，则数据可能不同。这可能会显著增加操作者在整个工作期间受振动影响的程度。

对受振动影响程度的准确估计还应考虑当关闭电动工具或当它运行但实际未进行工作时的情况。这可能会显著减小操作者在整个工作期间受振动影响的程度。

此外，应确定附加安全措施，以保护操作者免受噪音和/或振动影响，例如：正确维护电动工具和配套工具、保持双手温暖、制订合理的工作计划等。

噪声排放值

	SJD 6
声功率级 (L_{WA})	100.5 dB(A)
声功率级的不确定性 (K_{WA})	5 dB(A)
声压级 (L_{pA})	89.5 dB(A)
声压级的不确定性 (K_{pA})	5 dB(A)



总振动量

	SJD 6
锯切木板时的振动排放值 ($a_{h,B}$)	9.7 m/s ²
锯切金属板材时的振动排放值 ($a_{h,M}$)	8.0 m/s ²
不确定性 (K)	1.5 m/s ²

5 使用加长电缆



-警告-

损坏的电源线会构成危险！在工作时，不要接触已损坏的电源线或加长电缆。将电源线插头从电源插座上断开。

- ▶ 定期检查设备的电源线，如果发现损坏，则让有资格的专业人员进行更换。
- 请仅使用型号获准用于相关应用且导线尺寸（横截面）适当的加长电缆。否则可能会削弱电动工具性能，且加长电缆可能会过热。
- 定期检查加长电缆是否损坏。
- 更换已损坏的加长电缆。
- 当在户外工作时，应只能使用具有相应标记且准许户外使用的加长电缆。



有关推荐的最小导体横截面积和电缆长度的信息，可通过本文档末尾二维码链接进行访问。

6 工作现场的准备工作



-小心-

人身伤害的危险！产品意外启动。

- ▶ 对电动工具进行任何调节前或更换配件前，先拔出电源线插头。

请遵守本文中以及产品上的安全说明和警告。

6.1 安装锯条

1. 将电源线插头从电源插座上断开。
2. 将锯条推入（锯齿面朝切割方向）锯条夹，直至其接合。
3. 握住并拉动锯条，以检查其是否牢牢固定。

6.2 安装防护装置

- ▶ 从前侧将防护装置推上产品，直到其卡入到位。

6.3 安装吸尘适配器

1. 从后侧将吸尘适配器沿水平方向推上底座，直到两个锁扣在侧面接合。
2. 将真空吸尘器软管连接至吸尘适配器。

6.4 设置轨道动作

1. 为所要执行的任务确定正确的轨道工作设置，并使用合适的锯条。
2. 将轨道动作调节杆设置为四种设置 → 页码 156 之一。

6.5 调整冲数



为所要执行的任务确定正确的设置，并使用合适的锯条。

- ▶ 将冲数调节器拇指旋轮设为 1 (低) 至 6 (高) 之间的设置。



6.6 设置切割角

1. 拆下吸尘适配器。→ 页码 160
2. 将夹紧杆向后旋转 90° (朝着工具后部)。
3. 设置所需的切割角度 (0°、15°、30° 或 45°)。
4. 将夹紧杆向前旋转 90° (朝着工具前部)。
 - ▶ 底座已牢固夹紧。
5. 安装吸尘适配器。→ 页码 158

6.7 安装防裂嵌件



防裂嵌件仅可用于与之配套的锯条。

1. 将电源线插头从电源插座上断开。
2. 从下方将防裂嵌件按入底座。

7 工作类型



警告

损坏的电源线会构成安全隐患！如果电源线或加长电缆在作业过程中损坏，应立即从电源上断开设备和电缆。不得触碰电缆的受损部分。

- ▶ 定期检查所有电源线。更换损坏的加长电缆。让具有资质的专业人员更换损坏的电源线。

建议使用最大跳闸电流为 30 mA 的接地故障断路器 (剩余电流装置, RCD)。

7.1 除尘系统



吸尘器可降低粉尘排放，通过提高切割线的可见性增强工作安全性，同时减少工作场所中与粉尘和木屑的接触。

1. 安装防护装置。→ 页码 158
2. 如果您计划长时间加工木材或其它材料，请连接除尘模块和吸尘器，因为此类操作会产生高浓度的粉尘。

7.2 打开

1. 按下“打开/关闭”开关。
2. 要锁定开关，在随后按下锁止按钮。
3. 要解锁锁止按钮，再次按下“打开/关闭”开关。

7.3 切入式锯割

1. 将轨道动作调节杆设置为位置 0。
2. 使底座前缘接触到工件。
3. 牢固固定产品并按下“打开/关闭”开关。
4. 将产品紧紧压靠在工件上，通过缓慢减小切入角开始切入式锯割。
5. 一旦锯条切穿工件，将产品调整到其正常工作位置。
 - ▶ 底座随即平置于工作面。
6. 继续沿着切割线锯割。

7.4 关闭

- ▶ 释放“打开/关闭”开关。



8 拆除

-小心-

人身伤害的危险！产品意外启动。

- ▶ 对电动工具进行任何调节前或更换配件前，先拔出电源线插头。

请遵守本文档以及产品上的安全说明和警告。

8.1 拆下吸尘适配器

1. 向内按下两个固定锁扣。
2. 向后拉动吸尘适配器，以将其从底座上拆下。
3. 将真空吸尘器软管从吸尘适配器上断开。

8.2 拆下防护装置

- ▶ 略微倾斜防护装置，并将其向前拉离。

8.3 弹出锯条

-警告-

人身伤害的危险。不受控制的锯条弹出操作会导致受伤。

- ▶ 当弹出锯条时，以不会伤及人或动物的方式固定产品。

1. 将电源线插头从电源插座上断开。
2. 将锯条释放杆向侧面推到底。
 - ▶ 将释放并弹出锯条。

9 维护和保养

-警告-

电击危险！如果试图在电源线连接电源插座的情况下执行保养和维护，则会导致严重受伤和烫伤。

- ▶ 执行维护和保养任务之前，请务必拔下电源线。

保养

- 仔细清除可能粘附在部件上的所有污垢。
- 使用干燥的刷子小心清洁通风孔。
- 请仅使用略湿的布清洁壳体。不要使用含硅清洁剂，否则可能腐蚀塑料件。

维护

-警告-

电击危险！电气部件的不当维修会造成包括灼伤在内的严重人身伤害。

- ▶ 工具或设备的电气系统只能由受过培训的电气专业人员进行维修。

- 定期检查所有可见部件和控制器是否出现损坏迹象，确保其全部正常工作。
- 如果发现损坏迹象或如果有部件发生故障，不要操作本产品。应立即送交 **Hilti** 维修中心进行维修。
- 清洁和维护之后，安装所有防护罩或保护装置，检查并确认其正常工作。



为确保安全和可靠的操作，仅限使用喜利得原装备件和消耗品。Hilti 批准用于配合产品使用的备件、消耗品和配件可到您当地的 **Hilti Store** 购买或通过以下网址在线订购：www.hilti.group。

9.1 清洁吸尘适配器

1. 将电源线插头从电源插座上断开。
2. 将真空吸尘器软管从吸尘适配器上断开。
3. 拆下吸尘适配器。→ 页码 160
4. 清洁吸尘适配器。
5. 检查并确认锁扣完好无损。
6. 安装吸尘适配器。→ 页码 158



9.2 清洁锯条

1. 定期清洁用过的锯条中的树脂沉积物。
2. 将锯条浸没在煤油 (石蜡油) 或市售树脂清洁剂中达 24 小时。

10 运输和存放

运输

- ▶ 运输本产品时，其上不得安装有配套工具。
- ▶ 请确保产品在整个运输过程中牢牢固定。
- ▶ 完成运输后，务必检查所有可见部件和控制器是否有损坏迹象，确保其全部正常工作。

存放

- ▶ 存放本产品时，务必从电源插座上拔下电源线。
- ▶ 将本产品存放在儿童或非授权人员无法接近的干燥位置。
- ▶ 本产品长期闲置后，务必检查所有可见部件和控制器是否有损坏迹象，确保其全部正常工作。

11 故障排除

如果您碰到的问题未在此表中列出或您无法自己实施补救措施，请联系 **Hilti** 维修中心。

故障	可能原因	解决方案
锯条掉出。	锯条没有正确接合。	<ul style="list-style-type: none"> ▶ 重复插入步骤。 ▶ 确保锯条夹完全打开且迎着弹簧阻力将锯条推到底。
	夹持系统被异物堵塞。	<ul style="list-style-type: none"> ▶ 清洁锯条夹。
锯条无法插入。	夹持系统被异物堵塞。	<ul style="list-style-type: none"> ▶ 清洁锯条夹。
轨道动作无法调节。	轨道动作调节杆沟槽中有异物。	<ul style="list-style-type: none"> ▶ 清洁轨道动作调节杆沟槽。
轨道动作不起作用。	轨道动作机构被异物堵塞。	<ul style="list-style-type: none"> ▶ 检查轨道动作叉区域内是否有异物，并加以清洁。
	轨道动作调节杆处于位置“0”。	<ul style="list-style-type: none"> ▶ 将其调节到所需设置。
电动工具发烫。	电气故障。	<ul style="list-style-type: none"> ▶ 立即关闭电动工具并拔下电源线插头。 ▶ 让电动工具冷却下来，并联系 Hilti 维修中心。

12 废弃处置

大部分用于 **Hilti** 工具和设备生产的材料是可回收利用的。在可以回收之前，必须正确分离材料。在很多国家，您的旧工具、机器或设备可送至 **Hilti** 进行回收。敬请联系 **Hilti** 服务部门或您的喜利得公司代表获得更多信息。



- ▶ 不得将电动工具、电子设备或电池作为生活垃圾处置！

13 RoHS (有害物质限制)

单击链接，跳转至有害物质表：qr.hilti.com/r5212956
 文档末尾提供二维码形式的 RoHS 表链接。

14 制造商保修

- ▶ 如果您有保修条件方面的问题，请联系您当地的 **Hilti** 公司代表。





EC Declaration of Conformity | UK Declaration of Conformity



Manufacturer:
Hilti Corporation
Feldkircherstraße 100
9494 Schaan | Liechtenstein

Importer:
Hilti (Gt. Britain) Limited
1 Trafford Wharf Road, Old Trafford
Manchester, M17 1BY

SJD 6 (01)

Serial Numbers: 1-9999999999

2006/42/EC | Supply of Machinery (Safety)
Regulations 2008

EN 62841-1:2015

EN 62841-2-11:2016

2014/30/EU | Electromagnetic Compatibility
Regulations 2016

EN 55014-1:2017 +
A11:2020

EN 55014-2:2015

2011/65/EU | The Restriction of the Use of
Certain Hazardous Substances in Electrical and
Electronic Equipment Regulations 2012

EN 61000-3-2:2019

EN 61000-3-3:2013 + A1:2019

Dr. Tahar Zrilli
Head of Quality and Process Management
Business Area Electric Tools & Accessories

Schaan, 27.07.2021

Tassilo Deinzer
Executive Vice President
Business Unit Power Tools & Accessories





Hilti Corporation
LI-9494 Schaan
Tel.:+423 234 21 11
Fax:+423 234 29 65
www.hilti.group



2150158