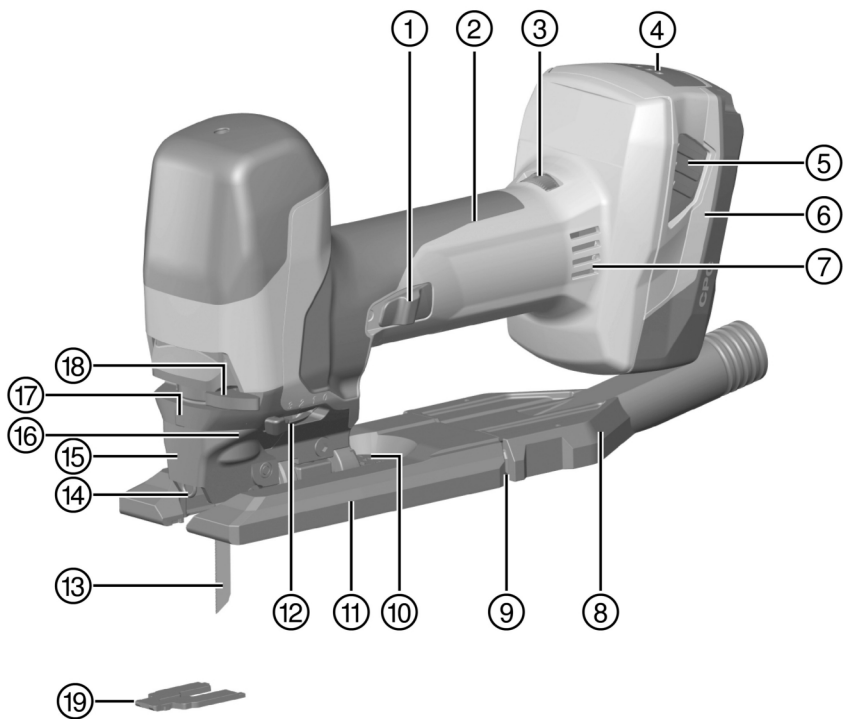
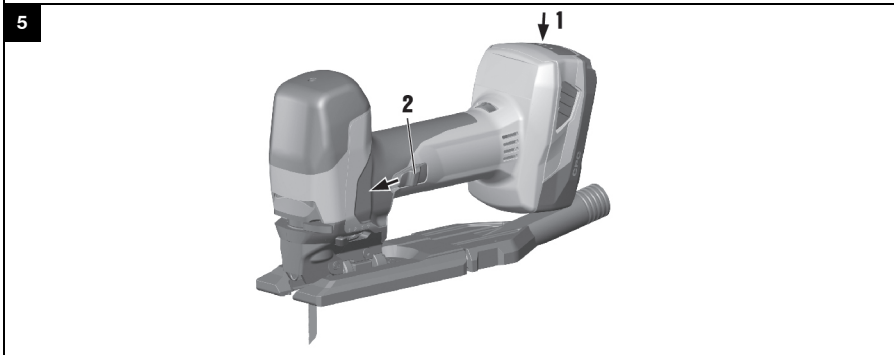
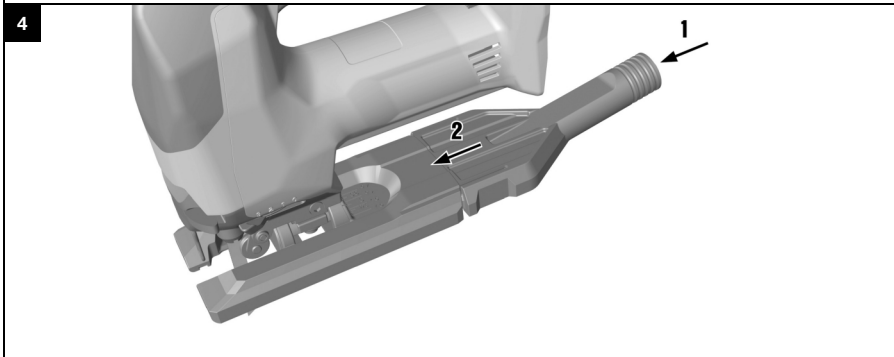
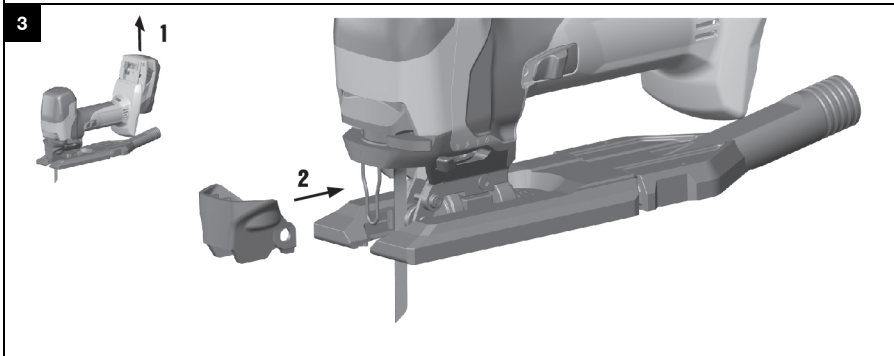
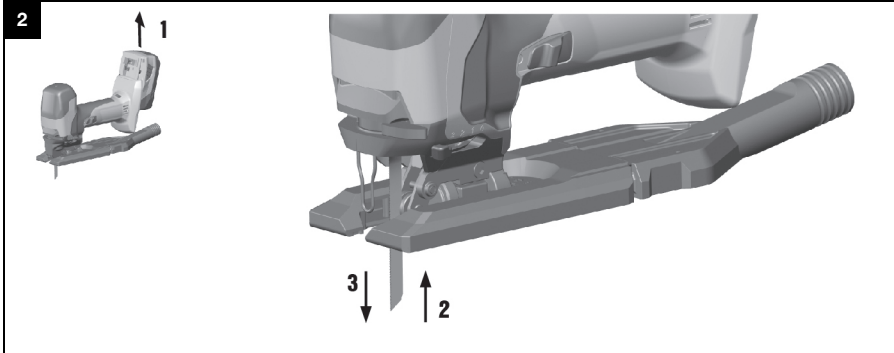


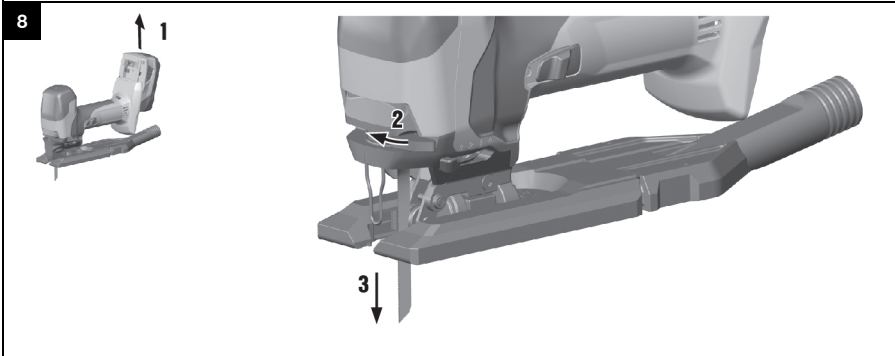
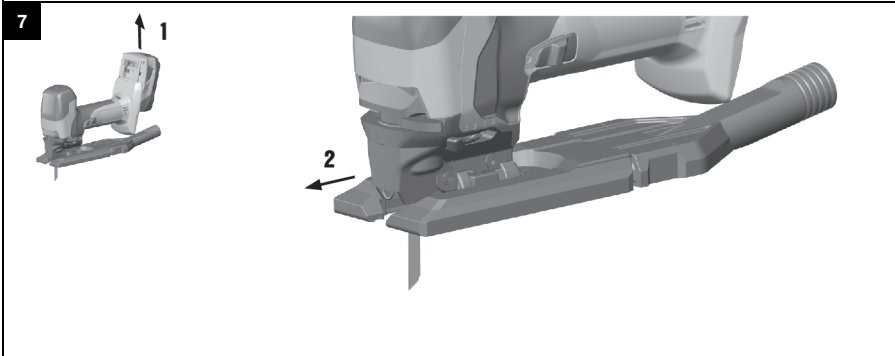
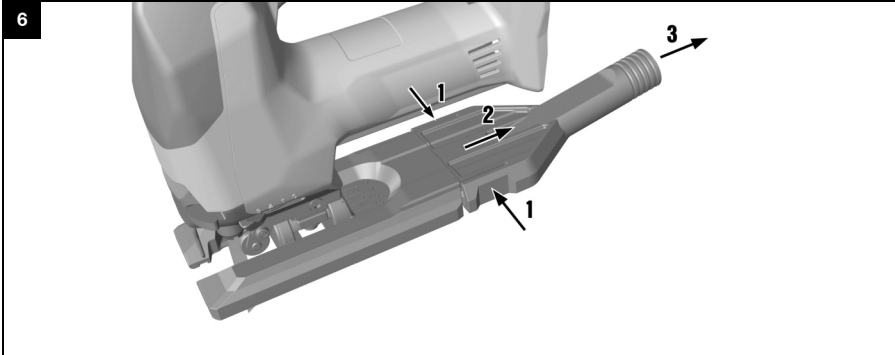


SJT 6-A22

English	1
Eesti	12
Latviešu	24
Lietuvių	36
Русский	48
Українська	62
Қазақ	75
Română	89
Ελληνικά	102
Türkçe	115
日本語	126
한국어	138
繁體中文	149
中文	159







# SJT 6-A22

en	Original operating instructions	1
et	Originaalkasutusjuhend	12
lv	Originālā lietošanas instrukcija	24
lt	Originali naudojimo instrukcija	36
ru	Перевод оригинального руководства по эксплуатации	48
uk	Оригінальна інструкція з експлуатації	62
kk	Түпнұсқа пайдалану бойынша нұсқаулық	75
ro	Manual de utilizare original	89
el	Πρωτότυπες οδηγίες χρήσης	102
tr	Orijinal kullanım kılavuzu	115
ja	オリジナル取扱説明書	126
ko	오리지널 사용 설명서	138
zh	原始操作說明	149
cn	原版操作说明	159



# Original operating instructions

## 1 Information about the operating instructions

### 1.1 About these operating instructions

- Read these operating instructions before the product is used or operated for the first time. This is a prerequisite for safe, trouble-free handling and use of the product.
- Observe the safety instructions and warnings in these operating instructions and on the product.
- Always keep the operating instructions with the product and make sure that the product is accompanied by these operating instructions only, when the product is given to other persons.

### 1.2 Explanation of symbols used

#### 1.2.1 Warnings

Warnings alert persons to hazards that occur when handling or using the product. The following signal words are used:

#### **DANGER**

##### **DANGER !**

- ▶ Draws attention to imminent danger that will lead to serious personal injury or fatality.

#### **WARNING**

##### **WARNING !**

- ▶ Draws attention to a potential threat of danger that can lead to serious injury or fatality.





#### **CAUTION**

##### **CAUTION !**

- ▶ Draws attention to a potentially dangerous situation that could lead to personal injury or damage to the equipment or other property.





#### 1.2.2 Symbols in the documentation

The following symbols are used in this document:

	Read the operating instructions before use.
	Instructions for use and other useful information
	Dealing with recyclable materials
	Do not dispose of electric equipment and batteries as household waste

#### 1.2.3 Symbols in the illustrations

The following symbols are used in illustrations:

	These numbers refer to the corresponding illustrations found at the beginning of these operating instructions
	The numbering reflects the sequence of operations shown in the illustrations and may deviate from the steps described in the text
	Item reference numbers are used in the <b>overview illustrations</b> and refer to the numbers used in the <b>product overview section</b>
	This symbol is intended to draw special attention to certain points when handling the product.



### 1.3 Product-dependent symbols

#### 1.3.1 Symbols on the product

The following symbols can be used on the product:

	Stroke rate under no load
	Direct current (DC)
	The product supports wireless data transmission compatible with iOS and Android platforms.
Li-ion	Li-ion battery
	<b>Hilti</b> Li-ion battery type series used. Observe the information given in the section headed <b>Intended use</b> .
	Never use the battery as a striking tool.
	Do not drop the battery. Never use a battery that has suffered an impact or is damaged in any other way.

### 1.4 Product information

products are designed for professional users and only trained, authorized personnel are permitted to operate, service and maintain the products. This personnel must be specifically informed about the possible hazards. The product described and its ancillary equipment can present hazards if used incorrectly by untrained personnel or if used not in accordance with the intended use.

The type designation and serial number are printed on the type identification plate.

- ▶ Write down the serial number in the table below. Always quote this information when you contact a Hilti representative or Hilti Service to inquire about the product.

#### Product information

Orbital-action jig saw	SJT 6-A22
Generation	01
Serial no.	

### 1.5 Declaration of conformity

We declare, on our sole responsibility, that the product described here complies with the applicable directives and standards. A copy of the declaration of conformity can be found at the end of this documentation.

The technical documentation is filed here:

**Hilti** Entwicklungsgesellschaft mbH | Tool Certification | Hiltistrasse 6 | 86916 Kaufering, Germany

## 2 Safety

### 2.1 General power tool safety warnings

**WARNING** Read all safety warnings, instructions, illustrations and specifications provided with this power tool. Failure to follow all instructions listed below may result in electric shock, fire and/or serious injury. **Save all warnings and instructions for future reference.**

The term "power tool" in the warnings refers to your mains-operated (corded) power tool or battery-operated (cordless) power tool.

#### Work area safety

- ▶ **Keep work area clean and well lit.** Cluttered or dark areas invite accidents.
- ▶ **Do not operate power tools in explosive atmospheres, such as in the presence of flammable liquids, gases or dust.** Power tools create sparks which may ignite the dust or fumes.
- ▶ **Keep children and bystanders away while operating a power tool.** Distractions can cause you to lose control.





### Electrical safety

- ▶ **Power tool plugs must match the outlet. Never modify the plug in any way. Do not use any adapter plugs with earthed (grounded) power tools.** Unmodified plugs and matching outlets will reduce risk of electric shock.
- ▶ **Avoid body contact with earthed or grounded surfaces, such as pipes, radiators, ranges and refrigerators.** There is an increased risk of electric shock if your body is earthed or grounded.
- ▶ **Do not expose power tools to rain or wet conditions.** Water entering a power tool will increase the risk of electric shock.
- ▶ **Do not abuse the cord. Never use the cord for carrying, pulling or unplugging the power tool. Keep cord away from heat, oil, sharp edges or moving parts.** Damaged or entangled cords increase the risk of electric shock.
- ▶ **When operating a power tool outdoors, use an extension cord suitable for outdoor use.** Use of a cord suitable for outdoor use reduces the risk of electric shock.
- ▶ **If operating a power tool in a damp location is unavoidable, use a residual current device (RCD) protected supply.** Use of an RCD reduces the risk of electric shock.

### Personal safety

- ▶ **Stay alert, watch what you are doing and use common sense when operating a power tool. Do not use a power tool while you are tired or under the influence of drugs, alcohol or medication.** A moment of inattention while operating power tools may result in serious personal injury.
- ▶ **Use personal protective equipment. Always wear eye protection.** Protective equipment such as a dust mask, non-skid safety shoes, hard hat or hearing protection used for appropriate conditions will reduce personal injuries.
- ▶ **Prevent unintentional starting. Ensure the switch is in the off-position before connecting to power source and/or battery pack, picking up or carrying the tool.** Carrying power tools with your finger on the switch or energising power tools that have the switch on invites accidents.
- ▶ **Remove any adjusting key or wrench before turning the power tool on.** A wrench or a key left attached to a rotating part of the power tool may result in personal injury.
- ▶ **Do not overreach. Keep proper footing and balance at all times.** This enables better control of the power tool in unexpected situations.
- ▶ **Dress properly. Do not wear loose clothing or jewellery. Keep your hair and clothing away from moving parts.** Loose clothes, jewellery or long hair can be caught in moving parts.
- ▶ **If devices are provided for the connection of dust extraction and collection facilities, ensure these are connected and properly used.** Use of dust collection can reduce dust-related hazards.
- ▶ **Do not let familiarity gained from frequent use of tools allow you to become complacent and ignore tool safety principles.** A careless action can cause severe injury within a fraction of a second.

### Power tool use and care

- ▶ **Do not force the power tool. Use the correct power tool for your application.** The correct power tool will do the job better and safer at the rate for which it was designed.
- ▶ **Do not use the power tool if the switch does not turn it on and off.** Any power tool that cannot be controlled with the switch is dangerous and must be repaired.
- ▶ **Disconnect the plug from the power source and/or remove the battery pack, if detachable, from the power tool before making any adjustments, changing accessories, or storing power tools.** Such preventive safety measures reduce the risk of starting the power tool accidentally.
- ▶ **Store idle power tools out of the reach of children and do not allow persons unfamiliar with the power tool or these instructions to operate the power tool.** Power tools are dangerous in the hands of untrained users.
- ▶ **Maintain power tools and accessories. Check for misalignment or binding of moving parts, breakage of parts and any other condition that may affect the power tool's operation. If damaged, have the power tool repaired before use.** Many accidents are caused by poorly maintained power tools.
- ▶ **Keep cutting tools sharp and clean.** Properly maintained cutting tools with sharp cutting edges are less likely to bind and are easier to control.
- ▶ **Use the power tool, accessories and tool bits etc. in accordance with these instructions, taking into account the working conditions and the work to be performed.** Use of the power tool for operations different from those intended could result in a hazardous situation.
- ▶ **Keep handles and grasping surfaces dry, clean and free from oil and grease.** Slippery handles and grasping surfaces do not allow for safe handling and control of the tool in unexpected situations.



**Battery tool use and care**

- ▶ **Recharge only with the charger specified by the manufacturer.** A charger that is suitable for one type of battery pack may create a risk of fire when used with another battery pack.
- ▶ **Use power tools only with specifically designated battery packs.** Use of any other battery packs may create a risk of injury and fire.
- ▶ **When battery pack is not in use, keep it away from other metal objects, like paper clips, coins, keys, nails, screws or other small metal objects, that can make a connection from one terminal to another.** Shorting the battery terminals together may cause burns or a fire.
- ▶ **Under abusive conditions, liquid may be ejected from the battery; avoid contact. If contact accidentally occurs, flush with water. If liquid contacts eyes, additionally seek medical help.** Liquid ejected from the battery may cause irritation or burns.
- ▶ **Do not use a battery pack or tool that is damaged or modified.** Damaged or modified batteries may exhibit unpredictable behaviour resulting in fire, explosion or risk of injury.
- ▶ **Do not expose a battery pack or tool to fire or excessive temperature.** Exposure to fire or temperature above 130° C (265 °F) may cause explosion.
- ▶ **Follow all charging instructions and do not charge the battery pack or tool outside the temperature range specified in the instructions.** Charging improperly or at temperatures outside the specified range may damage the battery and increase the risk of fire.

**Service**

- ▶ **Have your power tool serviced by a qualified repair person using only identical replacement parts.** This will ensure that the safety of the power tool is maintained.
- ▶ **Never service damaged battery packs.** Service of battery packs should only be performed by the manufacturer or authorized service providers.

**2.2 Safety instructions for reciprocating saws**

- ▶ **Hold the power tool by insulated gripping surfaces, when performing an operation where the cutting accessory may contact hidden wiring.** Cutting accessory contacting a "live" wire may make exposed metal parts of the power tool "live" and could give the operator an electric shock.
- ▶ **Use clamps or another practical way to secure and support the workpiece to a stable platform.** Holding the workpiece by hand or against your body leaves it unstable and may lead to loss of control.

**2.3 Additional safety instructions****Personal safety**

- ▶ Use the power tool only when it is in technically faultless condition.
- ▶ Never tamper with or modify the tool in any way.
- ▶ Keep the grips clean and dry.
- ▶ Suitable protective glasses, ear protection and protective gloves must be worn while the power tool is in use.
- ▶ Wear protective gloves when changing the accessory tool. Touching the accessory tool presents a risk of injury (cuts or burns).
- ▶ Wear eye protection. Flying fragments present a risk of injury to the body and eyes.
- ▶ Do not look directly into the light source (LEDs) incorporated in the power tool and do not direct the light at other persons' faces. This presents a risk of dazzling or eye damage.
- ▶ Before beginning the work, check the hazard classification of the dust that will be produced. Use an industrial vacuum cleaner with an officially approved protection classification in compliance with locally applicable dust protection regulations.
- ▶ Make sure that the workplace is well ventilated and, where necessary, wear a respirator appropriate for the type of dust generated. Contact with or inhalation of the dust may cause allergic reactions and/or respiratory or other diseases to the operator or bystanders. Certain kinds of dust are classified as carcinogenic such as oak and beech dust, especially in conjunction with additives for wood conditioning (chromate, wood preservative). Material containing asbestos may be handled only by specialists.
- ▶ Take breaks between working and do physical exercises to improve the blood circulation in your fingers. Exposure to vibration during long periods of work can lead to disorders of the blood vessels and nervous system in the fingers, hands and wrists.

**Electrical safety**

- ▶ Before beginning work, check the working area for concealed electric cables or gas and water pipes. External metal parts of the power tool may give you an electric shock if you damage an electric cable accidentally.



### Careful handling and use of electric tools

- ▶ Secure the workpiece. A workpiece clamped in a vice or secured by some other clamping device is more secure than when held only by hand.

### Special safety instructions for jig saws

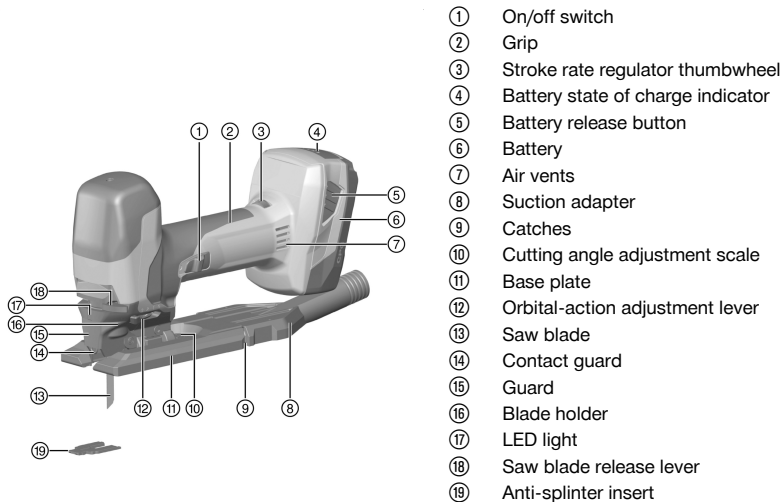
- ▶ Always guide the product away from your body when working with it.
- ▶ Never position your hands ahead of or on the saw blade.
- ▶ Never cut into unknown materials and keep the line of cut above and below the workpiece free of obstacles.
- ▶ Never reach or grip below the workpiece while cutting.

## 2.4 Careful handling and use of batteries

- ▶ Observe the special guidelines applicable to the transport, storage and use of lithium-ion batteries.
- ▶ Do not expose batteries to high temperatures, direct sunlight or fire.
- ▶ Do not disassemble, crush or incinerate batteries and do not subject them to temperatures over 80 °C (176 °F).
- ▶ Do not use or charge batteries that have suffered mechanical impact, have been dropped from a height or show signs of damage. In this case, always contact your **Hilti Service**.
- ▶ If the battery is too hot to touch it may be defective. Put the battery in a place where it is clearly visible and where there is no risk of fire, at an adequate distance from flammable materials. Allow the battery to cool down. If it is still too hot to touch after an hour, the battery is faulty. Contact **Hilti Service**.

## 3 Description

### 3.1 Product overview



### 3.2 Intended use

The product described is a hand-held cordless orbital-action jig saw. It is designed to be used for cutting plastic, wood and metal as well as drywall board and gypsum fiberboard.

The product is equipped with a removable connector for an optional vacuum cleaner / dust removal hose. This connector is designed to fit standard suction hoses. In order to connect the suction hose to the product, use of a suitable adapter may be necessary.



- ▶ Use only **Hilti** Li-ion batteries of the B 22 series with this product.
- ▶ Use only **Hilti** battery chargers of the C4/36 series to charge these batteries.
- ▶ Use this product only with saw blades equipped with a T-shank.


### 3.3 Possible misuse

- Use of the product to cut off tree branches or to cut the trunk of a tree is not permissible.
- Use of the product to cut hazardous materials is not permissible.
- Use of the product in a damp or wet environment is not permissible.

### 3.4 State of charge display

The charge state of the Li-ion battery is displayed after pressing one of the release buttons lightly (press only until slight resistance is felt).

Status	Meaning
4 LEDs light.	Charge state: 75 % to 100 %
3 LEDs light.	Charge state: 50 % to 75 %
2 LEDs light.	Charge state: 25 % to 50 %
1 LED lights.	Charge state: 10 % to 25 %
1 LED blinks.	Charge state: < 10 %

 Battery charge status cannot be displayed while the control switch is pressed and for up to 5 seconds after releasing the control switch. If the battery charge state LEDs blink, please refer to the information given in the Troubleshooting section.

### 3.5 Dust blower

The dust blower directs a jet of air toward the saw blade in order to keep the cutting line free of dust.

### 3.6 Stroke rate

The stroke rate can be adjusted by turning the thumbwheel. Position 1 corresponds to 800 strokes per minute and position 6 corresponds to 3000 strokes per minute.

### 3.7 4 orbital-action settings

The 4 orbital-action settings allow cutting performance and quality of cut to be adjusted to suit the material to be cut. The orbital-action adjustment lever is used to set the power tool to one of the 4 settings.

The lower the orbital-action setting, the finer and cleaner the cut edges will be. The optimum setting can be determined by carrying out practical tests.

Status	Meaning
Position 0	No orbital action
Position 1	Low orbital action
Position 2	Medium orbital action
Position 3	High orbital action

### 3.8 Anti-splinter insert

The product can be equipped with an anti-splinter insert.

The anti-splinter insert helps prevent splintering on the surface of wood materials when cutting.

### 3.9 Automatic switch-off

If the on/off switch is pressed continuously for longer than 15 minutes (e.g. during transport or storage), the tool switches itself off automatically. This prevents deep discharge of the battery.



### 3.10 Items supplied

Orbital-action jig saw with saw blade, guard, dust removal adapter, anti-splinter insert, operating instructions, hex key.

You can find other system products approved for your product at your local **Hilti** Center or online at: [www.hilti.com](http://www.hilti.com)

## 4 Technical data

### 4.1 Orbital-action jig saw

	<b>SJT 6-A22</b>
<b>Rated voltage</b>	21.6 V
<b>Weight in accordance with EPTA Procedure 01 including B228.0 battery</b>	3.2 kg
<b>Stroke length</b>	28 mm
<b>Stroke rate under no load (n<sub>0</sub>)</b>	800 /min ... 3,000 /min
<b>Maximum cutting performance in wood</b>	150 mm
<b>Maximum cutting performance in aluminium</b>	25 mm
<b>Maximum cutting performance in unalloyed steel</b>	10 mm
<b>Cutting angle (left/right)</b>	0° ... 45°
<b>Suction adapter outside diameter</b>	27.5 mm
<b>Storage temperature</b>	-20 °C ... 70 °C
<b>Ambient temperature for operation</b>	-17 °C ... 60 °C
<b>Battery charging starting temperature</b>	-10 °C ... 45 °C
<b>Storage temperature</b>	-20 °C ... 40 °C
<b>Ambient temperature for operation</b>	-17 °C ... 60 °C

### 4.2 Noise information and vibration values in accordance with EN 62841

The sound pressure and vibration values given in these instructions were measured in accordance with a standardized test and can be used to compare one power tool with another. They can also be used for a preliminary assessment of exposure.

The data given represent the main applications of the power tool. However, if the power tool is used for different applications, with different accessory tools, or is poorly maintained, the data can vary. This can significantly increase exposure over the total working period.

An accurate estimation of exposure should also take into account the times when the tool is switched off, or when it is running but not actually being used for a job. This can significantly reduce exposure over the total working period.

Identify additional safety measures to protect the operator from the effects of noise and/or vibration, for example: maintaining the power tool and accessory tools, keeping the hands warm, organization of work patterns.

#### Noise emission values

	<b>SJT 6-A22</b>
<b>Sound power level (L<sub>WA</sub>)</b>	100 dB(A)
<b>Uncertainty for the sound power level (K<sub>WA</sub>)</b>	5 dB(A)
<b>Sound pressure level (L<sub>pA</sub>)</b>	89 dB(A)
<b>Uncertainty for the sound pressure level (K<sub>pA</sub>)</b>	5 dB(A)

#### Total vibration

	<b>SJT 6-A22</b>
<b>Vibration emission value for sawing wood sheets (a<sub>n,B</sub>)</b>	5.0 m/s <sup>2</sup>
<b>Uncertainty sawing chipboard (K)</b>	1.5 m/s <sup>2</sup>
<b>Vibration emission value for sawing sheet metal (a<sub>n,M</sub>)</b>	7.9 m/s <sup>2</sup>
<b>Uncertainty sawing sheet metal (K)</b>	1.5 m/s <sup>2</sup>



## 5 Battery

Battery operating voltage	21.6 V
Ambient temperature for operation	-17 °C ... 60 °C
Storage temperature	-20 °C ... 40 °C
Battery charging starting temperature	-10 °C ... 45 °C

## 6 Preparations at the workplace

### WARNING

#### Risk of injury by inadvertent starting!

- ▶ Before inserting the battery, make sure that the product is switched off.
- ▶ Remove the battery before making any adjustments to the power tool or before changing accessories.

Observe the safety instructions and warnings in this documentation and on the product.

### 6.1 Charging the battery

1. Before charging the battery, read the operating instructions for the charger.
2. Make sure that the contacts on the battery and the contacts on the charger are clean and dry.
3. Use an approved charger to charge the battery. → page 5

### 6.2 Inserting the battery

#### WARNING

#### Risk of injury by short circuit or falling battery!

- ▶ Before inserting the battery, make sure that the contacts on the battery and the contacts on the product are free of foreign matter.
  - ▶ Make sure that the battery always engages correctly.
1. Charge the battery fully before using it for the first time.
  2. Push the battery into the product until it engages with an audible click.
  3. Check that the battery is seated securely.

### 6.3 Removing the battery

1. Press the battery release buttons.
2. Remove the battery from the tool.

### 6.4 Fitting the saw blade

1. Remove the battery.
2. Push the saw blade (teeth facing the cutting direction) into the blade holder until it engages.
3. Grip and pull the saw blade to check that it is held securely.

### 6.5 Fitting the guard

1. Remove the battery.
2. Push the guard onto the power tool from the front until it clicks into place.



The guard can be fitted only when the base plate is in the normal position (zero degrees position).

### 6.6 Fitting the dust removal adapter

1. Push the dust removal adapter on to the base plate horizontally from the rear until both catches engage at the side.
2. Connect the vacuum cleaner hose to the dust removal adapter.



## 7 Operation

Observe the safety instructions and warnings in this documentation and on the product.

### 7.1 Using a dust extractor



The dust extractor reduces dust emissions, increases working safety by providing better visibility of the cutting line and reduces exposure to dust and wood chips at the workplace.

1. Fit the guard. → page 8
2. Always use a dust extractor when working over a lengthy period with wood or materials that can cause high dust concentrations.

### 7.2 Switching on

1. Insert the battery.



A safety interlock ensures that the tool doesn't start when the tool is first switched on and the battery then fitted, i.e. slid into place on the tool.

Pull the on/off switch back and then slide it forward again.

2. To switch the tool on, slide the on/off switch forward.

### 7.3 Plunge cutting

1. Set the orbital-action adjusting lever to position 0.
2. Bring the front edge of the base plate into contact with the workpiece.
3. Hold the product securely and press the on/off switch.
4. Press the product firmly against the workpiece and begin the plunge cut by slowly reducing the angle of attack.
5. Once the blade has penetrated right through the workpiece, bring the product into its normal working position.
  - ▶ The base plate then lies flat on the working surface.
6. Continue to saw along the cutting line.

### 7.4 Switching off

- ▶ To switch the tool off, slide the on/off switch back.

## 8 Removal

### 8.1 Removing the suction adapter

1. Press the two retaining catches inwards.
2. Pull the suction adapter away from the base plate toward the rear.
3. Pull the vacuum cleaner hose off the suction adapter.

### 8.2 Removing the guard

1. Remove the battery.
2. Tilt the guard slightly and pull it off toward the front.

### 8.3 Ejecting the saw blade



#### WARNING

**Risk of injury.** Uncontrolled ejection of the saw blade can lead to injury.

- ▶ When ejecting the saw blade, hold the product in such a way that it presents no risk of injury to persons or animals.

1. Remove the battery.
2. Push the saw blade release lever to the side, as far as it will go.
  - ▶ The saw blade will be released and ejected.



**⚠ WARNING****Risk of injury with battery inserted !**

- ▶ Always remove the battery before carrying out care and maintenance tasks!
- 

**Care of the product**

- Carefully remove stubborn dirt.
- Carefully clean the air vents, if present, with a dry, soft brush.
- Use only a slightly damp cloth to clean the housing. Do not use cleaning agents containing silicone as these can attack the plastic parts.
- Use a dry, clean cloth to clean the contacts of the product.

**Care of the Li-ion batteries**

- Never use a battery with clogged air vents. Clean the air vents carefully using a dry, soft brush.
- Avoid unnecessary exposure of the battery to dust and dirt. Never expose the battery to high levels of moisture (e.g. by being dipped in water or left in the rain).  
If a battery has been soaked by moisture, treat it as a damaged battery. Isolate it in a non-flammable container and consult **Hilti Service**.
- Keep the battery free of extraneous oil and grease. Do not permit dust or dirt to accumulate unnecessarily on the battery. Clean the battery with a dry, soft brush or a clean, dry cloth. Do not use cleaning agents containing silicone as these can attack the plastic parts.  
Do not touch the contacts of the battery and do not remove the factory-applied grease from the contacts.
- Use only a slightly damp cloth to clean the housing. Do not use cleaning agents containing silicone as these can attack the plastic parts.

**Maintenance**

- Check all visible parts and controls for signs of damage at regular intervals and make sure that they all function correctly.
  - Do not use the product if signs of damage are found or if parts malfunction. Immediately have the product repaired by **Hilti Service**.
  - After cleaning and maintenance, install all guards and protective devices and check that they are in full working order.
- 



To help ensure safe and reliable operation, use only genuine Hilti spare parts and consumables. Spare parts, consumables and accessories approved by **Hilti** for use with your product can be found at your **Hilti Store** or online at: [www.hilti.group](http://www.hilti.group)

---

**9.1 Cleaning the suction adapter**

1. Remove the battery.
2. Remove the suction adapter. → page 9
3. Clean the suction adapter.
4. Check that the catches are undamaged.
5. Fit the dust removal adapter. → page 8

**9.2 Cleaning the saw blade**

1. Clean resin deposits from used saw blades at regular intervals.
2. Place the saw blades in a bath of kerosene (paraffin oil) or commercially-available resin remover for 24 hours.

**10 Transport and storage of cordless tools and batteries**

---

**Transport****⚠ CAUTION****Accidental starting during transport !**

- ▶ Always transport your products with the batteries removed!
  - ▶ Remove the battery/batteries.
- 





- ▶ Never transport batteries loose and unprotected. During transport, batteries should be protected from excessive shock and vibration and isolated from any conductive materials or other batteries that may come in contact with the terminals and cause a short circuit. **Comply with the locally applicable regulations for transporting batteries.**
- ▶ Do not send batteries through the mail. Consult your shipper for instructions on how to ship undamaged batteries.
- ▶ Prior to each use and before and after prolonged transport, check the product and the batteries for damage.

## Storage



### WARNING

#### Accidental damage caused by defective or leaking batteries !

- ▶ Always store your products with the batteries removed!
- 
- ▶ Store the product and the batteries in a cool and dry place. Comply with the temperature limits stated in the technical data.
  - ▶ Do not store batteries on the charger. Always remove the battery from the charger when the charging operation has completed.
  - ▶ Never leave batteries in direct sunlight, on sources of heat, or behind glass.
  - ▶ Store the product and batteries where they cannot be accessed by children or unauthorized persons.
  - ▶ Prior to each use and before and after prolonged storage, check the product and the batteries for damage.

## 11 Troubleshooting

If the trouble you are experiencing is not listed in this table or you are unable to remedy the problem by yourself, please contact **Hilti Service**.

Trouble or fault	Possible cause	Action to be taken
The saw blade drops out.	The saw blade is not correctly engaged.	<ul style="list-style-type: none"> <li>▶ Repeat the insertion procedure.</li> <li>▶ Make sure that the blade holder is fully open and that the saw blade is pushed all the way in against the spring resistance.</li> </ul>
	The clamping system is clogged with foreign matter.	<ul style="list-style-type: none"> <li>▶ Clean out the blade holder.</li> </ul>
The saw blade cannot be inserted.	The clamping system is clogged with foreign matter.	<ul style="list-style-type: none"> <li>▶ Clean out the blade holder.</li> </ul>
The orbital action cannot be adjusted.	Foreign matter in the orbital-action adjusting lever groove.	<ul style="list-style-type: none"> <li>▶ Clean out the orbital-action adjusting lever groove.</li> </ul>
The orbital action doesn't work.	The orbital-action mechanism is clogged with foreign matter.	<ul style="list-style-type: none"> <li>▶ Check whether foreign matter is present in the area of the orbital-action fork and clean it out.</li> </ul>
	The orbital-action adjusting lever is in position "0".	<ul style="list-style-type: none"> <li>▶ Adjust it to the desired setting.</li> </ul>
The battery runs down more quickly than usual.	Very low ambient temperature.	<ul style="list-style-type: none"> <li>▶ Allow the battery to warm up slowly to room temperature.</li> </ul>
The battery doesn't engage with an audible click.	The retaining lugs on the battery are dirty.	<ul style="list-style-type: none"> <li>▶ Clean the retaining lugs and refit the battery.</li> </ul>
1 LED blinks. The power tool does not work.	Battery is discharged.	<ul style="list-style-type: none"> <li>▶ Change the battery and charge the empty battery.</li> </ul>
	The battery is too hot or too cold.	<ul style="list-style-type: none"> <li>▶ Allow the battery to cool down or warm up slowly to room temperature.</li> </ul>
All 4 LEDs blink. The power tool does not work.	The tool has been overloaded.	<ul style="list-style-type: none"> <li>▶ Release the on/off switch and then press it again. Then allow the power tool to run under no load for approx. 30 seconds.</li> </ul>



Trouble or fault	Possible cause	Action to be taken
The power tool or battery gets very hot.	Electrical fault.	▶ Switch the power tool off immediately, remove the battery, keep it under observation, allow it to cool down and contact <b>Hilti Service</b> .

## 12 Disposal

### WARNING

**Risk of injury due to incorrect disposal!** Health hazards due to escaping gases or liquids.

- ▶ DO NOT send batteries through the mail!
- ▶ Cover the terminals with a non-conductive material (such as electrical tape) to prevent short circuiting.
- ▶ Dispose of your battery out of the reach of children.
- ▶ Dispose of the battery at your **Hilti Store**, or consult your local governmental garbage disposal or public health and safety resources for disposal instructions.

Most of the materials from which **Hilti** products are manufactured can be recycled. The materials must be correctly separated before they can be recycled. In many countries, your old tools, machines or appliances can be returned to **Hilti** for recycling. Ask **Hilti Service** or your **Hilti** sales representative for further information.



- ▶ Do not dispose of power tools, electronic equipment or batteries as household waste!

## 13 RoHS (Restriction of Hazardous Substances)

Click on the links to go to the table of hazardous substances: [qr.hilti.com/r5212958](http://qr.hilti.com/r5212958)

There is a link to the RoHS table, in the form of a QR code, at the end of this document.

## 14 Manufacturer's warranty

- ▶ Please contact your local **Hilti** representative if you have questions about the warranty conditions.

# Originaalkasutusjuhend

## 1 Andmed kasutusjuhendi kohta

### 1.1 Käesoleva käsitsemisjuhendi kohta

- Enne seadme kasutuselevõttu lugege läbi kasutusjuhend. See on ohutu kasutamise ja tõrgeteta töö eeldus.
- Järgige käesolevas kasutusjuhendis ja seadmel esitatud ohutusnõudeid ja hoiatusi.
- Hoidke kasutusjuhend alati toote juures ja andke toode teistele isikutele edasi ainult koos käesoleva kasutusjuhendiga.

### 1.2 Märkide selgitus

#### 1.2.1 Hoiatused

Hoiatused annavad märku toote kasutamisel tekkivatest ohtudest. Kasutatakse alljärgnevaid märksõnu:

### OHT

**OHT!**

- ▶ Võimalikud ohtlikud olukorrad, mis võivad põhjustada kasutaja raskeid kehavigastusi või hukkamist.



## HOIATUS

### HOIATUS !

- ▶ Võimalik ohtlik olukord, mis võib põhjustada kasutaja raskeid kehavigastusi või hukkumist.

## ETTEVAATUST

### ETTEVAATUST !

- ▶ Võimalikud ohtlikud olukorrad, mis võivad põhjustada kehavigastusi või varalist kahju.

### 1.2.2 Kasutusjuhendis kasutatud sümbolid

Selles dokumendis kasutatakse järgmisi sümboleid.

	Lugege enne kasutamist läbi kasutusjuhend!
	Soovitused seadme kasutamiseks ja muu kasulik teave
	Taaskasutatavate materjalide käsitlemine
	Elektriseadmeid ja akusid ei tohi visata olmejäätmete hulka.

### 1.2.3 Joonistel kasutatud sümbolid

Joonistel kasutatakse järgmisi sümboleid.

	Numbrid viitavad vastavatele joonistele kasutusjuhendi alguses
	Numeratsioon kajastab töötappide järjekorda pildi kujul ja võib tekstis kirjeldatud töötappidest erineda
	Positsiooninumbreid <b>kasutatakse ülevaatejoonisel</b> ja need viitavad selgituste numbritele <b>toote ülevaates</b>
	See märk näitab, et toote käsitlemisel tuleb olla eriti tähelepanelik.

## 1.3 Tootepõhised sümbolid

### 1.3.1 Sümbolid tootel

Tootel võidakse kasutada järgmisi sümboleid:

	Tühikäigusagedus
	Alalisvool
	Seade toetab andmete traadita ülekandmist, mis on ühildatav iOS- ja Android-platvormidega.
	Li-ioonaku
	Kasutatud <b>Hilti</b> Li-Ion-aku seeria. Pidage kinni peatükis <b>Nõuetekohane kasutamine</b> esitatud juhistest.
	Ärge kasutage akut kunagi löögiriistana.
	Ärge laske akul kunagi maha kukkuda. Ärge kasutage akut, mis on saanud löögi või on muul moel kahjustatud.

### 1.4 Tooteinfo

**HILTI** tooted on ette nähtud professionaalsele kasutajale ja neid tohivad käsitseda, hooldada ja korras hoida ainult volitatud ja asjaomase väljaõppega isikud. Nimetatud personal peab olema teadlik kõikidest võimalikest ohtudest. Seade ja sellega ühendatavad abitööriistad võivad osutada ohtlikuks, kui neid ei kasutata nõuetekohaselt või kui nendega töötab asjaomase väljaõppeta isik.



Tüübitähis ja seerianumber on tüübisildil.

- ▶ Kandke seerianumber järgmise tabelisse. Tehke need andmed teatavaks alati, kui pöörduate päringutega meie esindusse või hooldekeskusse.

#### Tooteinfo

Pendeltikksaag	SJT 6-A22
Pölvkond	01
Seerianumber	

## 1.5 Vastavusdeklaratsioon

Kinnitame ainuvastutajana, et käesolevas kasutusjuhendis kirjeldatud seade vastab kehtivate direktiivide ja standardite nõuetele: Vastavusdeklaratsiooni koopia leiате käesoleva kasutusjuhendi lõpust.

Tehnilised dokumendid on saadaval:

Hilti Entwicklungsgesellschaft mbH | Zulassung Geräte | Hiltistraße 6 | 86916 Kaufering, DE

## 2 Ohutus

### 2.1 Üldised ohutusnõuded elektriliste tööriistade kasutamisel

**⚠ HOIATUS! Lugege kõiki selle elektrilise tööriista juurde kuuluvaid ohutusjuhiseid, nõuandeid, jooniseid ja tehnilisi andmeid!** Järgmiste juhiste eiramise tagajärg võib olla elektrilöökk, tulekahju ja/või rasked vigastused.

**Hoidke kõik ohutusnõuded ja juhised edaspidiseks kasutamiseks alles.**

Ohutusjuhistes kasutatud mõiste "elektriline tööriist" käib võrgutoitega (toitejuhtmega) elektriliste tööriistade või akutoitega (toitejuhtmeta) elektriliste tööriistade kohta.

#### Ohutus töökohal

- ▶ **Hoidke oma töökoht puhas ja valgustage seda korralikult.** Korrastamata ja valgustamata töökoht võib põhjustada õnnetusi.
- ▶ **Ärge kasutage elektrilist tööriista plahvatusohtlikus keskkonnas, kus leidub tuleohtlikke vedelikke, gaase või tolmu.** Elektrilistest tööriistadest lööb sädemeid, mis võivad tolmu või auru süüdata.
- ▶ **Hoidke lapsed ja kõik teised töökohast eemal, kui kasutate elektrilist tööriista!** Kui teie tähelepanu juhitakse kõrvale, võib seade teie kontrolli alt väljuda.

#### Elektriohutus

- ▶ **Elektrilise tööriista pistik peab sobima pistikupesasse. Pistiku juures ei tohi teha mingeid muudatusi. Kaitsemaandusega seadmete puhul ei tohi kasutada adapterpistikuid.** Muutmata pistikud ja sobivad pistikupesad vähendavad elektrilöögiohtu.
- ▶ **Vältige keha kontakti maandatud pindadega (nt toru, radiaator, pliit, külmik).** Kui teie keha on maandatud, on elektrilöögi oht suurem.
- ▶ **Kaitske elektrilist tööriista vihma ja niiskuse eest.** Kui elektrilise tööriista sisemusse satub vett, suurendab see elektrilöögiohtu.
- ▶ **Ärge kasutage ühenduskaablit elektrilise tööriista kandmiseks, riputamiseks ega pistiku stepslist väljatõmbamiseks!** Hoidke ühenduskaablit eemal kuumusest, õlidest, teravatest servadest ja liikuvatest osadest. Kahjustatud või keerdus ühenduskaablid suurendavad elektrilöögiohtu.
- ▶ **Kui töötate elektrilise tööriistaga vabas õhus, kasutage ainult selliseid pikendusjuhtmeid, mida tohib kasutada ka välitingimustes.** Välitingimustes sobiva pikendusjuhtme kasutamine vähendab elektrilöögiohtu.
- ▶ **Kui seadmega töötamine niiskes keskkonnas on vältimatu, kasutage rikkevoolu kaitselüliti.** Rikkevoolu kaitselüliti kasutamine vähendab elektrilöögiohtu.

#### Inimeste ohutus

- ▶ **Olge tähelepanelik, jälgige, mida teete, ja toimige elektrilise tööriistaga töötades kaalutletult. Ärge töötag elektrilise tööriistaga, kui olete väsinud või alkoholi, narkootikumide või ravimite mõju all!** Hetkeline tähelepanematus elektrilise tööriista kasutamisel võib põhjustada raskeid kehavigastusi ja varalist kahju.
- ▶ **Kandke isiklikke kaitsevahendeid ja alati kaitseprille.** Isiklike kaitsevahendite, nt tolmu maski, libisemiskindlate turvajalatsite, kaitsekiivri või kuulmiskaitsevahendite kandmine (sõltuvalt elektrilise tööriista tüübist ja kasutusala) vähendab vigastusohtu.
- ▶ **Vältige elektrilise tööriista soovimatut käivitamist! Enne elektrilise tööriista ühendamist volulõrvku ja/või elektrilise tööriista aku paigaldamist, tööriista ülestõstmist ja kandmist veenduge, et**



**elektriline tööriist on välja lülitatud!** Kui hoiate elektrilise tööriista kandmisel sõrme lülilil või ühendate vooluvõrku sisselülitatud tööriista, võib juhtuda õnnetus.

- ▶ **Enne elektrilise tööriista sisselülitamist eemaldage selle küljest seade- ja nutrivõtmed.** Elektrilise tööriista pöörleva osa küljes olev seade- või nutrivõti võib põhjustada vigastusi.
- ▶ **Vältige ebatavalist töösasendit! Võtke stabiilne töösasend ja säilitage alati tasakaal.** Nii saate elektrilist tööriista ootamatutes olukordades paremini kontrollida.
- ▶ **Kandke sobivat rõivastust. Ärge kandke laiu riideid ega ehteid! Hoidke juuksed, rõivad ja kindad seadme liikuvatest osadest eemal.** Lotendavad riided, ehted ja pikad juuksed võivad sattuda seadme liikuvate osade vahele.
- ▶ **Kui elektrilise tööriista külge on võimalik paigaldada tolmuemaldus- ja kogumiseadiseid, veenduge, et need on tööriistaga ühendatud ja et neid kasutatakse nõuetekohaselt.** Tolmuemaldus-seadise kasutamine võib vähendada tolmust tingitud ohte.
- ▶ **Ärge laske tekkida petlikul turvatundel ega eirake elektrilise tööriista ohutusreegleid isegi siis, kui olete pärast paljukordset kasutamist elektrilise tööriistaga harjunud.** Tähelepanematu käsitsemine võib sekundi mürdosa jooksul kaasa tuua raskeid vigastusi.

#### Elektrilise tööriista kasutamine ja käsitsemine

- ▶ **Ärge koormake seadet üle! Kasutage konkreetseks tööks sobivat elektrilist tööriista.** See töötab ettenähtud jõudluspiirides tõhusamalt ja ohutumalt.
- ▶ **Ärge kasutage elektrilist tööriista, mille lüliti on rikkis!** Elektriline tööriist, mida ei saa enam lülitist korralikult sisse ja välja lülitada, on ohtlik ning tuleb viia parandusse.
- ▶ **Tõmmake enne seadme mis tahes seadetöid, tarvikute vahetamist ja seadme hoieulepanekut pistik pistikupesast välja ja/või eemaldage äravõetav aku.** See ettevaatusabinõu hoiab ära seadme soovimatu käivitumise.
- ▶ **Kasutusvälisel ajal hoidke elektrilist tööriista lastele kättesaamatus kohas. Ärge laske seadet kasutada isikutel, kes seadme tööpõhimõtet ei tunne või ei ole lugenud käesolevaid kasutusjuhendeid.** Asjatundmatute isikute käes on elektrilised tööriistad ohtlikud.
- ▶ **Hooldage elektrilisi tööriistu ja tarvikuid korralikult. Kontrollige, kas liikuvad osad töötavad veatult ega kiilu kiini. Veenduge, et seadme osad ei ole murdunud või kahjustatud määral, mis mõjutab seadme töökindlust. Laske kahjustatud osad enne seadme kasutamist parandada.** Ebapiisavalt hooldatud elektrilised tööriistad põhjustavad õnnetusi.
- ▶ **Hoidke löiketarvikud teravad ja puhtad.** Hästi hooldatud, teravate löikeservadega löiketarvikud kiiluvad harvemini kinni ja neid on lihtsam juhtida.
- ▶ **Kasutage elektrilist tööriista, tarvikuid ja lisatarvikuid vastavalt nende juhiste. Arvestage seejuures töötingimuste ja tehtava töö iseloomuga.** Elektrilise tööriista kasutamine otstarbel, milleks see ei ole ette nähtud, võib põhjustada ohtlikke olukordi.
- ▶ **Käepidemed ja haardepinnad peavad olema kuivad, puhtad ning vabad õlist ja rasvast.** Libedad käepidemed ja haardepinnad ei võimalda elektrilist tööriista ootamatutes olukordades kindlalt käsitseada ega kontrollida.

#### Akuga tööriista kasutamine ja käsitsemine

- ▶ **Laadige akusid ainult tootja soovitatud laadimiseadmega.** Kui teatud tüüpi aku laadimiseks ettenähtud laadimiseadet kasutatakse teist tüüpi akude laadimiseks, tekib tulekahjuoht.
- ▶ **Kasutage elektrilistes tööriistades ainult ettenähtud akusid.** Teist tüüpi akude kasutamine võib põhjustada vigastus- ja põlenguohtu.
- ▶ **Hoidke akud kasutusvälisel ajal eemal kirjaklambritest, müntidest, võtmetest, naeltest, kruvidest ja teistest väikestest metallesemetest, mis võivad aku kontaktid omavahel ühendada.** Aku kontaktide vahel tekkiv lühis võib põhjustada põletuse või tulekahju.
- ▶ **Väärkasutuse korral võib akavedelik akust välja voolata. Vältige sellega kokkupuudet. Juhusliku kokkupuute korral loputage kahjustatud kohta veega. Kui vedelik satub silma, otsige ka arstiabi.** Väljavoolav akavedelik võib põhjustada nahaärritust või põletust.
- ▶ **Ärge kasutage kahjustatud ega modifitseeritud akut!** Kahjustatud või modifitseeritud akud võivad käituda ettenägematult ja põhjustada tulekahju, plahvatusi või vigastusohtu.
- ▶ **Ärge laske akul kokku puutuda tule ega liiga kõrge temperatuuriga!** Tuli või temperatuur üle 130 °C (265 °F) võivad tekitada plahvatusi.
- ▶ **Järgige kõiki laadimisjuhiseid ja ärge kunagi laadige akut ega akutööriista väljaspool kasutusjuhendis näidatud temperatuurivahemikku.** Väär laadimine või laadimine väljaspool lubatud temperatuurivahemikku võib kahjustada akut ja suurendada tuleohtu.

#### Hooldus

- ▶ **Laske elektrilist tööriista parandada ainult kvalifitseeritud spetsialistidel, kes kasutavad originaalvaruosi.** Nii on tagatud elektrilise tööriista ohutu töö.



- ▶ **Ärge hooldage kahjustatud akut!** Akut võib hooldada ainult tootja või volitatud klienditeenindus.

## 2.2 Ohutusnõuded pendelliikumisega saekettaga saagimisel

- ▶ **Kui teete töid, mille puhul võib tarvik tabada varjatud elektrijuhtmeid, hoidke seadet isoleeritud haardepinnast.** Kokkupuude pingestatud elektrijuhtmega võib seada pinge alla ka seadme metalldetailid ja põhjustada elektrilöögi.
- ▶ **Kinnitage tarvik pitskruviga või muul viisil stabiilse aluspinnale külge.** Kui hoiate toorikut ainult käega või surute selle vastu oma keha, ei ole see kindlalt fikseeritud, mille tagajärjel võite kaotada seadme üle kontrolli.

## 2.3 Täiendavad ohutusnõuded

### Inimeste turvalisus

- ▶ Kasutage seadet ainult siis, kui selle tehniline seisukord on veatu.
- ▶ Ärge kunagi muutke ega modifitseerige seadet.
- ▶ Hoidke käepidemed kuivad ja puhtad.
- ▶ Seadmega töötamisel kasutage sobivaid kaitseprille, kuulmiskaitsevahendeid ja kaitsekindaid.
- ▶ Tarviku vahetamisel kandke kaitsekindaid. Tarviku puudutamine võib tekitada löikehaavu ja põletusi.
- ▶ Kasutage kaitseprille. Materjalist väljalendavad killud võivad tekitada keha- ja silmavigastusi.
- ▶ Ärge vaadake otse valgusallikasse (LED) ja ärge suunake valgust teiste inimeste näkku. Esineb pimestamise oht.
- ▶ Enne töö algust tehke kindlaks töötamisel tekkiva tolmu ohuklass. Kasutage ametliku kaitseklassiga ehitustolmuimejat, mis vastab kohalikele tolmukaitsenõuetele.
- ▶ Tagage töökohal hea ventilatsioon ja vajaduse korral kandke tekkiva tolmu filtreerimiseks sobivat hingamisteede kaitsemaski. Kokkupuude tolmuga või tolmu sissehingamine võib põhjustada kasutajal või läheduses viibival isikul allergilist reaktsiooni ja/või hingamisteede haigusi. Teatav tolm, nt tamme- või pöögitolm on kantserogeenne, seda eeskätt koosmõjus puidu töötlemise lisaainetega (kromaat, puidukaitsvahendid). Asbesti sisaldavate materjalide töötlemine on lubatud vaid asjaomase kvalifikatsiooniga isikutel.
- ▶ Tehke töopause ja liigutage sõrmi, et parandada nende verevarustust. Pikemaajaliste tööde korral võib vibratsioon tekitada probleeme sõrmede, käte ja randmeliigeste veresoontes ja närvisüsteemis.

### Elektriõhusus

- ▶ Enne töö algust kontrollige tööpiirkond üle ja veenduge, et seal ei ole varjatud elektrijuhtmeid, gaasi- ega veetorusid. Seadme välised metallosad võivad elektrijuhtme vigastamise korral tekitada elektrilöögi.

### Elektriliste tööriistade hoolikas käsitsemine ja kasutamine

- ▶ Kinnitage töödeldav detail korralikult. Kinnitusseadmete või kruustangide vahele kinnitatud toorik püsib kindlamalt paigal kui käega hoides.

### Ohutuse erinõuded tikksaagidega töötamisel

- ▶ Saagimisel juhtige seadet alati enda kehast eemale.
- ▶ Ärge kunagi hoidke käsi saelehe ees või vastas.
- ▶ Ärge saagige tundmatut pinda ja hoidke löikejoon nii ülalt kui alt vaba takistustest.
- ▶ Ärge viige oma käsi saagimise ajal tooriku alla.

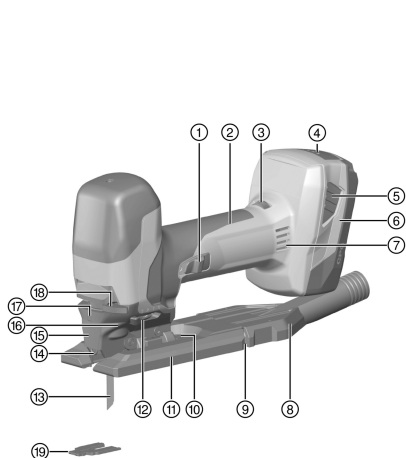
## 2.4 Akude hoolikas käsitsemine ja kasutamine

- ▶ Järgige liitiumioonakude veo, ladustamise ja käsitlemise suhtes kehtivaid erinõudeid.
- ▶ Kaitske akusid kõrgete temperatuuride, otsese päikese kiirguse ja tule eest.
- ▶ Akusid ei tohi lahti võtta, kokku muljuda, kuumutada üle 80°C (176°F) ega põletada.
- ▶ Ärge kasutage ega laadige akusid, mis on saanud löögi, kukkunud kõrgemalt kui üks meeter või muul viisil vigastada saanud. Võtke sellisel juhul alati ühendust **Hilti hooldekeskusega**.
- ▶ Kui aku on nii kuum, et seda ei saa puudutada, võib aku olla defektne. Asetage aku nähtavasse tulekindlasse kohta, mis on süttivatest materjalidest piisavalt kaugel. Laske akul jahtuda. Kui aku on ühe tunni pärast ikka veel liiga kuum, et seda puudutada saaks, siis on aku defektne. Võtke ühendust **Hilti hooldekeskusega**.



## 3 Kirjeldus

### 3.1 Toote ülevaade 1



- ① Toitelüliti
- ② Käepide
- ③ Käigusageduse regulaator
- ④ Aku laetuse astme näit
- ⑤ Aku vabastusnupp
- ⑥ Aku
- ⑦ Ventilatsioonivavad
- ⑧ Tolmueemaldusadapter
- ⑨ Fiksaatorkonks
- ⑩ Lõikenurga seadistamise skaala
- ⑪ Alustald
- ⑫ Pendelliikumise reguleerimise hoob
- ⑬ Saeleht
- ⑭ Puutekaitse
- ⑮ Kaitsekate
- ⑯ Tarvikukinnitus
- ⑰ LED-tuli
- ⑱ Saelehe vabastamise hoob
- ⑲ Materjali rebenemisvastane kaitse

### 3.2 Nõuetekohane kasutamine

Kirjeldatud toode on käsitsi juhitud akutoitega pendeltiiksaag. See on ette nähtud plast-, puit- ja metallmaterjalide ning kips- ja kiudplaatide saagimiseks.

Toode on varustatud eemaldatava tolmuimejalitmikuga, mis lubab kasutada standardse vooliküläbimõõduga tolmuimejaid. Imivooliku ühendamiseks tootega võib osutada vajalikuks sobiv adapter.

- ▶ Kasutage selle toote jaoks ainult B 22 tüüpi **Hilti** liitiumioonakusid.
- ▶ Nende akude laadimiseks kasutage ainult **Hilti** seeria C4/36 laadimisseadmeid.
- ▶ Kasutage selle toote jaoks ainult T-sabaga (ühenukilise sabaga) saelehti.

### 3.3 Võimalik väärkasutus

- Toodet ei tohi kasutada okste ja puutüvede mahasaagimiseks.
- Toodet ei tohi kasutada terviseohtlike materjalide töötlemiseks.
- Toodet ei tohi kasutada niiskes keskkonnas tehtavateks töödeks.

### 3.4 Laetuse astme näit

Li-Ion-aku laetuse astet kuvatakse pärast kergert vajutamist (kuni tuntava takistuseni) vabastusnupule.

Seisund	Tähendus
4 LED-tuld põlevad.	Laetuse aste: 75 % kuni 100 %
3 LED-tuld põlevad.	Laetuse aste: 50 % kuni 75 %
2 LED-tuld põlevad.	Laetuse aste: 25 % kuni 50 %
1 LED-tuli põleb.	Laetuse aste: 10 % kuni 25 %
1 LED vilgub.	Laetuse aste: < 10 %



**i** Aku laetuse astet ei saa näha ajal, mil juhtlüliti on alla vajutatud, samuti kuni 5 sekundi vältel pärast juhtlüliti vabastamist. Kui aku laetuse astme näidiku LED-tuled vilguvad, tegutsege vastavalt punktis „Abi tõrgete puhul” toodud juhiste.

### 3.5 Saepurupuhur

Saepurupuhur suunab saekehle õhuvoo, et hoida lõikejoont puhtana.

### 3.6 Käigusagedus

Käigusagedust saab reguleerida regulaatorist. Asend 1 vastab kiirusele 800 käiku minutis ning asend 6 vastab kiirusele 3000 käiku minutis.

### 3.7 4-astmeline pendelliikumine

Tänu 4-astmelisele pendelliikumisele saab saagimisvõimsust ja tulemust kohandada vastavalt töödeldavale materjalile. Pendelliikumise reguleerimise hoovaga saab valida 4 astme vahel.

Mida puhtamat ja peenemat lõikeserva soovitakse, seda väiksem pendelliikumise aste tuleb valida. Optimaalne pendelliikumine selgub praktilise katse käigus.

Seisund	Tähendus
Samm 0	Pendelliikumine puudub
Samm 1	Väike pendelliikumine
Samm 2	Keskmine pendelliikumine
Samm 3	Suur pendelliikumine

### 3.8 Materjali rebenemistvastane kaitse

Toodet saab varustada materjali rebenemistvastase kaitsega.

Materjali rebenemistvastane kaitse väldib puitmaterjalide saagimisel pealispinna rebenemist.

### 3.9 Seadme automaatne väljalülitamine

Niipea kui toitelüliti on pidevalt kauem kui 15 minutit alla vajutatud (nt transportimisel või hoiepaneelil), lülitub seade automaatselt välja. See hoiab ära aku süvatühjenemise.

### 3.10 Tarnekomplekt

Pendeltikkaaag ning saeleht, kaitsekate, tolmueemaldusadapter, materjali rebenemistvastase kaitse, kasutusjuhend, sisekuuskantvõti.

Teised süsteemi kuuluvad tooted, mida on lubatud tööriistaga kasutada, leiab **Hilti** müügikeskusest või veebilehelt [www.hilti.com](http://www.hilti.com)

## 4 Tehnilised andmed

### 4.1 Pendeltikkaaag

	SJT 6-A22
Nimipinge	21,6 V
Kaal EPTA Procedure 01 järgi koos akuga B228.0	3,2 kg
Käigu pikkus	28 mm
Tühikäigusagedus (n <sub>0</sub> )	800 p/min ... 3 000 p/min
Maksimaalne lõikejõudlus puidus	150 mm
Maksimaalne lõikejõudlus alumiiniumis	25 mm
Maksimaalne lõikejõudlus legeerimata terases	10 mm
Lõikenurk (vasakule/paremale)	0° ... 45°
tolmueemaldusadapteri välisläbimõõt	27,5 mm





	SJT 6-A22
Hoiutemperatuur	-20 °C ... 70 °C
Ümbritseva keskkonna temperatuur töötamise ajal	-17 °C ... 60 °C
Aku temperatuur laadimise alguses	-10 °C ... 45 °C
Hoiutemperatuur	-20 °C ... 40 °C
Ümbritseva keskkonna temperatuur töötamise ajal	-17 °C ... 60 °C

#### 4.2 Andmed müra ja vibratsiooni kohta vastavalt standardile EN 62841

Käesolevas juhendis märgitud helirõhu- ja vibratsioonitase on mõõdetud standarditud mõõtemetodil ja seda saab kasutada elektriliste tööriistade omavaheliseks võrdlemiseks. See sobib ka vibratsiooni- ja müratase eesmärgseks hindamiseks.

Toodud näitajad iseloomustavad elektrilise tööriista põhilisi ettenähtud töid. Kui aga elektrilist tööriista kasutatakse muul otstarbel, teiste tarkikutega või kui tööriista on ebapiisavalt hooldatud, võivad näitajad käesolevas juhendis toodud näitajatest kõrvale kalduda. See võib vibratsiooni- ja mürataset töötamise koguperioodil tunduvalt suurendada.

Ekspositsiooni täpseks hindamiseks tuleb arvesse võtta ka aega, mil seade oli välja lülitatud või küll sisse lülitatud, kuid tegelikult tööle rakendamata. See võib vibratsiooni- ja mürataset töö koguperioodi lõikes tunduvalt vähendada.

Kasutaja kaitseks müra ja/või vibratsiooni eest võtke tarvitusele täiendavaid kaitsemeetmeid, näiteks: hooldage elektrilist tööriista ja tarkukuid korralikult, hoidke käed soojad, tagage sujuv töökorraldus.

#### Müratase

	SJT 6-A22
Helivõimsustase ( $L_{WA}$ )	100 dB(A)
Helivõimsustase mõõtemääramatus ( $K_{WA}$ )	5 dB(A)
Helirõhutase ( $L_{pA}$ )	89 dB(A)
Helirõhutase mõõtemääramatus ( $K_{pA}$ )	5 dB(A)

#### Vibratsioonitase

	SJT 6-A22
Vibratsioonitase puitplaatide saagimisel ( $a_{h,B}$ )	5,0 m/s <sup>2</sup>
Mõõtemääramatus laastplaatide saagimisel (K)	1,5 m/s <sup>2</sup>
Vibratsioonitase lehtmetsa saagimisel ( $a_{h,M}$ )	7,9 m/s <sup>2</sup>
Mõõtemääramatus lehtmetsa saagimisel (K)	1,5 m/s <sup>2</sup>

## 5 Aku

Aku tööpinge	21,6 V
Ümbritseva keskkonna temperatuur töötamise ajal	-17 °C ... 60 °C
Hoiutemperatuur	-20 °C ... 40 °C
Aku temperatuur laadimise alguses	-10 °C ... 45 °C

## 6 Töö ettevalmistamine

### HOIATUS

#### Vigastuste oht soovimatu käivitumise tõttu!

- ▶ Enne aku paigaldamist veenduge, et selle juurde kuuluv seade on välja lülitatud.
- ▶ Enne seadme seadistamist ja tarkukute vahetamist eemaldage seadmest aku.

Järgige kasutusjuhendis esitatud ja tootele märgitud ohutusnõudeid ja hoiatusi.

#### 6.1 Aku laadimine

1. Enne laadimist lugege laadimiseadme kasutusjuhendit.
2. Veenduge, et aku ja laadimiseadme kontaktid on puhtad ja kuivad.



3. Laadige akut selleks ettenähtud laadimiseseadmega. → Lehekülg 17

## 6.2 Aku paigaldamine

### HOIATUS

#### **Vigastuste oht lühise või allakukkunud aku tõttu!**

- ▶ Enne aku paigaldamist veenduge, et aku ja seadme kontaktidel ei ole võõrkehaseid.
- ▶ Veenduge, et aku fikseerub alati korrektselt kohale.

1. Enne esmakordset kasutamist laadige aku täiesti täis.
2. Lükake aku seadmesse, kuni see kuuldavalt kohale fikseerub.
3. Kontrollige aku kindlat kinnitumist.

## 6.3 Aku eemaldamine

1. Vajutage aku vabastusnuppudele.
2. Tõmmake aku seadmest välja.

## 6.4 Saelehe paigaldamine 2

1. Eemaldage aku.
2. Suruge saeleht (hambad lõikesuunas) kinnitusse, kuni saeleht fikseerub kohale.
3. Tõmmake saelehest, kontrollimaks, kas see on kindlalt kinni.

## 6.5 Kaitsekatte pealepanek 3

1. Eemaldage aku.
2. Lükake kaitsekate eest toote peale, kuni see fikseerub kohale.



Kaitsekate saab peale panna ainult siis, kui alustald on normaalasendis (null-kraadi-asendis).

## 6.6 Tolmueemaldusadapteri paigaldamine 4

1. Lükake tolmueemaldusadapter tagant horisontaalsuunas alustalda, nii et mõlemad fiksaatorkonksud fikseeruvad külgedelt kohale.
2. Ühendage tolmuimemiseseadise voolik tolmueemaldusadapteriga.

## 7 Käsitsemine

Järgige kasutusjuhendis esitatud ja tootele märgitud ohutusnõudeid ja hoiatusi.

### 7.1 Tolmuimemiseseadise kasutamine



Tolmuimemiseseadis vähendab tolmu teket, suurendab tööohutust tänu paremini nähtavale lõikejoonele ning hoiab ära tolmu ja saepuru kogunemise töötamise kohas.

1. Pange kaitsekate peale. → Lehekülg 20
2. Kasutage alati tolmuimemiseseadist, kui töötlete seadmega pikema aja vältel puitu või materjale, mille puhul võib tekkida rohkelt tolmu.

### 7.2 Sisselülitamine 5

1. Paigaldage aku.



Turvafunktsioon hoiab ära seadme käivitumise, kui seade lülitatakse esmalt sisse ja seejärel asetatakse aku seadme hoidikusse.  
Esmalt lükake toitelüliti uuesti taha ja seejärel uuesti ette.

2. Seadme sisselülitamiseks lükake toitelüliti ette.



### 7.3 Uputuslõiked

1. Viige pendelliikumise reguleerimise hoob asendisse 0.
2. Asetage seade alustalla eesmise servaga toorikule.
3. Hoidke seadet kinni ja vajutage toitelülitiile.
4. Suruge seadet tugevasti vastu toorikut ja uputage seade toorikusse, vähendades nurka.
5. Kui olete tooriku läbi torganud, viige seade normaalsesse tööasendisse.
  - ▶ Alustald on täies ulatuses tooriku peal.
6. Saagige piki lõikejoont edasi.

### 7.4 Väljalülitamine

- ▶ Seadme väljalülitamiseks lükake toitelüliti taha.

## 8 Mahavõtmine

### 8.1 tolmueemaldusadapteri mahavõtmine 5

1. Suruge mõlemad fiksaatorkonksud sisse.
2. Tõmmake tolmueemaldusadapter alustallalt suunaga taha maha.
3. Tõmmake tolmuimeja voolik tolmueemaldussüsteemi adapteri küljest ära.

### 8.2 Kaitsekatte eemaldamine 7

1. Eemaldage aku.
2. Asetage kaitsekate veidi kaldu ja tõmmake see ettepoole küljest ära.

### 8.3 Saelehe väljaviskamine 8

#### HOIATUS

**Vigastuste oht!** Saelehe kontrollimatu väljaviskumine võib tekitada vigastusi.

- ▶ Hoidke seadet saelehe väljaviskamise ajal nii, et väljaviskuv saeleht ei saa vigastada inimesi ega loomi.

1. Eemaldage aku.
2. Keerake saelehe vabastamise hooba piirikuni külgsuunas.
  - ▶ Saeleht vabastatakse ja visatakse välja.

## 9 Hooldus ja korrashoid

#### HOIATUS

**Vigastuste oht paigaldatud aku korral !**

- ▶ Enne mis tahes hooldus- ja korrashoiutöid eemaldage seadmest aku!

#### Toote hooldus

- Kõvasti kinni olev mustus eemaldage ettevaatlikult.
- Ventilatsiooniavad puhastage ettevaatlikult kuiva, pehme harjaga.
- Puhastage korpust ainult veidi niiske lapiga. Ärge kasutage silikooni sisaldavaid hooldusvahendeid, sest need võivad kahjustada seadme plastdetaile.
- Seadme kontaktide puhastamiseks kasutage puhast kuiva lappi.

#### Liitium-ioonakude hooldus

- Ärge kunagi kasutage akut, mille ventilatsiooniavad on ummistunud. Puhastage ventilatsiooniavasid ettevaatlikult kuiva, pehme harjaga.
- Kaitske akut tolmu ja mustuse eest. Ärge jätke akut kunagi suure niiskuse kätte (ärge asetage seda vette ja ärge jätke vihma kätte).  
Kui aku on märjaks saanud, siis käsitlege seda nii, nagu oleks see kahjustatud. Isoleerige aku tulekindlas anumas ja pöörduge **Hilti** hooldekeskusesse.



- Hoidke aku puhas õlist ja rasvast. Vältige akusse asjatult tolmuga ja mustuse kogunemist. Puhastage akut kuiva pehme harjaga või puhta kuiva lapiga. Ärge kasutage silikooni sisaldavaid hooldusvahendeid, sest need võivad kahjustada seadme plastdetaili.  
Ärge puudutage aku kontakte ja ärge eemaldage kontaktidelt tehases peale kantud määret.
- Puhastage korpust ainult veidi niiske lapiga. Ärge kasutage silikooni sisaldavaid hooldusvahendeid, sest need võivad kahjustada seadme plastdetaili.

### Korrashoid

- Kontrollige regulaarselt, kas kõik nähtavad osad on terved ja juhtelemendid töötavad veatult.
- Ärge kasutage seadet kahjustuste ja/või tõrgete korral. Laske seade kohe parandada **Hilti** hooldekeskuses.
- Pärast hooldus- ja korrashoiutöid paigaldage kõik kaitseseadised ja kontrollige, kas need töötavad veatult.



Ohutu töö tagamiseks kasutage ainult originaalvaruosi ja -materjale. **Hilti** heakskiidetud varuosad, materjalid ja lisatarvikud oma tootele leiata müügiesindusest **Hilti Store** või veebilehelt: [www.hilti.group](http://www.hilti.group)

## 9.1 Tolmueemaldusadapteri puhastamine

1. Eemaldage aku.
2. Võtke tolmueemaldusadapter maha. → Lehekülj 21
3. Puhastage tolmueemaldusadapter.
4. Kontrollige, kas fiksaatorkonksud on terved.
5. Paigaldage tolmueemaldusadapter. → Lehekülj 20

## 9.2 Saelehtede puhastamine

1. Puhastage kasutatud saelehti regulaarselt vaigust.
2. Asetage saelehed 24 tunniks petrooleumi või muudesse vaigu eemaldamise vahenditesse.

## 10 Akutööriistade ja akude transport ja ladustamine

### Transport



#### ETTEVAATUST

#### Soovimatu käivitumine transportimisel !

- ▶ Transportige tooteid ilma akudeta!
- ▶ Eemaldage aku/akud.
- ▶ Ärge kunagi transportige akusid lahtiselt. Enne aku transportimist tuleb aku pakendada nii, et see oleks kaitstud löökide ja vibratsiooni eest ning isoleeritud kõikidest elektri juhtivatest materjalidest või teistest akudest, et vältida kokkupuudet teise aku poolustega ning lühise teket. **Järgige akude transpordi suhtes kehtivaid riigisiseseid nõudeid.**
- ▶ Akusid ei tohi saata posti teel. Kahjustamata akude saatmiseks pöörduge logistikaettevõtja poole.
- ▶ Iga kord enne kasutamist ning enne ja pärast pikemat transporti või hoiustamist kontrollige seadet ja akusid vigastuste suhtes.

### Hoiustamine



#### HOIATUS

#### Defektsed akud või lekkivad akud võivad tekitada vigastusi !

- ▶ Kasutusvälisel ajal eemaldage seadmest aku!
- ▶ Hoidke seadet ja akusid jahedas ja kuivas kohas. Pidage kinni tehnilistes andmetes toodud temperatuuripiirangutest.
- ▶ Ärge hoidke akusid laadimisseadmes. Pärast laadimist eemaldage aku laadimisseadmest.
- ▶ Ärge hoidke akusid päikese käes, radiaatori peal või klaasi taga.
- ▶ Hoidke seadet ja akusid lastele ja kõrvalistele isikutele ligipääsmatus kohas.
- ▶ Iga kord enne kasutamist ning enne ja pärast pikemaajalist seismist kontrollige seadet ja akusid kahjustuste suhtes.



## 11 Abi tõrgete puhul

Kui peaks esinema tõrge, mida ei ole järgmises tabelis nimetatud või mida Te ei suuda ise kõrvaldada, pöörduge **Hilti** hooldekeskusse.

Tõrge	Võimalik põhjus	Lahendus
Saeleht kukub välja.	Saeleht ei ole korrektselt lukustatud.	<ul style="list-style-type: none"> <li>▶ Korrake kinnitamis toimingut.</li> <li>▶ Veenduge, et tarviku kinnitus on täielikult avatud ja et surute saelehte sisse takistust ületades.</li> </ul>
	Kinnitussüsteem on määrduanud.	▶ Puhastage tarviku kinnitus.
Saelehte ei saa sisse panna.	Kinnitussüsteem on määrduanud.	▶ Puhastage tarviku kinnitus.
Pendelliikumist ei saa reguleerida.	Pendelliikumise hoova soon on määrduanud.	▶ Puhastage pendelliikumise hoova soon mustusest.
Pendelliikumine ei toimi.	Pendelliikumise mehhanism on määrduanud.	▶ Kontrollige, kas pendlikahvlite piirkonnas on mustust, eemaldage see.
	Pendelliikumise hoob on asendis "0".	▶ Reguleerige välja soovitud väärtus.
Aku tühjeneb tavalisest kiiremini.	Ümbritseva keskkonna väga madal temperatuur.	▶ Laske akul aeglaselt ruumitemperatuurile soojeneda.
Aku ei fikseeru kuuldava klõpsuga kohale.	Aku fiksaatorninad on määrduanud.	▶ Puhastage fiksaatorninad ja paigaldage aku uuesti.
1 LED-tuli vilgub. Seade ei tööta.	Aku on tühi.	▶ Vahetage aku välja ja laadige tühi aku täis.
	Aku on liiga kuum või liiga külm.	▶ Laske akul aeglaselt ruumitemperatuurile soojeneda või jahtuda.
Kõik 4 LED-tuld vilguvad. Seade ei tööta.	Seade on ülekoormatud.	▶ Vabastage toitelüliti ja vajutage sellele uuesti. Seejärel laske seadmel u 30 sekundit tühikäigul töötada.
Seade või aku läheb väga kuumaks.	Elektriline rike	▶ Lülitage seade kohe välja, eemaldage aku, jälgige seda, laske akul jahtuda ja võtke ühendust <b>Hilti</b> hooldekeskusega.

## 12 Utiliseerimine

### HOIATUS

**Valest käitlemisest tingitud vigastuste oht!** Eralduvad gaasid või vedelikud on terviseohtlikud.

- ▶ Ärge saatke kahjustada saanud akusid posti teel!
- ▶ Lühise vältimiseks katke akukontaktid elektrit mittejuhtiva materjalga.
- ▶ Käideldes akusid nii, et need ei satu laste kätte.
- ▶ Utiliseerige aku **Hilti Store** esinduses või pöörduge asjaomase jäätmekäitlusettevõtte poole.

Enamik **Hilti** seadmete valmistamisel kasutatud materjalidest on taaskasutatavad. Taaskasutuse eelduseks on materjalide korralik sorteerimine. Paljudes riikides kogub **Hilti** kasutusressursi ammendanud seadmed kokku. Lisateavet saate **Hilti** müügiesindusest.



- ▶ Ärge visake kasutusressursi ammendanud elektrilisi tööriistu, elektroonikaseadmeid ja akusid olmejäätmete hulka!



## 13 RoHS (ohtlike ainete kasutamist piirav direktiiv)

Ohtlike ainete tabeli leiate järgmiste linkide alt: [qr.hilti.com/r5212958](http://qr.hilti.com/r5212958)

RoHS-tabeli juurde viiva lingi leiate käesoleva dokumendi lõpust QR-koodina.

## 14 Tootja garantii

- ▶ Garantiitingimusi puudutavates küsimustes pöörduge oma kohaliku **Hilti** partneri poole.

# Originālā lietošanas instrukcija

## 1 Informācija par lietošanas instrukciju

### 1.1 Par šo lietošanas instrukciju

- Pirms ekspluatācijas sākšanas obligāti izlasiet šo lietošanas instrukciju. Tas ir priekšnoteikums darba drošībai un izstrādājuma lietošanai bez traucējumiem.
- Ievērojiet drošības norādījumus un brīdinājumus, kas atrodami šajā lietošanas instrukcijā un uz izstrādājuma.
- Vienmēr glabājiet lietošanas instrukciju izstrādājuma tuvumā un, nododot izstrādājumu citai personai, vienmēr dotiet līdzī šo lietošanas instrukciju.

### 1.2 Apzīmējumu skaidrojums

#### 1.2.1 Brīdinājumi

Brīdinājumi pievērš uzmanību bīstamībai, kas pastāv, strādājot ar izstrādājumu. Tiek lietoti šādi signālvārdi:

#### **BĪSTAMI!**

**BĪSTAMI!** !

- ▶ Pievērš uzmanību draudošām briesmām, kas var izraisīt smagus miesas bojājumus vai nāvi.

#### **BRĪDINĀJUMS!**

**BRĪDINĀJUMS!** !

- ▶ Pievērš uzmanību iespējamam apdraudējumam, kas var izraisīt smagas traumas vai pat nāvi.





#### **IEVĒROT PIESARDZĪBU!**

**UZMANĪBU!** !

- ▶ Norāda uz iespējami bīstamām situācijām, kas var izraisīt traumas vai materiālos zaudējumus.

#### 1.2.2 Dokumentācijā lietotie simboli

Šajā dokumentācijā tiek lietoti šādi simboli:

	Pirms lietošanas izlasiet instrukciju
	Norādījumi par lietošanu un cita noderīga informācija
	Rīcība ar otrreiz pārstrādājamiem materiāliem
	Neizmetiet elektroiekārtas un akumulatorus sadzīves atkritumos.

#### 1.2.3 Attēlos lietotie simboli

Attēlos tiek lietoti šādi simboli:

- 2** Šie skaitļi norāda uz attiecīgajiem attēliem, kas atrodami šīs instrukcijas sākumā.



3	Numerācija attēlos atbilst veicamo darbību secībai un var atšķirties no darbību apraksta tekstā.
	Pozīciju numuri tiek lietoti attēlā <b>Pārskats</b> un norāda uz leģendas numuriem sadaļā <b>Izstrādājuma pārskats</b> .
	Šī simbola uzdevums ir pievērst īpašu uzmanību izstrādājuma lietošanas laikā.

### 1.3 Simboli atkarībā no izstrādājuma

#### 1.3.1 Simboli uz izstrādājuma

Uz izstrādājuma var būt lietoti šādi simboli:

$n_0$	Gājēju skaits tukšgaitā
	Līdzstrāva
	Izstrādājums atbalsta bezvadu datu pānesi, kas ir saderīga ar iOS un Android platformām.
Li-Ion	Litija jonu akumulators
	Lietojamā <b>Hilti</b> litija jonu akumulatoru sērija. Ņemiet vērā informāciju, kas iekļauta nodaļā <b>Nosacījumiem atbilstīga lietošana</b> .
	Nekādā gadījumā nelietojiet akumulatoru kā triecieninstrumentu.
	Sargājiet akumulatoru no kritieniem. Nelietojiet akumulatoru, ja tas ir bijis pakļauts triecienam vai tam ir radušies cita veida bojājumi.

#### 1.4 Izstrādājuma informācija

**HILTI** izstrādājumi ir paredzēti profesionāliem lietotājiem, un to darbināšanu, apkopi un tehniskā stāvokļa uzturēšanu drīkst veikt tikai kvalificēts, atbilstīgi apmācīts personāls. Personālam ir jābūt labi informētam par iespējamajiem riskiem, kas var rasties darba laikā. Aprakstītais izstrādājums un tā papildaprīkojums var radīt bīstamas situācijas, ja to lieto nepareizi vai uztic pietiekami neapmācītam personālam.

Iekārtas tipa apzīmējums un sērijas numurs ir norādīti uz identifikācijas datu plāksnītes.

- ▶ Ierakstiet sērijas numuru zemāk redzamajā tabulā. Vienmēr norādiet šo informāciju, vērsoties ar jautājumiem par izstrādājumu mūsu pārstāvniecībā vai servisā.

##### Izstrādājuma dati

Manuāls svārstzāģis	SJT 6-A22
Paaudze	01
Sērijas Nr.	

#### 1.5 Atbilstības deklarācija

Uzņemoties pilnu atbildību, mēs apliecinām, ka šeit aprakstītais izstrādājums atbilst šādām direktīvām un standartiem: Atbilstības deklarācijas attēls ir atrodams šīs dokumentācijas beigās.

Tehniskā dokumentācija ir saglabāta šeit:

Hilti Entwicklungsgesellschaft mbH | Zulassung Geräte | Hiltistraße 6 | 86916 Kaufering, DE

## 2 Drošība

### 2.1 Vispārīgi drošības norādījumi par darbu ar elektroiekārtām

**⚠ BRĪDINĀJUMS!** Iepazīstieties ar visiem drošības norādījumiem, instrukcijām, attēliem un tehniskajiem parametriem, kas attiecas uz šo elektroiekārtu. Turpmāk izklāstīto instrukciju neievērošana var izraisīt elektrošoku, ugunsgrēku un/vai nopietnas traumas.

**Saglabājiet visus drošības norādījumus un instrukcijas turpmākai lietošanai.**



Drošības norādījumos lietotais apzīmējums "elektroiekārta" attiecas uz iekārtām ar tīkla barošanu (ar barošanas kabeli) vai iekārtām ar barošanu no akumulatora (bez kabeļa).

### Drošība darba vietā

- ▶ **Uzturiet darba vietā tīrību un kārtību un nodrošiniet labu apgaismojumu.** Nekārtīgā darba vietā vai sliktā apgaismojumā var viegli notikt nelaimes gadījums.
- ▶ **Nestrādājiet ar elektroiekārtu sprādzienbīstamā vidē, kur atrodas uzliesmojoši šķidrumi, gāzes vai putekļi.** Darbības laikā elektroiekārtas mēdz dzirkstēļot, un tas var izraisīt viegli uzliesmojošu putekļu vai tvaiku aizdegšanos.
- ▶ **Lietojot elektroiekārtu, neļaujiet nepiederošām personām un jo īpaši bērniem tuvoties darba vietai.** Citu personu klātbūtne var novērst uzmanību, un tā rezultātā jūs varat zaudēt kontroli pār iekārtu.

### Elektrodrošība

- ▶ **Elektroiekārtas kontaktdakšai jāatbilst elektroīkla kontaktligzdai. Kontaktdakšas konstrukciju nedrīkst nekādā veidā mainīt. Kopā ar elektroiekārtām, kurām ir aizsargemējums, nedrīkst lietot adapteru spraudņus.** Neizmainītas konstrukcijas kontaktdakša, kas atbilst kontaktligzdai, ļauj samazināt elektrošoka risku.
- ▶ **Darba laikā nepieskarieties saņemtiem priekšmetiem, piemēram, caurulēm, radiatoriem, plītim vai ledusskapjiem.** Pieskaroties saņemtiem virsmām, pieaug risks saņemt elektrisko triecienu.
- ▶ **Nelietojiet elektroiekārtu lietus laikā, neturiet to mitrumā.** Mitrumam iekļūstot elektroiekārtā, pieaug risks saņemt elektrisko triecienu.
- ▶ **Nenesiet un nepakariniet elektroiekārtu aiz barošanas kabeļa un neraujiet aiz kabeļa, ja vēlaties atvienot iekārtu no elektroīkla kontaktligzdas. Sargājiet barošanas kabeli no karstuma, eļļas, asām šķautnēm vai kustīgām detaļām.** Bojāts vai sapīņķerējis barošanas kabelis var kļūt par cēloni elektrošokam.
- ▶ **Darbinot elektroiekārtu ārpus telpām, izmantojiet tās pievienošanai vienīgi tādus pagarinātāja-kabeļus, kas ir paredzēti lietošanai brīvā dabā.** Lietojot elektrokabeļi, kas ir piemērots darbam ārpus telpām, samazinās elektrošoka risks.
- ▶ **Ja elektroiekārtas izmantošana slapjā vidē ir obligāti nepieciešama, lietojiet bojājumstrāvas aizsargslēdzi.** Bojājumstrāvas aizsargslēdža lietošana samazina elektrošoka risku.

### Personiskā drošība

- ▶ **Strādājiet ar elektroiekārtu uzmanīgi, darba laikā saglabājiet paškontroli un rīkojieties saskaņā ar veselo saprātu. Ar elektroiekārtu nedrīkst strādāt personas, kas ir nogurušas vai atrodas narkotiku, alkohola vai medikamentu ietekmē.** Mirklis neuzmanības, strādājot ar elektroiekārtu, var novest pie nopietnām traumām.
- ▶ **Izmantojiet individuālos aizsardzības līdzekļus un darba laikā vienmēr valkājiet aizsargbrilles.** Individuālo aizsardzības līdzekļu (putekļu aizsargmaskas, neslidošu apavu un aizsargķiveres vai ausu aizsargu) lietošana atbilstoši elektroiekārtas tipam un veicamā darba raksturam ļauj izvairīties no savainojumiem.
- ▶ **Nepieļaujiet iekārtas nekontrolētas ieslēgšanās iespēju. Pirms pievienošanas elektrotīklam, akumulatora ievietošanas, elektroiekārtas satveršanas vai pārvietošanas pārliecinieties, ka tā ir izslēgta.** Ja iekārtas pārvietošanas laikā pirksts atrodas uz slēdža vai ja ieslēgta iekārta tiek pievienota elektrotīklam, var notikt nelaimes gadījums.
- ▶ **Pirms elektroiekārtas ieslēgšanas jānoņem visi regulēšanas piederumi un uzgriežņu atslēgas.** Regulēšanas piederumi vai uzgriežņu atslēga, kas iekārtas ieslēgšanas brīdī atrodas iekārtā, var radīt traumas.
- ▶ **Izvairieties no nedabiskām pozām. Darba laikā vienmēr saglabājiet līdzsvaru un nodrošinieties pret paslīdēšanu.** Tas atvieglos elektroiekārtas vadību neparedzētās situācijās.
- ▶ **Izvēlieties darbam piemērotu apģērbu. Darba laikā nenēsājiet brīvi plandošas drēbes un rotaslietas. Netuviniet matus, apģērbu un aizsargcimdus iekārtas kustīgajām daļām.** Vaļīgas drēbes, rotaslietas un gari mati var ieķerties iekārtas kustīgajās daļās.
- ▶ **Ja elektroiekārtas konstrukcija ļauj pievienot putekļu nosūcšanas vai savākšanas ierīci, sekojiet, lai tā būtu pievienota un tiktu darbināta pareizi.** Putekļu nosūcēja lietošana samazina putekļu kaitīgo ietekmi.
- ▶ **Nezaudējiet modrību un neatkāpieties no elektroiekārtu lietošanas drošības noteikumu ievērošanas arī tad, ja lietojat attiecīgo elektroiekārtu bieži un kārtīgi to pārzināt.** Neuzmanība vienā sekundes daļā var novest pie smagām traumām.

### Elektroiekārtas lietošana un apkope

- ▶ **Nepārslodojiet elektroiekārtu. Katram darbam izvēlieties piemērotu iekārtu.** Elektroiekārta darbosies labāk un drošāk pie nominālās slodzes.





- ▶ **Nelietojiet elektroiekārtu, ja ir bojāts tās slēdzis.** Elektroiekārta, ko nevar ieslēgt un izslēgt, ir bīstama un nekavējoties jānodod remontā.
- ▶ **Pirms iestatījumu veikšanas, aprīkojuma daļu nomainīšanas vai iekārtas novietošanas uzglabāšanā atvienojiet kontaktdakšu no elektrotīkla un/vai noņemiet noņemamo akumulatoru.** Šādi jūs novērsīsiet elektroiekārtas nejaūšas ieslēgšanās risku.
- ▶ **Elektroiekārtu, kas netiek darbināta, uzglabājiet piemērotā vietā.** Neļaujiet lietot iekārtu personām, kas nav iepazinušās ar tās funkcijām un izlasījušās šo lietošanas instrukciju. Ja elektroiekārtu lieto nekompetentas personas, tas var apdraudēt cilvēku veselību.
- ▶ **Rūpīgi veiciet elektroiekārtu un to piederumu apkopi.** Pārbaudiet, vai kustīgās daļas darbojas bez traucējumiem un neķeras un vai kāda no daļām nav salauzta vai bojāta un tādējādi netraucē elektroiekārtas nevainojamu darbību. Raugieties, lai pirms iekārtas lietošanas tiktu nomainītas vai saremontētas bojātās daļas. Daudzi nelaimes gadījumi notiek tāpēc, ka elektroiekārtām nav nodrošināta pareiza apkope.
- ▶ **Griezējinstrumentiem vienmēr jābūt uzasinātiem un tīriem.** Rūpīgi kopti griezējinstrumenti ar asām šķautnēm retāk iestrēgst un ir vieglāk vadāmi.
- ▶ **Lietojiet elektroiekārtu, piederumus, maināmos instrumentus utt. saskaņā ar šiem norādījumiem.** Jāņem vērā arī konkrētie darba apstākļi un veicamās operācijas īpatnības. Elektroiekārtu lietošana citiem mērķiem, nekā to ir paredzējis ražotājs, ir bīstama un var izraisīt neparedzamas sekas.
- ▶ **Raugieties, lai rokturu vai satveršanas virsmas būtu sausas, tīras, nenotraipītas ar eļļu un smērvielām.** Ja rokturu vai satveršanas virsmas ir slidenas, nav iespējama droša elektroiekārtas vadība un kontrole neparedzamās situācijās.

#### Ar akumulatoru darbināmas iekārtas lietošana un apkope

- ▶ **Akumulatora uzlādei jālieto tikai ražotāja ieteiktie lādētāji.** Noteikta veida akumulatoriem paredzēts lādētājs kļūst ugunsbīstams, ja to izmanto ar cita veida akumulatoriem.
- ▶ **Izmantojiet elektroiekārtas barošanai tikai tai paredzētos akumulatorus.** Cita tipa akumulatoru lietošana var izraisīt iekārtas un/vai akumulatora aizdegšanos.
- ▶ **Laikā, kad akumulators ir atvienots no iekārtas, nepieļaujiet tā kontaktu saskaršanos ar saspaudzēm, monētām, atslēgām, naglām, skrūvēm vai citiem nelieliem metāla priekšmetiem, kas varētu izraisīt īssavienojumu.** Ja starp akumulatora kontaktiem rodas īssavienojums, tas var sadegt vai kļūt par ugunsgrēka cēloni.
- ▶ **Nepareizi lietojot akumulatoru, no tā var izplūst šķidrums. Nepieļaujiet tā nokļūšanu uz ādas.** Ja tas tomēr nejaūši ir noticis, noskalojiet ar ūdeni. Ja šķidrums iekļūst acīs, izskalojiet acis un nekavējoties vērsieties pie ārsta. No akumulatora izplūdušais šķidrums var izraisīt ādas kairinājumu vai apdegumus.
- ▶ **Nelietojiet bojātus vai modificētus akumulatorus.** Bojāti vai modificēti akumulatori var radīt neparedzamas situācijas un izraisīt ugunsgrēku, eksploziju vai traumas.
- ▶ **Nepakļaujiet akumulatoru uguns vai augstas temperatūras iedarbībai.** Uguns vai temperatūra virs 130 °C (265 °F) var izraisīt eksploziju.
- ▶ **Ievērojiet norādījumus par akumulatora lādēšanu un nekad nelādējiet akumulatoru vai ar akumulatoru darbināmo iekārtu ārpus lietošanas instrukcijā norādītā temperatūras diapazona.** Nepareiza lādēšana vai pieļaujamā temperatūras diapazona pārsniegšana var sabojāt akumulatoru un palielināt aizdegšanās risku.

#### Serviss

- ▶ **Uzdodiet elektroiekārtas remontu veikt tikai kvalificētam personālam, kas izmanto vienīgi oriģinālās rezerves daļas.** Tikai tā ir iespējams saglabāt iekārtas funkcionālo drošību.
- ▶ **Nekādā gadījumā neveiciet bojātu akumulatoru apkopi.** Jebkādus akumulatoru apkopes darbus drīkst veikt tikai ražotājs vai atbilstīgi pilnvarots klientu apkalpošanas dienests.

#### 2.2 Papildu drošības norādījumi par zāģēšanu ar asmens turpgaitas un atpakaļgaitas kustībām

- ▶ **Ja darba laikā pastāv iespēja, ka elektroiekārtā nostiprinātais instruments var nonākt saskarē ar apslēptiem elektriskajiem vadiem, vienmēr satveriet iekārtu aiz izolētajām rokturu virsmām.** Saskaroties ar spriegumam pieslēgtiem vadiem, spriegums tiek novadīts uz iekārtas metāla daļām, radot elektrošoka risku.
- ▶ **Nofiksējiet un nodrošiniet apstrādājamo priekšmetu ar skrūvspīļu palīdzību vai citā veidā uz stabilas pamatnes.** Ja jūs turat apstrādājamo priekšmetu ar roku vai piespiestu ķermenim, tas ir nestabils un var izraisīt kontroles zudumu.



## 2.3 Papildnorādījumi par drošību

### Personiskā drošība

- ▶ Lietojiet iekārtu tikai tad, ja tā ir nevainojamā tehniskā stāvoklī.
- ▶ Nekādā gadījumā neveiciet ar iekārtu neatļautas manipulācijas un nemēģiniet to pārveidot.
- ▶ Raugieties, lai rokturi vienmēr būtu sausi un tīri.
- ▶ Iekārtas lietošanas laikā valkājiet piemērotas aizsargbrilles, dzirdes aizsargaprīkojumu un aizsargcimdus.
- ▶ Darba instrumenta nomainas laikā valkājiet aizsargcimdus. Saskaņā ar maināmo instrumentu var izraisīt grieztas traumas un apdegumus.
- ▶ Valkājiet aizsargbrilles vai masku. Materiāla šķembas var savainot ķermeni un acis.
- ▶ Neskatieties tieši apgaismojumā (LED) un nevērsiet to pret citu cilvēku seju. Pastāv apžilbināšanas risks.
- ▶ Pirms darba sākšanas noskaidrojiet darba laikā radīto putekļu bīstamības kategoriju. Lietojiet celtniecības putekļsūcēju ar oficiālas sertifikācijas ietvaros piešķirtu drošības klasifikāciju, kas atbilst vietējiem putekļu ietekmes ierobežošanas normatīviem.
- ▶ Nodrošiniet darba vietā labu ventilāciju un, ja nepieciešams, valkājiet elpceļu aizsargmasku, kas aizsargā pret attiecīgā veida putekļiem. Saskaņā ar šiem putekļiem vai to ieelpošana var izraisīt lietotāja vai citu tuvumā esošo personu alerģiskas reakcijas un/vai elpceļu saslimšanas. Noteikti putekļu veidi, piemēram, ozola un skābarža koksnes putekļi, tiek uzskatīti par kancerogēniem – jo īpaši kopā ar kokapstrādē izmantojamām vielām (hromātiem, koksnes aizsarglīdzekļiem). Azbestu saturošus materiālus drīkst apstrādāt tikai kompetenti speciālisti.
- ▶ Darba pārtraukumos izpildiet pirkstu vingrinājumus, kas uzlabo asinsriti. Ilgstoša darba gadījumā vibrācija var radīt traucējumus pirkstu, roku vai plaukstu locītavu asinsvadu un nervu sistēmas funkcijās.

### Elektrodrošība

- ▶ Pirms darba sākšanas pārbaudiet, vai darba zonā neatrodas neseģti elektrības vadi, gāzes vai ūden-sapgādes caurules. Nejauši sabojājot zem sprieguma esošus vadus, iekārtas ārējās metāla daļas var izraisīt elektrošoku.

### Rūpīga elektroiekārtu lietošana un apkope

- ▶ Nostipriniet apstrādājamo priekšmetu. Izmantojot skrūvspīles vai citu fiksācijas ierīci, apstrādājamais priekšmets būs nofiksēts drošāk nekā tad, ja turēsiet to ar roku.

### Īpaši drošības norādījumi par figūrzāģu lietošanu

- ▶ Zāģēšanas laikā vienmēr virziet iekārtu prom no sava ķermeņa.
- ▶ Nekādā gadījumā neturiet rokas priekšā zāģa asmenim vai pie tā.
- ▶ Neveiciet zāģējumus nezināmās virsmās un nodrošiniet, lai zāģējuma trajektorijā ne augšpusē, ne apakšpusē neatrastos nekādi šķēršļi.
- ▶ Zāģēšanas laikā nesatveriet apstrādājamo priekšmetu no apakšas.

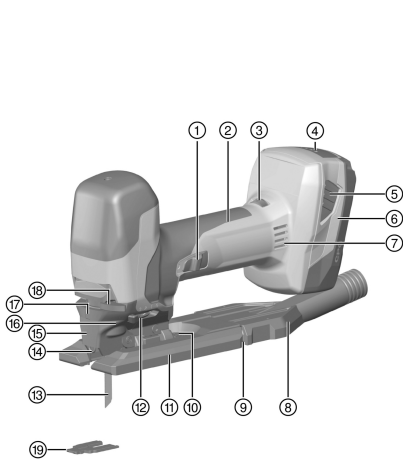
## 2.4 Akumulatoru pareiza lietošana un apkope

- ▶ Ievērojiet īpašos norādījumus par litija jonu akumulatoru transportēšanu, uzglabāšanu un ekspluatāciju.
- ▶ Sargājiet akumulatorus no augstas temperatūras, tiešiem saules stariem un uguns.
- ▶ Akumulatorus nedrīkst izjaukt, saspiest, sakarsēt virs 80 °C (176 °F) vai sadedzināt.
- ▶ Nemēģiniet izmantot vai uzlādēt akumulatorus, kas bijuši pakļauti triecienam, krituši no vairāk nekā viena metra augstuma vai ir citā veidā bojāti. Šādā gadījumā vienmēr vērsieties savā **Hilti servisā**.
- ▶ Ja akumulators kļūst pārāk karsts, iespējams, ka tas ir bojāts. Novietojiet akumulatoru labi pārredzamā, ugunsdrošā vietā, pietiekamā atstatumā no degošiem materiāliem. Ļaujiet akumulatoram atdzist. Ja pēc stundas akumulators joprojām ir tik karsts, ka to ir grūti satvert, tas nozīmē, ka tas ir bojāts. Vērsieties **Hilti servisā**.



### 3 Apraksts

#### 3.1 Izstrādājuma pārskats



- ① Ieslēgšanas un izslēgšanas slēdzis
- ② Rokturis
- ③ Gājienu skaita regulators
- ④ Akumulatora uzlādes līmeņa indikācija
- ⑤ Akumulatora atbloķēšanas taustiņš
- ⑥ Akumulators
- ⑦ Ventilācijas atveres
- ⑧ Nosūcēja adapters
- ⑨ Fiksācijas āķis
- ⑩ Zāģējuma lenķa iestatīšanas skala
- ⑪ Pamatplāksne
- ⑫ Svira svārsta gājienu iestatīšanai
- ⑬ Zāģa asmens
- ⑭ Pretsaskares aizsargs
- ⑮ Pārsegs
- ⑯ Instrumenta patrona
- ⑰ LED apgaismojums
- ⑱ Svira zāģa asmens atbrīvošanai
- ⑲ Skaidu noplēšanas aizsargs

#### 3.2 Nosacījumiem atbilstīga lietošana

Aprakstītais izstrādājums ir ar manuāli vadāms, ar akumulatoru darbināms svārstzāģis. Tas ir paredzēts plastmasas, koka un metāla materiālu, kā arī ģipša un šķiedras plākšņu zāģēšanai.

Izstrādājums ir aprīkots ar noņemamu pieslēguma īscauruli, kas paredzēta papildu putekļsūcēja / nosūkšanas iekārtas pievienošanai, izmantojot standarta nosūkšanas šļūtenes. Nosūcēja šļūtenes savienošanai ar izstrādājumu var būt nepieciešams atbilstīgs adapters.

- ▶ Lietojiet šī izstrādājuma barošanai tikai sērijas B 22 **Hilti** litija jonu akumulatorus.
- ▶ Lietojiet šo akumulatoru uzlādēšanai tikai sērijas C4/36 **Hilti** lādētājus.
- ▶ Lietojiet kopā ar šo izstrādājumu tikai zāģa asmeņus ar T veida kātu (kātu ar vienu izcili).

#### 3.3 Varbūtējā nepareizā lietošana

- Šo izstrādājumu nedrīkst lietot koku zaru un stumbru zāģēšanai.
- Šo izstrādājumu nedrīkst lietot veselībai kaitīgu materiālu apstrādei.
- Ar šo izstrādājumu nedrīkst strādāt slapjā un mitrā vidē.

#### 3.4 Uzlādes līmeņa indikācija

Litija jonu akumulatora uzlādes līmenis tiek parādīts pēc atbloķēšanas taustiņa vieglas nospiešanas (ne tālāk kā līdz sajūtamai pretestībai).

Stavuss	Nozīme
4 LED deg.	Uzlādes līmenis: no 75 % līdz 100 %
3 LED deg.	Uzlādes līmenis: 50 % līdz 75 %
2 LED deg.	Uzlādes līmenis: 25 % līdz 50 %
1 LED deg.	Uzlādes līmenis: no 10 % līdz 25 %
1 LED mirgo.	Uzlādes līmenis: < 10 %





Ja ir nospiests vadības slēdzis, kā arī 5 sekunžu laikā pēc vadības slēdža atlaišanas nolasīt uzlādes līmeņa indikāciju nav iespējams. Ja mirgo akumulatora uzlādes līmeņa indikācijas LED, lūdzu, sekojiet nodaļas "Traucējumu diagnostika" norādījumiem.

### 3.5 Skaidu nopūšanas ierīce

Skaidu nopūšanas ierīce pievada zāga asmenim gaisa plūsmu, lai atbrīvotu griezuma vietu no skaidām.

### 3.6 Gājienu skaits

Gājienu skaitu iespējams iestatīt ar regulatora palīdzību. Pozīcija 1 atbilst 800 gājieniem minūtē, bet pozīcija 6 atbilst 3000 gājieniem minūtē.

### 3.7 4 pakāpju svārstība

Ar 4 pakāpju svārstībām griezuma jauda un forma var tikt piemērotas apstrādājamajam materiālam. Ar svārsta gājienu iestatīšanas sviru var iestatīt 4 pakāpes.

Jo tīrākai un smalkākai jābūt griezuma malai, jo mazākai jābūt iestatītajai svārstību pakāpei. Optimālais uzstādījums tiek sasniegts, veicot praktiskus mēģinājumus.

Stavuss	Nozīme
Pakāpe 0	nav svārstību kustības
Pakāpe 1	neliela svārstību kustība
Pakāpe 2	vidēja svārstību kustība
Pakāpe 3	Liela svārstību kustība

### 3.8 Skaidu noplēšanas aizsargs

Izstrādājumu var aprīkot ar skaidu noplēšanas aizsargu.

Skaidu noplēšanas aizsargs novērš virsmas plēšanu, zāgējot kokmateriālus.

### 3.9 Iekārtas automātiskā izslēgšanās

Ja ieslēgšanas / izslēgšanas slēdzis ir nospiests ilgāk nekā 15 minūtes bez pārtraukuma (piemēram, transportēšanas vai uzglabāšanas laikā), iekārta automātiski izslēdzas. Tādējādi tiek novērsta akumulatora izlādēšanās.

### 3.10 Piegādes komplektācija

Svārstzāģis ar zāga asmeni, pārsegs, nosūcēja adapters, skaidu noplēšanas aizsargs, lietošanas instrukcija, iekšējā sešstūra atslēga.

Citus šim izstrādājumam izmantojamus sistēmas produktus meklējiet **Hilti** servisa centrā vai tīmekļvietnē [www.hilti.com](http://www.hilti.com).

## 4 Tehniskie parametri

### 4.1 Manuāls svārstzāģis

	SJT 6-A22
Nominālais spriegums	21,6 V
Svars saskaņā ar EPTA Procedure 01, ar akumulatoru B22/8.0	3,2 kg
Gājienu augstums	28 mm
Gājienu skaits tukšgaitā ( $n_0$ )	800 apgr./min ... 3 000 apgr./min
Maksimālā jauda, zāgējot koku	150 mm
Maksimālā jauda, zāgējot alumīniju	25 mm
Maksimālā jauda, zāgējot nelegētu tēraudu	10 mm
Zāgējuma leņķis (kreisais / labais)	0° ... 45°
Nosūcēja adaptera ārējais diametrs	27,5 mm



	<b>SJT 6-A22</b>
<b>Uzglabāšanas temperatūra</b>	-20 °C ... 70 °C
<b>Apkārtējā temperatūra darbības laikā</b>	-17 °C ... 60 °C
<b>Akumulatora temperatūra uzlādes sākumā</b>	-10 °C ... 45 °C
<b>Uzglabāšanas temperatūra</b>	-20 °C ... 40 °C
<b>Apkārtējā temperatūra darbības laikā</b>	-17 °C ... 60 °C

#### 4.2 Informācija par troksni un vibrāciju saskaņā ar EN 62841

Šajās instrukcijās norādītie lielumi, kas raksturo skaņas spiedienu un vibrāciju, ir noteikti ar standartizētas mērījumu metodes palīdzību, un tos var izmantot elektroiekārtu savstarpējai salīdzināšanai. Tos var izmantot arī trokšņa un vibrācijas iedarbības pagaidu novērtējumam.

Norādītie parametri attiecas uz elektroiekārtas galvenajiem lietošanas veidiem. Taču, ja elektroiekārta tiek izmantota citos nolūkos, ar citiem maināmajiem instrumentiem vai netiek nodrošināta pietiekama tās apkope, parametri var atšķirties no norādītajiem. Tas var ievērojami palielināt trokšņa un vibrācijas iedarbību visā darba laikā.

Lai precīzi novērtētu iedarbību, jāņem vērā arī laiks, cik ilgi iekārta ir izslēgta vai ir ieslēgta, taču faktiski netiek darbināta. Tas var būtiski samazināt iedarbību kopējā darba laikā.

Jāparedz papildu drošības pasākumi, lai aizsargātu iekārtas lietotāju pret trokšņa un/vai vibrācijas iedarbību, piemēram, elektroiekārtas un apkope, roku turēšana siltumā, darba procesu organizācija.

#### Skaņas emisijas rādītāji

	<b>SJT 6-A22</b>
<b>Skaņas jaudas līmenis (<math>L_{WA}</math>)</b>	100 dB(A)
<b>Skaņas jaudas līmeņa pielāde (<math>K_{WA}</math>)</b>	5 dB(A)
<b>Skaņas spiediena līmenis (<math>L_{pA}</math>)</b>	89 dB(A)
<b>Skaņas spiediena līmeņa pielāde (<math>K_{pA}</math>)</b>	5 dB(A)

#### Kopējie vibrācijas rādītāji

	<b>SJT 6-A22</b>
<b>Svārstību emisija koka plātņu zāģēšanas laikā (<math>a_{h,B}</math>)</b>	5,0 m/s <sup>2</sup>
<b>Pielāde, zāģējot skaidu plāksnes (K)</b>	1,5 m/s <sup>2</sup>
<b>Svārstību emisija skārda zāģēšanas laikā (<math>A_{h,m}</math>)</b>	7,9 m/s <sup>2</sup>
<b>Pielāde, zāģējot lokšņu metālu (K)</b>	1,5 m/s <sup>2</sup>

## 5 Akumulators

<b>Akumulatora darba spriegums</b>	21,6 V
<b>Apkārtējā temperatūra darbības laikā</b>	-17 °C ... 60 °C
<b>Uzglabāšanas temperatūra</b>	-20 °C ... 40 °C
<b>Akumulatora temperatūra uzlādes sākumā</b>	-10 °C ... 45 °C

## 6 Sagatavošanās darbam

### BRĪDINĀJUMS!

**Traumu risks nejaušas iedarbošanās gadījumā!**

- ▶ Pirms akumulatora ievietošanas pārliecinieties, ka attiecīgais izstrādājums ir izslēgts.
- ▶ Pirms iekārtas iestatīšanas vai piederumu maiņas izņemiet no iekārtas akumulatoru.

Ievērojiet drošības norādījumus un brīdinājumus, kas atrodami šajā dokumentācijā un uz izstrādājuma.

### 6.1 Akumulatora uzlādēšana

1. Pirms uzlādes sākšanas izlasiet lādētāja lietošanas instrukciju.
2. Raugieties, lai akumulatora un lādētāja kontaktu virsmas ir tīras un sausas.



3. Veiciet akumulatora uzlādi atbilstīgā lādētājā. → Lappuse 29

## 6.2 Akumulatora ievietošana

### BRĪDINĀJUMS!

#### Traumu risks īssavienojuma vai akumulatora nokrišanas gadījumā!

- ▶ Pirms akumulatora ievietošanas pārliecinieties, ka uz akumulatora un izstrādājuma kontaktiem neatrodas nekādi svešķermeņi.
  - ▶ Pārbaudiet, vai akumulators ir droši nofiksēts.
- 
1. Pirms pirmās lietošanas pilnībā uzlādējiet akumulatoru.
  2. Iebīdiet akumulatoru izstrādājumā, līdz tas dzirdami nofiksējas.
  3. Pārbaudiet, vai akumulators ir droši nofiksēts.

## 6.3 Akumulatora izņemšana

1. Nospiediet akumulatora atbloķēšanas taustiņus.
2. Izvelciet akumulatoru no iekārtas.

## 6.4 Zāga asmens ievietošana

1. Izņemiet akumulatoru.
2. Iespiediet zāga asmeni (ar zobiem griešanas virzienā) instrumenta stiprinājuma mehānismā, līdz tas nofiksējas.
3. Pavelkot zāga asmeni, pārbaudiet, vai tas ir droši nofiksēts.

## 6.5 Pārsega uzlikšana

1. Izņemiet akumulatoru.
2. No priekšpuses uzbīdiet pārsegu uz iekārtas, līdz tas nofiksējas.



Pārsegu iespējams uzlikt tikai tad, ja pamatplāksne atrodas normālā pozīcijā (nulles grādu pozīcijā).

## 6.6 Nosūcēja adaptera montāža

1. No aizmugures horizontāli iebīdiet nosūcēja adapteru pamatplāksnē, līdz nofiksējas abi sānos novietotie fiksācijas āķi.
2. Pievienojiet putekļu nosūkšanas šļūteni pie nosūcēja adaptera.

## 7 Lietošana

Ievērojiet drošības norādījumus un brīdinājumus, kas atrodami šajā dokumentācijā un uz izstrādājuma.

### 7.1 Lietojiet putekļu nosūkšanu



Putekļu nosūkšana samazina putekļu ietekmi, palielina darba drošību, radot labāku zāģējuma vietas pārskatāmību, un novērš darba vietas piesārņojumu ar putekļiem un skaidām.

1. Uzlieciet pārsegu. → Lappuse 32
2. Vienmēr lietojiet putekļu nosūkšanu, ja jūs ilgstoši apstrādājat koku vai citus materiālus, kuru apstrāde var izraisīt palielinātu putekļu koncentrāciju.

### 7.2 Ieslēgšana

1. Ievietojiet akumulatoru.



Drošības funkcija nepieļauj iekārtas iedarbošanos, ja vispirms tiek ieslēgta iekārta, bet tikai pēc tam akumulators tiek iebīdīts iekārtas stiprinājumā.

Vispirms pabīdiet ieslēgšanas / izslēgšanas slēdzi atpakaļ un pēc tam vērēiz uz priekšu.

2. Lai ieslēgtu iekārta, pabīdiet ieslēgšanas / izslēgšanas slēdzi uz priekšu.



### 7.3 Iegremdētie zāgējumi

1. Pārvietojiet svārsta gājiena iestatīšanas sviru pozīcijā 0.
2. Novietojiet iekārtu ar pamatplāksnes priekšējo malu uz apstrādājamā priekšmeta.
3. Stingri turiet iekārtu un nospiediet izslēgšanas / ieslēgšanas slēdzi.
4. Stingri piespiediet iekārtu pie apstrādājamā priekšmeta un iegremdējiet zāģi, samazinot pielikšanas leņķi.
5. Kad asmens ir izdurts cauri zāģējamajam priekšmetam, novietojiet iekārtu normālā darba pozīcijā.
  - ▶ Pamatplāksne piekļaujas visā virsmas laukumā.
6. Turpiniet zāģēšanu gar griezuma līniju.

### 7.4 Izslēgšana

- ▶ Lai izslēgtu iekārtu, pabīdīet ieslēgšanas / izslēgšanas slēdzi uz aizmuguri.

## 8 Demontāža

### 8.1 Nosūcēja adaptera demontāža

1. Iespiediet abus fiksācijas āķus uz iekšpusi.
2. Pavelkot uz aizmuguri, noņemiet nosūcēja adapteru no pamatplāksnes.
3. Pavelkot putekļu nosūcēja šļūteni, noņemiet to no nosūcēja adaptera

### 8.2 Pārsega noņemšana

1. Izņemiet akumulatoru.
2. Viegli sasveriet pārsegu uz sāniem un noņemiet to, pavelkot virzienā uz priekšu.

### 8.3 Zāģa asmens atbrīvošana

#### BRĪDINĀJUMS!

**Traumu risks.** Zāģa asmens nekontrolēta atbrīvošanās var izraisīt traumas.

- ▶ Zāģa asmens atbrīvošanas laikā turiet iekārtu tā, lai no iekārtas izvīstais zāģa asmens neapdraudētu cilvēkus vai dzīvniekus.

1. Izņemiet akumulatoru.
2. Līdz galam atvāziet zāģa asmens atbrīvošanas sviru uz sāniem.
  - ▶ Zāģa asmens tiek atbrīvots un izkrīt.

## 9 Apkope un uzturēšana

#### BRĪDINĀJUMS!

**Traumu risks ievietota akumulatora gadījumā !**

- ▶ Pirms jebkādiem apkopes un tehniskā stāvokļa uzturēšanas darbiem vienmēr izņemiet akumulatoru!

#### Izstrādājuma kopšana

- Uzmanīgi notīriet pielipušos netīrumus.
- Ja izstrādājumam ir ventilācijas atveres, uzmanīgi iztīriet tās ar sausu, mīkstu birstīti.
- Notīriet korpusa virsmas tikai ar neredzamu samitrinātu drāniņu. Nelietojiet silikonu saturošus kopšanas līdzekļus, jo tie var sabojāt plastmasas daļas.
- Izstrādājuma kontaktu tīrīšanai lietojiet tīru un sausu drāniņu.

#### Litija jonu akumulatoru apkope

- Nekādā gadījumā nelietojiet akumulatoru ar nosprostotām ventilācijas atverēm. Uzmanīgi iztīriet ventilācijas atveres ar sausu, mīkstu birstīti.
- Nepakļaujiet akumulatoru nevajadzīgai putekļu vai netīrumu ietekmei. Nekādā gadījumā nepakļaujiet akumulatoru spēcīgam mitrumam (piemēram, nemērciet to ūdenī un neatstājiet lietū).

Ja akumulators ir samircis, rīkojieties ar to tāpat, kā jūs rīkotos ar bojātu akumulatoru. Ievietojiet to izolētā nedegošā materiāla tvertnē un vērsieties **Hilti** servisā.



- Raugieties, lai akumulators nebūtu savārtīts ar nepiederīgu eļļu un smērvielām. Raugieties, lai uz akumulatora nevajadzīgi neuzkrātos putekļi un netīrumi. Notīriet akumulatoru ar sausu, mīkstu birstīti vai tīru un sausu drāniņu. Nelietojiet silikonu saturošus kopšanas līdzekļus, jo tie var sabojāt plastmasas daļas.

Nepieskarieties akumulatora kontaktiem un neattīriet kontaktus no rūpnīcā uzklātās smērvielas.

- Notīriet korpusa virsmas tikai ar nedaudz samitrinātu drāniņu. Nelietojiet silikonu saturošus kopšanas līdzekļus, jo tie var sabojāt plastmasas daļas.

#### Uzturēšana

- Regulāri pārbaudiet visas redzamās daļas, lai pārliecinātos, ka tās nav bojātas un funkcionē nevainojami.
- Nelietojiet izstrādājumu, ja tam ir radušies bojājumi un/vai funkciju traucējumi. Nekavējoties nododiet izstrādājumu **Hilti** servisā remonta veikšanai.
- Pēc apkopes un remonta darbiem piemontējiet vietā visas aizsargierīces un pārbaudiet, vai tās darbojas nevainojami.



Lai izstrādājuma lietošana būtu droša, izmantojiet tikai oriģinālās rezerves daļas un patēriņa materiālus. Rezerves daļas, patēriņa materiālus un piederumus, kuru lietošanu kopā ar šo izstrādājumu akceptē **Hilti**, var atrast **Hilti Store** vai tīmekļvietnē: [www.hilti.group](http://www.hilti.group)

### 9.1 Nosūcēja adaptera tīrīšana

1. Izņemiet akumulatoru.
2. Demontējiet nosūcēja adapteru. → Lappuse 33
3. Iztīriet nosūcēja adapteru.
4. Pārbaudiet, vai nav bojāti fiksācijas āķi.
5. Piemontējiet nosūcēja adapteru. → Lappuse 32

### 9.2 Zāga asmeņu tīrīšana

1. Regulāri attīriet izmantotos zāga asmeņus no sveķiem.
2. Uz 24 stundām ievietojiet zāga asmeņus petrolejā vai veikalā nopērkamā sveķu šķīdinātājā.

## 10 Iekārtu un akumulatoru transportēšana un uzglabāšana

### Transportēšana

#### **IEVĒROT PIESARDZĪBU!**

#### **Nekontrolēta iedarbošanās transportēšanas laikā !**

- ▶ Pirms iekārtu transportēšanas vienmēr izņemiet no tām akumulatorus!
- ▶ Izņemiet akumulatoru / akumulatorus.
- ▶ Nekādā gadījumā netransportējiet akumulatorus nenostiprinātā veidā, sabērtus kaudzē. Transportēšanas laikā akumulatori jāsaņem no triecieniem un vibrācijām, kā arī jāizolē no jebkādiem materiāliem, kam piemīt elektriskā vadītspēja, un citiem akumulatoriem, lai nepieļautu to nonākšanu saskarē ar citu bateriju kontaktiem un īssavienojuma rašanos. **Ievērojiet vietējos noteikumus par akumulatoru transportēšanu.**
- ▶ Akumulatorus nedrīkst sūtīt pa pastu. Ja vēlaties nosūtīt nebojātus akumulatorus, vērsieties sūtījumu piegādes uzņēmumā.
- ▶ Pirms katras lietošanas, kā arī pēc ilgākas transportēšanas pārbaudiet, vai izstrādājums un akumulatori nav bojāti.

### Uzglabāšana

#### **BRĪDINĀJUMS!**

#### **Neparedzami bojājumi bojātu vai izplūdušu akumulatoru dēļ !**

- ▶ Pirms iekārtu novietošanas glabāšanā vienmēr izņemiet no tām akumulatorus!
- ▶ Glabājiet izstrādājumu un akumulatorus vēsā un sausā vietā. Ievērojiet temperatūras robežvērtības, kas norādītas tehnisko parametru sadaļā.
- ▶ Neglabājiet akumulatorus uz lādētāja. Pēc uzlādes procesa vienmēr noņemiet akumulatoru no lādētāja.
- ▶ Nekad neglabājiet akumulatorus saulē, uz siltuma avotiem vai aiz stikla.
- ▶ Glabājiet izstrādājumu un akumulatorus tā, lai tiem nevarētu piekļūt bērni un nepiederīgas personas.





- Pirms katras lietošanas, kā arī pēc ilgākas uzglabāšanas pārbaudiet, vai izstrādājums un akumulatori nav bojāti.

## 11 Traucējumu novēršana

Ja iekārtas darbībā radušies traucējumi, kas nav uzskaitīti šajā tabulā vai ko jums neizdodas novērst saviem spēkiem, lūdzu, meklējiet palīdzību mūsu **Hilti** servisā.

Traucējums	Iespējamais iemesls	Risinājums
Izkrīt zāga asmens.	Zāga asmens nav kārtīgi nofiksēts.	<ul style="list-style-type: none"> <li>► Atkārtojiet nofiksēšanas procesu.</li> <li>► Raugieties, lai instrumenta stiprinājuma mehānisms būtu pilnībā atvērts un zāga asmens tiktu iespiests, pārvarot pretestību.</li> </ul>
	Netīra fiksācijas sistēma.	<ul style="list-style-type: none"> <li>► Izīriet instrumenta stiprinājumu.</li> </ul>
Nevar ievietot zāga asmeni.	Netīra fiksācijas sistēma.	<ul style="list-style-type: none"> <li>► Izīriet instrumenta stiprinājumu.</li> </ul>
Nav iespējams iestatīt svārsta gājienu.	Svārsta gājienu sviras rievā ir netīrumi.	<ul style="list-style-type: none"> <li>► Atbrīvojiet svārsta gājienu sviras rievu no netīrumiem.</li> </ul>
Nedarbojas svārsta kustība.	Svārsta mehānisms ir netīrs.	<ul style="list-style-type: none"> <li>► Pārbaudiet, vai svārsta dakšas zonā neatrodas netīrumi, un, ja nepieciešams, veiciet tīrīšanu.</li> </ul>
	Svārsta gājienu svira atrodas pozīcijā "0".	<ul style="list-style-type: none"> <li>► Iestatiet nepieciešamo lielumu.</li> </ul>
Akumulators izlādējas ātrāk nekā parasti.	Ļoti zema apkārtējā temperatūra.	<ul style="list-style-type: none"> <li>► Ļaujiet akumulatoram pamazām sasilt līdz istabas temperatūrai.</li> </ul>
Akumulators nenofiksējas ar sadzirdamu klikšķi.	Netīri akumulatora fiksācijas izciļņi.	<ul style="list-style-type: none"> <li>► Notīriet fiksācijas mēlītes un nofiksējiet akumulatoru no jauna.</li> </ul>
1 LED mirgo. Iekārta nedarbojas.	Akumulators ir izlādējies.	<ul style="list-style-type: none"> <li>► Nomainiet akumulatoru un uzlādējiet tukšo akumulatoru.</li> </ul>
	Akumulators ir pārāk auksts vai pārāk karsts.	<ul style="list-style-type: none"> <li>► Ļaujiet akumulatoram pamazām sasilt vai atdzist līdz istabas temperatūrai.</li> </ul>
Visas 4 LED mirgo. Iekārta nedarbojas.	Iekārta ir pārslogota.	<ul style="list-style-type: none"> <li>► Atlaidiet ieslēgšanas / izslēgšanas slēdzi un pēc tam nospiediet to vēlreiz. Pēc tam apm. 30 sekundes darbiniet iekārtu tukšgaitā.</li> </ul>
Iekārta vai akumulators spēcīgi sakarst.	Elektrisks defekts.	<ul style="list-style-type: none"> <li>► Nekavējoties izslēdziet iekārtu, izņemiet akumulatoru no iekārtas, vērojiet to, ļaujiet tam atdzist un vērsieties <b>Hilti</b> servisā.</li> </ul>


## 12 Nokalpojušo iekārtu utilizācija

### BRĪDINĀJUMS!

**Traumu risks neatbilstīgas utilizācijas gadījumā!** Veselības apdraudējums, izplūstot kaitīgām gāzēm un šķidrumiem.

- Bojātus akumulatorus nav atļauts nosūtīt!
- Lai nepieļautu īssavienojumus, nosedziet pieslēguma kontaktus ar materiālu, kam nepiemīt elektriskā vadītspēja.
- Utilizējiet akumulatorus tā, lai tiem nevarētu piekļūt bērni.
- Nododiet akumulatoru utilizācijai jūs apkalpojošajā **Hilti Store** vai vērsieties pie kompetentā atkritumu apsaimniekošanas uzņēmuma.



 **Hilti** izstrādājumu izgatavošanā tiek izmantoti galvenokārt otrreiz pārstrādājami materiāli. Priekšnosacījums otrreizējai pārstrādei ir atbilstoša materiālu šķirošana. Daudzās valstīs **Hilti** pieņem nolietotās iekārtas otrreizējai pārstrādei. Lai saņemtu vairāk informācijas, vērsieties **Hilti** servisā vai pie sava pārdošanas konsultanta.



- ▶ Neizmetiet elektroiekārtas, elektroniskas ierīces un akumulatorus sadzīves atkritumos!

### 13 RoHS (direktīva par bīstamo vielu izmantošanas ierobežošanu)

Lai apskatītu bīstamo vielu tabulu, izmantojiet šādas saites: [qr.hilti.com/r5212958](http://qr.hilti.com/r5212958)  
Saiti uz RoHS tabulu jūs QR koda veidā atradīsiet šīs dokumentācijas beigās.

### 14 Ražotāja garantija

- ▶ Ar jautājumiem par garantijas nosacījumiem, lūdzu, vērsieties pie vietējā **Hilti** partnera.

## Originali naudojimo instrukcija

### 1 Informacija apie naudojimo instrukciją

#### 1.1 Apie šią naudojimo instrukciją

- Prieš pradėdami eksploatuoti, perskaitykite šią naudojimo instrukciją. Tai yra saugaus darbo ir patikimo naudojimo sąlyga.
- Laikykitės saugos ir įspėjamųjų nurodymų, pateiktų šioje naudojimo instrukcijoje ir ant prietaiso.
- Šią naudojimo instrukciją visada laikykite kartu su prietaisu ir prietaisą kitiems asmenims perduokite tik kartu su šia naudojimo instrukcija.

#### 1.2 Ženklų paaiškinimas

##### 1.2.1 Įspėjantieji nurodymai

Įspėjantieji nurodymai įspėja apie pavojus, gresiančius eksploatuojant prietaisą. Naudojami tokie signaliniai žodžiai:

#### **PAVOJUS**

##### **PAVOJUS !**

- ▶ Šis žodis vartojamas norint įspėti apie tiesiogiai gresiantį pavojų, kurio pasekmės yra sunkūs kūno sužalojimai arba žūtis.

#### **ĮSPĖJIMAS**

##### **ĮSPĖJIMAS !**

- ▶ Šis žodis vartojamas norint įspėti apie galimai gresiantį pavojų, kurio pasekmės gali būti sunkūs kūno sužalojimai arba žūtis.

#### **ATSARGIAI**

##### **ATSARGIAI !**

- ▶ Šis žodis vartojamas potencialiai pavojingai situacijai žymėti, kai yra kūno sužalojimo arba materialinių nuostolių grėsmė.

##### 1.2.2 Instrukcijoje naudojami simboliai

Šioje instrukcijoje naudojami tokie simboliai:



Prieš naudojant, perskaityti instrukciją



Naudojimo nurodymai ir kita naudinga informacija



	Rodo, kad juo paženklintą medžiagą galima perdirbti
	Elektrinių prietaisų ir akumuliatorių nemesti į buitinius šiukšlynus

### 1.2.3 Ilustracijose naudojami simboliai

Illustracijose naudojami šie simboliai:

	Šie skaitmenys nurodo atitinkamą iliustraciją šios instrukcijos pradžioje
3	Numeravimas nurodo darbinių veiksmų eiliškumą paveikslėlyje ir gali skirtis nuo tekste pateiktą darbinių veiksmų numeravimo
	Pozicijų numeriai naudojami paveikslėlyje <b>Apžvalga</b> – jie nurodo skyrelyje <b>Prietaiso vaizdas</b> esančių paaiškinimų numerius
	Šiuo ženklu siekiama atkreipti ypatingą dėmesį į naudojamą šiuo prietaisu.

## 1.3 Specifiniai prietaiso simboliai

### 1.3.1 Simboliai ant prietaiso

Ant prietaiso gali būti naudojami šie simboliai:

$n_0$	Judesių dažnis veikiant tuščiaja eiga
	Nuolatinė srovė
	Prietaisas palaiko belaidį duomenų perdavimą, suderinamą su „iOS“ ir „Android“ platformomis.
Li-Ion	Ličio jonų akumulatorius
	Naudotas <b>Hilti</b> serijos ličio jonų akumulatorius. Atkreipkite dėmesį į duomenis skyriuje <b>Naudojimas pagal paskirtį</b> .
	Niekada nenaudokite akumulatoriaus kaip smūginio įrankio.
	Saugokite, kad akumulatorius nenukristų. Nenaudokite akumulatoriaus, kuris buvo sutrenktas arba kaip nors kitaip pažeistas.

### 1.4 Informacija apie prietaisą

**HILTI** gaminiai yra skirti profesionalams, todėl juos naudoti, atlikti jų techninės priežiūros darbus ir remontuoti leidžiama tik įgaliotam instruktui personalui. Šis personalas turi būti supažindintas su visais galimais pavojais. Neapmokyto personalo, netinkamai arba ne pagal paskirtį naudojamas prietaisas ir jo reikmenys gali kelti pavojų.

Tipas ir serijos numeris yra nurodyti firminėje duomenų lentelėje.

- ▶ Serijos numerį perkelkite į toliau nurodytą lentelę. Kreipdamiesi su prietaisu susijusiais klausimais į mūsų atstovybę ar techninės priežiūros centrą, visada nurodykite šią informaciją.

#### Prietaiso duomenys

Siaurapjūklis	SJT 6-A22
Karta	01
Serijos Nr.	

### 1.5 Atitikties deklaracija

Prisiimdami visą atsakomybę pareiškiame, kad čia aprašytas gaminys atitinka galiojančias direktyvas ir normas. Atitikties deklaracijos kopiją rasite šios instrukcijos gale.

Techninė dokumentacija saugoma čia:

Hilti Entwicklungsgesellschaft mbH | Zulassung Geräte | Hiltistraße 6 | 86916 Kaufering, DE



### 2.1 Bendrieji saugos nurodymai dirbantiems su elektriniais įrankiais

**⚠️ IŠSPĖJIMAS** Perskaitykite visus ant šio elektrinio įrankio esančius saugos nurodymus, instrukcijas, paveikslėlius ir techninius duomenis. Šių nurodymų nesilaikymas gali tapti elektros smūgio, gaisro ir / arba sunkių sužalojimų priežastimi.

**Išsaugokite visus saugos nurodymus ir instrukcijas, kad galėtumėte į juos pažvelgti ateityje.**

Saugos nurodymuose vartojama sąvoka „elektrinis įrankis“ apibrėžiami iš elektros tinklo maitinami elektriniai įrankiai (turintys maitinimo kabelį) ir iš akumulatoriaus maitinami elektriniai įrankiai (be maitinimo kabelio).

#### Sauga darbo vietoje

- ▶ **Pasirūpinkite, kad darbo vieta visada būtų švari ir gerai apšviesta.** Netvarkinga ar blogai apšviesta darbo vieta gali tapti nelaimingų atsitikimų priežastimi.
- ▶ **Nenaudokite elektrinio įrankio sprogioje aplinkoje, kurioje yra degių skysčių, dujų arba dulkių.** Veikiantys elektriniai įrankiai kibirkščiuoja, ir kibirkštys gali uždegti dulkes arba susikaupusius garus.
- ▶ **Dirbdami su elektriniu įrankiu, neieškite darbo zonoje būti vaikams ir pašaliniam asmeniui.** Atitraukę dėmesį nuo darbo, galite nebesuvaldyti prietaiso.

#### Apsauga nuo elektros

- ▶ **Prietaiso maitinimo kabelio kištukas turi atitikti elektros lizdo tipą.** Kištuko jokių būdu negalima keisti. Nenaudokite tarpinių kištukų kartu su elektriniais įrankiais, turinčiais apsauginį įžeminimą. Nepakeisti kištukai ir tinkami elektros lizdai mažina elektros smūgio riziką.
- ▶ **Venkite kūno kontakto su įžemintais paviršiais, pvz., vamzdžiais, šildytuvais, viryklėmis ir šaldytuvais.** Kai žmogaus kūnas yra įžemintas, padidėja elektros smūgio tikimybė.
- ▶ **Elektrinius įrankius saugokite nuo lietaus ir drėgmės.** Į elektrinį įrankį patekus vandens, padidėja elektros smūgio rizika.
- ▶ **Nenaudokite elektros maitinimo kabelio ne pagal paskirtį, t. y. neneškite elektrinio įrankio paėmę už kabelio, nekabinkite jo ant kabelio, netraukite už kabelio, norėdami ištraukti kištuką iš elektros lizdo.** Elektros maitinimo kabelį saugokite nuo karščio, alyvos, aštrių briaunų ar judančių dalių. Pažeisti arba susipynę elektros maitinimo kabeliai didina elektros smūgio riziką.
- ▶ **Jeį su elektriniu įrankiu dirbate lauke, naudokite tik tokius ilginimo kabelius, kurie tinka ir lauko darbams.** Naudojant lauko darbams tinkančius ilginimo kabelius, mažėja elektros smūgio rizika.
- ▶ **Jeigu elektrinio įrankio naudojimo drėgnoje aplinkoje negalima išvengti, į elektros tinklą jįjunkite per apsauginę nuotėkio relę.** Apsauginė nuotėkio relė mažina elektros smūgio riziką.

#### Žmonių sauga

- ▶ **Dirbdami su elektriniu įrankiu, būkite atidūs, sutelkite dėmesį į darbą ir vadovaukitės sveika nuovoka.** Elektrinio įrankio nenaudokite, jeigu esate pavargę arba apsvaigę nuo narkotinių medžiagų, alkoholio ar vaistų. Neatidumo akimirka dirbant su elektriniu įrankiu gali tapti rimtų sužalojimų priežastimi.
- ▶ **Naudokite asmenines apsaugos priemones ir visuomet užsidėkite apsauginius akinius.** Naudojant asmenines apsaugos priemones, pvz., respiratorių, neslystančius apsauginius batus, apsauginį šalną, ausines ir kt., priklausomai nuo elektrinio įrankio tipo ir naudojimo, mažėja rizika susižaloti.
- ▶ **Saugokitės, kad neįjungtumėte prietaiso atsitiktinai.** Prieš prijungdami prie elektros maitinimo tinklo, idėdami akumuliatorių, imdami į rankas ar nešdami, įsitinkite, kad elektrinis įrankis yra išjungtas. Jeigu nešdami elektrinį įrankį pirštą laikysite ant jungiklio arba įrankį įjungsite į elektros tinklą tuomet, kai jungiklis nėra išjungtas, gali įvykti nelaimingas atsitikimas.
- ▶ **Prieš įjungdami elektrinį įrankį, pašalinkite iš jo reguliavimo įrankius ar veržlinius raktus.** Besisukančioje prietaiso dalyje esantis įrankis ar paliktas raktas gali tapti sužalojimų priežastimi.
- ▶ **Venkite nepatogių kūno padėčių.** Dirbdami stovėkite tvirtai ir visada išlaikykite kūno pusiausvyrą. Taip galėsite geriau kontroliuoti elektrinį įrankį netikėtose situacijose.
- ▶ **Vilkėkite tinkamą aprangą. Nevilkėkite plačių drabužių, nesidėkite papuošalų.** Saugokite plaukus, drabužius ir pirštines nuo besisukančių prietaiso dalių. Laisvus drabužius, papuošalus ir ilgus plaukus gali įtraukti besisukančios prietaiso dalys.
- ▶ **Jeį yra numatyta galimybė prijungti dulkių nusiurbimo ar surinkimo įrenginius, visada įsitinkite, kad jie yra prijungti ir tinkamai naudojami.** Naudojant dulkių nusiurbimo įrenginį, gali sumažėti dulkių keliamą grėsmę.
- ▶ **Neturėkite iliuzijų, kad visada esate saugūs, ir, skaitydami naudojimo instrukcijas, nepraleiskite skyrelių apie saugų darbą su elektriniais įrankiais, net jeigu per ilgus naudojimo metus esate su savo elektriniu įrankiu susipažinę.** Neatsargus veiksmas per sekundės dalį gali tapti sunkių sužalojimų priežastimi.



### Elektrinio įrankio naudojimas ir elgesys su juo

- ▶ **Prietaiso neperkraukite.** Naudokite Jūsų darbui tinkamą elektrinį įrankį. Su tinkamu elektriniu įrankiu dirbsite geriau ir saugiau, jei neviršysite nurodytos galios.
- ▶ **Nenaudokite elektrinio įrankio su sugedusiu jungikliu.** Elektrinis įrankis, kurio nebegalima įjungti ar išjungti, yra pavojingas ir jį reikia remontuoti.
- ▶ **Prieš prietaisą nustatydami, keisdami reikmenis ar tiesiog padėdami į šalį, visuomet ištraukite maitinimo kabelio kištuką iš elektros lizdo ir / arba iš prietaiso išimkite akumuliatorių.** Ši atsargumo priemonė leis išvengti netikėto elektrinio įrankio įsijungimo.
- ▶ **Nenaudojamus elektrinius įrankius saugokite vaikams nepasiekiamoje vietoje. Neleiskite prietaisu naudotis asmenims, kurie nėra su juo susipažinę arba nėra perskaitę šios instrukcijos.** Elektriniai įrankiai yra pavojingi, kai juos naudoja patirties neturintys asmenys.
- ▶ **Elektrinius įrankius ir reikmenis rūpestingai prižiūrėkite.** Tikrinkite, ar judančios elektrinio įrankio dalys tinkamai funkcionuoja ir niekur nekliūva, ar nėra sulūžusių ir pažeistų dalių, kurios blogintų įrankio veikimą. Prieš naudojimą pažeistos prietaiso dalys turi būti suremontuotos. Blogai prižiūrimi elektriniai įrankiai yra daugelio nelaimingų atsitikimų priežastis.
- ▶ **Pjovimo įrankiai visuomet turi būti aštrūs ir švarūs.** Rūpestingai prižiūrėti pjovimo įrankiai su aštriomis pjovimo briaunomis mažiau stringa ir yra lengviau valdomi.
- ▶ **Elektrinį įrankį, reikmenis, keičiamuosius įrankius ir t. t. naudokite pagal šias instrukcijas. Taip pat atsižvelkite į darbo sąlygas ar atliekamo darbo pobūdį.** Elektrinius įrankius naudojant ne pagal paskirtį, gali kilti pavojingos situacijos.
- ▶ **Prižiūrėkite rankenas, kad jos ir jų laikymo paviršiai visada būtų sausi, švarūs ir neriebaluoti.** Slidžios rankenos ir jų laikymo paviršiai negali užtikrinti elektrinio įrankio saugaus naudojimo ir valdymo kontrolės nenumatytose situacijose.

### Akumulatorinio įrankio naudojimas ir elgesys su juo

- ▶ **Akumuliatoriams įkrauti naudokite tik tuos kroviklius, kuriuos rekomenduoja gamintojas.** Kroviklį, tinkantį tik nurodytiems akumuliatorių tipams, naudojant kitiems akumuliatoriams įkrauti, kyla gaisro pavojus.
- ▶ **Elektriniuose įrankiuose naudokite tik konkrečiai jiems skirtus akumuliatorius.** Naudojant kitokius akumuliatorius, kyla pavojus susižaloti ir sukelti gaisrą.
- ▶ **Nenaudojamo akumuliatoriaus nelaikykite šalia sąvaržėlių, monetų, raktų, vinių, varžtų ar kitokių smulkių metalinių daiktų, kurie galėtų trumpai sujungti akumuliatoriaus kontaktus.** Trumpai sujungus akumuliatoriaus kontaktus, yra pavojus nusideginti ar sukelti gaisrą.
- ▶ **Netinkamai naudojant akumuliatorių, iš jo gali ištekėti skystis. Venkite kontakto su šiuo skysčiu.** Jei skystis atsitiktinai pateko ant odos, nuplaukite ją vandeniu, jei pateko į akis - gerai praplaukite jas vandeniu ir nedelsdami kreipkitės į gydytoją. Akumuliatoriaus skystis gali sudirginti arba chemiškai nudeginti odą.
- ▶ **Nenaudokite pažeisto arba perdirbto akumuliatoriaus.** Pažeisti arba perdirbti akumuliatoriai gali funkcionuoti nenumatyta, todėl gali kelti gaisro, sprogo ar sužalojimų pavojų.
- ▶ **Akumuliatorių saugokite nuo ugnies ir per aukštos temperatūros.** Ugnies arba didesnės kaip 130 °C (265 °F) temperatūros veikiamas akumuliatorius gali sprogti.
- ▶ **Laikykites visų įkrovimo instrukcijų ir akumuliatorių arba akumuliatorinį įrankį visada įkraukite tik eksploatacijoje nurodytame temperatūrų diapazone.** Netinkamas įkrovimas arba įkrovimas už leistino temperatūrų diapazono ribų gali sugadinti akumuliatorių ir padidinti gaisro pavojų.

### Techninė priežiūra

- ▶ **Savo elektrinį įrankį patikėkite remontuoti tik kvalifikuotam specialistui, tam jis turi naudoti tik originalias atsargines dalis.** Taip galima užtikrinti, kad bus išlaikytas prietaiso naudojimo saugumas.
- ▶ **Niekada nevykdykite pažeistų akumuliatorių techninės priežiūros.** Bet kokią akumuliatorių techninę priežiūrą leidžiama vykdyti tik gamintojui arba įgaliotoms klientų aptarnavimo įmonėms.

## 2.2 Saugos nurodymai dirbantiems su pjūklais, kurių pjūklelis juda pirmyn ir atgal

- ▶ **Jeigu vykdant darbus keičiamasis įrankis gali paliesti paslėptus elektros laidus, elektrinį įrankį laikykite paėmę už izoliuotų rankenų paviršių.** Dėl kontakto su laidais, kuriais teka elektros srovė, metalinėse prietaiso dalyse taip pat gali atsirasti įtampa, todėl kyla elektros smūgio pavojus.
- ▶ **Ruošinį veržtuvais ar koku nors kitokiu būdu pritvirtinkite ir užfiksukite ant stabilaus pagrindo.** Jeigu ruošinį laikote tik ranka ar atrėmę į kūną, jis išlieka paslankus, todėl galite nesuvaldyti prietaiso.



## 2.3 Papildomi saugos nurodymai

### Žmonių sauga

- ▶ Prietaisą naudokite tik tada, kai jis yra techniškai tvarkingas.
- ▶ Prietaisą draudžiama keisti ar kitaip juo manipuliuoti.
- ▶ Rankenos visada turi būti sausos ir švarios.
- ▶ Dirbdami su prietaisu, užsidėkite tinkamus apsauginius akinius, ausines ir mūvėkite apsaugines pirštines.
- ▶ Keisdami keičiamąjį įrankį, mūvėkite apsaugines pirštines. Liesdami keičiamąjį įrankį, galite susipjaustyti ir nusideginti rankas.
- ▶ Dirbdami užsidėkite akių apsaugos priemonę. Medžiagų skeveldros gali sužaloti odą ir akis.
- ▶ Nežiūrėkite tiesiai į šviestuvą (šviesos dioda) ir nenukreipkite jo į kito žmogaus veidą. Yra pavojus apakti.
- ▶ Prieš pradėdami dirbti, išsiaiškinkite dirbant kylančių dulkių pavojingumo klasę. Naudokite licencijuotą statybinį dulkių siurbį, atitinkantį apsaugos klasę pagal vietoje galiojančias apsaugos nuo dulkių normas.
- ▶ Pasirūpinkite, kad darbo vieta būtų gerai vėdinama, ir, jeigu reikia, užsidėkite atitinkamoms dulkėms skirtą kvėpavimo takus saugančią kaukę. Liečiamos ar įkvėptos tokios dulkės darbuotojui ar arti jo esantiems asmenims gali sukelti alergines reakcijas ir / arba kvėpavimo takų susirgimus. Ažuolo arba buko medienos dulkės gali sukelti vėžinius susirgimus, ypač tada, kai buvo naudojami priedai medienai apdoroti (chromatai, medienos konservantai). Medžiagas, kuriose yra asbesto, leidžiama apdoroti tik specialistams.
- ▶ Dirbdami darykite pertraukas ir atpalaidavimo pratimus pirštams, kad pagerėtų kraujotaka. Dirbant ilgą laiką, vibracijos gali sukelti pirštų, plaštakos ar riešo sąnario kraujagyslių ar nervų sistemos pažeidimus.

### Apsauga nuo elektros

- ▶ Prieš pradėdami dirbti patikrinkite, ar darbo zonoje nėra paslėptų elektros laidų, dujų ar vandentiekio vamzdžių. Netyčia pažeidus elektros kabelį, išorinėse metalinėse prietaiso dalyse gali atsirasti įtampa, kelianti elektros smūgio pavojų.

### Atsargus elektrinių įrankių naudojimas ir elgesys su jais

- ▶ Apdirbamas detales ar ruošinius įtvirtinkite. Tvirtinimo įtaisais arba spaustuvais įtvirtintas ruošinys yra saugesnis, negu laikomas vien tik ranka.

### Specialieji saugos nurodymai dirbantiems su siaurapjūkliais

- ▶ Pjaudami prietaisą visada stumkite nuo kūno.
- ▶ Niekada nelaikykite rankų prieš pjūklėlį ar prie / ant pjūklelio.
- ▶ Nepjaukite nežinomų medžiagų ir nežinomose vietose, nuo pjūvio linijos viršuje ir apačioje pašalinkite kliūtis.
- ▶ Pjovimo metu neikiškite rankos po ruošiniu.

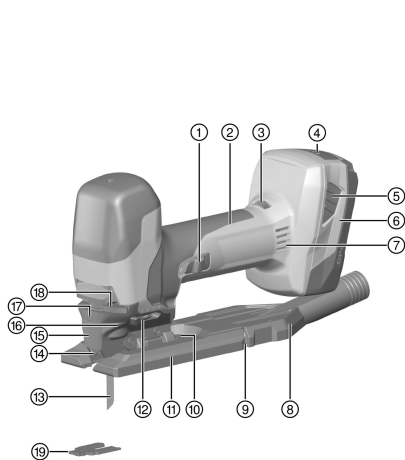
## 2.4 Su akumuliatoriais elgtis atsargiai

- ▶ Laikykites ličio jonų akumuliatorių specialiųjų transportavimo, sandėliavimo ir naudojimo direktyvų.
- ▶ Akumuliatorius saugokite nuo aukštos temperatūros, tiesioginių saulės spindulių ir ugnies.
- ▶ Akumuliatorius draudžiama ardyti, spausti, kaitinti iki aukštesnės kaip 80 °C (176 °F) temperatūros arba deginti.
- ▶ Nenaudokite ir neįkraukite akumuliatorių, kurie buvo patyrę smūgį, kritę iš didesnio kaip vieno metro aukščio ar yra pažeisti kitokiu būdu. Tokiu atveju visada kreipkitės į savo **Hilti techninės priežiūros centrą**.
- ▶ Jeigu į rankas paimtas akumuliatorius atrodo karštas, jis gali būti sugedęs. Padėkite akumuliatorių matomoje, nedegioje vietos pakankamu atstumu nuo degių medžiagų. Leiskite akumuliatoriui atvėsti. Jei akumuliatorius po valandos vis dar yra per karštas paimti į rankas, jis yra sugedęs. Susisiekite su **Hilti techninės priežiūros centru**.



### 3 Aprašymas

#### 3.1 Prietaiso vaizdas



- ① Jungiklis
- ② Rankena
- ③ Eigų dažnio nustatymo ratukas
- ④ Akumuliatoriaus įkrovos lygio indikatorius
- ⑤ Akumuliatoriaus atfiksavimo mygtukas
- ⑥ Akumuliatorius
- ⑦ Vėdinimo plyšiai
- ⑧ Nusiurbimo adapteris
- ⑨ Fiksavimo kablys
- ⑩ Pjovimo kampo nustatymo skalė
- ⑪ Pagrindo plokštė
- ⑫ Švytuojančios eigos nustatymo svirtis
- ⑬ Pjūklelis
- ⑭ Apsauga nuo lietimo
- ⑮ Gaubtelis
- ⑯ Įrankio griebtuvas
- ⑰ Šviestuvai (šviesos diodai)
- ⑱ Pjūklelio atfiksavimo svirtis
- ⑲ Apsauga nuo paviršiaus išdraskymo

#### 3.2 Naudojimas pagal paskirtį

Aprašytasis prietaisas rankinis akumuliatorinis siaurapjūklis. Jis yra skirtas plastikams, medienai ir metalinėms gamybinėms medžiagoms, taip pat gipso ir medienos plaušo plokštėms pjauti.

Prietaisas turi nuimamą prijungimo atvamzdį papildomai užsakomam dulkių siurbliui, prie kurio galima prijungti plačiai naudojamas siurblių žarnas. Siurblio žarnai sujungti su prietaisu gali tekti naudoti tinkamą adapterį.

- ▶ Su šiuo prietaisu naudokite tik B 22 serijos **Hilti** Li-Ion akumuliatorius.
- ▶ Šiems akumuliatoriams įkrauti naudokite tik C4/36 serijos **Hilti** kroviklius.
- ▶ Su šiuo prietaisu naudokite tik siaurapjūklį pjūklelius su T-kotu (kotas su vienu kumšteliu).

#### 3.3 Netinkamas naudojimas

- Prietaisą draudžiama naudoti medžių šakoms ir kamienams pjauti.
- Prietaisą draudžiama naudoti sveikatai pavojingoms gamybinėms medžiagoms apdirbti.
- Prietaisą draudžiama naudoti darbui drėgnoje aplinkoje.

#### 3.4 Įkrovos lygio indikatorius

Li-Ion akumuliatoriaus įkrovos lygis rodomas spustelėjus atblokavimo mygtuką (nestipriai, tik kol pajusite pasipriešinimą).

Būsena	Reikšmė
Šviečia 4 diodai.	Įkrovos lygis: nuo 75 iki 100 %
Šviečia 3 diodai.	Įkrovos lygis: nuo 50 iki 75 %
Šviečia 2 diodai.	Įkrovos lygis: nuo 25 iki 50 %
Šviečia 1 diodas.	Įkrovos lygis: nuo 10 iki 25 %
1 šviesos diodas mirksi.	Įkrovos lygis: < 10 %



**i** Kai nuspaustas valdymo jungiklis ir maždaug 5 sekundes po jo paleidimo įkrovos lygio pasižiūrėti negalima. Mirksint akumulatoriaus įkrovos lygio indikatorius šviesos diodams, laikykitės skryjuje „Pagalba sutrikus veikimui“ pateiktų nurodymų.

### 3.5 Drožlių nupūtimo įtaisas

Drožlių nupūtimo įtaisas į pjūklelį nukreipia oro srautą, kad nuo pjūvio linijos nupūtų drožles.

### 3.6 Eigų dažnis

Eigų dažnį galima nustatyti nustatymo ratuku. Padėtis 1 atitinka 800 eigų per minutę, o padėtis 6 atitinka 3000 eigų per minutę.

### 3.7 4 dydžių švytuoklinis judesys

4 dydžių švytuoklinis judesys leidžia pjovimo gylį ir pjūvio vaizdą tiksliau pritaikyti prie apdirbamos medžiagos. Vieną iš 4 dydžių galima pasirinkti švytuojančios eigos nustatymo svirtimi.

Kuo švaresnė ir tikslesnė turi būti pjūvio briauna, tuo žemesnį švytavimo dydį reikia pasirinkti. Optimalų nustatymą galima surasti praktiniais bandomais.

Būsena	Reikšmė
0 padėtis	Švytavimo nėra
1 padėtis	Mažas švytavimas
2 padėtis	Vidutinis švytavimas
3 padėtis	Didelis švytavimas

### 3.8 Apsauga nuo drožlės atplėšimo

Prietaise gali būti įrengta apsauga nuo drožlės atplėšimo.

Pjaunant medienos ruošinius, apsauga nuo drožlės atplėšimo saugo nuo paviršiaus išpleišėjimo ir briaunų trupėjimo.

### 3.9 Automatinis prietaiso išjungimas

Kai jungiklis yra nuolat nuspaustas ilgiau kaip 15 minučių (pvz., transportuojant ar sandėliuojant), prietaisas automatiškai išjungiamas. Taip išvengiama akumulatoriaus gilaus iškrovimo.

### 3.10 Tiekiamas komplektas

Siaurapjūklis su pjūkleliu, gaubtelis, nusiurbimo adapteris, apsauga nuo paviršiaus išdraskymo, naudojimo instrukcija, šešiabriaunis raktas.

Daugiau Jūsų turimam prietaisui skirtų sisteminių reikmenų rasite vietiniame **Hilti** techninės priežiūros centre arba tinklalapyje [www.hilti.com](http://www.hilti.com)

## 4 Techniniai duomenys

### 4.1 Siaurapjūklis

	SJT 6-A22
Nominalioji maitinimo įtampa	21,6 V
Svoris pagal EPTA Procedure 01 su akumulatoriumi B22/8.0	3,2 kg
Eigos dydis	28 mm
Eigų skaičius tuščiojoje eigoje (n <sub>0</sub> )	800 aps./min. ... 3 000 aps./min.
Maksimalus pjaunamos medienos storis	150 mm
Maksimalus pjaunamo aliuminio storis	25 mm
Maksimalus pjaunamo nelegiruoto plieno storis	10 mm
Pjovimo kampas (į kairę / į dešinę)	0° ... 45°
Išorinis nusiurbimo adapterio skersmuo	27,5 mm





	<b>SJT 6-A22</b>
<b>Laikymo temperatūra</b>	-20 °C ... 70 °C
<b>Darbinė aplinkos temperatūra</b>	-17 °C ... 60 °C
<b>Akumulatoriaus temperatūra, kai pradedama įkrauti</b>	-10 °C ... 45 °C
<b>Laikymo temperatūra</b>	-20 °C ... 40 °C
<b>Darbinė aplinkos temperatūra</b>	-17 °C ... 60 °C

#### 4.2 Informacija apie triukšmą ir vibracijos reikšmės pagal EN 62841

Šiuose nurodymuose pateiktos garso slėgio ir vibracijos reikšmės yra išmatuotos taikant standartizuotą matavimo metodą ir gali būti naudojami elektriniams įrankiams palyginti tarpusavyje. Jos taip pat tinka šių veiksmų poveikiui iš anksto įvertinti.

Nurodytieji duomenys yra susieti su pagrindinėmis šio elektrinio įrankio naudojimo sritimis. Jeigu elektrinis įrankis bus naudojamas kitaip, su skirtingais keičiamaisiais įrankiais arba bus nepakankamai techniškai prižiūrimas, šie duomenys gali skirtis nuo nurodytųjų. Tai gali gerokai padidinti šių veiksmų poveikį per visą darbo laikotarpį.

Norint tiksliai įvertinti poveikį, reikėtų įvertinti ir laiką, kai prietaisas yra išjungtas, arba, nors ir įjungtas, juo faktiškai nedirbama. Toks įvertinimas gali smarkiai sumažinti poveikio per visą darbo laikotarpį reikšmę.

Imkitės papildomų saugos priemonių, kad darbuotojas būtų apsaugotas nuo triukšmo ir / arba vibracijos poveikio, pavyzdžiui, reikalaukite tinkamos elektrinio įrankio ir keičiamųjų įrankių techninės priežiūros, pasirūpinkite, kad darbuotojų rankos visada būtų šiltos, užtikrinkite tinkamą darbo organizavimą.

#### Skleidžiamo triukšmo lygio reikšmės

	<b>SJT 6-A22</b>
<b>Garso stiprumo lygis (<math>L_{WA}</math>)</b>	100 dB(A)
<b>Garso stiprumo lygio paklaida (<math>K_{WA}</math>)</b>	5 dB(A)
<b>Garso slėgio lygis (<math>L_{pA}</math>)</b>	89 dB(A)
<b>Garso slėgio lygio paklaida (<math>K_{pA}</math>)</b>	5 dB(A)

#### Suminės vibracijų reikšmės

	<b>SJT 6-A22</b>
<b>Vibracijų emisijos reikšmė pjaunant medienos plokštes (<math>a_{h,B}</math>)</b>	5,0 m/s <sup>2</sup>
<b>Paklaida pjaunant medienos drožlių plokštes (K)</b>	1,5 m/s <sup>2</sup>
<b>Vibracijų emisijos reikšmė pjaunant metalo lakštą (<math>a_{h,M}</math>)</b>	7,9 m/s <sup>2</sup>
<b>Paklaida pjaunant metalinę skardą (K)</b>	1,5 m/s <sup>2</sup>

## 5 Akumulatorius

<b>Akumulatoriaus darbinė įtampa</b>	21,6 V
<b>Darbinė aplinkos temperatūra</b>	-17 °C ... 60 °C
<b>Laikymo temperatūra</b>	-20 °C ... 40 °C
<b>Akumulatoriaus temperatūra, kai pradedama įkrauti</b>	-10 °C ... 45 °C

## 6 Pasiruošimas darbui

### ĮSPĖJIMAS

#### Sužalojimo pavojus dėl atsitiktinio paleidimo!

- ▶ Prieš įdėdami akumuliatorių, įsitinkinkite, kad atitinkamas prietaisas yra išjungtas.
- ▶ Prieš nustatydami prietaisą ar keisdami reikmenis, išimkite akumuliatorių.

Laikykitės šioje instrukcijoje ir ant prietaiso pateiktų saugos nurodymų ir įspėjimų.

#### 6.1 Akumulatoriaus įkrovimas

1. Prieš pradėdami krauti, perskaitykite kroviklio naudojimo instrukciją.
2. Atkreipkite dėmesį, kad akumulatoriaus ir kroviklio kontaktai turi būti švarūs ir sausi.



3. Akumuliatorių įkraukite leistinu krovikliu. → psl. 41

## 6.2 Akumulatoriaus įdėjimas

### ĮSPĖJIMAS

#### Sužalojimo pavojus dėl trumpojo jungimo arba krintančio akumulatoriaus!

- ▶ Prieš įdėdami akumuliatorių įsitikinkite, kad jo ir prietaiso kontaktuose nėra pašalinių daiktų.
- ▶ Įsitikinkite, kad akumulatorius visada tinkamai užsifiksavo.

1. Prieš pirmąjį kartą naudodami, akumuliatorių pilnai įkraukite.
2. Akumuliatorių stumkite į prietaisą, kol jis girdimai užsifiksuos.
3. Patikrinkite, ar akumulatorius gerai užfiksuotas prietaise.

## 6.3 Akumulatoriaus išėmimas

1. Spauskite akumulatoriaus atfiksavimo mygtukus.
2. Akumuliatorių išimkite iš prietaiso.

## 6.4 Siaurapjūklio pjūklelio įdėjimas

1. Akumuliatorių išimkite.
2. Siaurapjūklio pjūklelį (dantimis pjovimo kryptimi) stumkite į įrankio griebtuvą, kol užsifiksuos.
3. Siaurapjūklio pjūklelį patraukite ir įsitikinkite, kad jis gerai užsifiksavo.

## 6.5 Gaubtelio uždėjimas

1. Akumuliatorių išimkite.
2. Gaubtelį iš priekio stumkite ant prietaiso, kol užsifiksuos.



Gaubtelį uždėti galima tik tada, kai pagrindo plokštė yra normalioje (nulinio laipsnio) padėtyje.

## 6.6 Nusiurbimo adapterio uždėjimas

1. Nusiurbimo adapterį iš galinės pusės horizontaliai stumkite į pagrindo plokštę, kol abu fiksavimo kabliai šonuose užsifiksuos.
2. Prie nusiurbimo adapterio prijunkite dulkių siurblio žarną.

## 7 Naudojimas

Laikykites šioje instrukcijoje ir ant prietaiso pateiktų saugos nurodymų ir įspėjimų.

### 7.1 Dulkių nusiurbimo įrangos naudojimas



Dulkių nusiurbimo įtaisas sumažina dulkių sklaidimą į aplinką ir didina darbo saugumą: darbo vietoje mažiau dulkių ir drožlių, geriau matoma pjūvio linija.

1. Gaubtelį uždėkite. → psl. 44
2. Jei ketinate ilgesnį laiką apdoroti medieną ar kitas daug dulkių keliančias medžiagas, visada naudokite dulkių nusiurbimo įrangą.

### 7.2 Įjungimas

1. Įdėkite akumuliatorių.



Apsauginė funkcija užtikrina, kad prietaisas nepasileistų, jeigu prietaisas pirma būtų įjungtas, o paskui akumulatorius būtų įstumtas į prietaise esantį laikiklį.

Pirma jungiklį vėl patraukti atgal ir tada vėl stumti pirmyn.

2. Norėdami prietaisą įjungti, jungiklį stumkite pirmyn.



### 7.3 Įleidžiamasis pjovimas

1. Švytuojančios eigos nustatymo svirtį nustatykite į padėtį „0“.
2. Prietaisą priekine pagrindo plokštės briauna uždėkite ant ruošinio.
3. Prietaisą tvirtai laikydami, spauskite jungiklį.
4. Prietaiso kraštą spauskite prie ruošinio ir, mažindami atakos kampą, leiskite pjūkleliui įsigilinti į medžiagą.
5. Kai pjūkleliu perversite ruošinį, tada prietaisą nustatykite į normalią darbinę padėtį.
  - ▶ Pagrindo plokštė yra visu plotu prispausta prie ruošinio.
6. Pjunkite pagal pjūvio liniją.

### 7.4 Išjungimas

- ▶ Norėdami prietaisą išjungti, jungiklį stumkite atgal.

## 8 Išmontavimas

### 8.1 Nusiurbimo adapterio nuėmimas 6

1. Abu fiksavimo kablius spauskite į vidų.
2. Traukdami atgal, nusiurbimo adapterį nuimkite nuo pagrindo plokštės.
3. Nuo nusiurbimo adapterio atjunkite dulkių siurblio žarną.

### 8.2 Gaubtelio nuėmimas 7

1. Akumuliatorių išimkite.
2. Gaubtelį šiek tiek kilstelėkite ir, patraukę į priekį, nuimkite.

### 8.3 Siaurapjūklio pjūklelio išstūmimas 8

#### ĮSPĖJIMAS

**Sužalojimo pavojus.** Nekontroliuojamas siaurapjūklio pjūklelio išstūmimas gali tapti sužalojimų priežastimi.

- ▶ Kai siaurapjūklio pjūklelis išstumiamas, prietaisą laikykite taip, kad pjūklelis negalėtų sužaloti žmonių ar gyvūnų.

1. Akumuliatorių išimkite.
2. Pjūklelio atfiksavimo svirtį lenkite į šoną, kol atsirems.
  - ▶ Siaurapjūklio pjūklelis atsilaisvins ir iškris.

## 9 Prižiūra ir einamasis remontas

#### ĮSPĖJIMAS

**Sužalojimo pavojus kai įstatytas akumulatorius !**

- ▶ Prieš pradėdami bet kokius techninės priežiūros ir einamojo remonto darbus, akumuliatorių iš prietaiso išimkite!

#### Prietaiso priežiūra

- Pripilpusius nešvarumus atsargiai nuvalykite.
- Jei yra, vėdinimo plyšius atsargiai išvalykite sausu minkštu šepetėliu.
- Korpusą valykite tik šiek tiek sudrėkinta šluoste. Nenaudokite priemonių, kurių sudėtyje yra silikono, nes jos gali pakenkti plastikinėms detalėms.
- Prietaiso kontaktams nuvalyti naudokite švnią, sausą šluostę.

#### Ličio jonų akumuliatorių priežiūra

- Niekada nenaudokite akumuliatoriaus, jei jo vėdinimo plyšiai yra užsikimšę. Vėdinimo plyšius atsargiai išvalykite sausu, minkštu šepetėliu.
- Saugokite akumuliatorių nuo bereikalingo dulkių ir nešvarumų poveikio. Saugokite akumuliatorių nuo didelės drėgmės (pvz., nepanardinkite į vandenį ir nepalikite stovėti lietuje). Jei akumuliatorius peršlapo, elkitės su juo kaip su pažeistu akumuliatoriumi. Izoliuokite jį nedegijame konteineryje ir kreipkitės į **Hilti** techninės priežiūros centrą.



- Saugokite akumuliatorių nuo pašalinės alyvos ir tepalų. Saugokite, kad ant akumuliatoriaus nenusėtų dulkių ir nešvarumų. Akumuliatorių valykite sausu, minkštu šepetėliu arba švaria, sausa šluoste. Nenaudokite priemonių, kurių sudėtyje yra silikono, nes jos gali pakenkti plastikinėms detalėms. Nelieskite akumuliatoriaus kontaktų ir nepašalinkite nuo kontaktų gamykloje užtepto tepalo.
- Korpusą valykite tik šiek tiek sudrėkinta šluoste. Nenaudokite priemonių, kurių sudėtyje yra silikono, nes jos gali pakenkti plastikinėms detalėms.

### Einamasis remontas

- Reguliariai tikrinkite, ar matomos dalys nėra pažeistos ir ar valdymo elementai veikia nepriekaištingai.
- Nenaudokite pažeisto prietaiso arba prietaiso su veikimo trukdžiais. Prietaisą nedelsdami pristatykite remontuoti į **Hilti** techninės priežiūros centrą.
- Atlikę priežiūros ir remonto darbus uždėkite visus apsauginiai įtaisus ir patikrinkite, ar jie nepriekaištingai veikia.



Kad eksploatacija būtų patikima, naudokite tik originalias atsargines dalis ir eksploatacines medžiagas. **Hilti** aprobuotas atsargines dalis, eksploatacines medžiagas ir reikmenis savo prietaisui rasite vietinėje **Hilti Store** arba tinklalapyje [www.hilti.group](http://www.hilti.group)

### 9.1 Nusiurbimo adapterio valymas

1. Akumuliatorių išimkite.
2. Nuimkite nusiurbimo adapterį. → psl. 45
3. Išvalykite nusiurbimo adapterį.
4. Patikrinkite, ar nepažeisti fiksavimo kabliai.
5. Uždėkite nusiurbimo adapterį. → psl. 44

### 9.2 Siaurapjūklio pjūklelių valymas

1. Nuo naudotų siaurapjūklio pjūklelių nuvalykite dervas.
2. Siaurapjūklio pjūklelius 24 valandoms sudėkite į indą su žibalu ar įprastine dervų šalinimo priemone.

## 10 Akumuliatorių įrankių ir akumuliatorių transportavimas ir sandėliavimas

### Transportavimas



#### **ATSARGIAI**

#### Atsitiktinis įjungimas transportuojant !

- ▶ Savo prietaisus visada transportuokite tik išėmę akumuliatorius!
- ▶ Išimkite akumuliatorių/akumuliatorius.
- ▶ Akumuliatorių niekada netransportuokite sumetę į krūvą su kitais daiktais. Transportuojamus akumuliatorius būtina saugoti nuo stiprių smūgių ir vibracijos, taip pat izoliuoti nuo bet kokių elektrai laidžių medžiagų ir kitų akumuliatorių, kad jie nesiliestų su kitų akumuliatorių poliais ir nesukeltų trumpojo jungimo. **Laikykitės eksploataavimo vietoje galiojančių akumuliatorių transportavimo direktyvų.**
- ▶ Akumuliatorius draudžiama siųsti paštu. Jei norite siųsti nepažeistus akumuliatorius, kreipkitės į pervežimų įmonę.
- ▶ Prieš kiekvieną naudojimą ir po ilgesnio transportavimo patikrinkite, ar prietaisas ir akumuliatoriai nepažeisti.

### Sandėliavimas



#### **ĮSPĖJIMAS**

#### Atsitiktinis pažeidimas dėl sugedusių ar išsiliejusių akumuliatorių !

- ▶ Savo prietaisus visada laikykite tik išėmę akumuliatorius!
- ▶ Prietaisas ir akumuliatorių laikykite vėsioje ir sausoje vietoje. Atkreipkite dėmesį į ribines temperatūros vertes, nurodytas skyriuje "Techniniai duomenys".
- ▶ Akumuliatoriaus nelaikykite ant kroviklio. Akumuliatorių visada nuimkite nuo kroviklio po įkrovimo proceso.
- ▶ Nelaikykite akumuliatoriaus saulėje, ant šilumos šaltinių ar už lango stiklo.
- ▶ Prietaisą ir akumuliatorius laikykite vaikams bei neįgaliesiems asmenims neprieinamoje vietoje.
- ▶ Prieš kiekvieną naudojimą ir po ilgesnio sandėliavimo patikrinkite, ar prietaisas ir akumuliatoriai nepažeisti.



## 11 Pagalba sutrikus veikimui

Pasitaikius sutrikimų, kurie nėra aprašyti šioje lentelėje arba kurių negalite pašalinti patys, kreipkitės į **Hilti** techninės priežiūros centrą.

Sutrikimas	Galima priežastis	Sprendimas
Siaurapjūklio pjūklelis iškrenta.	Netinkamai užfiksuotas siaurapjūklio pjūklelis.	<ul style="list-style-type: none"> <li>► Pakartokite užspaudimo procedūrą.</li> <li>► Atkreipkite dėmesį, kad įrankio griebtuvas turi būti visiškai atviras ir siaurapjūklio pjūklelis turi būti stumiamas, kol pajusite pasipriešinimą.</li> </ul>
	Užteršta užspaudimo sistema.	► Išvalykite įrankio griebtuvą.
Siaurapjūklio pjūklelio negalima įstatyti į griebtuvą.	Užteršta užspaudimo sistema.	► Išvalykite įrankio griebtuvą.
Švytuojančios eigos negalima keisti.	Užterštas švytuojančios eigos nustatymo svirties griovelis.	► Iš švytuojančios eigos nustatymo svirties griovelio pašalinkite nešvarumus.
Nėra švytuojančios eigos.	Užterštas švytavimo mechanizmas.	► Patikrinkite, ar neužteršta švytuoklės šakutės zona, ir, jeigu reikia, išvalykite.
	Švytuojančios eigos nustatymo svirtis yra padėtyje „0“.	► Nustatykite norimą padėtį.
Akumuliatorius išsenka greičiau negu įprastai.	Labai žema aplinkos temperatūra.	► Leiskite akumuliatoriui lėtai įšilti iki patalpos temperatūros.
Akumuliatorius neužsifiksuoja girdimu spragtelėjimu.	Užteršti akumuliatoriaus fiksatoriai.	► Fiksatorius išvalykite ir akumuliatorių įdėkite iš naujo.
1 šviesos diodas mirksi. Prietaisas neveikia.	Akumuliatorius yra išsekęs.	► Akumuliatorių pakeiskite, o išsekusį – įkraukite.
	Akumuliatorius yra per šaltas arba per karštas.	► Leiskite akumuliatoriui lėtai įšilti arba atvėsti iki patalpos temperatūros.
Mirksi visi 4 šviesos diodai. Prietaisas neveikia.	Prietaisas perkrautas.	► Jungiklį atleiskite ir vėl paspauskite. Tada leiskite prietaisui maždaug 30 sekundžių sukintis tuščiaja eiga.
Prietaisas arba akumuliatorius stipriai kaista.	Elektrinis gedimas	► Prietaisą nedelsdami išjunkite, išimkite akumuliatorių ir stebėkite jį, leiskite jam atvėsti ir susisiekite su <b>Hilti</b> techninės priežiūros centru.

## 12 Utilizavimas

### ĮSPĖJIMAS

**Sužalojimo pavojus dėl netinkamo utilizavimo!** Išėinančios dujos ir ištekantis skystis kelia pavojų sveikatai.

- Pažeistų akumuliatorių nesiūskite paštu ir nepervežkite!
- Kad būtų išvengta trumpojo jungimo, jungtis uždenkite elektrai nelaidžia medžiaga.
- Akumuliatorius utilizuokite taip, kad jie negalėtų patekti į vaikų rankas.
- Akumuliatorių pristatykite utilizuoti į savo **Hilti Store** arba kreipkitės į vietinę kompetentingą utilizavimo įmonę.

Didelė **Hilti** prietaisų dalis yra pagaminta iš medžiagų, kurias galima perdirbti. Būtina antrinio perdirbimo sąlyga yra tinkamas medžiagų išrūšiavimas. Daugelyje šalių **Hilti** priims Jūsų nebenaudojamą prietaisą perdirbti. Apie tai galite pasiteirauti artimiausiam **Hilti** techninės priežiūros centre arba savo prekybos konsultanto.





► Elektrinių įrankių, elektroninių prietaisų ir akumuliatorių neišmeskite į buitinius šiukšlynus!

## 13 RoHS (direktyva dėl pavojingų medžiagų naudojimo ribojimo)

Pavojingų medžiagų lentelę rasite spausdami šias nuorodas: [qr.hilti.com/r5212958](http://qr.hilti.com/r5212958)  
Nuorodą į RoHS lentelę rasite kaip QR kodą šios instrukcijos gale.

## 14 Gamintojo teikiama garantija

► Kilus klausimų dėl garantijos sąlygų, kreipkitės į vietinį Hilti partnerį.

# Перевод оригинального руководства по эксплуатации

## 1 Данные руководства по эксплуатации

### 1.1 Об этом документе



#### Импортер и уполномоченная изготовителем организация

- (RU) Российская Федерация  
АО "Хилти Дистрибьюшн ЛТД", 141402, Московская область, г. Химки, ул. Ленинградская, стр. 25, комната 15.26
- (BY) Республика Беларусь  
ИООО "Хилти БиУай", 222750, Минская область, Дзержинский район, Р-1, 18-й км, 2 (около д. Слободка), помещение 1-34
- (KZ) Республика Казахстан  
ТОО "Хилти Казахстан", 050057, г. Алматы, Бостандыкский район, ул. Тимирязева, дом 42/15, литер 012 (корпус15)
- (AM) Республика Армения  
ООО "ЭЙЧ-КОН", 0070, г. Ереван, ул. Ерванда Кочара 19/28

Страна производства: см. маркировочную табличку на оборудовании.

Дата производства: см. маркировочную табличку на оборудовании.

Соответствующий сертификат можно найти по адресу: [www.hilti.ru](http://www.hilti.ru)

Специальных требований к условиям хранения, транспортировки и использования, кроме указанных в руководстве по эксплуатации, нет.

Срок службы изделия составляет 5 лет.

- Перед началом работы изучите это руководство по эксплуатации. Это является залогом безопасной и бесперебойной работы.
- Соблюдайте указания по технике безопасности и предупреждающие указания, приведенные в этом руководстве по эксплуатации и на устройстве.
- Всегда храните руководство по эксплуатации рядом с устройством и передавайте устройство другим людям только вместе с этим руководством по эксплуатации.

### 1.2 Пояснение к знакам (условным обозначениям)

#### 1.2.1 Предупреждающие указания

Предупреждающие указания служат для предупреждения об опасностях при обращении с машиной. Используются следующие сигнальные слова:



**ОПАСНО**

#### **ОПАСНО !**

- Общее обозначение непосредственной опасной ситуации, которая влечет за собой тяжелые травмы или смертельный исход.



## ПРЕДУПРЕЖДЕНИЕ

### ПРЕДУПРЕЖДЕНИЕ !

- Общее обозначение потенциально опасной ситуации, которая может повлечь за собой тяжелые травмы или смертельный исход.

## ОСТОРОЖНО

### ОСТОРОЖНО !

- Общее обозначение потенциально опасной ситуации, которая может повлечь за собой травмы или повреждение оборудования (материальный ущерб).

### 1.2.2 Символы, используемые в руководстве

В этом руководстве используются следующие символы:

	Перед использованием прочтите руководство по эксплуатации.
	Указания по эксплуатации и другая полезная информация
	Обращение с материалами, пригодными для вторичной переработки
	Не выбрасывайте электроустройства и аккумуляторы вместе с обычным мусором!

### 1.2.3 Символы на изображениях

На изображениях используются следующие символы:

	Эти цифры указывают на соответствующее изображение в начале данного руководства.
	Нумерация на изображениях отображает порядок выполнения рабочих операций и может отличаться от нумерации, используемой в тексте.
	Номера позиций используются в <b>обзорном</b> изображении. В <b>обзоре изделия</b> они указывают на номера в экспликации.
	Этот знак должен привлечь особое внимание пользователя при обращении с изделием.

## 1.3 Символы в зависимости от изделия

### 1.3.1 Символы на изделии

На изделии могут использоваться следующие символы:

	Частота ходов в холостом режиме
	Постоянный ток
	Устройство поддерживает технологию NFC, совместимую с платформами iOS и Android.
	Литий-ионный аккумулятор
	Серия используемых литий-ионных аккумуляторов <b>Hilti</b> . Соблюдайте указания, приведенные в главе <b>Использование по назначению</b> .
	Никогда не используйте аккумулятор в качестве ударного инструмента.
	Не допускайте падения аккумулятора. Не используйте аккумулятор, который получил повреждения вследствие удара или каким-либо иным образом.

## 1.4 Информация об изделии

Изделия предназначены для профессионального использования, поэтому они должны обслуживаться и ремонтироваться только уполномоченным и обученным персоналом. Этот персонал должен пройти специальный инструктаж по технике безопасности. Использование данного электро-



инструмента и его оснастки не по назначению или его эксплуатация необученным персоналом могут представлять опасность.

Типовое обозначение и серийный номер указаны на заводской табличке.

- ▶ Перепишите серийный номер в нижеприведенную табличную форму. Всегда вводите эту информацию при обращении с запросами по изделию в наше представительство или сервисный центр.

#### Указания к изделию

Маятниковый электролобзик	SJT 6-A22
Поколение	01
Серийный №	

## 1.5 Декларация соответствия нормам

Настоящим мы с полной ответственностью заявляем, что данное изделие соответствует действующим директивам и нормам. Копию декларации соответствия нормам см. в конце этого документа.

Техническая документация (оригиналы) хранится здесь:

Hilti Entwicklungsgesellschaft mbH | Zulassung Geräte | Hiltistraße 6 | 86916 Kaufering, Германия

## 2 Безопасность

### 2.1 Общие указания по технике безопасности для электроинструментов

**⚠ ПРЕДУПРЕЖДЕНИЕ** Изучите все указания по технике безопасности, инструкции, иллюстрации и технические данные, которые прилагаются к данному электроинструменту. Несоблюдение приводимых ниже указаний может привести к поражению электрическим током, пожару и/или тяжелым травмам.

**Сохраните все указания по технике безопасности и инструкции для следующего пользователя.**

Используемый далее термин «электроинструмент» относится к электроинструменту, работающему от электрической сети (с кабелем электропитания) и от аккумулятора (без кабеля электропитания).

#### Безопасность рабочего места

- ▶ Следите за чистой и хорошей освещенностью на рабочем месте. Беспорядок на рабочем месте или плохое освещение могут привести к несчастным случаям.
- ▶ Не используйте электроустройство/электроинструмент во взрывоопасной зоне, где имеются горючие жидкости, газы или пыль. При работе электроустройство/электроинструмент искрит, и искры могут воспламенить пыль или пары/газы.
- ▶ Не разрешайте детям и посторонним приближаться к работающему электроустройству/электроинструменту. Отвлекаясь от работы, можно потерять контроль над электроустройством/электроинструментом.

#### Электрическая безопасность

- ▶ Соединительная вилка электроинструмента должна соответствовать розетке электросети. Не изменяйте конструкцию вилки! Не используйте переходные вилки с электроинструментами с защитным заземлением. Использование оригинальных вилок и соответствующих им розеток снижает риск поражения электрическим током.
- ▶ Избегайте непосредственного контакта с заземленными поверхностями, например с трубами, отопительными приборами, газо-/электропластинами и холодильниками. При контакте с заземленными предметами возникает повышенный риск поражения электрическим током.
- ▶ Предохраняйте электроинструменты от дождя или воздействия влаги. В результате попадания воды в электроинструмент возрастает риск поражения электрическим током.
- ▶ Не используйте кабель электропитания не по назначению, например для переноски электроинструмента, его подвешивания или для выдерживания вилки из розетки электросети. Защищайте кабель электропитания от воздействий высоких температур, масла, острых кромок или вращающихся деталей/узлов. В результате повреждения или схлестывания кабелей электропитания повышается риск поражения электрическим током.
- ▶ Если работы с электроинструментом выполняются на открытом воздухе, применяйте только удлинительные кабели, которые разрешено использовать вне помещений. Использование удлинительного кабеля, пригодного для использования вне помещений, снижает риск поражения электрическим током.
- ▶ Если избежать работы с электроинструментом в условиях влажности не представляется возможным, используйте автомат защиты от тока утечки. Использование автомата защиты от тока утечки снижает риск поражения электрическим током.





## Безопасность персонала

- ▶ **Будьте внимательны, следите за своими действиями и серьезно относитесь к работе с электроинструментом. Не пользуйтесь электроинструментом, если вы устали или находитесь под действием наркотиков, алкоголя или медикаментов.** Незначительная ошибка при невнимательной работе с электроинструментом может стать причиной серьезного травмирования.
- ▶ **Используйте средства индивидуальной защиты и всегда надевайте защитные очки.** Использование средств индивидуальной защиты, например респиратора, защитной обуви на нескользящей подошве, защитной каски или защитных наушников, в зависимости от вида и условий эксплуатации электроинструмента, снижает риск травмирования.
- ▶ **Избегайте непреднамеренного включения электроинструмента. Убедитесь в том, что электроинструмент выключен, прежде чем подключить его к электропитанию и/или вставить аккумулятор, поднимать или переносить электроинструмент.** Ситуации, когда при переноске электроинструмента палец находится на выключателе или когда включенный электроинструмент подключается к электросети, могут привести к несчастным случаям.
- ▶ **Перед включением электроинструмента удалите регулировочные приспособления или гаечные ключи.** Рабочий инструмент или гаечный ключ, находящийся во вращающейся части электроинструмента, может стать причиной получения травм.
- ▶ **Старайтесь избегать неестественных поз при работе. Постоянно сохраняйте устойчивое положение и равновесие.** Это позволит лучше контролировать электроинструмент в непредвиденных ситуациях.
- ▶ **Носите спецодежду. Не надевайте очень свободную одежду или украшения. Оберегайте волосы, одежду и защитные перчатки от вращающихся узлов электроинструмента.** Свободная одежда, украшения и длинные волосы могут быть захвачены ими.
- ▶ **Если предусмотрено подсоединение устройств для удаления и сбора пыли, убедитесь в том, что они подсоединены и используются по назначению.** Использование пылеудаляющего аппарата снижает вредное воздействие пыли.
- ▶ **Не пребывайте в ложной уверенности в собственной безопасности и не пренебрегайте правилами техники безопасности для электроинструментов, даже если вы являетесь опытным пользователем электроинструмента.** Неосторожное обращение может в течение долей секунды стать причиной получения тяжелых травм.

## Использование и обслуживание электроинструмента

- ▶ **Не допускайте перегрузки электроинструмента. Используйте электроинструмент, предназначенный именно для данной работы.** Соблюдение этого правила обеспечит более высокое качество и безопасность работы в указанном диапазоне мощности.
- ▶ **Не используйте электроинструмент с неисправным выключателем.** Электроинструмент, включение или выключение которого затруднено, представляет опасность и должен быть отремонтирован.
- ▶ **Прежде чем приступить к регулировке электроинструмента, замене принадлежностей или перед перерывом в работе выньте вилку из розетки и/или аккумулятор из электроинструмента.** Данная мера предосторожности позволит предотвратить непреднамеренное включение электроинструмента.
- ▶ **Храните неиспользуемые электроинструменты в местах, недоступных для детей. Не позволяйте использовать электроинструмент лицам, которые не ознакомлены с ним или не читали эти инструкции.** Электроинструменты представляют собой опасность в руках неопытных пользователей.
- ▶ **Бережно обращайтесь с электроинструментами и принадлежностями. Проверяйте безупречное функционирование подвижных частей, легкость их хода, целостность и отсутствие повреждений, которые могли бы отрицательно повлиять на работу электроинструмента. Сдавайте поврежденные части электроинструмента в ремонт до его использования.** Причиной многих несчастных случаев является несоблюдение правил технического обслуживания электроинструментов.
- ▶ **Необходимо следить за тем, чтобы режущие инструменты были острыми и чистыми.** Заклинивание содержащихся в надлежащем состоянии режущих инструментов происходит реже, ими легче управлять.
- ▶ **Применяйте электроинструмент, принадлежности (оснастку), рабочие инструменты и т. д. согласно данным указаниям. Учитывайте при этом рабочие условия и характер выполняемой работы.** Использование электроинструментов не по назначению может привести к опасным ситуациям.
- ▶ **Замасленные рукоятки и поверхности для хвата немедленно очищайте — они должны быть сухими и чистыми.** Скользкие рукоятки и поверхности для хвата не обеспечивают безопасное управление и контроль электроинструмента в непредвиденных ситуациях.



### Использование и обслуживание аккумуляторного инструмента

- ▶ **Заряжайте аккумуляторы только с помощью зарядных устройств, рекомендованных изготовителем.** При использовании зарядного устройства для зарядки несоответствующих ему типов аккумуляторов существует опасность возгорания.
- ▶ **Используйте только оригинальные аккумуляторы, рекомендованные специально для этого электроинструмента.** Использование других аккумуляторов может привести к травмам и опасности возгорания.
- ▶ **Неиспользуемые аккумуляторы храните вдали от скрепок, монет, ключей, гвоздей, шурупов или других мелких металлических предметов, которые могут стать причиной замыкания контактов.** Замыкание контактов аккумулятора может привести к ожогам или возгоранию.
- ▶ **При неверном обращении с аккумулятором из него может вытечь электролит. Избегайте контакта с ним. При случайном контакте смойте водой. При попадании электролита в глаза немедленно обратитесь за помощью к врачу.** Вытекший из аккумулятора электролит может привести к раздражению кожи или ожогам.
- ▶ **Не используйте поврежденный или измененный аккумулятор.** Поврежденные или измененные аккумуляторы могут функционировать непредсказуемо и стать причиной возгорания, взрыва или травмирования.
- ▶ **Не подвергайте аккумулятор воздействию огня или слишком высоких температур.** Огонь или температура свыше 130 °C могут спровоцировать взрыв аккумулятора.
- ▶ **Соблюдайте все указания по зарядке и никогда не заряжайте аккумулятор или аккумуляторный инструмент вне температурного диапазона, указанного в руководстве по эксплуатации.** Неправильная зарядка/зарядка вне указанного в руководстве по эксплуатации температурного диапазона могут привести к разрушению аккумулятора и повышают опасность возгорания.

### Сервис

- ▶ **Доверяйте ремонт своего электроинструмента только квалифицированному персоналу, использующему только оригинальные запчасти.** Этим обеспечивается поддержание электроинструмента в безопасном состоянии.
- ▶ **Категорически запрещается выполнять обслуживание поврежденных аккумуляторов.** Все технические работы с аккумуляторами должны выполняться только производителем или авторизованными сервисными мастерскими.

## 2.2 Указания по технике безопасности для пил с подвижным пильным полотном

- ▶ **При опасности повреждения рабочим инструментом скрытой электропроводки держите электроинструмент за изолированные поверхности.** При контакте с токопроводящей линией металлические части электроинструмента также находятся под напряжением, что может привести к поражению электрическим током.
- ▶ **Закрепляйте и фиксируйте заготовку с помощью струбцин или иным надежным способом на прочном основании.** Если удерживать заготовку только рукой или прижимать к туловищу, она остается подвижной, что может привести к потере контроля.

## 2.3 Дополнительные указания по технике безопасности

### Безопасность персонала

- ▶ Используйте электроинструмент только в технически исправном состоянии.
- ▶ Внесение изменений в конструкцию электроинструмента или его модификация категорически запрещаются.
- ▶ Следите за тем, чтобы рукоятки были сухими и чистыми.
- ▶ При работе с электроинструментом надевайте подходящие защитные очки, защитные наушники и защитные перчатки.
- ▶ При смене рабочего инструмента пользуйтесь защитными перчатками. Соблюдайте осторожность при замене рабочего инструмента — контакт с ним может привести к порезам и ожогам.
- ▶ Пользуйтесь защитными очками. Осколки материала могут травмировать тело и глаза.
- ▶ Запрещается прямой визуальный контакт со светодиодной подсветкой электроинструмента! Не светите в лицо другим людям — опасность временного ослепления!
- ▶ Перед началом работы выясните по материалу заготовки класс опасности возникающей пыли. Для работы с электроинструментом используйте строительный (промышленный) пылесос, степень защиты которого соответствует нормам пылезащиты, действующим в месте эксплуатации.
- ▶ Обеспечьте оптимальную вентиляцию рабочей зоны и при необходимости надевайте респиратор, который подходит для защиты от конкретного вида пыли. Вдыхание частиц такой пыли или контакт с ней может стать причиной появления аллергических реакций и/или заболеваний дыхательных



путей как у пользователя, так и находящихся вблизи лиц. Некоторые виды пыли (например, пыль, возникающая при обработке дуба или бука) считаются канцерогенными, особенно в комбинации с дополнительными материалами, используемыми для обработки древесины (соль хромовой кислоты, средства защиты древесины). К работам с асбестосодержащим материалом должны допускаться только специалисты.

- ▶ Чтобы во время работы руки не затекали, время от времени делайте упражнения для расслабления и разминки пальцев. При длительной работе возникающие вибрации могут привести к нарушениям кровоснабжения сосудов или в нервных окончаниях пальцев/кистей рук или в запястьях.

#### **Электрическая безопасность**

- ▶ Перед началом работы проверяйте рабочее место на наличие скрытой электропроводки, газо- и водопроводных труб. Открытые металлические части электроинструмента могут стать проводниками электрического тока, если случайно задеть электропроводку.

#### **Бережное обращение с электроинструментами и их правильная эксплуатация**

- ▶ Надежно фиксируйте заготовку. Зажатая с помощью струбцин или тисков заготовка удерживается надежнее, чем рукой.

#### **Специальные указания по технике безопасности при работе с лобзиками**

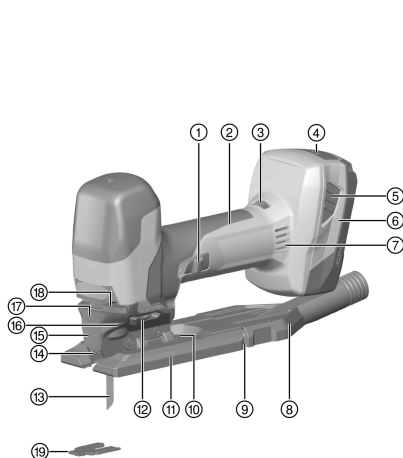
- ▶ При пилении ведите электроинструмент только от себя.
- ▶ Во время работы держите руки на безопасном расстоянии от пильного полотна; не держите их перед пильным полотном.
- ▶ При пилении никогда не погружайте полотно в непроверенные основания и полости. Убедитесь в отсутствии помех над заготовкой и под ней по всей длине пропила.
- ▶ При пилении не держите заготовку снизу.

### **2.4 Аккуратное обращение с аккумуляторами и их правильное использование**

- ▶ Соблюдайте специальные предписания по транспортировке, хранению и эксплуатации литий-ионных аккумуляторов.
- ▶ Храните аккумуляторы на безопасном расстоянии от источников высокой температуры/огня и не подвергайте их прямому воздействию солнечного излучения.
- ▶ Запрещается разбирать, сдавливать, нагревать до температуры свыше 80 °C или сжигать аккумуляторы.
- ▶ Не используйте или не заряжайте аккумуляторы, которые подвергались ударам, падали с высоты более одного метра или получали какие-либо иные повреждения. При возникновении такой ситуации всегда обращайтесь в ближайший **сервисный центр Hilti**.
- ▶ Слишком сильный нагрев аккумулятора (такой, что до него невозможно дотронуться) указывает на его возможный дефект. Разместите аккумулятор на безопасном расстоянии от воспламеняющихся материалов в хорошо просматриваемом и пожаробезопасном месте. Дайте остыть аккумулятору. Если по истечении одного часа аккумулятор все еще остается таким горячим, что его нельзя взять в руки, это означает, что он неисправен. Свяжитесь с сервисной службой **Hilti**.



#### 3.1 Обзор изделия



- ① Выключатель
- ② Рукоятка
- ③ Регулятор частоты ходов
- ④ Индикатор уровня заряда аккумулятора
- ⑤ Кнопка (де)блокировки аккумулятора
- ⑥ Аккумулятор
- ⑦ Вентиляционные прорези
- ⑧ Адаптер системы пылеудаления
- ⑨ Крючок фиксации
- ⑩ Шкала для установки угла реза
- ⑪ Опорная пластина
- ⑫ Рычаг регулировки маятниково-го движения
- ⑬ Пильное полотно
- ⑭ Защита от контакта
- ⑮ Кожух
- ⑯ Зажимной патрон
- ⑰ Светодиодная подсветка
- ⑱ Рычаг разблокировки полотна
- ⑲ Противоскользящая защита

#### 3.2 Использование по назначению

Данный электроинструмент представляет собой ручной аккумуляторный маятниковый лобзик, которая предназначен для резки пластмассы, древесины и металла, а также гипсокартонных и волокнистых плит.

Лобзик оснащен съемным соединительным штуцером для подключения доступного в виде опции пылесоса. Подключение предназначено для стандартных всасывающих шлангов. Для подсоединения всасывающего шланга (пылесоса) к лобзику может потребоваться подходящий переходник.

- ▶ Для этого электроинструмента используйте только литий-ионные аккумуляторы фирмы **Hilti** серии В 22.
- ▶ Для зарядки этих аккумуляторов используйте только зарядные устройства **Hilti** серии С4/36.
- ▶ Используйте для этого электроинструмента только пильные полотна с Т-образным (одноулачковым) хвостовиком.

#### 3.3 Возможное использование не по назначению

- Данный электроинструмент не предназначен для спиливания веток и стволов деревьев.
- Данный электроинструмент запрещается использовать для обработки опасных для здоровья материалов.
- Данный электроинструмент запрещается использовать во влажной среде.

#### 3.4 Индикатор уровня заряда

Уровень заряда литий-ионного аккумулятора отображается после легкого нажатия кнопок/кнопки деблокировки (до ощутимого сопротивления).

Состояние	Значение
Горят четыре светодиода.	Уровень заряда: от 75 % до 100 %
Горят три светодиода.	Уровень заряда: от 50 % до 75 %



Состояние	Значение
Горят два светодиода.	Уровень заряда: от 25 % до 50 %
Горит один светодиод.	Уровень заряда: от 10 % до 25 %
Мигает один светодиод.	Уровень заряда: < 10 %



При нажатом выключателе и в течение макс. 5 с после его отпущения запрос уровня заряда невозможен. При мигании светодиодов индикатора уровня заряда аккумулятора следуйте указаниям из главы «Поиск и устранение неисправностей».

### 3.5 Устройство сдува опилок

Устройство сдува опилок направляет на пыльное полотно струю воздуха, которая сдувает опилки с линии пропила.

### 3.6 Частота ходов

Частоту ходов можно отрегулировать с помощью регулятора (колесика). Позиция «1» соответствует 800 ходам в минуту, позиция «6» — 3000 ходам в минуту.

### 3.7 4-ступенчатая регулировка маятникового движения

Глубина и качество реза устанавливаются в зависимости от обрабатываемого материала посредством 4-ступенчатой регулировки маятникового движения. Переключение между 4 ступенями выполняется с помощью рычага.

Чем меньше ступень маятникового движения, тем более чистой и гладкой будет кромка реза. Оптимальная ступень определяется путем пробных резов.

Состояние	Значение
Ступень 0	Без маятникового движения
Ступень 1	Небольшое маятниковое движение
Ступень 2	Среднее маятниковое движение
Ступень 3	Большое маятниковое движение

### 3.8 Противоскользящая защита

Электроинструмент может оснащаться противоскользящей защитой, которая предотвращает вырывание верхних слоев древесины при пилении деревянных заготовок.

### 3.9 Автоматическое выключение электроинструмента

В случае непрерывного нажатия выключателя более 15 мин (например, при транспортировке или хранении) происходит автоматическое выключение электроинструмента. Это позволяет избежать глубокого разряда аккумулятора.

### 3.10 Комплект поставки

Маятниковый электролобзик с пыльным полотном, кожух, адаптер системы пылеудаления, противоскользящая защита, руководство по эксплуатации, ключ-шестигранник.

Другие системные принадлежности, допущенные для использования с вашим изделием, спрашивайте в сервисном центре **Hilti** или смотрите на сайте **www.hilti.com**

## 4 Технические данные

### 4.1 Маятниковый электролобзик

	SJT 6-A22
Номинальное напряжение	21,6 В
Масса по EPTA Procedure 01 с аккумулятором B22/8.0	3,2 кг
Длина хода	28 мм



	<b>SJT 6-A22</b>
Частота ходов в холостом режиме ( $n_0$ )	800 об/мин ... 3 000 об/мин
Макс. глубина реза в древесине	150 мм
Макс. глубина реза в алюминии	25 мм
Макс. глубина реза в нелегированной стали	10 мм
Угол пропила (слева/справа)	0° ... 45°
Наружный диаметр адаптера системы пылеудаления	27,5 мм
Температура хранения	-20 °C ... 70 °C
Температура окружающей среды при эксплуатации	-17 °C ... 60 °C
Температура аккумулятора в начале зарядки	-10 °C ... 45 °C
Температура хранения	-20 °C ... 40 °C
Температура окружающей среды при эксплуатации	-17 °C ... 60 °C

#### 4.2 Данные по шуму и вибрациям согласно EN 62841

Приводимые здесь значения уровня звукового давления и вибрации были измерены согласно стандартизированной процедуре измерения и могут использоваться для сравнения электроинструментов между собой. Они также подходят для предварительной оценки вредных воздействий.

Указанные данные применимы к основным областям применения электроинструмента. Однако, если электроинструмент используется для других целей, с другими рабочими (сменными) инструментами или в случае его неудовлетворительного технического обслуживания, данные могут быть иными. Вследствие этого в течение всего периода работы электроинструмента возможно значительное увеличение вредных воздействий.

Для точного определения вредных воздействий следует также учитывать промежутки времени, в течение которых электроинструмент находится в выключенном состоянии или работает вхолостую. Вследствие этого в течение всего периода работы электроинструмента возможно заметное уменьшение вредных воздействий.

Примите дополнительные меры безопасности для защиты пользователя от воздействия возникающего шума и/или вибраций, например: техническое обслуживание электроинструмента и рабочих (сменных) инструментов, сохранение тепла рук, правильная организация рабочих процессов.

#### Значения уровня шума

	<b>SJT 6-A22</b>
Уровень звуковой мощности ( $L_{WA}$ )	100 дБ(A)
Погрешность уровня звуковой мощности ( $K_{WA}$ )	5 дБ(A)
Уровень звукового давления ( $L_{pA}$ )	89 дБ(A)
Погрешность уровня звукового давления ( $K_{pA}$ )	5 дБ(A)

#### Общие значения вибрации

	<b>SJT 6-A22</b>
Значение вибрации при пилении деревянных плит ( $a_{h,v}$ )	5,0 м/с <sup>2</sup>
Погрешность при резке ДСП (K)	1,5 м/с <sup>2</sup>
Значение вибрации при резке металлических листов ( $a_{h,m}$ )	7,9 м/с <sup>2</sup>
Погрешность при резке металлических листов (K)	1,5 м/с <sup>2</sup>

## 5 Аккумулятор

Рабочее напряжение аккумулятора	21,6 В
Температура окружающей среды при эксплуатации	-17 °C ... 60 °C
Температура хранения	-20 °C ... 40 °C
Температура аккумулятора в начале зарядки	-10 °C ... 45 °C



## 6 Подготовка к работе

### ПРЕДУПРЕЖДЕНИЕ

#### Опасность травмирования вследствие непреднамеренного пуска!

- ▶ Перед установкой аккумулятора убедитесь в том, что соответствующий электроинструмент выключен.
- ▶ Прежде чем приступить к регулировке электроинструмента или замене принадлежностей выньте аккумулятор из электроинструмента.

Соблюдайте указания по технике безопасности и предупреждающие указания, приводимые в данном документе и на изделии.

### 6.1 Зарядка аккумулятора

1. Перед зарядкой изучите руководство по эксплуатации зарядного устройства.
2. Убедитесь в том, что контакты аккумулятора и зарядного устройства чистые и сухие.
3. Заряжайте аккумулятор только в допущенном к эксплуатации зарядном устройстве. → страница 54

### 6.2 Установка аккумулятора

#### ПРЕДУПРЕЖДЕНИЕ

#### Опасность травмирования вследствие короткого замыкания или падения аккумулятора!

- ▶ Перед установкой аккумулятора убедитесь в чистоте его контактов и контактов электроинструмента.
- ▶ Всегда проверяйте, правильно ли зафиксирован аккумулятор.

1. Перед первым вводом в эксплуатацию полностью зарядите аккумулятор.
2. Прижмите аккумулятор так, чтобы он зафиксировался в аккумуляторном отсеке с характерным щелчком.
3. Проверьте надежность фиксации аккумулятора.

### 6.3 Извлечение аккумулятора

1. Нажмите кнопки (де)блокировки аккумулятора.
2. Извлеките аккумулятор из электроинструмента.

### 6.4 Установка пыльного полотна

1. Извлеките аккумулятор.
2. Вставьте пыльное полотно (зубьями по направлению реза) в зажимной патрон (до характерного щелчка).
3. Потяните за полотно, чтобы убедиться, что оно надежно зафиксировалось.

### 6.5 Установка кожуха

1. Извлеките аккумулятор.
2. Насадите кожух на переднюю часть электроинструмента так, чтобы он зафиксировался.



Установить кожух можно только в том случае, если опорная плита находится в стандартном положении (положение 0°).

### 6.6 Монтаж адаптера системы пылеудаления


1. Надвиньте адаптер системы пылеудаления сзади горизонтально в опорную пластину до фиксации обоих крючков фиксации сбоку.
2. Подсоедините шланг пылесоса к адаптеру.

## 7 Управление

Соблюдайте указания по технике безопасности и предупреждающие указания, приводимые в данном документе и на изделии.




## 7.1 Использование системы пылеудаления

 Система пылеудаления удаляет пыль с линии пропила и тем самым повышает безопасность работы, а также снижает пылевую нагрузку на рабочем месте.

1. Установите кожух. → страница 57
2. При продолжительной обработке заготовок из древесины или других материалов, образующих большое количество пыли, всегда используйте систему пылеудаления.

## 7.2 Включение

1. Вставьте аккумулятор.

 Благодаря защитной функции предотвращается запуск электроинструмента, если он сначала включается, а затем в соответствующее крепление вставляется аккумулятор.  
Сначала сдвиньте выключатель назад, затем снова вперед.

2. Для включения электроинструмента сдвиньте выключатель вперед.

## 7.3 Врезное пиление

1. Установите рычаг регулировки маятникового движения в положение «0».
2. Установите электроинструмент передней кромкой опорной пластины на заготовку.
3. Удерживая электроинструмент, нажмите выключатель.
4. Плотно прижмите электроинструмент к заготовке и, уменьшая угол наклона, погружайте полотно в материал.
5. После прорезания заготовки установите электроинструмент в нормальное рабочее положение.
  - ▶ Опорная пластина прилегает всей поверхностью.
6. Продолжайте пилить по линии пропила.

## 7.4 Выключение

- ▶ Для выключения электроинструмента сдвиньте выключатель назад.

## 8 Демонтаж

### 8.1 Демонтаж адаптера системы пылеудаления

1. Прижмите оба крючка фиксации внутрь.
2. Отсоедините адаптер системы пылеудаления от опорной пластины движением назад.
3. Отсоедините шланг пылесоса от адаптера.

### 8.2 Снятия кожуха

1. Извлеките аккумулятор.
2. Слегка наклоните кожух и снимите его движением вперед.

### 8.3 Выталкивание пыльного полотна

#### ПРЕДУПРЕЖДЕНИЕ

**Опасность травмирования!** Неконтролируемое выталкивание пыльного полотна может привести к травмам.

- ▶ При выталкивании полотна держите электроинструмент таким образом, чтобы выталкиваемое полотно случайно не травмировало находящихся рядом людей и животных.

1. Извлеките аккумулятор.
2. Сдвиньте рычаг разблокировки пыльного полотна в сторону до упора.
  - ▶ Пыльное полотно будет расфиксировано и вытолкнуто.





## 9 Уход и техническое обслуживание

### ПРЕДУПРЕЖДЕНИЕ

**Опасность травмирования при установленном аккумуляторе !**

- ▶ Перед проведением любых работ по уходу и обслуживанию всегда извлекайте аккумулятор!

#### Уход за электроинструментом

- Удаляйте налипшую грязь с осторожностью.
- Осторожно очищайте вентиляционные прорези (при наличии) сухой мягкой щеткой.
- Очищайте корпус только слегка увлажненной тканью. Не используйте средства по уходу с содержанием силикона, поскольку они могут повредить пластиковые детали.
- Для очистки контактов электроинструмента используйте чистую сухую тряпку.

#### Уход за литий-ионными аккумуляторами

- Категорически запрещается использовать аккумулятор с забитыми вентиляционными прорезями. Осторожно очистите вентиляционные прорези сухой мягкой щеткой.
- Не допускайте чрезмерного запыления или загрязнения аккумулятора. Категорически запрещается подвергать аккумулятор чрезмерному воздействию влаги (например, опускать его в воду или оставлять под дождем).

Если аккумулятор промокнет, обращайтесь с ним, как с поврежденным. Поместите его в контейнер из негорючего материала и обратитесь в сервисную службу **Hilti**.

- Аккумулятор должен быть чистым, без следов масла и смазки. Не допускайте чрезмерного скопления пыли или грязи на аккумуляторе. Очищайте аккумулятор сухой мягкой кистью или чистой и сухой тряпкой. Не используйте средства по уходу с содержанием силикона, поскольку они могут повредить пластиковые детали.
- Не прикасайтесь к контактам аккумулятора и не удаляйте с них смазку, нанесенную на заводе.
- Очищайте корпус только слегка увлажненной тканью. Не используйте средства по уходу с содержанием силикона, поскольку они могут повредить пластиковые детали.

#### Техническое обслуживание

- Регулярно проверяйте все видимые части электроинструмента на отсутствие повреждений, а элементы управления — на исправное функционирование.
- При повреждениях и/или функциональных сбоях не используйте электроинструмент. Немедленно сдайте его для ремонта в сервисный центр **Hilti**.
- После ухода за электроинструментом и его технического обслуживания установите все защитные приспособления на место и проверьте их исправное функционирование.



Для обеспечения безопасной эксплуатации используйте только оригинальные запасные части и расходные материалы. Допущенные **Hilti** запасные части, расходные материалы и принадлежности для этого электроинструмента вы можете найти в **Hilti Store** или на: [www.hilti.group](http://www.hilti.group)

### 9.1 Очистка адаптера системы пылеудаления

1. Извлеките аккумулятор.
2. Демонтируйте адаптер системы пылеудаления. → страница 58
3. Очистите адаптер системы пылеудаления.
4. Проверьте, не повреждены ли крючки фиксации.
5. Смонтируйте адаптер системы пылеудаления. → страница 57

### 9.2 Очистка пыльных полотен

1. Регулярно удаляйте налипания смолы с используемых пыльных полотен.
2. Положите пыльные полотна на сутки в керосин или обычное средство для обессмоливания.

## 10 Транспортировка и хранение аккумуляторных инструментов и аккумуляторов

### Транспортировка

#### ОСТОРОЖНО

**Непреднамеренное включение в ходе транспортировки !**

- ▶ При транспортировке своих электроинструментов всегда отсоединяйте от них аккумуляторы!



- ▶ Извлеките аккумулятор(ы).
- ▶ Категорически запрещается транспортировать аккумуляторы без упаковки (бестарным способом). Во время транспортировки необходимо принять меры по защите аккумуляторов от сильных ударов и вибраций и изолировать их от любых токопроводящих материалов или других аккумуляторов, чтобы не допустить их контакта с клеммами других аккумуляторов и, как следствие этого, короткого замыкания. **Соблюдайте действующие предписания по транспортировке аккумуляторов.**
- ▶ Запрещается пересылать аккумуляторы по почте. Обратитесь в транспортно-экспедиционную компанию, если вы хотите переслать поврежденные аккумуляторы.
- ▶ Перед каждым использованием, а также перед длительной транспортировкой и после нее проверьте электроинструмент и аккумуляторы на отсутствие повреждений.

## Хранение



### ПРЕДУПРЕЖДЕНИЕ

#### Непреднамеренное повреждение вследствие неисправных или протекающих аккумуляторов !

- ▶ При хранении своих электроинструментов всегда отсоединяйте от них аккумуляторы!
- ▶ По возможности храните фонарь и аккумуляторы в сухом и прохладном месте. Соблюдайте ограничения по температуре, приводимые в технических характеристиках.
- ▶ Не храните аккумуляторы на зарядном устройстве. После зарядки всегда извлекайте аккумулятор из зарядного устройства.
- ▶ Никогда не оставляйте аккумуляторы на солнце, на нагревательных/отопительных элементах или за стеклом.
- ▶ Храните фонарь и аккумуляторы в недоступном для детей и посторонних лиц месте.
- ▶ Перед каждым использованием, а также перед длительным хранением и после него проверяйте электроинструмент и аккумуляторы на отсутствие повреждений.

## 11 Помощь при неисправностях

В случае неисправностей, которые не указаны в этой таблице или которые вы не можете устранить самостоятельно, обращайтесь в ближайший сервисный центр **Hilti**.

Неисправность	Возможная причина	Решение
Пильное полотно выпадает.	Пильное полотно не закреплено должным образом.	<ul style="list-style-type: none"> <li>▶ Еще раз зажмите полотно.</li> <li>▶ При этом обратите внимание на то, чтобы зажимное устройство было полностью открыто, а пильное полотно вставлялось с преодолением сопротивления.</li> </ul>
	Загрязнена система зажима.	<ul style="list-style-type: none"> <li>▶ Очистите зажимное устройство.</li> </ul>
Пильное полотно не вставляется.	Загрязнена система зажима.	<ul style="list-style-type: none"> <li>▶ Очистите зажимное устройство.</li> </ul>
Не регулируется величина маятникового хода.	Паз рычага регулировки маятникового движения загрязнен.	<ul style="list-style-type: none"> <li>▶ Очистите от грязи паз рычага регулировки маятникового движения.</li> </ul>
Маятниковый режим не работает.	Маятниковый механизм загрязнен.	<ul style="list-style-type: none"> <li>▶ Проверьте и при необходимости прочистите маятниковую вилку.</li> </ul>
	Рычаг регулировки маятникового движения находится в положении «0».	<ul style="list-style-type: none"> <li>▶ Установите рычаг на нужную ступень.</li> </ul>
Аккумулятор разряжается быстрее, чем обычно.	Очень низкая температура внешней среды.	<ul style="list-style-type: none"> <li>▶ Обеспечьте постепенный нагрев аккумулятора до комнатной температуры.</li> </ul>
При установке аккумулятора не слышно характерного щелчка.	Грязь на фиксирующих выступах аккумулятора.	<ul style="list-style-type: none"> <li>▶ Очистите фиксирующие выступы и установите аккумулятор повторно.</li> </ul>



Неисправность	Возможная причина	Решение
Мигает один светодиод. Электроинструмент не функционирует.	Аккумулятор разряжен.	► Замените аккумулятор и зарядите разряженный аккумулятор.
	Аккумулятор слишком холодный или слишком горячий	► Обеспечьте постепенный нагрев или постепенное охлаждение аккумулятора до комнатной температуры.
Мигают все четыре светодиода. Электроинструмент не функционирует.	Электроинструмент перегружен.	► Отпустите выключатель и нажмите его снова. Дайте поработать электроинструменту в течение примерно 30 с на холостом ходу.
Сильный нагрев (внутри) электроинструмента или аккумулятора.	Электрическая неисправность	► Немедленно выключите электроинструмент, извлеките аккумулятор и наблюдайте за ним, дайте ему остыть и свяжитесь с сервисной службой <b>Hilti</b> .

## 12 Утилизация



### ПРЕДУПРЕЖДЕНИЕ

**Опасность травмирования вследствие неправильной утилизации!** Опасность для здоровья вследствие выхода газов или жидкостей.

- Не пересылайте поврежденные аккумуляторы!
- Закрывайте аккумуляторные контакты не проводящим ток материалом, чтобы избежать коротких замыканий.
- Утилизируйте аккумуляторы так, чтобы исключить их попадание в руки детей.
- Утилизируйте аккумулятор через ближайший **Hilti Store** или обратитесь в специализированную фирму по утилизации.

Большинство материалов, из которых изготовлены устройства **Hilti**, подлежат вторичной переработке. Перед утилизацией следует тщательно рассортировать материалы (для удобства их последующей переработки). Во многих странах фирма **Hilti** уже организовала прием бывших в использовании электрических и электронных устройств (инструментов, приборов) для утилизации. Дополнительную информацию по этому вопросу можно получить в отделе по обслуживанию клиентов или у консультантов по продажам фирмы **Hilti**.



- Не выбрасывайте электрические инструменты, электронные устройства/приборы и аккумуляторы вместе с обычным мусором!

## 13 RoHS (Директива об ограничении применения опасных веществ)

По этим ссылкам доступна таблица опасных веществ: [qr.hilti.com/r5212958](http://qr.hilti.com/r5212958)

Ссылку в виде QR-кода на таблицу опасных веществ согласно директиве RoHS см. в конце настоящего документа.

## 14 Гарантия производителя

- С вопросами по поводу гарантийных условий обращайтесь в ближайшее представительство **Hilti**.



# Оригінальна інструкція з експлуатації

## 1 Інформація щодо інструкції з експлуатації

### 1.1 Про цю інструкцію з експлуатації

- Перш ніж розпочинати роботу з інструментом, прочитайте цю інструкцію з експлуатації. Це є передумовою безпечної роботи та відсутності несправностей під час застосування інструмента.
- Дотримуйтеся попереджувальних вказівок та вказівок з техніки безпеки, наведених у цій інструкції з експлуатації та на корпусі інструмента.
- Завжди зберігайте інструкцію з експлуатації поблизу виробу та передавайте його іншим особам тільки разом із цією інструкцією з експлуатації.

### 1.2 Пояснення символів

#### 1.2.1 Попереджувальні вказівки

Попереджувальні вказівки інформують користувача про фактори небезпеки, пов'язані із застосуванням інструмента. Використовуються такі сигнальні слова:

#### НЕБЕЗПЕКА

##### НЕБЕЗПЕКА !

- ▶ Указує на безпосередню небезпеку, що може призвести до отримання тяжких тілесних ушкоджень або навіть до смерті.

#### ПОПЕРЕДЖЕННЯ

##### ПОПЕРЕДЖЕННЯ !

- ▶ Указує на потенційно небезпечну ситуацію, яка може призвести до отримання тяжких тілесних ушкоджень або навіть смерті.





#### ОБЕРЕЖНО

##### ОБЕРЕЖНО !

- ▶ Указує на потенційно небезпечну ситуацію, яка може призвести до отримання тілесних ушкоджень або до матеріальних збитків.


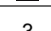
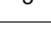

#### 1.2.2 Символи у документі

У цьому документі використовуються такі символи:

	Перед використанням прочитайте інструкцію з експлуатації
	Вказівки щодо експлуатації та інша корисна інформація
	Поводження з матеріалами, придатними для вторинної переробки
	Не викидайте електроінструменти і акумуляторні батареї у баки для побутового сміття

#### 1.2.3 Символи на ілюстраціях

На ілюстраціях використовуються такі символи:

	Цифрами позначаються відповідні ілюстрації, наведені на початку цієї інструкції
	Нумерація відображає послідовність робочих кроків на ілюстраціях та може відрізнитися від нумерації у тексті
	Номера позицій, наведені на <b>оглядовій ілюстрації</b> , відповідають номерам у легенді, що представлена у розділі « <b>Огляд продукту</b> »
	Цей символ позначає аспекти, на які слід звернути особливу увагу під час застосування інструмента.



### 1.3 Символи, що обумовлені типом інструмента

#### 1.3.1 Символи на інструменті

На інструменті можуть бути наведені такі символи:

	Кількість робочих ходів у холостому режимі
	Постійний струм
	Інструмент підтримує бездротову передачу даних та є сумісним із платформами iOS та Android.
	Літій-іонна акумуляторна батарея
	Використовуваний тип літій-іонної акумуляторної батареї <b>Hilti</b> . Дотримуйтеся вказівок, наведених у розділі « <b>Використання за призначенням</b> ».
	Ніколи не використовуйте акумуляторну батарею у якості ударного інструмента.
	Не допускайте падіння акумуляторної батареї. Не використовуйте акумуляторну батарею, яка зазнала ударного навантаження або була пошкоджена іншим чином.

### 1.4 Інформація про інструмент

Інструменти призначені для професійного використання, а тому їхню експлуатацію, технічне обслуговування та ремонт слід доручати лише авторизованому персоналу зі спеціальною підготовкою. Цей персонал повинен бути спеціально проінструктований про можливі ризики. Описаний у цьому документі інструмент та допоміжне приладдя можуть стати джерелом небезпеки у разі їхнього неправильного застосування некваліфікованим персоналом або у разі використання не за призначенням.

Тип та серійний номер зазначені на заводській табличці.

- ▶ Перепишіть серійний номер у наведену нижче таблицю. Якщо у Вас виникли питання відносно інструмента, завжди посилайтеся на ці дані, звертаючись до нашого представництва та до сервісної служби.

#### Інформація про інструмент

Лобзик із маятниковим ходом	SJT 6-A22
Версія	01
Серійний номер	

### 1.5 Сертифікат відповідності

Зі всією належною відповідальністю заявляємо, що описаний у цьому документі інструмент відповідає діючим директивам і стандартам. Копія сертифіката відповідності наведена у кінці цього документа.

Технічна документація зазначена нижче:

Hilti Entwicklungsgesellschaft mbH | Zulassung Geräte | Hiltistraße 6 | 86916 Kaufering, DE

## 2 Безпека

### 2.1 Загальні вказівки з техніки безпеки при роботі з електроінструментами

**⚠ ПОПЕРЕДЖЕННЯ! Уважно прочитайте усі вказівки та інструкції з техніки безпеки, ознайомтеся з малюнками та технічними даними цього електроінструмента.** Щонайменше недотримання наведених нижче вказівок може призвести до ураження електричним струмом, займання та/або отримання тяжких травм.

**Збережіть всі інструкції та вказівки з техніки безпеки – вони можуть знадобитися Вам у майбутньому.**

Термін «електроінструмент», який використовується у вказівках з техніки безпеки, позначає як електроінструменти, що працюють від електричної мережі (із кабелем живлення), так і електроінструменти, що працюють від акумуляторної батареї (без кабелю живлення).

#### Безпека на робочому місці

- ▶ **Дбайте про чистоту та достатнє освітлення робочого місця.** Безлад на робочому місці та недостатнє освітлення можуть стати причиною нещасних випадків.



- ▶ **Не працюйте з електроінструментом у вибухонебезпечному середовищі, що містить легкозаймисті рідини, гази або пил.** Під час роботи електроінструментів утворюються іскри, від яких можуть зайнятися легкозаймисті випари або пил.
- ▶ **Подбайте про те, щоб під час використання електроінструмента поблизу не було дітей та сторонніх осіб.** Щонайменше відволікання може призвести до втрати контролю над інструментом.

#### **Електрична безпека**

- ▶ **Штепсельна вилка електроінструмента повинна підходити до розетки живлення.** Забороняється вносити зміни до конструкції штепсельної вилки. **Не дозволяється застосовувати перерізані штепсельні вилки в електроінструментах із захисним заземленням.** У разі використання оригінальних штепсельних вилок і відповідних розеток знижується ризик ураження електричним струмом.
- ▶ **Під час роботи намагайтеся не торкатися заземлених поверхонь, наприклад труб, радіаторів опалення, печей та холодильників.** Якщо Ваше тіло перебуває в контакт з системою заземлення, існує підвищений ризик ураження електричним струмом.
- ▶ **Захищайте електроінструменти від дощу та вологи.** У разі проникнення води в електроінструмент підвищується ризик ураження електричним струмом.
- ▶ **Використовуйте з'єднувальний кабель тільки за призначенням, не переносьте за нього електроінструмент, не користуйтеся ним для підвішування інструмента та не тримайтеся за нього, дістаючи штепсельну вилку з розетки.** Оберігайте з'єднувальний кабель від впливу високих температур, від дії мастил та контакту з гострими кромками або рухливими частинами інструмента. Пошкоджені або заплутані з'єднувальні кабелі підвищують ризик ураження електричним струмом.
- ▶ **Працюючи з електроінструментом під відкритим небом, використовуйте лише подовжувальний кабель, придатний для зовнішнього застосування.** Використання подовжувального кабелю, призначеного для зовнішнього застосування, зменшує ризик ураження електричним струмом.
- ▶ **Якщо неможливо уникнути експлуатації електроінструмента за умов підвищеної вологості, використовуйте автомат захисту від струму витоку.** Використання автомата захисту від струму витоку зменшує ризик ураження електричним струмом.

#### **Безпека персоналу**

- ▶ **Будьте уважними, зосередьтеся на виконуваній операції, до роботи з електроінструментом ставтеся серйозно.** Не користуйтеся електроінструментом, якщо Ви втомлені або перебуваєте під дією наркотичних речовин, алкоголю або лікарських засобів. Під час роботи з електроінструментом не відволікайтеся ні на мить, оскільки це може призвести до отримання серйозних травм.
- ▶ **Використовуйте засоби індивідуального захисту і завжди надягайте захисні окуляри.** Використання засобів індивідуального захисту, наприклад респіратор, захисного взуття на нековзній підшві, захисного шолома або шумозахисних навушників – залежно від різновиду електроінструмента та особливостей його застосування – зменшує ризик травмування.
- ▶ **Уникайте випадкового вмикання електроінструмента.** Переконайтеся в тому, що електроінструмент вимкнений, перш ніж вставляти штепсельну вилку в розетку живлення та/або приєднувати акумулятор, піднімати електроінструмент або переносити його. Якщо під час перенесення електроінструмента тримати палець на вимикачі або приєднувати інструмент до джерела живлення увімкненим, це може призвести до нещасного випадку.
- ▶ **Перш ніж вмикати електроінструмент, від'єднайте від нього все налагоджувальне приладдя або гайкові ключі.** Приладдя або ключ, що знаходяться в обертovому вузлі інструмента, можуть стати причиною отримання травм.
- ▶ **Уникайте виконання роботи в незручній позі.** Під час виконання робіт ставайте в стійку позу і намагайтеся повсякчас утримувати рівновагу. Це дозволить Вам більш упевнено контролювати електроінструмент у разі виникнення несподіваних обставин.
- ▶ **Надягайте відповідний робочий одяг.** Не надягайте для роботи занадто просторий одяг та прикраси. Слідкуйте за тим, щоб волосся, одяг та робочі рукавиці знаходилися подальше від обертovих частин інструмента. Просторий одяг, прикраси або довге волосся можуть бути захоплені рухливими частинами інструмента.
- ▶ **Якщо передбачена можливість установалення системи пиловидалення та пилозбірників, обов'язково переконайтеся в тому, що вони правильно приєднані й використовуються належним чином.** Застосування системи видалення пилу дозволяє зменшити негативний вплив пилу на персонал.
- ▶ **Не можна нехтувати правилами безпеки під час роботи з електроінструментами навіть у тому випадку, коли Ви добре знайомі з тим чи іншим електроінструментом.** Якщо користуватися інструментом необережно, лише малої частки секунди може бути достатньо для отримання тяжких травм.



### Використання електроінструмента та належний догляд за ним

- ▶ **Не допускайте перенавантаження інструмента.** Завжди використовуйте електроінструмент, призначений для виконання відповідної роботи. При використанні належного електроінструмента забезпечуються більш висока якість та безпека виконання робіт у вказаному діапазоні продуктивності.
- ▶ **Не використовуйте електроінструмент із пошкодженим вимикачем.** Електроінструмент, який неможливо вмикати або вимикати, є небезпечним і підлягає ремонту.
- ▶ **Перш ніж розпочинати налаштування інструмента, виконувати заміну приладдя або робити перерву в роботі, не забудьте вийняти штепсельну вилку з розетки та/або вийняти з інструмента змінну акумуляторну батарею.** Такий запобіжний захід допоможе уникнути випадкового вмикання електроінструмента.
- ▶ **Електроінструменти, що не використовуються, зберігайте в недоступному для дітей місці. Не дозволяйте користуватися інструментом особам, які не ознайомлені з ним або не прочитали ці вказівки.** У руках недосвідчених людей електроінструменти являють собою серйозну небезпеку.
- ▶ **Електроінструменти та їх приладдя потребують дбайливого догляду. Ретельно перевіряйте, чи бездоганно працюють та чи не заклинюють рухомі частини, чи не зламалися або не зазнали інших пошкоджень деталі, від яких залежить справна робота електроінструмента. Перед початком роботи з інструментом пошкоджені деталі слід відремонтувати.** Багатьох нещасних випадків можна уникнути за умови належного технічного обслуговування електроінструментів.
- ▶ **Слідкуйте за тим, щоб ріжучі інструменти завжди залишалися чистими та належним чином заточеними.** Дбайливо доглянутий ріжучий інструмент із гострими різальними кромками не так часто заклинюється, і з ним легше працювати.
- ▶ **Під час експлуатації електроінструмента, приладдя до нього, робочих інструментів тощо дотримуйтеся наведених у цьому документі вказівок. При цьому завжди враховуйте умови в місці виконання робіт та дії, яких вимагає поставлене завдання.** Використання електроінструментів не за призначенням може призвести до виникнення небезпечних ситуацій.
- ▶ **Слідкуйте за тим, щоб поверхні рукояток були чистими та сухими, та не допускайте їхнього забруднення мастилом.** Якщо поверхні рукояток слизькі, це унеможливілює впевнене контролювання електроінструмента у непередбачених ситуаціях.

### Використання акумуляторного інструмента та належний догляд за ним

- ▶ **Для заряджання акумуляторних батарей застосовуйте лише зарядні пристрої, рекомендовані виробником.** Зарядний пристрій, придатний для заряджання акумуляторних батарей певного типу, може спричинити пожежу, якщо його застосовувати для заряджання акумуляторних батарей інших типів.
- ▶ **Для живлення електроінструментів застосовуйте лише спеціально призначені для цього акумуляторні батареї.** Застосування інших акумуляторних батарей може призвести до отримання травм і виникнення пожежі.
- ▶ **Акумуляторну батарею, яка не використовується, тримайте подалі від канцелярських скріпок, монет, ключів, цвяхів, гвинтів та інших дрібних металевих предметів, які могли б спричинити коротке замикання її контактів.** Коротке замикання контактів акумуляторної батареї може призвести до отримання опіків або до виникнення пожежі.
- ▶ **У разі неправильного застосування з акумуляторної батареї може пролитися рідина. Уникайте контакту з нею. У разі випадкового контакту цієї рідини зі шкірою негайно промийте уражене місце достатньою кількістю води. Якщо рідина потрапила в очі, рекомендується додатково звернутися по лікарську допомогу.** Пролита з акумуляторної батареї рідина може призвести до подразнення шкіри або отримання опіків.
- ▶ **Не використовуйте акумуляторну батарею, якщо вона пошкоджена або якщо її конструкція була змінена.** Пошкоджені або модифіковані акумуляторні батареї вкрай ненадійні та становлять небезпеку пожежі, вибуху або травмування.
- ▶ **Не піддавайте акумуляторну батарею впливу вогню або високих температур.** Вогонь або температури понад 130 °C (265 °F) можуть спричинити вибух.
- ▶ **Дотримуйтеся вказівок щодо заряджання. Ніколи не заряджайте акумуляторну батарею або акумуляторний інструмент в умовах, що виходять за межі температурного діапазону, зазначеного в інструкції з експлуатації.** Неналежне заряджання або заряджання за межами зазначеного температурного діапазону може призвести до руйнування акумуляторної батареї та підвищує ризик займання.

### Сервісне обслуговування

- ▶ **Доручайте ремонт електроінструмента лише кваліфікованому персоналу зі спеціальною підготовкою за умови використання тільки оригінальних запасних частин.** Це забезпечить функціональність інструмента.



- ▶ **Забороняється здійснювати технічне обслуговування пошкоджених акумуляторних батарей.** У будь-яких випадках технічне обслуговування акумуляторних батарей повинен здійснювати виробник або уповноважена служба технічного обслуговування.

## **2.2 Вказівки з техніки безпеки під час використання пилок із маятниковим ходом пиляльного полотна**

- ▶ **Якщо під час виконання робіт існує ймовірність того, що змінний робочий інструмент може натрапити на приховану електропроводку, утримуйте електроінструмент за ізольовані поверхні рукояток.** У разі контакту з електричним дротом, який знаходиться під напругою, металеві деталі інструмента також потраплять під напругу, а це може призвести до ураження електричним струмом.
- ▶ **Закріпіть оброблюваний об'єкт на стійкій поверхні за допомогою лещат або іншим надійним способом.** Якщо утримувати оброблюваний об'єкт рукою або притискати його до тіла, це не гарантує надійного закріплення та може призвести до втрати контролю.

## **2.3 Додаткові вказівки з техніки безпеки**

### **Безпека персоналу**

- ▶ Користуйтеся лише повністю справним інструментом.
- ▶ Вносите будь-які зміни до конструкції інструмента заборонено.
- ▶ Слідкуйте за тим, щоб рукоятки були сухими та чистими.
- ▶ Під час роботи з інструментом використовуйте відповідні захисні окуляри, захисні навушники та захисні рукавиці.
- ▶ Під час заміни робочого інструмента використовуйте захисні рукавиці. Контакт зі змінним робочим інструментом може призвести до отримання порізів або опіків.
- ▶ Використовуйте захисні окуляри. Уламки матеріалу можуть завдати поранень або пошкодити очі.
- ▶ Не дивіться безпосередньо на світлодіодне підсвічування та не направляйте його в обличчя іншим особам. Існує небезпека засліплення.
- ▶ Перш ніж розпочинати використання інструмента, з'ясуйте клас небезпеки пилу, що утворюватиметься під час роботи. Використовуйте будівельний пилосос затвердженого класу захисту, що відповідає місцевим вимогам щодо захисту від пилу.
- ▶ Подбайте про належну вентиляцію робочого місця та користуйтеся респіратором, який підходить до матеріалу, що обробляється. У разі контакту з таким пилом або при його вдиханні у користувача електроінструмента та у людей, що знаходяться поруч, можуть виникнути алергійні реакції та/або захворювання дихальних шляхів. Деякі різновиди пилу, наприклад деревини дуба і бука, вважаються канцерогенними, особливо у поєднанні з речовинами для обробки деревини (хроматом, засобами для захисту деревини). До обробки матеріалів, що містять азбест, допускаються лише фахівці зі спеціальною підготовкою.
- ▶ Працюйте з перервами та виконуйте вправи на розминання пальців, щоб покращити кровообіг у них. Під час довготривалих робіт вібрація може пошкодити судини або нерви у пальцях, руках або зап'ясткових суглобах.

### **Електрична безпека**

- ▶ Перед початком роботи перевіряйте робоче місце на наявність прихованих електричних кабелів, газових та водопровідних труб. Якщо Ви під час роботи випадково пошкодите електричні кабелі, контакт з відкритими металевими деталями інструмента може спричинити ураження електричним струмом.

### **Належне використання електроінструментів та дбайливий догляд за ними**

- ▶ Надійно зафіксуйте оброблюваний об'єкт. Використання затискного пристрою або лещат забезпечить кращу фіксацію оброблюваного об'єкта у порівнянні з утримуванням його рукою.

### **Спеціальні вказівки з техніки безпеки щодо використання лобзика**

- ▶ Під час пиляння завжди спрямовуйте інструмент від себе.
- ▶ Ніколи не тримайте руки перед пиляльним полотном та не торкайтеся його.
- ▶ Ніколи не здійснюйте пиляння незнайомих матеріалів; крім того, на траєкторії пиляння під інструментом та над ним не повинно бути жодних перешкод.
- ▶ Під час пиляння не торкайтеся нижньої поверхні оброблюваного об'єкта.



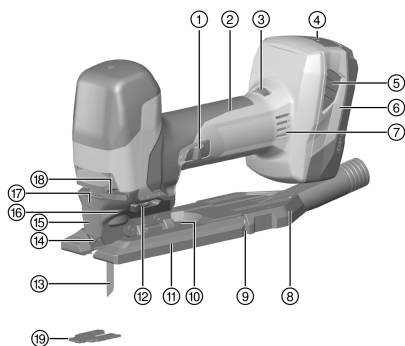


## 2.4 Застосування акумуляторних батарей та дбайливий догляд за ними

- ▶ Дотримуйтеся особливих указівок щодо транспортування, складського зберігання та застосування літій-іонних акумуляторних батарей.
- ▶ Не піддавайте акумуляторні батареї впливу високих температур, прямих сонячних променів та відкритого вогню.
- ▶ Акумуляторні батареї забороняється розбирати, роздавлювати, нагрівати до температури понад 80 °C (176 °F) або спалювати.
- ▶ Не використовуйте та не заряджайте акумуляторні батареї, які зазнали впливу ударного навантаження, впали з висоти більше одного метра або були пошкоджені іншим чином. У разі виникнення такої ситуації завжди звертайтеся до **сервісної служби** компанії **Hilti**.
- ▶ Якщо акумуляторна батарея гаряча на дотик, вона може бути пошкоджена. Залиште акумуляторну батарею у захищеному від вогню місці на достатній відстані від горючих матеріалів, де за нею можна спостерігати. Зачекайте, доки акумуляторна батарея не охолоне. Якщо через годину акумуляторна батарея все ще залишається гарячою на дотик, це свідчить про її несправність. Зверніться до **сервісної служби** компанії **Hilti**.

## 3 Опис

### 3.1 Огляд продукту



- 1 Вимикач
- 2 Рукоятка
- 3 Регульовальне колесо для встановлення кількості робочих ходів
- 4 Індикатор стану заряду акумуляторної батареї
- 5 Деблокувальна кнопка акумуляторної батареї
- 6 Акумуляторна батарея
- 7 Вентиляційні прорізи
- 8 Усмоктувальний адаптер
- 9 Стопорний гачок
- 10 Шкала для встановлення кута різання
- 11 Опорна плита
- 12 Важіль для регулювання маятникового ходу
- 13 Пиляльне полотно
- 14 Захист від випадкового контакту з робочим інструментом
- 15 Захисна кришка
- 16 Затискний патрон
- 17 Світлодіодне підсвічування
- 18 Важіль для деблокування пиляльного полотна
- 19 Противідкольна накладка

### 3.2 Використання за призначенням

Описаний у цьому документі інструмент являє собою ручний акумуляторний лобзик із маятниковим ходом. Він призначений для пиляння матеріалів на основі пластмаси, деревини та металу, а також для пиляння гіпсових та волокнистих плит.

Інструмент оснащений знімним з'єднувальним штуцером для підключення пилососа, з яким використовуються стандартні усмоктувальні шланги. Для приєднання усмоктувального шланга до інструмента Вам може знадобитися відповідний адаптер.

- ▶ Застосовуйте із цим інструментом лише літій-іонні акумуляторні батареї **Hilti** типу B 22.
- ▶ Для заряджання цих акумуляторних батарей використовуйте тільки зарядні пристрої **Hilti** типу C4/36.
- ▶ Використовуйте із цим інструментом тільки пиляльні полотна з Т-подібним хвостовиком (конструкція якого передбачає один упор).




### 3.3 Можливі варіанти неналежного використання

- Забороняється застосовувати інструмент для спилювання гілок та стовбурів дерев.
- Забороняється застосовувати інструмент для обробки матеріалів, що становлять небезпеку для здоров'я людини.
- Забороняється застосовувати інструмент у вологому середовищі.

### 3.4 Індикатор стану заряду

Для перевірки стану заряду літій-іонної акумуляторної батареї необхідно натиснути деблокувальну кнопку (лише до відчутного опору).

Стан	Значення
4 світлодіоди горять.	Стан заряду: від 75 % до 100 %
3 світлодіоди горять.	Стан заряду: від 50 % до 75 %
2 світлодіоди горять.	Стан заряду: від 25 % до 50 %
1 світлодіод горить.	Стан заряду: від 10 % до 25 %
1 світлодіод мигає.	Стан заряду: < 10 %

 При натиснутому вимикачі та протягом 5 секунд після його відпускання перевірка стану заряду неможлива. Якщо світлодіодні індикатори стану заряду акумуляторної батареї мигають, будь ласка, виконайте вказівки, наведені в розділі «Допомога у разі виникнення несправностей».

### 3.5 Пристрій для здування стружки

Пристрій для здування стружки направляє на пиляльне полотно потік повітря, щоб стружка не закривала від оператора лінію розрізу.

### 3.6 Кількість робочих ходів

Кількість робочих ходів встановлюється за допомогою регульовального колеса. Коли колесо встановлене у положення 1, інструмент виконує 800 робочих ходів на хвилину; коли колесо встановлене у положення 6, інструмент виконує 3000 робочих ходів на хвилину.

### 3.7 4-ступеневе регулювання маятникового ходу

Завдяки 4-ступеневому регулюванню маятникового ходу можна встановити потужність та якість пиляння відповідно до оброблюваного матеріалу. Перемикання між 4 ступенями маятникового ходу здійснюється за допомогою важеля.

Чим чистішою та гладкішою повинна бути кромка зрізу, тим менший ступінь маятникового ходу слід обирати. Оптиміальне налаштування можна визначити на практиці.

Стан	Значення
Ступінь 0	Без маятникового ходу
Ступінь 1	Малий маятниковий хід
Ступінь 2	Середній маятниковий хід
Ступінь 3	Великий маятниковий хід

### 3.8 Противідкольна накладка

Інструмент може бути оснащений противідкольною накладкою.

Під час пиляння деревини противідкольна накладка допомагає попередити відколювання часток із верхнього шару оброблюваного об'єкта.

### 3.9 Автоматичне вимкнення інструмента

Якщо вимикач безперервно залишається натиснутим протягом більше 15 хвилин (наприклад, під час транспортування або зберігання), інструмент автоматично вимикається. Це дозволяє уникнути глибокого розрядження акумуляторної батареї.



### 3.10 Комплект постачання

Лобзик із маятниковим ходом, пиляльне полотно, захисна кришка, усмоктувальний адаптер, протівід-кольна накладка, інструкція з експлуатації, торцевий шестигранний ключ.

З іншим приладдям, допущеним до експлуатації з Вашим інструментом, Ви можете ознайомитися у найближчому сервісному центрі Hilti або на веб-сайті [www.hilti.com](http://www.hilti.com)

## 4 Технічні дані

### 4.1 Лобзик із маятниковим ходом

	<b>SJT 6-A22</b>
<b>Номінальна напруга</b>	21,6 В
<b>Маса відповідно до EPTA Procedure 01 з акумуляторною батареєю B228.0</b>	3,2 кг
<b>Висота робочого ходу</b>	28 мм
<b>Кількість робочих ходів у холостому режимі (n<sub>0</sub>)</b>	800 об/хв ... 3 000 об/хв
<b>Максимальна потужність пиляння деревини</b>	150 мм
<b>Максимальна потужність пиляння алюмінію</b>	25 мм
<b>Максимальна потужність пиляння нелегованої сталі</b>	10 мм
<b>Кут різання (ліворуч/праворуч)</b>	0° ... 45°
<b>Зовнішній діаметр усмоктувального адаптера</b>	27,5 мм
<b>Температура зберігання</b>	-20 °C ... 70 °C
<b>Температура навколишнього середовища під час роботи</b>	-17 °C ... 60 °C
<b>Температура акумуляторної батареї на початку процесу заряджання</b>	-10 °C ... 45 °C
<b>Температура зберігання</b>	-20 °C ... 40 °C
<b>Температура навколишнього середовища під час роботи</b>	-17 °C ... 60 °C

### 4.2 Дані про шум та значення вібрації, виміряні згідно зі стандартом EN 62841

Наведені у цих рекомендаціях значення звукового тиску та вібрації були виміряні згідно з установленою процедурою вимірювання та можуть використовуватися для порівняння електроінструментів. Вони також придатні для попереднього оцінювання шумового та вібраційного навантаження.

Наведені дані обумовлюють переважні сфери застосування електроінструмента. Однак якщо Ви використовуєте його не за призначенням, застосовуєте нестандартне приладдя або неналежним чином здійснюєте догляд за інструментом, ці дані можуть відрізнятись від вказаних значень. Це може призвести до помітного збільшення шумового та вібраційного навантаження протягом усього робочого часу.

Для більш точної оцінки шумового та вібраційного навантаження необхідно враховувати також проміжки часу, протягом яких інструмент залишається вимкненим або працює на холостому ході. Це може значно зменшити вібраційне та шумове навантаження протягом усього робочого часу.

Необхідно також вживати додаткових заходів безпеки з метою захисту працівників від дії шуму та/або вібрації, зокрема: проводити своєчасне технічне обслуговування електроінструмента та змінних робочих інструментів до нього, утримувати руки у теплі, належним чином організувати робочий процес.

#### Рівень шуму

	<b>SJT 6-A22</b>
<b>Рівень шумової потужності (L<sub>WA</sub>)</b>	100 дБ(А)
<b>Похибка для рівня шумової потужності (K<sub>WA</sub>)</b>	5 дБ(А)
<b>Рівень звукового тиску (L<sub>pA</sub>)</b>	89 дБ(А)
<b>Похибка для рівня звукового тиску (K<sub>pA</sub>)</b>	5 дБ(А)



## Сумарне значення вібрації

	SJT 6-A22
Рівень вібрації, що створюється під час пиляння дерев'яних дощок ( $a_{h,v}$ )	5,0 м/с <sup>2</sup>
Похибка у разі пиляння ДСП (К)	1,5 м/с <sup>2</sup>
Рівень вібрації, що створюється під час пиляння листового металу ( $a_{h,m}$ )	7,9 м/с <sup>2</sup>
Похибка у разі пиляння листового металу (К)	1,5 м/с <sup>2</sup>

## 5 Акумуляторна батарея

Робоча напруга акумуляторної батареї	21,6 В
Температура навколишнього середовища під час роботи	-17 °C ... 60 °C
Температура зберігання	-20 °C ... 40 °C
Температура акумуляторної батареї на початку процесу заряджання	-10 °C ... 45 °C

## 6 Підготовка до роботи

### ПОПЕРЕДЖЕННЯ

**Ризик отримання травм внаслідок непередбаченого увімкнення інструмента!**

- ▶ Перш ніж установлювати акумуляторну батарею, переконайтеся, що відповідний інструмент вимкнений.
- ▶ Від'єднайте акумуляторну батарею, перш ніж задавати налаштування інструмента або заміняти приладдя.

Дотримуйтеся попереджувальних вказівок та вказівок з техніки безпеки, наведених у цьому документі та на корпусі інструмента.

### 6.1 Заряджання акумуляторної батареї

1. Перед заряджанням акумуляторної батареї прочитайте інструкцію з експлуатації зарядного пристрою.
2. Контакти акумуляторної батареї та зарядного пристрою повинні бути чистими та сухими.
3. Заряджайте акумуляторну батарею тільки за допомогою тих зарядних пристроїв, які допущені до застосування з нею. → стор. 67

### 6.2 Установлення акумуляторної батареї

#### ПОПЕРЕДЖЕННЯ

**Ризик отримання травм внаслідок короткого замикання або падіння акумуляторної батареї!**

- ▶ Перш ніж установлювати акумуляторну батарею, переконайтеся, що на контактах батареї та інструмента немає сторонніх предметів.
- ▶ Завжди перевіряйте, щоб акумуляторна батарея була правильно зафіксована.

1. Перед першим використанням акумуляторну батарею слід повністю зарядити.
2. Уставте акумуляторну батарею в інструмент, щоб вона зафіксувалася із чітким характерним звуком.
3. Переконайтеся, що акумуляторна батарея надійно зафіксована в інструменті.

### 6.3 Виймання акумуляторної батареї

1. Натисніть на деблокувальні кнопки акумуляторної батареї.
2. Дістаньте акумуляторну батарею з інструмента.

### 6.4 Установлення пиляльного полотна

1. Вийміть акумуляторну батарею.
2. Уставте пиляльне полотно у затисний патрон (зубцями у напрямку зрізу) та натисніть на нього, поки воно не зафіксується.
3. Потягніть за пиляльне полотно, щоб переконатися у його надійній фіксації.



## 6.5 Установлення захисної кришки

1. Вийміть акумуляторну батарею.
2. Уставте захисну кришку спереду в інструмент до упору.

Захисну кришку можна встановити лише в тому випадку, якщо опорна плита знаходиться у нормальному положенні (нуль градусів).

## 6.6 Установлення усмоктувального адаптера

1. Утримуючи усмоктувальний адаптер горизонтально, установіть його ззаду на опорну плиту таким чином, щоб два стопорних гачка увійшли у зачеплення з обох боків.
2. Приєднайте шланг пирососа до усмоктувального адаптера.

## 7 Експлуатація

Дотримуйтеся попереджувальних вказівок та вказівок з техніки безпеки, наведених у цьому документі та на корпусі інструмента.

### 7.1 Використання системи видалення пилу

Система видалення пилу дозволяє зменшити пилове навантаження та підвищити експлуатаційну безпеку інструмента, оскільки завдяки їй використанню стружка та пил не закривають від оператора лінію розрізу та менше забруднюють робоче місце.

1. Установіть захисну кришку. → стор. 71
2. Завжди використовуйте систему видалення пилу, якщо Ви довго працюєте з деревом або матеріалами, які можуть спричинити появу пилу високої концентрації.

### 7.2 Увімкнення

1. Установіть акумуляторну батарею.

Якщо акумуляторну батарею вставити у тримач вже увімкненого інструмента, то функція безпеки заблокує його запуск.  
Відведіть вимикач назад у вихідне положення, після чого знову пересуньте його вперед.

2. Щоб увімкнути інструмент, пересуньте вимикач уперед.

### 7.3 Пряме врізання в матеріал

1. Установіть важіль для регулювання маятникового ходу в положення 0.
2. Установіть інструмент на оброблюваний об'єкт переднім краєм опорної плити.
3. Надійно утримуючи інструмент, натисніть на вимикач.
4. Міцно притисніть інструмент до оброблюваного об'єкта та, зменшуючи кут нахилу, починайте заглиблення у матеріал.
5. Коли Ви пропиляли оброблюваний об'єкт наскрізь, установіть інструмент у нормальне робоче положення.
  - ▶ Опорна плита повинна рівномірно прилягати до поверхні оброблюваного об'єкта.
6. Продовжуйте пиляння вздовж лінії розмітки.

### 7.4 Вимкнення

- ▶ Щоб вимкнути інструмент, пересуньте вимикач назад.

## 8 Демонтаж

### 8.1 Зняття усмоктувального адаптера

1. Натисніть на обидва стопорних гачка.
2. Потягніть усмоктувальний адаптер назад та від'єднайте його від опорної плити.
3. Потягніть за шланг пирососа та від'єднайте його від усмоктувального адаптера.



## 8.2 Зняття захисної кришки 7

1. Вийміть акумуляторну батарею.
2. Злегка нахиліть захисну кришку та зніміть її, потягнувши вперед.

## 8.3 Виштовхування пиляльного полотна 3

### ПОПЕРЕДЖЕННЯ

**Ризик отримання травм.** Неконтрольоване виштовхування пиляльного полотна з інструмента може призвести до травмування.

- ▶ Коли Ви плануєте дістати пиляльне полотно, утримуйте інструмент таким чином, щоб під час виштовхування воно не травмувало людей або тварин.

1. Вийміть акумуляторну батарею.
2. Відведіть важіль для деблокування пиляльного полотна вбік до упору.
  - ▶ Пиляльне полотно буде деблоковано та виштовхнуто з інструмента.

## 9 Догляд і технічне обслуговування

### ПОПЕРЕДЖЕННЯ

**Небезпека травмування під час виконання робіт на інструменті з установленою акумуляторною батареєю!**

- ▶ Завжди діставайте з інструмента акумуляторну батарею, перш ніж розпочинати будь-які роботи з догляду та технічного обслуговування!

### Догляд за інструментом

- Видаляйте накопичення бруду обережно.
- Якщо конструкцією інструмента передбачені вентиляційні прорізи, обережно прочищайте їх м'якою сухою щіткою.
- Чистьте корпус інструмента тільки вологою тканиною. Не використовуйте миючі засоби, що містять силікон, оскільки вони можуть пошкодити пластмасові деталі.
- Для чищення контактів інструмента використовуйте чисту суху тканину.

### Догляд за літій-іонними акумуляторними батареями

- Ніколи не використовуйте акумуляторну батарею із заблокованими вентиляційними прорізами. Обережно прочищайте вентиляційні прорізи м'якою сухою щіткою.
- Уникайте зайвого контакту акумуляторної батареї з пилом або брудом. Ніколи не піддавайте акумуляторну батарею впливу високої вологості (зокрема, не занурюйте її у воду та не залишайте під дощем).

Якщо рідина потрапила всередину акумуляторної батареї, з нею слід поводитися як із пошкодженою акумуляторною батареєю. Іzolуйте акумуляторну батарею у контейнері з незаймистого матеріалу та зверніться до сервісної служби компанії **Hilti**.

- Не допускайте забруднення акумуляторної батареї сторонніми мастильними матеріалами. Слідкуйте за тим, щоб на акумуляторній батареї не накопичувалась занадто велика кількість пилу або бруду. Видаляйте забруднення з акумуляторної батареї м'якою сухою щіткою або чистою сухою тканиною. Не використовуйте миючі засоби, що містять силікон, оскільки вони можуть пошкодити пластмасові деталі.

Не торкайтеся контактів акумуляторної батареї та не видаляйте з них мастильні матеріали, нанесені на заводі виробника.

- Чистьте корпус інструмента тільки вологою тканиною. Не використовуйте миючі засоби, що містять силікон, оскільки вони можуть пошкодити пластмасові деталі.

### Технічне обслуговування

- Регулярно перевіряйте усі зовнішні частини інструмента на наявність пошкоджень, а органи керування – на предмет справної роботи.
- Не використовуйте інструмент у разі виявлення пошкоджень та/або порушень функціональності. негайно передайте інструмент до сервісної служби компанії **Hilti** для здійснення ремонту.
- Після завершення робіт з догляду і технічного обслуговування встановіть усі захисні пристрої та перевірте їхню роботу.





Щоб гарантувати належну роботу інструмента, використовуйте тільки оригінальні запасні частини та видаткові матеріали. Рекомендовані компанією **Hilti** запасні частини, видаткові матеріали та приладдя для інструмента Ви можете придбати у найближчому магазині **Hilti Store** або на веб-сайті **www.hilti.group**

### 9.1 Чищення усмоктувального адаптера

1. Вийміть акумуляторну батарею.
2. Зніміть усмоктувальний адаптер. → стор. 71
3. Прочистьте усмоктувальний адаптер.
4. Переконайтеся, що стопорні гачки не пошкоджені.
5. Установіть усмоктувальний адаптер. → стор. 71

### 9.2 Чищення пиляльних полотен

1. Слід регулярно видаляти з пиляльних полотен залишки смоли.
2. Покладіть пиляльні полотна на 24 години у бензин або у засіб для видалення смоли (продається окремо).

## 10 Транспортування та зберігання акумуляторних інструментів та акумуляторних батарей

### Транспортування



#### Непередбачене увімкнення інструмента під час транспортування !

- ▶ На час транспортування завжди діставайте з інструмента акумуляторну батарею!
- ▶ Діставайте акумуляторну(-і) батарею(-і).
- ▶ Ніколи не перевозьте акумуляторні батареї у незапакованому вигляді. Під час перевезення акумуляторні батареї повинні бути захищені від сильних поштовхів та вібрацій, а також ізольовані від будь-яких струмопровідних матеріалів та від інших акумуляторних батарей. Це дозволить уникнути короткого замикання, яке може статися через контакт полюсів різних акумуляторних батарей. **Дотримуйтеся місцевих правил, які регламентують порядок перевезення акумуляторних батарей.**
- ▶ Забороняється пересилати акумуляторні батареї поштою. Для пересилання непошкоджених акумуляторних батарей зверніться до кур'єрської служби.
- ▶ Перед кожним використанням, а також перед тривалим транспортуванням і після його завершення перевіряйте інструмент та акумуляторні батареї на наявність пошкоджень.

### Зберігання



#### Непередбачене пошкодження інструмента через несправність акумуляторної батареї або через виток електроліту з акумуляторної батареї !

- ▶ На час зберігання завжди діставайте з інструмента акумуляторну батарею!
- ▶ Зберігайте інструмент та акумуляторні батареї у сухому прохолодному місці. Дотримуйтеся діапазону температур, зазначеного у технічних даних інструмента.
- ▶ Не зберігайте акумуляторні батареї на зарядному пристрої. Після закінчення процесу заряджання завжди від'єднуйте акумуляторну батарею від зарядного пристрою.
- ▶ Не зберігайте акумуляторні батареї на сонці, біля джерел тепла або на підвіконні.
- ▶ Зберігайте інструмент та акумуляторні батареї у сухому місці, недоступному для дітей та сторонніх осіб.
- ▶ Перед кожним використанням, а також перед тривалим зберіганням і після його завершення перевіряйте інструмент та акумуляторні батареї на наявність пошкоджень.

## 11 Допомога у разі виникнення несправностей

У разі виникнення несправностей, які не зазначені у цій таблиці або які Ви не можете полагодити самостійно, зверніться до сервісної служби компанії **Hilti**.



Несправність	Можлива причина	Рішення
Пиляльне полотно випадає з інструмента.	Пиляльне полотно закріплене неналежним чином.	<ul style="list-style-type: none"> <li>▶ Повторіть операцію його закріплення.</li> <li>▶ Переконайтеся, що затискний патрон повністю відкритий; крім того, пиляльне полотно повинне вставлятися з відчутним опором.</li> </ul>
	Система затискних пристроїв засмічена.	<ul style="list-style-type: none"> <li>▶ Прочистьте затискний патрон.</li> </ul>
Пиляльне полотно не вдається вставити в інструмент.	Система затискних пристроїв засмічена.	<ul style="list-style-type: none"> <li>▶ Прочистьте затискний патрон.</li> </ul>
Не вдається відрегулювати маятниковий хід.	Паз важеля для регулювання маятникового ходу засмічений.	<ul style="list-style-type: none"> <li>▶ Прочистьте паз важеля для регулювання маятникового ходу.</li> </ul>
Маятниковий хід не функціонує.	Механізм маятникового ходу засмічений.	<ul style="list-style-type: none"> <li>▶ Перевірте, чи накопився бруд в області маяткової вилки та за необхідності видаліть його.</li> </ul>
	Важіль для регулювання маятникового ходу встановлений у положення 0.	<ul style="list-style-type: none"> <li>▶ Установіть його у потрібне положення.</li> </ul>
Акумуляторна батарея розряджається швидше, ніж звичайно.	Занадто низька температура навколишнього середовища.	<ul style="list-style-type: none"> <li>▶ Зачекайте, доки акумуляторна батарея повільно нагріється до кімнатної температури.</li> </ul>
Акумуляторна батарея не зафіксується з чіткою відчутним клацанням.	Фіксатори акумуляторної батареї засмічені.	<ul style="list-style-type: none"> <li>▶ Прочистьте зачіпки фіксаторів та вставте акумуляторну батарею знову.</li> </ul>
1 світлодіод мигає. Інструмент не працює.	Акумуляторна батарея розряджена.	<ul style="list-style-type: none"> <li>▶ Замініть акумуляторну батарею та зарядіть розряджену акумуляторну батарею.</li> </ul>
	Акумуляторна батарея занадто холодна або гаряча.	<ul style="list-style-type: none"> <li>▶ Зачекайте, доки акумуляторна батарея повільно нагріється або охолоне до кімнатної температури.</li> </ul>
Усі 4 світлодіоди мигають. Інструмент не працює.	Інструмент перенавантажений.	<ul style="list-style-type: none"> <li>▶ Відпустіть вимикач та знову натисніть на нього. Після цього дайте інструменту попрацювати приблизно 30 секунд на холостому ходу.</li> </ul>
Інструмент або його акумуляторна батарея сильно перегріваються.	Електрична несправність	<ul style="list-style-type: none"> <li>▶ негайно вимкніть інструмент, дістаньте акумуляторну батарею, поспостерігайте за нею, дайте їй охолонути, після чого зверніться до сервісної служби компанії <b>Hilti</b>.</li> </ul>

## 12 Утилізація



### ПОПЕРЕДЖЕННЯ

**Ризик отримання травм внаслідок неналежної утилізації!** Небезпека для здоров'я внаслідок контакту з газами або рідинами, що виходять з акумуляторної батареї.

- ▶ Пошкоджені акумуляторні батареї забороняється пересилати поштою або кур'єрською службою!
- ▶ Закрийте контакти акумуляторних батарей електронепровідним матеріалом, щоб запобігти короткому замиканню.
- ▶ Утилізуйте акумуляторні батареї таким чином, щоб вони не потрапили до рук дітей.
- ▶ Щоб утилізувати акумуляторну батарею, передайте її до найближчого магазину **Hilti Store** або зверніться до представника відповідної компанії з утилізації відходів.





Більшість матеріалів, з яких виготовлено інструменти компанії **Hilti**, придатні для вторинної переробки. Передумовою для їхньої вторинної переробки є належне сортування відходів за типом матеріалу. У багатьох країнах світу компанія **Hilti** приймає старі інструменти для їхньої утилізації. Щоб отримати додаткову інформацію, звертайтеся до сервісної служби компанії **Hilti** або до свого торгового консультанта.



- ▶ Не викидайте електроінструменти, електронні пристрої та акумуляторні батареї у баки для побутового сміття!

### 13 RoHS (директива КНП про обмеження використання небезпечних речовин)

Щоб переглянути таблицю з інформацією про небезпечні речовини, будь ласка, перейдіть за такими посиланнями: [qr.hilti.com/r5212958](http://qr.hilti.com/r5212958)  
Посилання на таблицю з інформацією про речовини, включені до директиви RoHS, наведене наприкінці цього документа у вигляді QR-коду.

### 14 Гарантійні зобов'язання виробника

- ▶ З питань гарантії, будь ласка, звертайтеся до найближчого партнера компанії **Hilti**.

## Түпнұсқа пайдалану бойынша нұсқаулық

### 1 Пайдалану бойынша нұсқаулық туралы мәліметтер

#### 1.1 Бұл құжаттама туралы



#### Импорттауыш және өндірушінің өкілетті ұйымы

- (RU) Ресей Федерациясы  
"Хилти Дистрибьюшн ЛТД" АҚ, 141402, Мәскеу облысы, Химки қ., Ленинградская к-сі, 25-бет, 15.26-құрылымы
- (BY) Беларусь Республикасы  
"Хилти БиУай" ЖШС, 222750, Минск облысы, Дзержин ауданы, Р-1, 18 км, 2 (Слободка ауылының жанында), 1-34 құрылымы
- (KZ) Қазақстан Республикасы  
"Хилти Қазақстан" ЖШС, 050057, Алматы қ., Бостандық ауданы, Тимирязев к-сі, 42/15 үй, литер 012 (15 корпус)
- (KG) Қырғыз Республикасы  
"Т AND Т" ЖШҚ, 720021, Қырғызстан, Бішкек қ., Ибраимов көш., 29 А үйі
- (AM) Армения Республикасы  
"ЭЙЧ-КОН" ЖШҚ, 0070, Ереван қ., Ерманда Кочар к-сі, 19/28

Өндірілген елі: жабдықтағы белгілеу тақтайшасын қараңыз.

Өндірілген күні: жабдықтағы белгілеу тақтайшасын қараңыз.

Тиісті сертификатты мына мекенжай бойынша табуға болады: [www.hilti.ru](http://www.hilti.ru)

Сақтау, тасымалдау және пайдалану шарттарына пайдалану бойынша нұсқаулықта белгіленгеннен басқа арнайы талаптар қойылмайды.

Өнімнің қызмет ету мерзімі 5 жыл.

- Іске қосу алдында осы пайдалану бойынша нұсқаулықты оқып шығыңыз. Бұл қауіпсіз жұмыс пен ақаусыз басқару үшін алғышарт болып табылады.
- Осы пайдалану бойынша нұсқаулықтағы және өнімдегі қауіпсіздік және ескерту нұсқауларын орындаңыз.
- Пайдалану бойынша нұсқаулықты әрдайым өнімде сақтаңыз және өнімді басқа тұлғаларға тек осы пайдалану бойынша нұсқаулықпен бірге тапсырыңыз.



## 1.2 Шартты белгілердің анықтамасы

### 1.2.1 Ескерту

Ескертулер өнімді қолдану барысындағы қауіптер туралы ескертеді. Төмендегі сигналдық сөздер пайдаланылады:

#### **ҚАУІПТІ**

##### ҚАУІПТІ !

- ▶ Ауыр жарақаттарға әкелетін немесе өмірге қауіп төндіретін тікелей қауіпті жағдайдың жалпы белгіленуі.

#### **ЕСКЕРТУ**

##### ЕСКЕРТУ !

- ▶ Ауыр жарақаттарға әкелуі немесе өмірге қауіп төндіруі мүмкін ықтимал қауіпті жағдайдың жалпы белгіленуі.

#### **АБАЙЛАҢЫЗ**

##### АБАЙЛАҢЫЗ !

- ▶ Жарақат алуға немесе мүліктің зақымдалуына әкелуі мүмкін ықтимал қауіпті жағдайдың жалпы белгіленуі.

### 1.2.2 Құжаттамадағы белгілер

Бұл құжаттамада төмендегі белгілер пайдаланылады:

	Пайдалану алдында пайдалану бойынша нұсқаулықты оқу қажет
	Аспапты пайдалану бойынша нұсқаулар және басқа пайдалы ақпарат
	Қайта пайдалануға болатын материалдармен жұмыс істеу
	Электр аспаптарды және аккумуляторларды тұрмыстық қоқысқа тастамаңыз

### 1.2.3 Суреттердегі белгілер

Суреттерде төмендегі белгілер қолданылады:

	Бұл сандар осы нұсқаулықтың басындағы әр суретке сәйкес келеді
3	Нөмірлеу суреттегі жұмыс қадамдарының реттілігін білдіреді және мәтіндегі жұмыс қадамдарынан өзгешеленуі мүмкін
	Позиция нөмірлері <b>Шолу</b> суретінде қолданылады және <b>Өнімге шолу</b> мақаласындағы шартты белгілердің нөмірлеріне сілтейді
	Аталмыш белгілер өнімді қолдану барысында айрықша назарыңызды аудартады.

## 1.3 Өнімге қатысты белгілер

### 1.3.1 Өнімдегі белгілер

Өнімде төмендегі белгілер пайдаланылуы мүмкін:

$n_0$	Бос жүрістегі жиілік
	Тұрақты ток
	Құрылғы iOS және Android платформаларымен үйлесімді NFC технологиясын қолдайды.
Li-Ion	Литий-иондық аккумулятор



	Пайдаланылған Hilti литий-ион аккумуляторларының сериясы. <b>Қолдану мақсаты</b> бөліміндегі нұсқауларды орындаңыз.
	Аккумуляторды еш жағдайда соқпа құрал ретінде пайдаланбаңыз.
	Аккумуляторды құлатып жібермеңіз. Соққы тиген немесе басқа жолмен зақымдалған аккумуляторды пайдаланбаңыз.

#### 1.4 Өнім туралы ақпарат

**HILTI** өнімдері кәсіби пайдаланушыларға арналған және оларды тек қана өкілетті, білікті қызметкерлер пайдалануы, күтім және техникалық қызмет көрсетуі тиіс. Қызметкерлер қауіпсіздік техникасы бойынша арнайы нұсқау алуы керек. Сипатталған өнім мен оның қосалқы құралдарын басқа мақсатта қолдану немесе олардың оқытылмаған қызметкерлердің тарапынан пайдаланылуы қауіпті. Түр сипаттамасы мен сериялық нөмір фирмалық тақтайшада берілген.

- ▶ Сериялық нөмірді төмендегі кестеге көшіріп қойыңыз. Өнім бойынша сұрауларымен бөліміміз не қызмет көрсету орталығымызға хабарласқан кезде осы мәліметтерді әрдайым қамтамасыз етіңіз.

##### Өнім туралы мәліметтер

Маятниктік электр жұқа арасы	SJT 6-A22
Буын	01
Сериялық нөмір	

#### 1.5 Сәйкестілік декларациясы

Біз осы нұсқаулықта сипатталған өнімнің қолданыстағы директивалар мен нормативтерге сәйкес келетінін толық жауапкершілікпен жариялаймыз. Сәйкестілік декларациясының суреті осы құжаттаманың соңында орналасқан.

Техникалық құжаттама мына жерде сақталған:

Hilti Entwicklungsgesellschaft mbH | Zulassung Geräte | Hiltistraße 6 | 86916 Kaufering, DE

## 2 Қауіпсіздік

### 2.1 Электр құралдары үшін қауіпсіздік техникасы бойынша жалпы нұсқаулар

**⚠ ЕСКЕРТУ** Бұл электр құралына арналған барлық қауіпсіздік нұсқауларын, нұсқауларды, суреттерді және техникалық деректерді оқып шығыңыз. Төменде берілген нұсқауларды орындамау электр тогының соғуына, өртке әкелуі мүмкін және/немесе ауыр жарақаттарды тудыруы мүмкін.

**Қауіпсіздік техникасы бойынша барлық нұсқауларды және нұсқауларды келесі пайдаланушы үшін сақтаңыз.**

Қауіпсіздік нұсқауларында қолданылатын «электр құралы» термині электр желісінен (желілік кабельмен) және аккумулятордан (желілік кабельсіз) жұмыс істейтін электр құралын білдіреді.

#### Жұмыс орны

- ▶ **Жұмыс орнындағы тазалықты және тәртіпті қадағалаңыз.** Жұмыс орнындағы ретсіздік және нашар жарық сәтсіз жағдайларға әкелуі мүмкін.
- ▶ **Жанғыш сұйықтықтар, газдар немесе шаң бар жарылыс қаупі бар аймақта электр құралын қолданбаңыз.** Жұмыс кезінде электр құралдары ұшқындар шығады және ұшқындар шаңды немесе буларды тұтандыруы мүмкін.
- ▶ **Балалардың және бөгде адамдардың жұмыс істеп тұрған электр құралына жақындауына рұқсат етпеңіз.** Жұмысқа көңіл бөлмегенде, электр құралын бақылау жоғалуы мүмкін.

#### Электр қауіпсіздігі

- ▶ **Электр құралдың байланыс ашасы электр желісінің розеткасына сай болуы керек. Айырдың конструкциясын өзгертпеңіз. Қорғауыш жерге қосуы бар электр құралдарымен бірге өтпелі айырларды қолданбаңыз.** Түпнұсқа айырлар және оларға сай розеткалар электр тогының соғу қаупін азайтады.
- ▶ **Жерге қосылған беттерге, мысалы, құбырларға, жылыту құралдарына, пештерге (плиталарға) және тоңазытқыштарға тікелей тиюді болдырмаңыз.** Жерге қосылған заттарға тигенде электр тогының соғуының үлкен қаупі туындайды.
- ▶ **Электр құралдарды жаңбырдан немесе ылғал әсерінен сақтаңыз.** Электр құралға су тиюі нәтижесінде электр тогының соғу қаупі артады.



- ▶ Байланыс сымын басқа мақсатта қолданбаңыз, мысалы, электр құралды тасымалдау, оны іліп қою немесе электр желісінің розеткасынан айырды шығару үшін. Байланыс сымын жылу, май, өткір жиіктер немесе жылжымалы бөліктерден алшақ ұстаңыз. Байланыс сымының зақымдалуы немесе қабаттасуы нәтижесінде электр тогының соғу қаупі артады.
- ▶ Егер жұмыстар ашық ауада орындалса, тек бөлмелерден тыс қолдануға рұқсат етілген ұзартқыш сымдарды пайдаланыңыз. Бөлмелерден тыс қолдануға жарамды ұзартқыш сымды пайдалану электр тогының соғу қаупін азайтады.
- ▶ Егер электр құралмен ылғалдылық жағдайларында жұмыс істеуді болдырмау мүмкін емес болса, шығып кететін токтан қорғау автоматын қолданыңыз. Шығып кететін токтан қорғау автоматын қолдану электр тогының соғу қаупін азайтады.

#### Адамдардың қауіпсіздігі

- ▶ Ұқыпты болыңыз, әрекеттеріңізге көңіл бөліңіз және электр құралымен жұмыс істеуге дұрыс қараңыз. Шаршаған кезде немесе есірткі, алкоголь не дәрі қабылдаған соң электр құралын қолданбаңыз. Электр құралын қолданған кездегі зейінсіздік ауыр жарақаттарға апарып соғуы мүмкін.
- ▶ Жеке қорғану құралдарын пайдаланыңыз және әрқашан міндетті түрде қорғауыш көзілдірікті киіңіз. Электр құралының түріне және пайдалану жағдайларына байланысты жеке қорғану құралдарын, мысалы, шаңнан қорғайтын респираторды, сырғымайтын аяқ киімді, қорғауыш шлемді, естуді қорғау құралдарын қолдану жарақаттану қаупін азайтады.
- ▶ Электр құралының кездейсоқ қосылуын болдырмаңыз. Электр қуатына қосу және/немесе аккумуляторды қою, көтеру немесе тасымалдау алдында электр құралы өшірілгеніне көз жеткізіңіз. Электр құралын тасымалдағанда саусақтар сөндіргіште болатын немесе қосылған электр құралы желіге қосылатын жағдайлар сәтсіз жағдайларға әкелуі мүмкін.
- ▶ Электр құралын қосу алдында реттеуші құрылғыларды және гайка кілтін алыңыз. Электр құралының айналатын бөлігіндегі аспап немесе кілт жарақаттарға әкелуі мүмкін.
- ▶ Жұмыс кезінде ыңғайсыз қалыптарға тұрмауға тырысыңыз. Үнемі тұрақты күйді және тепе-теңдікті сақтаңыз. Бұл күтпеген жағдайларда электр құралын жақсырақ басқаруға мүмкіндік береді.
- ▶ Арнайы киімді киіңіз. Өте бос киімді немесе әшекейлерді кимеңіз. Шашты, киімді және қолғапты электр құралының айналатын түйіндерінен сақтаңыз. Бос киім, әшекейлер және ұзын шаш оларға ілінуі мүмкін.
- ▶ Егер шаңды жинау және кетіруге арналған құрылғыларды қосу қарастырылған болса, олар қосылғанына және мақсаты бойынша қолданылып жатқанына көз жеткізіңіз. Шаңды кетіру модулін пайдалану шаңның зиянды әсерін азайтады.
- ▶ Өз мойныңызға қате қауіпсіздік сезімін алмаңыз және электр құралына арналған қауіпсіздік ережелерін бұзбаңыз, тіпті электр құралын жиі қолданатын тәжірибелі пайдаланушы болсаңыз. Мұқиятсыз қолдану бірнеше секундта ауыр жарақаттануға апарып соғуы мүмкін.

#### Электр құралын қолдану және оған қызмет көрсету

- ▶ Аспапқа шамадан тыс жүктеме түсін болдырмаңыз. Нақ осы жұмысқа арналған электр құралын қолданыңыз. Бұл ережені сақтау көрсетілген қуат диапазонында жоғарырақ жұмыс сапасын және қауіпсіздігін қамтамасыз етеді.
- ▶ Сөндіргіші бұзылған электр құралын қолданбаңыз. Қосу немесе өшіру қиын электр құралы қауіпті және оны жөндеу керек.
- ▶ Электр құралын реттеуге, саймандарды ауыстыруға кірісу алдында немесе жұмыстағы үзіліс алдында розеткадан ашаны және/немесе электр құралынан алмалы-салмалы аккумуляторды шығарыңыз. Бұл сақтық шарасы электр құралының кездейсоқ қосылуын болдырмайды.
- ▶ Қолданылмайтын электр құралдарын балалар жетпейтін жерде сақтаңыз. Аспапмен таныс емес немесе осы нұсқауларды оқып шықпаған адамдарға аспапты пайдалануға рұқсат бермеңіз. Электр құралдары тәжірибесі жоқ пайдаланушылардың қолында қауіпті болады.
- ▶ Электр құралдары мен керек-жарақтарға ұқыпты қараңыз. Айналымды бөліктердің мүлтіксіз қызмет ететінін, олардың жүрісінің жеңілдігін, барлық бөліктердің тұтастығын және электр құралының жұмысына теріс әсер етуі мүмкін зақымдардың жоқтығын тексеріңіз. Аспаптың зақымдалған бөліктерін оны қолдану алдында жөндеуге өткізіңіз. Электр құралына техникалық қызмет көрсету ережелерін сақтамау көп сәтсіз жағдайлардың себебі болып табылады.
- ▶ Кескіш аспаптардың үшкір және таза болуын қадағалау керек. Жұмыс күйінде сақталатын кескіш аспаптардың сыналануы сиректеу болады, оларды басқару жеңілдеу.
- ▶ Электр құралын, саймандарды, көмекші құрылғыларды және т.б. нұсқауларға сай пайдаланыңыз. Бұл кезде жұмыс жағдайларын және орындалатын жұмыстың сипатын ескеріңіз. Электр құралдарын басқа мақсаттарда қолдану қауіпті жағдайларға әкелуі мүмкін.



- ▶ **Тұтқыштар мен тұтқыш беттерін таза, құрғақ, май іздерінсіз ұстаңыз.** Сырғанақ тұтқыштар мен олардың беттері белгілі бір жағдайларда электр құралының қауіпсіз қолданылуы мен басқарылуына жол бермейді.

#### **Акумуляторлық аспапты пайдалану және оған қарау**

- ▶ **Акумуляторды тек өндіруші ұсынған зарядтағыш құрылғылардың көмегімен зарядтаңыз.** Зарядтағыш құрылғыны тиісті емес акумулятор түрлерін зарядтау үшін қолданғанда өрт туындауы мүмкін.
- ▶ **Аспаппен жұмыс істеу үшін тек тиісті акумуляторларды қолданыңыз.** Басқа акумуляторларды пайдалану жарақаттарға әкелуі және өрт тудыруы мүмкін.
- ▶ **Пайдаланылмайтын акумуляторларды контакттардың тұйықталуының себебі болуы мүмкін скрепкалардан, тиындардан, кілттерден, инелерден, винттерден және басқа металл заттардан ары сақтаңыз.** Акумулятор контактарының тұйықталуы күйіктерге немесе тұтануға әкелуі мүмкін.
- ▶ **Акумулятормен тиісті емес түрде жұмыс істегенде одан электролит ағып шығуы мүмкін. Оған тиюді болдырмаңыз. Кездейсоқ тигенде сумен шайыңыз. Электролит көзге тигенде дәрігер көмегіне жүгініңіз.** Акумулятордан ағып шыққан электролит тері тітіркенуін немесе күйіктерді тудыруы мүмкін.
- ▶ **Зақымдалған не пішіні өзгертілген акумуляторларды қолданбаңыз.** Зақымдалған не пішіні өзгертілген акумуляторларды болжауға болмайды және олар өрт, жарылыс не жарақаттану қаупін тудырады.
- ▶ **Акумуляторды өрт не жоғары температуралы аймақтардан алшақ ұстаңыз.** Өрт немесе 130 °C (265 °F) жоғары температуралар жарылыс тудыруы мүмкін.
- ▶ **Зарядтау үшін барлық нұсқауларды орындаңыз және акумулятор не акумуляторлық құралды ешқашан пайдалану бойынша нұсқаулықта берілген температура ауқымдарынан тыс зарядтамаңыз.** Қате зарядтау немесе рұқсатты температура ауқымдарынан тыс зарядтау акумуляторды бұзуы және өрт қаупін арттыруы мүмкін.

#### **Қызмет**

- ▶ **Электр құралын жөндеуді тек түпнұсқа қосалқы бөлшектерді қолданатын білікті қызметкерлерге сеніп тапсырыңыз.** Бұл электр құралын қауіпсіз күйде сақтауды қамтамасыз етеді.
- ▶ **Зақымдалған акумуляторларға ешқашан қызмет көрсетпеңіз.** Акумулятордың толық күтімін тек өндіруші немесе өкілетті қызмет көрсету орталықтары орындауы тиіс.

## **2.2 Поршеньді кескіш дискісі бар араларға арналған қауіпсіздік нұсқаулары**

- ▶ **Пайдаланатын сайманыңыз көзден таса электр желісіне тиіп кетуі мүмкін болса, аспаптың арнайы жеке бөлінген жерінен ұстаңыз.** Электр сымдарына тигенде аспаптың қорғалмаған металл бөлшектері көрнеу астында болады. Бұл электр тогының соғуына әкелуі мүмкін.
- ▶ **Дайындаманы қысқыш немесе басқа құралдың көмегімен тұрақты астыңғы бетке бекітіп тіркеңіз.** Дайындаманы тек қана қолмен немесе дөнеңізге қысып ұстаған кезде, бақылау мүмкіндігінен айырылуыңыз мүмкін.

## **2.3 Қауіпсіздік техникасы бойынша қосымша нұсқаулар**

### **Адамдардың қауіпсіздігі**

- ▶ Құрылғыны тек техникалық мінсіз күйде ғана қолданыңыз.
- ▶ Аспапты бейімдеуге немесе өзгертуге тыйым салынады.
- ▶ Тұтқышты құрғақ ері таза күйінде ұстаңыз.
- ▶ Аспапты қолдану барысында арнайы қорғаныш көзілдірік, құлақ қорғанысын және қорғаныш қолғап киіп жүріңіз.
- ▶ Алмалы-салмалы аспапты ауыстырған кезде қорғауыш қаптаманы тіреңіз. Алмалы-салмалы аспапқа тию кесіктерге және күйіктерге апарып соғуы мүмкін.
- ▶ Қорғауыш көзілдіріктерді пайдаланыңыз. Материалдың сынықтары денені және көзді жарақаттауы мүмкін.
- ▶ Жарыққа (жарық диоды) тікелей қарамаңыз және жарықты басқа адамдардың көзіне тікелей бағыттамаңыз. Соқырлық қаупі бар.
- ▶ Жұмысты бастау алдында дайындама материалы бойынша пайда болатын шаңның қауіп класын анықтаңыз. Аспаппен жұмыс істеу үшін қорғаныс дәрежесі күшіндегі шаңнан қорғау нормаларына сай құрылыс шаңсорғышын қолданыңыз.
- ▶ Жұмыс орындағы ауа алмасуды жақсарту үшін әрекет етіңіз және қажетінше тиісті шаңға арналған респираторды тағыңыз. Мұндай шаңның бөлшектерімен дем алу немесе оған тию



пайдаланушыларда немесе жанындағы адамдарда аллергиялық реакциялардың және/немесе дем алу жолдары ауруларының пайда болуына әкелуі мүмкін. Кейбір шаң түрлері (мысалы, өменді немесе шамшатты өңдеу кезінде пайда болатын шаң) канцерогенді деп есептеледі, әсіресе ағашты өңдеу үшін қолданылатын қосымша материалдармен (хром қышқылының тұзы, ағашты қорғау заттары) тіркесімде. Құрамында асбест бар материалдарды тек мамандар өңдеуі керек.

- ▶ Саусақтарыңыздың қандандыруын жақсарту үшін үзіліс жасап, жаттығулар жасаңыз. Ұзақ уақыт жұмыс істеген кезде, дірілдердің салдарынан саусақ, қол не буындардың қантамыры не жүйкесіне кері әсер тиюі мүмкін.

#### **Электр қауіпсіздігі**

- ▶ Жұмысты бастамас бұрын, жұмыс аймағындағы электрлік сымдар, газ бен су құбырлары жабық екендігіне көз жеткізіңіз. Ток сымына байқамастан зақым келтірген жағдайда, аспаптағы сыртта орналасқан металл бөлшектер ток соғу қаупін тудыруы мүмкін.

#### **Электр құралдарымен дұрыс жұмыс істеу және оны дұрыс пайдалану**

- ▶ Өңделетін бөлшекті берік бекітіңіз. Тартылмалы аспаптармен немесе қыспақпен бұрап бекітілген өңделетін зат қолмен бекіткенге қарағанда берік болып тұрады.

#### **Жұқа араларға арналған қауіпсіздік бойынша арнайы нұсқаулар**

- ▶ Аралау кезінде өнімді әрдайым денеден ары бағыттаңыз.
- ▶ Қолыңызды ешқашан ара төсемінің алдына немесе үстіне қоймаңыз.
- ▶ Белгісіз астыңғы бетте араламаңыз және кескіш төсемді үстінен және астынан бөгеттерден бос ұстаңыз.
- ▶ Аралау кезінде дайындаманың астын ұстамаңыз.

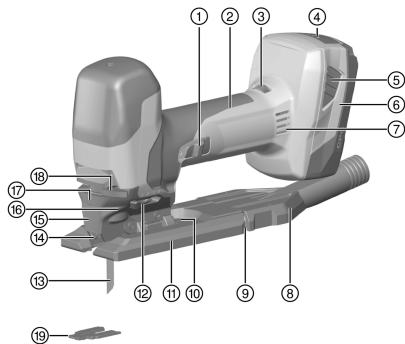
### **2.4 Аккумулятормен дұрыс жұмыс істеу және оны дұрыс пайдалану**

- ▶ Li-Ion аккумуляторын тасымалдау, сақтау және пайдалану бойынша арнайы нұсқаулардың талаптарын орындаңыз.
- ▶ Аккумуляторларды жоғары температуралар, тікелей күн сәулесі мен өрттен алшақ ұстаңыз.
- ▶ Аккумуляторларды бөлшектеуге, қысуға, 80°C (176°F) жоғары температураға дейін қыздыруға және жағуға тыйым салынады.
- ▶ Соққы тиген, бір метрден жоғары биіктіктен құлаған немесе басқа жолмен зақымдалған аккумуляторларды пайдалануға немесе зарядтауға болмайды. Мұндай жағдайда әрдайым **Hilti сервистік қызметіңізге** хабарласыңыз.
- ▶ Егер тиген кезде аккумулятор тым ыстық болса, ол ақаулы болуы мүмкін. Аккумуляторды тұтанғыш материалдардан жеткілікті қашықтықта орналасқан, жақсы көрінетін, тұтанбайтын жерге қойыңыз. Аккумуляторды суытыңыз. Аккумулятор бір сағаттан кейін өлі де қолға ыстық болып тұрса, бұл оның ақаулы екендігін білдіреді. **Hilti қызмет көрсету орталығына** хабарласыңыз.



### 3 Сипаттама

#### 3.1 Өнімге шолу



- ① Қосқыш/ажыратқыш
- ② Тұтқыш
- ③ Жүрістер жиілігін реттеуге арналған орнату дөңгелегі
- ④ Аккумулятордың зарядтау күйін көрсеткіш
- ⑤ Аккумуляторды босату түймесі
- ⑥ Аккумулятор
- ⑦ Желдету ойықтары
- ⑧ Сорғыш адаптер
- ⑨ Бекіткіш ілмек
- ⑩ Кесу бұрышын реттеуге арналған масштабтау
- ⑪ Тірек тақтасы
- ⑫ Маятник жүрісін реттеу иінтірегі
- ⑬ Ара төсемі
- ⑭ Жанасудан қорғаныс
- ⑮ Қаптана
- ⑯ Құрал бекіткіші
- ⑰ Жарық диодты шам
- ⑱ Ара төсемдерін құлыптан босату иінтірегі
- ⑲ Сынудан қорғаныс

#### 3.2 Мақсатына сай қолдану

Сипатталған өнім қолмен басқарылатын аккумуляторлық маятниктік электр жұқа арасы болып табылады. Ол пластик, ағаш пен металл дайындамаларды және гипс пен талшықты тақталарды аралауға арналған.

Өнім стандартты сорғыш шлангілер үшін арнайы жасақталған қосымша шаңсорғышқа арналған алмалы-салмалы байланыс келте құбырымен жабдықталған. Сорғыш шлангіні өнімге жалғау үшін тиісті адаптер қажет болуы мүмкін.

- ▶ Бұл өнім үшін тек В 22 қатарындағы **Hilti** Li-Ion аккумуляторларын ғана пайдаланыңыз.
- ▶ Бұл аккумуляторлар үшін тек С4/36 сериялы **Hilti** зарядтағыш құрылғысын пайдаланыңыз.
- ▶ Осы өнім үшін тек қана Т тәрізді білікпен (бір жұдырықшалы білік) ара төсемдерін пайдаланыңыз.

#### 3.3 Ықтимал қате қолдану

- Өнімді бұтақтар мен ағаш діңін аралау үшін пайдалануға болмайды.
- Өнімді денсаулық үшін зиянды материалдарды өңдеу үшін пайдалануға болмайды.
- Өнімді ылғалды ортада орындалатын жұмыстар үшін пайдалануға болмайды.

#### 3.4 Зарядтау дәрежесінің индикациясы

Li-Ion аккумуляторының зарядтау күйі құлыптан босату түймесін сәл басу арқылы (макс. қарсылық сезінгенге дейін) көрсетіледі.

Құралдың бөлшектері	Сипаттамасы
4 жарық диоды жанады.	Зарядтау күйі: 75% - 100%
3 жарық диоды жанады.	Зарядтау күйі: 50% - 75%
2 жарық диоды жанады.	Зарядтау күйі: 25% - 50%
1 жарық диоды жанады.	Зарядтау күйі: 10% - 25%



Құралдың бөлшектері	Сипаттамасы
1 жарық диоды жыпылықтайды.	Зарядтау күйі: < 10%

**i** Негізгі сөндіргіш басылып тұрғанда және негізгі сөндіргішті жібергеннен 5 секундтан кейін зарядтау күйіне сұрау салу мүмкін болмайды. Аккумулятордың зарядталу деңгейі индикаторының жарық диодтары жыпылықтаған жағдайда «Ақаулықтардағы көмек» бөліміндегі нұсқауларға назар аударыңыз.

### 3.5 Жоққаны үрлеп шығару құрылғысы

Жоққаны үрлеп шығару құрылғысы кесу сызығын жоққадан босату үшін ауа ағынын ара төсеміне бағыттайды.

### 3.6 Жүрістер жиілігі

Жүрістер жиілігін орнату деңгелегінде реттеуге болады. 1-позиция 800 жүріс/минут шамасына, ал 6-позиция 3000 жүріс/минут шамасына сәйкес келеді.

### 3.7 4 сатылы маятник қозғалысы

4 сатылы маятник қозғалысы арқылы кесу тереңдігі мен сапасы өңдеп жатқан материалға байланысты орнатылады. 4 сатыларды ауыстыру арнайы тұтқаның көмегімен орындалады.

Кесу жиегі қаншалықты таза және дәл болса, соншалықты кіші маятник сатысы таңдалуы мүмкін. Оңтайлы саты тәжірибеде анықталады.

Құралдың бөлшектері	Сипаттамасы
0-қадам	Маятник қозғалысы жоқ
1-қадам	Кіші маятник қозғалысы
2-қадам	Орташа маятник қозғалысы
3-қадам	Үлкен маятник қозғалысы

### 3.8 Сынудан қорғаныс

Өнім сынудан қорғаныспен жабдықталуы мүмкін.

Сынудан қорғаныс ағаш дайындамаларды аралау кезінде үстіңгі беттің жарылуына жол бермейді.

### 3.9 Аспапты автоматты түрде өшіру

Қосқыш/ажыратқыш 15 минуттан артық басылып тұрған соң (мысалы, тасымалдау немесе сақтау кезінде) аспап автоматты түрде өшеді. Осылайша аккумулятор зарядының толық таусылуына жол берілмейді.

### 3.10 Жеткізілім жинағы

Ара төсемі бар маятниктік электр жұқа арасы, қаптама, сорғыш адаптер, сынудан қорғаныс, пайдалану бойынша нұсқаулық, ішкі алты қырлы гайка кілті.

Оған қоса, өніміңіз үшін рұқсат етілген жүйелік өнімді Hilti орталығында немесе келесі сайтта табуға болады: [www.hilti.com](http://www.hilti.com)

## 4 Техникалық сипаттамалар

### 4.1 Маятниктік электр жұқа арасы

	SJT 6-A22
Номиналды кернеу	21,6 В
ЕРТА Procedure 01 бойынша салмағы, В228.0 аккумуляторын қоса	3,2 кг
Жүріс биіктігі	28 мм
Бос жүрістегі жиілік (n <sub>0</sub> )	800 А/мин ... 3000 А/мин
Ағаш бойынша макс. кесу өнімділігі	150 мм





	<b>SJT 6-A22</b>
Алюминий бойынша макс. кесу өнімділігі	25 мм
Қоспасыз болат бойынша макс. кесу өнімділігі	10 мм
Кесу бұрышы (сол жақ/оң жақ)	0° ... 45°
Сорғыш адаптердің сыртқы диаметрі	27,5 мм
Сақтау температурасы	-20 °C ... 70 °C
Жұмыс кезіндегі қоршаған орта температурасы	-17 °C ... 60 °C
Заряптаудың басындағы аккумулятор температурасы	-10 °C ... 45 °C
Сақтау температурасы	-20 °C ... 40 °C
Жұмыс кезіндегі қоршаған орта температурасы	-17 °C ... 60 °C

#### 4.2 EN 62841 стандарты бойынша шуыл туралы ақпарат және діріл мәні

Осы нұсқауларда көрсетілген дыбыс қысымы мен діріл деңгейі стандартты өлшеу әдісімен өлшенген және оны басқа электр құралдарымен салыстыру үшін пайдалануға болады. Сонымен бірге, ол экспозицияны алдын ала бағалау үшін жарайды.

Берілген деректер электр құралының негізгі жұмысын көрсетеді. Алайда, егер электр құралы басқа мақсаттарда, басқа жұмыс аспаптарымен қолданылса немесе оған қанағаттандырмайтын техникалық қызмет көрсетілсе, деректер өзгеше болуы мүмкін. Осының салдарынан аспаптың бүкіл жұмыс істеу кезеңінде экспозиция айтарлықтай артуы мүмкін.

Экспозицияны дәл анықтау үшін аспап сөндірілген күйде немесе бос жұмыс істейтін уақыт аралықтарын да ескеру керек. Осының салдарынан аспаптың бүкіл жұмыс істеу кезеңінде экспозиция айтарлықтай азаюы мүмкін.

Пайдаланушыны пайда болатын шуылдан және/немесе дірілден қорғау үшін қосымша сақтық шараларын қолданыңыз, мысалы: электр аспабына және жұмыс аспаптарына техникалық қызмет көрсету, қолдардың жылуын сақтау, жұмыс процестерін дұрыс ұйымдастыру.

#### Шуылдың эмиссиялық көрсеткіші

	<b>SJT 6-A22</b>
Дыбыс күшінің деңгейі ( $L_{WA}$ )	100 дБ(A)
Дыбыс күшінің деңгейі бойынша дәлсіздік ( $K_{WA}$ )	5 дБ(A)
Дыбыс қысымының деңгейі ( $L_{pA}$ )	89 дБ(A)
Дыбыс қысымының деңгейі бойынша дәлсіздік ( $K_{pA}$ )	5 дБ(A)

#### Дірілдің жалпы көрсеткіші

	<b>SJT 6-A22</b>
Ағаш тақталарды аралау бойынша діріл эмиссиясының мәні ( $a_n, v$ )	5,0 м/с <sup>2</sup>
Ағаш жоңқалы тақталарды аралау кезіндегі дәлсіздік (K)	1,5 м/с <sup>2</sup>
Металл парақты аралау бойынша діріл эмиссиясының мәні ( $a_{n,M}$ )	7,9 м/с <sup>2</sup>
Табақ металды аралау кезіндегі дәлсіздік (K)	1,5 м/с <sup>2</sup>

## 5 Аккумулятор

Аккумулятордың жұмыс кернеуі	21,6 В
Жұмыс кезіндегі қоршаған орта температурасы	-17 °C ... 60 °C
Сақтау температурасы	-20 °C ... 40 °C
Заряптаудың басындағы аккумулятор температурасы	-10 °C ... 45 °C



**6 Жұмысқа дайындық****⚠ ЕСКЕРТУ****Жарақат алу қаупі абайсыздан қосылу себебінен!**

- ▶ Аккумуляторды орнату алдында оған қатысты өнімнің өшірілгеніне көз жеткізіңіз.
- ▶ Аспап реттеулерін орындау немесе қосалқы бөлшектерді алмастыру алдында аккумуляторды шығарыңыз.

Осы құжаттамадағы және өнімдегі қауіпсіздік және ескерту нұсқауларын орындаңыз.

**6.1 Аккумуляторды зарядтау**

1. Зарядтау алдында зарядтағыш құрылғының пайдалану бойынша нұсқаулығын оқып шығыңыз.
2. Аккумулятордағы және зарядтағыш құрылғыдағы контактілердің таза әрі құрғақ екендігіне көз жеткізіңіз.
3. Аккумуляторды рұқсат етілген зарядтағыш құрылғы ішінде зарядтаңыз. → Бет 81

**6.2 Аккумуляторды орнату****⚠ ЕСКЕРТУ****Жарақат алу қаупі қысқа тұйықталудан немесе аккумулятордың құлауынан!**

- ▶ Аккумуляторды орнату алдында аккумулятор контактілерінде және өнімдегі контактілерде бөгде заттардың жоқтығына көз жеткізіңіз.
- ▶ Аккумулятордың әркез дұрыс орнатылғанына көз жеткізіңіз.

1. Аккумуляторды алғаш рет іске қоспас бұрын зарядтаңыз.
2. Аккумуляторды өнімге шерту дыбысымен тірелгенше кіргізіңіз.
3. Аккумулятордың аспапқа берік бекітілгенін тексеріңіз.

**6.3 Аккумуляторды шығару**

1. Аккумулятордың босату түймелерін басыңыз.
2. Аккумуляторды аспаптан шығарыңыз.

**6.4 Ара төсемін орнату 2**

1. Аккумуляторды шығарыңыз.
2. Аралау төсемін (тістерімен кесу бағытында) құрал бекіткішіне (өзіне тән шырт еткен дыбысқа дейін) салыңыз.
3. Берік бекітілгеніне көз жеткізу үшін төсемді тартып көріңіз.

**6.5 Қаптаманы орнату 3**

1. Аккумуляторды шығарыңыз.
2. Қаптаманы алдыңғы жақтан өнімге қарай тірелгенше жылжытыңыз.



Қаптаманы тек тірек тақтасы қалыпты позицияда (нөл градустық реттеу) болғанда ғана орнатуға болады.

**6.6 Сорғыш адаптерді орнату 4**

1. Сорғыш адаптерді көлденеңінен артқы жақтан тірек тақтасының ішіне бекіткіш ілмектердің екеуі де бүйірде тірелгенше жылжытыңыз.
2. Шаңсорғыштың шлангісін сорғыш адаптерге жалғаңыз.

**7 Қызмет көрсету**

Осы құжаттамадағы және өнімдегі қауіпсіздік және ескерту нұсқауларын орындаңыз.



## 7.1 Шаңсорғышты пайдалану

**i** Шаңсорғыш аппарат шаң жүктемесін азайтады, кесудің жақсырақ көрерлігіне байланысты жұмыс қауіпсіздігін көтереді және шаң мен жоңқадан болатын жұмыс орнындағы жүктемелердің алдын алады.

1. Қаптаманы орнатыңыз. → Бет 84
2. Шаңның үлкен мөлшерін тудыратын ағаштан немесе басқа материалдардан жасалған бөлшектермен жұмыс істегенде әрдайым шаңсорғышты пайдаланыңыз.

## 7.2 Қосу

1. Аккумуляторды енгізіңіз.

**i** Қауіпсіздік функциясы аспап алғаш рет қосылып, аккумулятор аспап ұстағышына кіргізілген кезде аспаптың іске қосылуына жол бермейді.

Алдымен қосқыш/ажыратқышты кері және қайтадан алға қарай жылжытыңыз.

2. Өнімді қосу үшін, қосқыш/ажыратқышты алға жылжытыңыз.

## 7.3 Материалға ойып орнату

1. Маятник жүрісін реттеу тұтқасын 0 күйіне орнатыңыз.
2. Өнімді тірек тақтасының алдыңғы жиегімен дайындамаға орнатыңыз.
3. Өнімді ұстап тұрып, қосқыш/ажыратқышты басыңыз.
4. Өнімді дайындамаға қатты басып, орнату бұрышын азайту арқылы батырыңыз.
5. Дайындаманы тесіп алған жағдайда, өнімді қалыпты жұмыс күйіне қайтарыңыз.
  - ▶ Тірек тақтасы жазықтық бойынша қойылған.
6. Кесу сызығы бойынша кесуді жалғастырыңыз.

## 7.4 Өшіру

- ▶ Өнімді өшіру үшін, қосқыш/ажыратқышты артқа жылжытыңыз.

# 8 Демонтаж

## 8.1 Сорғыш адаптерді бөлшектеу

1. Бекіткіш ілмектердің екеуін де ішке басыңыз.
2. Сорғыш адаптерді тірек тақтасынан артқа қарай тартыңыз.
3. Шаңсорғыш шлангысын адаптерден ажыратыңыз.

## 8.2 Қаптаманы алып тастау

1. Аккумуляторды шығарыңыз.
2. Қаптаманы аздап еңкейтіңіз және оны алға жылжытумен алыңыз.

## 8.3 Ара төсемін шығарып тастау

### ЕСКЕРТУ

**Жарақат алу қаупі бар.** Ара төсемінің бақылаусыз шығып кетуі жарақаттануға апарып соғуы мүмкін.

- ▶ Ара төсемі шығарылған кезде өнімді адамдар не жануарлар ара төсемінің шығып кетуінен жарақат алмайтындай етіп ұстап тұрыңыз.

1. Аккумуляторды шығарыңыз.
2. Ара төсемін құлыптан босату интірегін бүйіріне тірелгенше бұраңыз.
  - ▶ Ара төсемі босатылып, шығарып тасталады.



**ЕСКЕРТУ****Аккумулятор енгізілген кезде жарақат алу қаупі бар !**

- ▶ Күтім және техникалық қызмет көрсету бойынша кез келген жұмыстарды орындамас бұрын әрдайым аккумуляторды шығарыңыз!

**Өнімге қызмет көрсету**

- Қатты жабысып қалған кірді абайлап кетіріңіз.
- Бр болса, желдету саңылауларын құрғақ, жұмсақ қылшақпен мұқият тазалаңыз.
- Корпусты сәл суланған шүберекпен ғана тазалаңыз. Ешқандай силикон қамтитын күтім құралдарын пайдаланбаңыз, себебі олар пластик бөлшектерге зақым келтіруі мүмкін.
- Өнімнің контактілерін тазалау үшін таза, құрғақ шүберекті қолданыңыз.

**Литий-иондық аккумуляторға қызмет көрсету**

- Еш жағдайда желдету саңылаулары бітелген аккумуляторды қолданбаңыз. Желдету саңылауларын құрғақ, жұмсақ қылшақпен жақсылап тазалаңыз.
- Аккумуляторға шаңның немесе кірдің қажетсіз тиюіне жол бермеңіз. Аккумуляторға қатты ылғалдың тиюіне ешқашан жол бермеңіз (мысалы, суға батыру немесе жаңбыр астына қою арқылы). Аккумулятор су болса, оны зақымдалған аккумулятор ретінде қарастырыңыз. Оны тұтанбайтын контейнерге оқшаулап, **Hilti** қызмет көрсету орталығына хабарласыңыз.
- Аккумуляторды бөгде май мен майлағыштан таза ұстаңыз. Аккумуляторда шаң не кірдің қажетсіз жиналуына жол бермеңіз. Аккумуляторды құрғақ, жұмсақ қылшақпен немесе таза, құрғақ шүберекпен тазалаңыз. Ешқандай силикон қамтитын күтім құралдарын пайдаланбаңыз, себебі олар пластик бөлшектерге зақым келтіре алады. Аккумулятордың контактілеріне тиіменіз және зауыттан тыс қолданылған майды контактілерден кетіріңіз.
- Корпусты сәл суланған шүберекпен ғана тазалаңыз. Ешқандай силикон қамтитын күтім құралдарын пайдаланбаңыз, себебі олар пластик бөлшектерге зақым келтіруі мүмкін.

**Техникалық қызмет көрсету**

- Көзге көрінетін барлық бөлшектерде зақымдардың бар-жоғын және басқару элементтерінің ақаусыз жұмысын жиі тексеріп тұрыңыз.
- Өнім зақымдалған және/немесе ақаулы болған жағдайда, оны пайдаланушы болмаңыз. Өнімді міндетті түрде **Hilti** қызмет көрсету орталығында жөндетіңіз.
- Күтім және техникалық қызмет көрсету жұмыстарынан кейін барлық қорғауыш құрылғыларды орнатып, олардың ақаусыз жұмыс істегенін тексеріңіз.



Қауіпсіз жұмысты қамтамасыз ету үшін тек түпнұсқа қосалқы бөлшектер мен шығын материалдарын қолданыңыз. **Hilti** мақұлдаған қосалқы бөлшектер, шығын материалдары мен өнімге арналған керек-жарақтар **Hilti Store** дүкенінде немесе келесі веб-сайтта қолжетімді: [www.hilti.group](http://www.hilti.group)

**9.1 Сорғыш адаптерді тазалау**

1. Аккумуляторды шығарыңыз.
2. Сорғыш адаптерді бөлшектенізі. → Бет 85
3. Сорғыш адаптерді тазалаңыз.
4. Бекіткіш ілмектердің зақымдалмағанын қадағалап тұрыңыз.
5. Сорғыш адаптерді орнатыңыз. → Бет 84

**9.2 Ара төсемдерін тазалау**

1. Пайдаланылатын ара төсемдерінен шайырды жиі кетіріңіз.
2. Ара төсемін 24 сағатқа жермайға немесе стандартты шайыр кетіргіш құралға салып қойыңыз.



## 10 Аккумуляторлық құралдар мен аккумуляторларды тасымалдау және сақтау

### Тасымалдау

#### АБАЙЛАҢЫЗ

#### Тасымалдау кезіндегі кенет іске қосылу !

- ▶ Өніміңізді әрдайым аккумуляторын шығарып алып тасымалдаңыз!
- ▶ Аккумулятор(лар)ды шығарыңыз.
- ▶ Аккумуляторларды ешқашан үймеде тасымалдамаңыз. Тасымалдау барысында аккумуляторларды шамадан артық соққы мен дірілден қорғау және олардың басқа батарея полюстерімен жанасуына және қысқа тұйықталудың туындауына жол бермеу үшін кез келген ток өткізгіш материалдардан немесе басқа аккумуляторлардан оқшаулау керек. **Аккумуляторларға арналған жергілікті тасымалдау ережелерін сақтаңыз.**
- ▶ Аккумуляторларды поштамен жіберуге болмайды. Зақымдалмаған аккумуляторларды жіберу қажет болғанда, жеткізуші кәсіпорындарға хабарласыңыз.
- ▶ Өнім мен аккумуляторларды әр пайдаланбас бұрын және ұзақ уақыт бойы тасымалдағаннан кейін зақымдардың бар-жоғын тексеріп шығыңыз.

### Сақтау

#### ЕСКЕРТУ

#### Бүлінген немесе заряды таусылған аккумуляторлардан күтілмеген зақымдалу !

- ▶ Өніміңізді әрдайым аккумуляторын шығарып алып сақтаңыз!
- ▶ Өнім мен аккумуляторларды салқын және құрғақ жерде сақтаңыз. Техникалық деректерде көрсетілген температураның шектік мәндерін ескеріңіз.
- ▶ Аккумуляторларды зарядтағыш құрылғыда сақтамаңыз. Аккумуляторды зарядтағаннан кейін әрдайым зарядтағыш құрылғыдан шығарыңыз.
- ▶ Аккумуляторларды еш жағдайда күн мен жылу көздерінің астында немесе шыны әйнек артында сақтамаңыз.
- ▶ Өнім мен аккумуляторларды балалар мен рұқсаты жоқ адамдардың қолы жетпейтін жерде сақтаңыз.
- ▶ Өнім мен аккумуляторларды әр пайдаланбас бұрын және ұзақ уақыт бойы сақтағаннан кейін зақымдардың бар-жоғын тексеріп шығыңыз.

## 11 Ақаулықтардағы көмек

Бұл кестеде келтірілмеген немесе өзіңіз түзете алмайтын ақаулықтар орын алғанда, **Hilti** қызмет көрсету орталығына хабарласыңыз.

Ақаулық	Ықтимал себеп	Шешім
Ара төсемі сыртқа шығып кетеді.	Ара төсемі дұрыс бұғатталмайды.	<ul style="list-style-type: none"> <li>▶ Созу әрекетін қайталаңыз.</li> <li>▶ Құрал бекіткіші толық ашылғанына және ара төсемі қарсылыққа қарай басылғанына көз жеткізіңіз.</li> </ul>
	Созу жүйесі ластанған.	▶ Құрал бекіткішін тазалаңыз.
Ара төсемін енгізуге болмайды.	Созу жүйесі ластанған.	▶ Құрал бекіткішін тазалаңыз.
Маятник жүрісін ауыстыруға болмайды.	Маятник иінтірегінің гайкасы ластанған.	▶ Маятник иінтірегінің гайкасын кірден тазартыңыз.
	Маятник жүрісі қызмет етпейді.	Маятник механизмі ластанған.
Аккумулятор заряды әдеттегіден жылдам бітеді.	Қоршаған орта температурасы тым төмен.	▶ Қалаулы мәнді орнатыңыз.
		▶ Аккумуляторды ұзақ уақытта бөлме температурасында жылытыңыз.



Ақаулық	Ықтимал себеп	Шешім
Аккумулятор естілетін шырты ету дыбысымен бекітілмейді.	Аккумулятордағы құлып шоқылары кірленген.	▶ Тіреуіш шығыңқы жерлерін тазалаңыз және аккумуляторды қайтадан салыңыз.
1 жарық диоды жыпықтайды. Аспап жұмыс істемейді.	Аккумулятор заряды бос.	▶ Аккумуляторды алмастырып, бос аккумуляторды зарядтаңыз.
	Аккумулятор суып немесе қызып кетті.	▶ Аккумуляторды ұзақ уақытта бөлме температурасында жылытыңыз.
Барлық 4 жарық диоды жыпылықтайды. Аспап жұмыс істемейді.	Аспапқа шамадан тыс жүктеме түсті.	▶ Қосқыш/ажыратқышты босатып, қайтадан басыңыз. Содан кейін аспапты шам. 30 секунд ішінде бос жүріс жылдамдығымен жұмыс істетіңіз.
Өнімде немесе аккумуляторда қатты жылу пайда болды.	Электр бөлігі бойынша ақаулық	▶ Аспапты бірден өшіріңіз, аккумуляторды шығарыңыз, оны қадағалап, салқындауына мүмкіндік беріңіз және <b>Hilti</b> сервис орталығына хабарласыңыз.

## 12 Көдеге жарату



### ЕСКЕРТУ

**Қағе жолмен көдеге жаратудан жарақат алу қаупі бар!** Газдардың немесе сұйықтықтардың шығуынан денсаулыққа зиян келтіру қаупі бар.

- ▶ Зақымдалған аккумуляторларды жіберуге немесе жөнелтуге болмайды!
- ▶ Қысқа тұйықталуға жол бермеу үшін, қосылымдарды ток өткізбейтін материалмен жауып қойыңыз.
- ▶ Аккумуляторларды балалардың қолына жетпейтіндей етіп көдеге жаратыңыз.
- ▶ Аккумуляторды **Hilti Store** дүкенінде көдеге жаратыңыз немесе жергілікті көдеге жарату кәсіпорнына хабарласыңыз.

**Hilti** өнімдері қайта өңдеу үшін жарамды көптеген материалдардың санынан тұрады. Көдеге жарату алдында материалдарды мұқият сұрыптау керек. Көптеген елдерде **Hilti** компаниясы ескі аспаптарды көдеге жарату үшін қабылдайды. **Hilti** қызмет көрсету орталығынан немесе дилерден сұраңыз.



- ▶ Электр құралдарды, электрондық құрылғылар мен аккумуляторларды тұрмыстық қоқыспен бірге тастамаңыз!

## 13 RoHS (зиянды заттектердің пайдаланылуын шектеу директивасы)

Төмендегі сілтемелер бойынша зиянды заттектердің кестесі берілген: [qr.hilti.com/r5212958](http://qr.hilti.com/r5212958)  
RoHS кестесінің сілтемесі осы құжаттаманың соңында QR коды ретінде берілген.

## 14 Өндіруші кепілдігі

- ▶ Кепілдік шарттары туралы сұрақтарыңыз болса, жергілікті **Hilti** серіктесіне жолығыңыз.



# Manual de utilizare original

## 1 Date referitoare la manual de utilizare

### 1.1 Referitor la acest manual de utilizare

- Citiți complet acest manual de utilizare înainte de punerea în funcțiune. Aceasta este condiția necesară pentru un lucru în siguranță și pentru o manevrare fără defecțiuni.
- Aveți în vedere indicațiile de securitate și de avertizare din acest manual de utilizare și de pe produs.
- Păstrați întotdeauna manualul de utilizare în preajma produsului și transmiteți produsul altor persoane numai împreună cu acest manual de utilizare.

### 1.2 Explicitarea simbolurilor

#### 1.2.1 Indicații de avertizare

Indicațiile de avertizare avertizează împotriva pericolelor care apar în lucrul cu produsul. Sunt utilizate următoarele cuvinte-semnal:

#### PERICOL

##### PERICOL !

- ▶ Pentru un pericol iminent și direct, care duce la vătămări corporale sau la accidente mortale.

#### ATENȚIONARE

##### ATENȚIONARE !

- ▶ Pentru un pericol iminent și posibil, care poate duce la vătămări corporale sau la accidente mortale.





#### AVERTISMENT

##### AVERTISMENT !

- ▶ Pentru o situație potențial periculoasă, care poate duce la vătămări corporale sau pagube materiale.


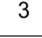


#### 1.2.2 Simboluri în documentație

În această documentație sunt utilizate următoarele simboluri:

	Citiți manualul de utilizare înainte de folosire
	Indicații de folosire și alte informații utile
	Lucrul cu materiale reutilizabile
	Nu aruncați aparatele electrice și acumulatorii în containerele de gunoi menajer

#### 1.2.3 Simboluri în imagini

Următoarele simboluri sunt utilizate în imagini:

	Aceste numere fac trimitere la imaginea respectivă de la începutul acestor instrucțiuni
	Numerotarea reflectă ordinea etapelor de lucru în imagine și poate să difere de etapele de lucru din text
	Numerele pozițiilor sunt utilizate în figura <b>Vedere generală</b> și fac trimitere la numerele din legendă în paragraful <b>Vedere generală a produsului</b>
	Acest semn are rolul de a stimula o atenție deosebită din partea dumneavoastră în lucrul cu produsul.

### 1.3 Simboluri în funcție de produs

#### 1.3.1 Simboluri pe produs

Pe produs pot fi utilizate următoarele simboluri:



$n_0$	Numărul de curse la mersul în gol
	Curent continuu
	Produsul este dublat de transmisie fără fir a datelor, care este compatibilă cu platformele iOS și Android.
Li-Ion	Acumulator Li-Ion
	Seria de tip a acumulatorului Li-Ion <b>Hilti</b> utilizat. Rugăm aveți în vedere datele din capitolul <b>Utilizarea conformă cu destinația</b> .
	Nu folosiți niciodată acumulatorul ca unealtă percutoare.
	Nu lăsați acumulatorul să cadă. Nu utilizați niciun acumulator care a suferit o lovitură sau este deteriorat într-un alt mod.

## 1.4 Informații despre produs

Produsele **HILTI** sunt destinate utilizatorilor profesioniști, iar operarea cu acestea, întreținerea și repararea lor sunt activități permise numai personalului autorizat și instruit. Acest personal trebuie să fie instruit în mod special cu privire la potențialele pericole. Produsul descris și mijloacele sale auxiliare pot genera pericole dacă sunt utilizate necorespunzător sau folosite inadecvat destinației de către personal neinstruit. Indicativul de model și numărul de serie sunt indicate pe plăcuța de identificare.

- ▶ Transcrieți numărul de serie în tabelul următor. Indicați întotdeauna aceste informații când vă adresați cu solicitări legate de produs la reprezentanța noastră sau la centrul de service.

### Date despre produs

Ferăstrău pendular pentru găuri	SJT 6-A22
Generația	01
Număr de serie	

## 1.5 Declarație de conformitate

Declarăm pe propria răspundere că produsul descris aici este conform cu directivele și normele în vigoare. O imagine a declarației de conformitate găsiți la finalul acestei documentații.

Documentațiile tehnice sunt stocate aici:

Hilti Entwicklungsgesellschaft mbH | Zulassung Geräte | Hiltistraße 6 | 86916 Kaufering, DE

## 2 Securitate

### 2.1 Instrucțiuni de ordin general privind securitatea și protecția muncii pentru sculele electrice

**⚠ ATENȚIONARE Consultați toate instrucțiunile de protecție a muncii, instrucțiunile de lucru, imaginile și datele tehnice cu care este prevăzută această sculă electrică.** Neglijențele în respectarea următoarelor instrucțiuni pot provoca electrocutări, incendii și/ sau accidente grave.

**Păstrați toate instrucțiunile de protecție a muncii și instrucțiunile de lucru pentru consultare în viitor.**

Termenul de „sculă electrică” folosit în instrucțiunile de protecție a muncii se referă la sculele cu alimentare de la rețea (cu cablu de rețea) la sculele electrice cu alimentare de la acumulatori (fără cablu de rețea).

#### Securitatea în locul de muncă

- ▶ **Mențineți curățenia și un iluminat bun în zona de lucru.** Dezordinea sau iluminatul insuficient în zona de lucru pot constitui surse de accidente.
- ▶ **Nu lucrați cu scula electrică în medii cu pericol de explozie, în care sunt prezente lichide, gaze sau pulberi inflamabile.** Sculele electrice generează scânteii care pot aprinde pulberile sau vaporii.
- ▶ **Nu permiți accesul copiilor și al altor persoane în zona de lucru pe parcursul utilizării sculei electrice.** În cazul distragerii atenției, puteți pierde controlul asupra aparatului.

#### Securitatea electrică

- ▶ **Fișa de racord a sculei electrice trebuie să se potrivească cu priza de alimentare. Orice gen de modificare a fișei este interzis. Nu folosiți niciun tip de fișe adaptatoare împreună cu scule electrice cu pământare de protecție.** Fișele nemodificate și prizele adecvate diminuează riscul de electrocutare.





- ▶ **Evitați contactul corpului cu suprafețele legate la pământ, cum ar fi țevile, sistemele de încălzire, plitele și frigiderele.** Există un risc major de electrocutare atunci când corpul se află în contact cu obiecte legate la pământ.
- ▶ **Feriți sculele electrice de influența ploii și umidității.** Pătrunderea apei în scula electrică crește riscul de electrocutare.
- ▶ **Nu utilizați cablul de legătură în scopuri pentru care nu este destinat, de exemplu pentru a transporta scula electrică, a suspenda scula electrică sau pentru a trage fișa din priză de alimentare.** Feriți cablul de legătură de influențele căldurii, uleiului, muchiilor ascuțite sau componentelor aflate în mișcare. Cablurile de legătură deteriorate sau înfășurate majorează riscul de electrocutare.
- ▶ **Dacă lucrați cu o sculă electrică în aer liber, utilizați numai cabluri prelungitoare care sunt adecvate și pentru folosirea în exterior.** Folosirea cablurilor prelungitoare adecvate lucrului în aer liber diminuează riscul de electrocutare.
- ▶ **Dacă punerea în exploatare a sculei electrice într-un mediu cu umiditate nu se poate evita, utilizați un întrerupător automat de protecție diferențial.** Utilizarea unui întrerupător automat de protecție diferențial diminuează riscul de electrocutare.

### Securitatea persoanelor

- ▶ **Procedați cu atenție, concentrați-vă la ceea ce faceți și lucrați în mod rațional atunci când manevrați o sculă electrică.** Nu folosiți nicio sculă electrică dacă sunteți obosit sau dacă vă aflați sub influența drogurilor, alcoolului sau medicamentelor. Un moment de neatenție în folosirea sculei electrice poate duce la accidentări serioase.
- ▶ **Purtați echipament personal de protecție și, întotdeauna, ochelari de protecție.** Folosirea echipamentelor personale de protecție, ca de ex. masca anti-praf, încălțăminte antiaderapantă, casca de protecție sau căștile antifonice, în funcție de tipul sculei electrice și de natura aplicației de lucru, duce la diminuarea riscului de accidentare.
- ▶ **Împiedicați pornirea involuntară a aparatului. Asigurați-vă că scula electrică este deconectată, înainte de a o racorda la alimentarea electrică și/ sau la acumulator, de a o lua din locul de lucru sau de a o transporta.** Situațiile în care transportați scula electrică ținând degetul pe întrerupător sau racordați aparatul în stare pornită la alimentarea electrică pot duce la accidente.
- ▶ **Înainte de a porni scula electrică, îndepărtați uneltele de reglaj sau cheile fixe.** Un accesoriu de lucru sau o cheie fixă, aflate într-o componentă rotativă a aparatului, pot provoca vătămări corporale.
- ▶ **Evitați o poziție anormală a corpului. Asigurați-vă o poziție stabilă și păstrați-vă întotdeauna echilibrul.** În acest fel, veți putea controla mai bine scula electrică în situații neașteptate.
- ▶ **Purtați îmbrăcăminte de lucru adecvată. Nu purtați haine largi sau bijuterii. Țineți părul, îmbrăcăminte și mânușile departe de componentele aflate în mișcare.** Îmbrăcăminte largă, bijuteriile sau părul lung pot fi prinse de piesele aflate în mișcare.
- ▶ **Dacă există posibilitatea montării unor accesorii de aspirare și captare a prafului, asigurați-vă că acestea sunt racordate și folosite corect.** Utilizarea unui sistem de aspirare a prafului poate diminua pericolul provocat de praf.
- ▶ **Nu vă bazați pe măsuri de securitate greșite și nu vă dispensați de reglementările de securitate pentru sculele electrice, chiar dacă sunteți familiarizat cu scula electrică după multiple folosiri ale acesteia.** Lucrul neatent poate duce în fracțiuni de secundă la accidentări grave.

### Utilizarea și manevrarea sculei electrice

- ▶ **Nu suprasolicitați aparatul. Folosiți scula electrică special destinată lucrării dumneavoastră.** Cu scula electrică adecvată, lucrați mai bine și mai sigur în domeniul de putere specificat.
- ▶ **Nu folosiți nicio sculă electrică având întrerupătorul defect.** O sculă electrică ce nu mai permite pornirea sau oprirea sa este periculoasă și trebuie reparată.
- ▶ **Scoateți fișa din priză și/ sau înlăturați acumulatorul dacă este detașabil, înainte de executarea unor reglaje la aparat, înlocuirea accesoriilor sau depozitarea aparatului.** Această măsură de precauție reduce riscul unei porniri involuntare a sculei electrice.
- ▶ **Păstrați sculele electrice în locuri inaccesibile copiilor, atunci când nu le utilizați. Nu permiteți folosirea aparatului de către persoane care nu sunt familiarizate cu acesta sau care nu au citit instrucțiunile de față.** Sculele electrice sunt periculoase atunci când sunt folosite de persoane fără experiență.
- ▶ **Îngrijiți sculele electrice și accesoriile cu multă atenție. Controlați funcționarea impecabilă a componentelor mobile și verificați dacă acestea nu se blochează, dacă există piese sparte sau care prezintă deteriorări de natură să influențeze negativ funcționarea sculei electrice. Dispuneți repararea pieselor deteriorate înainte de punerea în exploatare a aparatului.** Multe accidente se produc din cauza întreținerii defectuoase a sculelor electrice.



- ▶ **Păstrați accesoriile așchietoare bine ascuțite și curate.** Accesoriile așchietoare întreținute atent, cu muchii așchietoare bine ascuțite se blochează mai greu și pot fi conduse mai ușor.
- ▶ **Utilizați scula electrică, accesoriile, dispozitivele de lucru etc. corespunzător acestor instrucțiuni.** Țineți seama de condițiile de lucru și de activitatea care urmează a fi desfășurată. Folosirea unor scule electrice destinate altor aplicații de lucru decât cele prevăzute poate conduce la situații periculoase.
- ▶ **Mențineți mânerul și suprafețele mânerelor în stare uscată, curată, fără ulei și unsoare.** Mânerul și suprafețele mânerelor nu permit utilizarea și controlul sculei electrice în siguranță în situații neprevăzute, dacă sunt alunecoase.

#### Utilizarea și manevrarea sculei cu acumulatori

- ▶ **Încărcați acumulatorii numai în redresoarele recomandate de producător.** Pentru un redresor adecvat unui anumit tip de acumulatori, apare pericolul de incendiu dacă acesta este utilizat cu alți acumulatori.
- ▶ **Utilizați numai acumulatorii prevăzuți special pentru sculele electrice.** Folosirea altor acumulatori poate duce la accidentări și poate provoca pericol de incendiu.
- ▶ **Țineți acumulatorii nefolosiți la distanță de agrafele de birou, monede, chei, cuie, șuruburi sau alte obiecte metalice mici, care ar putea provoca scurtcircuitarea contactelor.** Un scurtcircuit între contactele acumulatorului poate avea ca urmări arsuri sau incendii.
- ▶ **La folosirea în mod eronat, este posibilă eliminarea de lichid din acumulatori.** Evitați contactul cu acesta. În cazul contactului accidental, spălați cu apă. Dacă lichidul ajunge în ochi, solicitați suplimentar asistență medicală. Lichidul ieșit din acumulatori poate provoca iritații ale pielii sau arsuri.
- ▶ **Nu folosiți acumulatorii deteriorați sau modificați.** Acumulatorii deteriorați sau modificați se pot comporta imprevizibil și pot provoca incendii, explozii sau pericol de accidentări.
- ▶ **Nu expuneți un acumulator la foc sau la temperaturi prea ridicate.** Focul sau temperaturile de peste 130 °C (265 °F) pot provoca o explozie.
- ▶ **Urmați toate instrucțiunile de încărcare și nu încărcați niciodată acumulatorul sau unealta cu acumulator la valori situate în afara domeniului de temperatură indicat în instrucțiunile de exploatare.** Încărcarea greșită sau încărcarea la valori în afara domeniului avizat de temperatură poate distruge acumulatorul și crește pericolul de incendiu.

#### Service

- ▶ **Încredințați repararea sculei electrice a dumneavoastră numai personalului calificat de specialitate și numai în condițiile folosirii pieselor de schimb originale.** În acest fel, este garantată menținerea siguranței de exploatare a aparatului.
- ▶ **Nu executați niciodată lucrări de întreținere la un acumulator deteriorat.** Toate lucrările de întreținere la acumulatori se vor executa numai de către producător sau de centrele de asistență pentru clienți, împuternicite de producător.

## 2.2 Instrucțiuni de protecție a muncii pentru tăierea cu un ferăstrău cu pânză care execută mișcare oscilatorie

- ▶ **Țineți scula electrică de suprafețele izolate ale mânerelor, când executați lucrări în care dispozitivul de lucru poate întâlni conductori electrici ascunși.** Contactul cu un conductor parcurs de curent poate pune sub tensiune și piesele metalice ale mașinii și poate duce la electrocutări.
- ▶ **Fixați și asigurați accesoriul de lucru cu menghină sau într-un alt mod pe o suprafață-suport stabilă.** Dacă țineți piesa care se prelucrează numai cu mâna sau presată pe corpul dumneavoastră, ea rămâne într-o poziție labilă, ceea ce poate duce la pierderea controlului.

## 2.3 Instrucțiuni suplimentare de protecție a muncii

#### Securitatea persoanelor

- ▶ Utilizați aparatul numai în stare tehnică impecabilă.
- ▶ Nu efectuați niciodată intervenții neautorizate sau modificări la aparat.
- ▶ Țineți mânerul uscat și curat.
- ▶ Pe parcursul utilizării aparatului, purtați ochelari de protecție, căști antifonice și mănuși de protecție adecvate.
- ▶ Purtați mănuși de protecție la schimbarea dispozitivului de lucru. Atingerea dispozitivului de lucru poate duce la vătămări prin tăiere și arsuri.
- ▶ Utilizați o apărătoare pentru ochi. Materialul sub formă de așchii poate produce vătămări ale corpului și ochilor.
- ▶ Nu priviți direct în elementul de iluminat (LED) și nu iluminați în față alte persoane. Apare pericol de orbire.



- ▶ Înainte de începerea lucrului stabiliți clasa de pericolozitate a materialului pulverulent care se formează în timpul lucrărilor. Utilizați un aspirator de praf industrial cu clasificare a clasei de protecție avizată oficial, care corespunde dispozițiilor locale cu privire la protecția împotriva prafului.
- ▶ Asigurați o aerisire bună a locului de muncă și purtați, dacă este cazul, o mască de protecție a respirației, adecvată pentru praful respectiv. Atingerea sau inhalarea pulberii poate provoca reacții alergice și/ sau afecțiuni ale căilor respiratorii ale utilizatorului sau ale persoanelor aflate în apropiere. Anumite categorii de pulbere cum ar fi praful din lemn de stejar sau de fag sunt considerate drept cancerigene, în special în combinație cu substanțele suplimentare pentru tratarea lemnului (cromați, substanțe de protecție a lemnului). Manevrarea materialului care conține azbest este permisă numai persoanelor cu pregătire de specialitate.
- ▶ Faceți pauze de lucru și exerciții pentru îmbunătățirea circulației sanguine în degetele dumneavoastră. În cazul lucrărilor lungi, din cauza vibrațiilor sunt posibile tulburări la nivelul vaselor sanguine sau al sistemului nervos în degete, mâini sau articulațiile mâinilor.

#### Securitatea electrică

- ▶ Verificați înainte de începerea lucrului dacă în zona de lucru există conductori electrici, conducte de gaz și țevi de apă acoperite. Piese metalice de pe exteriorul aparatului pot cauza o electrocutare dacă deteriorați accidental un conductor electric.

#### Manevrarea și folosirea cu precauție a sculelor electrice

- ▶ Asigurați piesa care se prelucrează. O piesă imobilizată cu dispozitive de prindere sau cu menghina este menținută mai în siguranță decât numai cu mâna.

#### Instrucțiunile speciale de protecție a muncii pentru ferăstraiele pendulare verticale

- ▶ În cursul lucrărilor de tăiere cu ferăstrăul, conduceți întotdeauna produsul în sensul distanțării de corp.
- ▶ Nu țineți niciodată mâinile în fața pânzei de ferăstrău sau pe aceasta.
- ▶ Nu tăiați cu ferăstrăul materiale de bază necunoscute și mențineți calea de tăiere în partea de sus și în cea de jos liberă de obstacole.
- ▶ Pe parcursul tăierii cu ferăstrăul, nu atingeți zona de sub piesă.

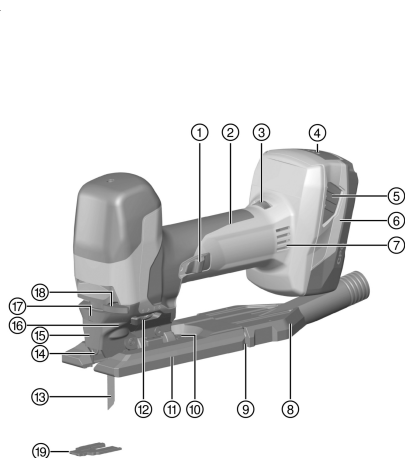
### 2.4 Manevrarea și folosirea cu precauție a acumulatorilor

- ▶ Respectați directivele speciale pentru transportul, depozitarea și exploatarea acumulatorilor Li-Ion.
- ▶ Feriți acumulatorii de influența temperaturilor înalte, de expunere directă la soare și de foc.
- ▶ Nu este permisă dezmembrarea, strivirea, încălzirea la peste 80°C (176°F) sau arderea acumulatorilor.
- ▶ Nu utilizați sau încărcați niciun acumulator care a suferit o lovitură, a căzut de la peste un metru sau a fost deteriorat într-un alt mod. În acest caz, luați legătura cu întotdeauna cu **Hilti Service**.
- ▶ Dacă acumulatorul se înfierbântă prea puternic pentru a putea fi ținut în mână, este posibil ca el să fie defect. Așezați acumulatorul într-un loc vizibil, fără pericol de incendiu, la o distanță suficientă față de materialele inflamabile. Lăsați acumulatorul să se răcească. Dacă acumulatorul este încă prea fierbinte pentru a putea fi ținut în mână după o oră, atunci el este defect. Luați legătura cu centrul de **service Hilti**.



### 3 Descriere

#### 3.1 Vedere generală a produsului



- ① Comutator de pornire/ oprire
- ② Mâner
- ③ Rotiță pentru reglarea numărului de curse
- ④ Indicatorul stării de încărcare a acumulatorului
- ⑤ Tasta pentru deblocare pentru acumulator
- ⑥ Acumulator
- ⑦ Fante de aerisire
- ⑧ Adaptor pentru aspirare
- ⑨ Cârlig de fixare
- ⑩ Gradație pentru reglajul unghiului de tăiere
- ⑪ Placă de bază
- ⑫ Manetă pentru reglaje ale cursei pendulare
- ⑬ Pânză de ferăstrău
- ⑭ Protecție împotriva atingerii
- ⑮ Apărătoare
- ⑯ Mandrina
- ⑰ Lampă cu LED-uri
- ⑱ Manetă pentru deblocarea pânzei de ferăstrău
- ⑲ Protecție împotriva așchiilor

#### 3.2 Utilizarea conformă cu destinația

Produsul descris este un ferăstrău pendular cu dirijare manuală și cu alimentare de la acumulatori. El este destinat tăierii cu ferăstrăul a materialului plastic, lemnului și materialelor metalice, precum și plăcilor de gips și fibră.

Produsul este echipat cu un ștuț de racord detașabil pentru un aspirator de praf opțional, conceput pentru furtunurile de aspiratoare uzuale. Pentru a îmbina furtunul de aspirare cu produsul, poate fi necesar un adaptor potrivit.

- ▶ Utilizați pentru acest produs numai acumulatori Li-Ion **Hilti** din seria de tip B 22.
- ▶ Utilizați pentru acești acumulatori numai redresoarele **Hilti** din seria C4/36.
- ▶ Utilizați pentru acest produs numai pânze de ferăstrău cu tijă de susținere T (coadă cu o camă).

#### 3.3 Posibilă folosire greșită

- Nu este permis ca produsul să fie utilizat pentru tăierea de crengi și trunchiuri.
- Nu este permis ca produsul să fie utilizat pentru prelucrarea materialelor nocive pentru sănătate.
- Nu este permis ca produsul să fie utilizat pentru lucrări într-un mediu umed.

#### 3.4 Indicatorul stării de încărcare

Starea de încărcare a acumulatorului Li-Ion este indicată după o ușoară apăsare a unei taste/ a tastei pentru deblocare (maxim până când sesizați rezistență).

Starea	Semnificație
4 LED-uri se aprind.	Starea de încărcare: 75 % până la 100 %
3 LED-uri se aprind.	Starea de încărcare: 50 % până la 75 %
2 LED-uri se aprind.	Starea de încărcare: 25 % până la 50 %
1 LED se aprinde.	Starea de încărcare: 10 % până la 25 %



Starea	Semnificație
1 LED se aprinde intermitent.	Starea de încărcare: < 10 %



Când comutatorul de comandă este acționat și până la 5 secunde după eliberarea comutatorului de comandă, apelarea stării de încărcare nu este posibilă. Dacă LED-urile indicatorului stării de încărcare a acumulatorului se aprind intermitent, vă rugăm să consultați indicațiile din capitolul Asistență în caz de avarii.

### 3.5 Dispozitivul de suflare a materialului așchiat

Dispozitivul de suflare a materialului așchiat dirijează un curent de aer către pânda de ferăstrău pentru a elibera linia de tăiere de materialul așchiat.

### 3.6 Frecvența curselor

Frecvența curselor poate fi reglată de la roțița de reglare. Poziția 1 corespunde cu 800 curse pe minut și poziția 6 corespunde cu 3000 curse pe minut.

### 3.7 Pendularea în 4 trepte

Randamentul de tăiere și forma tăieturii în materialul de prelucrat pot fi modificate prin intermediul pendulării în 4 trepte. Comutarea între cele 4 trepte se efectuează cu ajutorul manetei pentru reglarea cursei pendulare. Cu cât marginea tăieturii trebuie să fie mai precisă și mai fină, cu atât mai redusă trebuie să alegeți treapta de pendulare. Reglarea optimă poate fi determinată prin încercări.

Starea	Semnificație
Treapta 0	pendulare oprită
Treapta 1	pendulare redusă
Treapta 2	pendulare medie
Treapta 3	Pendulare mare

### 3.8 Protecție împotriva așchiilor

Produsul poate fi echipat cu o apărătoare antirupere pentru așchii.

Apărătoarea antirupere pentru așchii împiedică ruperea suprafeței la tăierea cu ferăstrăul a materialelor lemnoase.

### 3.9 Deconectarea automată a aparatului

Imediat ce comutatorul de pornire/oprire este apăsat neîntrerupt un timp mai lung de 15 minute (de ex. la transport sau la depozitare), aparatul va fi deconectat automat. Ca urmare, este împiedicată descărcarea puternică a acumulatorului.

### 3.10 Setul de livrare

Ferăstrău pendular cu pânda de ferăstrău, apărătoare, adaptor pentru aspirare, apărătoare antirupere așchii, manual de utilizare, cheie imbus.

Alte produse din sistem, avizate pentru produsul dumneavoastră, găsiți la centrul dumneavoastră **Hilti** sau online la: [www.hilti.com](http://www.hilti.com)

## 4 Date tehnice

### 4.1 Ferăstrău pendular pentru găuri

	SJT 6-A22
Tensiunea nominală	21,6 V
Greutate conform EPTA Procedure 01 inclusiv acumulator B228.0	3,2 kg
Înălțimea cursei	28 mm
Numărul de curse la mersul în gol (n <sub>0</sub> )	800 rot/min ... 3.000 rot/min



	<b>SJT 6-A22</b>
<b>Randament de tăiere maxim în lemn</b>	150 mm
<b>Randament de tăiere maxim în aluminiu</b>	25 mm
<b>Randament de tăiere maxim în oțel nealiat</b>	10 mm
<b>Unghi de tăiere (stânga/dreapta)</b>	0° ... 45°
<b>Diametrul exterior al adaptorului pentru aspirare</b>	27,5 mm
<b>Temperatura de depozitare</b>	-20 °C ... 70 °C
<b>Temperatura ambiantă în timpul funcționării</b>	-17 °C ... 60 °C
<b>Temperatura acumulatorului la începutul încărcării</b>	-10 °C ... 45 °C
<b>Temperatura de depozitare</b>	-20 °C ... 40 °C
<b>Temperatura ambiantă în timpul funcționării</b>	-17 °C ... 60 °C

#### 4.2 Datele privind zgomotul și valorile vibrațiilor conform EN 62841

Valorile presiunii acustice și ale vibrațiilor indicate în aceste instrucțiuni au fost măsurate corespunzător unui procedeu standardizat de măsură și pot fi utilizate pentru compararea reciprocă a sculelor electrice. Ele sunt adecvate și pentru o apreciere provizorie a valorilor de expunere.

Datele indicate se referă la aplicațiile principale de lucru ale sculei electrice. Firește că, dacă scula electrică este utilizată pentru alte aplicații de lucru cu dispozitive de lucru neprevăzute sau cu o întreținere insuficientă, datele pot să difere. Acest lucru poate ridica în mod considerabil valorile de expunere pe întreaga durată de lucru.

Pentru o apreciere exactă a valorilor de expunere, trebuie să se ia în calcul și timpii în care aparatul este deconectat sau în care el funcționează, dar nu execută efectiv nicio activitate. Acest lucru poate reduce în mod considerabil valorile de expunere pe întreaga durată de lucru.

Stabiliți măsuri de securitate suplimentare pentru protecția operatorului față de efectele sonore și ale vibrațiilor, ca de exemplu: întreținerea sculei electrice și a dispozitivelor de lucru, menținerea mâinilor în stare caldă, organizarea proceselor de lucru.

#### Valorile emisiei de zgomot

	<b>SJT 6-A22</b>
<b>Nivelul puterii acustice (<math>L_{WA}</math>)</b>	100 dB(A)
<b>Insecuritatea pentru nivelul puterii acustice (<math>K_{WA}</math>)</b>	5 dB(A)
<b>Nivel presiunii acustice (<math>L_{pA}</math>)</b>	89 dB(A)
<b>Insecuritatea pentru nivelul presiunii acustice (<math>K_{pA}</math>)</b>	5 dB(A)

#### Valori totale ale vibrațiilor

	<b>SJT 6-A22</b>
<b>Valoarea emisiei vibrațiilor la tăierea cu ferăstrăul a plăcilor din lemn (<math>a_{n,B}</math>)</b>	5,0 m/s <sup>2</sup>
<b>Insecuritatea la tăierea cu ferăstrăul a plăcilor aglomerate (K)</b>	1,5 m/s <sup>2</sup>
<b>Valoarea emisiei vibrațiilor la tăierea cu ferăstrăul a foilor metalice (<math>a_{n,M}</math>)</b>	7,9 m/s <sup>2</sup>
<b>Insecuritatea la tăierea cu ferăstrăul a tablei metalice (K)</b>	1,5 m/s <sup>2</sup>

## 5 Acumulator

<b>Tensiunea de lucru a acumulatorului</b>	21,6 V
<b>Temperatura ambiantă în timpul funcționării</b>	-17 °C ... 60 °C
<b>Temperatura de depozitare</b>	-20 °C ... 40 °C
<b>Temperatura acumulatorului la începutul încărcării</b>	-10 °C ... 45 °C



## 6 Pregătirea lucrului

### ATENȚIONARE

#### Pericol de accidentare Prin pornirea involuntară!

- ▶ Înainte de introducerea acumulatorului, asigurați-vă că produsul aferent este deconectat.
- ▶ Înlăturați acumulatorul înainte de a realiza reglaje la mașină sau de a schimba accesorii.

Aveți în vedere indicațiile de securitate și de avertizare din această documentație și de pe produs.

### 6.1 Încărcarea acumulatorului

1. Înainte de încărcare, citiți manualul de utilizare al redresorului.
2. Aveți în vedere ca la contactele acumulatorului și ale redresorului să existe curățenție și acestea să fie uscate.
3. Încărcați acumulatorul într-un redresor avizat. → Pagina 94

### 6.2 Introducerea acumulatorului

### ATENȚIONARE

#### Pericol de accidentare Prin scurtcircuit sau căderea acumulatorului!

- ▶ Înainte de introducerea acumulatorului, asigurați-vă că la contactele acumulatorului și la contactele de pe produs nu există corpuri străine.
- ▶ Asigurați-vă că acumulatorul este întotdeauna fixat corect în poziție.

1. Încărcați acumulatorul complet înainte de prima punere în funcțiune.
2. Introduceți prin glisare acumulatorul în produs până când acesta se înclichetează cu zgomotul caracteristic.
3. Controlați stabilitatea acumulatorului.

### 6.3 Îndepărtarea acumulatorului

1. Apăsăți tastele pentru deblocare ale acumulatorului.
2. Trageți acumulatorul afară din mașină.

### 6.4 Introducerea pânzei de ferăstrău

1. Scoateți acumulatorul.
2. Apăsăți pânza de ferăstrău (cu dinții în sensul de tăiere) în mandrină, până când se înclichetează.
3. Controlați blocarea pânzei de ferăstrău, trăgând de aceasta.

### 6.5 Așezarea apărătorii

1. Scoateți acumulatorul.
2. Introduceți prin glisare apărătoarea pe aparat prin produs, până când se fixează.



Apărătoarea poate fi așezată numai dacă placa de bază se află în poziția normală (poziția de zero grade).

### 6.6 Montarea adaptorului pentru aspirare


1. Introduceți prin glisare adaptorul pentru aspirare din spate orizontal în placa de bază, până când cele două cârlige de fixare sunt immobilizate în poziție în lateral.
2. Racordați furtunul aspiratorului de praf la adaptorul pentru aspirare.

## 7 Modul de utilizare

Aveți în vedere indicațiile de securitate și de avertizare din această documentație și de pe produs.




## 7.1 Utilizarea sistemului de aspirare a prafului

 Sistemul de aspirare reduce praful, crește securitatea muncii prin ameliorarea vizibilității asupra tăieturii și împiedică acumulările de praf și material așchiat la locul de muncă.

1. Așezați apărătoarea. → Pagina 97
2. Folosiți întotdeauna un sistem de aspirare a prafului dacă prelucrați o perioadă mai îndelungată lemn sau materiale care pot produce concentrații ridicate de praf.

## 7.2 Conectarea

1. Introduceți acumulatorul.

 Printr-o funcție de siguranță sunt asigurate condițiile ca aparatul să nu pornească dacă este conectat mai întâi aparatul și apoi este introdus acumulatorul în suportul aparatului.  
Mai întâi împingeți comutatorul de pornire/ oprire din nou înapoi și apoi din nou spre înainte.

2. Pentru conectarea produsului, glisați comutatorul de pornire/ oprire spre partea frontală.

## 7.3 Străpungerea cu ferăstrăul

1. Comutați maneta pentru reglarea cursei pendulare în poziția 0.
2. Așezați produsul cu marginea anterioară a plăcii de bază pe piesa care se prelucrează.
3. Țineți ferm produsul și apăsați comutatorul de pornire/oprire.
4. Apăsați ferm produsul pe piesa care se prelucrează și penetrați prin reducerea unghiului de sprijin.
5. După ce ați străpuns piesa care se prelucrează, aduceți produsul în poziția de lucru normală.
  - ▶ Placa de bază se sprijină cu toată suprafața.
6. Continuați să tăiați în lungul liniei de tăiere.

## 7.4 Deconectarea

- ▶ Pentru deconectarea produsului, glisați comutatorul de pornire/ oprire spre partea posterioară.

## 8 Demontarea

### 8.1 Demontarea adaptorului pentru aspirare

1. Apăsați cele două cârlige de fixare spre interior.
2. Desprindeți adaptorul pentru aspirare de la placa de bază spre partea posterioară.
3. Scoateți furtunul aspiratorului de praf de pe adaptorul pentru aspirare.

### 8.2 Detașarea apărătorii

1. Scoateți acumulatorul.
2. Încălinați ușor apărătoarea și trageți-o către partea frontală.

### 8.3 Ejectarea pânzei de ferăstrău

#### ATENȚIONARE

**Pericol de accidentare.** Ejectarea necontrolată a pânzei de ferăstrău poate duce la accidentări.

- ▶ La ejectarea pânzei de ferăstrău, țineți produsul astfel încât nicio persoană sau niciun animal să nu sufere vătămări prin această acțiune.

1. Scoateți acumulatorul.
2. Pivotați lateral maneta dispozitivului de deblocare a pânzei de ferăstrău până la opritor.
  - ▶ Pânza de ferăstrău va fi eliberată și ejectată.





## 9 Îngrijirea și întreținerea



### ATENȚIONARE

**Pericol de accidentare când acumulatorul este introdus !**

- ▶ Înaintea tuturor lucrărilor de îngrijire și întreținere, extrageți întotdeauna acumulatorul!

#### Îngrijirea produsului

- Îndepărtați cu precauție murdăria aderentă.
- Dacă există, curățați cu precauție fantele de aerisire, folosind o perie uscată și moale.
- Curățați carcasa numai cu o cârpă ușor umezită. Nu utilizați produse de îngrijire care conțin silicon, deoarece acestea pot ataca piesele din plastic.
- Utilizați o cârpă curată și uscată, pentru a curăța contactele produsului.

#### Îngrijirea acumulatorilor Li-Ion

- Nu utilizați niciodată un acumulator cu fantele de aerisire astupate. Curățați fantele de aerisire cu multă atenție, folosind o perie uscată și moale.
- Evitați expunerea inutilă a acumulatorului la praf sau murdărie. Nu expuneți niciodată acumulatorul la umiditate ridicată (de ex. prin scufundare în apă sau lăsarea lui în ploaie). Dacă un acumulator este pătruns de umiditate, tratați-l ca pe un acumulator deteriorat. Izolați-l într-un recipient neinflamabil și adresați-vă centrului de service **Hilti**.
- Păstrați acumulatorul fără urme de ulei și unsoare de altă proveniență. Nu permiteți ca praful sau murdăria să se acumuleze inutil pe acumulator. Curățați acumulatorul cu o perie uscată și moale sau cu o cârpă curată și uscată. Nu utilizați produse de îngrijire care conțin silicon, deoarece acestea pot ataca piesele din plastic.  
Nu atingeți contactele acumulatorului și nu îndepărtați unsoarea aplicată din fabricație de pe contacte.
- Curățați carcasa numai cu o cârpă ușor umezită. Nu utilizați produse de îngrijire care conțin silicon, deoarece acestea pot ataca piesele din plastic.

#### Întreținerea

- Verificați regulat la toate piesele vizibile dacă există deteriorări și funcționarea impecabilă a elementelor de comandă.
- În caz de deteriorări și/ sau disfuncționalități, nu puneți produsul în exploatare. Dispuneți urgent repararea produsului la centrul de service de la **Hilti**.
- După lucrările de îngrijire și întreținere, atașați toate dispozitivele de protecție și verificați funcționarea impecabilă a acestora.



Pentru o exploatare sigură utilizați numai piese de schimb și materiale consumabile originale. Piese de schimb, materiale consumabile și accesorii avizate de **Hilti** pentru produs găsiți la centrul dumneavoastră **Hilti Store** sau la: [www.hilti.group](http://www.hilti.group)

### 9.1 Curățarea adaptorului pentru aspirare

1. Scoateți acumulatorul.
2. Demontați adaptorul pentru aspirare. → Pagina 98
3. Curățați adaptorul pentru aspirare.
4. Controlați starea nedeteriorată a cârligelor de fixare.
5. Montați adaptorul pentru aspirare. → Pagina 97

### 9.2 Curățarea pânzelor de ferăstrău

1. Curățați regulat rășina de pe pânzele de ferăstrău folosite.
2. Introduceți pânzele de ferăstrău timp de 24 ore în petrol sau agent uzual din comerț pentru îndepărtarea rășinii.



## 10 Transportul și depozitarea accesoriilor de lucru cu acumulator și a acumulatorilor

### Transportul

#### AVERTISMENT

#### Pornire involuntară la transport !

- ▶ Transportați întotdeauna produsele dumneavoastră fără acumulatori introduși!
- ▶ Extrageți acumulatorul/ acumulatorii.
- ▶ Nu transportați niciodată acumulatorii în vrac. Pe parcursul transportului, acumulatorii trebuie protejați împotriva șocurilor și vibrațiilor excesive și izolați de orice materiale conductoare electric sau de alți acumulator, astfel încât să nu ajungă în contact cu alte borne de baterie și să cauzeze un scurtcircuit.  
**Aveți în vedere prescripțiile de transport locale, valabile pentru acumulatori în zona dumneavoastră.**
- ▶ Trimiterea acumulatorilor prin poștă nu este permisă. Adresați-vă unei companii de expediție dacă doriți să trimiteți acumulatori nedeteriorați.
- ▶ Controlați înainte de fiecare utilizare, precum și înaintea unui transport lung și după acesta, dacă produsul și acumulatorii prezintă deteriorări.

### Depozitarea

#### ATENȚIONARE

#### Deteriorare involuntară cauzată de acumulatori defecți sau din care iese lichid !

- ▶ Depozitați întotdeauna produsele dumneavoastră fără acumulatori introduși!
- ▶ Depozitați produsul și acumulatorii în spații răcoroase și uscate. Aveți în vedere valorile limită de temperatură, indicate în Date tehnice.
- ▶ Nu păstrați acumulatorii în redresor. Scoateți întotdeauna acumulatorul de la redresor după procesul de încărcare.
- ▶ Nu depozitați niciodată acumulatorii în soare, pe surse de căldură sau în spatele geamurilor de sticlă.
- ▶ Depozitați produsul și acumulatorii în spații inaccesibile pentru copii și pentru persoanele neautorizate.
- ▶ Controlați înainte de fiecare utilizare, precum și înaintea unei depozitări lungi și după aceasta, dacă produsul și acumulatorii prezintă deteriorări.

## 11 Asistență în caz de avarii

În cazul avariilor care nu sunt prezentate în acest tabel sau pe care nu le puteți remedia prin mijloace proprii, vă rugăm să vă adresați centrul nostru de service **Hilti**.

Avarie	Cauza posibilă	Soluție
Pânza de ferăstrău cade în exterior.	Pânza de ferăstrău nu este blocată corect.	<ul style="list-style-type: none"> <li>▶ Repetați procedeul de tensionare.</li> <li>▶ Aveți în vedere ca mandrina să fie deschisă complet și pânza de ferăstrău să fie apăsată în sens contrar rezistenței.</li> </ul>
	Sistemul de tensionare murdărit.	▶ Curățați mandrina.
Pânza de ferăstrău nu poate fi introdusă.	Sistemul de tensionare murdărit.	▶ Curățați mandrina.
Cursa pendulară nu se poate corecta.	Canelura pârgchiei pendulului murdărită.	▶ Curățați de impurități canelura pârgchiei pendulului.
Cursa pendulară nu funcționează.	Mecanismul de pendulare murdărit.	▶ Verificați dacă în zona furcii de pendulare există murdărie, îndepărtați-o.
	Pârghia pentru cursa pendulară este în poziția "0".	▶ Reglați valoarea dorită.
Acumulatorul se descarcă mai rapid decât în mod obișnuit.	Temperatura ambiantă foarte scăzută.	▶ Lăsați acumulatorul să se încălzească lent la temperatura camerei.



Avarie	Cauza posibilă	Soluție
Acumulatorul nu se fixează cu zgomotul caracteristic de „clic”.	Ciocurile de fixare de la acumulator sunt murdărite.	► Curățați ciocurile de fixare și introduceți acumulatorul din nou.
1 LED se aprinde intermitent. Aparatul nu funcționează.	Acumulatorul este descărcat.	► Schimbați acumulatorul și încărcați acumulatorul gol.
	Acumulatorul este prea rece sau prea fierbinte.	► Lăsați acumulatorul să se încălzească sau să se răcească lent la temperatura camerei.
Toate 4 LED-urile se aprind intermitent. Aparatul nu funcționează.	Aparatul este suprasolicitat.	► Eliberați comutatorul de pornire/oprire și acționați-l din nou. Apoi lăsați aparatul aprox. 30 secunde în regim de mers în gol.
Dezvoltare de căldură excesivă în produs sau în acumulator.	Defect electric	► Deconectați mașina imediat, extrageți acumulatorul, examinați-l, lăsați-l să se răcească și luați legătura cu centrul de service <b>Hilti</b> .

## 12 Dezafectarea și evacuarea ca deșeuri

### ATENȚIONARE

**Pericol de accidentare prin defazectarea și evacuarea improprie a deșeurilor!** Pericole pentru sănătate din cauza ieșirii de gaze sau lichide.

- Nu expediați sau trimiteți niciun acumulator deteriorat!
- Acoperiți racordurile cu un material neconductor electric, pentru a evita scurtcircuitele.
- Evacuați ca deșeu acumulatorii astfel încât ei să nu poată ajunge în mâinile copiilor.
- Evacuați acumulatorul ca deșeu la magazinul dumneavoastră **Hilti Store** sau adresați-vă companiei responsabile cu deșeurile din zona dumneavoastră.

Produsele **Hilti** sunt fabricate într-o proporție mare din materiale reutilizabile. Condiția necesară pentru reciclare este separarea corectă a materialelor. În multe țări, **Hilti** preia înapoi mașina dumneavoastră vechi pentru valorificare. Solicitați informații de la centrul pentru clienți **Hilti** sau de la consilierul dumneavoastră de vânzări.



- Nu aruncați sculele electrice, aparatele electronice și acumulatorii în containerele de gunoi menajer!

## 13 RoHS (directiva privind limitarea utilizării substanțelor periculoase)

Sub link-ul următor găsiți tabelul substanțelor periculoase: [qr.hilti.com/r5212958](http://qr.hilti.com/r5212958)

Un link referitor la tabelul RoHS găsiți la finalul acestei documentații sub formă de cod QR.

## 14 Garanția producătorului

- Pentru relații suplimentare referitoare la condițiile de garanție legală, vă rugăm să vă adresați partenerului dumneavoastră local **Hilti**.



# Πρωτότυπες οδηγίες χρήσης

## 1 Στοιχεία για τις οδηγίες χρήσης

### 1.1 Σχετικά με τις παρούσες οδηγίες χρήσης

- Πριν από την πρώτη θέση σε λειτουργία διαβάστε αυτές τις οδηγίες χρήσης. Αποτελεί προϋπόθεση για ασφαλή εργασία και απρόσκοπτο χειρισμό.
- Προσέξτε τις υποδείξεις ασφαλείας και προειδοποίησης στις παρούσες οδηγίες χρήσης και στο προϊόν.
- Φυλάξτε τις οδηγίες χρήσης πάντα στο προϊόν και δίνετε το προϊόν σε άλλα πρόσωπα μόνο μαζί με αυτές τις οδηγίες.

### 1.2 Επεξήγηση συμβόλων

#### 1.2.1 Υποδείξεις προειδοποίησης

Οι υποδείξεις προειδοποίησης προειδοποιούν από κινδύνους κατά την εργασία με το προϊόν. Χρησιμοποιούνται οι ακόλουθες λέξεις επισήμανσης:



**ΚΙΝΔΥΝΟΣ**

#### ΚΙΝΔΥΝΟΣ !

- ▶ Για μια άμεσα επικίνδυνη κατάσταση, που οδηγεί σε σοβαρό ή θανατηφόρο τραυματισμό.



**ΠΡΟΕΙΔΟΠΟΙΗΣΗ**

#### ΠΡΟΕΙΔΟΠΟΙΗΣΗ !

- ▶ Για μια πιθανά επικίνδυνη κατάσταση, που μπορεί να οδηγήσει σε σοβαρό ή θανατηφόρο τραυματισμό.



**ΠΡΟΣΟΧΗ**

#### ΠΡΟΣΟΧΗ !

- ▶ Για μια πιθανόν επικίνδυνη κατάσταση, που ενδέχεται να οδηγήσει σε τραυματισμούς ή υλικές ζημιές.

#### 1.2.2 Σύμβολα στην τεκμηρίωση

Στην παρούσα τεκμηρίωση χρησιμοποιούνται τα ακόλουθα σύμβολα:

	Πριν από τη χρήση διαβάστε τις οδηγίες χρήσης
	Υποδείξεις χρήσης και άλλες χρήσιμες πληροφορίες
	Χειρισμός ανακυκλώσιμων υλικών
	Μην πετάτε τα ηλεκτρικά εργαλεία και τις μπαταρίες στον κάδο οικιακών απορριμμάτων

#### 1.2.3 Σύμβολα σε εικόνες

Στις εικόνες χρησιμοποιούνται τα ακόλουθα σύμβολα:

	Αυτοί οι αριθμοί παραπέμπουν στην εκάστοτε εικόνα στην αρχή αυτών των οδηγιών
	Η αρίθμηση δείχνει τη σειρά των βημάτων εργασίας στην εικόνα και ενδέχεται να διαφέρει από τα βήματα εργασίας στο κείμενο
	Οι αριθμοί θέσης χρησιμοποιούνται στην εικόνα <b>Επισκόπηση</b> και παραπέμπουν στους αριθμούς του υπομνήματος στην ενότητα <b>Συνοπτική παρουσίαση προϊόντος</b>
	Αυτό το σύμβολο έχει σκοπό να επιστήσει ιδιαίτερα την προσοχή σας κατά την εργασία με το προϊόν.

### 1.3 Σύμβολα ανάλογα με το προϊόν

#### 1.3.1 Σύμβολα στο προϊόν

Στο προϊόν μπορεί να χρησιμοποιούνται τα ακόλουθα σύμβολα:



$n_0$	Αριθμός εμβολισμών χωρίς φορτίο
==	Συνεχές ρεύμα
	Το προϊόν υποστηρίζει ασύρματη μεταφορά δεδομένων, που είναι συμβατή με τις πλατφόρμες iOS και Android.
Li-Ion	Επαναφορτιζόμενη μπαταρία Li-Ion
	Σειρά τύπου επαναφορτιζόμενης μπαταρίας Li-Ion <b>Hilti</b> . Προσέξτε τα στοιχεία στο κεφάλαιο <b>Κατάλληλη χρήση</b> .
	Μην χρησιμοποιείτε την επαναφορτιζόμενη μπαταρία ποτέ ως κρουστικό εργαλείο.
	Μην αφήνετε την επαναφορτιζόμενη μπαταρία να πέσει κάτω. Μην χρησιμοποιείτε μια επαναφορτιζόμενη μπαταρία, η οποία έχει δεχτεί χτύπημα ή έχει υποστεί ζημιά με διαφορετικό τρόπο.

#### 1.4 Πληροφορίες προϊόντος

Τα προϊόντα της **HILTI** προορίζονται για τον επαγγελματία χρήστη και ο χειρισμός, η συντήρηση και η επισκευή τους επιτρέπεται μόνο από εξουσιοδοτημένο, ενημερωμένο προσωπικό. Το προσωπικό αυτό πρέπει να έχει ενημερωθεί ειδικά για τους κινδύνους που ενδέχεται να παρουσιαστούν. Από το περιγραφόμενο προϊόν και τα βοηθητικά του μέσα ενδέχεται να προκληθούν κίνδυνοι, όταν ο χειρισμός τους γίνεται με ακατάλληλο τρόπο από μη εκπαιδευμένο προσωπικό ή όταν δεν χρησιμοποιούνται με κατάλληλο τρόπο.

Η περιγραφή τύπου και ο αριθμός σειράς αναγράφονται στην πινακίδα τύπου.

- ▶ Αντιγράψτε τον αριθμό σειράς στον ακόλουθο πίνακα. Αναφέρετε πάντα αυτές τις πληροφορίες κάθε φορά που απευθύνεστε με ερωτήματα για το προϊόν στην αντιπροσωπεία μας ή στο σέρβις.

##### Στοιχεία προϊόντος

Πριόνι με κυκλική παλινδρόμηση	SJT 6-A22
Γενιά	01
Αρ. σειράς	

#### 1.5 Δήλωση συμμόρφωσης

Δηλώνουμε ως μόνοι υπεύθυνοι, ότι το προϊόν που περιγράφεται εδώ συμφωνεί με τις ισχύουσες οδηγίες και τα ισχύοντα πρότυπα. Ένα αντίγραφο της δήλωσης συμμόρφωσης υπάρχει στο τέλος αυτής της τεκμηρίωσης. Τα έγγραφα τεχνικής τεκμηρίωσης υπάρχουν εδώ:

Hilti Entwicklungsgesellschaft mbH | Zulassung Geräte | Hiltistraße 6 | 86916 Kaufering, DE

## 2 Ασφάλεια

### 2.1 Γενικές υποδείξεις για την ασφάλεια για ηλεκτρικά εργαλεία

**⚠ ΠΡΟΕΙΔΟΠΟΙΗΣΗ** Διαβάστε όλες τις υποδείξεις ασφαλείας, τις οδηγίες, τις εικόνες και τα τεχνικά χαρακτηριστικά τα οποία υπάρχουν σε αυτό το ηλεκτρικό εργαλείο. Η παράβλεψη των ακόλουθων οδηγιών μπορεί να προκαλέσει ηλεκτροπληξία, πυρκαγιά και/ή σοβαρούς τραυματισμούς.

**Φυλάξτε όλες τις υποδείξεις για την ασφάλεια και τις οδηγίες για μελλοντική χρήση.**

Ο όρος "ηλεκτρικό εργαλείο" που χρησιμοποιείται στις υποδείξεις για την ασφάλεια αναφέρεται σε ηλεκτρικά εργαλεία που λειτουργούν συνδεδεμένα τα στο ηλεκτρικό δίκτυο (με καλώδιο τροφοδοσίας) και σε ηλεκτρικά εργαλεία που λειτουργούν με επαναφορτιζόμενες μπαταρίες (χωρίς καλώδιο τροφοδοσίας).

#### Ασφάλεια χώρου εργασίας

- ▶ Διατηρείτε το χώρο εργασίας σας καθαρό και με καλό φωτισμό. Η αταξία στο χώρο εργασίας και οι μη φωτισμένες περιοχές μπορεί να οδηγήσουν σε ατυχήματα.
- ▶ Μην εργάζεστε με το ηλεκτρικό εργαλείο σε περιβάλλον επικίνδυνο για εκρήξεις, στο οποίο υπάρχουν εύφλεκτα υγρά, αέρια ή σκόνη. Από τα ηλεκτρικά εργαλεία δημιουργούνται σπινθήρες, οι οποίοι μπορεί να αναφλέξουν τη σκόνη ή τις αναθυμιάσεις.
- ▶ Κατά τη χρήση του ηλεκτρικού εργαλείου κρατάτε μακριά τα παιδιά και άλλα πρόσωπα. Εάν σας αποσπάσουν την προσοχή, μπορεί να χάσετε τον έλεγχο του εργαλείου.



## Ηλεκτρική ασφάλεια

- ▶ Το φως σύνδεσης του ηλεκτρικού εργαλείου πρέπει να ταιριάζει στην πρίζα. Δεν επιτρέπεται σε καμία περίπτωση η μετατροπή του φως. Μη χρησιμοποιείτε αντάπτορες φως μαζί με γειωμένα ηλεκτρικά εργαλεία. Τα φως που δεν έχουν υποστεί μετατροπές και οι κατάλληλες πρίζες μειώνουν τον κίνδυνο ηλεκτροπληξίας.
- ▶ Αποφύγετε την επαφή του σώματος με γειωμένες επιφάνειες, όπως σωλήνες, καλοριφέρ, ηλεκτρικές κουζίνες και ψυγεία. Υπάρχει αυξημένος κίνδυνος ηλεκτροπληξίας, όταν το σώμα σας είναι γειωμένο.
- ▶ Μην εκθέτετε τα ηλεκτρικά εργαλεία σε βροχή ή σε υγρασία. Η εισχώρηση νερού στο ηλεκτρικό εργαλείο αυξάνει τον κίνδυνο ηλεκτροπληξίας.
- ▶ Μην χρησιμοποιείτε το καλώδιο σύνδεσης για να μεταφέρετε ή να αναρτήσετε το ηλεκτρικό εργαλείο ή για να τραβήξετε το φως από την πρίζα. Κρατάτε το καλώδιο σύνδεσης μακριά από υψηλές θερμοκρασίες, λάδια, αιχμηρές ακμές ή κινούμενα μέρη. Τα ελαττωματικά ή τα περιστραμμένα καλώδια σύνδεσης αυξάνουν τον κίνδυνο ηλεκτροπληξίας.
- ▶ Όταν εργάζεστε με το ηλεκτρικό εργαλείο σε υπαίθριους χώρους, χρησιμοποιείτε μόνο καλώδια προέκτασης (μπαλαντέζες), που είναι κατάλληλα για χρήση σε εξωτερικούς χώρους. Η χρήση ενός καλωδίου προέκτασης κατάλληλου για χρήση σε υπαίθριους χώρους μειώνει τον κίνδυνο ηλεκτροπληξίας.
- ▶ Εάν δεν μπορεί να αποφευχθεί η λειτουργία του ηλεκτρικού εργαλείου σε περιβάλλον με υγρασία, χρησιμοποιήστε αυτόματο ρελέ. Η χρήση ενός αυτόματου ρελέ μειώνει τον κίνδυνο ηλεκτροπληξίας.

## Ασφάλεια προσώπων

- ▶ Να είσαστε πάντα προσεκτικοί, να προσέχετε τι κάνετε και να εργάζεστε με το ηλεκτρικό εργαλείο με περισκεψη. Μην χρησιμοποιείτε ηλεκτρικά εργαλεία, όταν είστε κουρασμένοι ή όταν βρίσκεστε υπό την επίρροια ναρκωτικών ουσιών, οινοπνεύματος ή φαρμάκων. Μία στιγμή απροσεξίας κατά τη χρήση του ηλεκτρικού εργαλείου μπορεί να οδηγήσει σε σοβαρούς τραυματισμούς.
- ▶ Φοράτε προσωπικό εξοπλισμό προστασίας και πάντα προστατευτικά γυαλιά. Φορώντας προσωπικό εξοπλισμό προστασίας, όπως μάσκα προστασίας από τη σκόνη, αντλιοσθητικά υποδήματα ασφαλείας, προστατευτικό κράνος ή ωτοασπίδες, ανάλογα με το είδος και τη χρήση του ηλεκτρικού εργαλείου, μειώνεται ο κίνδυνος τραυματισμών.
- ▶ Αποφύγετε την ακούσια θέση σε λειτουργία του εργαλείου. Βεβαιωθείτε ότι είναι απενεργοποιημένο το ηλεκτρικό εργαλείο, πριν το συνδέσετε στην παροχή ρεύματος και/ή πριν τοποθετήσετε την μπαταρία και πριν το μεταφέρετε. Εάν μεταφέροντας το ηλεκτρικό εργαλείο έχετε το δάκτυλό σας στον διακόπτη ή συνδέσετε το εργαλείο στο ρεύμα ενώ ο διακόπτης είναι στο ON, μπορεί να προκληθούν ατυχήματα.
- ▶ Απομακρύνετε τα εργαλεία ρύθμισης ή τα κλειδιά από το ηλεκτρικό εργαλείο, πριν το θέσετε σε λειτουργία. Ένα εργαλείο ή κλειδί που βρίσκεται σε κάποιο περιστρεφόμενο εξάρτημα του ηλεκτρικού εργαλείου, μπορεί να προκαλέσει τραυματισμούς.
- ▶ Αποφύγετε τις αφύσικες στάσεις του σώματος. Φροντίστε για την ασφαλή στήριξη του σώματός σας και διατηρείτε πάντα την ισορροπία σας. Έτσι μπορείτε να ελέγχετε καλύτερα το ηλεκτρικό εργαλείο σε μη αναμενόμενες καταστάσεις.
- ▶ Φοράτε κατάλληλα ρούχα. Μη φοράτε φαρδιά ρούχα ή κοσμήματα. Κρατάτε τα μαλλιά, τα ρούχα και τα γάντια μακριά από περιστρεφόμενα εξαρτήματα. Τα φαρδιά ρούχα, τα κοσμήματα ή τα μακριά μαλλιά μπορεί να παγιδευτούν από περιστρεφόμενα εξαρτήματα.
- ▶ Εάν υπάρχει η δυνατότητα σύνδεσης συστημάτων αναρρόφησης και συλλογής σκόνης, βεβαιωθείτε ότι είναι συνδεδεμένα και ότι χρησιμοποιούνται σωστά. Η χρήση συστήματος αναρρόφησης σκόνης μπορεί να μειώσει τους κινδύνους που προέρχονται από τη σκόνη.
- ▶ Μην εκτιμάτε λάθος την ασφάλεια και μην παραβλέπετε τους κανόνες ασφαλείας για ηλεκτρικά εργαλεία, ακόμη και όταν, μετά από πολλές χρήσεις, έχετε εξοικειωθεί με το ηλεκτρικό εργαλείο. Από απρόσεκτες ενέργειες μπορούν να προκληθούν σοβαροί τραυματισμοί εντός κλάσματος δευτερολέπτου.

## Χρήση και αντιμετώπιση του ηλεκτρικού εργαλείου

- ▶ Μην υπερφορτίζετε το εργαλείο. Χρησιμοποιείτε για την εργασία σας το ηλεκτρικό εργαλείο που προορίζεται για αυτήν. Με το κατάλληλο ηλεκτρικό εργαλείο εργάζεστε καλύτερα και με μεγαλύτερη ασφάλεια στην αναφερόμενη περιοχή ισχύος.
- ▶ Μην χρησιμοποιείτε ποτέ ένα ηλεκτρικό εργαλείο, ο διακόπτης του οποίου είναι χαλασμένος. Ένα ηλεκτρικό εργαλείο το οποίο δεν μπορεί να θεθεί πλέον σε λειτουργία ή εκτός λειτουργίας είναι επικίνδυνο και πρέπει να επισκευαστεί.
- ▶ Αποσυνδέστε το φως από την πρίζα και/ή απομακρύνετε μια αποσπώμενη μπαταρία πριν διεξάγετε ρυθμίσεις στο εργαλείο, αντικαταστήσετε κάποιο αξεσουάρ ή αποθηκεύσετε το εργαλείο. Αυτό το προληπτικό μέτρο ασφαλείας αποτρέπει την ακούσια εκκίνηση του ηλεκτρικού εργαλείου.



- ▶ Φυλάτε τα ηλεκτρικά εργαλεία που δεν χρησιμοποιείτε μακριά από παιδιά. Μην αφήνετε να χρησιμοποιήσουν το εργαλείο άτομα που δεν είναι εξοικειωμένα με αυτό ή που δεν έχουν διαβάσει αυτές τις οδηγίες χρήσης. Τα ηλεκτρικά εργαλεία είναι επικίνδυνα, όταν χρησιμοποιούνται από άπειρα πρόσωπα.
- ▶ Φροντίζετε σχολαστικά τα ηλεκτρικά εργαλεία και τα αξεσουάρ. Ελέγχετε, εάν τα κινούμενα μέρη λειτουργούν άψογα και δεν μπλοκάρουν, εάν έχουν σπάσει κάποια εξαρτήματα ή έχουν υποστεί τέτοια ζημιά ώστε να επηρεάζονται αρνητικά η λειτουργία του ηλεκτρικού εργαλείου. Δώστε τα χαλασμένα εξαρτήματα για επισκευή πριν χρησιμοποιήσετε ξανά το εργαλείο. Πολλά ατυχήματα οφείλονται σε κακά συντηρημένα ηλεκτρικά εργαλεία.
- ▶ Διατηρείτε τα εξαρτήματα κοπής αιχμηρά και καθαρά. Τα σχολαστικά συντηρημένα εξαρτήματα κοπής με αιχμηρές ακμές κολλάνε σπανιότερα και καθοδηγούνται με μεγαλύτερη ευκολία.
- ▶ Χρησιμοποιείτε το ηλεκτρικό εργαλείο, τα αξεσουάρ, τα εργαλεία ρύθμισης κτλ. σύμφωνα με τις παρούσες οδηγίες. Λαμβάνετε ταυτόχρονα υπόψη τις συνθήκες εργασίας και την προς εκτέλεση εργασία. Η χρήση ηλεκτρικών εργαλείων για εργασίες διαφορετικές από τις προβλεπόμενες μπορεί να οδηγήσει σε επικίνδυνες καταστάσεις.
- ▶ Διατηρείτε τις λαβές και επιφάνειες συγκράτησης στεγνές, καθαρές και απαλλαγμένες από λάδια και γράσα. Οι ολισθηρές λαβές και επιφάνειες συγκράτησης δεν επιτρέπουν ασφαλή χειρισμό και έλεγχο του ηλεκτρικού εργαλείου σε απρόβλεπτες καταστάσεις.

#### Χρήση και αντιμετώπιση του επαναφορτιζόμενου εργαλείου

- ▶ Φορτίζετε τις μπαταρίες μόνο με φορτιστές που προτείνονται από τον κατασκευαστή. Υπάρχει κίνδυνος πυρκαγιάς σε φορτιστές που είναι κατάλληλοι για ένα συγκεκριμένο είδος μπαταριών, όταν χρησιμοποιούνται με άλλες μπαταρίες.
- ▶ Χρησιμοποιείτε μόνο τις προβλεπόμενες για τα ηλεκτρικά εργαλεία επαναφορτιζόμενες μπαταρίες. Η χρήση άλλων μπαταριών μπορεί να προκαλέσει τραυματισμούς και κίνδυνο πυρκαγιάς.
- ▶ Κρατήστε τις μπαταρίες που δεν χρησιμοποιείτε μακριά από συνδετήρες, κέρματα, κλειδιά, καρφιά, βίδες και άλλα μεταλλικά μικροαντικείμενα, που θα μπορούσαν να προκαλέσουν γεφύρωση των επαφών. Ένα βραχυκύκλωμα μεταξύ των επαφών της μπαταρίας μπορεί να έχει ως συνέπεια εγκαύματα ή πυρκαγιά.
- ▶ Σε περίπτωση λανθασμένης χρήσης μπορούν να διαρρεύσουν υγρά από την μπαταρία. Αποφεύγετε κάθε είδους επαφή. Σε περίπτωση ακούσιας επαφής, ξεπλύνετε με νερό. Εάν τα υγρά έρθουν σε επαφή με τα μάτια σας, επισκεφθείτε επιπρόσθετα ένα γιατρό. Τα υγρά της μπαταρίας ενδέχεται να προκαλέσουν ερεθισμούς ή εγκαύματα στο δέρμα.
- ▶ Μην χρησιμοποιείτε μπαταρίες που έχουν υποστεί ζημιά ή έχουν υποστεί μετατροπές. Οι μπαταρίες που έχουν υποστεί ζημιά ή μετατροπές μπορεί να συμπεριφερθούν απρόβλεπτα και να προκαλέσουν φωτιά, έκρηξη ή κίνδυνο τραυματισμού.
- ▶ Μην εκθέτετε την μπαταρία σε φωτιά ή σε πολύ υψηλές θερμοκρασίες. Η φωτιά ή η θερμοκρασία άνω των 130 °C (265 °F) μπορεί να προκαλέσει έκρηξη.
- ▶ Ακολουθήστε όλες τις οδηγίες για τη φόρτιση και μην φορτίζετε την μπαταρία ή το επαναφορτιζόμενο εργαλείο ποτέ εκτός του εύρους θερμοκρασιών που αναφέρεται στο παρόν εγχειρίδιο οδηγιών χρήσης. Η λανθασμένη φόρτιση ή η φόρτιση εκτός του επιτρεπόμενου εύρους θερμοκρασίας μπορεί να καταστρέψει την μπαταρία και να αυξήσει τον κίνδυνο πυρκαγιάς.

#### Σέρβις

- ▶ Αναθέτετε την επισκευή του ηλεκτρικού εργαλείου μόνο σε κατάλληλο εξειδικευμένο προσωπικό με χρήση μόνο γνήσιων ανταλλακτικών. Με αυτόν τον τρόπο διασφαλίζεται ότι θα διατηρηθεί η ασφάλεια του εργαλείου.
- ▶ Μην συντηρείτε ποτέ μπαταρίες που έχουν υποστεί ζημιά. Κάθε συντήρηση μπαταριών θα πρέπει να πραγματοποιείται μόνο από τον κατασκευαστή ή από εξουσιοδοτημένα σέρβις.

## 2.2 Υποδείξεις για την ασφάλεια για πριόνια με κινούμενη πριονόλαμα

- ▶ Κρατάτε το ηλεκτρικό εργαλείο από τις μονωμένες επιφάνειες συγκράτησης, όταν εκτελείτε εργασίες κατά τις οποίες το ηλεκτρικό εργαλείο ενδέχεται να έρθει σε επαφή με καλυμμένα ηλεκτρικά καλώδια. Η επαφή με καλώδιο που βρίσκεται υπό τάση μπορεί να θέσει υπό τάση ακόμη και τα μεταλλικά μέρη του εργαλείου και να προκαλέσει ηλεκτροπληξία.
- ▶ Στερεώστε και ασφαλίστε το εξάρτημα με μέγενες ή με άλλο τρόπο σε ένα σταθερό υπόστρωμα. Εάν κρατάτε το αντικείμενο μόνο με το χέρι ή κόντρα στο σώμα σας, παραμένει ασταθές, γεγονός που μπορεί να προκαλέσει απώλεια του ελέγχου.



## 2.3 Πρόσθετες υποδείξεις για την ασφάλεια

### Ασφάλεια προσώπων

- ▶ Χρησιμοποιείτε το εργαλείο μόνο σε τεχνικά άψογη κατάσταση.
- ▶ Μην πραγματοποιείτε ποτέ παραποιήσεις ή μετατροπές στο εργαλείο.
- ▶ Διατηρείτε τις χειρολαβές στεγνές και καθαρές.
- ▶ Φοράτε κατά τη χρήση του εργαλείου κατάλληλα προστατευτικά γυαλιά, ωτοασπίδες και προστατευτικά γάντια.
- ▶ Φοράτε προστατευτικά γάντια κατά την αντικατάσταση του εξαρτήματος. Η επαφή με το εξάρτημα μπορεί να προκαλέσει τραυματισμό από κοπή και εγκαύματα.
- ▶ Χρησιμοποιείτε προστατευτικά γυαλιά. Τα θραύσματα του υλικού μπορεί να προκαλέσουν τραυματισμούς στο σώμα και στα μάτια.
- ▶ Μην κοιτάτε κατευθείαν στον φωτισμό (LED) και μην φωτίζετε το πρόσωπο άλλων. Υπάρχει κίνδυνος θάμβωσης.
- ▶ Βεβαιωθείτε πριν την έναρξη της εργασίας για την κατηγορία κινδύνου της σκόνης που δημιουργείται κατά την εργασία. Χρησιμοποιήστε επαγγελματική ηλεκτρική σκούπα με επίσημα εγκεκριμένη κατηγοριοποίηση προστασίας, που να ανταποκρίνεται στους τοπικούς κανονισμούς προστασίας από τη σκόνη.
- ▶ Φροντίστε για καλό αερισμό του χώρου εργασίας και φοράτε ενδοχρηστές μάσκα προστασίας της αναπνοής, η οποία να είναι κατάλληλη για την εκάστοτε σκόνη. Η επαφή ή η εισπνοή σκόνης μπορεί να προκαλέσει αλλεργικές αντιδράσεις και/ή παθήσεις του αναπνευστικού συστήματος του χρήστη ή απόμων που βρίσκονται κοντά. Συγκεκριμένα είδη σκόνης, όπως για παράδειγμα η σκόνη από δρυ ή οξιά θεωρούνται ως καρκινογόνα, ιδίως σε συνδυασμό με πρόσθετες ουσίες επεξεργασίας ξύλου (χρωματίζα, υλικά προστασίας ξυλείας). Η εργασία με υλικά με αμίαντο επιτρέπεται μόνο από εξειδικευμένο προσωπικό.
- ▶ Κάνετε διαλείμματα από την εργασία καθώς και ασκήσεις για καλύτερη αιμάτωση των δακτύλων σας. Σε παρατεταμένη εργασία ενδέχεται να προκληθούν από κραδασμούς προβλήματα σε αιμοφόρα αγγεία ή στο νευρικό σύστημα στα δάχτυλα, στα χέρια ή στις αρθρώσεις των χεριών.

### Ηλεκτρική ασφάλεια

- ▶ Ελέγξτε την περιοχή εργασίας πριν από την έναρξη της εργασίας για καλυμμένα ηλεκτρικά καλώδια, σωλήνες αερίου και ύδρευσης. Από εξωτερικά μεταλλικά μέρη στο εργαλείο μπορεί να προκληθεί ηλεκτροπληξία, εάν π.χ. κατά λάθος προκαλέσετε ζημιά σε ένα ηλεκτρικό καλώδιο.

### Επιμέλεια χειρισμός και χρήση ηλεκτρικών εργαλείων

- ▶ Ασφαλίστε το προς επεξεργασία αντικείμενο. Ένα αντικείμενο που είναι στερεωμένο με διατάξεις σύσφιξης ή μέγγενη συγκρατείται με μεγαλύτερη ασφάλεια από ό,τι μόνο με το χέρι.

### Ειδικές υποδείξεις για την ασφάλεια για σέγες

- ▶ Καθοδηγείτε κατά την κοπή το προϊόν πάντα μακριά από σώμα σας.
- ▶ Ποτέ μην τοποθετείτε τα χέρια σας μπροστά ή κοντά στην πρινόλαμα.
- ▶ Μην κόβετε σε άγνωστα υποστρώματα και διατηρείτε απαλλαγμένο από εμπόδια το σημείο κοπής επάνω και κάτω.
- ▶ Μην βάζετε τα χέρια σας κάτω από το αντικείμενο κατά την κοπή.

## 2.4 Επιμέλεια χειρισμός και χρήση επαναφορτιζόμενων μπαταριών

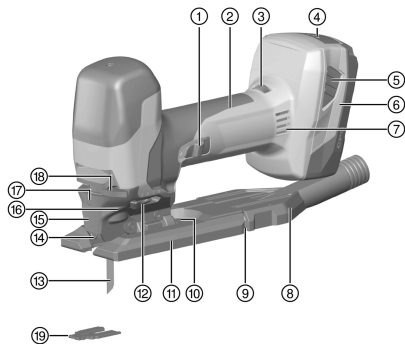
- ▶ Προσέξτε τις ειδικές οδηγίες για τη μεταφορά, την αποθήκευση και τη λειτουργία των επαναφορτιζόμενων μπαταριών Li-Ion.
- ▶ Κρατάτε τις επαναφορτιζόμενες μπαταρίες μακριά από υψηλές θερμοκρασίες, άμεση ηλιακή ακτινοβολία και φωτιά.
- ▶ Δεν επιτρέπεται να αποσυαρμιολογείτε, να συμπιέζετε, να θερμαίνετε πάνω από τους 80°C (176°F) ή να καίτε τις επαναφορτιζόμενες μπαταρίες.
- ▶ Μην χρησιμοποιείτε και μην φορτίζετε επαναφορτιζόμενες μπαταρίες, που έχουν χτυπηθεί, έχουν πέσει από ύψος μεγαλύτερο του ενός μέτρου ή έχουν υποστεί άλλο είδους ζημιά. Επικοινωνείτε σε αυτή την περίπτωση πάντα με το **σέρβις** της Hilti.
- ▶ Εάν η μπαταρία καίει υπερβολικά όταν την ακουμπάτε, ενδέχεται να έχει υποστεί ζημιά. Τοποθετήστε την μπαταρία σε ένα σημείο στο οποίο έχετε ορατότητα, μη εύφλεκτο και με επαρκή απόσταση από εύφλεκτα υλικά. Αφήστε την επαναφορτιζόμενη μπαταρία να κρυώσει. Εάν η μπαταρία εξακολουθεί να καίει υπερβολικά μετά από μία ώρα όταν την ακουμπάτε, τότε έχει υποστεί ζημιά. Επικοινωνήστε με το **σέρβις** της Hilti.





### 3 Περιγραφή

#### 3.1 Συνοπτική παρουσίαση προϊόντος



- ① Διακόπτης on/off
- ② Χειρολαβή
- ③ Περιστροφικός διακόπτης για ρύθμιση αριθμού εμβολισμών
- ④ Ένδειξη κατάστασης φόρτισης επαναφορτιζόμενης μπαταρίας
- ⑤ Πλήκτρο απασφάλισης επαναφορτιζόμενης μπαταρίας
- ⑥ Επαναφορτιζόμενη μπαταρία
- ⑦ Σχιμές αερισμού
- ⑧ Προσαρμογέας αναρρόφησης
- ⑨ Άγκιστρο ασφάλισης
- ⑩ Κλίμακα για ρύθμιση φάλτσογωνιάς
- ⑪ Πέλμα βάσης
- ⑫ Μοχλό για ρυθμίσεις παλινδρόμησης
- ⑬ Δίσκος
- ⑭ Προστατευτικό επαφής
- ⑮ Κάλυμμα
- ⑯ Τσोक
- ⑰ Λυχνία LED
- ⑱ Μοχλός για απασφάλιση πριονόλαμας
- ⑲ Προστατευτικό απόσχισης σκλήθρων

#### 3.2 Κατάλληλη χρήση

Το προϊόν που περιγράφεται είναι μια καθοδηγούμενη με το χέρι επαναφορτιζόμενη σέγα. Προορίζεται για την κοπή πλαστικών, ξύλων, μετάλλων καθώς και γυψοσανίδων και ινοσανίδων.

Το προϊόν εφοδιάζεται με ένα αποσπώσιμο στόμιο σύνδεσης για προαιρετική ηλεκτρική σκούπα, που είναι σχεδιασμένο για τους συνήθεις σωλήνες ηλεκτρικής σκούπας. Για τη σύνδεση του εύκαμπτου σωλήνα αναρρόφησης με το προϊόν, ενδέχεται να είναι απαραίτητος ένας κατάλληλος αντάπτορας.

- ▶ Χρησιμοποιείτε για αυτό το προϊόν μόνο τις επαναφορτιζόμενες μπαταρίες Li-Ion της **Hilti** της σειράς τύπου B 22.
- ▶ Χρησιμοποιείτε για αυτές τις επαναφορτιζόμενες μπαταρίες μόνο τους φορτιστές **Hilti** της σειράς C4/36.
- ▶ Χρησιμοποιείτε για αυτό το προϊόν μόνο πριονόλαμες με απόληξη T (απόληξη μονού εκκέντρου).

#### 3.3 Πιθανή λανθασμένη χρήση

- Δεν επιτρέπεται να χρησιμοποιείτε το προϊόν για το κόψιμο κλαδιών και κορμών δένδρων.
- Δεν επιτρέπεται να χρησιμοποιείτε το προϊόν για την κατεργασία υλικών επικινδύνων για την υγεία.
- Δεν επιτρέπεται να χρησιμοποιείτε το προϊόν για εργασίες σε υγρό περιβάλλον.

#### 3.4 Ένδειξη κατάστασης φόρτισης

Η κατάσταση φόρτισης της μπαταρίας Li-Ion εμφανίζεται μετά από ελαφρό πάτημα του/ενός πλήκτρου απασφάλισης (το πολύ μέχρι να αισθανθείτε αντίσταση).

Κατάσταση	Σημασία
4 LED ανάβουν.	Κατάσταση φόρτισης: 75 % έως 100 %
3 LED ανάβουν.	Κατάσταση φόρτισης: 50 % έως 75 %
2 LED ανάβουν.	Κατάσταση φόρτισης: 25 % έως 50 %
1 LED ανάβει.	Κατάσταση φόρτισης: 10 % έως 25 %



Κατάσταση	Σημασία
1 LED αναβοσβήνει.	Κατάσταση φόρτισης: < 10 %

**i** Όταν είναι πατημένος ο διακόπτης ελέγχου και έως και 5 δευτερόλεπτα αφού αφήσετε τον διακόπτη ελέγχου δεν είναι δυνατή η εμφάνιση της κατάστασης φόρτισης. Όταν αναβοσβήνουν τα LED της ένδειξης κατάστασης φόρτισης της μπαταρίας, προσέξτε τις υποδείξεις στο κεφάλαιο Βοήθεια για προβλήματα.

### 3.5 Σύστημα εξαγωγής ρινισμάτων με φύσημα

Το σύστημα εξαγωγής ρινισμάτων με φύσημα κατευθύνει ένα ρεύμα αέρα προς την πριονόλαμα, για να διατηρείται ελεύθερη η γραμμή κοπής από ρινίσματα.

### 3.6 Αριθμός εμβολισμών

Ο αριθμός εμβολισμών μπορεί να ρυθμιστεί με τον περιστροφικό διακόπτη. Η θέση 1 αντιστοιχεί σε 800 εμβολισμούς ανά λεπτό και η θέση 6 σε 3000 εμβολισμούς ανά λεπτό.

### 3.7 Παλινδρόμηση 4 επιπέδων

Με την παλινδρόμηση 4 επιπέδων, υπάρχει η δυνατότητα προσαρμογής της απόδοσης κοπής και της εμφάνισης στο υλικό που υποβάλλεται σε επεξεργασία. Με τον μοχλό για τη ρύθμιση της παλινδρόμησης υπάρχει η δυνατότητα εναλλαγής των 4 επιπέδων.

Όσο πιο καθαρή και λεπτομερής θέλετε να γίνει η ακμή κοπής, τόσο μικρότερο επίπεδο παλινδρόμησης πρέπει να επιλέγετε. Με δοκιμές στην πράξη μπορείτε να βρείτε την ιδανική ρύθμιση.

Κατάσταση	Σημασία
Επίπεδο 0	χωρίς παλινδρόμηση
Επίπεδο 1	μικρή παλινδρόμηση
Επίπεδο 2	μεσαία παλινδρόμηση
Επίπεδο 3	Μεγάλη παλινδρόμηση

### 3.8 Προστατευτικό απόσχισης σκλήθρων

Το προϊόν μπορεί να είναι εξοπλισμένο με ένα προστατευτικό απόσχισης σκλήθρων.

Με το προστατευτικό απόσχισης σκλήθρων αποτρέπεται η απόσχιση της επιφάνειας υλικών ξύλου κατά την κοπή.

### 3.9 Αυτόματη απενεργοποίηση της συσκευής

Εάν ο διακόπτης on/off πατηθεί παρατεταμένα για περισσότερα από 15 λεπτά (π.χ. κατά τη μεταφορά ή την αποθήκευση), η συσκευή απενεργοποιείται αυτόματα. Με αυτόν τον τρόπο αποτρέπεται η βαθιά εκφόρτιση της επαναφορτιζόμενης μπαταρίας.

### 3.10 Έκταση παράδοσης

Παλμική σέγα, κάλυμμα, προσαρμογέας αναρρόφησης, προστατευτικό απόσχισης σκλήθρων, οδηγίες χρήσης, κλειδί άλεν.

Περισσότερα, εγκεκριμένα για το προϊόν σας συστήματα θα βρείτε στο **Hilti Center** ή online στη διεύθυνση: [www.hilti.com](http://www.hilti.com)

## 4 Τεχνικά χαρακτηριστικά

### 4.1 Παλμική σέγα

	SJT 6-A22
Όνομαστική τάση	21,6 V
Βάρος κατά EPTA Procedure 01 συμπερ. επαναφορτιζόμενης μπαταρίας B228.0	3,2 kg
Ύψος εμβολισμού	28 mm



	<b>SJT 6-A22</b>
Αριθμός εμβολισμών χωρίς φορτίο ( $n_0$ )	800/min ... 3.000/min
Μέγιστη απόδοση κοπής σε ξύλο	150 mm
Μέγιστη απόδοση κοπής σε αλουμίνιο	25 mm
Μέγιστη απόδοση κοπής σε μη κραματοποιημένο χάλυβα	10 mm
Γωνία κοπής (αριστερά/δεξιά)	0° ... 45°
Εξωτερική διάμετρος προσαρμογέα αναρρόφησης	27,5 mm
Θερμοκρασία αποθήκευσης	-20 °C ... 70 °C
Θερμοκρασία περιβάλλοντος κατά τη λειτουργία	-17 °C ... 60 °C
Θερμοκρασία μπαταρίας στην έναρξη φόρτισης	-10 °C ... 45 °C
Θερμοκρασία αποθήκευσης	-20 °C ... 40 °C
Θερμοκρασία περιβάλλοντος κατά τη λειτουργία	-17 °C ... 60 °C

#### 4.2 Πληροφορίες θορύβου και τιμές κραδασμών κατά EN 62841

Οι αναφερόμενες στις παρούσες οδηγίες τιμές ηχητικής πίεσης και κραδασμών έχουν μετρηθεί σύμφωνα με μια τυποποιημένη μέθοδο μέτρησης και μπορούν να χρησιμοποιηθούν για τη σύγκριση μεταξύ ηλεκτρικών εργαλείων. Είναι επίσης κατάλληλες για πρόχειρη εκτίμηση των εκθέσεων.

Τα αναφερόμενα στοιχεία αντιπροσωπεύουν τις κύριες εφαρμογές του ηλεκτρικού εργαλείου. Εάν ωστόσο το ηλεκτρικό εργαλείο χρησιμοποιηθεί σε άλλες εφαρμογές, με διαφορετικά εξαρτήματα ή με ελλιπή συντήρηση, ενδέχεται να διαφέρουν τα στοιχεία. Το γεγονός αυτό μπορεί να αυξήσει σημαντικά τις εκθέσεις σε όλη τη διάρκεια του χρόνου εργασίας.

Για μια ακριβή εκτίμηση της έκθεσης θα πρέπει να συνυπολογίζονται και οι χρόνοι, στους οποίους είναι απενεργοποιημένο το εργαλείο ή λειτουργεί μεν, αλλά δεν χρησιμοποιείται πραγματικά. Το γεγονός αυτό μπορεί να μειώσει σημαντικά τις εκθέσεις σε όλη τη διάρκεια του χρόνου εργασίας.

Καθορίστε πρόσθετα μέτρα ασφαλείας για την προστασία του χρήστη από την επίδραση του θορύβου και/ή των κραδασμών, όπως για παράδειγμα: Συντήρηση ηλεκτρικού εργαλείου και εξαρτημάτων, διατήρηση χεριών σε κανονική θερμοκρασία, οργάνωση των σταδίων εργασίας.

##### Τιμές εκπομπής θορύβου

	<b>SJT 6-A22</b>
Επίπεδο στάθμης ήχου ( $L_{WA}$ )	100 dB(A)
Ανακρίβεια επιπέδου στάθμης ήχου ( $K_{WA}$ )	5 dB(A)
Στάθμη θορύβου ( $L_{pA}$ )	89 dB(A)
Ανακρίβεια επιπέδου ηχητικής πίεσης ( $K_{pA}$ )	5 dB(A)

##### Συνολικές τιμές κραδασμών

	<b>SJT 6-A22</b>
Τιμή κραδασμών για κοπή ξύλινων σανίδων ( $a_{n,b}$ )	5,0 m/s <sup>2</sup>
Ανακρίβεια κοπής νοβοπάν (K)	1,5 m/s <sup>2</sup>
Τιμή κραδασμών για κοπή μεταλλικών λαμαρινών ( $a_{n,m}$ )	7,9 m/s <sup>2</sup>
Ανακρίβεια κοπής μεταλλικών λαμαρινών (K)	1,5 m/s <sup>2</sup>

## 5 Επαναφορτιζόμενη μπαταρία

Τάση λειτουργίας επαναφορτιζόμενης μπαταρίας	21,6 V
Θερμοκρασία περιβάλλοντος κατά τη λειτουργία	-17 °C ... 60 °C
Θερμοκρασία αποθήκευσης	-20 °C ... 40 °C
Θερμοκρασία μπαταρίας στην έναρξη φόρτισης	-10 °C ... 45 °C



## 6 Προετοιμασία εργασίας



### ΠΡΟΕΙΔΟΠΟΙΗΣΗ

#### Κίνδυνος τραυματισμού από ακούσια έναρξη λειτουργίας!

- ▶ Βεβαιωθείτε ότι το σχετικό προϊόν είναι εκτός λειτουργίας, πριν τοποθετήσετε την επαναφορτιζόμενη μπαταρία.
- ▶ Αφαιρέστε την μπαταρία, πριν πραγματοποιήσετε ρυθμίσεις στο εργαλείο ή αντικαταστήσετε αξεσουάρ.

Προσέξτε τις υποδείξεις ασφαλείας και προειδοποίησης στην παρούσα τεκμηρίωση και στο προϊόν.

### 6.1 Φορτίστε την μπαταρία

1. Διαβάστε πριν από τη φόρτιση τις οδηγίες χρήσης του φορτιστή.
2. Βεβαιωθείτε ότι οι επαφές της επαναφορτιζόμενης μπαταρίας και του φορτιστή είναι καθαρές και στεγνές.
3. Φορτίστε την επαναφορτιζόμενη μπαταρία σε έναν εγκεκριμένο φορτιστή. → σελίδα 107

### 6.2 Τοποθέτηση μπαταρίας



### ΠΡΟΕΙΔΟΠΟΙΗΣΗ

#### Κίνδυνος τραυματισμού από βραχυκύκλωμα ή πτώση της μπαταρίας!

- ▶ Βεβαιωθείτε ότι δεν υπάρχουν ξένα αντικείμενα στις επαφές στην μπαταρία και στις επαφές στο προϊόν, πριν τοποθετήσετε την επαναφορτιζόμενη μπαταρία.
- ▶ Βεβαιωθείτε ότι η επαναφορτιζόμενη μπαταρία κουμπώνει πάντα σωστά.

1. Φορτίζετε πλήρως την μπαταρία πριν από την πρώτη θέση σε λειτουργία.
2. Εισάγετε την επαναφορτιζόμενη μπαταρία στο προϊόν, μέχρι να κουμπώσει με χαρακτηριστικό ήχο.
3. Βεβαιωθείτε ότι εδράζει καλά η μπαταρία.

### 6.3 Αφαίρεση επαναφορτιζόμενης μπαταρίας

1. Πατήστε τα πλήκτρα απασφάλισης της επαναφορτιζόμενης μπαταρίας.
2. Τραβήξτε την μπαταρία από το εργαλείο.

### 6.4 Τοποθέτηση δίσκου

1. Αφαιρέστε την επαναφορτιζόμενη μπαταρία.
2. Πιέστε την πριονόλαμα (δόντια προς την κατεύθυνση κοπής) στο τσοκ μέχρι να κουμπώσει.
3. Ελέγξτε εάν έχει ασφαλίσει σωστά η πριονόλαμα, τραβώντας την.

### 6.5 Τοποθέτηση καλύμματος

1. Αφαιρέστε την επαναφορτιζόμενη μπαταρία.
2. Ωθήστε το κάλυμμα από μπροστά στο προϊόν, μέχρι να κουμπώσει.



Το κάλυμμα μπορεί να τοποθετηθεί μόνο, όταν το πέλμα βάσης βρίσκεται στην κανονική θέση (θέση μηδέν μοίρες).

### 6.6 Τοποθέτηση προσαρμογέα αναρρόφησης

1. Ωθήστε τον προσαρμογέα αναρρόφησης από πίσω οριζόντια στο πέλμα βάσης, μέχρι να κουμπώσουν στο πλάι τα δύο άγκιστρα ασφάλισης.
2. Συνδέστε τον εύκαμπο σωλήνα της ηλεκτρικής σκούπας στον προσαρμογέα αναρρόφησης.

## 7 Χειρισμός

Προσέξτε τις υποδείξεις ασφαλείας και προειδοποίησης στην παρούσα τεκμηρίωση και στο προϊόν.



## 7.1 Χρήση συστήματος αναρρόφησης σκόνης



Η αναρρόφηση σκόνης μειώνει την επιβάρυνση από τη σκόνη, αυξάνει την ασφάλεια κατά την εργασία λόγω καλύτερης ορατότητας στην τομή και εμποδίζει μεγάλες επιβαρύνσεις του χώρου εργασίας από τη σκόνη και τα ρινίσματα.

1. Τοποθετήστε το κάλυμμα. → σελίδα 110
2. Χρησιμοποιείτε πάντα ένα σύστημα αναρρόφησης σκόνης, όταν πρόκειται να κόψετε για μεγάλο χρονικό διάστημα ξύλο ή υλικά, από τα οποία μπορούν να δημιουργηθούν μεγάλες συγκεντρώσεις σκόνης.

## 7.2 Ενεργοποίηση

1. Τοποθετήστε την επαναφορτιζόμενη μπαταρία.



Με μια λειτουργία ασφαλείας εξασφαλίζεται, ότι το εργαλείο δεν θα τίθεται σε λειτουργία, όταν ενεργοποιείται πρώτα το εργαλείο και μετά τοποθετείται η επαναφορτιζόμενη μπαταρία στη βάση του εργαλείου.

Πρώτα σπρώξτε τον διακόπτη on / off ξανά πίσω και μετά εκ νέου προς τα εμπρός.

2. Για ενεργοποίηση του προϊόντος, μετακινήστε τον διακόπτη on/off προς τα εμπρός.

## 7.3 Κοπή με βύθιση

1. Γυρίστε το μοχλό για τη ρύθμιση της παλινδρόμησης στη θέση 0.
2. Εφαρμόστε το προϊόν με την μπροστινή ακμή του πέλματος βάσης στο προς επεξεργασία αντικείμενο.
3. Συγκρατήστε το προϊόν και πατήστε τον διακόπτη on/off.
4. Πιέστε το προϊόν δυνατά κόντρα στο αντικείμενο και βυθίστε το μειώνοντας τη γωνία εφαρμογής.
5. Αφού τρυπήσετε το αντικείμενο, φέрте το προϊόν στην κανονική θέση εργασίας.
  - ▶ Το πέγμα βάσης εφαρμόζει σε ολόκληρη την επιφάνεια.
6. Συνεχίστε να κόβετε κατά μήκος της γραμμής κοπής.

## 7.4 Απενεργοποίηση

- ▶ Για απενεργοποίηση του προϊόντος, μετακινήστε τον διακόπτη on/off προς τα πίσω.

# 8 Αφαίρεση

## 8.1 Αφαίρεση προσαρμογέα αναρρόφησης

1. Πιέστε τα δύο άγκιστρα ασφάλισης προς τα μέσα.
2. Αφαιρέστε τον προσαρμογέα αναρρόφησης από το πέγμα βάσης τραβώντας τον προς τα πίσω.
3. Αποσυνδέστε τον εύκαμπτο σωλήνα της ηλεκτρικής σκούπας από τον προσαρμογέα αναρρόφησης.

## 8.2 Αφαίρεση καλύμματος

1. Αφαιρέστε την επαναφορτιζόμενη μπαταρία.
2. Λυγίστε ελαφρά το κάλυμμα και αφαιρέστε το τραβώντας το προς τα μπροστά.

## 8.3 Αφαίρεση πριονόλαμας



### ΠΡΟΕΙΔΟΠΟΙΗΣΗ

**Κίνδυνος τραυματισμού.** Η ανεξέλεγκτη αφαίρεση της πριονόλαμας μπορεί να προκαλέσει τραυματισμούς.

- ▶ Κρατάτε το προϊόν κατά την εξαγωγή της πριονόλαμας έτσι ώστε να μην τραυματιστούν πρόσωπα ή ζώα από την εξαγωγή της πριονόλαμας.

1. Αφαιρέστε την επαναφορτιζόμενη μπαταρία.
2. Ανοίξτε τον μοχλό για την απασφάλιση της πριονόλαμας προς το πλάι μέχρι να τερματίσει.
  - ▶ Η πριονόλαμα αποσυνδέεται και εξέρχεται.



**⚠ ΠΡΟΕΙΔΟΠΟΙΗΣΗ****Κίνδυνος τραυματισμού από τοποθετημένη μπαταρία !**

► Πριν από κάθε εργασία φροντίδας και συντήρησης αφαιρείτε πάντα την μπαταρία!

**Φροντίδα του προϊόντος**

- Απομακρύνετε προσεκτικά τους ρύπους που έχουν επικαθίσει.
- Εφόσον υπάρχουν, καθαρίστε τις σχισμές αερισμού με μια στεγνή, μαλακή βούρτσα.
- Καθαρίζετε το περίβλημα μόνο με ένα ελαφρώς βρεγμένο πανί. Μην χρησιμοποιείτε υλικά φροντίδας με περιεκτικότητα σε σιλικόνη, διότι ενδέχεται να προσβάλλουν τα πλαστικά μέρη.
- Χρησιμοποιήστε ένα καθαρό, στεγνό πανί, για να καθαρίσετε τις επαφές του προϊόντος.

**Φροντίδα επαναφορτιζόμενων μπαταριών Li-Ion**

- Μην χρησιμοποιείτε ποτέ μια επαναφορτιζόμενη μπαταρία με βουλωμένες σχισμές αερισμού. Καθαρίζετε τις σχισμές αερισμού προσεκτικά με μια στεγνή, μαλακή βούρτσα.
- Αποφύγετε την άσκοπη έκθεση της επαναφορτιζόμενης μπαταρίας σε σκόνη ή ρύπους. Μην εκθέτετε ποτέ την επαναφορτιζόμενη μπαταρία σε μεγάλη υγρασία (π.χ. βύθιση σε νερό ή παραμονή σε βροχή). Εάν έχει βραχεί μια επαναφορτιζόμενη μπαταρία, αντιμετωπίστε τη όπως μια επαναφορτιζόμενη μπαταρία που έχει υποστεί ζημιά. Απομονώστε τη σε ένα μη εύφλεκτο δοχείο και απευθυνθείτε στο σέρβις της **Hilti**.
- Διατηρείτε την επαναφορτιζόμενη μπαταρία καθαρή από ξένα λάδια και γράσα. Μην επιτρέπετε να συγκεντρώνονται άσκοπα σκόνες ή ρύποι στην επαναφορτιζόμενη μπαταρία. Καθαρίζετε την επαναφορτιζόμενη μπαταρία με μια στεγνή, μαλακή βούρτσα ή ένα καθαρό, στεγνό πανί. Μην χρησιμοποιείτε υλικά φροντίδας με περιεκτικότητα σε σιλικόνη, διότι ενδέχεται να προσβάλλουν τα πλαστικά μέρη.  
Μην ακουμπάτε τις επαφές της επαναφορτιζόμενης μπαταρίας και μην απομακρύνετε από τις επαφές το εργοστασιακό γράσο.
- Καθαρίζετε το περίβλημα μόνο με ένα ελαφρώς βρεγμένο πανί. Μην χρησιμοποιείτε υλικά φροντίδας με περιεκτικότητα σε σιλικόνη, διότι ενδέχεται να προσβάλλουν τα πλαστικά μέρη.

**Συντήρηση**

- Ελέγχετε τακτικά όλα τα ορατά μέρη για τυχόν ζημιές και την άψογη λειτουργία όλων των χειριστηρίων.
- Μην χρησιμοποιείτε το προϊόν σε περίπτωση ζημιών ή/και δυσλειτουργιών. Αναθέστε άμεσα την επισκευή του προϊόντος στο σέρβις της **Hilti**.
- Μετά από εργασίες φροντίδας και συντήρησης, τοποθετήστε όλα τα συστήματα προστασίας και ελέγξτε την απρόσκοπτη λειτουργία τους.



Για μια ασφαλή λειτουργία χρησιμοποιείτε μόνο γνήσια ανταλλακτικά και αναλώσιμα. Εγκεκριμένα από τη **Hilti** ανταλλακτικά, αναλώσιμα και αξεσουάρ για το προϊόν σας θα βρείτε στο πλησιέστερο **Hilti Store** ή στη διεύθυνση: [www.hilti.group](http://www.hilti.group)

**9.1 Καθαρισμός προσαρμογέα αναρρόφησης**

1. Αφαιρέστε την επαναφορτιζόμενη μπαταρία.
2. Αφαιρέστε τον προσαρμογέα αναρρόφησης. → σελίδα 111
3. Καθαρίστε τον προσαρμογέα αναρρόφησης.
4. Ελέγξτε ότι είναι άθικτα τα άγκιστρα ασφάλισης.
5. Τοποθετήστε τον προσαρμογέα αναρρόφησης. → σελίδα 110

**9.2 Καθαρισμός πριονόλαμων**

1. Απορητινώνετε τακτικά τις χρησιμοποιημένες πριονόλαμες.
2. Τοποθετήστε τις πριονόλαμες 24 ώρες σε πετρέλαιο ή προϊόν απορητινώσης του εμπορίου.



## 10 Μεταφορά και αποθήκευση επαναφορτιζόμενων εργαλείων και επαναφορτιζόμενων μπαταριών

### Μεταφορά

#### ΠΡΟΣΟΧΗ

#### Ακούσια ενεργοποίηση κατά τη μεταφορά !

- ▶ Μεταφέρετε τα προϊόντα σας πάντα χωρίς τις μπαταρίες τοποθετημένες!
- ▶ Αφαιρέστε την/τις επαναφορτιζόμενες μπαταρίες.
- ▶ Μην μεταφέρετε επαναφορτιζόμενες μπαταρίες ποτέ χύδην. Κατά τη μεταφορά θα πρέπει οι επαναφορτιζόμενες μπαταρίες να προστατεύονται από υπερβολικές κρούσεις και δονήσεις και να απομονώνονται από κάθε είδους αγωγή υλικά ή άλλες επαναφορτιζόμενες μπαταρίες, ώστε να μην έρθουν σε επαφή με άλλους πόλους μπαταριών και προκληθεί βραχυκύκλωμα. **Λάβετε υπόψη τις τοπικές προδιαγραφές μεταφοράς για επαναφορτιζόμενες μπαταρίες.**
- ▶ Δεν επιτρέπεται η αποστολή επαναφορτιζόμενων μπαταριών μέσω ταχυδρομείου. Απευθυνθείτε σε μια μεταφορική εταιρεία, όταν θέλετε να αποστείλετε άθικτες επαναφορτιζόμενες μπαταρίες.
- ▶ Ελέγχετε το προϊόν και τις επαναφορτιζόμενες μπαταρίες για τυχόν ζημιές πριν από κάθε χρήση καθώς και πριν και μετά από μεγαλύτερη διάρκεια μεταφοράς.

### Αποθήκευση

#### ΠΡΟΕΙΔΟΠΟΙΗΣΗ

#### Ακούσια πρόκληση ζημιάς από ελαττωματικές μπαταρίες. !

- ▶ Αποθηκεύετε τα προϊόντα σας πάντα χωρίς τις μπαταρίες τοποθετημένες!
- ▶ Αποθηκεύετε τα προϊόντα και τις επαναφορτιζόμενες μπαταρίες σε δροσερό και στεγνό χώρο. Προσέξτε τις οριακές τιμές θερμοκρασίας, που αναφέρονται στα τεχνικά χαρακτηριστικά.
- ▶ Μην φυλάτε επαναφορτιζόμενες μπαταρίες πάνω στον φορτιστή. Μετά τη διαδικασία φόρτισης, αφαιρέστε πάντα την επαναφορτιζόμενη μπαταρία από τον φορτιστή.
- ▶ Μην αποθηκεύετε ποτέ τις επαναφορτιζόμενες μπαταρίες στον ήλιο, πάνω σε πηγές θερμότητας ή πίσω από τζάμια.
- ▶ Αποθηκεύετε το προϊόν και τις επαναφορτιζόμενες μπαταρίες σε σημείο στο οποίο δεν έχουν πρόσβαση παιδιά και αναρμόδια άτομα.
- ▶ Ελέγχετε το προϊόν και τις επαναφορτιζόμενες μπαταρίες για τυχόν ζημιές πριν από κάθε χρήση καθώς και πριν και μετά από μεγαλύτερη διάρκεια αποθήκευσης.

## 11 Βοήθεια για προβλήματα

Σε βλάβες που δεν αναφέρονται σε αυτόν τον πίνακα ή δεν μπορείτε να αποκαταστήσετε μόνοι σας, απευθυνθείτε στο σέρβις της **Hilti**.

Βλάβη	Πιθανή αιτία	Λύση
Η πριονόλαμα πέφτει έξω.	Η πριονόλαμα δεν έχει ασφαλιστεί σωστά.	<ul style="list-style-type: none"> <li>▶ Επαναλάβετε τη διαδικασία σύσφιξης.</li> <li>▶ Βεβαιωθείτε ότι το τσοκ να είναι τελείως ανοιχτό και ότι πιέζετε την πριονόλαμα κόντρα στην αντίσταση.</li> </ul>
	Σύστημα σύσφιξης λερωμένο.	▶ Καθαρίστε το τσοκ.
Αδυναμία εισαγωγής πριονόλαμας.	Σύστημα σύσφιξης λερωμένο.	▶ Καθαρίστε το τσοκ.
Αδυναμία ρύθμισης παλινδρόμησης.	Εγκοπή του μοχλού παλινδρόμησης λερωμένη.	▶ Καθαρίστε την εγκοπή του μοχλού παλινδρόμησης από ακαθαρσίες.
Δεν λειτουργεί η παλινδρόμηση.	Μηχανισμός παλινδρόμησης λερωμένος.	▶ Ελέγξτε εάν υπάρχουν ακαθαρσίες στην περιοχή του διχαλού παλινδρόμησης και αφαιρέστε τις.
	Ο μοχλός παλινδρόμησης βρίσκεται στη θέση "0".	▶ Ρυθμίστε την επιθυμητή τιμή.



Βλάβη	Πιθανή αιτία	Λύση
Η μπαταρία αδειάζει πιο γρήγορα από ό,τι συνήθως.	Πολύ χαμηλή θερμοκρασία περιβάλλοντος.	▶ Αφήστε την μπαταρία να φτάσει σταδιακά σε θερμοκρασία δωματίου.
Η μπαταρία δεν κουμπώνει αισθητά κάνοντας "κλικ".	Οι προεξοχές ασφάλισης στην μπαταρία είναι λερωμένες.	▶ Καθαρίστε τις προεξοχές ασφάλισης και τοποθετήστε ξανά την μπαταρία.
1 LED αναβοσβήνει. Η συσκευή δεν λειτουργεί.	Η μπαταρία είναι αποφορτισμένη.  Η επαναφορτιζόμενη μπαταρία είναι πολύ κρύα ή πολύ ζεστή.	▶ Αντικαταστήστε την μπαταρία και φορτίστε την άδεια μπαταρία.  ▶ Αφήστε την μπαταρία να φτάσει σταδιακά σε θερμοκρασία δωματίου ή να κρυώσει.
Αναβοσβήνουν και τα 4 LED. Η συσκευή δεν λειτουργεί.	Υπερφόρτωση εργαλείου.	▶ Αφήστε ελεύθερο τον διακόπτη on/off και πατήστε τον ξανά. Αφήστε μετά το εργαλείο να λειτουργήσει περ. 30 δευτερόλεπτα χωρίς φορτίο.
Έντονη αύξηση θερμοκρασίας στο προϊόν ή στην επαναφορτιζόμενη μπαταρία.	Ηλεκτρική βλάβη	▶ Απενεργοποιήστε αμέσως το εργαλείο, αφαιρέστε την επαναφορτιζόμενη μπαταρία, παρατηρήστε τη, αφήστε τη να κρυώσει και επικοινωνήστε με το σέρβις της <b>Hilti</b> .

## 12 Διάθεση στα απορρίμματα



### ΠΡΟΕΙΔΟΠΟΙΗΣΗ

**Κίνδυνος τραυματισμού από ακατάλληλη διάθεση στα απορρίμματα!** Κίνδυνοι για την υγεία από εξερχόμενα αέρια ή υγρά.

- ▶ Μην αποστέλλετε επαναφορτιζόμενες μπαταρίες που έχουν υποστεί ζημιά!
- ▶ Καλύψτε τις συνδέσεις με ένα μη αγώγιμο υλικό, για να αποφύγετε βραχυκυκλώματα.
- ▶ Πετάξτε τις μπαταρίες έτσι ώστε να μην μπορούν να καταλήξουν στα χέρια παιδιών.
- ▶ Απορρίψτε την μπαταρία στο **Hilti Store** ή απευθυνθείτε στην αρμόδια επιχείρηση διάθεσης απορριμμάτων.

Τα προϊόντα της **Hilti** είναι κατασκευασμένα σε μεγάλο ποσοστό από ανακυκλώσιμα υλικά. Προϋπόθεση για την ανακύκλωσή τους είναι ο κατάλληλος διαχωρισμός των υλικών. Σε πολλές χώρες, η **Hilti** παραλαμβάνει το παλιό σας εργαλείο για ανακύκλωση. Απευθυνθείτε στο σέρβις της **Hilti** ή στον σύμβουλο πωλήσεών.



- ▶ Μην πετάτε τα ηλεκτρικά εργαλεία, της ηλεκτρονικές συσκευές και τις επαναφορτιζόμενες μπαταρίες στον κάδο οικιακών απορριμμάτων!

## 13 RoHS (οδηγία για τον περιορισμό της χρήσης επικίνδυνων ουσιών)

Στους ακόλουθους συνδέσμους θα βρείτε τον πίνακα επικίνδυνων ουσιών: [qr.hilti.com/r5212958](http://qr.hilti.com/r5212958)  
Έναν σύνδεσμο για τον πίνακα RoHS θα βρείτε στο τέλος αυτής της τεκμηρίωσης ως κωδικό QR.

## 14 Εγγύηση κατασκευαστή

- ▶ Για ερωτήσεις σχετικά με τους όρους εγγύησης απευθυνθείτε στον τοπικό συνεργάτη της **Hilti**.





# Orijinal kullanım kılavuzu

## 1 Kullanım kılavuzu bilgileri

### 1.1 Bu kullanım kılavuzu hakkında

- Aleti çalıştırmadan önce bu kullanım kılavuzunu mutlaka okuyunuz. Bu, güvenli çalışma ve arızasız kullanım için ön koşuldur.
- Bu kullanım kılavuzunda ve ürün üzerinde bulunan emniyet ve uyarı bilgilerine dikkat ediniz.
- Kullanım kılavuzunu her zaman ürün üzerinde bulundurunuz ve ürünü sadece bu kullanım kılavuzu ile birlikte başka kişilere veriniz.

### 1.2 Resim açıklaması

#### 1.2.1 Uyarı bilgileri

Uyarı bilgileri, ürün ile çalışırken ortaya çıkabilecek tehlikelere karşı uyarır. Aşağıdaki uyarı metinleri kullanılır:

#### TEHLİKE

##### TEHLİKE !

- ▶ Ağır vücut yaralanmalarına veya doğrudan ölüme sebep olabilecek tehlikeler için.

#### İKAZ

##### İKAZ !

- ▶ Ağır yaralanmalara veya ölüme neden olabilecek tehlikeler için.





#### DİKKAT

##### DİKKAT !

- ▶ Vücut yaralanmalarına veya maddi hasarlara yol açabilecek olası tehlikeli durumlar için.


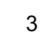


#### 1.2.2 Dokümandaki semboller

Bu dokümanda aşağıdaki semboller kullanılmıştır:

	Kullanmadan önce kullanım kılavuzunu okuyunuz
	Kullanım uyarıları ve diğer gerekli bilgiler
	Geri dönüşümlü malzemeler ile çalışma
	Elektrikli aletleri ve aküleri evdeki çöplere atmayınız

#### 1.2.3 Resimlerdeki semboller

Resimlerde aşağıdaki semboller kullanılmıştır:





	Bu sayılar, kılavuzun başlangıcındaki ilgili resimlere atanmıştır
	Numaralandırma, resimdeki çalışma adımlarının sırasını göstermektedir ve metindeki çalışma adımlarından farklı olabilir
	11 Pozisyon numaraları <b>Genel bakış</b> resminde kullanılır ve <b>Ürüne genel bakış</b> bölümündeki açıklama numaralarına referans niteliğindedir
	Bu işaret, ürün ile çalışırken dikkatinizi çekmek için koyulmuştur.

### 1.3 Ürüne bağlı semboller

#### 1.3.1 Üründeki semboller

Üründe aşağıdaki semboller kullanılmış olabilir:



$n_0$	Yüksüz strok sayısı
==	Doğru akım
	Ürün, iOS ve Android platformları ile uyumlu kablosuz veri aktarımını destekler.
Li-Ion	Lityum İyon akü
	Kullanılan <b>Hilti</b> Lityum İyon akü tip serisi. <b>Usulüne uygun kullanım</b> bölümündeki bilgileri dikkate alınız.
	Aküyü asla darbe aleti olarak kullanmayınız.
	Aküyü düşürmeyiniz. Darbe almış veya hasar görmüş bir aküyü kullanmayınız.

## 1.4 Ürün bilgileri

**HILTI** ürünleri profesyonel kullanıcıların kullanımı için öngörülmüştür ve sadece yetkili personel tarafından kullanılabilir ve bakımı yapılabilir. Bu personel, meydana gelebilecek tehlikeler hakkında özel olarak eğitim görmüş olmalıdır. Aletin ve ilgili yardımcı gereçlerin eğitimci personel tarafından usulüne uygun olmayan şekilde kullanılması veya amaçları dışında çalıştırılması sonucu tehlikeli durumlar söz konusu olabilir. Tip tanımı ve seri numarası, tip plakası üzerinde belirtilmiştir.

- Seri numarasını aşağıdaki tabloya aktarınız. Ürüne yönelik sorularınız ile ilgili departmanımıza veya servis noktamıza başvururu yaptığınızda bu bilgileri belirtiniz.

### Ürün bilgileri

Sarkaç hareketli dekapaj testeresi	SJT 6-A22
Nesil	01
Seri no.	

## 1.5 Uygunluk beyanı

Burada tanımlanan ürünün, geçerli yönetmeliklere ve normlara uygun olduğunu kendi sorumluluğumuzda beyan ederiz. Bu dokümanın sonunda uygunluk beyanının bir kopyasını bulabilirsiniz.

Teknik dokümantasyonlar burada saklanır:

Hilti Entwicklungsgesellschaft mbH | Zulassung Geräte | Hiltistraße 6 | 86916 Kaufering, DE

## 2 Güvenlik

### 2.1 Elektrikli el aletleri için genel güvenlik uyarıları

**⚠ İKAZ** Bu elektrikli el aletine yönelik tüm güvenlik uyarılarını, talimatları, resimli açıklamaları ve teknik verileri dikkatlice okuyunuz. Aşağıdaki talimatlara uyulmaması durumunda elektrik çarpması, yangın ve/veya ağır yaralanmalar söz konusu olabilir.

**Tüm güvenlik uyarılarını ve kullanım talimatlarını muhafaza ediniz.**

Güvenlik uyarılarında kullanılan "Elektrikli el aleti terimi, şebeke işletimli elektrikli el aletleri (şebeke kablosu ile) veya akü işletimli elektrikli el aletleri (şebeke kablosu olmadan) ile ilgilidir.

#### İş yeri güvenliği

- **Çalışma alanınızı temiz ve aydınlık tutunuz.** Düzensiz veya aydınlatma olmayan çalışma alanları kazalara yol açabilir.
- **Yanıcı sıvıların, gazların veya tozların bulunduğu patlama tehlikesi olan yerlerde elektrikli el aleti ile çalışmayınız.** Elektrikli el aletleri, toz veya buhar yakabilecek kıvılcım oluşturur.
- **Elektrikli el aletini kullanırken çocukları ve diğer kişileri uzak tutunuz.** Dikkatiniz dağılırsa aletin kontrolünü kaybedebilirsiniz.

#### Elektrik güvenliği

- **Elektrikli el aletinin bağlantı fişi prize uygun olmalıdır. Fiş hiçbir şekilde değiştirilmemelidir. Adaptör fişini topraklama korumalı elektrikli el aletleri ile birlikte kullanmayınız.** Değiştirilmemiş fişler ve uygun prizler elektrik çarpması riskini azaltır.



- **Borular, radyatörler, fırınlar ve buzdolapları gibi toprağa temas eden üst yüzeylere vücudunuzla temas etmekten kaçınınız.** Vücudunuzun toprakla teması var ise yüksek bir elektrik çarpması riski söz konusudur.
- **Elektrikli el aletini yağmurdan veya ıslaklıktan uzak tutunuz.** Elektrikli el aletine su girmesi, elektrik çarpması riskini artırır.
- **Elektrikli el aletini taşımak, asmak veya fişi prizden çekmek için bağlantı kablosunu kullanım amacı dışında kullanmayınız.** Bağlantı kablosunu sıcağtan, yağdan, keskin kenarlardan ve hareketli parçalardan uzak tutunuz. Hasarlı veya dolanmış bağlantı kabloları elektrik çarpması riskini artırır.
- **Elektrikli bir el aleti ile açık alanda çalışacaksanız, sadece dışarıda kullanımına izin verilen uzatma kabloları kullanınız.** Dış mekanlar için uygun olan uzatma kablolarının kullanılması elektrik çarpması riskini azaltır.
- **Elektrikli el aleti işletiminin nemli ortamda yapılması kaçınılmaz ise bir kaçak akım koruma şalteri kullanınız.** Bir kaçak akım koruma şalterinin kullanımı elektrik çarpması riskini azaltır.

### Kişilerin güvenliği

- **Dikkatli olunuz, ne yaptığınıza dikkat ediniz ve elektrikli el aleti ile mantıklı bir şekilde çalışınız.** Yorgunsanız veya uyuşturucu, alkol veya ilaç etkisi altında olduğunuzda elektrikli el aleti kullanmayınız. Elektrikli el aletini kullanırken bir anlık dikkatsizlik ciddi yaralanmalara neden olabilir.
- **Kişisel koruyucu donanım ve her zaman bir koruyucu gözlük takınız.** Elektrikli el aletinin türüne ve kullanımına göre toz maskesi, kaymayan güvenlik ayakkabısı, koruyucu kask veya kulaklık gibi kişisel koruyucu donanımların kullanılması yaralanma riskini azaltır.
- **İstem dışı çalışmayı önleyiniz.** Güç kaynağına ve/veya aküyü bağlamadan, girişini yapmadan veya taşımadan önce elektrikli el aletinin kapalı olduğundan emin olunuz. Elektrikli el aletini taşıırken parmağınız şalterde ise veya alet açık konumda güç kaynağına takılırsa bu durum kazalara yol açabilir.
- **Elektrikli el aletini devreye almadan önce ayar aletlerini veya vidalama anahtarlarını çıkartınız.** Dönen bir alet parçasında bulunan bir alet veya anahtar yaralanmalara yol açabilir.
- **Aşırı bir vücut hareketinden sakınınız. Güvenli bir duruş sağlayınız ve her zaman dengeli tutunuz.** Böylece beklenmedik durumlarda elektrikli el aletini daha iyi kontrol edebilirsiniz.
- **Uygun kıyafetler giyiniz. Bol kıyafetler giymeyiniz veya takı takmayınız. Saçları, kıyafetleri ve eldivenleri hareket eden parçalardan uzak tutunuz.** Bol kıyafetler, takı veya uzun saçlar hareket eden parçalara takılabilir.
- **Toz emme ve tutma tertibatları monte edilebiliyorsa bunların bağlı olduğundan ve doğru kullanıldığınından emin olunuz.** Bu toz emme tertibatının kullanımı tozdan kaynaklanabilecek tehlikeleri azaltabilir.
- **Kendi güvenliğinizi riske atmayınız ve elektrikli el aletleri kullanımında son derece tecrübeli olsanız bile ilgili güvenlik kurallarını ihlal etmeyiniz.** Dikkatsiz kullanım saniyeler içerisinde ciddi yaralanmalara neden olabilir.

### Elektrikli el aletinin kullanımı ve çalıştırılması

- **Aleti çok fazla zorlamayın. Çalışmanız için uygun olan elektrikli el aletini kullanın.** Uygun elektrikli el aleti ile bildirilen hizmet alanında daha iyi ve güvenli çalışsınız.
- **Şalteri bozuk olan elektrikli el aletini kullanmayınız.** Açılıp kapatılmayan bir elektrikli el aleti tehlikelidir ve tamir edilmesi gerekir.
- **Alet ayarlarını yapmadan, aksesuar parçalarını değiştirmeden veya aleti bir yere koymadan önce fişi prizden ve/veya (çıkartılabilir) aküyü aletten çıkartınız.** Bu önlem, elektrikli el aletinin istem dışı çalışmasını engeller.
- **Kullanılmayan elektrikli el aletlerini çocukların erişemeyeceği yerde muhafaza edin. Aleti iyi tanımayan veya bu talimatları okumamış kişilere aleti kullandırmayınız.** Elektrikli el aletleri bilgisiz kişiler tarafından kullanılırsa tehlikelidir.
- **Elektrikli el aletlerinin ve aksesuarlarının bakımını titizlikle yapınız. Hareketli parçaların kusursuz çalıştığı ve sıkışmadığı, parçaların kırılıp kırılmadığı veya hasar görüp görmediği, elektrikli el aleti fonksiyonlarının kısıtlanma durumlarını kontrol ediniz. Hasarlı parçaları aleti kullanmadan önce tamir ettiriniz.** Birçok kazanın nedeni bakımı kötü yapılan elektrikli el aletleridir.
- **Kesme aletlerini keskin ve temiz tutun.** Özenle bakımı yapılmış keskin bıçak kenarı olan kesme aletleri daha az sıkışır ve kullanımı daha rahattır.
- **Elektrikli el aletini, aksesuarları, ek aletleri vb. bu talimatlara göre kullanın. Çalışma şartlarını ve yapılacak işi de ayrıca göz önünde bulundurun.** Elektrikli el aletlerinin öngörülen kullanımı dışında kullanılması tehlikeli durumlara yol açabilir.
- **Tutamağı ve tutamak yüzeylerini daima temiz ve yağ ve gresten arındırılmış durumda tutunuz.** Kaygan tutamaklar ve tutamak yüzeyleri güvenli bir kullanımı ve öngörülemez durumlarda elektrikli el aletinin kontrolünü engeller.



**Akülü el aletin kullanımı ve çalıştırılması**

- ▶ **Akülerini sadece üretici tarafından tavsiye edilen şarj cihazları ile şarj ediniz.** Belirli bir akü için uygun olan bir şarj cihazı, başka akülerle kullanılırsa yanma tehlikesi vardır.
- ▶ **Elektrikli el aletlerinde sadece bunun için öngörülen aküler kullanılmalıdır.** Başka akülerin kullanılması yaralanmalara ve yanma tehlikelerine yol açabilir.
- ▶ **Kullanılmayan aküleri, kontakların köprülenmesine sebep olabilecek ataçlar, madeni paralar, anahtarlar, çiviler, vidalar veya diğer küçük metal cisimlerden uzak tutunuz.** Akü kontakları arasındaki kısa devre yanmalara veya alev oluşumuna sebep olabilir.
- ▶ **Yanlış kullanımda aküden sıvı çıkabilir. Bunlar ile teması önleyiniz. Yanlışlıkla temasta su ile durulayınız. Sıvı gözlerle temas ederse ayrıca doktor yardımı isteyiniz.** Dışarı akan akü sıvısı cilt tahrişine ve yanmalarına yol açabilir.
- ▶ **Hasarlı veya değiştirilmiş aküleri kullanmayınız.** Hasarlı veya değiştirilmiş aküler öngörülemez şekilde yangın, patlama veya yaralanma tehlikesi içeren tutumlara neden olabilir.
- ▶ **Akülerini açık ateş yakınına koymayınız veya yüksek sıcaklıklara maruz bırakmayınız.** Açık ateş veya 130°C'nin (265°F) üzerinde sıcaklıklar patlama tehlikesine neden olabilir.
- ▶ **Tüm şarj talimatlarına uyunuz ve akülü veya akülü aleti kullanım kılavuzunda öngörülen sıcaklık aralığının dışında şarj etmeyiniz.** Hatalı şarj veya öngörülen sıcaklık aralığının dışındaki şarj işlemleri akünün zarar görmesine ve yangın tehlikesine neden olabilir.

**Servis**

- ▶ **Elektrikli el aletinizi sadece kalifiye uzman personele ve sadece orijinal yedek parçalar ile tamir ettiriniz.** Böylece aletin güvenliğini korunduğundan emin olunur.
- ▶ **Hasarlı akülere bakım yapmayınız.** Akülere yönelik tüm bakım çalışmaları sadece üretici veya yetkili müşteri hizmetleri tarafından yapılmalıdır.

**2.2 İleri-geri hareket eden testere bıçağı ile testereleme için güvenlik uyarıları**

- ▶ **Ek aletin gizli elektrik kablolarına temas edebileceği yerlerde çalışıyorsanız elektrikli el aletini izole edilmiş tutamak yüzeyinden tutunuz.** Elektrik ileten bir hat ile temasta metal parçalar da gerilim altında kalır ve elektrik çarpmasına neden olabilir.
- ▶ **Keseceğiniz parçayı kısırtarak veya başka bir şekilde sabit bir zemine sabitleyip, emniyete alınız.** Keseceğiniz parçayı sadece elinizle veya vücudunuza dayayarak tutmanız halinde, parça sağlam durmaz ve kontrol kaybına yol açabilir.

**2.3 Ek güvenlik uyarıları****Kişilerin güvenliği**

- ▶ Aleti sadece teknik olarak kursuzdurumdayken kullanınız.
- ▶ Alette hiçbir zaman manipülasyonlar veya değişiklikler yapmayınız.
- ▶ Tutamakları kuru ve temiz tutunuz.
- ▶ Aletin kullanımı sırasında uygun bir koruyucu gözlük, kulaklık ve koruyucu eldiven kullanınız.
- ▶ Ek aleti değiştirirken koruyucu eldiven takınız. Ek alete takılan uçlara dokunmak, kesik ve yanık türünde yaralanmalara yol açabilir.
- ▶ Koruyucu gözlük kullanınız. Etrafa sıçrayan malzeme vücudu ve gözleri yaralayabilir.
- ▶ Dekupaj teskeresinin ışığına (LED) doğrudan bakmayınız ve ışığı doğrudan başkalarının yüzüne doğru tutmayınız. "Kör olma tehlikesi" vardır.
- ▶ Çalışmaya başlamadan önce çalışma sırasında ortaya çıkan tozun tehlike sınıfını öğreniniz. Ülkemizdeki tozdan koruma yönergelerine uygun bir resmi koruma sınıfına sahip toz emme tertibatı kullanınız.
- ▶ Çalışma yerinin iyi havalandırmasını sağlayınız ve gerektiği durumlarda ilgili toz için uygun olan bir maske kullanınız. Tozlara dokunulması veya tozların solunması, kullanıcıda veya yakınında bulunan kişilerde alerjik reaksiyonlara ve/veya solunum yolu hastalıklarına yol açabilir. Kayın veya meşe ağacı gibi belli tür tozlar özellikle ahşap işlemede ek maddelerle (kromat, ahşap koruyucu malzemeler) bağlantılı çalışıldığında kanser yapıcı olarak kabul edilir. Asbest içerikli malzemeler sadece uzman kişiler tarafından işlenmelidir.
- ▶ Parmaklarınızdaki kan dolaşımının daha iyi olması için çalışma molaları verin ve parmak egzersizleri yapın. Uzun süreli çalışmalarda titreşimden dolayı parmaklar, eller veya bileklerdeki kan damarlarında veya sinir sisteminde rahatsızlıklar oluşabilir.

**Elektrik güvenliği**

- ▶ Çalışmaya başlamadan önce çalışma alanında üzeri kapatılmış elektrik kablosu, gaz ve su borusu bulunup bulunmadığını kontrol edin. Bir elektrik hattına kazara zarar verilmesi halinde, aletin dışındaki metal parçalar elektrik çarpmasına neden olabilir.



## Elektrikli el aletleri ile dikkatli çalışılması ve aletin doğru kullanılması

- ▶ Aleti emniyete alınız. Bir germe tertibatı veya mengene ile sabitlenen iş parçası, sadece elle tutulana göre daha emniyetlidir.

### Dekupaj testereleri için özel güvenlik uyarıları

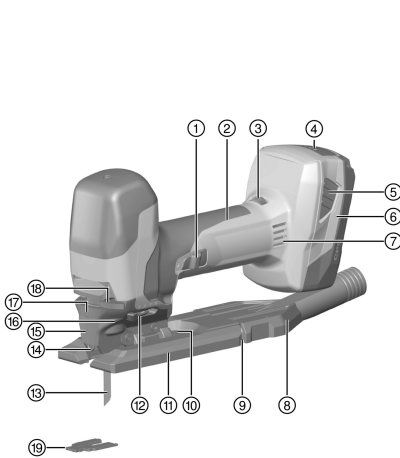
- ▶ Çalışırken aleti daima vücudunuzdan öteye doğru sürünüz.
- ▶ Ellerinizi asla testere bıçağının önünde veya yanında tutmayınız.
- ▶ Bilmediğiniz zeminleri kesmeyiniz ve kesme yolunun üstünü ve altını boş tutunuz.
- ▶ Kesme sırasında, kestiğiniz parçanın altından tutmayınız..

## 2.4 Akülü aletlerin özenli çalıştırılması ve kullanımı

- ▶ Lityum İyon akülerin taşıma, depolama ve kullanımına yönelik özel talimatları dikkate alınız.
- ▶ Aküler, yüksek sıcaklıklarda, doğrudan güneş ışığından ve ateşten uzak tutulmalıdır.
- ▶ Aküler parçalarına ayrılmalı, ezilmemeli, 80°C (176°F) üzerine ısıtılmamalı veya yakılmamalıdır.
- ▶ Darbe almış, bir metreden daha yüksek bir yerden düşmüş veya başka bir şekilde hasar görmüş aküleri kullanmayınız veya şarj etmeyiniz. Bu durumda her zaman **Hilti servisi** ile irtibat kurunuz.
- ▶ Akü tutulamayacak kadar sıcaksa arızalı olabilir. Pili, yanıcı malzemelere yeterli mesafede, görünür ve yanıcı olmayan bir yere yerleştiriniz. Aküyü soğumaya bırakınız. Akü bir saat sonra hala dokunulamayacak kadar sıcaksa, arızalı demektir. **Hilti servisi** ile iletişim kurunuz.

## 3 Tanımlama

### 3.1 Ürüne genel bakış



- ① Açma/kapatma şalteri
- ② Tutamak
- ③ Strok sayısı ayarı için ayar çarkı
- ④ Akü şarj durumu göstergesi
- ⑤ Akü kilit açma tuşu
- ⑥ Akü
- ⑦ Havalandırma delikleri
- ⑧ Emme adaptörü
- ⑨ Sabitleme mandalı
- ⑩ Kesim açısının ayarlanması için ölçer
- ⑪ Ana plaka
- ⑫ Sarkaç hareketi ayarları için kol
- ⑬ Testere bıçağı
- ⑭ Dokunma koruması
- ⑮ Koruma kapağı
- ⑯ Alet bağlantı yeri
- ⑰ LED lamba
- ⑱ Testere bıçağını serbest bırakma kolu
- ⑲ Kopan talaşı koruması

### 3.2 Usulüne uygun kullanım

Tanımlanan ürün elle yönlendirilen, akülü bir sarkaç hareketli dekupaj testeredir. Plastik, ahşap ve metal malzemelerin yanı sıra alçı ve fiber plakaları kesmek için tasarlanmıştır.

Ürün, piyasada bulunan emme hortumlarına göre tasarlanmış olan isteğe bağlı bir toz emici için çıkartılabilir bir bağlantı ağızyla donatılmıştır. Emme hortumunu ürüne bağlamak için uygun bir adaptör gerekebilir.

- ▶ Bu ürün için sadece B 22 tip serisi **Hilti** Lityum İyon aküler kullanınız.
- ▶ Bu aküler için sadece C4/36 serisi **Hilti** şarj cihazları kullanınız.



- Bu ürün için sadece (bağlama sapı olarak) T-şaftlı testere bıçakları kullanınız.

### 3.3 Olası yanlış kullanım

- Ürün dal ve ağaç gövdelerinin kesilmesi için kullanılmamalıdır.
- Ürün sağlığa zarar veren maddelerin işlenmesi için kullanılmamalıdır.
- Ürün nemli ortamlardaki çalışmalarda kullanılmamalıdır.

### 3.4 Şarj durumu göstergesi

Lityum İyon akülerin şarj durumu, kilit açma tuşuna hafifçe bastırıldıktan (en fazla hissedilebilir bir direnç fark edene kadar) sonra gösterilir.

Durum	Anlamı
4 LED yanıyor.	Şarj durumu: %75 ile %100 arası
3 LED yanıyor.	Şarj durumu: %50 ile %75 arası
2 LED yanıyor.	Şarj durumu: %25 ile %50 arası
1 LED yanıyor.	Şarj durumu: %10 ile %25 arası
1 LED yanıp sönmüyor.	Şarj durumu: < %10

**i** Kumanda şalterine basılıyken ve kumanda şalteri bırakıldıktan sonra 5 saniye içinde şarj durumu sorgusu yapmak mümkün değildir. Akü şarj durumu göstergesinin KD'lerle yanıp söndüğünde lütfen Arızalar bölümündeki uyarıları dikkate alınız.

### 3.5 Talaş üfleme düzeneği

Talaş üfleme düzeneği, kesim kenarında talaş kalmasını önlemek için, testere bıçağına doğru bir hava akımı oluşturur.

### 3.6 Strok sayısı

Strok sayısı ayar çarkı kullanılarak ayarlanabilir. Konum 1, dakikada 800 strok'a, konum 6 ise dakikada 3000 strok'a karşılık gelir.

### 3.7 4 kademeli sarkaç hareketi

4 kademeli sarkaç hareketi sayesinde, kesme performansı ve kesit görüntüsü, kesilen malzemenin özelliklerine uyarlanabilir. Sarkaç stroku ayar kolu vasıtasıyla 4 kademe arasında geçiş yapılır.

Kesim kenarının ne kadar temiz ve pürüzsüz olması isteniyorsa o kadar küçük bir sarkaç hareket kademesi seçilmelidir. Deneme yanılma yolu ile en iyi ayar belirlenebilir.

Durum	Anlamı
Kademe 0	Sarkaç hareketi yok
Kademe 1	Düşük düzeyde sarkaç hareketi
Kademe 2	Orta düzeyde sarkaç hareketi
Kademe 3	Yüksek düzeyde sarkaç hareketi

### 3.8 Kopan talaş koruması

Ürün bir kopan talaş koruması ile donatılabilir.

Kopan talaş koruması sayesinde, ahşap malzemelerin kesimi sırasında yüzeyden parça kopma önlenir.

### 3.9 Aletin otomatik kapanması

Açma / kapatma şalterine 15 dakikadan uzun süre devamlı sürekli basıldığında (örn. taşıma veya depolama esnasında) alet otomatik olarak kapanır. Böylece akünün bitmesi engellenir.

### 3.10 Teslimat kapsamı

Testere bıçağı, koruma kapağı, emme adaptörü, kopan talaş koruması, kullanım kılavuzu, iç altıgen anahtar ile birlikte sarkaç hareketli dekupaj testeresi.



Ürünleriniz için uygun diğer sistem ürünlerini **Hilti** Center veya internetteki şu adreste bulabilirsiniz:  
[www.hilti.com](http://www.hilti.com)

## 4 Teknik veriler

### 4.1 Sarkaç hareketli dekapaj testeresi

	<b>SJT 6-A22</b>
<b>Nominal gerilim</b>	21,6 V
<b>EPTA Procedure 01 uyarınca B22/8.0 akümülatör dahil ağırlık</b>	3,2 kg
<b>Strok boyu</b>	28 mm
<b>Yüksüz strok sayısı (n<sub>0</sub>)</b>	800 dev/dak ... 3.000 dev/dak
<b>Ahşapta maksimum kesme performansı</b>	150 mm
<b>Alüminyumda maksimum kesme performansı</b>	25 mm
<b>Alaşimsız çelikte maksimum kesme performansı</b>	10 mm
<b>Kesme açısı (sol / sağ)</b>	0° ... 45°
<b>Emme adaptörünün dış çapı</b>	27,5 mm
<b>Depolama sıcaklığı</b>	-20 °C ... 70 °C
<b>İşletim sırasındaki ortam sıcaklığı</b>	-17 °C ... 60 °C
<b>Şarj başlangıcında akü sıcaklığı</b>	-10 °C ... 45 °C
<b>Depolama sıcaklığı</b>	-20 °C ... 40 °C
<b>İşletim sırasındaki ortam sıcaklığı</b>	-17 °C ... 60 °C

### 4.2 EN 62841 uyarınca ses bilgisi ve titreşim değerleri

Bu talimatlarda belirtilen ses basıncı ve titreşim değerleri, ilgili normlara uygun bir ölçüm metodu ile ölçülmüştür ve elektrikli el aletlerinin birbirleri ile karşılaştırılması için kullanılabilir. Zorlanmaların geçici olarak değerlendirilmesine de uygundur.

Belirtilen değerler, elektrikli el aletinin ana kullanım alanlarını temsil eder. Elektrikli el aletinin, farklı ek aletlerle veya yetersiz bakım yapılmış şekilde kullanılması durumunda, veriler sapma gösterebilir. Bu durum, toplam çalışma süresi boyunca zorlanmayı belirgin şekilde yükseltebilir.

Doğru bir zorlanma değerlendirmesi için aletin kapatıldığı veya çalışır konumda olduğu ve ayrıca kullanımda olmadığı zamanlar da dikkate alınmalıdır. Bu durum, toplam çalışma süresi boyunca zorlanmayı belirgin şekilde azaltabilir.

Kullanıcıyı ses ve/veya titreşimin etkilerinden koruyacak ek güvenlik önlemleri belirleyiniz, örneğin: Elektrikli el aletinin ve ek aletlerin bakımının yapılması, ellerin sıcak tutulması, iş akışlarının düzenlenmesi.

#### Ses emisyonu değerleri

	<b>SJT 6-A22</b>
<b>Ses gücü seviyesi (L<sub>WA</sub>)</b>	100 dB(A)
<b>Ses gücü seviyesi için emniyetsizlik (K<sub>WA</sub>)</b>	5 dB(A)
<b>Ses basıncı seviyesi (L<sub>pA</sub>)</b>	89 dB(A)
<b>Ses basıncı seviyesi için emniyetsizlik (K<sub>pA</sub>)</b>	5 dB(A)

#### Toplam titreşim değerleri

	<b>SJT 6-A22</b>
<b>Ahşap plakaların kesilmesindeki titreşim emisyon değeri (a<sub>h,B</sub>)</b>	5,0 m/sn <sup>2</sup>
<b>Sunta levhalarının testerelemesi için emniyetsizlik (K)</b>	1,5 m/sn <sup>2</sup>
<b>Metal levhaların kesilmesindeki titreşim emisyon değeri (a<sub>h,M</sub>)</b>	7,9 m/sn <sup>2</sup>
<b>Metal levhalarının testerelemesinde emniyetsizlik (K)</b>	1,5 m/sn <sup>2</sup>



<b>Akü çalışma gerilimi</b>	21,6 V
<b>İşletim sırasındaki ortam sıcaklığı</b>	-17 °C ... 60 °C
<b>Depolama sıcaklığı</b>	-20 °C ... 40 °C
<b>Şarj başlangıcında akü sıcaklığı</b>	-10 °C ... 45 °C

**6 Çalışma hazırlığı****⚠ İKAZ****Yaralanma tehlikesi kazara çalışmaya başlama nedeniyle!**

- ▶ Aküyü takmadan önce ilgili ürünün kapalı konumda olduğundan emin olunuz.
- ▶ Cihazın ayarlarını yapmadan veya aksesuarları değiştirmeden önce aküyü çıkartınız.

Bu dokümanda ve ürün üzerinde bulunan güvenlik ve uyarı bilgilerine dikkat ediniz.

**6.1 Akünün şarj edilmesi**

1. Şarj etmeden önce şarj cihazının kullanım kılavuzunu okuyunuz.
2. Akü ve şarj cihazının kontaklarının temiz ve kuru olmasına dikkat ediniz.
3. Aküyü izin verilen şarj cihazında şarj ediniz. → Sayfa 119

**6.2 Akünün yerleştirilmesi****⚠ İKAZ****Yaralanma tehlikesi kısa devre veya akünün düşmesi nedeniyle!**

- ▶ Aküyü yerleştirmeden önce, akü kontaklarında ve ürün içindeki kontaklarda yabancı cisim bulunmadığından emin olunuz.
  - ▶ Akünün her zaman tam oturduğundan emin olunuz.
1. İlk kullanım öncesinde akü tamamen şarj edilmelidir.
  2. Aküyü ürüne, duyulur şekilde yerine oturana kadar itiniz.
  3. Akünün alette emniyetli bir şekilde yerleşip yerleşmediğini kontrol ediniz.

**6.3 Akünün çıkartılması**

1. Akünün serbest bırakma düğmelerine basınız.
2. Aküyü aletten çıkartınız.

**6.4 Testere bıçağının yerleştirilmesi 2**

1. Aküyü çıkartınız.
2. Testere bıçağını (dişleri kesme yönüne gelecek şekilde) alet bağlantı yerine iyice yerine oturana kadar bastırınız.
3. Testere bıçağının yerine emniyetli bir şekilde kilitlemiş olup olmadığını bıçağı yerinden çekerek kontrol ediniz.

**6.5 Koruma kapağının yerine takılması 3**

1. Aküyü çıkartınız.
2. Koruma kapağını, ürünün üzerinde yerine tam oturuncaya kadar önden arkaya doğru itiniz.



Koruma kapağı, sadece ana plaka normal konumda (yani sıfır derece konumunda) bulunduğu zaman, yerine yerleştirilebilir.

**6.6 Emme adaptörünün takılması 4**

1. Emme adaptörünü arkadan, her iki sabitleme mandalı yanlardan yerlerine oturuncaya kadar, yatay olarak ana plakaya doğru itiniz.
2. Toz emicinin hortumunu emme adaptörüne takınız.





## 7 Kullanım

Bu dokümanda ve ürün üzerinde bulunan güvenlik ve uyarı bilgilerine dikkat ediniz.

### 7.1 Toz emme tertibatının kullanılması

**i** Toz emme tertibatı toz kirlenmesini azaltır, kesilen yerin daha iyi görülmesi sayesinde iş emniyetini artırır ve toz ve talaş nedeniyle iş yeri kirlenmesinin önüne geçer.

1. Koruma kapağını yerine takınız. → Sayfa 122
2. Eğer uzun bir süre, yüksek yoğunlukta toz oluşturabilecek malzemeler veya ahşapla çalışma yapacaksanız her zaman toz emme tertibatı kullanınız.

### 7.2 Ürünün açılması

1. Aküyü yerleştiriniz.

**i** Bir güvenlik fonksiyonu aracılığıyla, aletin açılması ve akünün alet tutucusuna itilmesi durumunda aletin çalışmaması sağlanır.  
Önce açma/kapatma şalterini tekrar geri ve ardından yeniden öne itiniz.

2. Ürünü açmak için açma/ kapatma şalterini öne doğru itiniz.

### 7.3 Daldırmalı kesme

1. Sarkaç stroku ayar kolunu 0 konumuna getiriniz.
2. Ürünü, ana plakanın ön kenarı kesilecek parçanın üzerine gelecek şekilde tutunuz.
3. Ürünü sıkı tutunuz ve açma / kapatma şalterine basınız.
4. Ürünü kesilecek parçaya doğru güçlü bir şekilde bastırınız ve çalışma açısını düşürerek bıçağı malzemeye daldırınız.
5. Bıçak kesilecek parçaya girdiğinde ürünü normal çalışma konumuna getiriniz.
  - ▶ Ana plaka tümüyle yüzeyin üzerinde bulunmalıdır.
6. Kesme hattı boyunca kesmeye devam ediniz.

### 7.4 Ürünün kapatılması

- ▶ Ürünü kapatmak için açma/ kapatma şalterini arkaya doğru itiniz.

## 8 Sökme

### 8.1 Emme adaptörünün sökülmesi

1. Her iki sabitleme mandalını içe doğru bastırınız.
2. Emme adaptörünü geriye doğru çekerek ana plakadan ayırınız.
3. Toz emicinin hortumunu emme adaptöründen ayırınız.

### 8.2 Koruma kapağının sökülmesi

1. Aküyü çıkartınız.
2. Koruma kapağını hafifçe eğiniz ve öne doğru çekiniz.

### 8.3 Testere bıçağının çıkartılması

#### İKAZ

**Yaralanma tehlikesi.** Testere bıçağının kontrolsüz bir şekilde yerinden çıkması yaralanmalara neden olabilir.

- ▶ Testere bıçağını çıkartırken, ürünü, bıçağın çıkartılması sırasında herhangi bir insan veya hayvanın yaralanmayacağı şekilde tutunuz.

1. Aküyü çıkartınız.
2. Testere bıçağını serbest bırakma kolunu durdurma noktasına dayanıncaya kadar kenara doğru döndürünüz.
  - ▶ Testere bıçağı serbest kalır ve yerinden çıkartılır.



**⚠ İKAZ****Takılı aküden dolayı yaralanma tehlikesi !**

- Tüm bakım ve onarım çalışmalarından önce her zaman aküyü çıkarınız!

**Ürün bakımı**

- Yapışmış olan kirleri dikkatle çıkartınız.
- Eğer mevcutsa, havalandırma deliklerini kuru ve yumuşak bir fırça ile dikkatlice temizleyiniz.
- Gövdeyi sadece hafif nemli bir temizlik bezi ile temizleyiniz. Plastik parçalara yapışabileceğinden silikon içerikli bakım maddeleri kullanmayınız.
- Ürünün üzerindeki kontak noktalarını temizlemek için temiz ve kuru bir bez kullanınız.

**Lityum İyon akülerin bakımı**

- Bir aküyü asla havalandırma delikleri tıkalıyken kullanmayınız. Havalandırma deliklerini kuru, yumuşak bir fırça ile dikkatlice temizleyiniz.
- Akünün gereksiz yere toza veya kire maruz kalmamasını sağlayınız. Aküyü asla yüksek neme maruz bırakmayınız (örneğin suya daldırmayınız veya yağmurda bırakmayınız).  
Bir akünün ıslanması halinde, ona hasarlı bir akü gibi davranınız. Yanıcı olmayan bir kabın içinde izole ediniz ve **Hilti** servisine başvurunuz.
- Aküyü yabancı yağ ve gresten uzak tutunuz. Akünün üzerinde gereksiz yere toz veya kir birikmesine izin vermeyiniz. Aküyü kuru, yumuşak bir fırça veya temiz, kuru bir bezle temizleyiniz. Plastik parçalara yapışabileceğinden silikon içerikli bakım maddeleri kullanmayınız.  
Akünün kontak noktalarına dokunmayınız ve kontak noktalarına fabrikada uygulanmış olan gresi kesinlikle çıkartmayınız.
- Gövdeyi sadece hafif nemli bir temizlik bezi ile temizleyiniz. Plastik parçalara yapışabileceğinden silikon içerikli bakım maddeleri kullanmayınız.

**Bakım**

- Görünür tüm parçalarda hasar olup olmadığını ve kumanda elemanlarının sorunsuz şekilde çalışıp çalışmadığını düzenli olarak kontrol ediniz.
- Hasar ve/veya fonksiyon arızaları durumunda ürünü işletmeyiniz. Ürünü gecikmeden **Hilti** servisine tamir ettiriniz.
- Bakım ve onarım çalışmalarından sonra tüm koruma tertibatlarını yerleştiriniz ve bunların fonksiyonlarını sorunsuz olarak yerine getirmekte olup olmadıklarını kontrol ediniz.



Güvenli çalışma için sadece orijinal yedek parçalar ve tüketim malzemeleri kullanınız. **Hilti** tarafından onaylanmış, yedek parçaları, aksesuarları ve sarf malzemelerini **Hilti Store** veya şu adreste bulabilirsiniz: [www.hilti.group](http://www.hilti.group)

**9.1 Emme adaptörünün temizlenmesi**

1. Aküyü çıkartınız.
2. Emme adaptörünü sökünüz. → Sayfa 123
3. Emme adaptörünü temizleyiniz.
4. Sabitleme mandallarının hasar görmüş olup olmadıklarını kontrol ediniz.
5. Emme adaptörünü takınız. → Sayfa 122

**9.2 Testere bıçaklarının temizlenmesi**

1. Kullanılan testere bıçaklarının üzerinde kalan reçineleri düzenli olarak temizleyiniz.
2. Testere bıçaklarını 24 saat süreyle gaz yağına veya piyasada satılan bir reçine çözücüye yatırınız.

**10 Akülü aletlerin ve akülerin taşınması ve depolanması****Taşıma****⚠ DİKKAT****Taşıma sırasında aletin istem dışı çalışması !**

- Ürünlerinizi her zaman aküler takılı olmadan taşıyınız!
- Aküleri çıkartınız.



- ▶ Aküleri kesinlikle sıkıca bağlanmamış koruma ile nakletmeyiniz. Nakliye sırasında, aküler aşırı şok ve titreşimlerden korunmalı ve başka akü kutupları ile temas ederek kısa devreye neden olmaları için, her türlü iletken malzeme veya diğer akülerden izole edilmiş olmalıdır. **Aküler için yerel taşıma talimatlarını dikkate alınız.**
- ▶ Aküler posta ile gönderilmemelidir. Hasarsız aküleri sevk etmek istememeniz halinde, bir nakliye şirketine başvurunuz.
- ▶ Ürünün ve akülerin hasar görmüş olup olmadığını her kullanımdan önce olduğu gibi uzun taşımalardan önce ve sonra kontrol ediniz.

## Depolama



### İKAZ

#### Arızalı veya akan aküler nedeniyle beklenmeyen hasar oluşumu !

- ▶ Ürünlerinizi her zaman aküleri yerleştirmeden depolayınız!
- ▶ Ürünü ve aküleri serin ve kuru bir yerde muhafaza ediniz. Teknik verilerde belirtilen sıcaklık sınır değerlerini dikkate alınız.
- ▶ Aküleri şarj cihazının üzerinde muhafaza etmeyiniz. Şarj işleminden sonra her zaman aküyü şarj cihazından çıkartınız.
- ▶ Aküleri kesinlikle güneşte, ısı kaynakları üzerinde veya cam arkasında muhafaza etmeyiniz.
- ▶ Ürünü ve aküleri çocukların ve yetkisiz kişilerin ulaşamayacağı yerlerde muhafaza ediniz.
- ▶ Ürünün ve akülerin hasar görmüş olup olmadığını her kullanımdan önce olduğu gibi uzun süreli depolamalardan önce ve sonra kontrol ediniz.

## 11 Arıza durumunda yardım

Bu tabloda listelenmemiş veya kendi başınıza gideremediğiniz arızalarda lütfen yetkili Hilti servisimiz ile irtibat kurunuz.

Arıza	Olası sebepler	Çözüm
Testere bıçağı kendiliğinden çıkıyor.	Testere bıçağı doğru kilitlenmemiş.	<ul style="list-style-type: none"> <li>▶ Takma işlemini tekrar ediniz.</li> <li>▶ Alet bağlantı yerinin tamamen açılmış ve testere bıçağının dayanak noktasına kadar bastırılmış olduğundan emin olunuz.</li> </ul>
	Gerdirme sistemi kirlenmiş.	▶ Alet bağlantı yerini temizleyiniz.
Testere bıçağı takılmıyor.	Gerdirme sistemi kirlenmiş.	▶ Alet bağlantı yerini temizleyiniz.
Sarkaç strok ayarı yapılamıyor.	Sarkaç kolunun somunu kirlenmiş.	▶ Sarkaç kolunun somununda bulunan pislikleri temizleyiniz.
Sarkaç stroku işlevi çalışmıyor.	Sarkaç mekanizması kirlenmiş.	▶ Sarkaç çatalı bölgesinde pislik bulunup bulunmadığını kontrol ediniz, varsa bunları temizleyiniz.
	Sarkaç stroku ayar kolu "0" konumunda.	▶ İsteddiğiniz değeri ayarlayınız.
Akü normalden daha hızlı boşalıyor.	Çok düşük ortam sıcaklığı.	▶ Aküyü yavaşça oda sıcaklığına ulaşacak biçimde ısınmaya bırakınız.
Akü duyulabilir bir "klik" sesi ile yerine oturmuyor.	Akünün kilit tırnakları kirlenmiş.	▶ Kilit tırnaklarını temizleyiniz ve aküyü yeniden yerine oturtunuz.
1 LED yanıp sönüyor. Alet çalışmıyor.	Akü deşarj olmuş.	▶ Aküyü değiştiriniz ve boş aküyü şarj ediniz.
	Akü çok sıcak veya çok soğuk.	▶ Aküyü yavaşça oda sıcaklığına ulaşacak biçimde ısınmaya veya soğumaya bırakınız.
4 LED'in tümü yanıp söner. Alet çalışmıyor.	Alet aşırı yüklenmiş.	▶ Kumanda şalterini bırakınız ve şaltere sonra yeniden basınız. Aleti yaklaşık 30 saniye rölati devir hızında çalıştırınız.



Anza	Olası sebepler	Çözüm
Üründe veya aküde yüksek ısı üretimi.	Elektrik anzası	▶ Aleti hemen kapatınız, aküyü çıkartınız, gözleyiniz, soğumaya bırakınız ve <b>Hilti</b> servisi ile irtibat kurunuz.

## 12 İmha

### İKAZ

**Usulüne uygun olmayan imha nedeniyle yaralanma tehlikesi!** Dışarı çıkan gaz ve sıvılar nedeniyle sağlık sorunları.

- ▶ Hasar görmüş aküleri hiç bir şekilde göndermeyiniz!
- ▶ Kısa devreleri önlemek için, akünün bağlantılarını iletken olmayan bir malzeme ile kapatınız.
- ▶ Aküleri, çocukların ellerine geçmeyecek şekilde imha ediniz.
- ▶ Aküyü size en yakın **Hilti Store**'da imha ediniz veya imha etmek için yetkili şirketinize başvurunuz.

**Hilti** ürünleri yüksek oranda tekrar kullanılabilen malzemelerden üretilmiştir. Geri dönüşüm için gerekli koşul, usulüne uygun malzeme ayırımıdır. Çoğu ülkede **Hilti** eski aletlerini yeniden değerlendirmek üzere geri alır. Bu konuda **Hilti** müşteri hizmetlerinden veya satış temsilcinizden bilgi alabilirsiniz.



- ▶ Elektrikli el aletlerini, elektronik cihazları ve aküleri evdeki çöplere atmayınız!

## 13 RoHS (Tehlikeli madde kullanımını kısıtlama direktifi)

Tehlikeli maddeler tablosunu aşağıdaki internet bağlantılarında bulabilirsiniz: [qr.hilti.com/r5212958](http://qr.hilti.com/r5212958)  
RoHS tablosunun linkini bu dokümanın sonunda QR kodu olarak bulabilirsiniz.

## 14 Üretici garantisi

- ▶ Garanti koşullarına ilişkin sorularınız için lütfen yerel **Hilti** iş ortağınıza başvurunuz.

# オリジナル取扱説明書

## 1 取扱説明書について

### 1.1 本取扱説明書について

- ご使用前にこの取扱説明書をすべてお読みください。このことは、安全な作業と問題のない取扱いのための前提条件となります。
- 本取扱説明書および製品に記載されている安全上の注意と警告表示に注意してください。
- 取扱説明書は常に製品とともに保管し、他の人が使用する場合には、製品と取扱説明書を一緒にお渡しください。

### 1.2 記号の説明

#### 1.2.1 警告表示

警告表示は製品の取扱いにおける危険について警告するものです。以下の注意喚起語が使用されています：

#### 危険

危険！

- ▶ この表記は、重傷あるいは死亡事故につながる危険性がある場合に注意を促すために使われます。

#### 警告

警告！

- ▶ この表記は、重傷あるいは死亡事故につながる可能性がある場合に注意を促すために使われます。



## ⚠ 注意

### 注意！

▶ この表記は、身体の負傷あるいは物財の損傷が発生する可能性がある場合に使われます。

### 1.2.2 本書の記号

本書では、以下の記号が使用されています：

	使用前に取扱説明書をお読みください
	本製品を効率良く取り扱うための注意事項や役に立つ情報
	リサイクル可能な部品の取扱い
	工具およびバッテリーを一般ゴミとして廃棄してはなりません

### 1.2.3 図中の記号

図中では以下の記号が使用されています：

<b>2</b>	この数字は本取扱説明書冒頭にある該当図を示しています
3	付番は図中の作業手順の順序に対応していて、本文の作業手順とは一致しない場合があります
<b>11</b>	概要図には項目番号が付されていて、製品概要セクションの凡例の番号に対応しています
	この記号は、製品の取扱いの際に特に注意が必要なことを示しています。

## 1.3 製品により異なる記号

### 1.3.1 製品に表示されている記号

製品には以下の記号が使用されていることがあります：

$n_0$	無負荷ストローク速度
==	直流
	本製品は、iOS および Android プラットフォームと互換性のある無線データ転送をサポートしています。
Li-Ion	Li-Ionen バッテリー
	使用されているHilti Li-Ion バッテリーのモデルシリーズ。正しい使用の章の記載に注意してください。
	バッテリーは決して打撃工具として使用しないでください。
	バッテリーは落下させないでください。ぶつけたり、あるいはその他の理由で損傷しているバッテリーは使用しないでください。

## 1.4 製品情報

**HILTI** 製品はプロ仕様で製作されており、その使用、保守、修理を行うのは、認定を受けトレーニングされた人のみに限ります。これらの人は、遭遇し得る危険に関する情報を入手していなければなりません。本書で説明している製品およびそのアクセサリーのトレーニングを受けていない者による誤使用、あるいは規定外の使用は危険です。

機種名および製造番号は銘板に表示されています。



- ▶ 製造番号を以下の表に書き写しておいてください。本製品についてヒルティ代理店やサービスセンターへお問い合わせの際には、必ずこの情報をお知らせください。

#### 製品データ

オービタルジグソー	SJT 6-A22
製品世代	01
製造番号	

## 1.5 適合宣言

当社は、単独の責任において本書で説明している製品が有効な基準と標準規格に適合していることを宣言します。適合宣言書の複写は本書の末尾にあります。

技術資料は本書の後続の頁に記載されています：

Hilti Entwicklungsgesellschaft mbH | Zulassung Geräte | Hiltistraße 6 | 86916 Kaufering, DE

## 2 安全

### 2.1 電動工具の一般安全注意事項

**⚠ 警告事項** 本電動工具に付属のすべての安全上の注意、指示事項、図、および製品仕様をお読みください。以下の指示を守らないと、感電、火災および / または重傷事故の危険があります。

安全上の注意および指示事項が書かれた説明書はすべて大切に保管してください。

安全上の注意で使用する用語「電動工具」とは、お手持ちの電動ツール（電源コード使用）またはバッテリーツール（コードレス）を指します。

#### 作業環境に関する安全

- ▶ 作業場はきれいに保ち、十分に明るくしてください。ちらかった暗い場所での作業は事故の原因となります。
- ▶ 爆発の危険性のある環境（可燃性液体、ガスおよび粉じんのある場所）では電動工具を使用しないでください。電動工具から火花が飛散し、粉じんや揮発性ガスに引火する恐れがあります。
- ▶ 電動工具の使用時、子供や無関係者を作業場へ近づけないでください。作業中に気がそらされると、本体のコントロールを失ってしまう恐れがあります。

#### 電気に関する安全注意事項

- ▶ 電動工具の接続プラグは電源コンセントにきちんと適合しなければなりません。プラグは絶対に変更不要にしてください。保護接地した電動工具と一緒にアダプタープラグを使用しないでください。オリジナルのプラグと適切なコンセントを使用することにより、感電の危険を小さくすることができます。
- ▶ バイブ、ラジエーター、電子レンジ、冷蔵庫などのアースされた面に体の一部が触れないようにしてください。体が触れると感電の危険が大きくなります。
- ▶ 電動工具を雨や湿気から保護してください。電動工具に水が浸入すると、感電の危険が大きくなります。
- ▶ 電動工具を持ち運んだり、吊り下げたり、コンセントからプラグを抜いたりするときは、必ず本体を持ち、電源コードを持って引く張ったりしないでください。電源コードを火気、オイル、鋭利な刃物、可動部等に触れる場所に置かないでください。電源コードが損傷したり絡まったりしていると、感電の危険が大きくなります。
- ▶ 屋外工事の場合には、必ず屋外専用の延長コードを使用してください。屋外専用の延長コードを使用すると、感電の危険が小さくなります。
- ▶ 湿った場所で電動工具を動作させる必要がある場合は、漏電遮断器を使用してください。漏電遮断器を使用すると、感電の危険が小さくなります。

#### 作業員に関する安全

- ▶ 電動工具を使用の際には、油断せずに十分注意し、常識をもった作業をおこなってください。疲れている場合、薬物、医薬品服用およびアルコール飲用による影響下にある場合には電動工具を使用しないでください。電動工具使用中の一瞬の不注意が重傷の原因となることがあります。
- ▶ 個人用保護具および保護メガネを常に着用してください。負傷の危険を低減するために、電動工具の使用状況に応じた粉じんマスク、耐滑性の安全靴、ヘルメット、耳栓などの個人用保護具を着用してください。
- ▶ 電動工具の意図しない始動を防止して下さい。電動工具を電源および / またはバッテリーに接続する前や本体を持ち上げたり運んだりする前に、本体がオフになっていることを必ず確認してください。オン / オフスイッチが入っている状態で電動工具のスイッチに指を掛けたまま運んだり、電源に接続したりすると、事故の原因となる恐れがあります。
- ▶ 電動工具のスイッチを入れる前に、必ず調節キーやレンチを取り外してください。調節キーやレンチが本体の回転部に装着されたままでは、けがの原因となる恐れがあります。



- ▶ 作業中は不安定な姿勢をとらないでください。足元を安定させ、常にバランスを保つようにしてください。これにより、万一電動工具が異常状況に陥った場合にも、適切な対応が可能となります。
- ▶ 作業に適した作業着を着用してください。だぶだぶの衣服や装身具を着用しないでください。髪、衣服、手袋を本体の可動部に近づけないでください。だぶだぶの衣服、装身具、長い髪が可動部に巻き込まれる恐れがあります。
- ▶ 吸じんシステムの接続が可能な場合には、これらのシステムが適切に接続、使用されていることを確認してください。吸じんシステムを利用することにより、粉じん公害を防げます。
- ▶ 電動工具の取扱いに熟練している場合にも、正しい安全対策を遵守し、電動工具に関する安全規則を無視しないでください。不注意な取扱いは、ほんの一瞬で重傷事故を招くことがあります。

#### 電動工具の使用および取扱い

- ▶ 無理のある使用を避けてください。作業用途に適した電動工具を使用してください。適切な電動工具の使用により、効率よく、スムーズかつ安全な作業が行えます。
- ▶ スイッチが故障している場合には、電動工具を使用しないでください。スイッチで始動および停止操作のできない電動工具は危険ですので、修理が必要です。
- ▶ 本体の設定やアクセサリの交換を行う前や本体を保管する前には電源プラグをコンセントから抜き、および/または脱着式のバッテリーを取り外してください。この安全処置により、電動工具の意図しない始動を防止することができます。
- ▶ 電動工具をご使用にならない場合には、子供の手の届かない場所に保管してください。電動工具に関する知識のない方、本説明書をお読みでない方による本体のご使用は避けてください。未経験者による電動工具の使用は危険です。
- ▶ 電動工具とアクセサリは慎重に手入れしてください。可動部分が引っ掛かりなく正常に作動しているか、電動工具の運転に影響を及ぼす各部分が破損・損傷していないかを確認してください。電動工具をご使用になる前に、損傷部分の修理を依頼してください。事故の多くは保守管理の不十分な電動工具の使用が原因となっています。
- ▶ 先端工具は鋭利で汚れのない状態を保ってください。お手入れのゆきとどいた先端工具を使用すると、作業が簡単かつ、スムーズになります。
- ▶ 電動工具、アクセサリ、先端工具などは、それらの説明書に記載されている指示に従って使用してください。その際は、作業環境および用途についてもご注意ください。指定された用途以外に電動工具を使用すると危険な状況をまねく恐れがあります。
- ▶ グリップとグリップ面は乾燥した清潔な状態に保ち、オイルやグリスの付着がないようにしてください。グリップやグリップ面が滑りやすい状態になっていると、予期していない状況が発生した際に電動工具を安全に使用/制御できません。

#### バッテリー工具の使用および取扱い

- ▶ バッテリーを充電する場合は、必ずメーカー推奨の充電器を使用してください。特定タイプのバッテリー専用の充電器を他のバッテリーに使用すると、火災の恐れがあります。
- ▶ 電動工具には、必ず指定されたバッテリーを使用してください。指定以外のバッテリーを使用すると、負傷や火災の恐れがあります。
- ▶ 使用されていないバッテリーの近くに、事務用クリップ、硬貨、キー、釘、ネジ、その他の小さな金属物を置かないでください。電気接点の短絡が起こることがあります。バッテリーの電気接点間が短絡すると、火傷や火災が発生する危険があります。
- ▶ 正しく使用しないと、液漏れが発生することがあります。その場合、漏れた液には触れないでください。もしも触れてしまった場合は、水で洗い流してください。バッテリー液が眼に入った場合は、水で洗い流してから医師の診察を受けてください。流出したバッテリー液により、皮膚が刺激を受けたり火傷を負う恐れがあります。
- ▶ 損傷したあるいは変更が加えられたバッテリーは使用しないでください。損傷したあるいは変更が加えられたバッテリーは、予測不可能な挙動により爆発あるいは負傷事故を発生させる危険があります。
- ▶ バッテリーは火気あるいは高温に曝さないでください。火気あるいは 130 °C (265 °F) を超える高温は、爆発の原因となることがあります。
- ▶ 充電に関するすべての指示事項に従い、バッテリーあるいはバッテリー工具は、決して取扱説明書に記載された温度範囲外で充電しないでください。正しくない充電あるいは許容温度範囲外での充電により、バッテリーが破壊され火災が発生する危険があります。

#### サービス

- ▶ 電動工具の修理は必ず認定サービスセンターにお申し付けください。また、必ず純正部品を使用してください。これにより電動工具の安全性が確実に維持されます。
- ▶ 損傷したバッテリーは決して手入れや保守を行わないでください。バッテリーの保守作業はすべて、メーカーあるいは権限のあるお客様サービスセンターが行うものとします。



## 2.2 往復運動するソーブレードによる切断に関する安全上の注意

- ▶ 作業の実施に伴い先端工具が隠れている電線に接触する可能性がある場合は、電動工具を絶縁されたグリップ面で保持するようにしてください。通電しているケーブルと接触すると、本体の金属部分にも電圧がかかり、感電の危険があります。
- ▶ 工具はクランプ、あるいはその他の方法で安定した土台に確実に固定してください。作業材料を手あるいは体で保持しようとすると不安定さが残り、コントロールを失う危険があります。

## 2.3 その他の安全上の注意

### 作業者に関する安全

- ▶ 本体は、必ず技術的に問題のない状態で使用してください。
- ▶ 本体は決して加工や改造を加えないでください。
- ▶ グリップは乾燥した清潔な状態を保ってください。
- ▶ 本体の使用中は、適切な保護メガネ、耳栓および保護手袋を着用してください。
- ▶ 先端工具を交換する際には保護手袋を着用してください。先端工具に触れると、切創事故や火傷の原因となることがあります。
- ▶ アイシールドを着用してください。破片が身体の一部、眼などを傷つけることもあります。
- ▶ ランプ (LED) を直接のぞき込んだり、LED で他の人の顔を照射したりしないでください。眼がくらむ恐れがあります。
- ▶ 作業開始前に、作業場で発生する粉じんの危険有害度を調査してください。公的に承認された保護等級および地域の粉じんに関する規定を満たした工業用集じん機を使用してください。
- ▶ 作業場の良好な換気には注意し、必要に応じてそれぞれの粉じんに適した防じんマスクを着用してください。作業者や近くにいる人が粉じんに触れたり吸い込んだりすると、アレルギー反応や呼吸器疾患を起こす可能性があります。カシヤブナ材などの特定の粉じんは、特に木材処理用の添加剤 (クロム塩酸、木材保護剤) が使用されている場合、発ガン性があるとされています。アスベストが含まれる母材は、必ず専門家が取り扱うようにしてください。
- ▶ 休憩を取って、指を動かして血行を良くするように心がけてください。長時間作業の際には、振動により指、手あるいは手首の関節の血管あるいは神経系に障害が発生する可能性があります。

### 電気に関する安全注意事項

- ▶ 作業を開始する前に、作業領域に埋設された電線、ガス管や水道管がないかを調査してください。誤って電線を損傷すると、本体外側の金属部分により感電事故が発生する可能性があります。

### 電動工具の慎重な取扱いおよび使用

- ▶ 作業材料を固定します。作業材料は、手だけで固定するよりクランプまたは万力を使用したほうがより確実に固定されます。

### ジグソー特有の安全上の注意

- ▶ 切断時には必ず本体を身体から離すように操作してください。
- ▶ 決してソーブレードの前に手を差し出したり、ソーブレードに触れたりしないでください。
- ▶ 未知の母材には決して切断を行わないでください。切断ラインの上部および下部に障害物がないようにしてください。
- ▶ 切断中は、作業材料の下部を掴まないでください。

## 2.4 バッテリーの慎重な取扱いおよび使用

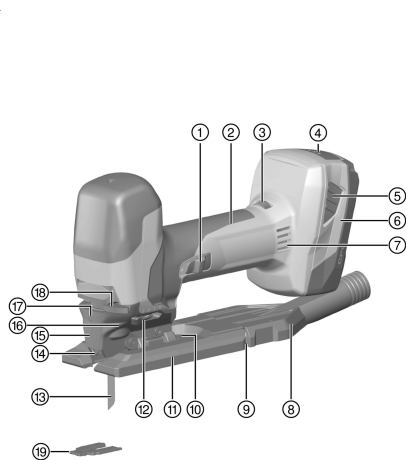
- ▶ Li-Ion バッテリーの搬送、保管、作動については特別規定を守ってください。
- ▶ バッテリーは高温、直射日光および火気を避けて保管してください。
- ▶ バッテリーを分解したり、挟んだり、80 °C (176 °F) 以上に加熱したり、燃やしたりしないでください。
- ▶ 衝撃を受けたことのあるバッテリー、1 m を超える高さから落下したことのあるバッテリー、あるいはその他の損傷を被っているバッテリーを使用あるいは充電しないでください。この場合には、必ず最寄りの Hilti サービスセンターにご連絡ください。
- ▶ バッテリーが掴むことのできないほどに熱くなっている場合は、故障している可能性があります。バッテリーを、目視確認が可能で可燃性のない場所に、可燃性の資材から十分な距離を置いて置いてください。バッテリーを冷ます。1 時間の経過後にも掴むことのできないほどに熱い場合は、そのバッテリーは故障している可能性があります。Hilti サービスセンターに連絡してください。





## 3 製品の説明

### 3.1 製品概要



- ① ON/OFF スイッチ
- ② グリップ
- ③ ストローク速度調整つまみ
- ④ バッテリー充電状態インジケーター
- ⑤ バッテリーリリースボタン
- ⑥ バッテリー
- ⑦ 通気溝
- ⑧ 集じんアダプター
- ⑨ 保持フック
- ⑩ 切断角度設定用スケール
- ⑪ ベースプレート
- ⑫ オービタル調整レバー
- ⑬ ソーブレード
- ⑭ ガード
- ⑮ カバー
- ⑯ ブレードホルダー
- ⑰ LED ランプ
- ⑱ ソーブレードリリースレバー
- ⑲ 切屑ガード

### 3.2 正しい使用

本書で説明している製品は、手持ち式の充電式オービタルジグソーです。本製品は、プラスチック、木材、金属、石膏ボードおよびファイバーボードを切断するためのものです。

本製品には、オプションの集じん機用の取外し可能な接続ピースが装備されています。これは市販の集じん機ホースに対応しています。吸じんホースを本体と接続するには、適切なアダプターが必要になる場合があります。

- ▶ 本製品には、必ずHiltiのB 22シリーズのLi-Ionバッテリーを使用してください。
- ▶ これらのバッテリーには、必ずHiltiのC4/36シリーズの充電器を使用してください。
- ▶ 本製品には、必ずTシャンク（ジグソーブレードホルダー）付きソーブレードを使用してください。

### 3.3 考えられる誤った使用

- 本製品は木の枝や丸太の切断には使用できません。
- 本製品は、健康を損なう危険のある母材には使用できません。
- 本製品は、湿気の多い環境での作業には使用できません。

### 3.4 充電状態インジケーター

リリースボタンを軽く押すと（最大で抵抗を感じるまで）、Li-Ionバッテリーの充電状態が表示されます。

状態	意味
4 個の LED が点灯。	充電状態：75 %...100 %
3 個の LED が点灯。	充電状態：50 %...75 %
2 個の LED が点灯。	充電状態：25 %...50 %
1 個の LED が点灯。	充電状態：10 %...25 %
1 個の LED が点滅。	充電状態：< 10 %



**i** コントロールスイッチの操作中、およびこのスイッチから指を放してから 5 秒が経過するまでの間は、充電状態を確認することはできません。バッテリーの充電状態インジケータの LED が点滅している場合は、「故障時のヒント」の章の注意事項を確認してください。

### 3.5 切屑ブロー

切屑ブローでソーブレードにエアを吹きつけ、切断ラインから切屑を取り除きます。

### 3.6 ストローク速度

ストローク速度は調整つまみで調整することができます。位置 1 は毎分 800 ストローク、位置 6 は毎分 3000 ストロークとなります。

### 3.7 4 段階のオービタル

4 段階のオービタル設定により、切断能力と切断の質を母材に合わせることができます。オービタル調整レバーを使用して、ストローク速度を 4 つの段階のいずれかに設定します。カッティングエッジよりきれいにきめ細かくするには、オービタル設定を低くしてください。テスト切断を行って最適な設定を決めてください。

状態	意味
段階 0	オービタル機能オフ
段階 1	オービタル低
段階 2	オービタル中
段階 3	オービタル高

### 3.8 切屑ガード

本製品には切屑ガードを装備することができます。

切屑ガードにより、木材を切断する際に表面から切屑が飛散するのを防止します。

### 3.9 本体の自動スイッチオフ

ON/OFF スイッチが 15 分を経過して押された状態であると（例：搬送または保管時）、本体は直ちに自動的にオフになります。これによりバッテリーが著しく放電するのを防止します。

### 3.10 本体標準セット構成

ソーブレード付きオービタルジグソー、カバー、集じんアダプター、切屑ガード、取扱説明書、アレンレンチ。その他の本製品用に許可されたシステム製品については、弊社営業担当または Hilti センターにお問い合わせいただくか、あるいは [www.hilti.com](http://www.hilti.com) でご確認ください。

## 4 製品仕様

### 4.1 オービタルジグソー

	SJT 6-A22
定格電圧	21.6 V
EPTA Procedure 01 に準拠した重量 (B228.0 バッテリーを含む)	3.2 kg
ストローク長	28 mm
無負荷ストローク速度 (n <sub>0</sub> )	800/min ... 3,000/min
最大切断能力 (木材)	150 mm
最大切断能力 (アルミニウム)	25 mm
最大切断能力 (非合金鋼)	10 mm
切断角度 (左 / 右)	0° ... 45°
集じんアダプターの外径	27.5 mm
保管温度	-20 °C ... 70 °C
作動時の周囲温度	-17 °C ... 60 °C



	SJT 6-A22
充電開始時のバッテリー温度	-10 °C ... 45 °C
保管温度	-20 °C ... 40 °C
作動時の周囲温度	-17 °C ... 60 °C

#### 4.2 騒音および振動値について (EN 62841 準拠)

本説明書に記載されているサウンドプレッシャー値および振動値は、規格に準拠した測定方法に基づいて測定したものです。電動工具を比較するのにご使用いただけます。曝露値の暫定的な予測にも適しています。記載されているデータは、電動工具の主要な使用方法に対する値です。電動工具を他の用途で使用したり、異なる先端工具を取り付けて使用したり、手入れや保守が十分でないまま使用した場合には、データが異なることがあります。このような相違により、作業時間全体で曝露値が著しく高くなる可能性があります。曝露値を正確に予測するためには、本体のスイッチをオフにしている時間や、本体が作動していても実際には使用していない時間も考慮しなければなりません。このような相違により、作業時間全体で曝露値が著しく低くなる可能性があります。

作業者を騒音および / または振動による作用から保護するために、他にも安全対策を立ててください (例 : 電動工具および先端工具の手入れや保守、手を冷やさないようにする、作業手順の編成)。

##### 騒音排出値

	SJT 6-A22
サウンドパワーレベル ( $L_{WA}$ )	100 dB(A)
サウンドパワーレベルの不確実性 ( $K_{WA}$ )	5 dB(A)
サウンドプレッシャーレベル ( $L_{pA}$ )	89 dB(A)
サウンドプレッシャーレベルの不確実性 ( $K_{pA}$ )	5 dB(A)

##### 合計振動値

	SJT 6-A22
排出振動値 (板材切断) ( $a_{h,b}$ )	5.0 m/s <sup>2</sup>
不確実性 (クリップボード切断) (K)	1.5 m/s <sup>2</sup>
排出振動値 (金属板切断) ( $a_{h,m}$ )	7.9 m/s <sup>2</sup>
不確実性 (金属板切断) (K)	1.5 m/s <sup>2</sup>

## 5 バッテリー

バッテリー作動電圧	21.6 V
作動時の周囲温度	-17 °C ... 60 °C
保管温度	-20 °C ... 40 °C
充電開始時のバッテリー温度	-10 °C ... 45 °C

## 6 作業準備



### 警告

負傷の危険 意図しない始動!

- ▶ バッテリーを装着する前に、バッテリーを装着する製品のスイッチがオフになっていることを確認してください。
- ▶ 本体の設定、またはアクセサリーの交換の前にバッテリーを取り外してください。

本書および製品に記載されている安全上の注意と警告表示に注意してください。

### 6.1 バッテリーを充電する

1. 充電の前に充電器の取扱説明書をお読みください。
2. バッテリーと充電器の電気接点は汚れがなく、乾燥していることを確認してください。
3. バッテリーは許可された充電器で充電してください。→ 頁 131



## 6.2 バッテリーを装着する

### 警告

負傷の危険 短絡あるいはバッテリーの落下！

- ▶ バッテリーを装着する前に、バッテリーの電気接点と製品の電気接点に異物がないことを確認してください。
- ▶ バッテリーが正しくロックされていることを常に確認してください。

1. はじめてお使いになる前にバッテリーをフル充電してください。
2. ロックの音が聞こえるまでバッテリーを製品へとスライドさせます。
3. バッテリーがしっかりと装着されていることを確認してください。

## 6.3 バッテリーを取り外す

1. バッテリーのリリースボタンを押します。
2. 本体からバッテリーを抜き取ります。

## 6.4 ソーブレードを装着する

1. バッテリーを取り外します。
2. ソーブレードをブレードホルダーに押し込み（歯を切断方向に向ける）かみ合わせます。
3. ソーブレードを引っ張り、しっかりと固定されているか確認します。

## 6.5 カバーを取り付ける

1. バッテリーを取り外します。
2. カバーを本体の前にあてがいがいながら、ロック音されるまで挿入します。



カバーは、ベースプレートが通常位置（ゼロ度位置）にある場合にのみ取り付けることができます。

## 6.6 集じんアダプターを取り付ける

1. 両方の保持フックの側方がロックされるまで、集じんアダプターを後方からベースプレートへとスライドさせます。
2. 集じん機のホースを集じんアダプターに接続します。

## 7 ご使用方法

本書および製品に記載されている安全上の注意と警告表示に注意してください。

### 7.1 集じん装置を使用する



集じん装置は粉じんによる負荷を低減し、切断ラインが良く見えるようにして作業の安全性を高め、作業場に撒き散らされる粉じんや切屑の量を大幅に減らします。

1. カバーを取り付けます。→ 頁 134
2. 比較的長い時間にわたって木材やその他の母材を加工する作業で、粉じんがかなり多く出ることが予想される場合は、必ず集じん装置を使用してください。

### 7.2 スイッチオン

1. バッテリーを装着します。



最初に本体をオンにし、それからバッテリーを本体の固定部に装着した場合、安全機能により本体は始動しません。

まず ON/OFF スイッチを戻し、続いて改めて前方にスライドさせます。

2. 本体をオンにするには、ON/OFF スイッチを前方にスライドさせます。



### 7.3 ブランジソーイング

1. オービタル調整レバーを 0 位置にセットします。
2. 本体のベースプレートの前端を作業材料に当てます。
3. 本体を保持して、ON/OFF スイッチを押します。
4. 本体を作業材料にしっかりと押し付け、本体を母材の方に傾けながらブランジを開始します。
5. 作業材料を貫通したなら、本体を通常の作業位置にします。
  - ▶ ベースプレートの面全体を接触させます。
6. 切断ラインに沿って切断を続けます。

### 7.4 スイッチオフ

- ▶ 本体をオフにするには、ON/OFF スイッチを後方にスライドさせます。

## 8 取り外し

### 8.1 集じんアダプターを取り外す 5

1. 両方の保持フックを内側へ押します。
2. 集じんアダプターをベースプレートから後方へ引き抜いてください。
3. 集じん機のホースを集じんアダプターから抜き取ります。

### 8.2 カバーを取り外す 7

1. バッテリーを取り外します。
2. カバーを軽く曲げて前方へ引き出します。

### 8.3 ソーブレードを交換する 3

#### 警告

**負傷の危険。** ソーブレードが意図せずに外れて負傷の原因となることがあります。

- ▶ ソーブレードを交換する場合は、ソーブレードが外れる際に人や動物を傷つけることのないように本体を保持してください。

1. バッテリーを取り外します。
2. ソーブレードリリースレバーをストップ位置まで横へ回します。
  - ▶ ソーブレードがロック解除されて外れます。

## 9 手入れと保守

#### 警告

**バッテリーを装着した状態における負傷の危険！**

- ▶ 手入れや保守作業の前に必ずバッテリーを取り外してください！

### 製品の手入れ

- 付着した汚れを慎重に除去してください。
- 汚れが付着している場合は、通気溝を乾いた柔らかいブラシを使用して慎重に掃除してください。
- 必ず少し湿した布でハウジングを拭いてください。シリコンを含んだ磨き粉はプラスチック部品をいためる可能性があるため使用しないでください。
- 本製品の電気接点を清掃するには、清潔な乾いた布を使用してください。

### Li-Ion バッテリーの手入れ

- 通気溝が詰まっているバッテリーは決して使用しないでください。通気溝を乾いた柔らかいブラシを使用して慎重に掃除してください。
- バッテリーを不必要に粉じんや汚れに曝さないようにしてください。バッテリーは、決して高い湿度に曝さないでください（例：水中に沈める、あるいは雨中に放置する）。水分が浸入したバッテリーは、損傷したもものとして取り扱ってください。そのようなバッテリーは不燃性の容器に隔離し、Hilti サービスセンターにご連絡ください。



- バッテリーには、本製品に使用しているのではないオイルやグリスが付着しないようにしてください。バッテリーに不必要な粉じんあるいは汚れが堆積しないようにしてください。バッテリーは、乾いた柔らかいブラシまたは乾いた布で清掃してください。シリコンを含んだ磨き粉はプラスチック部品をいためる可能性があるので使用しないでください。  
バッテリーの電気接点に手を触れないでください、また、工場出荷時に塗布されているグリスを電気接点からぬぐい取らないでください。
- 必ず少し湿した布でハウジングを拭いてください。シリコンを含んだ磨き粉はプラスチック部品をいためる可能性があるので使用しないでください。

### 保守

- 目視確認可能なすべての部品については損傷の有無を、操作エレメントについては問題なく機能することを定期的に点検してください。
- 損傷および / または機能に問題のある場合は、本製品を使用しないでください。速やかにHilti サービスセンターに本製品の修理を依頼してください。
- 手入れおよび保守作業の後は、すべての安全機構を取り付けて、それらが問題なく作動するか点検してください。



安全な作動のために、必ず純正のスベアパーツと消耗品を使用してください。本製品向けにHilti が承認したスベアパーツ、消耗品およびアクセサリは、弊社営業担当またはHilti Store お問い合わせいただくか、あるいは[www.hilti.group](http://www.hilti.group)

### 9.1 集じんアダプターを清掃する

1. バッテリーを取り外します。
2. 集じんアダプターを取り外します。→ 頁 135
3. 集じんアダプターを清掃します。
4. 保持フックに損傷がないか確認してください。
5. 集じんアダプターを取り付けます。→ 頁 134

### 9.2 ソーブレードを清掃する

1. 使用したソーブレードから付着した樹脂を定期的に取り除きます。
2. ソーブレードを 24 時間石油、あるいは市販の樹脂リムーバーに浸します。

## 10 バッテリー式工具およびバッテリーの搬送および保管

### 搬送

#### 注意

搬送時の予期しない始動！

- ▶ お使いの製品は、必ずバッテリーを装着していない状態で搬送してください！
- ▶ バッテリーを取り外してください。
- ▶ バッテリーは決して梱包しない状態で搬送しないでください。搬送中のバッテリーは、他のバッテリー電極と接触して短絡の原因となることを防ぐために、過大な衝撃や振動から保護し、あらゆる導電性の物体あるいは他のバッテリーから隔離する必要があります。バッテリーの搬送に関する各国（地域）の規則を遵守してください。
- ▶ バッテリーは郵送しないでください。損傷していないバッテリーを送付する場合は、運送業者を手配してください。
- ▶ 使用の前にその都度、また長距離の搬送の前には、製品とバッテリーに損傷がないか点検してください。

### 保管上の注意事項

#### 警告

故障したあるいは液漏れしたバッテリーによる予期しない損傷！

- ▶ お使いの製品は、必ずバッテリーを装着していない状態で保管してください！
- ▶ 製品とバッテリーは涼しく乾燥した場所に保管してください。製品仕様に記載されている温度の限界値に注意してください。
- ▶ バッテリーは充電器内で保管しないでください。充電の後は、必ずバッテリーを充電器から取り出してください。
- ▶ バッテリーを太陽の直射下、熱源の上、窓際等で保管しないでください。



- ▶ 製品およびバッテリーは、子供や権限のない人が手を触れることのないようにして保管してください。
- ▶ 使用前にその都度、また長期にわたる保管の前には、製品とバッテリーに損傷がないか点検してください。

## 11 故障時のヒント

この表に記載されていない、あるいはご自身で解消することのできない故障が発生した場合には、弊社営業担当またはHilti サービスセンターにご連絡ください。

故障	考えられる原因	解決策
ソーブレードが脱落する。	ソーブレードが正しくロックされていない。	<ul style="list-style-type: none"> <li>▶ ロック手順を繰り返す。</li> <li>▶ ブレードホルダーが完全に開いていて、ソーブレードを抵抗感に抗して押し込むことに注意。</li> </ul>
	クランプシステムが汚れている。	▶ ブレードホルダーを清掃する。
ソーブレードを装着できない。	クランプシステムが汚れている。	▶ ブレードホルダーを清掃する。
オービタルを調整できない。	オービタルレバーの溝が汚れている。	▶ オービタルレバーの溝から汚れを取り除く。
オービタル機能がない。	オービタル機構が汚れている。	▶ オービタルフォーク領域を点検し、汚れがあれば取り除く。
	オービタルレバーが「0」位置。	▶ レバーを希望の値に設定する。
バッテリーの放電が通常よりも早い。	周囲温度が低すぎる。	▶ バッテリーをゆっくり室温まで暖める。
バッテリーが「カチッ」と音がするまでロックされない。	バッテリーのロックノッチが汚れている。	▶ ロックノッチを清掃してバッテリーを改めてロックする。
1 個の LED が点滅。 本体が作動しない。	バッテリーが放電している。	▶ バッテリーを交換し、空のバッテリーを充電する。
	バッテリーの温度が低すぎる、または高すぎる。	▶ バッテリーをゆっくり室温まで暖める / 冷ます。
4 個すべての LED が点滅。 本体が作動しない。	本体の過負荷。	▶ ON/OFF スイッチから指を放し、改めてスイッチを操作する。続いて本体を約 30 秒間アイドリングさせる。
本体あるいはバッテリーが熱くなる。	電氣的故障	▶ 本体の電源を直ちに切ってバッテリーを取り外して観察する、バッテリーを冷まして Hilti サービスセンターに連絡する。

## 12 廃棄



### 警告

誤った廃棄による負傷の危険！ 漏出するガスあるいはバッテリー液により健康を損なう危険があります。

- ▶ 損傷したバッテリーを送付しないでください！
- ▶ 短絡を防止するために接続部を非導電性のもので覆ってください。
- ▶ バッテリーは子供が手を触れることのないように廃棄してください。
- ▶ バッテリーの廃棄は、最寄りの Hilti Store あるいは適切な廃棄物処理業者に依頼してください。

Hilti 製品の大部分の部品はリサイクル可能です。リサイクル前にそれぞれの部品は分別して回収されなければなりません。多くの国で Hilti は、古い工具をリサイクルのために回収しています。詳細については弊社営業担当または Hilti 代理店・販売店にお尋ねください。



- ▶ 電動工具、電子機器およびバッテリーを一般ゴミとして廃棄してはなりません！

## 13 RoHS (有害物質使用制限に関するガイドライン)

下記のリンクより、有害物質を記載した表を確認できます： [qr.hilti.com/r5212958](http://qr.hilti.com/r5212958)



## 14 メーカー保証

- ▶ 保証条件に関するご質問は、最寄りの **Hilti** 代理店・販売店までお問い合わせください。

## 오리지널 사용 설명서

### 1 사용 설명서 관련 정보

#### 1.1 본 사용 설명서에 관하여

- 처음 이 제품을 사용하기 전에 본 사용 설명서를 읽으십시오. 안전하게 작업하고 문제 없이 취급하기 위한 전제가 됩니다.
- 본 사용 설명서 및 제품에 나와 있는 안전상의 주의사항 및 경고 지침에 유의하십시오.
- 항상 제품에 있는 사용 설명서를 잘 보관하고 제품은 반드시 본 사용 설명서와 함께 다른 사람에게 전달하십시오.

#### 1.2 기호 설명

##### 1.2.1 경고사항

본 제품을 다루면서 발생할 수 있는 위험에 대한 경고사항. 다음과 같은 시그널 워드가 사용됩니다.

#### 위험

위험!

- ▶ 이 기호는 직접적인 위험을 표시합니다. 만약 지키지 않으면 심각한 부상을 당하거나 사망할 수도 있습니다.

#### 경고

경고!

- ▶ 이 기호는 잠재적인 위험을 표시합니다. 만약 지키지 않으면 심각한 부상을 당하거나 사망할 수도 있습니다.





#### 주의

주의!

- ▶ 이 기호는 잠재적인 위험 상황을 표시합니다. 만약 지키지 않으면 부상 또는 물적 손실을 입을 수 있습니다.




##### 1.2.2 문서에 사용된 기호

본 문서에서 사용되는 기호는 다음과 같습니다.

	사용하기 전에 사용설명서를 읽으십시오.
	적용 지침 및 기타 유용한 사용정보
	재사용이 가능한 자재 취급방법
	전기 기기 및 배터리를 일반 가정의 쓰레기처럼 폐기해서는 안 됨

##### 1.2.3 그림에 사용된 기호

다음과 같은 기호가 그림에 사용됩니다.

	이 숫자는 본 설명서의 첫 부분에 있는 해당 그림을 나타냅니다.
	매겨진 숫자는 작업 단계의 순서를 나타내며, 텍스트에 매겨진 작업 단계와 차이가 있을 수 있습니다.
	항목 번호는 개요 그림에서 사용되며, 제품 개요 단락에 나와 있는 기호 설명 번호를 나타냅니다.







이 표시는 제품을 다룰 때, 특별히 주의할 사항을 나타냅니다.

### 1.3 제품 관련 기호

#### 1.3.1 제품에 사용된 기호

다음과 같은 기호가 제품에 사용됩니다.

	공회전 스크로크
	직류
	본 제품은 무선 데이터 전송을 지원하며, iOS 및 Android 플랫폼과 호환 가능합니다.
Li-Ion	리튬이온 배터리
	사용한 Hilti 리튬이온 배터리 모델 시리즈. 규정에 맞는 사용 단원에 제시된 내용에 유의하십시오.
	배터리는 절대 타격 공구로 사용해서는 안 됩니다.
	배터리를 떨어뜨리지 마십시오. 타격을 받은 적이 있거나 다른 손상이 있는 배터리는 사용하지 마십시오.

### 1.4 제품 정보

**HILTI** 제품은 전문가용으로 설계되어 있으며, 해당 교육을 이수한 공인된 작업자를 통해서만 조작, 유지 보수 및 수리 작업을 진행할 수 있습니다. 해당 인력은 발생할 수 있는 위험에 대해 특별 교육을 받은 상태여야 합니다. 교육을 받지 않은 사람이 기술된 제품을 부적절하게 취급하거나 규정에 맞지 않게 사용할 경우에는 기기와 그 보조기구에 의해 부상을 당할 위험이 있습니다.

형식 명칭 및 일련 번호는 형식 라벨에 제시되어 있습니다.

- ▶ 일련 번호를 다음의 표에 옮기십시오. 대리점 또는 서비스 센터에 제품과 관련하여 문의할 경우 항상 상기 정보를 제시하십시오.

제품 제원

직소	SJT 6-A22
세대	01
일련 번호	

### 1.5 적합성 선언

폐사는 전적으로 책임을 지고 여기에 기술된 제품이 통용되는 기준과 규격에 일치함을 공표합니다. 적합성 증명서 사본은 본 문서 끝 부분에서 확인할 수 있습니다.

기술 문서는 이곳에 기술되어 있습니다.

Hilti Entwicklungsgesellschaft mbH | Zulassung Geräte | Hiltistraße 6 | 86916 Kaufering, DE

## 2 안전

### 2.1 전동 공구에 대한 일반적인 안전상의 주의사항

**⚠ 경고** 해당 전동 공구와 함께 동봉된 모든 안전상의 주의 사항, 지침, 그림 및 기술자료를 숙지하십시오. 다음과 같은 지침 내용을 준수하지 않으면 전기 충격, 화재가 발생하거나 그리고/또는 중상을 입을 수 있습니다. 앞으로 모든 안전상의 주의사항과 지침을 보관하십시오.

안전상의 주의사항에서 사용되는 "전동 공구"라는 개념은 전원에 연결하여 사용하는 전동 공구(전원 케이블 있음) 또는 배터리를 사용하는 전동 공구(전원 케이블 없음)를 의미합니다.

작업장 안전수칙

- ▶ 작업장을 항상 깨끗이 하고 조명이 잘 들도록 하십시오. 어수선한 작업환경 또는 어두운 작업장은 사고를 초래할 수 있습니다.
- ▶ 인화성 액체, 가스 또는 먼지가 있어 폭발 위험이 있는 환경에서는 전동 공구를 사용하지 마십시오. 전동 공구는 먼지나 증기를 점화시킬 수 있는 스파크를 일으킵니다.



- ▶ 전동 공구를 사용할 때, 어린이들이나 다른 사람들이 작업장에 접근하지 못하도록 하십시오. 다른 사람의 방해로 인해 기기를 통제하기 어렵습니다.

#### 전기에 관한 안전수칙

- ▶ 전동 공구의 전원 플러그가 소켓에 잘 끼워져야 합니다. 플러그를 절대 변형시켜서는 안됩니다. 접지된 전동 공구와 함께 아답타 플러그를 사용하지 마십시오. 변형되지 않은 플러그와 적합한 소켓을 사용하면 감전의 위험을 줄일 수 있습니다.
- ▶ 파이프, 히터, 전기레인지, 냉장고와 같은 접지 표면에 신체 접촉을 피하십시오. 신체에 닿을 경우 감전될 위험이 높습니다.
- ▶ 전동 공구가 비에 맞지 않도록 하고 습한 장소에 두지 마십시오. 전동 공구에 물이 들어가면 감전될 위험이 높습니다.
- ▶ 전원 케이블만 잡고 전동 공구를 운반하거나 걸어 놓아서는 안되며, 소켓에서 전원 플러그를 빼낼 때 케이블만 잡은 채로 빼내지 마십시오. 전원 케이블이 열, 오일, 날카로운 모서리 또는 부품의 가동 부위에 접촉하지 않도록 주의하십시오. 손상되거나 서로 꼬인 전원 케이블은 감전 위험을 높입니다.
- ▶ 실외에서 전동 공구를 이용하여 작업할 때, 실외용으로 승인된 연장 케이블만 사용하십시오. 실외용 연장 케이블을 사용하면 감전의 위험을 줄여줍니다.
- ▶ 전동 공구를 습한 환경에서 사용하는 것을 피할 수 없을 경우, 누전 차단기를 사용하십시오. 누전 차단기를 사용하면 감전 위험을 줄일 수 있습니다.

#### 사용자 안전수칙

- ▶ 신중하게 작업하십시오. 작업에 정신을 집중하고 전동 공구를 사용할 때 경솔하게 행동하지 마십시오. 피곤하거나 항정신성 약물, 술 또는 약을 복용시에는 전동 공구를 사용하지 마십시오. 전동 공구 사용 시에 유의하지 않을 경우 심각한 부상을 초래할 수 있습니다.
- ▶ 안전 장비를 갖추고 보안경을 착용하십시오. 전동 공구의 종류와 사용에 따라, 먼지 보호 마스크, 미끄럼 방지용 안전 신발, 안전모 또는 귀마개 등과 같은 안전한 보호장비를 착용하면 부상의 위험을 줄일 수 있습니다.
- ▶ 실수로 기기가 작동하지 않도록 주의하십시오. 전동 공구를 전원 그리그/또는 배터리에 연결하기 전, 보관 또는 운반 전에 전동 공구가 스위치 OFF 상태인지 확인하십시오. 전동 공구 운반 시 스위치에 손가락을 대거나 스위치가 켜진 상태에서 전원을 연결하면 사고를 유발할 수 있습니다.
- ▶ 전동 공구의 스위치를 켜기 전, 조정공구 또는 렌치를 제거하십시오. 기기 회전부에 남아있는 공구나 렌치로 인해 부상을 입을 수 있습니다.
- ▶ 작업 시 비정상적인 자세는 피하십시오. 안전한 작업자세가 되도록 하고, 항상 균형을 유지하십시오. 이렇게 하여 예기치 않은 상황에서 전동 공구를 잘 제어할 수 있습니다.
- ▶ 적합한 작업복을 착용하십시오. 헐렁한 복장이나 장식품을 착용하지 마십시오. 작동하는 기기 가동 부위에 머리, 옷 그리고 장갑이 가까이 닿지 않도록 주의하십시오. 헐렁한 복장, 장식품 혹은 긴 머리가 가동 부위에 밀려 들어갈 수 있습니다.
- ▶ 먼지 제거장치나 수거장치를 설치할 수 있는 기기의 경우, 이 장치들이 연결되어 있는지 그리고 제대로 작동되는지를 확인하십시오. 먼지 포집장치 사용은 먼지로 인한 위험을 줄여줄 수 있습니다.
- ▶ 이 전동 공구를 여러번 사용해왔다고 해서 안전하다고 안심하지 말고 전동 공구에 해당되는 안전 규칙을 무시하지 마십시오. 부주의하게 행할 경우 아주 짧은 순간에 중상을 입을 수 있습니다.

#### 전동 공구의 취급과 사용

- ▶ 기기에 과부하가 걸리지 않도록 하십시오. 귀하의 작업에 적합한 전동 공구를 사용하십시오. 적합한 전동 공구를 사용하면, 지정된 성능 한도 내에서 더 효율적으로 안전하게 작업할 수 있습니다.
- ▶ 스위치가 고장난 전동 공구는 사용하지 마십시오. 스위치가 작동되지 않는 전동 공구는 위험하므로, 반드시 수리를 해야 합니다.
- ▶ 기기 세팅을 실행, 액세서리를 교환 또는 기기를 보관하기 전에 컨택터를 전원소켓에서 그리그/또는 탈착식 배터리를 기기에서 빼놓으십시오. 이러한 조치는 실수로 전동 공구가 작동하지 않도록 방지합니다.
- ▶ 사용하지 않는 전동 공구는 어린이들의 손이 닿지 않는 곳에 보관하십시오. 기기 사용에 익숙치 않거나 또는 이 안전수칙을 읽지 않은 사람이 기기를 사용해서는 안 됩니다. 비숙련자가 전동 공구를 사용하면 위험합니다.
- ▶ 전동 공구 및 액세서리를 유의해서 관리하십시오. 기기의 가동 부위가 완벽하게 작동하는지, 끼어 있지 않은지, 혹은 부품이 손상되거나 파손되어 있어 전동 공구의 기능을 저하시키지 않는지 점검하십시오. 기기 사용 전 손상된 부품을 수리하도록 하십시오. 제대로 관리되지 않은 전동 공구는 많은 사고를 유발합니다.
- ▶ 절단기기는 날카롭고 깨끗하게 관리하십시오. 날카로운 절단면이 있고 잘 관리된 절단기기는 끼이는 경우가 드물고 조절하기도 쉽습니다.
- ▶ 본 지침에 따라 전동 공구, 액세서리, 공구 비트 등을 사용하십시오. 이 때 작업 조건과 실시하려는 작업 내용을 고려하십시오. 원래 사용 분야가 아닌 다른 작업에 전동 공구를 사용할 경우, 위험한 상황을 초래할 수 있습니다.



- ▶ 손잡이 및 손잡이 표면은 건조하고 깨끗하게, 그리고 오일과 그리스가 묻어있지 않도록 해야 합니다. 미끄러운 손잡이 및 손잡이 표면은 예상치 못한 상황에서 전동 공구를 안전하게 조작하고 제어할 수 없습니다.

#### 배터리 공구의 취급과 사용

- ▶ 제조회사가 권장한 충전기에만 배터리를 충전시키십시오. 특정한 형식의 배터리를 사용하도록 규정되어 있는 충전기에 다른 배터리를 사용할 경우 화재 발생의 위험이 있습니다.
- ▶ 전동 공구에 적합하게 규정된 배터리만 사용하십시오. 다른 배터리를 사용하면 부상을 입을 수 있고, 화재가 발생할 수 있습니다.
- ▶ 배터리를 사용하지 않을 경우 클립, 동전, 키, 못, 나사 또는 다른 소형 금속 물질로부터 사용하지 않는 배터리를 멀리 떨어뜨려 놓아주십시오. 배터리 간 단락으로 인한 연소 또는 화재를 초래할 수 있습니다.
- ▶ 잘못 사용할 경우, 배터리로부터 전해액이 흘러나올 수 있습니다. 전해액을 직접 만지지 마십시오. 실수로 만졌을 경우, 물로 씻으십시오. 전해액이 눈에 들어갔으면, 의사와 상담하십시오. 배터리로부터 흘러나온 전해액은 피부를 손상시킬 수 있으며, 화재를 발생시킬 수 있습니다.
- ▶ 손상된 배터리 또는 변경된 배터리를 사용하지 마십시오. 손상된 배터리 또는 변경된 배터리는 예상치 못한 상황 및 화재, 폭발 또는 부상 위험을 초래할 수 있습니다.
- ▶ 배터리에서 불꽃이 발생하거나 또는 배터리가 너무 높은 온도에 노출되지 않게 하십시오. 불꽃 또는 온도가 130 °C (265 °F)를 넘으면 폭발을 일으킬 수 있습니다.
- ▶ 충전에 관한 모든 지침을 준수하여 배터리 또는 배터리 공구를 절대 사용 설명서에 제시된 범위를 벗어난 온도에서 충전하지 마십시오. 잘못 충전하거나 허용된 범위를 벗어난 온도에서 충전하면 배터리가 파손되어 화재 발생 위험이 높아질 수 있습니다.

#### 서비스

- ▶ 전동 공구는 반드시 자격을 갖춘 전문가에 의해 그리고 순정 대체부품만 이용하여 수리해야 합니다. 이렇게 하여 기기의 안전성을 계속해서 유지할 수 있습니다.
- ▶ 손상된 배터리를 절대 수리하지 마십시오. 배터리 수리는 제조회사 또는 권한을 위임받은 고객 서비스센터에서만 이루어져야 합니다.

### 2.2 톱날을 왕복으로 움직이는 절단 작업 관련 안전 지침

- ▶ 숨겨진 전선에 공구 비트가 접촉할 수 있는 작업을 실행할 경우, 항상 기기의 절연된 손잡이 부분을 잡으십시오. 전류가 흐르는 전선과 접촉하면 전동공구의 금속 부위를 통해 감전이 될 수도 있습니다.
- ▶ 클램프를 이용하거나 또는 다른 방식으로 견고한 받침대에 고정시키십시오. 손이나 신체로 공작물을 지지하는 것은 불안정하고 제어하기 어려울 수 있습니다.

### 2.3 그 외의 안전상의 주의사항

#### 사용자 안전수칙

- ▶ 기기는 기술적 하자가 없는 상태에서만 사용하십시오.
- ▶ 어떠한 경우에도 기기를 변조 또는 개조하지 마십시오.
- ▶ 손잡이는 건조하고 깨끗하게 유지하십시오.
- ▶ 기기를 사용하는 동안 적합한 보안경, 귀마개, 안전화를 착용해야 합니다.
- ▶ 공구 비트 교체 시 보호장갑을 착용하십시오. 공구 비트에 닿으면 부상을 입거나 화상을 당할 수 있습니다.
- ▶ 보안경을 착용하십시오. 재료의 파편으로 인해 눈 등 신체에 부상을 입을 수 있습니다.
- ▶ 조명(LED)을 직접 응시하거나 다른 사람의 얼굴을 비추지 마십시오. 실명 위험이 있습니다.
- ▶ 작업을 시작하기 전, 작업 시 발생하는 먼지의 위험 등급을 알아보십시오. 해당 국가의 먼지 방지 규정에 적합하며, 공식적으로 허용된 보호 등급의 산업용 진공 청소기만을 사용하십시오.
- ▶ 작업장을 잘 환기시키고 먼지의 종류에 따라 필요 시 보호마스크를 착용하십시오. 먼지를 흡입하거나 만질 경우, 사용자 또는 근처에 있는 사람에게 기관지 질병이나 알레르기 반응이 나타날 수 있습니다. 딱딱나무 입자 또는 너도밤나무 입자와 같은 특정 종류의 먼지는, 특히 목재 처리용으로 사용하는 첨가제(크롬산염, 목재 부식 방지제)와 결합하여 암을 유발할 수 있습니다. 석면 물질은 전문 기술자만 다룰 수 있습니다.
- ▶ 손가락의 혈액순환이 잘 되도록 휴식시간 동안 손가락 운동을 하십시오. 장시간 작업할 경우 진동으로 인한 손가락, 손 또는 손목의 혈관이나 신경 체계에 문제가 생길 수 있습니다.

#### 전기에 관한 안전수칙

- ▶ 작업을 시작하기 전에, 작업장에서 가려져 있거나 덮혀 있는 전기 배선, 가스 파이프 그리고 하수도관이 있는지를 점검하십시오. 실수로 전기 케이블을 손상시킨 경우, 기기 바깥쪽에 있는 금속 부품에서 전기 쇼크를 일으킬 수 있습니다.

#### 전동 공구의 올바른 사용방법과 취급방법

- ▶ 공작물을 고정시키십시오. 클램프 또는 바이스로 고정되어 있는 공작물은 손으로 고정할 것보다 더 안전한 상태를 유지합니다.



### 직소에 대한 안전상의 특별 주의사항

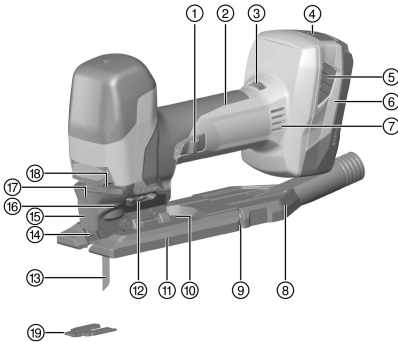
- ▶ 작업 중 제품을 항상 몸에서 떨어뜨리십시오.
- ▶ 톱날의 앞쪽이나 위에 손을 올려놓지 마십시오.
- ▶ 알려지지 않은 모재를 절단하지 말고, 절단 경로 위/아래에 장애물이 없도록 하십시오.
- ▶ 톱질 작업 중 공작물 아래에 손을 두지 마십시오.

### 2.4 배터리의 올바른 사용방법과 취급방법

- ▶ 리튬 이온 배터리의 운반, 보관 및 사용에 대한 특수 지침에 유의하십시오.
- ▶ 배터리를 고열, 직사광선 및 화염 근처에 두지 마십시오.
- ▶ 배터리를 분해하거나 강한 압력 또는 80°C (176°F) 이상의 열을 가하거나 연소시켜서는 안됩니다.
- ▶ 충격을 받은 적이 있거나, 1미터가 넘는 높이에서 떨어진 적이 있거나 혹은 다른 방식으로 손상된 배터리는 절대 사용하거나 충전하지 마십시오. 이러한 경우 항상 Hilti 서비스 센터로 문의해 주시기 바랍니다.
- ▶ 배터리를 잠기에 너무 뜨거운 경우에는 고장일 수 있습니다. 배터리를 인화성 물질과 충분한 거리를 둔 상태에서 눈에 잘 띄며 불이 잘 붙지 않는 장소에 두십시오. 배터리를 냉각시키십시오. 한 시간 후에도 계속해서 배터리를 잠기에 너무 뜨거운 경우에는 배터리에 결함이 있을 수 있습니다. Hilti 서비스 센터에 문의하십시오.

## 3 제품 설명

### 3.1 제품 개요



- ① ON/OFF 스위치
- ② 손잡이
- ③ 스트로크 세팅 조정휠
- ④ 배터리 충전 상태 디스플레이
- ⑤ 배터리 잠금 해제 버튼
- ⑥ 배터리
- ⑦ 환기 슬롯
- ⑧ 흡입 아답터
- ⑨ 비계 후크
- ⑩ 절단각 조절을 위한 눈금
- ⑪ 베이스 플레이트
- ⑫ 왕복 스트로크 세팅 레버
- ⑬ 톱날
- ⑭ 접촉 방지 장치
- ⑮ 커버
- ⑯ 척 아답터
- ⑰ LED 라이트
- ⑱ 톱날 잠금 해제 레버
- ⑲ 칩 보호 가드

### 3.2 규정에 맞는 사용

기술된 제품은 배터리 구동식 소형 직소입니다. 플라스틱, 목재 및 금속 소재와 석고판 및 섬유판 절단 작업에 사용됩니다.

본 제품에는 분리식 먼지 흡입기(옵션)용 컨넥터가 장착되어 있으며, 이때 통용되는 흡입 호스를 사용할 수 있습니다. 흡입 호스를 제품에 연결하려면 적합한 아답타가 필요할 수 있습니다.

- ▶ 본 제품에는 모델시리즈 B 22의 Hilti 리튬 이온 배터리만 사용하십시오.
- ▶ 이 배터리에는 Hilti 충전기 C4/36 시리즈만 사용하십시오.
- ▶ 본 제품에는 T자형 생크(캠축) 타입의 톱날만 사용하십시오.



### 3.3 잘못 사용할 수 있는 경우

- 나뭇가지 및 나무의 줄기를 절단하기 위해 이 제품을 사용해서는 안 됩니다.
- 본 제품은 건강에 유해한 물질을 가공하는 데 사용해서는 안 됩니다.
- 본 제품은 습한 환경에서 작업하는 데 사용해서는 안 됩니다.

### 3.4 충전상태 디스플레이

리튬 이온 배터리의 충전상태는 잠금해제 버튼을 약간(최대 저항이 느껴질 때까지) 누르면 표시됩니다.

상태	의미
4개 LED 점등됨.	충전 상태: 75 % ~ 100 %
3개 LED 점등됨.	충전 상태: 50 % ~ 75 %
2개 LED 점등됨.	충전 상태: 25 % ~ 50 %
1개 LED 점등됨.	충전 상태: 10 % ~ 25 %
1개 LED 깜박임.	충전 상태: < 10 %

컨트롤 스위치가 조작된 상태에서 컨트롤 스위치에서 손을 뗀 후 5초까지는 충전상태를 조회해볼 수 없습니다. 배터리 충전상태 표시 LED가 점멸할 경우, "고장 시 대책" 장의 지침에 유의하십시오.

### 3.5 칩 제거장치

칩 제거장치는 공기 흐름을 톱날쪽으로 옮겨 절단선에 칩이 남아 있지 않도록 해줍니다.

### 3.6 스트로크

스트로크는 조정휠에서 설정 가능합니다. 위치 1은 1분당 800 스트로크에 해당되며, 위치 6은 1분당 3000 스트로크에 해당됩니다.

### 3.7 4단계 왕복 운동

4단계 왕복 운동을 통해 가공할 소재에 맞춰 절단력 및 단면을 조정할 수 있습니다. 스트로크 세팅 레버를 이용해 4단계 사이에서 전환할 수 있습니다.

절단면이 더 깨끗하고 미세해야 할수록, 왕복 단계를 낮게 선택해야 합니다. 실습 테스트를 거쳐 최적의 설정을 파악할 수 있습니다.

상태	의미
단계 0	왕복 운동 없음
단계 1	작은 왕복 운동
단계 2	중간 왕복 운동
단계 3	큰 왕복 운동

### 3.8 칩 보호 가드

이 제품에는 칩 보호 가드가 장착되어 있습니다.

칩 보호 가드를 통해 목재 톱질 작업 시 표면 손상을 막을 수 있습니다.

### 3.9 기기의 자동 전원 꺼짐

ON/OFF 스위치가 15 분 이상 계속 눌리는 경우(예 운반 시 또는 보관 시), 기기의 전원이 자동으로 꺼집니다. 이를 통해 배터리가 과방전되지 않도록 보호합니다.

### 3.10 공급품목

직쏘(톱날 포함), 커버, 흡입 아답타, 칩 보호 가드, 사용 설명서, 알렌키.

해당 제품에 허용되는 기타 시스템 제품은 Hilti 센터 또는 온라인 [www.hilti.com](http://www.hilti.com)에서 확인할 수 있습니다.



## 4 기술자료

### 4.1 직소

	SJT 6-A22
정격 전압	21.6V
EPTA Procedure 01에 따른 무게(B228.0 배터리 포함)	3.2kg
스트로크 높이	28mm
공회전 스크로크 ( $n_0$ )	800/min ... 3,000/min
최대 절단력(목재)	150mm
최대 절단력(알루미늄)	25mm
최대 절단력(비합금 강철)	10mm
절단각(좌측/우측)	0° ... 45°
흡입 아답터 외경	27.5mm
보관 온도	-20 °C ... 70 °C
작동 시 주변 온도	-17 °C ... 60 °C
충전 시작 시 배터리 온도	-10 °C ... 45 °C
보관 온도	-20 °C ... 40 °C
작동 시 주변 온도	-17 °C ... 60 °C

### 4.2 EN 62841에 따른 소음 정보 및 진동값

이 지침에 제시된 음압 및 진동수준은 표준화된 측정방법에 따라 측정된 것이며, 전동 공구를 서로 비교하기 위한 용도로 사용할 수 있습니다. 음압 및 진동 수준은 노출 정도를 사전에 예측하는 데에도 유용하게 사용할 수 있도록 설계되어 있습니다.

제시된 데이터는 전동 공구의 주된 용도를 나타냅니다. 그러나 전동 공구를 다른 용도로 사용하거나 다른 공구 비트를 사용할 경우 또는 유지보수를 충분히 하지 않은 상태에서는 데이터에 편차가 있을 수 있습니다. 이러한 경우 전 작업시간에 걸쳐 노출이 현저하게 증가할 수 있습니다.

노출을 정확하게 평가하기 위해서는 기기 작동이 멈춰 있거나 또는 작동 중이지만 실제로는 사용하지 않는 시간도 고려해야 합니다. 이러한 경우 전 작업시간에 걸쳐 노출이 현저하게 감소할 수 있습니다.

사용자를 보호하기 위해 음파 그리고/또는 진동이 작용하기 전에 다음과 같은 추가적인 안전 조치를 취하십시오. 전동 공구와 공구 비트의 유지보수, 손을 따뜻하게 유지, 작업순서 정하기 등.

#### 소음 배출 값

	SJT 6-A22
소음 수준 ( $L_{WA}$ )	100dB(A)
소음 수준 허용공차 ( $K_{WA}$ )	5dB(A)
소음 수준 ( $L_{pA}$ )	89dB(A)
음압 수준 허용공차 ( $K_{pA}$ )	5dB(A)

#### 진동 총 값

	SJT 6-A22
목재 블록 절단 진동 배출값 ( $a_{h,B}$ )	5.0m/s <sup>2</sup>
칩보드 절단 시 오차 (K)	1.5m/s <sup>2</sup>
철판 절단 진동 배출값 ( $a_{h,M}$ )	7.9m/s <sup>2</sup>
철판 절단 시 오차 (K)	1.5m/s <sup>2</sup>

## 5 배터리

배터리 모드 전압	21.6V
작동 시 주변 온도	-17 °C ... 60 °C
보관 온도	-20 °C ... 40 °C
충전 시작 시 배터리 온도	-10 °C ... 45 °C



## 6 작업 준비

### 경고

부상 위험 돌발적인 작동!

- ▶ 배터리를 끼우기 전에 해당 제품의 전원이 꺼져 있는지 확인하십시오.
- ▶ 기기 설정 또는 액세서리를 교체하기 전에 배터리를 제거하십시오.

본 문서 및 제품에 나와 있는 안전 지침 및 경고 지침에 유의하십시오.

### 6.1 배터리 충전

1. 충전하기 전에 충전기의 사용 설명서를 읽으십시오.
2. 배터리 및 충전기의 접점이 청결하고 건조한 상태인지 확인하십시오.
3. 허용되는 충전기에서 배터리를 충전하십시오. → 페이지 142

### 6.2 배터리 삽입

#### 경고

부상 위험 부상 위험!

- ▶ 배터리를 끼우기 전에 배터리의 접점 및 제품의 접점에 이물질이 남아 있지 않은지 확인하십시오.
- ▶ 배터리가 제대로 고정되었는지 확인하십시오.

1. 처음으로 사용하기 전, 배터리를 완전히 충전하십시오.
2. 배터리가 제품에 고정되는 소리가 들릴 때까지 미십시오.
3. 배터리가 정확하게 설치되어 있는지 점검하십시오.

### 6.3 배터리 제거

1. 배터리의 잠금 해제 버튼을 누르십시오.
2. 배터리를 기기에서 빼내십시오.

### 6.4 톱날 끼우기

1. 배터리를 분리하십시오.
2. 척 아답타에 끼워지는 소리가 들릴 때까지 톱날(절단 방향의 톱니 부분)을 누르십시오.
3. 톱날을 잡아 당겨서 톱날이 정확하게 잠겼는지 점검하십시오.

### 6.5 커버 장착

1. 배터리를 분리하십시오.
2. 커버가 소리를 내며 제 자리에 끼워질 때까지 앞에서부터 제품쪽으로 누르십시오.



커버는 베이스 플레이트가 일반 위치(영(0)도 위치)에 있을 때에만 끼울 수 있습니다.

### 6.6 흡입 아답터 설치

1. 흡입 아답터를 뒤쪽에서 수평 방향으로 베이스 플레이트쪽으로 밀어 측면의 양쪽 후크가 맞물려 고정되도록 하십시오.
2. 먼저 흡입기의 호스를 흡입 아답터에 연결하십시오.

## 7 조작

본 문서 및 제품에 나와 있는 안전 지침 및 경고 지침에 유의하십시오.

### 7.1 먼지 포집장치 사용



먼지 포집장치는 먼지 오염을 줄이고, 절단 작업의 시야를 개선하여 작업 안전성을 높이며, 먼지 및 칩이 작업장에 쌓이는 것을 방지해줍니다.

1. 커버를 끼우십시오. → 페이지 145



2. 목재 또는 본진 발생 빈도가 높은 소재를 장시간 동안 작업할 경우에는 항상 먼지 포집장치를 사용하십시오.

## 7.2 스위치 ON

1. 배터리를 삽입하십시오.



기기에 전원이 켜진 후 배터리를 기기 홀더쪽으로 밀 때 기기가 작동되지 않도록 안전 기능을 통해 보호됩니다.

먼저 ON/OFF 스위치를 되돌린 후 다시 앞쪽으로 미십시오.

2. 제품의 전원을 켜려면 ON/OFF 스위치를 앞쪽으로 밀어주십시오.

## 7.3 플런지 절단

1. 왕복 스트로크 세팅 레버를 위치 0으로 전환하십시오.
2. 본 제품을 베이스 플레이트의 전면부 모서리와 함께 공작물 위에 놓으십시오.
3. 제품을 꼭 잡고 ON/OFF 스위치를 누르십시오.
4. 제품을 공작물 방향으로 누른 다음 진입 각도를 줄여서 플런지 동작을 시작하십시오.
5. 공작물을 관통한 경우, 제품을 일반 작업 위치로 가져오십시오.
  - ▶ 베이스 플레이트 전체 면적에 놓여 있습니다.
6. 절단선을 따라 계속 절단하십시오.

## 7.4 스위치 OFF

- ▶ 제품의 전원을 끄려면 ON/OFF 스위치를 뒤쪽으로 미십시오.

## 8 분해

### 8.1 흡입 아답터 분리

1. 양쪽 후크를 안쪽으로 누르십시오.
2. 흡입 아답터를 베이스 플레이트에서 뒤쪽으로 빼내십시오.
3. 먼저 흡입기의 호스를 흡입 아답터로부터 빼내십시오.

### 8.2 커버 분리

1. 배터리를 분리하십시오.
2. 커버를 약간 기울인 후 커버를 앞쪽으로 빼내십시오.

### 8.3 톱날 제거



#### 경고

부상 위험. 톱날이 제어되지 않은 상태에서 빠지면 부상을 입을 수 있습니다.

- ▶ 톱날 제거 시 사람 또는 동물이 다치는 일이 없도록 톱날에서 제품을 제거하십시오.

1. 배터리를 분리하십시오.
2. 톱날 잠금 해제 레버를 측면 스톱 위치까지 돌리십시오.
  - ▶ 톱날이 풀리면서 빠집니다.

## 9 관리 및 유지보수



#### 경고

배터리가 끼워진 상태에서 부상 위험!

- ▶ 관리 및 수리 작업을 진행하기 전에 항상 배터리를 제거하십시오!

#### 제품 관리

- 공구에 부착되어 있는 오염물질을 조심스럽게 제거하십시오.
- 오염물질이 있는 경우, 부드러운 마른 솔로 환기 솔룩을 조심스럽게 청소하십시오.
- 약간의 물기가 있는 수건으로만 하우징을 청소해 주십시오. 플라스틱 부품을 손상시킬 수 있으므로 절대로 실리콘이 함유된 보호제를 사용하지 마십시오.





- 제품의 접점을 청소하려면 깨끗하고 마른 천을 사용하십시오.

#### 리튬 이온 배터리 관리

- 환기 슬롯이 막힌 상태에서는 절대 배터리를 사용하지 마십시오. 부드러운 마른 솔로 환기 슬롯을 조심스럽게 청소하십시오.
- 배터리가 불필요하게 먼지 또는 오염물에 노출되지 않도록 하십시오. 배터리를 절대 습도가 높은 곳에 두지 마십시오(예: 물 속에 담그거나 비내리는 곳에 두는 행위).  
배터리에 물이 들어가면, 손상된 배터리처럼 취급하십시오. 물이 들어간 배터리는 비가연성 용기에서 절연시킨 후, Hilti 서비스 센터에 문의해 주십시오.
- 배터리를 외부 오일 및 그리스가 묻지 않도록 깨끗하게 유지하십시오. 배터리에 불필요하게 먼지 또는 오염물이 쌓이지 않도록 하십시오. 배터리를 부드러운 마른 솔 또는 깨끗하고 마른 걸레로 닦아내십시오. 플라스틱 부품을 손상시킬 수 있으므로 절대로 실리콘이 함유된 보호제를 사용하지 마십시오.  
배터리의 접점에 접촉하지 말고, 접점에서 공구축에 부착된 그리스를 제거하지 마십시오.
- 약간의 물기가 있는 수건으로만 하우징을 청소해 주십시오. 플라스틱 부품을 손상시킬 수 있으므로 절대로 실리콘이 함유된 보호제를 사용하지 마십시오.

#### 유지보수

- 눈에 보이는 모든 부품은 정기적으로 손상 여부를 점검하고, 조작용소가 문제 없이 작동하는지 점검하십시오.
- 손상되었거나 기능 장애가 있는 경우에는 제품을 작동하지 마십시오. 즉시 Hilti 서비스 센터에 제품 수리를 의뢰하십시오.
- 관리 및 수리 작업 후 모든 보호장치를 가져와 기능에 이상이 없는지 점검하십시오.



안전하게 작동하기 위해서는 순정품 예비 부품 및 소모품만 사용하십시오. Hilti에서 승인한 예비 부품, 소모품 및 액세서리는 Hilti Store 또는 [www.hilti.group](http://www.hilti.group)에서 확인할 수 있습니다.

### 9.1 흡입 아답터 청소

1. 배터리를 분리하십시오.
2. 흡입 아답터를 분리하십시오. → 페이지 146
3. 흡입 아답터를 청소하십시오.
4. 후크가 손상되지 않았는지 점검하십시오.
5. 흡입 아답터를 설치하십시오. → 페이지 145

### 9.2 톱날 청소

1. 사용한 톱날에서 정기적으로 수지를 제거하십시오.
2. 톱날을 24시간 석유 또는 시중에서 유통되는 수지 제거제에 담가두십시오.

## 10 충전식 공구 및 배터리 운반 및 보관

### 운반



#### 주의

운반 시 돌발적으로 작동됨!

- ▶ 제품은 항상 배터리를 장착하지 않은 상태로 운반하십시오!
- ▶ 배터리를 분리하십시오.
- ▶ 배터리를 고정하지 않은 채로 운반해서는 절대 안 됩니다. 운반하는 도중 배터리에 과도한 충격을 받거나 진동이 발생하지 않게 하고 모든 전도성 소재 또는 다른 배터리로부터 분리시켜 다른 배터리 전극에 닿지 않고 단락이 발생하지 않게 하십시오. 배터리와 관련된 현지 운반 규정에 유의하십시오.
- ▶ 배터리는 우편을 통해 전달할 수 없습니다. 손상이 없는 배터리를 전송하고자 하는 경우 배송업체에 문의하십시오.
- ▶ 제품 및 배터리를 사용하기 전에 그리고 장시간 운반한 후에는 항상 손상 여부를 점검하십시오.

### 보관



#### 경고

배터리 결함 또는 방전으로 인한 돌발적인 손상!

- ▶ 제품은 항상 배터리를 장착하지 않은 상태로 보관하십시오!
- ▶ 제품 및 배터리를 냉각 및 건조시켜 보관하십시오. 기술자료에 제시된 허용 온도 한계값에 유의하십시오.
- ▶ 배터리를 충전기에 보관하지 마십시오. 충전 후에는 항상 배터리를 충전기에서 분리하십시오.
- ▶ 배터리는 절대 직사광선이 들어오는 곳, 열원 위 또는 유리 뒤쪽에 보관하지 마십시오.



- ▶ 제품 및 배터리는 건조한 상태로 어린이나 외부인의 손이 닿지 않는 곳에 보관하십시오.
- ▶ 제품 및 배터리를 사용하기 전에 그리고 장시간 보관한 후에는 항상 손상 여부를 점검하십시오.

## 11 문제 발생 시 도움말

본 도표를 제시되어 있지 않거나 스스로 해결할 수 없는 문제가 발생한 경우 **Hilti** 서비스 센터에 문의하십시오.

장애	예상되는 원인	해결책
톱날이 떨어짐.	톱날이 제대로 잠기지 않음.	▶ 클램핑 과정을 반복하십시오. ▶ 척 아담타가 완전히 열려 있고 톱날이 저항에 맞서 놀리는지 확인하십시오.
	클램핑 시스템 오염됨.	▶ 척 아담타를 청소하십시오.
톱날이 삽입되지 않음.	클램핑 시스템 오염됨.	▶ 척 아담타를 청소하십시오.
왕복 스트로크를 조정할 수 없음.	스트로크 레버의 홈이 더러워짐.	▶ 스트로크 레버의 홈에 있는 불순물을 제거하십시오.
왕복 스트로크가 작동하지 않음.	왕복 메커니즘이 더러워짐.	▶ 포크 영역에 오염 물질이 있는지 점검하고, 이를 제거하십시오.
	왕복 스트로크 레버가 "0" 위치에 있음.	▶ 원하는 값을 설정하십시오.
배터리가 평소보다 더 빨리 방전됨.	주변 온도가 너무 낮음.	▶ 실온에서 배터리를 서서히 따뜻하게 하십시오.
배터리를 밀어 넣을 때 찰카하는 소리가 들리지 않음.	배터리 래치 오염됨.	▶ 배터리 래치를 청소하고 배터리를 다시 끼우십시오.
1개 LED 깜박임. 기기가 작동하지 않음.	배터리가 방전되었음.	▶ 배터리를 교체하고 방전된 배터리를 충전하십시오.
	배터리 과열 또는 과냉.	▶ 실온에서 배터리를 서서히 따뜻하게 하거나 또는 냉각시키십시오.
4개 LED 모두 깜박임. 기기가 작동하지 않음.	기기가 과부하되었음.	▶ ON/OFF 스위치에서 손을 떼고 스위치를 다시 조작하십시오. 그리고 나서 기기를 공회전 속도에서 약 30 초간 작동시키십시오.
제품 또는 배터리에서 과도한 열 발생.	전기적 결함	▶ 즉시 기기를 끄고, 배터리를 분리하여 관찰한 후 냉각시키십시오. <b>Hilti</b> 서비스센터에 문의하십시오.

## 12 폐기

### 경고

부적절한 폐기로 인한 부상 위험! 새어나오는 가스 또는 용액으로 인한 건강상의 위험.

- ▶ 손상된 배터리는 전달하지 마십시오!
- ▶ 비전도성 소재로 연결 단자를 막아 두어 단락이 발생하지 않게 하십시오.
- ▶ 배터리가 어린이의 손에 닿지 않도록 폐기하십시오.
- ▶ **Hilti Store**에서 배터리를 폐기하거나 또는 담당 폐기물 처리 업체에 문의하십시오.

**Hilti** 제품은 대부분 재사용이 가능한 소재로 제작되었습니다. 재활용을 위해 개별 부품을 분리하여 주십시오. **Hilti**는 대부분의 국가에서 재활용을 위해 노후기기를 수거해 갑니다. **Hilti** 고객 서비스 센터 또는 판매 상담자에게 문의하십시오.



- ▶ 전통 공구, 전자기 기기 및 배터리를 일반 가정 쓰레기로 폐기하지 마십시오!

## 13 RoHS (유해물질 사용 제한 지침)

아래 링크에서 유해물질에 관한 도표를 확인할 수 있습니다. [qr.hilti.com/r5212958](http://qr.hilti.com/r5212958)  
RoHS 도표로 이어지는 링크는 본 문서 끝에 QR 코드 형식으로 제시되어 있습니다.



- ▶ 保 證 條 件 到 關 於 質 量 事 故 是 否 存 在 請 向 Hilti 合 夥 商 洽 詢 。

## 原始操作說明

### 1 關於操作說明的資訊

#### 1.1 關於此文件

- 初次使用前，請詳讀本操作說明。這是安全作業和使用無虞的先決條件。
- 請遵守本操作說明中與產品上的安全說明和警告。
- 操作說明應與產品一起保管，產品交付他人時務必連同本操作說明一併轉交。

僅適用於台灣

進口商: 喜利得股份有限公司

地址: 新北市板橋區

新站路16號24樓22041

電話: 0800-221-036

#### 1.2 已使用的符號說明

##### 1.2.1 警告

警告使用本產品的人員可能發生之危險。採用了以下標示文字：



**危險**

危險！

- ▶ 此標語警示會發生對人造成嚴重傷害甚至致死的危險情形。



**警告**

警告！

- ▶ 此標語警示會造成嚴重傷害甚至致死危險的潛在威脅。



**注意**

注意！

- ▶ 請小心會造成人員受傷或對設備及其他財產造成損害的潛在危險情況。

##### 1.2.2 文件中的符號

本文件中採用以下符號：



使用前請閱讀操作說明。



使用說明與其他資訊



處理可回收的材料



不可將電子設備與電池當作家庭廢棄物處置

##### 1.2.3 圖解中的符號

圖解中採用了以下符號：



號碼對應操作說明的開始處的圖解



編號代表圖解中的操作步驟順序，可能與內文中的步驟有所不同



項目參考編號用於總覽圖解，並請參閱產品總覽章節中使用的編號





本符號是為了讓您在操作本產品時可以注意某些重點。

### 1.3 產品專屬符號

#### 1.3.1 產品上的符號

產品上會採用下列符號：

$n_0$	無負載下的衝程率
---	直流電 (DC)
	本產品支援相容於iOS及Android平台的無線資料傳輸。
Li-Ion	鋰電池
	使用Hilti鋰電池類型系列。請遵守用途一節所提供之資訊。
	請勿將電池使用作為敲擊工具。
	避免電池掉落。不得使用遭受衝擊或其他原因遭成損壞的電池。

### 1.4 產品資訊

**HILTI** 產品是針對專業使用者設計，故僅經訓練、認可的人員可操作、維修與維護本產品。必須告知上述人員關於可能遭遇到的特殊危險。若因未經訓練人員操作錯誤或未依照其原本的用途操作，則本產品和它的輔助工具設備有可能會發生危險。型號和序號都標示於型號識別牌上。

- 在下方表格中填入序號。與Hilti代理商或Hilti維修中心聯絡詢問產品相關事宜時，請隨時參考該資訊。  
產品資訊

軌道式線鋸	SJT 6-A22
產品代別	01
序號	

### 1.5 符合聲明

基於我們唯一的責任，本公司在此聲明本產品符合適用的指示或標準。本文件結尾處有符合聲明之副本。技術文件已歸檔：

Hilti Entwicklungsgesellschaft mbH | Tool Certification | Hiltistrasse 6 | 86916 Kaufering, Germany

## 2 安全性

### 2.1 一般電動機具安全警告

**⚠ 警告** 請詳閱本電動機具提供的所有安全警告、指示、圖解和說明。未能遵守以下所有指示可能會造成電擊事故、火災和/或嚴重的傷害。

妥善保存所有警示及說明，以供將來參考。

注意事項中的「機具」係指使用電源（有線）或電池（無線）的電動機具。

#### 工作區域安全

- 請保持工作區的清潔與採光充足。雜亂而昏暗的工作區會導致意外發生。
- 勿在容易發生爆炸的環境中使用機具，例如有可燃性液體、瓦斯或粉塵存在的環境。機具產生的火花可能會引燃塵埃或煙霧。
- 操作機具時，請與兒童及旁人保持距離。注意力不集中時容易發生失控的情形。

#### 電力安全

- 機具插頭與插座須能互相搭配。勿以任何方式改裝插頭。勿將任何變壓器插頭和與地面接觸（接地）的電動機具搭配使用。未經改裝的插頭以及能互相搭配的插座可減少發生電擊的危險。



- ▶ 避免讓身體碰觸到如管線、散熱器、爐灶與冰箱等與土地或地表接觸之物品。如果您的身體接觸到地表或地面，將增加電擊的危險。
- ▶ 請勿將機具曝露在下雨或潮濕的環境中。若水氣進入機具中將增加觸電的危險。
- ▶ 勿濫用電纜線。勿以電纜線吊掛、拖拉機具或拔下機具插頭。電纜線應避開熱氣、油、銳利的邊緣或移動性零件。電纜線損壞或纏繞會增加發生電擊事故的危險。
- ▶ 於室外操作機具時，須使用適用於戶外的延長線。使用適合戶外使用的延長線可降低觸電的風險。
- ▶ 如果無法避免在潮濕的地點操作機具，請使用漏電斷路器 (RCD) 保護電源供應器。使用漏電斷路器 (RCD) 可降低電擊的風險。

### 人員安全

- ▶ 操作機具時，請提高警覺，注意進行中的工作並善用常識。感到疲勞或受到藥物、酒精或治療的影響時勿使用機具。操作機具時稍不留神就可能造成嚴重的人員傷亡。
- ▶ 穿戴個人防護裝備。請隨時穿戴眼罩。適當使用防塵面罩、防滑鞋、安全帽及耳罩等安全防護配備可減少人員的傷害。
- ▶ 避免不經意的啟動。在接上電源或電池組、抬起或攜帶機具之前，務必確認開關處於關閉的位置。攜帶機具時，如果把手指放在開關上，或在開關開啟時，將機具插上插頭容易發生意外。
- ▶ 啟動機具前，應將所有調整鑰匙或扳手移開。將扳手或鑰匙留在機具的旋轉零件中可能會造成人員傷害。
- ▶ 勿將手伸出過遠。隨時站穩並維持平衡。這可讓您在意外情況發生時，對機具有較好的控制。
- ▶ 穿著適當服裝。請勿穿著寬鬆的衣服或佩戴珠寶。頭髮、衣服與手衣應遠離移動性零件。移動性零件可能會夾到寬鬆的衣服、珠寶或長髮。
- ▶ 如果機具可連接吸塵裝置與集塵設備，請連接並適當使用這些設備。使用集塵裝置可降低與粉塵有關的危險。
- ▶ 請勿因頻繁而習慣使用機具便疏於遵守或忽略機具的安全規範。草率使用可能在轉眼間便造成嚴重的傷害。

### 機具使用與保養

- ▶ 不可強制使用機具。依據用途使用正確的機具。根據設計的速率使用機具可更快速安全地完成工作。
- ▶ 若開關無法啟動或關閉電動工具時，請勿使用電動工具。任何無法以開關控制的機具都很危險且需要維修。
- ▶ 在進行任何調整、更換配件、或貯放電動機具前，請先將插頭拔離插座和 / 或將電池組自電動機具卸下 (如可拆卸)。此預防安全措施可降低機具意外啟動的風險。
- ▶ 將閒置的機具貯放在兒童拿不到的地方，勿讓不熟悉或未詳閱本說明的人員操作本機具。機具在未經訓練的使用者手中是很危險的。
- ▶ 維護機具與配件。請檢查移動性零件有無偏移或黏合的情形、零件有無破損，以及任何會影響機具運轉的狀況。如果機具受損，請先維修後再使用。很多意外便是由維護不當的機具造成的。
- ▶ 保持切割機具的銳利與清潔。具銳利切割邊緣的切割機具如果得到適當的維護，便較不會發生黏合的現象，且較容易控制。
- ▶ 遵守本指示說明使用機具、配件和工具組等，並考量工作條件與待進行的工作。將機具用在原目的之外用途可能會造成危險。
- ▶ 保持握把與其表面的乾燥、清潔且不要讓上面出現油漬。握把及其表面濕滑會在意外情況中造成機具無法安全掌控。

### 電池機具的使用與保養

- ▶ 務必使用原廠指定的充電器進行充電。將適合特定類型電池的充電器使用在其他電池時，會有造成火災的危險。
- ▶ 務必使用機具特別指定的電池匣。使用其他的電池匣可能會造成受傷或火災。
- ▶ 電池匣未使用時，請將其遠離如迴紋針、錢幣、鑰匙、針、固定釘或其他會在電池兩極間形成連結的小型金屬物件。在電池兩極間建立短路可能會造成灼傷或火災。
- ▶ 若使用不當，可能會有液體由電池流出；請避免接觸該液體。若不慎接觸，請以清水沖洗。如果不小心讓液體接觸到眼睛，請立即尋求醫療援助。從電池中滲出的液體，可能會導致過敏或灼傷。
- ▶ 請勿使用損壞或改裝過的電池組或機具。受損或改裝過的電池可能會無法正常運作而造成起火、爆炸或受傷的風險。
- ▶ 請勿將電池組或機具曝露在火源或極端的溫度環境中。曝露在火源或溫度超過 130°C (265°F) 的環境下可能會造成爆炸。
- ▶ 請遵守充電操作說明且不要在說明所載的溫度範圍之外為電池組或機具充電。不當充電或在指定溫度範圍外充電均可能造成電池損壞並提高起火的風險。

### 維修服務

- ▶ 請將機具交給合格的維修人員進行維修，並使用相同的替代零件。這可確保維護機具安全。
- ▶ 請勿自行維修損壞的電池。損壞的電池僅可由製造商或授權的維修商進行維修。



## 2.2 採用軍刀鋸片之電鋸的安全說明

- ▶ 在執行配件工具可能會接觸到隱藏線路之工作時，務必以握住絕緣握把的方式手持機具。若與帶電線路接觸，機具的金屬零件也會通電，而造成觸電的情況。
- ▶ 請使用夾子或其他適合之方式將工件確實固定在穩定之表面上。只用手或身體抵住的方式固定工件將造成不穩定，進而失去控制。

## 2.3 其他安全指示

### 人員安全

- ▶ 請使用狀態良好無瑕疵的機具。
- ▶ 勿嘗試以任何方式改裝機具。
- ▶ 請保持機具握把清潔和乾燥。
- ▶ 使用機具時請配戴護目鏡、耳罩及防護手套。
- ▶ 請在更換配件工具時戴上防護手套。觸摸配件可能會造成受傷（割傷或燙傷）。
- ▶ 穿戴護目鏡。飛散的碎片可能會傷害身體與眼睛。
- ▶ 請勿直視機具的光源（LED），亦不得直接往他人臉上照射。如此可預防量眩或眼睛受傷的危險。
- ▶ 在開始作業前，請先針對作業時所產生粉塵之危險等級進行檢查。使用符合當地粉塵防治條例，且經法定認可為保護等級之工業用吸塵器。
- ▶ 請確保工作場所有良好通風，必要時，請依會產生的粉塵類型穿戴適合的口罩。操作人員與旁觀者接觸或吸入粉塵可能會引起過敏及 / 或造成呼吸問題或其他疾病。像是橡木與山毛櫸木材的粉塵已列為致癌物質，尤其是當它們使用調濕塗料（鉻酸鹽、木材防腐劑）時。包含石綿之基材務必由專人處理。
- ▶ 請利用工作空檔時休息，並活動您的手指以促進血液循環。長時間暴露在震動下會造成手指、手掌和手腕的血管和神經系統失調。

### 電力安全

- ▶ 開始工作前，請先檢查工作區域是否有隱藏的電纜線、瓦斯管或水管。若不小心損壞電纜線，機具外部的金屬零件可能會造成觸電。

### 小心處理與使用電子機具

- ▶ 固定工件。以老虎鉗或其他夾緊裝置固定工件會較用手握持更穩固。

### 線鋸的特殊安全須知

- ▶ 工作時，請讓身體與本產品隨時保持距離。
- ▶ 嚴禁將手放置於鋸片前或鋸片上。
- ▶ 請勿切割不明的基材，並確保工件上方與下方的切割線沒有障礙物。
- ▶ 進行切割時，請勿將手伸到工件中或握住其下方。

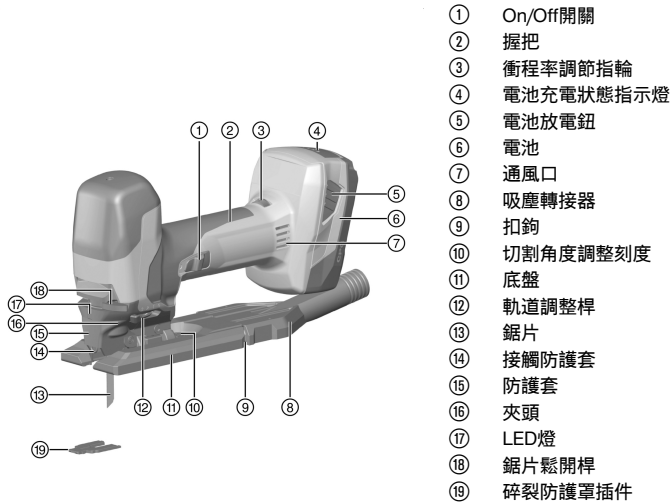
## 2.4 小心處理和使用電池

- ▶ 遵守適用於鋰電池之運送、存放與使用的特別指南。
- ▶ 請勿讓電池暴露在高溫下、讓陽光直接照射或接觸火焰。
- ▶ 請勿拆解、擠壓或焚燒電池，且不可將電池置放在溫度超過80°C（176°F）的環境中。
- ▶ 請勿使用或充電受到機械性衝擊、從高處摔落或有損壞跡象之電池。在此情況下，務必聯絡Hilti維修中心。
- ▶ 若電池溫度過高無法觸摸，表示電池可能已經毀損。將電池放在清楚可見且沒有火災危險、遠離易燃材料的位置。讓電池冷卻。若一小時後電池溫度仍然過高無法觸摸，表示電池可能已經毀損。聯絡Hilti維修中心。



## 3 說明

### 3.1 產品總覽



### 3.2 預期用途

本文所述產品為手持充電軌道式線鋸。本機具專為切割塑膠、木材與金屬材料，以及鎖牆板與石膏纖維板。該產品配有一個選配吸塵器的可拆卸式連接件，該連接件設計用於一般吸塵軟管。要將真空吸塵軟連接至本產品，可能需要使用合適的轉接器。

- ▶ 本產品限使用B 22系列Hilti鋰電池。
- ▶ 以上電池限使用C4/36系列Hilti電池充電器。
- ▶ 本產品限搭配具有T型握把之鋸片使用。

### 3.3 可能發生的誤用

- 請勿使用本產品切割樹枝或樹幹。
- 請勿使用本產品切割具危險性之材料。
- 請勿在濕氣重或潮濕的環境中使用本產品。

### 3.4 充電狀態顯示幕

每輕按一下電池拆卸鈕，就會顯示鋰電池的充電狀態（只需按到感覺有阻力為止）。

狀態	意義
4個LED亮起。	充電狀態：75 %至100 %
3個LED亮起。	充電狀態：50 %至75 %
2個LED亮起。	充電狀態：25 %至50 %
1個LED亮起。	充電狀態：10 %至25 %
1個LED閃爍。	充電狀態：< 10 %

按下控制開關然後放開控制開關超過5秒後，將無法顯示電池充電狀態。若電池充電狀態LED燈閃爍，請參閱「故障排除」一節所提供的資訊。



### 3.5 除塵器

除塵器會以氣流吹向鋸片讓切割線上無粉塵。

### 3.6 衝程速率

轉動指輪可調整衝程率。位置1代表每分鐘800個衝程而位置6則代表每分鐘3000個衝程。

### 3.7 4軌道設定

4軌道設定可依切割的材料調整切割效能與品質。軌道調整桿可將機具調整為4種設定其中一種。軌道設定越低，切割邊緣的細膩與俐落程度也越好。可透過實際測試找出最佳的設定。

狀態	意義
位置0	無軌道
位置1	低軌道
位置2	中軌道
位置3	高軌道

### 3.8 碎裂防護罩插件

本產品可配備一碎裂防護罩插件。  
碎裂防護罩插件可在切割時避免木材表面的碎裂情形。

### 3.9 自動關閉

若連續按住On/Off開關超過15分鐘（例如運輸或貯放時不慎誤觸），機具將會自動關閉。這樣可避免電池過度防電。

### 3.10 配備及數量

軌道式線鋸含鋸片、防護套、除塵轉接器、碎片防護罩插件、操作說明、內六角扳手。  
關於產品，您可於當地Hilti中心或網站[www.hilti.com](http://www.hilti.com)查詢其他經過認證的系統產品。

## 4 技術資料

### 4.1 軌道式線鋸

	SJT 6-A22
額定電壓	21.6 V
重量 (依據EPTA Procedure 01) , 含B22/8.0電池	3.2 kg
衝程長度	28 mm
無負載下的衝程率 (n <sub>0</sub> )	800 rpm ... 3,000 rpm
木材的最大切割效能	150 mm
鋁材的最大切割效能	25 mm
非合金鋼材的最大切割效能	10 mm
切割角度 (左 / 右)	0° ... 45°
吸塵轉接器外徑	27.5 mm
貯放溫度	-20 °C ... 70 °C
操作時的環境溫度	-17 °C ... 60 °C
電池充電啟動溫度	-10 °C ... 45 °C
貯放溫度	-20 °C ... 40 °C
操作時的環境溫度	-17 °C ... 60 °C

### 4.2 噪音資訊和震動值 (依據EN 62841)

操作說明中所提供之音壓和震動值已參照標準測量，並可用來比較不同機具之噪音。它們也可作為噪音量的初步評估。





提供之資料表示機具主要應用時之數值。若機具應用於不同之用途，搭配不同的配件工具或在保養不良的情況下，其數據會有所不同。在作業過程中，這會大幅提高其噪音量。

當機具關閉，或開啟但未進行任何作業時也應列入考量，才能準確評估噪音量。在作業過程中，這會大幅降低其噪音量。

確認其他安全措施，以保護操作員不受噪音和 / 或震動影響，例如：保養機具與其配件、操作前保持雙手溫暖、作業型式之安排等。

#### 震動值

	SJT 6-A22
聲功率級數 (L <sub>WA</sub> )	100 dB(A)
無法判定的聲功率級數 (K <sub>WA</sub> )	5 dB(A)
音壓級數 (L <sub>pA</sub> )	89 dB(A)
無法判定的音壓級數 (K <sub>pA</sub> )	5 dB(A)

#### 總震動

	SJT 6-A22
切割木板的震動噪音值 (a <sub>h, B</sub> )	5.0 m/s <sup>2</sup>
無法判定的切割夾板 (K)	1.5 m/s <sup>2</sup>
切割金屬薄片的震動噪音值 (a <sub>h, M</sub> )	7.9 m/s <sup>2</sup>
無法判定的切割金屬薄片 (K)	1.5 m/s <sup>2</sup>

## 5 電池

電池操作電壓	21.6 V
操作時的環境溫度	-17 °C ... 60 °C
貯放溫度	-20 °C ... 40 °C
電池充電啟動溫度	-10 °C ... 45 °C

## 6 工作場所的準備工作

### 警告

有受傷的風險！因意外啟動

- ▶ 置入電池前，請確認產品已關閉。
- ▶ 在調整機具或變更配件前請先將電池拆下。

請遵守本文件中與產品上的安全說明和警告。

### 6.1 為電池充電

1. 電池充電前，請閱讀充電器的操作手冊。
2. 確認電池的接點和充電器的接點清潔且乾燥。
3. 請使用經認可的充電器對電池充電。→ 頁次 153

### 6.2 置入電池

#### 警告

有受傷的危險 因短路或電池掉落！

- ▶ 置入電池前，請確認電池的接點及產品的接點上無任何異物。
- ▶ 確認電池已確實咬合。

1. 初次使用前，請將電池完全充電。
2. 將電池推入產品中，直到聽到卡入聲。
3. 請檢查電池是否安裝牢固。

### 6.3 卸下電池

1. 按下電池拆卸鈕。



2. 請將電池自充電器卸下。

## 6.4 安裝鋸片

1. 卸下電池。
2. 將鋸片（鋸齒朝切割方向）向鋸片座內推直到卡住。
3. 握住並拉動鋸片以確認其是否有確實固定。

## 6.5 安裝防護套

1. 卸下電池。
2. 將防護套從前端朝機具上推直到其卡至定位為止。



防護套僅可在基板位於正常位置（零度位置）時才能安裝。

## 6.6 安裝除塵轉接器

1. 將除塵轉接器後方水平推入底盤，直到兩側的扣鉤卡住為止。
2. 將真空吸塵器軟管連接至除塵轉接器。

## 7 操作

請遵守本文件中與產品上的安全說明和警告。

### 7.1 使用吸塵裝置



吸塵系統可減少粉塵量、讓切割線更清楚並降低被工件粉塵及木屑噴到的風險以增加安全性。

1. 安裝防護套。→ 頁次 156
2. 長時間處理會產生高密度粉塵的木材或材料時，請務必使用吸塵裝置。

### 7.2 開啟開關

1. 置入電池。



安全聯鎖裝置可確保機器不會因為開啟後才將電池裝入機具而意外啟動。  
將On/Off開關向後拉，然後再往前推。

2. 若要啟動機具，請將On/Off開關往前推。

### 7.3 進刀切割

1. 將軌道調整桿設為位置0。
2. 將基板前緣與工件接觸。
3. 緊握產品並按下On/Off開關。
4. 將產品緊抵住工件並以慢慢降低攻角的方式開始進刀切割。
5. 一旦鋸片穿透工件後，請讓本產品回到其正常作業位置。
  - ▶ 接著基板便會平放在工作面上。
6. 繼續沿切割線進行切割。

### 7.4 關閉開關

- ▶ 若要關閉機具，請將On/Off開關往回推。

## 8 除塵

### 8.1 拆卸吸塵轉接器

1. 將兩個固定扣鉤向內壓。
2. 將吸塵轉接器往後拉從基板上卸下。



3. 將真空吸塵器軟管從吸塵轉接器上拉下。

## 8.2 卸下防護套

1. 卸下電池。
2. 將防護套稍微傾斜並向前拉將其卸下。

## 8.3 退出鋸片

### 警告

有受傷的危險！鋸片意外退出會造成受傷。

- ▶ 退出鋸片時，請握住產品使其不會造成他人或動物受傷。

1. 卸下電池。
2. 將鋸片釋放桿盡可能向旁邊推。
  - ▶ 鋸片便會鬆開並退出。

## 9 維護及保養

### 警告

電池裝入時有受傷的危險！

- ▶ 進行維護及保養前，請務必卸下電池！

### 產品保養

- 小心地清除頑強的髒污。
- 若有，請使用乾燥的軟刷子小心地清潔通風口。
- 僅可使用微濕的軟布清潔機殼。請勿使用含矽膠的清潔或亮光劑，因為可能會造成塑膠零件損壞。
- 請使用乾淨的乾布清潔產品的接點。

### 鋰電池的保養

- 通風口堵塞時請勿使用電池。請使用乾燥的軟刷子小心地清潔通風口。
- 請避免電池暴露在粉塵或髒污的環境之中。請勿讓電池接觸過高的濕氣（例如：浸入水中或淋雨）。
- 電池若濕透，請將該電池視為已受損。請將電池隔絕在不可燃的容器內，並洽詢Hilti維修中心。
- 避免電池沾上油脂。避免讓電池上積聚粉塵或髒污。請使用乾燥的軟刷或乾淨的乾布清潔電池。請勿使用含矽膠的清潔或亮光劑，因為可能會造成塑膠零件損壞。請勿觸摸電池的觸點或從觸點上去除廠塗敷的油脂
- 僅可使用微濕的軟布清潔機殼。請勿使用含矽膠的清潔或亮光劑，因為可能會造成塑膠零件損壞。

### 維護

- 定期檢查外部零件和控制元件有無損壞跡象，並確認它們運作正常。
- 如果有損壞跡象及/或任何零件功能故障，請不要運行本產品。請將產品交付Hilti維修中心進行維修。
- 維護及修復作業後，裝上所有保護裝置並檢查功能是否正常。



為確保運作的安全及可靠性，請務必使用原廠Hilti備件與耗材。您可以在Hilti Store或在以下網站選購Hilti認可的備用零件、耗材和配件：[www.hilti.group](http://www.hilti.group)

## 9.1 清潔吸塵轉接器

1. 卸下電池。
2. 拆卸吸塵轉接器。→ 頁次 156
3. 清潔吸塵轉接器。
4. 確認所有扣鉤均未受損。
5. 安裝除塵轉接器。→ 頁次 156

## 9.2 清潔鋸片

1. 定期將鋸片的樹脂殘留清除。
2. 將鋸片泡在煤油（燈油）或市售樹脂清潔劑中24小時。



## 10 充電式機具和電池的運輸與存放

### 搬運

#### 注意

搬運時意外啟動！

▶ 搬運產品時務必卸下電池！

- ▶ 取出電池。
- ▶ 切勿散裝運輸電池。運送過程中，應保護電池避免衝擊與震動並與導物質或其他電池隔離，以免因與電池端子接觸而造成短路。請遵守您所在地當地的電池運輸規範。
- ▶ 請勿以郵寄方式遞送電池。若要運送未損壞之電池，請洽詢運送服務商。
- ▶ 每次使用前以及長途運輸前後請檢查本產品和電池是否受損。

### 設備的貯放

#### 警告

瑕疵或漏液的電池所造成的意外損害！

▶ 存放產品時，一律不可插入電池！

- ▶ 請將本產品和電池存放在陰涼及乾燥處。請遵守技術性數據中所規定的溫度極限值。
- ▶ 請勿將電池貯放在充電器中。完成充電程序後，請將電池從充電器取出。
- ▶ 請勿將電池存放在有日光直射處、熱源上或玻璃後方。
- ▶ 請將本產品和電池存放在兒童或未授權人員無法觸及的地點。
- ▶ 每次使用前以及長時間存放前後請檢查本產品和電池是否受損。

## 11 故障排除

若您遇到未列出的問題或是無法自行排除的問題，請聯絡Hilti維修中心。

故障	可能原因	解決方法
鋸片掉出。	鋸片未正確咬合。	<ul style="list-style-type: none"> <li>▶ 重複進刀程序。</li> <li>▶ 確認鋸片座完全開啟且鋸片有完全推到彈簧底部。</li> </ul>
	夾緊系統被外物卡住。	▶ 清潔鋸片座。
無法插入鋸片。	夾緊系統被外物卡住。	▶ 清潔鋸片座。
無法調整軌道。	軌道調整桿溝槽中有異物。	▶ 清潔軌道調整桿溝槽。
軌道無法運作。	軌道機制被異物卡住。	▶ 確認軌道區中是否有異物並將其清除。
	軌道調整桿位於位置「0」。	▶ 將其調到希望的設定。
電池較一般電池壽命短。	周遭環境溫度極低。	▶ 將電池放在室溫下緩慢升溫。
電池咬合時不會發出兩聲喀啦聲。	電池上的卡榫太髒。	▶ 清潔卡榫並重新安裝電池。
1個LED閃爍。 裝置無法工作。	電池電量不足。	▶ 更換電池，並對無電量的電池再次充電。
	該電池過熱或過冷。	▶ 將電池放在室溫下緩慢降溫或升溫。
4個LED閃爍。 裝置無法工作。	機具已過載。	▶ 按一下On/Off開關，然後放開。然後讓機具在無負載的情況下運轉約30秒。
機具或電池變得很燙。	電力故障。	▶ 立即將電動機具關閉，卸下電池，將機具置於可隨時觀察的位置，讓它靜置冷卻並聯絡Hilti維修中心。




## 12 廢棄設備處置

### 警告

不當的廢棄物處理可能導致人員受傷！洩漏出來的氣體或液體有害健康。

- ▶ 請勿以郵寄方式寄送電池。
- ▶ 將電池端子蓋上不導電物質（例如絕緣膠帶）以避免短路。
- ▶ 請將電池棄置於兒童無法觸及的地方。
- ▶ 請將該電池送交Hilti Store處理或洽詢權責的廢棄處理公司。

 Hilti產品所採用的材料大部分均可回收再利用。材料在回收前必須正確地分類。Hilti在許多國家都有提供老舊機具回收服務。請洽詢Hilti客服中心或您在地經銷商。



- ▶ 不可將電動工具、電動裝置和電池當成一般垃圾丟棄！

## 13 RoHS (有害物質限制指令)

按一下本連結可前往危險物質表：[qr.hilti.com/r5212958](http://qr.hilti.com/r5212958)

您可在文件最後找到QR碼格式的RoHS表連結。

## 14 製造商保固

- ▶ 如果您對於保固條件有任何問題，請聯絡當地Hilti代理商。

Hilti Taiwan Co., Ltd.

24F., No. 16, Xinzhan Rd., Banqiao Dist., New Taipei City 220, Taiwan (R.O.C.)

Tel. 0800-221-036

## 原版操作说明

### 1 关于本操作说明的信息

#### 1.1 关于本操作说明

- 首次使用或操作产品前，先阅读本操作说明。这是安全、无故障操作和使用产品的先决条件。
- 请注意本操作说明中以及产品上的安全说明和警告。
- 请务必将本操作说明与本产品保存在一起，确保将操作说明随产品一起交给他人。

#### 1.2 使用符号的说明

##### 1.2.1 警告

警告是为了提醒您在处理或使用此产品时会发生的危险。使用以下信号词：

##### -危险-

危险！

- ▶ 用于让人们能够注意到会导致严重身体伤害或致命的迫近危险。

##### -警告-

警告！

- ▶ 用于提醒人们注意可能导致严重或致命伤害的潜在危险。

##### -小心-

小心！

- ▶ 用于提醒人们注意可能造成人身伤害、设备损坏或其他财产损失的潜在危险情况。

##### 1.2.2 文档中的符号

本文中档使用下列符号：



2150256

	请在使用之前阅读操作说明。
	使用说明和其他有用信息
	处理可回收材料
	不得将电气设备和电池作为生活垃圾处置

### 1.2.3 图示中的符号

图示中使用了下列符号：

	这些编号指本操作说明开始处的相应图示。
3	图示中的编号反映操作顺序，可能与文本中描述的步骤不同。
	概览图示中使用了项目参考号，该参考号指的是产品概览部分中使用的编号。
	这些符号旨在提醒您在操作本产品时要特别注意的某些要点。

## 1.3 取决于产品的符号

### 1.3.1 产品上的符号

产品上可以使用下列符号：

$n_0$	空载时的冲数
	直流电 (DC)
	本产品支持无线数据传输，兼容 iOS 和 Android 平台。
Li-Ion	锂离子电池
	使用 Hilti 锂离子电池类型系列。请遵守该章节中给出的信息，标题为 <b>预期用途</b> 。
	切勿将电池用作敲击工具。
	请勿让电池掉落。切勿使用受到撞击或有任何损坏的电池。

## 1.4 产品信息

产品经设计适用于专业用户，只有经过专门训练的授权人员才允许操作、维修和维护本产品。必须将任何可能的危险专门告知该人员。不按照既定用途使用或由未经培训的人员不正确地使用本产品及其辅助设备可能会带来危险。

型号名称和序列号印在型号铭牌上。

- 在下表中填写序列号。当与 Hilti 代表或 Hilti 维修中心联系询问产品时，总是需要引用该信息。

#### 产品信息

轨道动作机动锯	SJT 6-A22
分代号	01
序列号	

## 1.5 符合性声明

按照我们单方面的责任，我们声明本产品符合下列适用指令和标准：一致性声明副本位于本文档结尾处。技术文档在此处归档：

Hilti Entwicklungsgesellschaft mbH | Tool Certification | Hiltistrasse 6 | 86916 Kaufering, Germany



## 2 安全

### 2.1 一般电动工具安全警告

**警告** 请阅读本电动工具随附的所有安全警告、说明、图示和技术规范。不遵守下列所有操作说明可能会导致电击、火灾和/或严重人身伤害。

请保存所有安全警告和操作说明，以供将来参考。

在所有下列的警告中术语“电动工具”指市电驱动(有线)电动工具或电池驱动(无线)电动工具。

#### 工作区域安全

- ▶ 保持工作区域清洁和良好照明。杂乱和黑暗的区域容易导致事故。
- ▶ 不要在爆炸性环境中操作电动工具，例如有易燃液体、气体或灰尘。电动工具会产生可以点燃这些灰尘或烟雾的火花。
- ▶ 在操作电动工具时，要令儿童和旁观者远离工作现场。万一分心，可能会使您失去对电动工具的控制。

#### 电气安全

- ▶ 电动工具(设备)插头必须匹配电源插座。切勿以任何方式改动插头。对于接地的电动工具(设备)，不要使用任何适配器插头。使用未经改动的插头和匹配的电源插座可以大大减少电击危险。
- ▶ 避免人体接触接地表面，如管道、散热片和冰箱。如果您的身体接地，则会增加电击危险。
- ▶ 不要将电动工具暴露在雨水或潮湿环境中。电动工具进水将会增加电击危险。
- ▶ 不要滥用电缆。切勿使用电缆运送、拉动或拔出电动工具。保持电缆远离高温、油、锋利边缘或运动部件。电缆损坏或缠绕会增加电击危险。
- ▶ 当在户外操作电动工具时，应使用经认可适合户外操作的加长电缆。使用适合户外使用的电缆可减少电击危险。
- ▶ 如果在潮湿环境下操作电动工具是不可避免的，应使用剩余电流动作保护器(RCD)。使用RCD可减小电击危险。

#### 人身安全

- ▶ 保持警觉，注意您正在进行的工作，并在操作电动工具的过程中，应利用自己的判断能力。当您疲劳或受到药物、酒精或医疗影响时，请不要使用电动工具。当操作电动工具时，瞬间的分心都可能导致严重的人身伤害。
- ▶ 使用个人防护装备。一定要戴上护目装置。安全装置，诸如适当条件下使用防尘面具、防滑安全鞋、安全帽、听力防护等装置能减少人身伤害。
- ▶ 防止电动工具意外启动。在连接至电源和/或电池组、拿起或搬运电动工具之前，应确保开关处于“关闭”位置。将手指放在开关上搬运电动工具或在开关处于“打开”位置时接通电源，都可能会导致事故发生。
- ▶ 在打开电动工具之前，必须拿掉任何调整键或扳手。让扳手或调整键留在电动工具的旋转部件上可能会导致人身伤害。
- ▶ 不要操之过急。应时刻保持正确的站姿和平衡。这在意外情况下能够更好地控制电动工具。
- ▶ 应确保正确着装。不要穿着松垮的衣服或佩戴首饰。让头发和衣服远离运动部件。松垮的衣服、首饰或长发会卡在运动部件中。
- ▶ 如果提供有用连接除尘和集尘设施的装置，应确保将它们连接好并正确使用。使用除尘装置可以减少与灰尘相关的危险。
- ▶ 经常使用工具能令您获得较高的熟练度，但不能因此掉以轻心和忽视工具安全准则。一次不慎操作就会在瞬间导致重伤。

#### 电动工具的使用和维护

- ▶ 不要强制使用电动工具。针对您的应用场合使用正确的电动工具。正确的电动工具在其额定设计值范围内将能够更好和更安全地工作。
- ▶ 如果通过开关不能使其打开和关闭，则请不要使用电动工具。任何不能通过开关进行控制的电动工具都是危险的，必须对其进行修理。
- ▶ 在进行任何调整、更换配件或存放电动工具之前，应从电源上断开插头和/或从电动工具上拆下电池组(若可拆卸)。此预防性安全措施可减少意外启动电动工具的危险。
- ▶ 将不用的电动工具存放在儿童拿不到的地方，并且不要让不熟悉电动工具或其操作说明的人员操作电动工具。未经培训的用户操作电动工具是危险的。
- ▶ 维护电动工具和配件。检查是否存在运动部件失调或卡滞、部件断裂和任何其它影响电动工具操作的情况。如果存在损坏，则在使用之前应修理电动工具。许多事故都是由于电动工具维护不良造成的。
- ▶ 保持切削工具锋利和清洁。带锋利切削刃的切削工具如果维护得当，很少会发生卡滞且更容易控制。
- ▶ 按照使用说明书，考虑作业条件和进行的作业来使用电动工具、附件和工具的刀头等。将电动工具用于指定用途以外的场合会导致危险。
- ▶ 使手柄和抓握面保持干燥、清洁且没有油脂。如果手柄和抓握面打滑，将无法在意外情况下安全操作或控制本工具。



## 无绳 (电池操作) 工具/设备的使用和维护

- ▶ 充电时只能使用制造商指定的充电器。适合某种类型电池组的充电器如果被用于为另一类型电池组充电, 则可能会带来火灾危险。
- ▶ 只能使用专用电池组为电动工具供电。使用任何其它电池组可能会带来人身伤害和火灾。
- ▶ 当电池组不用时, 应使其远离其它金属物体, 例如纸夹、硬币、钥匙、钉子、螺钉或其它小的金属物体, 以免造成短路。如果电池端子被短路, 则会造成人员烧伤或火灾。
- ▶ 如果持续滥用电池, 则可能会造成液体从电池中喷射出来; 注意避免接触到液体。如果意外接触到液体, 应用水冲洗。如果液体接触眼睛, 除了用大量清水冲洗外, 还应立即就医。从电池中喷射出来的液体会导致疼痛或灼伤。
- ▶ 不要使用损坏或改装过的电池组或工具。损坏或改装过的电池会造成不可预测的情形, 导致火灾、爆炸或受伤风险。
- ▶ 不要将电池组或工具暴露在明火或过高的温度中。暴露在明火或超过 130 °C (265 °F) 温度中可能导致爆炸。
- ▶ 遵守所有充电说明, 且不要在使用说明规定的温度范围之外对电池组或工具充电。充电不正确或在规定温度范围之外充电会损坏电池并增加火灾风险。

## 保养

- ▶ 将你的电动工具送交专业维修人员, 使用同样的备件进行修理。这样才能可确保维持电动工具 (设备) 的安全性。
- ▶ 切勿擅自维修损坏的电池组。仅可由制造商或授权服务提供商执行电池组的维修。

## 2.2 有关使用往复锯条的锯机的安全说明

- ▶ 如果配套工具的工作区域可能接触到隐藏的线束, 只能握住电动工具的绝缘把手表面进行操作。如果触点由带电电缆制成, 则本电动工具的金属部分也会带电, 从而导致触电。
- ▶ 使用夹具或其他适当方法将工件牢牢固定到稳固的支撑面上。仅用手或者靠着身体持住工件, 使工件处于不稳定状态, 这会导致失控危险。

## 2.3 附加安全说明

### 人身安全

- ▶ 电动工具只有在处于良好的技术状态时才能使用。
- ▶ 切勿试图以任何方式篡改或改造电动工具。
- ▶ 保持把手清洁干燥。
- ▶ 当使用工具时, 必须佩带合适的护目镜、护耳装置和防护手套。
- ▶ 更换配套工具时, 戴上防护手套。触摸配套工具会带来伤害风险 (割伤或烫伤)。
- ▶ 请戴上护目装置。飞溅的碎片有导致身体和眼睛受伤的风险。
- ▶ 不得直视电动工具中集成的光源 (LED), 且不得用光束直射其他人的脸部。这会导致眩晕或使眼睛受到伤害。
- ▶ 开始作业前, 请测定所产生粉尘的危害等级。请使用具有官方认可防护等级的工业真空吸尘器, 并遵守当地适用的粉尘防护法规。
- ▶ 确保工作场所通风良好, 并在必要时佩戴与所产生的粉尘类型相适应的呼吸器。接触或吸入这些粉尘可能会导致操作者或旁观者出现过敏性反应和/或呼吸疾病或其他疾病。某些种类的粉尘还属于致癌物质, 例如橡木和山毛榉木粉尘, 特别是与木材调节添加剂 (铬酸盐、木材防腐剂) 一起使用时。含石棉的材料只能由专业人员处理。
- ▶ 工作间隙抽时间休息并做体育锻炼, 改善手指的血液循环状况。工作期间长时间暴露于振动环境中可能导致手指、手掌和手腕部位血管和神经系统紊乱。

### 电气安全

- ▶ 开始工作之前, 检查工作区域是否有隐蔽的电缆或天然气和水管。如果意外损坏了电缆, 电动工具的外部金属件可能导致电击。

### 小心操作和使用电动工具

- ▶ 固定工件。用老虎钳夹紧或通过一些其他夹紧设备固定工件比用手扶持更加稳固。

### 机动锯的特殊安全说明

- ▶ 使用本产品时务必让其远离您的身体。
- ▶ 切勿将手放在锯条前面或上面。
- ▶ 切勿锯割未知材料, 并保持工件上部和下部的锯割线处无障碍物。
- ▶ 切勿在切割期间触碰或握住工件下部。



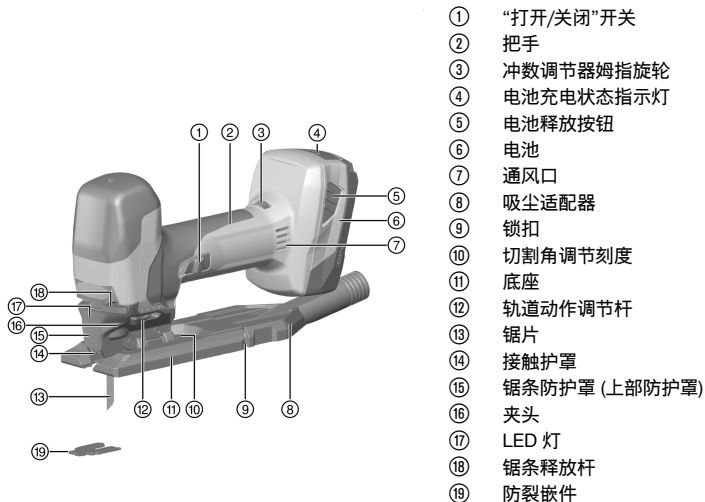


## 2.4 小心处理和使用电池

- ▶ 遵守适用于锂离子电池的运输、存放和使用的专用指南。
- ▶ 不要将电池暴露在高温、直射阳光或明火环境下。
- ▶ 请勿拆开、挤压或烧毁电池，不要让它们暴露在超过 80°C (176°F) 的高温下。
- ▶ 如果电池受到过物理冲击、从高处跌落过或表现出损坏迹象，则不得使用电池或为其充电。在这种情况下，请务必联系您的 **Hilti 维修中心**。
- ▶ 如果电池发热烫手，则可能有故障。请将电池放在醒目且无火灾风险的地方，并与易燃物品保持足够距离。让电池自行冷却。如果一小时后电池仍然发热烫手，则表示存在故障。联系 **Hilti 维修中心**。

## 3 说明

### 3.1 产品概述



### 3.2 合规使用

所述产品是一款手持充电式轨道动作机动锯。其主要用于切割塑料、木材和金属材料以及干式墙板和石膏纤维板。

本产品装备了适用于选装吸尘器的可拆卸式连接接头，选装的吸尘器可使用常用的吸尘器软管。必须使用合适的适配器以将吸尘软管连接至产品。

- ▶ 使用本产品仅限使用 **Hilti B 22** 系列锂离子电池。
- ▶ 请仅用 **Hilti C4/36** 系列电池充电器为这些电池充电。
- ▶ 本产品仅限使用配有 T 型刀柄的锯条。

### 3.3 可能的误用

- 不允许使用本产品修剪树枝或切割树干。
- 不允许使用本产品切割危险材料。
- 不允许在潮湿环境中使用本产品。



### 3.4 充电状态显示区

轻轻按下某个释放按钮 (按到能感受到轻微的阻力即止) 之后, 会显示锂电池的充电状态。

状态	含义
4 个 LED 亮起。	充电状态: 75% 至 100%
3 个 LED 亮起。	充电状态: 50% 至 75%
2 个 LED 亮起。	充电状态: 25% 至 50%
1 个 LED 亮起。	充电状态: 10% 至 25%
1 个 LED 闪烁。	充电状态: < 10%



按下控制开关 5 秒, 松开开关之后, 将不会显示电池的充电状态。若电池充电状态 LED 闪烁, 请参考“故障排除”章节中给出的信息。

### 3.5 除尘风机

除尘风机朝着锯条喷射一股气流, 以确保切割线上没有粉尘。

### 3.6 冲数

可通过转动拇指旋转轮调节冲数。位置 1 对应于 800 冲程/分钟, 位置 6 对应于 3000 冲程/分钟。

### 3.7 四种轨道动作设置

提供四种轨道动作设置, 可根据所切割的材料调节切割性能和质量。轨道动作调节杆用于将电动工具设为四种设置之一。

轨道动作设置越低, 切割边缘的精细度和清洁度越高。最优设置可通过执行实际测试来确定。

状态	含义
位置 0	无轨道动作
位置 1	低轨道动作
位置 2	中等轨道动作
位置 3	高轨道动作

### 3.8 防裂嵌件

本产品配备了防裂嵌件。

当进行切割时, 防裂嵌件能够防止木材表面发生开裂现象。

### 3.9 自动关闭

如果连续按下“打开/关闭”开关超过 15 分钟 (例如, 在运输或存储期间), 则工具将自动关闭。这可防止电池深度放电。

### 3.10 提供的部件:

轨道动作机动锯 (带锯条)、护罩、除尘模块、防裂嵌件、操作说明、内六角扳手。

您可以在您当地的 **Hilti** 中心或通过在线访问 [www.hilti.com](http://www.hilti.com) 找到批准用于您的产品的其它系统产品

## 4 技术数据

### 4.1 轨道动作机动锯

	SJT 6-A22
额定电压	21.6 V
符合 EPTA Procedure 01 要求的重量 (包括 B228.0 电池)	3.2 kg
冲程长度	28 mm
空载时的冲数 (n <sub>0</sub> )	800 rpm ... 3,000 rpm
对于木材的最大切割性能	150 mm



	SJT 6-A22
对于铝材的最大切割性能	25 mm
对于非合金钢的最大切割性能	10 mm
切割角度 (左/右)	0° ... 45°
吸尘适配器外径	27.5 mm
存放温度	-20 °C ... 70 °C
工作环境温度	-17 °C ... 60 °C
电池充电起始温度	-10 °C ... 45 °C
存放温度	-20 °C ... 40 °C
工作环境温度	-17 °C ... 60 °C

#### 4.2 噪音信息和振动值按照 EN 62841 标准

这些说明中给出的声压和振动值按照标准化测试的要求测得，可用于比较一种电动工具与另一种电动工具。它们还可用于初步评价受振动影响的程度。

提供的数据代表本电动工具的主要应用。但是，如果将电动工具用于不同的应用、使用不同的配套工具或维护不良，则数据可能不同。这可能会显著增加操作者在整个工作期间受振动影响的程度。

对受振动影响程度的准确估计还应考虑当关闭电动工具或当它运行但实际未进行工作时的情况。这可能会显著减小操作者在整个工作期间受振动影响的程度。

此外，应确定附加安全措施，以保护操作者免受噪音和/或振动影响，例如：正确维护电动工具和配套工具、保持双手温暖、制订合理的工作计划等。

#### 噪声排放值

	SJT 6-A22
声功率级 ( $L_{WA}$ )	100 dB(A)
声音功率级的不确定性 ( $K_{WA}$ )	5 dB(A)
声压级 ( $L_{pA}$ )	89 dB(A)
声压级的不确定性 ( $K_{pA}$ )	5 dB(A)

#### 总振动量

	SJT 6-A22
锯切木板时的振动排放值 ( $a_{n, s}$ )	5.0 m/s <sup>2</sup>
锯割胶合板的不确定性 (K)	1.5 m/s <sup>2</sup>
锯切金属板材时的振动排放值 ( $a_{n, m}$ )	7.9 m/s <sup>2</sup>
锯切金属板材时的不确定性 (K)	1.5 m/s <sup>2</sup>

## 5 电池

电池工作电压	21.6 V
工作环境温度	-17 °C ... 60 °C
存放温度	-20 °C ... 40 °C
电池充电起始温度	-10 °C ... 45 °C

## 6 工作现场的准备工作

### - 警告 -

人身伤害的危险！意外启动的风险！

- ▶ 插入电池前，确保已关闭产品。
- ▶ 对电动工具执行任何调节或更换配件前，先取出电池。

请遵守本文档中以及产品上的安全说明和警告。



## 6.1 给电池充电

1. 为电池充电之前，请阅读充电器的操作说明。
2. 确保电池和充电器上的触点均清洁、干燥。
3. 使用认可的充电器为电池充电。→ 页码 163

## 6.2 插入电池



**-警告-**

人身伤害的危险 短路或电池掉落会带来人身伤害的危险！

- ▶ 装入电池之前，确保电池和产品上的触点上均无异物。
- ▶ 确保电池接合正确。

1. 在首次使用电池之前，要给电池完全充电。
2. 将电池推入产品，直至听到卡止声。
3. 检查并确认电池已可靠就位。

## 6.3 拆卸电池

1. 按下电池释放按钮。
2. 将电池从工具中取出。

## 6.4 安装锯条

1. 拆下电池。
2. 将锯条推入 (锯齿面朝切割方向) 锯条夹，直至其接合。
3. 握住并拉动锯条，以检查其是否牢牢固定。

## 6.5 安装防护装置

1. 拆下电池。
2. 从前侧将防护装置推上电动工具，直到其卡入到位。



仅当底座处于正常位置 (零度位置) 时，才可安装防护装置。

## 6.6 安装除尘模块

1. 从后侧将吸尘模块沿水平方向推上底座，直到两个锁扣在侧面结合。
2. 将真空吸尘器软管连接至除尘模块。

## 7 操作

请遵守本文档以及产品上的安全说明和警告。

### 7.1 使用吸尘器



吸尘器可降低粉尘排放，通过提高切割线的可见性增强工作安全性，同时减少工作场所中与粉尘和木屑的接触。

1. 安装防护装置。→ 页码 166
2. 如果需要长期加工会产生高浓度粉尘的木材或材料，请务必使用吸尘器。

### 7.2 打开

1. 插入电池。



如果在工具打开后安装电池，安全联锁装置可确保工具不会启动，将其在工具上滑入到位即可。向后拉动“打开/关闭”开关，然后再次将其向前滑动。

2. 要打开工具，向前滑动“打开/关闭”开关。



### 7.3 切入式锯割

1. 将轨道动作调节杆设置为位置 0。
2. 使底座前缘接触到工件。
3. 牢固固定产品并按下“打开/关闭”开关。
4. 将产品紧紧压靠在工件上，通过缓慢减小切入角开始切入式锯割。
5. 一旦锯条切穿工件，将产品调整到其正常工作位置。
  - ▶ 底座随即平置于工作面。
6. 继续沿着切割线锯割。

### 7.4 关闭

- ▶ 要关闭工具，向后滑动“打开/关闭”开关。

## 8 拆除

### 8.1 拆下吸尘适配器 5

1. 向内按下两个固定锁扣。
2. 将吸尘适配器向后拉离底座。
3. 将真空吸尘器软管拉离吸尘适配器。

### 8.2 拆下防护装置 7

1. 拆下电池。
2. 略微倾斜防护装置，并将其向前拉离。

### 8.3 弹出锯条 3

#### -警告-

人身伤害的危险。不受控制的锯条弹出操作会导致受伤。

- ▶ 当弹出锯条时，以不会伤及人或动物的方式固定产品。

1. 拆下电池。
2. 将锯条释放杆向侧面推到底。
  - ▶ 将释放并弹出锯条。

## 9 维护和保养

#### -警告-

插入电池时存在人身伤害危险！

- ▶ 执行维护和保养任务之前，请务必先取出电池。

### 工具的保养

- 请小心去除顽固的污垢。
- 如果有污垢，请用干燥的软毛刷小心地清洁通风孔。
- 请仅使用微湿的抹布清洁外壳。不要使用含硅清洁剂，否则可能腐蚀塑料件。
- 请使用洁净干燥的抹布来清洁产品的接头。

### 锂离子电池的保养

- 切勿使用通风槽堵塞的电池。用干燥的软毛刷小心地清洁通风槽。
- 避免不必要地将电池暴露在粉尘或污垢中。切勿将电池暴露在高湿度的环境中（例如将其浸在水中或放在雨中）。  
如果电池浸湿，请如处理损坏的电池那样对其进行处理。将其隔离在不可燃的容器中，然后联系 Hilti 维修中心。
- 确保电池远离油和油脂。切勿让不必要的粉尘或脏污积聚在电池上。用干燥的软毛刷或干燥柔软的布清洁电池。不要使用含硅清洁剂，否则可能腐蚀塑料件。  
请勿触摸电池触点或从触点上去除出厂涂的油脂。
- 请仅使用微湿的抹布清洁外壳。不要使用含硅清洁剂，否则可能腐蚀塑料件。



## 维护

- 定期检查所有可见部件和控制器是否出现损坏迹象，确保其全部正常工作。
- 如果发现产品有损坏和/或有功能故障，请不要使用。立即将本产品交给 Hilti 维修中心修复。
- 清洁和维护之后，安装所有护板或保护装置并检查其功能是否正常。



为确保安全和可靠的操作，仅使用 Hilti 原装备件和耗材。经 Hilti 许可可与产品搭配使用的备件、耗材和附件可到您当地的 Hilti Store 购买或访问：[www.hilti.group](http://www.hilti.group)

### 9.1 清洁吸尘适配器

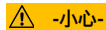
1. 拆下电池。
2. 拆下吸尘适配器。→ 页码 167
3. 清洁吸尘适配器。
4. 检查并确认锁扣完好无损。
5. 安装除尘模块。→ 页码 166

### 9.2 清洁锯条

1. 定期清洁用过的锯条中的树脂沉积物。
2. 将锯条浸没在煤油（石蜡油）或市售树脂清洁剂中达 24 小时。

## 10 电池型工具和电池的运输及存储

### 运输



#### 运输途中的意外启动！

- ▶ 运输产品前务必将电池取出！
- ▶ 取下电池。
- ▶ 切勿松散、未加保护地运输电池。在运输过程中，应保护电池免受过度冲击或振动影响，并将其与任何导电材料或其它电池分开（因为它们可能会接触到电池端子并导致短路）。**请遵守当地的电池运输规定。**
- ▶ 请勿以邮寄方式运送电池。有关如何运送完好电池的说明，请咨询您的发货商。
- ▶ 每次使用前以及长时间运输前后都要检查产品和电池是否损坏。

### 存放



#### 故障或泄漏的电池会导致意外损坏！

- ▶ 仅可在未插入电池的情况下存放产品！
- ▶ 请将产品和电池存放至凉爽干燥的地方。请遵守技术数据中规定的温度极限值。
- ▶ 请勿将电池存放在充电器中。充电过程结束后请始终将电池从充电器中取出。
- ▶ 切勿将电池存放在阳光下、热源上或玻璃后。
- ▶ 请将本产品和电池存放在儿童或非授权人员无法接近的位置。
- ▶ 每次使用前以及长时间存放前后都要检查产品和电池是否损坏。

## 11 故障排除

如果您碰到的问题未在此表中列出或您无法自己实施补救措施，请联系 Hilti 维修中心。

故障	可能原因	解决方案
锯条掉出。	锯条没有正确接合。	<ul style="list-style-type: none"> <li>▶ 重复插入步骤。</li> <li>▶ 确保锯条夹完全打开且迎着弹簧阻力将锯条推到底。</li> </ul>
	夹持系统被异物堵塞。	<ul style="list-style-type: none"> <li>▶ 清洁锯条夹。</li> </ul>
锯条无法插入。	夹持系统被异物堵塞。	<ul style="list-style-type: none"> <li>▶ 清洁锯条夹。</li> </ul>
轨道动作无法调节。	轨道动作调节杆沟槽中有异物。	<ul style="list-style-type: none"> <li>▶ 清洁轨道动作调节杆沟槽。</li> </ul>
轨道动作不起作用。	轨道动作机构被异物堵塞。	<ul style="list-style-type: none"> <li>▶ 检查轨道动作叉区域内是否有异物，并加以清洁。</li> </ul>
	轨道动作调节杆处于位置“0”。	<ul style="list-style-type: none"> <li>▶ 将其调节到所需设置。</li> </ul>



故障	可能原因	解决方案
电池比平常更快耗尽。	非常低的环境温度。	▶ 允许电池缓慢加热到室温。
电池未接合 (没有发出咔哒声)。	电池上的固定凸耳脏污。	▶ 清洁固定凸耳, 然后重新安装电池。
1 个 LED 闪烁。 设备不工作。	电池电量低。	▶ 更换电池, 并对已放电电池充电。
	电池过热或过冷。	▶ 使电池缓慢冷却或变暖至室温。
全部 4 个 LED 均闪烁。 设备不工作。	工具已过载。	▶ 释放打开/关闭开关, 然后再次将其按下。然后使电动工具空载运行约 30 秒。
电动工具或电池过热。	电气故障。	▶ 立刻关闭电动工具, 拆下电池, 进行观察, 使其冷却并联系 Hilti 服务部门。

## 12 废弃处置



**警告**

废弃处理不当会有人身伤害的危险！漏出的气体或液体会带来健康危害。

- ▶ 不得通过邮寄方式发送任何电池。
- ▶ 用非导电材料 (比如绝缘带) 包住端子, 以防止短路。
- ▶ 在儿童接触不到的地方处置电池。
- ▶ 请将电池送交 **Hilti Store** 处置, 或咨询当地的废弃处理机构以获取处置说明。

制造 Hilti 产品所用的大部分材料都可回收利用。在可以回收之前, 必须正确分离材料。Hilti 在很多国家都提供旧工具回收服务。请咨询 **Hilti** 客户服务部门或您的销售顾问。



- ▶ 不要将电动工具、电子设备和电池扔进家庭垃圾中！

## 13 RoHS (有害物质限制)

单击链接, 跳转至有害物质表: [qr.hilti.com/r5212958](http://qr.hilti.com/r5212958)

文档末尾以二维码形式提供指向 RoHS 表的链接。

## 14 制造商保修

- ▶ 如对保修条件有任何疑问, 请联系您当地的 **Hilti** 代表。









RoHS qr.hilti.com/r5212958

## EC Declaration of Conformity | UK Declaration of Conformity



**Manufacturer:**  
**Hilti Corporation**  
Feldkircherstraße 100  
9494 Schaan | Liechtenstein

**UK Importer:**  
**Hilti (Gt. Britain) Limited**  
No. 1 Circle Square, 3 Symphony Park  
Manchester, England, M1 7FS

**SJT 6-22 (01)**

Serial Numbers: 1-9999999999

2006/42/EC | Supply of Machinery (Safety)  
Regulations 2008

EN 62841-1:2015

EN 62841-2-11:2016 + A1:2020

2014/30/EU | Electromagnetic Compatibility  
Regulations 2016

EN 55014-1:2021

EN 55014-2:2021

2011/65/EU | The Restriction of the Use of  
Certain Hazardous Substances in Electrical and  
Electronic Equipment Regulations 2012

Schaan, 01.04.2022

**Dr. Tahar Zrilli**  
Head of Quality and Process Management  
Business Area Electric Tools & Accessories

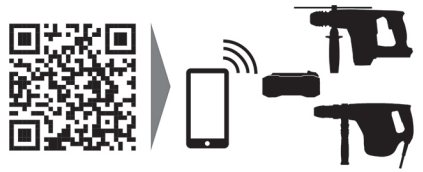
**Edward-Louis Przybyłowicz**  
Head of BU Power Tool & Accessories  
Business Area Electric Tools & Accessories







Hilti Corporation  
LI-9494 Schaan  
Tel.:+423 234 21 11  
Fax:+423 234 29 65  
[www.hilti.group](http://www.hilti.group)



2150256