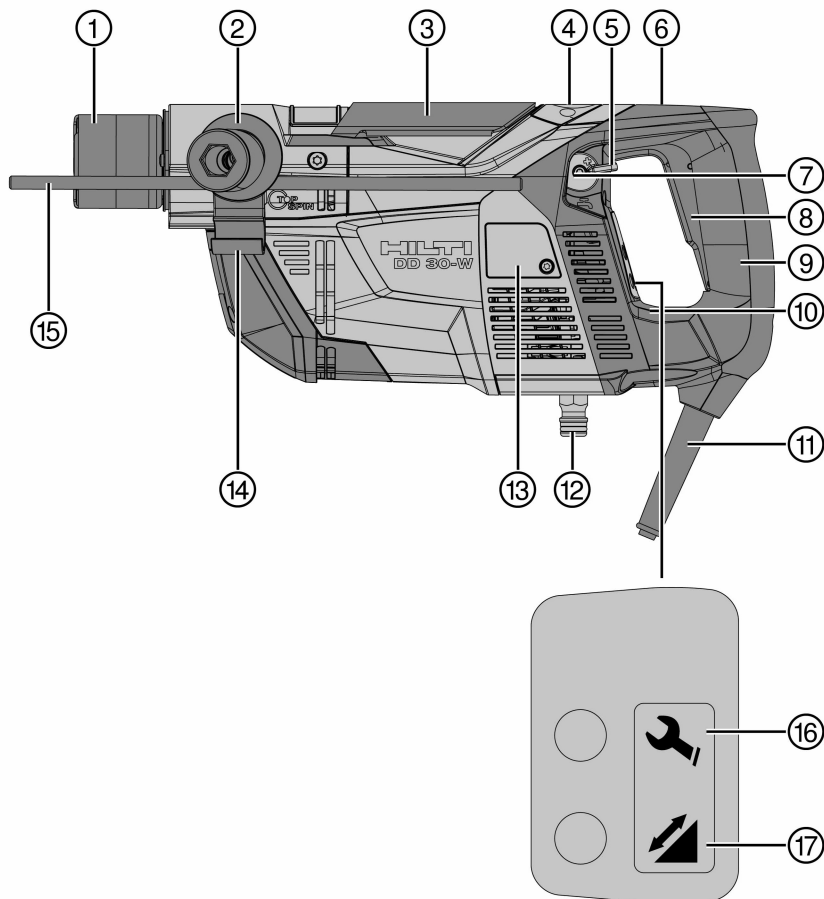
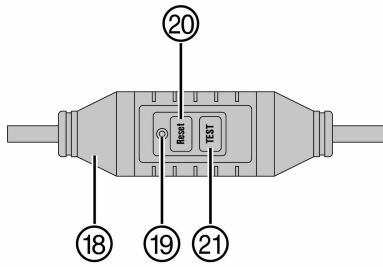




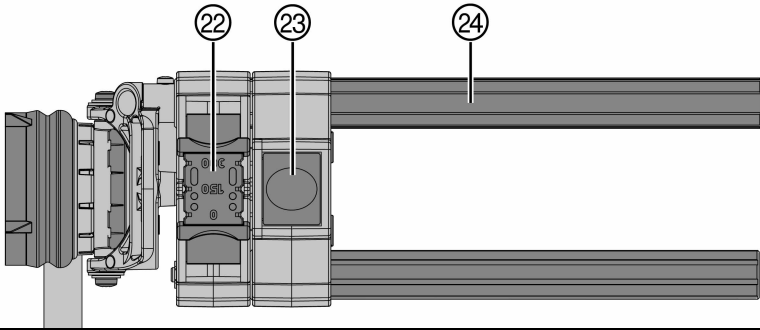
DD 30-W

English	1
Français	22
Español	44
Português	67

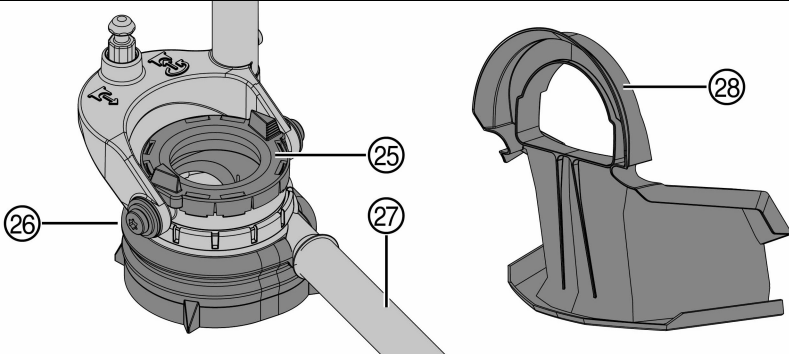




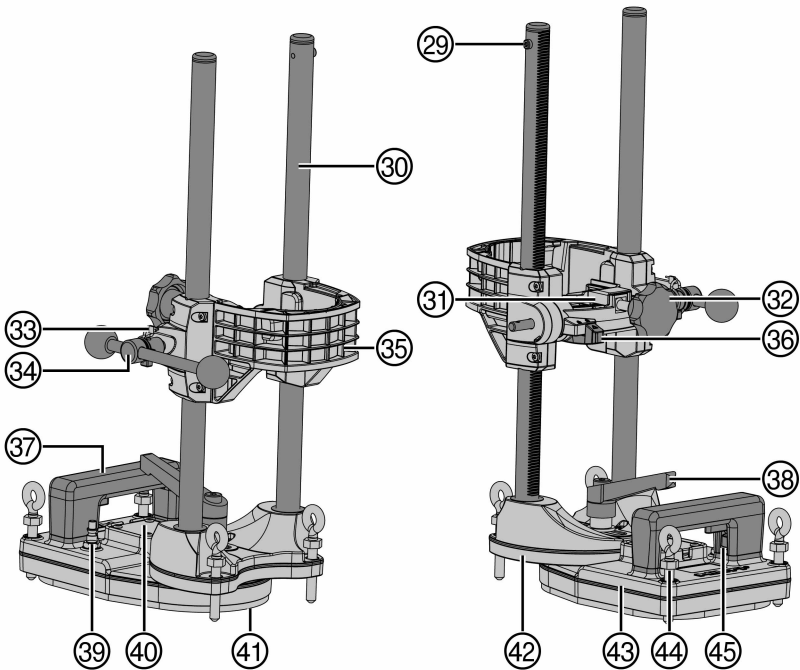
3



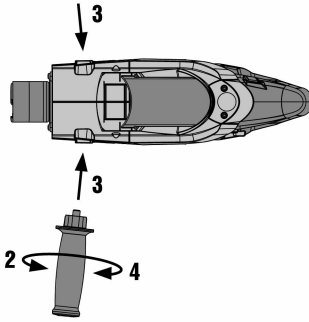
4



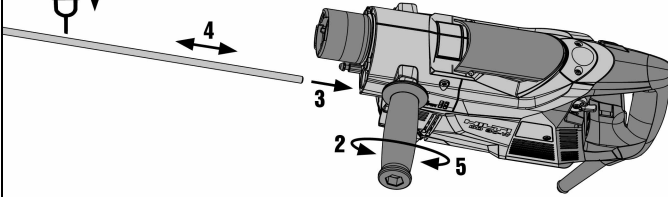
5



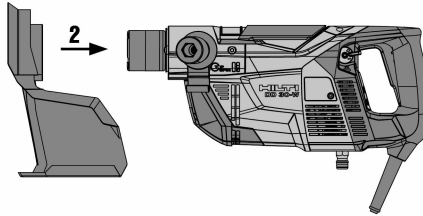
6



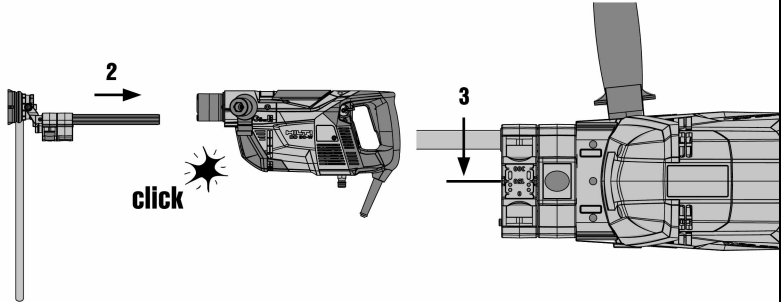
7

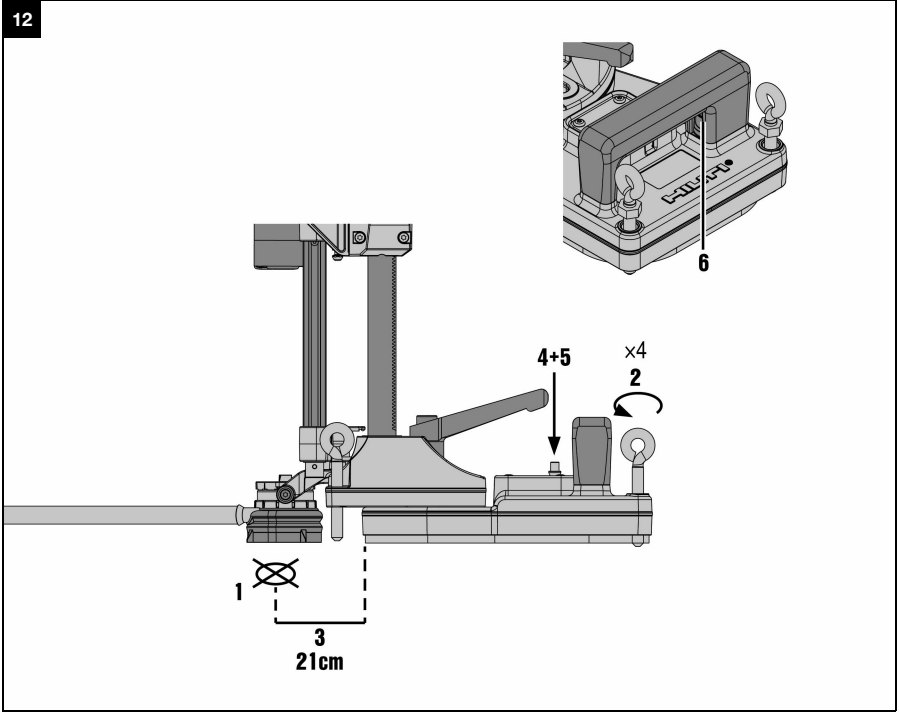
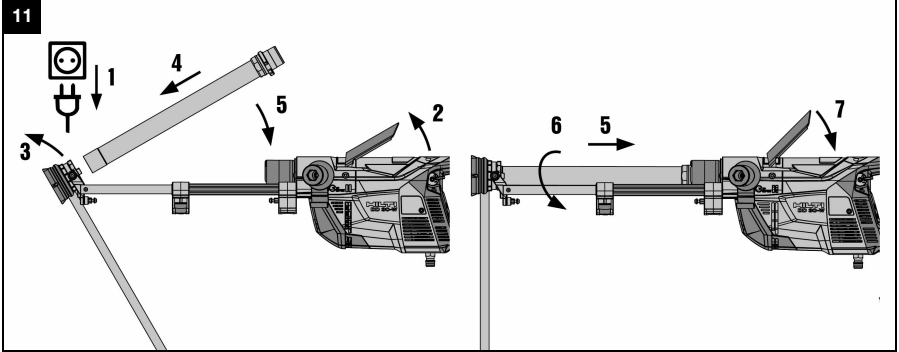
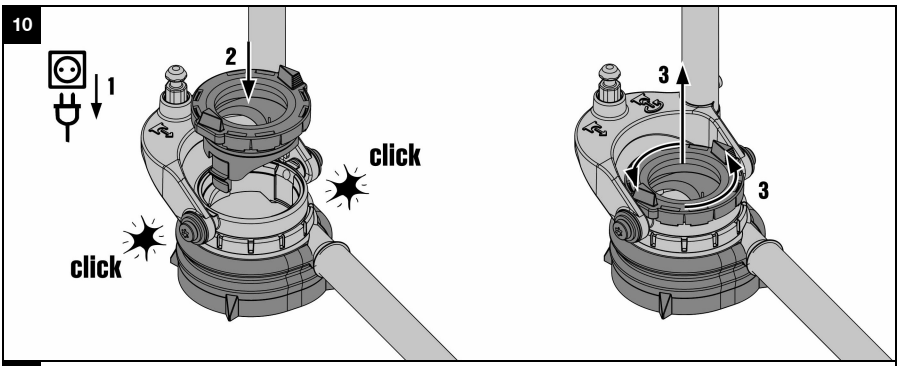


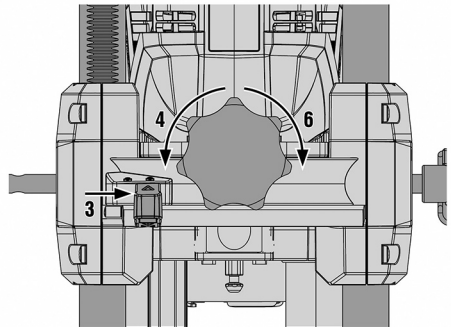
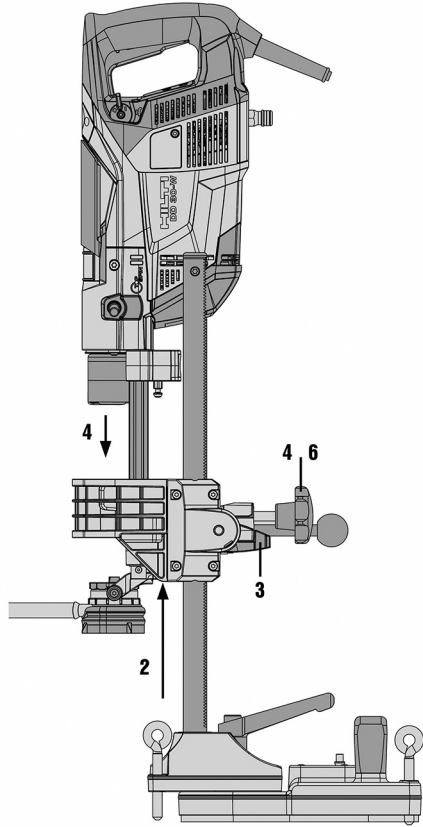
8



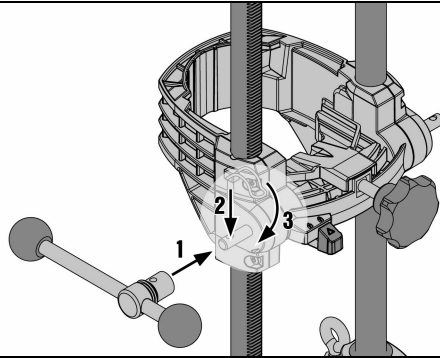
9



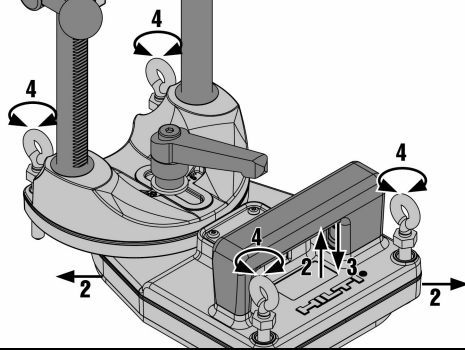




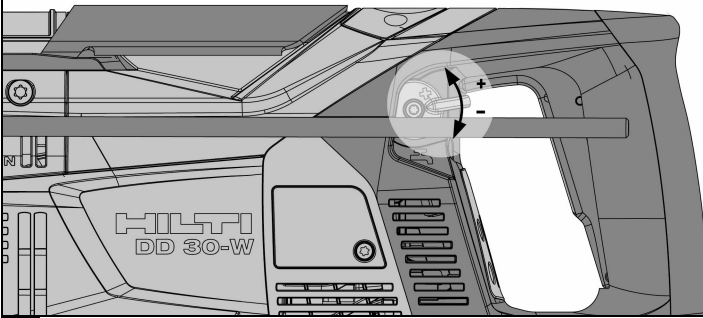
14



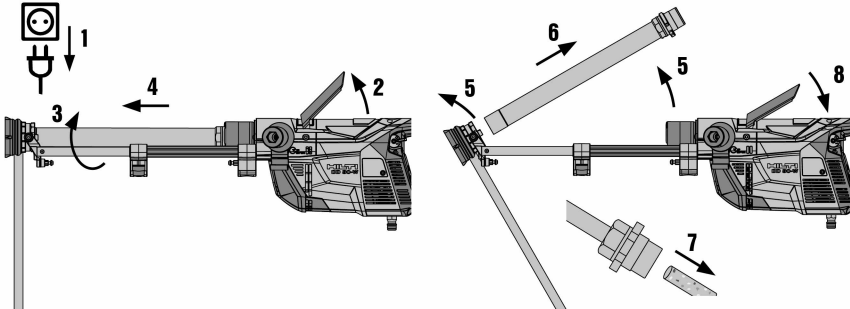
15



16



17





# DD 30-W

en	Original operating instructions . . . . .	1
fr	Mode d'emploi original . . . . .	22
es	Manual de instrucciones original . . . . .	44
pt	Manual de instruções original . . . . .	67



# Original operating instructions

## 1 Information about the documentation

### 1.1 About this documentation

- Read this documentation before initial operation or use. This is a prerequisite for safe, trouble-free handling and use of the product.
- Observe the safety instructions and warnings in this documentation and on the product.
- Always keep the operating instructions with the product and make sure that the operating instructions are with the product when it is given to other persons.

### 1.2 Explanation of symbols used

#### 1.2.1 Warnings

Warnings alert persons to hazards that occur when handling or using the product. The following signal words are used:

#### DANGER

##### DANGER !

- ▶ Draws attention to imminent danger that will lead to serious personal injury or fatality.

#### WARNING

##### WARNING !

- ▶ Draws attention to a potential threat of danger that can lead to serious injury or fatality.

#### CAUTION

##### CAUTION !

- ▶ Draws attention to a potentially dangerous situation that could lead to personal injury or damage to the equipment or other property.

#### 1.2.2 Symbols in the documentation

The following symbols are used in this document:

	Read the operating instructions before use.
	Instructions for use and other useful information
	Dealing with recyclable materials
	Do not dispose of electric equipment and batteries as household waste

#### 1.2.3 Symbols in the illustrations

The following symbols are used in illustrations:

	These numbers refer to the corresponding illustrations found at the beginning of these operating instructions
	The numbering reflects the sequence of operations shown in the illustrations and may deviate from the steps described in the text
	Item reference numbers are used in the <b>overview illustrations</b> and refer to the numbers used in the <b>product overview section</b>
	This symbol is intended to draw special attention to certain points when handling the product.



### 1.3 Product-dependent symbols

#### 1.3.1 Symbols on the product

The following symbols are used on the product:

	Warning: hazardous electrical voltage
	Warning: hot surface
/min	Revolutions per minute
$n_0$	Rated speed under no load
	Wear eye protection
	Wear a hard hat
	Wear ear protection
	Wear protective gloves
	Wear safety shoes.
	Lock symbol
	Service indicator
	Drilling performance indicator
	Wireless data transfer

### 1.4 Product information

products are designed for professional users and only trained, authorized personnel are permitted to operate, service and maintain the products. This personnel must be specifically informed about the possible hazards. The product and its ancillary equipment can present hazards if used incorrectly by untrained personnel or if used not in accordance with the intended use.

The type designation and serial number are printed on the rating plate.

- ▶ Write down the serial number in the table below. You will be required to state the product details when contacting Hilti Service or your local Hilti organization to inquire about the product.

#### Product information

Type:	DD 30-W
Generation:	01
Serial no.:	

### 1.5 Declaration of conformity

We declare, on our sole responsibility, that the product described here complies with the applicable directives and standards. A copy of the declaration issued by the certification department can be found at the end of this documentation.

The technical documentation is filed here:

**Hilti** Entwicklungsgesellschaft mbH | Tool Certification | Hiltistrasse 6 | 86916 Kaufering, Germany



## 2 Safety

### 2.1 General power tool safety warnings

**⚠ WARNING** Read all safety warnings, instructions, illustrations and specifications provided with this power tool. Failure to follow all instructions listed below may result in electric shock, fire and/or serious injury. **Save all warnings and instructions for future reference.**

The term "power tool" in the warnings refers to your mains-operated (corded) power tool or battery-operated (cordless) power tool.

#### Work area safety

- ▶ **Keep work area clean and well lit.** Cluttered or dark areas invite accidents.
- ▶ **Do not operate power tools in explosive atmospheres, such as in the presence of flammable liquids, gases or dust.** Power tools create sparks which may ignite the dust or fumes.
- ▶ **Keep children and bystanders away while operating a power tool.** Distractions can cause you to lose control.

#### Electrical safety

- ▶ **Power tool plugs must match the outlet. Never modify the plug in any way. Do not use any adapter plugs with earthed (grounded) power tools.** Unmodified plugs and matching outlets will reduce risk of electric shock.
- ▶ **Avoid body contact with earthed or grounded surfaces, such as pipes, radiators, ranges and refrigerators.** There is an increased risk of electric shock if your body is earthed or grounded.
- ▶ **Do not expose power tools to rain or wet conditions.** Water entering a power tool will increase the risk of electric shock.
- ▶ **Do not abuse the cord. Never use the cord for carrying, pulling or unplugging the power tool. Keep cord away from heat, oil, sharp edges or moving parts.** Damaged or entangled cords increase the risk of electric shock.
- ▶ **When operating a power tool outdoors, use an extension cord suitable for outdoor use.** Use of a cord suitable for outdoor use reduces the risk of electric shock.
- ▶ **If operating a power tool in a damp location is unavoidable, use a residual current device (RCD) protected supply.** Use of an RCD reduces the risk of electric shock.

#### Personal safety

- ▶ **Stay alert, watch what you are doing and use common sense when operating a power tool. Do not use a power tool while you are tired or under the influence of drugs, alcohol or medication.** A moment of inattention while operating power tools may result in serious personal injury.
- ▶ **Use personal protective equipment. Always wear eye protection.** Protective equipment such as a dust mask, non-skid safety shoes, hard hat or hearing protection used for appropriate conditions will reduce personal injuries.
- ▶ **Prevent unintentional starting. Ensure the switch is in the off-position before connecting to power source and/or battery pack, picking up or carrying the tool.** Carrying power tools with your finger on the switch or energising power tools that have the switch on invites accidents.
- ▶ **Remove any adjusting key or wrench before turning the power tool on.** A wrench or a key left attached to a rotating part of the power tool may result in personal injury.
- ▶ **Do not overreach. Keep proper footing and balance at all times.** This enables better control of the power tool in unexpected situations.
- ▶ **Dress properly. Do not wear loose clothing or jewellery. Keep your hair and clothing away from moving parts.** Loose clothes, jewellery or long hair can be caught in moving parts.
- ▶ **If devices are provided for the connection of dust extraction and collection facilities, ensure these are connected and properly used.** Use of dust collection can reduce dust-related hazards.
- ▶ **Do not let familiarity gained from frequent use of tools allow you to become complacent and ignore tool safety principles.** A careless action can cause severe injury within a fraction of a second.

#### Power tool use and care

- ▶ **Do not force the power tool. Use the correct power tool for your application.** The correct power tool will do the job better and safer at the rate for which it was designed.
- ▶ **Do not use the power tool if the switch does not turn it on and off.** Any power tool that cannot be controlled with the switch is dangerous and must be repaired.
- ▶ **Disconnect the plug from the power source and/or remove the battery pack, if detachable, from the power tool before making any adjustments, changing accessories, or storing power tools.** Such preventive safety measures reduce the risk of starting the power tool accidentally.



- ▶ **Store idle power tools out of the reach of children and do not allow persons unfamiliar with the power tool or these instructions to operate the power tool.** Power tools are dangerous in the hands of untrained users.
- ▶ **Maintain power tools and accessories. Check for misalignment or binding of moving parts, breakage of parts and any other condition that may affect the power tool's operation. If damaged, have the power tool repaired before use.** Many accidents are caused by poorly maintained power tools.
- ▶ **Keep cutting tools sharp and clean.** Properly maintained cutting tools with sharp cutting edges are less likely to bind and are easier to control.
- ▶ **Use the power tool, accessories and tool bits etc. in accordance with these instructions, taking into account the working conditions and the work to be performed.** Use of the power tool for operations different from those intended could result in a hazardous situation.
- ▶ **Keep handles and grasping surfaces dry, clean and free from oil and grease.** Slippery handles and grasping surfaces do not allow for safe handling and control of the tool in unexpected situations.

#### Service

- ▶ **Have your power tool serviced by a qualified repair person using only identical replacement parts.** This will ensure that the safety of the power tool is maintained.

## 2.2 Diamond drill safety warnings

- ▶ **When performing drilling that requires the use of water, route the water away from the operator's work area or use a liquid collection device.** Such precautionary measures keep the operator's work area dry and reduce the risk of electrical shock.
- ▶ **Operate power tool by insulated grasping surfaces, when performing an operation where the cutting accessory may contact hidden wiring or its own cord.** Cutting accessory contacting a "live" wire may make exposed metal parts of the power tool "live" and could give the operator an electric shock.
- ▶ **Wear hearing protection when diamond drilling.** Exposure to noise can cause hearing loss.
- ▶ **When the bit is jammed, stop applying downward pressure and turn off the tool.** Investigate and take corrective actions to eliminate the cause of the bit jamming.
- ▶ **When restarting a diamond drill in the workpiece check that the bit rotates freely before starting.** If the bit is jammed, it may not start, may overload the tool, or may cause the diamond drill to release from the workpiece.
- ▶ **When securing the drill stand with anchors and fasteners to the workpiece, ensure that the anchoring used is capable of holding and restraining the machine during use.** If the workpiece is weak or porous, the anchor may pull out causing the drill stand to release from the workpiece.
- ▶ **When securing the drill stand with a vacuum pad to the workpiece, install the pad on a smooth, clean, non-porous surface. Do not secure to laminated surfaces such as tiles and composite coating.** If the workpiece is not smooth, flat or well affixed, the pad may pull away from the workpiece.
- ▶ **Ensure there is sufficient vacuum before and during drilling.** If the vacuum is insufficient, the pad may release from the workpiece.
- ▶ **Never perform drilling with the machine secured by the vacuum pad only, except when drilling downwards.** If the vacuum is lost, the pad will release from the workpiece.
- ▶ **When drilling through walls or ceilings, ensure to protect persons and the work area on the other side.** The bit may extend through the hole or the core may fall out on the other side.

#### Applies only to hand-guided operation:

- ▶ **When drilling overhead, always use the liquid collection device specified in the instructions. Do not allow water to flow into the tool.** Water entering the power tool will increase the risk of electric shock.

#### Applies only to drill stand operation:

- ▶ **Do not use this tool for overhead drilling with water supply.** Water entering the power tool will increase the risk of electric shock.

## 2.3 Additional safety instructions

#### Personal safety

- ▶ **During hand-held use, always hold the machine securely with both hands on the grips provided.**
- ▶ The machine and the diamond core bit are heavy. **There is a risk of crushing parts of the body. Wear a hard hat, protective gloves and safety footwear.**
- ▶ **Keep the grips dry, clean and free from oil and grease.**



- ▶ **Improve the blood circulation in your fingers by relaxing your hands and exercising your fingers during breaks between working.**
- ▶ **Avoid touching rotating parts. Switch the machine on only after bringing it into position at the workpiece.** Touching rotating parts, especially rotating accessory tools, may lead to injury.
- ▶ **Always lead the supply cord, the extension cord and, if applicable, the suction hose away from the machine to the rear when working.** This helps to avoid tripping over the cord or hose while working.
- ▶ **Do not allow drilling slurry to come into contact with the skin or eyes. Wear protective gloves and protective glasses.**
- ▶ **Children are not permitted to play with the machine and must be instructed accordingly.**
- ▶ **The machine is not intended for use by debilitated persons who have received no special training. Keep the machine out of reach of children.**
- ▶ The accessory tool may become hot during use or during sharpening. **There is a risk of burning or cutting injuries. Wear protective gloves when touching or handling the accessory tool.**
- ▶ **When the machine is mounted on the drill stand, lay it down safely on the floor or ground during breaks between use.**
- ▶ **Never tamper with or modify the machine in any way.**

#### Protection from dust

Dust from materials such as paint containing lead, some types of wood, minerals and metal can be harmful to health. Contact with or inhalation of the dust can cause allergic reactions and/or respiratory or other diseases to the operator or bystanders. Certain kinds of dust such as oakwood and beechwood dust are classified as carcinogenic, especially in conjunction with additives for wood conditioning (chromate, wood preservative).

- ▶ **Use a dust removal system that is as effective as possible. To achieve a high level of dust collection, use a suitable vacuum cleaner of the type recommended by Hilti for wood dust and/or mineral dust and which is designed for use with this machine. Ensure that the workplace is well ventilated. The use of a dust mask of filter class P2 is recommended. Follow national requirements for the materials you want to work with.**

#### Careful handling and use of electric tools and machines

- ▶ **Secure the workpiece. Use clamps or a vice to secure the workpiece.** The workpiece is thus held more securely than by hand and both hands remain free to operate the machine.
- ▶ **Ensure that the accessory tools used have a mounting system that is compatible with the drilling machine and that they are secured in the chuck correctly.**
- ▶ **Switch the machine off and unplug the supply cord in the event of an interruption in the electric supply in order to avoid inadvertent restarting when the power returns.**
- ▶ Operate the machine only when the cooling air slots are unobstructed.

#### Electrical safety

- ▶ **Before beginning the work, check the working area for concealed electrical cables, gas and water pipes, e.g. using a metal detector.** External metal parts of the machine may become live, for example, when an electric cable is damaged accidentally. This presents a serious risk of electric shock.
- ▶ **Never operate the machine without the accompanying PRCD (machines without PRCD: Never operate the machine without an isolating transformer). Test the PRCD each time before use.**
- ▶ **Check the machine's supply cord at regular intervals and have it replaced by a qualified specialist if found to be damaged. If the machine's supply cord is damaged it must be replaced with a specially-prepared and approved supply cord available from Hilti Customer Service. Check extension cords at regular intervals and replace them if found to be damaged. Do not touch the supply cord or extension cord if it is damaged while working. Disconnect the supply cord plug from the power outlet.** Damaged supply cords or extension cords present a risk of electric shock.
- ▶ **Avoid body contact with earthed or grounded surfaces such as pipes, radiators, cookers, stoves and refrigerators.** There is an increased risk of electric shock if your body is grounded.
- ▶ **Do not use a plug adapter.**

#### Workplace

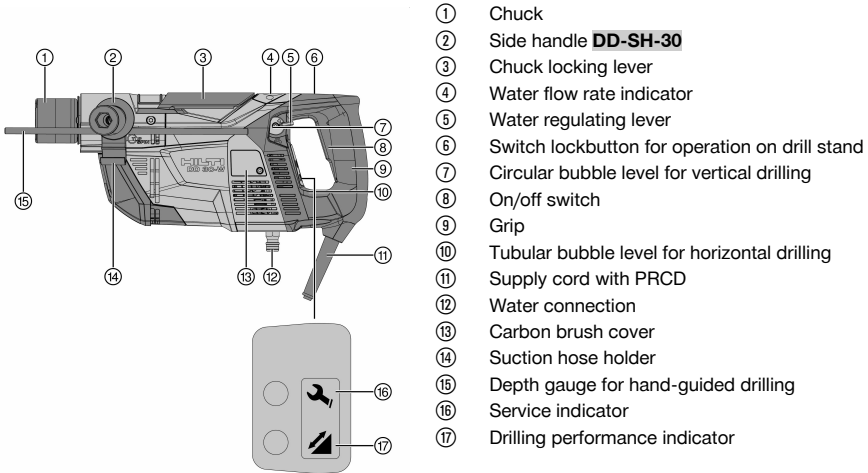
- ▶ **Ensure that the workplace is well ventilated.** Exposure to dust at a poorly ventilated workplace may result in damage to the health.
- ▶ **Do not drill into hazardous materials (e.g. asbestos).**
- ▶ **Approval must be obtained from the site engineer or architect prior to beginning drilling work.** Drilling work on buildings and other structures may influence the static equilibrium of the structure, especially when steel reinforcing bars or load-bearing components are cut through.
- ▶ It is recommended that rubber gloves and non-skid shoes are worn when working outdoors.



- Suitable protective glasses, a hard hat, ear protection, protective gloves and safety footwear must be worn while the machine is in use. Other persons in the vicinity must also wear personal protective equipment.

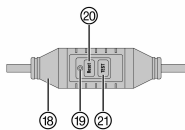
### 3 Description

#### 3.1 Overview of the product 1



- ① Chuck
- ② Side handle **DD-SH-30**
- ③ Chuck locking lever
- ④ Water flow rate indicator
- ⑤ Water regulating lever
- ⑥ Switch lockbutton for operation on drill stand
- ⑦ Circular bubble level for vertical drilling
- ⑧ On/off switch
- ⑨ Grip
- ⑩ Tubular bubble level for horizontal drilling
- ⑪ Supply cord with PRCD
- ⑫ Water connection
- ⑬ Carbon brush cover
- ⑭ Suction hose holder
- ⑮ Depth gauge for hand-guided drilling
- ⑯ Service indicator
- ⑰ Drilling performance indicator

#### 3.2 Ground fault circuit interrupter (PRCD) 2



- ⑱ PRCD in the supply cord
- ⑲ LED on the PRCD
- ⑳ **Reset** button on the PRCD
- ㉑ **TEST** button on the PRCD

#### 3.3 Water collection system 3

- ㉒ Slider for longitudinal adjustment of the water collector holder
- ㉓ Water collector holder release catch
- ㉔ Water collector holder

#### 3.4 Accessories 4

- ㉕ Centering ring
- ㉖ Water collector
- ㉗ Water collector hose
- ㉘ Spray guard

#### 3.5 DD-ST 30 drill stand accessories 5

- ㉙ End stop screw
- ㉚ Column
- ㉛ Clamping piece
- ㉜ Locking screw
- ㉝ Retaining pin
- ㉞ Hand wheel
- ㉟ Carriage
- ㊱ Carriage lock
- ㊲ Grip
- ㊳ Clamping lever
- ㊴ Vacuum hose connector
- ㊵ Pressure gauge
- ㊶ Vacuum seal
- ㊷ Adapter plate





- ④③ Vacuum base plate
- ④④ Leveling screws

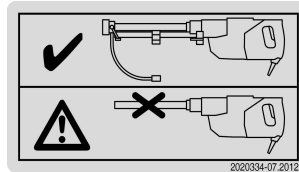
- ④⑤ Vacuum release valve

### 3.6 Intended use

The product described is an electrically powered diamond core drilling system. It is designed to be used hand-held or mounted on a drill stand, for wet drilling in concrete and other mineral materials. The drill stand can be fastened to the working surface by a suitable anchor (accessory) or by the vacuum base plate (accessory).

- ▶ Connect the machine only to an electric supply providing the voltage and frequency specified on the type identification / rating plate.
- ▶ Depending on the application and drilling direction (see following table → page 7), the diamond core drilling machine's water collection system must be connected to an all-purpose vacuum cleaner of a type recommended by Hilti and the necessary additional equipment selected accordingly.

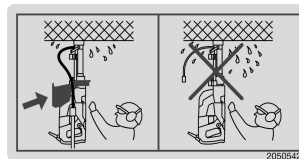
The water collection system and the correct combination of core bit and sealing ring, with the correct length setting, must be fitted and used for all drilling applications.



Product sticker

Drilling in an upwards direction is permissible only when the water collection system and additional spray guard are used.

Drilling in an upwards direction using the drill stand is not permissible as the spray guard cannot be fitted when the machine is mounted on the drill stand.



Product sticker

### 3.7 Inadmissible misuse

- This product is not suitable for working on hazardous materials.
- Drilling into materials that produce electrically conductive dust (e.g. magnesium) is not permissible.
- Dry drilling is not permissible.

### 3.8 Application-specific equipment

#### Equipment required for various applications / drilling directions

Application	Drilling direction	Equipment
Hand-held use	Horizontal and in a downwards direction	With/without vacuum cleaner, without spray guard
Hand-held use	In an upwards direction	With vacuum cleaner and spray guard
Mounted on a drill stand, fastened with the vacuum base plate	Downwards	With/without vacuum cleaner, without spray guard
Mounted on the drill stand, fastened with the vacuum base plate	Horizontal	With/without vacuum cleaner, without spray guard and with the drill stand secured additionally
Mounted on the drill stand, fastened with an anchor	Downwards and horizontal	With/without vacuum cleaner, without spray guard



### 3.9 Service indicator

LED display / operating status	Service status
Lights red / the machine runs.	The carbon brushes are badly worn. When the indicator lights for the first time the machine may continue to be used for several hours until it switches itself off automatically. Have the carbon brushes changed in good time so that the machine is always ready for use.
Lights red / the machine doesn't run.	Have the carbon brushes replaced.
Blinks red	Temporary fault, see "Troubleshooting"

### 3.10 Drilling performance indicator

LED display	Contact pressure
Orange	Too low
Green	Optimal
Red	Too high

### 3.11 Speed settings

The machine has two speeds: low speed for starting holes and high speed for normal drilling.

When the control switch is pressed only half way, only the low-speed hole-starting mode is active. The water flow rate should also be set while the machine is running at this speed. Maximum drilling speed for the selected speed setting will be reached when the control switch is pressed in all the way.

### 3.12 Items supplied

machine with side handle, chuck and operating instructions.

Other system products approved for use with this product can be found at your local **Hilti Store** or at: [www.hilti.group](http://www.hilti.group)

### 3.13 Accessory tools

Designation	Designation
Diamond core bit	DD-C
Core breaking tool	DD-CB

### 3.14 Accessories

Designation	Designation
Drill stand	DD-ST 30
Core bits	DD-C, 8 - 35 mm diameter
Accessory set for fastening the drill stand with an anchor	DD M12 S
Depth gauge for the drill stand	DD-ST 30-ES
Spray guard	DD-30-W-CV

## 4 Technical data

### 4.1 Diamond coring machine

When powered by a generator or transformer, the generator or transformer's power output must be at least twice the rated input power shown on the rating plate of the machine. The operating voltage of the transformer or generator must always be within +5% and -15% of the rated voltage of the machine.

The information given applies to a rated voltage of 120 V. The data may vary in the event of deviations from the rated voltage and for country-specific versions. Please refer to the machine's type identification plate for details of its voltage, frequency, current and input power ratings.



<b>Weight</b>	16.8 lb (7.6 kg)
<b>Core bit diameter</b>	0.3 in ... 1.4 in (8 mm ... 35 mm)
<b>Protection class</b>	I
<b>Rated speed under no load</b>	9,200 /min

## 4.2 Rated voltage

### Rated voltage

<b>Rated voltage</b>	<b>120 V</b>
Mains frequency [Hz]	60
Rated current [A]	15,0

## 5 Preparations at the workplace

### 5.1 Before you begin

- ▶ The machine should remain disconnected from the electric supply while it is being set up or prepared for use.

#### **WARNING**

**Drilling presents a possible risk of structural damage to the building.** Drilling work on buildings and other structures may influence the statics of the structure, especially when steel reinforcing bars or load-bearing components are cut through.

- ▶ Approval must be obtained from the site engineer or architect prior to beginning drilling work.

#### **WARNING**

**Danger of electric shock!** Drilling inadvertently into electric cables or gas and water pipes presents a risk of accident. Exterior metal parts of the drilling system may become live if an electric cable is contacted while drilling.

- ▶ Use a metal detector, for example, to check for electric cables or gas and water pipes in the working area before beginning drilling.
- ▶ Obtain permission from the structural engineer responsible before drilling through reinforcing bars.
- ▶ Check that the electric supply voltage complies with the details given on the type identification plate.
- ▶ Disconnect the supply cord plug from the power outlet before relocating the machine, e.g. before moving the machine to the next drilling position.
- ▶ Always position the supply cord and hoses so that they do not come into contact with rotating parts of the equipment.
- ▶ Do not lift the diamond core drilling machine and/or the drill stand by crane.
- ▶ Before using a vacuum pump, make yourself familiar with the content of the operating instructions and observe the directions given.
- ▶ Make sure that the pointer on the pressure gauge remains within the green area while drilling is taking place.
- ▶ Check that the rim (cutting edge) of the core bit has a height of at least 2 mm. **If this is not the case, replace the core bit as it may otherwise get stuck in the hole drilled.**
- ▶ To avoid injury, use only genuine **Hilti DD-C** core bits and **DD 30-W** accessories.

### 5.2 Preparing the drilling machine for hand-held use

#### 5.2.1 Positioning the side handle

1. Unplug the supply cord from the power outlet.
2. Release the side handle clamping band by turning the handle counterclockwise.
3. Secure the side handle in the desired position.



A depth gauge can be fitted together with the side handle (→ page 10).

4. Fasten the side handle securely by turning the grip until tight.



### 5.2.2 Fitting the depth gauge

1. Unplug the supply cord from the power outlet.
2. Release the side handle clamping band by turning the handle counterclockwise.
3. Slide the depth gauge from the front into the opening provided in the side handle.
4. Set the depth gauge to the desired depth.
5. Secure the depth gauge by turning the grip of the side handle until tight.

### 5.2.3 Fitting the spray guard



#### WARNING

**Risk of electric shock!** If the machine is used for hand-guided drilling in an upwards direction without the necessary safety precautions, water may enter the machine and present a risk of electric shock.

- ▶ **When carrying out hand-guided drilling in an upwards direction, always use a water collection system with a wet/dry industrial vacuum cleaner and the spray guard.**
- 

1. Disconnect the supply cord plug from the power outlet.
2. Slide the spray guard over the chuck from the front and push it onto the gear housing on the drilling machine.

### 5.2.4 Fitting the water collector holder



Drilling is permissible only under the following conditions:

The supplied water collector holder is fitted and adjusted to match the length of the core bit used.

A core bit sealing ring that matches the diameter of the core bit must be fitted in the water collector holder.

---

1. Unplug the supply cord from the power outlet.
2. Push the water collector holder into the opening provided at the front of the machine until it engages with a click.
3. Use the slider to set the correct length range for the core bit used. Set the slider to the **150** position for core bits with a length of up to 150 mm and set it to **300** for core bits with a length of 300 mm or 600 mm.

### 5.2.5 Fitting or replacing the sealing ring



#### WARNING

**Danger of electric shock!** Use of the wrong sealing ring when drilling overhead may cause water to find its way into the interior of the diamond core drilling machine.

- ▶ **Always use a sealing ring of the same diameter as the core bit.**
- 

1. Disconnect the supply cord plug from the power outlet.
2. Fit the sealing ring into the groove in the water collector and push the sealing ring down until it is heard to engage.
3. To remove the sealing ring, turn it counterclockwise and pull it up out of the water collector.

### 5.2.6 Fitting the core bit



#### WARNING

**Risk of injury caused by flying fragments or debris.** Use of cracked, broken or badly worn core bits may result in flying fragments (parts of the workpiece or broken core bit) presenting a risk of injury to the operator or bystanders, even outside the working area.

- ▶ Check the core bit for cracks, breakage, heavy wear or other damage each time before use and replace the core bit if necessary.
- 



Diamond core bits must be replaced when the cutting performance and/or rate of drilling progress drops significantly. This generally is the case when the segments reach a height of less than 2 mm.

---



Spraying the chuck with **Hilti** lubricant spray at regular intervals makes it easier to fit the core bit.

---



1. Unplug the supply cord from the power outlet.
2. Open the chuck by pulling the chuck locking lever upwards as far as it will go.



Check that the core bit connection end and the chuck are clean and undamaged.

3. Tip the water collector about its mounting axis as far as it will go.
4. Guide the cutting edge of the core bit into the sealing ring in the water collector from above.
5. Align the connection end of the core bit with the corresponding openings and insert it into the chuck.
6. Turn the core bit as far as it will go while applying light pressure.
7. Secure the core bit by closing the chuck locking lever.

### 5.2.7 Connecting the vacuum removal system

1. Make sure that the suction hose from the all-purpose vacuum cleaner is securely connected to the core drilling machine's water collection hose. Use a hose adapter for this purpose.
2. Connect the all-purpose vacuum cleaner suction hose to the vacuum cleaner.
3. When drilling overhead, use the retaining clip on the side handle to secure the water collection hose.

## 5.3 Preparing to drill using the drill stand



### WARNING

**Risk of injury!** The drill stand can rotate or topple if not securely fastened.

- ▶ Before using the diamond core drilling machine, secure the drill stand to the work surface with anchors or with a vacuum base plate.
- ▶ Use only anchors suitable for the base material and comply with the anchor manufacturer's instructions.
- ▶ Use a vacuum base plate only when the work surface is suitable for securing the drill stand by the vacuum method.

The drill stand and the machine can be fastened either using the vacuum base plate or the **DD M12 S** accessory set, i.e. using an **HKD-D M12x50** anchor, the **DD-LR-CLS** clamping spindle and the **DD-LR-CLN** nut.



### WARNING

**Water running out presents a risk of electric shock!** The spray guard cannot be used when the machine is mounted on the drill stand. The machine is therefore not protected against entry of water when mounted on the drill stand.

- ▶ **Never drill in an upwards direction with the machine mounted on the drill stand!**



The side handle and spray guard (if fitted) must be removed before using the machine on the drill stand.

### 5.3.1 Fitting the water collector holder



Drilling is permissible only under the following conditions:

The supplied water collector holder is fitted and adjusted to match the length of the core bit used. A core bit sealing ring that matches the diameter of the core bit must be fitted in the water collector holder.

1. Unplug the supply cord from the power outlet.
2. Push the water collector holder into the opening provided at the front of the machine until it engages with a click.
3. Use the slider to set the correct length range for the core bit used. Set the slider to the **150** position for core bits with a length of up to 150 mm and set it to **300** for core bits with a length of 300 mm or 600 mm.

### 5.3.2 Fastening the machine and drill stand with the vacuum base plate



### WARNING

**Risk of injury** Hazard presented by a falling diamond core drilling machine.

- ▶ When drilling horizontally, the drill stand must be secured additionally by a chain.



### 5.3.2.1 Positioning the vacuum base plate

1. Mark the center of the hole to be drilled with a cross. The lines of the cross should be longer than the diameter of the water collector.



The water collector has four protruding marks that can be aligned with the cross.

2. Turn the 4 leveling screws on the vacuum base plate until they project approx. 5 mm below the underside of the vacuum base plate.
3. Position the vacuum base plate at a distance of 21 cm from the hole center.
4. Connect the vacuum connector on the vacuum base plate to the vacuum pump.
5. Switch on the vacuum pump.
6. Keep the vacuum release valve pressed in while correcting the position of the vacuum base plate.

### 5.3.2.2 Fastening the drill stand on the vacuum base plate

1. Switch on the vacuum pump.
2. Use the clamping spindle to fasten the drill stand on the vacuum base plate.
3. Level the drill stand by turning the two leveling screws.

### 5.3.3 Mounting the machine on the drill stand



If vacuum fastening is used, check to ensure that the drill stand is securely fastened to the working surface before mounting the machine on the drill stand.

1. Unplug the supply cord from the power outlet.
2. Lock the carriage on the drill stand at the maximum distance from the working surface.



The carriage must be locked in the uppermost position. The machine with the water collector holder can then be mounted on the drill stand without the water collector coming into contact with the working surface.

3. Open the clamping piece by turning the locking bolt.
4. Fit the drilling machine onto the carriage.
5. Close the clamping piece by turning the locking bolt.
6. Make sure that the drilling machine is correctly fastened to the drill stand.

### 5.3.4 Fastening the machine and drill stand with an anchor



Fastening the drill stand with an anchor requires use of the **DD M12 S** accessory set which, among other items, includes the **DD-LR-CLS** anchor spindle and the **DD-LR-CLN** nut.

1. Mark the center of the hole to be drilled with a cross. The lines of the cross should be longer than the diameter of the water collector.



The water collector has four protruding marks that can be aligned with the cross.

2. Set the **Hilti HKD-D M12x50** anchor for fastening the drill stand adapter plate at a distance of 12 cm from the hole center mark.



When setting the anchor, observe the instructions for use enclosed with the anchor.

3. Mount the machine on the drill stand. → page 12
4. Turn back the two leveling screws until they no longer project.
5. Place the drill stand, with the machine mounted on it, over the clamping spindle and then secure the drill stand temporarily by screwing on the clamping nut (**DD M12 S** accessory set).



Tighten the spindle securely only after the core bit has been positioned exactly over the center point of the hole to be drilled (→ page 14).

6. Level the drill stand by turning the two leveling screws.



### 5.3.5 Fitting the hand wheel **14**



The hand wheel can be fitted on either side of the drill stand.

1. Fit the hand wheel onto the axle.
2. Flip the ring on the retaining pin into the open position and insert the pin in the hole.
3. Close the ring on the retaining pin.

### 5.3.6 Fit or exchange the sealing ring. **10**

1. Disconnect the supply cord plug from the power outlet.
2. Fit the sealing ring into the groove in the water collector and push the sealing ring down until it is heard to engage.
3. To remove the sealing ring, turn it counterclockwise and pull it up out of the water collector.

### 5.3.7 Fitting the core bit **11**



#### WARNING

**Risk of injury caused by flying fragments or debris.** Use of cracked, broken or badly worn core bits may result in flying fragments (parts of the workpiece or broken core bit) presenting a risk of injury to the operator or bystanders, even outside the working area.

- ▶ Check the core bit for cracks, breakage, heavy wear or other damage each time before use and replace the core bit if necessary.



Diamond core bits must be replaced when the cutting performance and/or rate of drilling progress drops significantly. This generally is the case when the segments reach a height of less than 2 mm.



Spraying the chuck with **Hilti** lubricant spray at regular intervals makes it easier to fit the core bit.

1. Unplug the supply cord from the power outlet.
2. Open the chuck by pulling the chuck locking lever upwards as far as it will go.



Check that the core bit connection end and the chuck are clean and undamaged.

3. Tip the water collector about its mounting axis as far as it will go.
4. Guide the cutting edge of the core bit into the sealing ring in the water collector from above.
5. Align the connection end of the core bit with the corresponding openings and insert it into the chuck.
6. Turn the core bit as far as it will go while applying light pressure.
7. Secure the core bit by closing the chuck locking lever.

### 5.3.8 Connecting the vacuum removal system

1. Make sure that the suction hose from the all-purpose vacuum cleaner is securely connected to the core drilling machine's water collection hose. Use a hose adapter for this purpose.
2. Connect the all-purpose vacuum cleaner suction hose to the vacuum cleaner.
3. When drilling overhead, use the retaining clip on the side handle to secure the water collection hose.

## 5.4 Aligning the drilling system with the hole center

### 5.4.1 Positioning the drilling system with the vacuum base plate **15**

1. Check to ensure that the drilling system holds securely (the pointer on the pressure gauge must be in the green area).
2. To position the drilling system exactly at the hole center, press the vacuum release valve and then adjust of the position of the drill stand.
3. Once the drilling system has been positioned correctly, release the vacuum release valve and press the drilling system against the working surface.
4. Level the vacuum base plate by turning the 4 leveling screws.



### 5.4.2 Positioning the drilling system when fastened with an anchor

1. In order to position the drilling system exactly at the hole center, carefully slacken the clamping spindle until the drill stand is free to move and then correct its position.
2. Level the drill stand adapter plate by turning the 2 leveling screws.
3. Tighten the clamping spindle securely when the drilling system is correctly positioned.

## 5.5 Connecting the electric supply cord and water supply hose

### WARNING

**Water running out presents a risk of electric shock!** A damaged or incorrectly fitted O-ring at the water connection on the machine, excessively high water pressure, faulty hose connections and leaks in the water supply system may result in leakage of water and a risk of electric shock.

- ▶ **Regularly check the machine, water connections, hoses and hose connectors for damage and make sure that the maximum permissible water supply pressure of 6 bar is not exceeded.**



To avoid damage to the components, use only fresh water containing no dirt particles. The maximum permissible water temperature is 40°C (104°F).



With the version for Great Britain, an isolating transformer is used instead of the PRCD.

1. Connect the water supply hose to the water connection on the drilling machine with the appropriate connector.
2. Check that the water supply hose is securely attached to the water connection on the drilling machine.
3. Open the water supply control valve and check that there is no leakage at the water connection on the drilling machine.
4. Plug the machine's supply cord into an earthed/grounded power outlet.
5. Press the **I** or **Reset** button on the ground fault circuit interrupter (PRCD).
  - ▶ The LED on the ground fault circuit interrupter (PRCD) must light.
6. Press the **0** or **TEST** button on the ground fault circuit interrupter (PRCD).



The LED on the ground fault circuit interrupter (PRCD) must go out.

### WARNING

**Risk of injury due to electric shock!** Do not continue operating the diamond core drilling machine if the indicator on the ground fault circuit interrupter does not go out when the **0** or the **TEST** button is pressed.

- ▶ Have your diamond core drilling machine repaired by **Hilti Service**.
7. After the test, switch the ground fault circuit interrupter (PRCD) back on by pressing the **0** or **TEST** button.

## 6 Drilling

### WARNING

**Risk of accident!** Accidents with serious consequences may result if rotating parts come into contact with water hoses or electric cables.

- ▶ Always make sure that rotating parts of the equipment do not come into contact with water hoses or electric cables.

### WARNING

**Risk of injury when the accessory tool stalls.** In accordance with the applications for which it is designed, the machine produces a high torque. If the accessory tool suddenly stalls, the machine may suddenly move with great force.

- ▶ Always use the side handle and hold the machine with both hands. Always be prepared for sudden stalling of the accessory tool.





**⚠ WARNING**

**Risk of accident!** When drilling penetrations through walls or floors/ceilings, the core or fragments of material may drop out and fall down on the other side.

- ▶ Take the necessary safety precautions on the other side of the wall or below the floor/ceiling before drilling penetrations.

**⚠ WARNING**

**Risk of injury due to flying fragments!** Drilling may cause hazardous flying fragments. Flying fragments present a risk of injury to the body and eyes.

- ▶ Wear eye protection, protective clothing and a hard hat.

**⚠ WARNING**

**Risk of injury.** The machine and the drilling operation generate noise. Exposure to noise can lead to hearing loss.

- ▶ Wear ear protectors.

## 6.1 Hand-guided drilling **16**

**⚠ WARNING**

**Risk of electric shock!** If the machine is used for hand-guided drilling in an upwards direction without the necessary safety precautions, water may enter the machine and present a risk of electric shock.

- ▶ **When carrying out hand-guided drilling in an upwards direction, always use a water collection system with a wet/dry industrial vacuum cleaner and the spray guard.**

**⚠ WARNING**

**Danger of electric shock!** Use of the wrong sealing ring when drilling overhead may cause water to find its way into the interior of the diamond core drilling machine.

- ▶ **Always use a sealing ring of the same diameter as the core bit.**

1. Plug the drilling machine's supply cord into a power outlet or, if using a vacuum cleaner, into the power outlet on the all-purpose vacuum cleaner (if the vacuum cleaner is equipped with a power outlet).
2. If using a vacuum cleaner, plug the vacuum cleaner supply cord into the electric supply socket and set the switch on the vacuum cleaner to the **AUTO** or **ON** position (i.e. the **I** position).
3. Switch on the ground fault circuit interrupter (PRCD) (see → page 14).

**i** In **AUTO** mode, the vacuum cleaner starts automatically with a delay after switching on the drilling machine. When in **AUTO** mode the vacuum cleaner continues to run for a short time after the drilling machine is switched off, before switching itself off automatically. When set to **ON** or **I**, the vacuum cleaner requires to be switched on and off manually.

4. Mark the center of the hole to be drilled with a cross. The lines of the cross should be longer than the diameter of the water collector.

**i** The water collector has four protruding marks that can be aligned with the cross.

5. Press the drilling machine's control switch and hold it in this position. Set the water regulation lever to the desired water flow rate and then release the control switch.

**i** The water supply (water on/off) is controlled automatically by the drilling machine's control switch. The water flow rate can be preset by turning the water regulating lever before starting drilling or regulated while drilling is in progress (minimum water flow rate when the regulating lever is in the "closed" position is approx. 0.3 l/min).

6. Position the water collector carefully at the position where the hole is to be drilled, without bringing the core bit into contact with the working surface.
7. Bring the four marks on the water collector into alignment with the lines marking the center of the hole to be drilled.
8. Check that the core bit is not in contact with the working surface and then press the control switch half way (this activates hole-starting speed).
9. If you are drilling upwards, wait until the core bit has filled with water.
  - ▶ This will help to ensure that the core bit is cooled and avoid damage cause by dry drilling.



10. Press the core bit gently against the working surface.
  - ▶ After switching on (pressing the control switch half way), the drilling machine runs at the slower hole-starting speed in order to reduce the tendency of the core bit to “wander” when starting the hole.
11. Press the control switch fully as soon as the core bit begins to bite and drill smoothly.
  - ▶ The core bit can rotate at maximum speed as soon as the control switched is pressed fully.

---

**i** Adjust the pressure applied so that the drilling machine continues to run at full speed. Optimum drilling performance will then be achieved (the drilling performance indicator lights green). Application of higher pressure will not increase the rate of drilling progress (the drilling performance indicator lights red).

---

**i** Guide the core bit carefully, keeping it straight in the hole. Tilting the core bit in the hole may result in reduced drilling performance.

---

**i** Always take care to ensure that the water flow rate is set correctly. Check the water flow by keeping an eye on the flow rate indicator.

---

## 6.2 Drilling using the drill stand

### WARNING

**Water running out presents a risk of electric shock!** The spray guard cannot be used when the machine is mounted on the drill stand. The machine is therefore not protected against entry of water when mounted on the drill stand.

- ▶ **Never drill in an upwards direction with the machine mounted on the drill stand!**
- 

### WARNING

**Risk of accident!** When drilling penetrations through walls or floors/ceilings, the core or fragments of material may drop out and fall down on the other side.

- ▶ Take the necessary safety precautions on the other side of the wall or below the floor/ceiling before drilling penetrations.
- 

### WARNING

**Risk of injury** Hazard presented by a falling diamond core drilling machine.

- ▶ When drilling horizontally, the drill stand must be secured additionally by a chain.
- 

1. If you are using a wet/dry industrial vacuum cleaner, connect the suction system (→ page 13) and follow steps 1 to 3 in the section on hand-guided drilling (→ page 15).
  2. Plug the supply cord into the power outlet and switch on the ground fault circuit interrupter (PRCD) (see section on connecting electric power and water → page 14).
  3. Release the carriage locking mechanism.
  4. Use the hand wheel to move the carriage down until the water collector is in contact with the working surface.
  5. Press the machine’s control switch and hold it in this position. Set the water regulation lever to the desired water flow rate and then release the control switch.
- 

**i** The water supply (water on/off) is controlled automatically by the machine’s control switch. The water flow rate can be preset by turning the water regulating lever before starting drilling or regulated while drilling is in progress (minimum water flow rate when the regulating lever is in the “closed” position is approx. 0.3 l/min).

---

6. Switch the machine on in sustained operating mode by pressing the control switch fully and then pressing the switch lockbutton.
7. Turn the hand wheel until the diamond core bit is in contact with the working surface.
8. When beginning drilling, apply only light pressure until the core bit has centered itself and then increase the pressure.
9. Increase the pressure against the working surface as soon as you feel that the core bit has centered itself and is rotating smoothly.



10. Regulate the contact pressure while observing the drilling performance indicator.

Adjust the pressure applied so that the machine continues to run at full speed. Optimum drilling performance will then be achieved (the drilling performance indicator lights green). Higher contact pressure will not increase the drilling performance (the drilling performance indicator lights red).

Keep an eye on the water flow rate while drilling is in progress. Check the water flow rate indicator.

### 6.3 Drilling with a 600 mm core bit

1. Start the hole by predrilling with a 300 mm core bit.

#### WARNING

**Risk of injury.** Drilling with the 600 mm core bit without predrilling may cause loss of control of the machine resulting in damage and injury.

- ▶ Always predrill (use a shorter core bit to start the hole). Before continuing drilling, ensure that the 600 mm core bit is inserted all the way to the base of the predrilled starting hole.
2. After changing the core bit, keep the machine switched off and guide the 600 mm core bit into the predrilled hole, all the way to the base of the hole.
3. Continue drilling.

### 6.4 Switching the machine off

1. Switch the machine off when the desired drilling depth is reached or when the through-hole has been completed. If you are using the switch lock, release the lock by pressing the on/off switch.

#### WARNING

**Risk of injury!** The core, or pieces of it, may be hurled out if the water collector is lifted away from the working surface while the core bit is still rotating. This presents a risk of injury.

- ▶ Lift the water collector away from the working surface only after the core bit has stopped rotating.
2. Withdraw the core bit from the hole as the machine slows down, but before it stops.
- ▶ The water supply (water on/off) is controlled automatically by the machine's on/off switch.

### 6.5 Removing and emptying the core bit

1. Unplug the supply cord from the power outlet.

#### CAUTION

**Risk of injury when changing the tool!** The tool becomes hot as a result of use. It may have sharp edges.

- ▶ Always wear protective gloves when changing the tool.

#### WARNING

**Risk of injury.** The drilled-out core, or parts of it, may fall out of the core bit.

- ▶ Take care to ensure that the core doesn't fall out of the core bit inadvertently. Remove all parts of the core from the core bit.

2. Open the chuck. To do this, pull the chuck locking lever up as far as it will go.

Hold the machine with the tip of the core bit pointing slightly downwards so that the water remaining in the core bit can flow out.

3. Rotate the core bit as far as it will go.
4. Pull the core bit out of the chuck.
5. Tilt the core bit slightly away from the imaginary extension of the chuck axis.
6. Pull the core bit out of the water collector.
7. Hold the core bit securely and shake it until the core falls out through the connection end towards the rear. If parts of the core remain stuck in the core bit, tap the end of core bit vertically downwards against a soft object (wood or plastic) or use a thin rod (e.g. the depth gauge) to push out the core.
8. Close the chuck locking lever.



## 6.6 Removing the core from the hole

1. While rotating it slightly, push the core breaking tool into the hole as far as it will go.



Check that the diameter of the core breaking tool (optional accessory) matches the diameter of the core bit used.

2. Break the core by applying slight lateral pressure to the core breaking tool.
3. Pull the broken core out of the hole with the core breaking tool.
4. Use a rule to measure the hole depth actually reached.

## 6.7 Disposal of drilling slurry

1. Collect the drilling slurry (e.g. using a wet/dry industrial vacuum cleaner).
2. Allow the drilling slurry to settle and dispose of the solid material at a construction waste disposal site.



The addition of a flocculent may accelerate the separation process.

3. The remaining drilling water (alkaline, pH value > 7) must be neutralized by the addition of an acidic neutralizing agent or diluted with a large volume of water before it is allowed to flow into the sewerage system.

## 7 Care and maintenance



### WARNING

**Electric shock hazard!** Attempting care and maintenance with the supply cord connected to a power outlet can lead to severe injury and burns.

- ▶ Always unplug the supply cord before carrying out care and maintenance tasks.

### Care

- Carefully remove any dirt that may be adhering to surfaces.
- Clean the cooling air slots carefully with a dry brush.
- Use only a slightly damp cloth to clean the casing. Do not use cleaning agents containing silicone as these may attack the plastic parts.

### Care of accessory tools (e.g. core bits) and metal parts

- ▶ Remove any dirt that may be adhering to the item.
- ▶ Protect the surfaces of accessory tools and the chuck from corrosion by rubbing these items with an oily cloth from time to time.
- ▶ Always keep the connection end clean and lightly oiled.

### Maintenance



### WARNING

**Danger of electric shock!** Improper repairs to electrical components may lead to serious injuries including burns.

- ▶ Repairs to the electrical section of the tool or appliance may be carried out only by trained electrical specialists.
- Check all visible parts and controls for signs of damage at regular intervals and make sure that they all function correctly.
- Do not operate the machine if damaged or if its parts malfunction. Have the machine repaired by **Hilti Service** immediately.
- On versions with a replaceable supply cord, the supply cord may be replaced by a trained electrical specialist.
- After cleaning and maintenance, fit all guards or protective devices and check that they function correctly.



To help ensure safe and reliable operation, use only genuine Hilti spare parts and consumables. Spare parts, consumables and accessories approved by Hilti for use with the product can be found at your local **Hilti Center** or online at: **[www.hilti.group](http://www.hilti.group)**



## 7.1 Replacing the carbon brushes

### WARNING

#### Risk of injury due to electric shock !

- ▶ The machine may be operated, serviced and repaired only by trained, authorized personnel. This personnel must be specially informed of any possible hazards.

The carbon brushes must be replaced when the indicator lamp with the wrench symbol lights.

1. Unplug the supply cord from the power outlet.
2. Open the carbon brush covers on the left-hand and right-hand sides of the motor.
3. **Take note of how the carbon brushes are fitted and how the conductors are positioned.** Remove the worn carbon brushes from the diamond core drilling machine.
4. Fit the new carbon brushes, positioning them exactly the same as the old ones fitted previously.

Take care to avoid damaging the insulation on the indicator lead as you insert the brushes.

5. Screw on the carbon brush covers on the left- and right-hand side of the motor.
6. Run in the carbon brushes by letting the machine run under no load for at least 1 minute without interruption.
  - ▶ The indicator lamp will go out after a running time of approx. 1 minute with the new carbon brushes.

## 7.2 Cleaning the water flow sight glass

Pay attention to cleanliness at your workplace when cleaning the sight glass. Take care to prevent dirt entering the inside of the water flow rate indicator while the glass is being cleaned.

1. Use a Torx TX 15 screwdriver to remove the two screws at the sight glass.
2. Lift the glass away.
3. Remove the water flow rate impeller, complete with axle.
4. Remove any dirt particles by flushing under running water.
5. Before fitting the parts, check the sight glass seal for damage and replace it if necessary.
6. Make sure that the seal is positioned exactly in its seat. The seal may otherwise be pinched between the plastic parts when the sight glass is fitted, thereby damaging the seal and resulting in leakage.
7. Refit the impeller complete with its axle.
8. Press the sight glass back into place.
9. Insert the sight glass retaining screws (Torx screws) and tighten them securely.

## 8 Troubleshooting

If the trouble you are experiencing is not listed in this table or you are unable to remedy the problem by yourself, please contact **Hilti** Service.

### 8.1 The diamond core drilling machine is in working order

Malfunction	Possible cause	Action to be taken
 The service indicator lights.	The carbon brush wear limit has almost been reached. The diamond core drilling machine will continue to run for a few hours until it shuts down automatically.	▶ Have the carbon brushes replaced at the next opportunity.
	The carbon brushes have been changed and must be run in.	▶ Run in the carbon brushes by letting the machine run under no load for at least 1 minute without interruption.






<b>Malfunction</b>	<b>Possible cause</b>	<b>Action to be taken</b>
The diamond core drilling machine doesn't achieve full performance.	Supply network fault – undervoltage occurred.	<ul style="list-style-type: none"> <li>▶ Check whether other power consumers are disrupting the power supply from the network or generator.</li> <li>▶ Check the length of the extension cord used.</li> </ul>
The diamond core bit doesn't rotate.	The diamond core bit has become jammed in the base material.	<ul style="list-style-type: none"> <li>▶ Guide the diamond core drilling machine in a straight line.</li> <li>▶ Use an open-end wrench to release the diamond core bit: Disconnect the mains plug from the power outlet. Grip the diamond core bit with a suitable open-end wrench close to the connection end and release the diamond core bit by rotating it.</li> </ul>
The drilling speed is decreasing.	Maximum drilling depth has been reached.	▶ Remove the core and use a longer core bit.
	The core is stuck in the diamond core bit.	▶ Remove the core.
	Wrong core bit specification for the base material.	▶ Select a more suitable diamond core bit specification.
	High steel content (indicated by clear water containing metal cuttings).	▶ Select a more suitable diamond core bit specification.
	The diamond core bit is defective.	▶ Check the diamond core bit for damage and replace it if necessary.
	The diamond core bit is polished.	▶ Sharpen the diamond core bit by drilling into a sharpening plate.
	The water flow rate is too high.	▶ Reduce the water flow rate by adjusting the water flow regulator.
	The water flow rate is too low.	<ul style="list-style-type: none"> <li>▶ Check the water supply to the diamond core bit or, respectively, increase the water flow by adjusting the water flow regulator.</li> <li>▶ Check the filter element at the water connection.</li> </ul>
The diamond core bit can't be fitted into the chuck.	The core bit connection end or chuck is dirty or damaged.	▶ Clean the connection end and/or the chuck or replace these parts.
	The chuck operating lever isn't fully open.	▶ Open the lever as far as it will go.
The diamond core bit has too much play.	The connection end is defective.	▶ Check the connection end and replace it if necessary.
	The chuck lever is not closed.	▶ Close the chuck lever.
No water is flowing.	The filter or water flow indicator is blocked.	▶ Remove the filter or water flow indicator and flush it through.
Water escapes from the chuck during operation.	The core bit connection end / chuck is dirty.	▶ Clean the connection end or the chuck.




Malfunction	Possible cause	Action to be taken
Water escapes from the chuck during operation.	The chuck seal is defective.	▶ Check the seal and replace it if necessary.

## 8.2 The diamond core drilling machine is not in working order

Malfunction	Possible cause	Action to be taken
 The service indicator shows nothing.	The PRCD isn't switched on.	▶ Check that the PRCD is functioning and switch it on.
	Interruption in the electric supply.	▶ Plug in another electric tool or appliance and check whether it works. ▶ Check the plug connections, supply cord, power supply line and main supply fuse.
	Water in the motor.	▶ Allow the diamond core drilling machine to dry out completely in a warm, dry place.
 The service indicator lights.	The carbon brushes are worn out.	▶ Replace the carbon brushes. → page 19
 The service indicator blinks.	The motor has overheated (e.g. due to excessive lateral core bit friction and/or excessive contact pressure).	▶ Wait a few minutes until the motor has cooled down or allow the diamond core drilling machine to run under no load in order to speed up the cooling process. ▶ Switch the diamond core drilling machine off and then on again. ▶ Guide the diamond core drilling machine carefully, keeping it straight and/or reduce the contact pressure.

## 9 Disposal

 Most of the materials from which **Hilti** tools and appliances are manufactured can be recycled. The materials must be correctly separated before they can be recycled. In many countries, your old tools, machines or appliances can be returned to **Hilti** for recycling. Ask **Hilti** Service or your Hilti representative for further information.



- ▶ Do not dispose of power tools, electronic equipment or batteries as household waste!

### 9.1 Disposal of drilling slurry

Disposal of drilling slurry directly into rivers, lakes or the sewerage system without suitable pretreatment presents environmental problems.

- ▶ Ask the local public authorities for information about current regulations.
- ▶ Dispose of the drilling slurry. → page 18

## 10 Manufacturer's warranty

- ▶ Please contact your local **Hilti** representative if you have questions about the warranty conditions.



# Mode d'emploi original

## 1 Indications relatives à la documentation

### 1.1 À propos de cette documentation

- Lire intégralement la présente documentation avant la mise en service. C'est la condition préalablement requise pour assurer la sécurité du travail et un maniement sans perturbations.
- Bien respecter les consignes de sécurité et les avertissements de la présente documentation ainsi que celles figurant sur le produit.
- Toujours conserver le mode d'emploi à proximité du produit et uniquement le transmettre à des tiers avec ce mode d'emploi.

### 1.2 Explication des symboles

#### 1.2.1 Avertissements

Les avertissements attirent l'attention sur des dangers liés à l'utilisation du produit. Les termes de signalisation suivants sont utilisés :

**DANGER**

**DANGER !**

- ▶ Pour un danger imminent qui peut entraîner de graves blessures corporelles ou la mort.

**AVERTISSEMENT**

**AVERTISSEMENT !**

- ▶ Pour un danger potentiel qui peut entraîner de graves blessures corporelles ou la mort.

**ATTENTION**

**ATTENTION !**

- ▶ Pour une situation potentiellement dangereuse pouvant entraîner des blessures corporelles ou des dégâts matériels.

#### 1.2.2 Symboles dans la documentation

Les symboles suivants sont utilisés dans la présente documentation :

	Lire le mode d'emploi avant d'utiliser l'appareil
	Pour des conseils d'utilisation et autres informations utiles
	Maniement des matériaux recyclables
	Ne pas jeter les appareils électriques et les accus dans les ordures ménagères

#### 1.2.3 Symboles dans les illustrations

Les symboles suivants sont utilisés dans les illustrations :

	Ces chiffres renvoient à l'illustration correspondante au début du présent mode d'emploi
	La numérotation détermine la séquence des étapes de travail dans l'image et peut se différencier de celles des étapes de travail dans le texte
	Les numéros de position sont utilisés dans l'illustration <b>Vue d'ensemble</b> et renvoient aux numéros des légendes dans la section <b>Vue d'ensemble du produit</b>
	Ce signe doit inviter à manier le produit en faisant particulièrement attention.





### 1.3 Symboles spécifiques au produit

#### 1.3.1 Symboles sur le produit

Les symboles suivants sont utilisés sur le produit :

	Avertissement tension électrique dangereuse
	Avertissement, risque de surfaces chaudes
/min	Tours par minute
$n_0$	Vitesse nominale à vide
	Porter des lunettes de protection
	Porter un casque de protection
	Porter un casque antibruit
	Porter des gants de protection
	Porter des chaussures de protection
	Symbole de cadenas
	Indicateur de maintenance
	Indicateur de puissance de forage
	Transmission de données sans fil

### 1.4 Informations produit

Les produits sont destinés aux professionnels et ne doivent être utilisés, entretenus et réparés que par un personnel autorisé et formé. Ce personnel doit être spécialement instruit quant aux dangers inhérents à l'utilisation de l'appareil. Le produit et ses accessoires peuvent s'avérer dangereux s'ils sont utilisés de manière incorrecte par un personnel non qualifié ou de manière non conforme à l'usage prévu.

La désignation du modèle et le numéro de série figurent sur sa plaque signalétique.

- ▶ Inscrivez le numéro de série dans le tableau suivant. Les informations produit vous seront demandées lorsque vous contactez nos revendeurs ou services après-vente.

#### Caractéristiques produit

Type :	DD 30-W
Génération :	01
N° de série :	

### 1.5 Déclaration de conformité

Nous déclarons sous notre seule et unique responsabilité que le produit décrit ici est conforme aux directives et normes en vigueur. Une copie de l'attestation délivrée par l'organisme de certification se trouve en fin de la présente documentation.

Pour obtenir les documentations techniques, s'adresser à :

**Hilti** Entwicklungsgesellschaft mbH | Zulassung Geräte | Hiltistraße 6 | 86916 Kaufering, DE



### 2.1 Indications générales de sécurité pour les appareils électriques

**⚠ AVERTISSEMENT Lire toutes les consignes de sécurité et instructions, illustrations et caractéristiques techniques, qui accompagnent cet outil électroportatif.** Tout manquement à l'observation des instructions suivantes risque de provoquer une électrocution, un incendie et/ou de graves blessures.

**Les consignes de sécurité et instructions doivent être intégralement conservées pour les utilisations futures.**

La notion d'« outil électroportatif » mentionnée dans les consignes de sécurité se rapporte à des outils électriques raccordés au secteur (avec câble d'alimentation) et à des outils électriques sur accus (sans câble d'alimentation).

#### Sécurité sur le lieu de travail

- ▶ **Conserver la zone de travail propre et bien éclairée.** Un lieu de travail en désordre ou mal éclairé augmente le risque d'accidents.
- ▶ **Ne pas faire fonctionner les outils électriques en atmosphère explosive et où se trouvent des liquides, des gaz ou poussières inflammables.** Les outils électriques produisent des étincelles qui peuvent enflammer les poussières ou les fumées.
- ▶ **Maintenir les enfants et les personnes présentes à l'écart pendant l'utilisation de l'outil électroportatif.** En cas d'inattention il y a risque de perdre le contrôle de l'appareil.

#### Sécurité relative au système électrique

- ▶ **La fiche de secteur de l'outil électroportatif doit être adaptée à la prise de courant. Ne jamais modifier la fiche de quelque façon que ce soit. Ne pas utiliser d'adaptateurs avec des outils électriques à branchement de terre.** Des fiches non modifiées et des prises de courant adaptées réduiront le risque de choc électrique.
- ▶ **Éviter le contact physique avec des surfaces mises à la terre tels que tuyaux, radiateurs, cuisinières et réfrigérateurs.** Il y a un risque élevé de choc électrique au cas où votre corps serait relié à la terre.
- ▶ **Ne pas exposer les outils électroportatifs à la pluie ou à l'humidité.** La pénétration d'eau à l'intérieur d'un outil électroportatif augmentera le risque d'un choc électrique.
- ▶ **Ne jamais utiliser le câble de raccordement à d'autres fins que celles prévues, telles que pour porter, accrocher ou débrancher l'outil électroportatif de la prise de courant. Maintenir le câble de raccordement à l'écart de la chaleur, des parties grasses, des bords tranchants ou des parties en mouvement.** Des câbles de raccordement endommagés ou emmêlés augmentent le risque de choc électrique.
- ▶ **Si l'outil électroportatif est utilisé à l'extérieur, utiliser uniquement des câbles de rallonge homologués pour les applications extérieures.** L'utilisation d'un câble de rallonge homologué pour les applications extérieures réduit le risque d'un choc électrique.
- ▶ **Si l'utilisation de l'outil électrique dans un environnement humide ne peut pas être évitée, utiliser un interrupteur de protection contre les courants de court-circuit.** L'utilisation d'un tel interrupteur de protection réduit le risque d'une décharge électrique.

#### Sécurité des personnes

- ▶ **Rester vigilant, surveiller ce que l'on fait. Faire preuve de bon sens en utilisant l'outil électroportatif. Ne pas utiliser l'outil électroportatif en étant fatigué ou sous l'emprise de l'alcool, de drogues ou de médicaments.** Un moment d'inattention lors de l'utilisation de l'outil électroportatif peut entraîner des blessures graves.
- ▶ **Utiliser un équipement de protection personnel et toujours porter une protection pour les yeux.** Les équipements de protection personnels tels que masque antipoussière, chaussures de sécurité antidérapantes, casque de protection ou protection acoustique suivant l'utilisation de l'outil électroportatif, réduiront le risque de blessures des personnes.
- ▶ **Éviter une mise en service par mégarde. S'assurer que l'outil électroportatif est arrêté avant de le brancher à la source de courant et/ou à l'accu, de le prendre ou de le porter.** Le fait de porter l'outil électroportatif avec le doigt sur l'interrupteur ou de brancher l'appareil sur la source de courant lorsque l'interrupteur est en position de fonctionnement peut entraîner des accidents.
- ▶ **Retirer tout outil de réglage ou toute clé avant de mettre l'outil électroportatif en fonctionnement.** Une clé ou un outil se trouvant sur une partie en rotation peut causer des blessures.
- ▶ **Adopter une bonne posture. Veiller à toujours garder une position stable et équilibrée.** Cela permet un meilleur contrôle de l'outil électroportatif dans des situations inattendues.
- ▶ **S'habiller de manière adaptée. Ne pas porter de vêtements amples ni de bijoux. Garder les cheveux, les vêtements et les gants à distance des parties en mouvement.** Des vêtements amples, des bijoux ou des cheveux longs peuvent être happés par des parties en mouvement.



- ▶ **Si des dispositifs servant à aspirer ou à recueillir les poussières doivent être utilisés, s'assurer qu'ils sont effectivement raccordés et correctement utilisés.** L'utilisation d'un dispositif d'aspiration de la poussière peut réduire les risques dus aux poussières.
- ▶ **Ne pas sous-estimer les mesures de sécurité à prendre et ne pas ignorer sciemment les règles de sécurité applicables aux outils électriques, même si l'on est utilisateur chevronné après de fréquentes utilisations de l'outil électroportatif.** Un manque d'attention peut conduire à de graves blessures en quelques fractions de seconde.

#### Utilisation et manquement de l'outil électroportatif

- ▶ **Ne pas forcer l'appareil. Utiliser l'outil électroportatif adapté au travail à effectuer.** Un outil électroportatif approprié réalisera mieux le travail et de manière plus sûre au régime pour lequel il a été conçu.
- ▶ **Ne pas utiliser d'outil électroportatif dont l'interrupteur est défectueux.** Tout outil électroportatif qui ne peut plus être mis en ou hors fonctionnement est dangereux et doit être réparé.
- ▶ **Débrancher la fiche de la prise de courant et/ou l'accu amovible avant d'effectuer des réglages sur l'appareil, de changer les accessoires, ou de ranger l'appareil.** Cette mesure de précaution empêche une mise en fonctionnement par mégarde de l'outil électroportatif.
- ▶ **Conserver les outils électroportatifs non utilisés hors de portée des enfants. Ne permettre l'utilisation de l'appareil à aucune personne qui ne soit pas familiarisée avec celui-ci ou qui n'a pas lu ces instructions.** Les outils électroportatifs sont dangereux lorsqu'ils sont entre les mains de personnes non initiées.
- ▶ **Prendre soin des outils électroportatifs et des accessoires. Vérifier que les parties en mouvement fonctionnent correctement et qu'elles ne sont pas coincées, et contrôler si des parties sont cassées ou endommagées de sorte que le bon fonctionnement de l'outil électroportatif s'en trouve entravé. Faire réparer les parties endommagées avant d'utiliser l'appareil.** De nombreux accidents sont dus à des outils électroportatifs mal entretenus.
- ▶ **Garder les outils de coupe affûtés et propres.** Des outils destinés à couper correctement entretenus avec des arêtes de coupe tranchantes sont moins susceptibles de bloquer et sont plus faciles à contrôler.
- ▶ **L'outil électroportatif, les accessoires, les outils amovibles, etc. doivent être utilisés conformément à ces instructions. Tenir également compte des conditions de travail et du travail à réaliser.** L'utilisation des outils électroportatifs à d'autres fins que celles prévues peut entraîner des situations dangereuses.
- ▶ **Veiller à ce que les poignées et surfaces de préhension soient toujours être sèches, propres et exemptes de traces de graisse ou d'huile.** Avec des poignées et surfaces de préhension glissantes, la sécurité et le contrôle de l'outil électroportatif ne peuvent être assurés dans des situations inopinées.

#### Service

- ▶ **L'outil électroportatif doit uniquement être réparé par un personnel qualifié, utilisant exclusivement des pièces de rechange d'origine.** Ceci permet d'assurer la sécurité de l'outil électroportatif.

## 2.2 Consignes de sécurité pour carotteuses diamant

- ▶ **Lors de la réalisation de travaux de forage qui nécessitent l'utilisation d'eau, diriger l'eau loin de l'espace de travail ou utiliser un dispositif de récupération de liquides.** De telles mesures de sécurité permettent de garder l'espace de travail au sec et réduisent le risque de choc électrique.
- ▶ **Tenir l'outil électroportatif par les surfaces isolées des poignées lors des travaux pendant lesquels l'outil de coupe risque de toucher des câbles électriques cachés ou son propre câble d'alimentation réseau.** Le contact d'un outil de coupe avec un câble conducteur sous tension risque également de mettre sous tension les parties métalliques de l'outil électroportatif et de provoquer un choc électrique.
- ▶ **Lors des travaux de forage au diamant, porter un casque antibruit.** Le bruit peut entraîner des pertes auditives.
- ▶ **Si l'outil amovible est bloqué, arrêter d'avancer et arrêter l'appareil.** Identifier la cause du blocage et l'éliminer pour les outils amovibles bloqués.
- ▶ **Avant de redémarrer une carotteuse diamant qui est bloquée dans la pièce travaillée, vérifier que l'outil amovible n'est pas coincé.** Si l'outil amovible est coincé, il ne peut pas forcément tourner, ce qui peut entraîner une surcharge de l'outil ou le détachement de la carotteuse diamant de la pièce travaillée.
- ▶ **Si la colonne de forage est ancrée sur la pièce travaillée au moyen de brides d'ancrage et de vis, s'assurer que le moyen d'ancrage utilisé suffit pour maintenir la machine en toute sécurité lors de son utilisation.** Si la pièce travaillée n'est pas résistante ou s'avère poreuse, la bride d'ancrage peut être retirée, ce qui provoque le détachement de la colonne de forage de la pièce travaillée.
- ▶ **Si la colonne de forage est fixée sur la pièce travaillée à l'aide d'une semelle-ventouse, veiller à ce que la surface soit lisse, propre et non poreuse. Ne pas fixer la colonne de forage sur des surfaces laminées, telles que p. ex. du carrelage ou des revêtements de matériaux composites.** Si la surface



de la pièce travaillée n'est pas lisse, plane ou suffisamment fixée, il y a un risque que la semelle-ventouse se détache de la pièce travaillée.

- ▶ **Avant et pendant le forage, s'assurer que la dépression est suffisante.** Si la dépression n'est pas suffisante, la semelle-ventouse peut se détacher de la pièce travaillée.
- ▶ **Ne jamais procéder à des forages au-dessus de la tête et à travers une paroi, si la machine est seulement fixée à l'aide de la semelle-ventouse.** En cas de perte du vide, la semelle-ventouse peut se détacher de la pièce travaillée.
- ▶ **Lors de forages à travers une paroi ou un plafond, s'assurer que les personnes et l'espace de travail de l'autre côté sont sécurisés.** Il y a en effet risque que la couronne de forage sorte de l'autre côté du trou foré et que la carotte tombe de l'autre côté.

**Ne s'applique qu'au mode manuel :**

- ▶ **En cas de travail au-dessus de la tête, toujours utiliser le dispositif de récupération de liquides spécifié dans le manuel d'utilisation. Veiller à ce que l'eau ne rentre pas dans l'outil.** La pénétration d'eau à l'intérieur d'un outil électroportatif augmente le risque d'un choc électrique.

**Ne s'applique qu'au mode colonne :**

- ▶ **Ne pas utiliser cet outil pour des travaux sous plafond avec une conduite d'alimentation en eau.** La pénétration d'eau à l'intérieur d'un outil électroportatif augmente le risque d'un choc électrique.

### 2.3 Consignes de sécurité supplémentaires

#### Sécurité des personnes

- ▶ **En mode de guidage manuel, toujours tenir l'appareil des deux mains par les poignées prévues à cet effet.**
- ▶ L'appareil et la couronne de forage diamantée sont lourds. **Il y a risque d'écraser des parties du corps. Porter un casque de protection, des gants de protection et des chaussures de protection.**
- ▶ **Veiller à ce que les poignées soient toujours sèches, propres et exemptes de traces de graisse et d'huile.**
- ▶ **Faire régulièrement des pauses et des exercices de relaxation et de massage des doigts pour favoriser l'irrigation sanguine dans les doigts.**
- ▶ **Éviter de toucher des pièces en rotation. Brancher l'appareil uniquement dans l'espace de travail.** Le fait de toucher des pièces en rotation, en particulier des outils amovibles en rotation, risque d'entraîner des blessures.
- ▶ **Pendant le travail, toujours mettre les câbles d'alimentation réseau et de rallonge, le cas échéant aussi le flexible d'aspiration, vers l'arrière de l'appareil.** Ceci permet d'éviter tout risque de chute en trébuchant sur le câble ou sur le flexible pendant le travail.
- ▶ **Éviter tout contact de la peau et des yeux avec les boues de forage. Porter des gants de protection et des lunettes de protection.**
- ▶ **Avertir les enfants et veiller à ce qu'ils ne jouent pas avec l'appareil.**
- ▶ **L'appareil n'est pas destiné à être utilisé par des personnes affaiblies sans encadrement. L'appareil doit être tenu à l'écart des enfants.**
- ▶ En cours d'utilisation et d'affûtage, l'outil peut devenir très chaud. **Il y a risque de brûlures ou des blessures par coupure. Porter des gants de protection pour manier l'outil.**
- ▶ **Pendant les pauses de travail, poser l'appareil encore dans le montant support avec précaution sur le sol.**
- ▶ **Ne jamais entreprendre de manipulation ou de modification sur l'appareil.**

#### Protection de poussières

Les poussières de matériaux telles que des poussières de peinture au plomb, de certains types de bois, minéraux et métaux, peuvent être nocives pour la santé. Le contact ou l'aspiration des poussières peut provoquer des réactions allergiques et/ou des maladies respiratoires de l'utilisateur ou de toute personne se trouvant à proximité. Certaines poussières, telles que des poussières de chêne ou de hêtre, sont considérées comme cancérigènes, en particulier lorsqu'elles sont combinées à des additifs destinés au traitement du bois (chromate, produit de protection du bois).

- ▶ **Un dispositif d'aspiration efficace doit être utilisé dans la mesure du possible. Utiliser pour ce faire un aspirateur mobile pour bois et/ou poussières minérales, tel que recommandé par Hilti, spécialement étudié pour cet outil électroportatif. Veiller à ce que la place de travail soit bien ventilée. Il est recommandé de porter un masque antipoussière de la classe de filtre P2. Respecter les prescriptions locales en vigueur qui s'appliquent aux matériaux travaillés.**

#### Utilisation et emploi soigneux de l'outil électroportatif

- ▶ **Bien fixer la pièce. Utiliser des dispositifs de serrage ou un étai pour fixer la pièce.** Elle sera ainsi mieux tenue qu'à la main, et les deux mains restent alors libres pour commander l'appareil.



- ▶ Vérifier que les outils sont bien munis du système d'emmanchement adapté à l'appareil et qu'ils sont toujours correctement verrouillés dans le porte-outil.
- ▶ En cas de coupure de courant, mettre l'interrupteur Marche / Arrêt de l'outil électroportatif sur Arrêt et débrancher la fiche de la prise de courant pour éviter toute mise en marche intempestive lorsque le courant est rétabli.
- ▶ Ne jamais faire fonctionner l'appareil avec ouïes d'aération recouvertes.

#### Sécurité relative au système électrique

- ▶ Avant d'entamer le travail, vérifier, par exemple à l'aide d'un détecteur de métaux, qu'il n'y a pas de câbles ou gaines électriques, tuyaux de gaz ou d'eau cachés dans la zone d'intervention. Toutes pièces métalliques extérieures de l'appareil peuvent devenir conductrices, par exemple, lorsqu'un câble électrique est endommagé par inadvertance. Cela peut entraîner un grave danger d'électrocution.
- ▶ Ne jamais faire fonctionner l'appareil sans le disjoncteur PRCD fourni (pour les appareils sans PRCD, jamais sans le transformateur de séparation). Contrôler le disjoncteur PRCD avant chaque utilisation.
- ▶ Contrôler régulièrement les câbles de raccordement de l'appareil et les faire remplacer par un spécialiste s'ils sont endommagés. Si le câble de raccordement de l'appareil électrique est endommagé, il doit être remplacé par un câble de raccordement spécialement préparé et autorisé, disponible auprès du service après-vente. Contrôler régulièrement les câbles de rallonge et les remplacer s'ils sont endommagés. Si le câble d'alimentation réseau ou de rallonge est endommagé pendant le travail, ne pas le toucher. Débrancher la fiche de la prise. Les cordons d'alimentation et câbles de rallonge endommagés représentent un danger d'électrocution.
- ▶ Éviter le contact physique avec des surfaces mises à la terre tels que tuyaux, radiateurs, cuisinières et réfrigérateurs. Il y a un risque élevé de choc électrique au cas où votre corps serait relié à la terre.
- ▶ Ne pas utiliser d'adaptateur de connecteur.

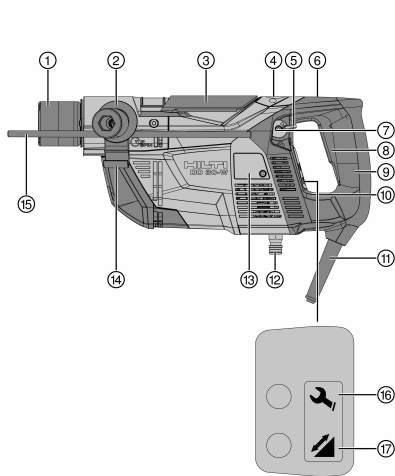
#### Place de travail

- ▶ Veiller à ce que la place de travail soit bien ventilée. Des places de travail mal ventilées peuvent nuire à la santé du fait de la présence excessive de poussière.
- ▶ Ne jamais percer dans de des matériaux dangereux pour la santé (par ex. amiante).
- ▶ Faire confirmer les travaux de forage par la direction des travaux. Les travaux de forage dans des bâtiments et autres structures sont susceptibles de modifier la statique de la construction, en particulier lors d'interventions sur des armatures métalliques ou des éléments porteurs.
- ▶ Lors d'interventions à l'extérieur, le port de gants en caoutchouc et de chaussures à semelle antidérapante est recommandé.
- ▶ Lors de l'utilisation de l'appareil, porter des lunettes de protection adaptées, un casque de protection, un casque antibruit, des gants de protection et des chaussures de protection. Même les personnes se trouvant à proximité doivent porter des équipements de protection personnels.



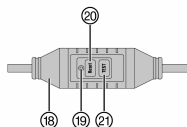
### 3 Description

#### 3.1 Vue d'ensemble du produit 1



- ① Mandrin
- ② Poignée latérale **DD-SH-30**
- ③ Verrouillage du mandrin
- ④ Débitmètre indicateur de passage d'eau
- ⑤ Levier de régulation du débit d'eau
- ⑥ Blocage d'interrupteur pour le forage avec colonne
- ⑦ Niveau à bulle circulaire pour le forage vertical
- ⑧ Interrupteur Marche / Arrêt
- ⑨ Poignée
- ⑩ Niveau à bulle rectiligne pour le forage horizontal
- ⑪ Câble d'alimentation réseau avec disjoncteur PRCD
- ⑫ Raccord d'eau
- ⑬ Couverture de balais de charbon
- ⑭ Support pour flexible d'aspiration
- ⑮ Butée de profondeur pour un forage à guidage manuel
- ⑯ Indicateur de maintenance
- ⑰ Indicateur de puissance de forage

#### 3.2 Disjoncteur différentiel à courant de défaut (PRCD) 2



- ⑱ PRCD dans le câble d'alimentation
- ⑲ Affichage sur le PRCD
- ⑳ Touche **Reset** sur le PRCD
- ㉑ Touche **TEST** sur le PRCD

#### 3.3 Système de récupération d'eau 3

- ㉒ Curseur de réglage de la longueur de la barre collectrice d'eau
- ㉓ Déverrouillage de la barre collectrice d'eau
- ㉔ Barre collectrice d'eau

#### 3.4 Accessoires 4

- ㉕ Guide de centrage
- ㉖ Anneau du collecteur d'eau
- ㉗ Flexible collecteur d'eau
- ㉘ Protection contre la projection

#### 3.5 Accessoires de colonne de forage DD-ST 30 5

- ㉙ Vis de butée
- ㉚ Colonne
- ㉛ Mâchoire de serrage
- ㉜ Vis d'arrêt
- ㉝ Goupille
- ㉞ Volant à main
- ㉟ Boîtier de guidage
- ㊱ Blocage du boîtier de guidage
- ㊲ Poignée
- ㊳ Levier de serrage
- ㊴ Raccord à vide
- ㊵ Manomètre
- ㊶ Joint de la semelle-ventouse
- ㊷ Plaque adaptatrice
- ㊸ Semelle-ventouse
- ㊹ Vis de mise à niveau
- ㊺ Détendeur de pression

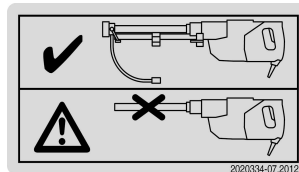


### 3.6 Utilisation conforme à l'usage prévu

Le produit décrit est un système électrique de forage à pointe de diamant. Il est conçu pour le forage à eau, à guidage manuel et sur colonne de forage, dans le béton et dans des matériaux minéraux. La colonne de forage peut être fixée sur la pièce à travailler à l'aide d'un dispositif d'ancrage approprié (accessoire) ou à l'aide de la semelle-ventouse (accessoire).

- ▶ Faire fonctionner l'appareil uniquement à la tension et la fréquence réseau indiquées sur la plaque signalétique.
- ▶ En fonction de l'application et du sens de forage (voir tableau → Page 29), le système de récupération d'eau de la foreuse diamant doit être raccordé à un aspirateur universel tel que recommandé par Hilti et éventuellement équipé d'accessoires.

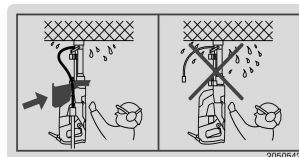
Les applications de forage doivent uniquement être réalisées avec un système de récupération d'eau monté, une combinaison adéquate de guide de centrage et de couronne de forage ainsi que le bon réglage de la longueur.



Autocollant sur le produit

Le forage vers le haut est uniquement admis avec un dispositif d'aspiration d'eau et une protection contre les projections.

Étant donné que, lors du forage à guidage par colonne, la protection contre les projections ne peut pas être montée, le forage vers le haut n'est pas autorisé.



Autocollant sur le produit

### 3.7 Usage non autorisé

- Ce produit ne convient pas pour travailler des matériaux dangereux pour la santé.
- Il n'est pas permis de forer dans des matériaux qui génèrent des poussières conductrices (tels que du magnésium).
- Le forage à sec n'est pas autorisé.

### 3.8 Équipements spécifiques aux applications

#### Équipement requis pour divers sens de forage / applications

Application	Sens de forage	Équipement
Guidage manuel	à l'horizontale et vers le bas	avec/sans aspirateur d'eau, sans protection contre la projection
Guidage manuel	vers le haut	avec aspirateur d'eau et protection contre la projection
à guidage sur colonne de forage, fixation à l'aide de semelle-ventouse	vers le bas	avec/sans aspirateur d'eau, sans protection contre la projection
à guidage sur colonne de forage, fixation à l'aide de semelle-ventouse	à l'horizontale	avec/sans aspirateur d'eau, sans protection contre la projection et avec une protection par fusibles de la colonne de forage
à guidage sur colonne de forage, fixation par ancrage	vers le bas et à l'horizontale	avec/sans aspirateur d'eau, sans protection contre la projection



### 3.9 Indicateur de maintenance

Voyant lumineux/État de fonctionnement	État de service
Allumé en rouge/l'appareil fonctionne	Les balais de charbon sont très usés. L'appareil peut encore être utilisé pendant quelques heures à compter de l'allumage, puis l'appareil s'arrête automatiquement. Faire remplacer les balais de charbon à temps afin que l'appareil soit toujours prêt à fonctionner.
Allumé en rouge/l'appareil ne fonctionne pas	Faire remplacer les balais de charbon.
Clignotant en rouge	Défaillance temporaire, voir "Aide au dépannage"

### 3.10 Indicateur de puissance de forage

Voyant lumineux	Pression d'appui
Orange	trop faible
Vert	optimale
Rouge	trop élevée

### 3.11 Niveaux de vitesse de rotation

L'appareil dispose de deux niveaux de vitesse de rotation : un niveau d'amorçage à vitesse réduite et le niveau de forage à vitesse de rotation maximale.

Tant que l'interrupteur Marche / Arrêt est seulement enfoncé à moitié, seul le régime d'amorçage est activé. C'est à cette vitesse de rotation que le débit d'eau doit être réglé. La vitesse de rotation élevée du niveau de forage est atteinte si l'interrupteur Marche / Arrêt est complètement enfoncé.

### 3.12 Éléments livrés

Appareil avec poignée latérale et porte-outil, mode d'emploi.

D'autres produits système pour votre produit peuvent être trouvés dans votre **Hilti Store** ou à l'adresse : [www.hilti.group](http://www.hilti.group)

### 3.13 Outils

Désignation	Nom
Couronne diamantée	DD-C
Briseur de carotte	DD-CB

### 3.14 Accessoires

Désignation	Nom
Colonne de forage	DD-ST 30
Couronnes de forage	DD-C, diamètre 8 - 35 mm
Set d'accessoires pour la fixation du montant support avec ancrage	DD M12 S
Butée de profondeur pour colonne de forage	DD-ST 30-ES
Protection contre la projection	DD-30-W-CV

## 4 Caractéristiques techniques

### 4.1 Appareil de forage diamant

En cas d'utilisation avec un groupe électrogène ou un transformateur, leur puissance d'alimentation doit être au moins égale au double de la puissance indiquée sur la plaque signalétique de l'appareil. La tension de service du groupe électrogène ou du transformateur doit être toujours comprise entre +5 % et -15 % par rapport à la tension nominale de l'appareil.





Les indications de consigne valent pour une tension nominale de 120 V. Ces indications peuvent varier en cas de tensions différentes et de versions spécifiques au pays. La tension nominale, la fréquence ainsi que la puissance absorbée de référence resp. le courant nominal de l'appareil figurent sur la plaque signalétique.

<b>Poids</b>	16,8 lb (7,6 kg)
<b>Diamètre de couronne de forage</b>	0,3 in ... 1,4 in (8 mm ... 35 mm)
<b>Classe de protection</b>	I
<b>Vitesse nominale à vide</b>	9.200 tr/min

## 4.2 Tension nominale

### Tension nominale

<b>Tension nominale</b>	<b>120 V</b>
Fréquence réseau [Hz]	60
Courant nominal [A]	15,0

## 5 Préparatifs

### 5.1 Avant de commencer

- ▶ Pendant les préparatifs, ne pas encore brancher l'appareil au réseau.

#### AVERTISSEMENT

**Possibles dégradations des bâtiments lors des travaux de forage !** Les travaux de forage dans des bâtiments et autres structures sont susceptibles de modifier la statique de la construction, en particulier lors d'interventions sur des armatures métalliques ou des éléments porteurs.

- ▶ Faire confirmer les travaux de forage par la direction des travaux.

#### AVERTISSEMENT

**Risque d'électrocution !** Risque d'accident en amorçant un perçage dans des conduites électriques, conduites de gaz ou d'eau par mégarde. Si des conduites électriques sont touchées lors du préperçage, il y a risque que des pièces métalliques du système de forage deviennent conductrices.

- ▶ Avant de commencer à forer, sonder la zone d'intervention, par exemple avec un détecteur de métaux, à la recherche d'éventuelles conduites électriques, conduites de gaz ou d'eau.
- ▶ Avant d'entamer les travaux de tronçonnage d'armatures métalliques, demander l'autorisation au stacien responsable du chantier.
- ▶ S'assurer que la tension du secteur correspond à celle indiquée sur la plaque signalétique.
- ▶ Avant de changer de lieu, débrancher la fiche de la prise, p. ex. avant de déplacer l'appareil jusqu'au prochain point de forage.
- ▶ Toujours poser le câble d'alimentation réseau et les tuyaux flexibles de sorte qu'ils ne risquent pas d'entrer en contact avec des pièces en rotation.
- ▶ Ne pas accrocher la carotteuse diamant et/ou la colonne de forage à une grue.
- ▶ Avant d'utiliser une pompe à vide, se familiariser avec son mode d'emploi et suivre les instructions.
- ▶ Vérifier que l'indicateur du manomètre se trouve dans la zone verte avant et pendant le forage.
- ▶ Vérifier si la bague coupante présente au minimum une hauteur de 2 mm. **Si tel n'est pas le cas, remplacer la couronne de forage pour éviter que celle-ci ne se coince dans le trou de forage.**
- ▶ Pour éviter tout risque de blessure, utiliser uniquement des couronnes de forage **Hilti DD-C** d'origine et accessoires d'origine pour **DD 30-W**.

### 5.2 Préparatifs du forage à guidage manuel

#### 5.2.1 Positionnement de la poignée latérale

1. Débrancher la fiche de la prise.
2. Ouvrir le dispositif de serrage de la poignée latérale en tournant la poignée.



3. Fixer la poignée latérale dans la position souhaitée.



Vous pouvez monter une butée de profondeur avec la poignée latérale (→ Page 32).

4. Fixer la poignée latérale en la tournant par la poignée de sorte qu'elle ne puisse pas tourner.

### 5.2.2 Montage de la jauge de profondeur 7

1. Débrancher la fiche de la prise.
2. Ouvrir le dispositif de serrage de la poignée latérale en tournant la poignée.
3. Faire glisser la jauge de profondeur par l'avant dans l'alésage prévu à cet effet sur la poignée latérale.
4. Régler la jauge de profondeur sur la profondeur souhaitée.
5. Fixer la jauge de profondeur en serrant la poignée latérale.

### 5.2.3 Montage de la protection contre les projections 8



#### AVERTISSEMENT

**Risque d'électrocution !** Si les mesures de protection préconisées ne sont pas respectées pour le forage à guidage manuel sous plafond, de l'eau peut s'infiltrer dans l'appareil et il y a alors danger d'électrocution.

- ▶ **Lors du forage à guidage manuel vers le haut, toujours utiliser un système de récupération d'eau avec un aspirateur de liquides ainsi que la protection contre la projection.**

1. Débrancher la fiche de la prise.
2. Pousser la protection contre la projection vers l'avant sur le porte-outil sur le carter du moteur de l'appareil de forage.

### 5.2.4 Montage des barres collectrices d'eau 9



Le forage est seulement autorisé si les conditions suivantes sont réunies :

La tringle collectrice d'eau fournie est montée et réglée à la longueur de la couronne de forage utilisée. Un guide de centrage adapté au diamètre de couronne de forage est monté dans l'anneau du collecteur.

1. Débrancher la fiche de la prise.
2. Pousser les barres du système collecteur d'eau dans les alésages prévus à cet effet à l'avant de l'appareil jusqu'à ce qu'il s'encliquette de manière audible.
3. Régler à l'aide du curseur la plage de longueur correspondant à la couronne de forage utilisée. Pour des longueurs de couronne de forage jusqu'à 150 mm, mettre le curseur sur la position **150**, et pour des longueurs de couronne de forage 300 mm et 600 mm, respectivement sur la position **300**.

### 5.2.5 Montage resp. remplacement du guide de centrage 10



#### AVERTISSEMENT

**Risque d'électrocution !** Si un guide de centrage erroné est utilisé en cas d'applications au plafond, il y a risque d'infiltration d'eau à l'intérieur de la foreuse au diamètre.

- ▶ **Toujours utiliser un guide de centrage approprié, ayant le même diamètre que la couronne de forage.**

1. Débrancher la fiche de la prise.
2. Placer le guide de centrage dans la rainure de l'anneau du collecteur d'eau et pousser le guide de centrage vers le bas, jusqu'à ce qu'un clic se fasse entendre.
3. Pour enlever le guide de centrage, le faire tourner dans le sens inverse des aiguilles d'une montre et tirer vers le haut hors de l'anneau du collecteur d'eau.

### 5.2.6 Montage de la couronne de forage 11



#### AVERTISSEMENT

**Risque de blessures entraînées par des projections d'objets !** Des couronnes de forage fendillées ou qui présentent des craquelures ainsi que des couronnes de forage très usées peuvent entraîner la projection d'éclats de la pièce travaillée ou des couronnes de forage endommagées et provoquer des blessures même à l'extérieur de l'espace de travail direct.

- ▶ Avant chaque utilisation, vérifier que la couronne de forage ne présente pas de craquelure, est ni écaillée ni fendillée, ni usée ou fortement détériorée et, le cas échéant, remplacer la couronne de forage.



**i** Les couronnes diamantées doivent être remplacées, sitôt que les performances de tronçonnage resp. la progression de forage sont nettement réduites. C'est d'une manière générale le cas, lorsque la hauteur des segments diamantés est inférieure à 2 mm.

**i** Vaporiser régulièrement le mandrin avec le spray **Hilti** pour faciliter le montage de la couronne de forage.

1. Débrancher la fiche de la prise.
2. Tirer le verrouillage du mandrin pour ouvrir le mandrin jusqu'en butée vers le haut.

**i** Vérifier si l'emmanchement de la couronne diamantée et le porte-outil sont propres et non endommagés.

3. Faire pivoter l'anneau du collecteur d'eau autour de son axe de fixation jusqu'en butée.
4. Guider la couronne de forage avec la bague coupante par le haut dans le guide de l'anneau du collecteur d'eau.
5. Faire entrer l'emmanchement de la couronne de forage orientée dans les évidements du porte-outil.
6. Tourner la couronne de forage en exerçant une légère pression jusqu'en butée.
7. Fermer le verrouillage du mandrin pour fixer la couronne de forage.

### 5.2.7 Raccordement du dispositif d'aspiration

1. Raccorder de manière sûre le flexible collecteur d'eau de la foreuse et le flexible d'aspiration de l'aspirateur universel. Utiliser à cet effet un adaptateur de tuyau.
2. Raccorder le flexible d'aspiration de l'aspirateur universel à l'aspirateur universel.
3. Pour les forages effectués sous plafond, utiliser le dispositif de serrage situé sur la poignée latérale pour fixer le flexible collecteur d'eau.

## 5.3 Préparatifs du forage à guidage sur colonne

### AVERTISSEMENT

**Risque de blessures !** Si elle est mal fixée, la colonne de forage peut tourner ou se renverser.

- ▶ Fixer la colonne de forage au moyen de chevilles ou d'une semelle-ventouse sur le matériau support approprié avant d'utiliser la foreuse au diamant.
- ▶ Utiliser uniquement des chevilles qui conviennent pour le matériau support existant et observer les instructions de montage du fabricant de chevilles.
- ▶ Utiliser une semelle-ventouse seulement si le matériau support existant convient pour la fixation de la colonne de forage au moyen d'une ventouse.

La colonne de forage et l'appareil peuvent être fixés soit à l'aide de la semelle-ventouse ou du set d'accessoires **DD M12 S**, c.-à-d. avec le dispositif d'ancrage **HKD-D M12x50**, la broche de serrage **DD-LR-CLS** et l'écrou **DD-LR-CLN**.

### AVERTISSEMENT

**Risque d'électrocution du fait des sorties d'eau !** Il n'est pas possible de monter de protection contre les projections en cas de forage à guidage sur colonne. Par conséquent, l'appareil n'est pas protégé contre les projections en cas de forage à guidage sur colonne vers le haut.

- ▶ **Ne jamais forer vers le haut avec la colonne de forage !**

**i** Le forage à guidage sur colonne est uniquement autorisé sans poignée latérale et sans protection contre les projections.

### 5.3.1 Montage des barres collectrices d'eau

**i** Le forage est seulement autorisé si les conditions suivantes sont réunies :  
La tringle collectrice d'eau fournie est montée et réglée à la longueur de la couronne de forage utilisée.  
Un guide de centrage adapté au diamètre de couronne de forage est monté dans l'anneau du collecteur.

1. Débrancher la fiche de la prise.



2. Pousser les barres du système collecteur d'eau dans les alésages prévus à cet effet à l'avant de l'appareil jusqu'à ce qu'il s'encliquette de manière audible.
3. Régler à l'aide du curseur la plage de longueur correspondant à la couronne de forage utilisée. Pour des longueurs de couronne de forage jusqu'à 150 mm, mettre le curseur sur la position **150**, et pour des longueurs de couronne de forage 300 mm et 600 mm, respectivement sur la position **300**.

### 5.3.2 Fixation de l'appareil et de la colonne de forage sur la semelle-ventouse

#### **AVERTISSEMENT**

**Risque de blessures** Danger du fait de la chute de la carotteuse diamant.

- ▶ Lors des travaux de forage horizontal, la colonne de forage doit être en outre sécurisée avec une chaîne.

#### 5.3.2.1 Positionnement de la semelle-ventouse

1. Marquer le centre du trou de forage à l'aide d'une croix avec des traits plus longs que le diamètre de l'anneau du collecteur d'eau.



L'anneau du collecteur d'eau présente quatre repères en saillie qui permettent d'orienter sur la croix.

2. Régler les 4 vis de mise à niveau de la semelle-ventouse de sorte que la face inférieure de la semelle-ventouse dépasse environ de 5 mm.
3. Positionner la semelle-ventouse à une distance de 21 cm du centre du trou de forage.
4. Fixer les raccords à vide de la semelle-ventouse à l'aide de la pompe à vide.
5. Mettre la pompe à vide en marche.
6. Maintenir le détendeur de pression enfoncé tout en corrigeant le positionnement de la semelle-ventouse.

#### 5.3.2.2 Fixation de la colonne de forage sur la semelle-ventouse

1. Mettre la pompe à vide en marche.
2. Fixer la colonne de forage sur la semelle-ventouse à l'aide du levier de serrage.
3. Orienter la colonne de forage à l'aide des deux vis de mise à niveau.

### 5.3.3 Fixation de l'appareil sur la colonne



En cas de fixation par ventouses, s'assurer que la colonne de forage est fixée de manière sûre avant de fixer l'appareil sur la colonne de forage.

1. Débrancher la fiche de la prise.
2. Bloquer le boîtier de guidage sur la crémaillère de la colonne de forage à la distance maximale par rapport au matériau support.



Le boîtier de guidage doit être bloqué dans la position supérieure. Il est ainsi possible de monter l'appareil avec la barre collectrice d'eau, de sorte que l'anneau du collecteur d'eau ne touche pas le matériau support.

3. Ouvrir la mâchoire de serrage à l'aide de la vis d'arrêt.
4. Insérer l'appareil de forage dans le boîtier de guidage.
5. Fermer la mâchoire de serrage à l'aide de la vis d'arrêt.
6. S'assurer que l'appareil de forage est correctement fixé dans le montant support.

### 5.3.4 Fixation de l'appareil et de la colonne de forage avec ancrage



La fixation de la colonne de forage avec le dispositif d'ancrage nécessite l'utilisation du set d'accessoires **DD M12 S**, qui contient entre autre la broche de serrage **DD-LR-CLS** et l'écrin **DD-LR-CLN**.

1. Marquer le centre du trou de forage à l'aide d'une croix avec des traits plus longs que le diamètre de l'anneau du collecteur d'eau.



L'anneau du collecteur d'eau présente quatre repères en saillie qui permettent d'orienter sur la croix.



- Placer le dispositif d'ancrage **Hilti HKD-D M12x50** pour la fixation de la plaque adaptatrice de la colonne de forage à une distance de 12 cm du repère se trouvant au centre du trou de forage.



Pour la mise en place du dispositif d'ancrage, tenir compte des conseils d'utilisation fournis !

- Fixer l'appareil sur la colonne de forage. → Page 34
- Resserrer les deux vis de mise à niveau jusqu'à ce qu'elles soient à fleur.
- Installer la colonne de forage avec l'appareil monté sur la broche de serrage et bloquer la colonne de forage provisoirement avec l'écrou (set d'accessoires **DD M12 S**).



Serrer seulement la broche lorsque la couronne de forage se trouve exactement au centre du trou de forage (→ Page 36).

- Mettre la colonne de forage à niveau à l'aide des deux vis de mise à niveau.

### 5.3.5 Montage du volant **14**



Le volant à main peut être monté sur les deux côtés du montant support.

- Enficher le volant sur l'axe.
- Faire glisser la goupille ouverte dans l'alésage.
- Fermer la goupille.

### 5.3.6 Montage resp. remplacement du guide de centrage **10**

- Débrancher la fiche de la prise.
- Placer le guide de centrage dans la rainure de l'anneau du collecteur d'eau et pousser le guide de centrage vers le bas, jusqu'à ce qu'un clic se fasse entendre.
- Pour enlever le guide de centrage, le faire tourner dans le sens inverse des aiguilles d'une montre et tirer vers le haut hors de l'anneau du collecteur d'eau.

### 5.3.7 Montage de la couronne de forage **11**



#### AVERTISSEMENT

**Risque de blessures entraînées par des projections d'objets !** Des couronnes de forage fendillées ou qui présentent des craquelures ainsi que des couronnes de forage très usées peuvent entraîner la projection d'éclats de la pièce travaillée ou des couronnes de forage endommagées et provoquer des blessures même à l'extérieur de l'espace de travail direct.

- ▶ Avant chaque utilisation, vérifier que la couronne de forage ne présente pas de craquelure, est ni écaillée ni fendillée, ni usée ou fortement détériorée et, le cas échéant, remplacer la couronne de forage.



Les couronnes diamantées doivent être remplacées, sitôt que les performances de tronçonnage resp. la progression de forage sont nettement réduites. C'est d'une manière générale le cas, lorsque la hauteur des segments diamantés est inférieure à 2 mm.



Vaporiser régulièrement le mandrin avec le spray **Hilti** pour faciliter le montage de la couronne de forage.

- Débrancher la fiche de la prise.
- Tirer le verrouillage du mandrin pour ouvrir le mandrin jusqu'en butée vers le haut.



Vérifier si l'emmanchement de la couronne diamantée et le porte-outil sont propres et non endommagés.

- Faire pivoter l'anneau du collecteur d'eau autour de son axe de fixation jusqu'en butée.
- Guider la couronne de forage avec la bague coupante par le haut dans le guide de l'anneau du collecteur d'eau.
- Faire entrer l'emmanchement de la couronne de forage orientée dans les évidements du porte-outil.
- Tourner la couronne de forage en exerçant une légère pression jusqu'en butée.
- Fermer le verrouillage du mandrin pour fixer la couronne de forage.



### 5.3.8 Raccordement du dispositif d'aspiration

1. Raccorder de manière sûre le flexible collecteur d'eau de la foreuse et le flexible d'aspiration de l'aspirateur universel. Utiliser à cet effet un adaptateur de tuyau.
2. Raccorder le flexible d'aspiration de l'aspirateur universel à l'aspirateur universel.
3. Pour les forages effectués sous plafond, utiliser le dispositif de serrage situé sur la poignée latérale pour fixer le flexible collecteur d'eau.

## 5.4 Centrage du système de forage sur le milieu du trou de forage

### 5.4.1 Positionnement du système de forage avec la semelle-ventouse **15**

1. Vérifier que le système de forage est bien fixé (indicateur du manomètre dans le vert).
2. Pour positionner exactement le système de forage au centre du trou de forage, appuyer sur le détendeur de pression et corriger la position du montant support.
3. Si le système de forage est correctement positionné, relâcher le détendeur de pression et appuyer le système de forage contre le matériau support.
4. Mettre à niveau la semelle-ventouse à l'aide des 4 vis de mise à niveau.

### 5.4.2 Positionnement du système de forage avec le dispositif d'ancrage

1. Pour positionner exactement le système de forage au centre du trou de forage, desserrer prudemment la broche desserrage, jusqu'à ce qu'il soit possible de bouger légèrement la colonne de forage, et corriger la position du système de forage.
2. Orienter la plaque adaptatrice de la colonne de forage à l'aide des 2 vis de mise à niveau.
3. Si le système de forage est correctement positionné, serrer la broche de serrage.

## 5.5 Raccordement de l'alimentation électrique et de l'arrivée eau



### AVERTISSEMENT

**Risque d'électrocution du fait des sorties d'eau !** Un joint torique endommagé ou mal fixé sur le raccordement d'eau de l'appareil, une pression d'eau trop élevée, des raccords de tuyau défectueux et des défauts d'étanchéité du système à eau peuvent provoquer une sortie d'eau et entraîner un risque d'électrocution.

- ▶ **Vérifier régulièrement que l'appareil, les raccords d'eau et les flexibles ainsi que les raccords de tuyau ne sont pas endommagés, et vérifier que la pression de conduite d'eau maximale admise ne dépasse pas 6 bar.**



Utiliser uniquement de l'eau claire ou de l'eau exempte de particules de saleté pour éviter d'endommager les composants.  
La température d'eau maximale admise est 40 °C (104 °F).



Pour les versions GB, utiliser un transformateur de séparation au lieu du PRCD.

1. Raccorder la conduite d'arrivée d'eau avec un élément de raccordement adapté au raccord d'eau de la foreuse.
2. S'assurer que la conduite d'arrivée d'eau est raccordée de manière sûre au raccord d'eau sur la foreuse.
3. Ouvrir l'arrivée eau et s'assurer que le raccord d'eau sur la foreuse est étanche.
4. Insérer la fiche d'alimentation de l'appareil dans une prise terre.
5. Appuyer sur la touche **I** resp. **Reset** du disjoncteur à courant de défaut (PRCD).
  - ▶ L'affichage du disjoncteur à courant de défaut (PRCD) doit s'allumer.
6. Appuyer sur la touche **0** resp. **TEST** du disjoncteur à courant de défaut (PRCD).



L'affichage du disjoncteur à courant de défaut (PRCD) doit s'éteindre.



**⚠ AVERTISSEMENT**

**Risque de blessures entraînées par électrocution !** Si l'affichage du conducteur de protection contre les courants de défaut ne disparaît pas en appuyant sur la touche **0** resp. **TEST**, la carotteuse diamant ne doit plus être utilisée !

- ▶ Faire réparer la carotteuse diamant par le S.A.V. **Hilti**.

7. Réamorcer le disjoncteur à courant de défaut (PRCD) après le test en réappuyant sur la touche **0** resp. **TEST**.

## 6 Forage

**⚠ AVERTISSEMENT**

**Risque d'accident !** Le contact des éléments en rotation avec des flexibles à eau ou gaines électriques risque de provoquer des accidents aux lourdes conséquences.

- ▶ S'assurer que les flexibles à eau ou gaines électriques n'entrent pas en contact avec des éléments en rotation.

**⚠ AVERTISSEMENT**

**Risque de blessures si l'outil se bloque !** Du fait de ses applications, l'appareil a un couple de rotation élevé. En cas de blocage soudain de l'outil, il y a risque que l'appareil se mette en mouvement avec grande force.

- ▶ Utiliser la poignée latérale et toujours travailler en tenant l'appareil des deux mains. Toujours tenir compte d'un blocage soudain de l'outil.

**⚠ AVERTISSEMENT**

**Risque d'accident !** Lors de forages à travers un mur ou un plafond, il y a risque que du matériau ou la carotte de forage tombe vers l'arrière ou vers le bas.

- ▶ En cas de forages à travers un mur ou un plafond, sécuriser la zone vers l'arrière ou vers le bas.

**⚠ AVERTISSEMENT**

**Risque de blessures entraînées par des projections d'éclats de matériau !** Le forage peut entraîner des projections dangereuses d'éclats de matériau. Les éclats de matériau peuvent entraîner des blessures corporelles et aux yeux.

- ▶ Porter des lunettes de protection, des vêtements de protection et un casque de protection.

**⚠ AVERTISSEMENT**

**Risque de blessures.** L'appareil et les travaux de forage sont bruyants. Le bruit peut entraîner des pertes auditives.

- ▶ Porter un casque antibruit.

### 6.1 Forage à guidage manuel

**⚠ AVERTISSEMENT**

**Risque d'électrocution !** Si les mesures de protection préconisées ne sont pas respectées pour le forage à guidage manuel sous plafond, de l'eau peut s'infiltrer dans l'appareil et il y a alors danger d'électrocution.

- ▶ **Lors du forage à guidage manuel vers le haut, toujours utiliser un système de récupération d'eau avec un aspirateur de liquides ainsi que la protection contre la projection.**

**⚠ AVERTISSEMENT**

**Risque d'électrocution !** Si un guide de centrage erroné est utilisé en cas d'applications au plafond, il y a risque d'infiltration d'eau à l'intérieur de la foreuse au diamant.

- ▶ **Toujours utiliser un guide de centrage approprié, ayant le même diamètre que la couronne de forage.**

1. Brancher la fiche électrique de la foreuse dans une prise secteur ou, si un dispositif d'aspiration est utilisé, dans la prise de l'aspirateur universel (sous réserve que l'aspirateur universel soit équipé d'une prise).
2. Si un dispositif d'aspiration est utilisé, brancher la fiche électrique de l'aspirateur universel dans la prise secteur et mettre l'aspirateur sur **AUTO** ou sur **ON** resp. **I**.



3. Amorcer le disjoncteur à courant de défaut (PRCD) (voir → Page 36).



L'aspirateur universel démarre automatiquement en mode **AUTO** en différé après la foreuse. Après l'arrêt de la foreuse, l'aspirateur universel s'arrête automatiquement en mode **AUTO** en différé. En mode **ON** resp. **I**, l'aspirateur doit être mis en marche et à l'arrêt manuellement.

4. Marquer le centre du trou de forage à l'aide d'une croix avec des traits plus longs que le diamètre de l'anneau du collecteur d'eau.



L'anneau du collecteur d'eau présente quatre repères en saillie qui permettent d'orienter sur la croix.

5. Maintenir l'interrupteur Marche / Arrêt de la foreuse enfoncé, régler le levier de régulation du débit d'eau sur le débit d'eau voulu, et relâcher l'interrupteur Marche / Arrêt.



L'arrivée d'eau est automatiquement ouverte resp. coupée avec l'interrupteur Marche / Arrêt de la foreuse. Le débit d'eau peut être réglé en réglant le levier de régulation du débit d'eau, préalablement au forage ou en cours de forage (débit d'eau minimal lorsque le levier de régulation du débit d'eau est fermé : 0,3 l/min env.).

6. Poser prudemment l'anneau du collecteur d'eau sur le point de forage, en veillant à ce que la couronne de forage ne touche pas le matériau support.

7. Faire coïncider les traits de repère du trou de forage avec les quatre repères sur l'anneau du collecteur.

8. S'assurer que la couronne de forage ne touche pas le matériau support et enfoncer à moitié l'interrupteur Marche / Arrêt pour activer le régime d'amorçage.

9. En cas d'un forage vers le haut, attendre jusqu'à ce que la couronne de forage soit remplie d'eau.

- ▶ La couronne de forage ainsi refroidie est alors protégée des endommagements provoqués par un forage à sec.

10. Appuyer légèrement la couronne de forage contre le matériau support.

- ▶ Après la mise en marche (interrupteur Marche / Arrêt enfoncé à moitié), l'appareil de forage fonctionne en régime d'amorçage lent, pour éviter que la couronne de forage ne se décentre au début du travail.

11. Sitôt que la couronne de forage semble prendre régulièrement, enfoncer complètement l'interrupteur Marche / Arrêt.

- ▶ Sitôt que l'interrupteur Marche / Arrêt est complètement enfoncé, la couronne de forage peut tourner à sa vitesse de rotation maximale.



Ajuster la pression d'appui de sorte que la foreuse tourne à la vitesse maximale. Ceci permet ainsi d'atteindre la puissance de forage idéale (l'indicateur de puissance de forage s'allume en vert). Une pression d'appui accrue n'entraîne aucune augmentation de la vitesse de forage (l'indicateur de puissance de forage s'allume en rouge).



Guider la couronne de forage tout droit dans le trou de forage. Une inclinaison de la couronne de forage dans le trou de forage peut diminuer la puissance de forage.



Toujours veiller à ce que le débit d'eau soit approprié. Contrôler l'écoulement de l'eau à l'aide de l'indicateur de passage d'eau.

## 6.2 Forage à guidage sur colonne



### AVERTISSEMENT

**Risque d'électrocution du fait des sorties d'eau !** Il n'est pas possible de monter de protection contre les projections en cas de forage à guidage sur colonne. Par conséquent, l'appareil n'est pas protégé contre les projections en cas de forage à guidage sur colonne vers le haut.

- ▶ **Ne jamais forer vers le haut avec la colonne de forage !**



### AVERTISSEMENT

**Risque d'accident !** Lors de forages à travers un mur ou un plafond, il y a risque que du matériau ou la carotte de forage tombe vers l'arrière ou vers le bas.

- ▶ En cas de forages à travers un mur ou un plafond, sécuriser la zone vers l'arrière ou vers le bas.





**⚠ AVERTISSEMENT**

**Risque de blessures** Danger du fait de la chute de la carotteuse diamant.

- ▶ Lors des travaux de forage horizontal, la colonne de forage doit être en outre sécurisée avec une chaîne.
1. Si un aspirateur de liquides est utilisé, raccorder un dispositif d'aspiration (→ Page 36) et procéder comme indiqué aux étapes 1 à 3 dans la section relative au forage à guidage manuel (→ Page 37).
  2. Brancher la fiche secteur dans la prise, et amorcer le disjoncteur à courant de défaut (PRCD) (voir la section relative au raccordement à l'alimentation électrique et l'arrivée d'eau → Page 36).
  3. Ouvrir le dispositif de blocage du boîtier de guidage.
  4. Faire descendre le boîtier de guidage à l'aide du volant jusqu'à ce que l'anneau du collecteur d'eau repose légèrement sur le matériau support.
  5. Maintenir l'interrupteur Marche / Arrêt de l'appareil enfoncé, régler le levier de régulation du débit d'eau sur le débit d'eau voulu, et relâcher l'interrupteur Marche / Arrêt.

**i** L'arrivée d'eau est automatiquement ouverte resp. coupée avec l'interrupteur Marche / Arrêt de l'appareil. Le débit d'eau peut être réglé à l'aide du levier de régulation du débit d'eau, préalablement au forage ou en cours de forage (débit d'eau minimal lorsque le levier de régulation du débit d'eau est fermé : 0,3 l/min env.).

6. Pour commuter l'appareil avec le blocage d'interrupteur en mode continu, enfoncer complètement l'interrupteur Marche / Arrêt puis actionner la touche de blocage d'interrupteur.
7. À l'aide du volant, tourner la couronne diamantée jusqu'au matériau support.
8. Au début du forage, le temps que la couronne de forage se centre, appuyer légèrement seulement puis renforcer la pression d'appui.
9. Sitôt que la couronne de forage s'est centrée et tourne de manière régulière, augmenter la pression d'appui contre le matériau support.
10. Régler la pression d'appui selon l'indicateur de puissance de forage.

**i** Ajuster la pression d'appui de sorte que l'appareil tourne à la vitesse maximale ; ceci permet ainsi d'atteindre la puissance de forage idéale (l'indicateur de puissance de forage s'allume en vert). Une pression d'appui accrue n'entraîne aucune augmentation de la puissance de forage (l'indicateur de puissance de forage s'allume en rouge).

**i** Toujours surveiller le débit d'eau en cours de forage. Contrôler l'écoulement de l'eau à l'aide du l'indicateur de passage d'eau.

**6.3 Forages avec une couronne de forage 600 mm**

1. Procéder d'abord à un pré-perçage avec une couronne de 300 mm.

**⚠ AVERTISSEMENT**

**Risque de blessures.** Lors du forage à l'aide d'une couronne de forage 600 mm sans pré-perçage, il y a risque de perdre le contrôle de l'appareil, d'endommager l'appareil et de causer des blessures.

- ▶ Il faut toujours procéder à un pré-perçage. Avant de poursuivre le forage, veiller à introduire la couronne de forage 600 mm jusqu'au fond du trou de forage lors du pré-perçage.
2. Changer de couronne de forage, enfoncer la couronne de forage 600 mm avec l'appareil arrêté jusqu'au fond du trou de forage pré-percé.
  3. Poursuivre le forage.

**6.4 Arrêt de l'appareil**

1. Arrêter l'appareil une fois la profondeur de forage souhaitée atteinte ou une fois les trous de passage réalisés. Si le blocage d'interrupteur est utilisé, appuyer sur l'interrupteur Marche / Arrêt pour le débloquer.

**⚠ AVERTISSEMENT**

**Risque de blessures !** Lorsque l'anneau du collecteur d'eau est levé du matériau support alors que la couronne de forage tourne, des carottes de forage risquent d'être projetées hors de la couronne de forage. Il y a alors risque de blessures.

- ▶ Lever seulement l'anneau du collecteur d'eau du matériau support si la couronne de forage est bloquée.
2. Ressortir la couronne de forage hors du trou de forage pendant que l'appareil s'arrête.
    - ▶ L'arrivée d'eau est automatiquement coupée avec l'interrupteur Marche / Arrêt de l'appareil.



## 6.5 Démontage et vidage de la couronne de forage 17

1. Débrancher la fiche de la prise.

### ATTENTION

**Risque de blessures lors du remplacement des outils !** Après utilisation, l'outil peut être très chaud. Il peut présenter des bords tranchants.

- ▶ Toujours porter des gants lors du remplacement des outils.

### AVERTISSEMENT

**Risque de blessures.** La carotte de forage ou une partie de celle-ci peut tomber hors de la couronne de forage.

- ▶ Veiller à ce que la carotte de forage ne tombe pas de manière incontrôlée de la couronne de forage. Enlever les morceaux de carotte de forage de la couronne de forage.
2. Ouvrir le porte-outil. Pour ce faire, tirer le verrouillage du mandrin jusqu'en butée vers le haut.



Tenir l'appareil avec la pointe de la couronne de forage légèrement vers le bas, pour laisser l'eau résiduelle s'écouler hors de la couronne de forage.

3. Tourner la couronne de forage jusqu'en butée.
4. Retirer la couronne de forage hors du mandrin.
5. Faire basculer la couronne de forage hors de l'axe de rallonge du mandrin.
6. Extraire la couronne de forage hors de l'anneau du collecteur d'eau.
7. Bien maintenir la couronne de forage en place et secouer pour faire sortir la carotte de forage par l'arrière hors de la couronne de forage à travers l'emmanchement. Si des bouts de carotte de forage devaient rester dans la couronne de forage, tapoter un objet en matériau tendre (bois, plastique) avec la couronne de forage verticalement vers le bas ou utiliser un fin bâtonnet (p. ex. jauge de profondeur) pour chasser la carotte de forage.
8. Fermer le verrouillage du mandrin.

## 6.6 Retrait de la carotte de forage hors du trou de forage

1. Introduire le briseur de carotte en le faisant légèrement tourner jusqu'en butée dans le trou de forage.



Vérifier que le diamètre du briseur de carotte (accessoire en option) coïncide avec le diamètre de forage de la couronne de forage utilisée.

2. Briser la carotte de forage en exerçant une légère pression latérale sur le briseur de carotte.
3. Retirer le bout brisé hors du trou de forage à l'aide du briseur de carotte.
4. Mesurer la profondeur de trou de forage effectivement atteinte avec une règle graduée.

## 6.7 Élimination des boues de forage

1. Collecter les boues de forage (par ex. au moyen d'un aspirateur de liquides).
2. Faire décanter les boues de forage et éliminer les fractions sèches dans une déchetterie spécialisée pour les gravats.



Un agent flocculant peut accélérer le processus de décantation.

3. Avant de déverser l'eau de forage résiduelle (basique, pH > 7) dans les canalisations, il convient de la neutraliser en ajoutant un neutralisant acide ou en la diluant avec beaucoup d'eau.

## 7 Nettoyage et entretien

### AVERTISSEMENT

**Danger d'électrocution !** Les travaux de nettoyage et d'entretien effectués avec fiche branchée à la prise peuvent entraîner de graves blessures ou brûlures.

- ▶ Toujours retirer la fiche de la prise avant tous travaux de nettoyage et d'entretien !

### Nettoyage

- Éliminer prudemment les saletés récalcitrantes.
- Nettoyer les ouïes d'aération avec précaution au moyen d'une brosse sèche.



- Nettoyer le boîtier uniquement avec un chiffon légèrement humidifié. Ne pas utiliser de nettoyeurs à base de silicone, ceci pourrait attaquer les pièces en plastique.

### Entretien des outils et des pièces métalliques

- ▶ Éliminer les saletés récalcitrantes.
- ▶ Protéger les surfaces des outils et du mandrin de la corrosion en les frottant de temps à autre avec un chiffon imbibé d'huile.
- ▶ La queue de la mèche doit toujours être propre et légèrement huilée.

### Entretien



#### AVERTISSEMENT

**Risque d'électrocution !** Des réparations inappropriées sur des composants électriques peuvent entraîner de graves blessures corporelles et brûlures.

- ▶ Toute réparation des pièces électriques ne doit être effectuée que par un électricien qualifié.
- Vérifier régulièrement qu'aucune pièce visible n'est endommagée et que les organes de commande sont parfaitement opérationnels.
- En cas d'endommagements et/ou de dysfonctionnements, ne pas utiliser l'appareil électrique. Le faire immédiatement réparer par le S.A.V. **Hilti**.
- Sur les versions avec câble d'alimentation échangeable, le câble d'alimentation peut être remplacé par un électricien qualifié.
- Après des travaux de nettoyage et d'entretien, vérifier si tous les équipements de protection sont bien en place et fonctionnent parfaitement.



Pour une utilisation en toute sécurité, utiliser uniquement des pièces de rechange et consommables d'origine. Vous trouverez les pièces de rechange, consommables et accessoires autorisés par Hilti convenant pour votre produit dans le centre **Hilti** ou sous : [www.hilti.group](http://www.hilti.group)

## 7.1 Remplacement des balais de charbon



#### AVERTISSEMENT

**Risque de blessures entraînées par électrocution !**

- ▶ L'appareil ne doit être utilisé, entretenu et réparé que par un personnel autorisé et formé à cet effet ! Ce personnel doit être au courant des dangers inhérents à l'utilisation de l'appareil.



Le témoin lumineux avec le symbole clé à fourche s'allume lorsque les balais de charbon doivent être remplacés.

1. Débrancher la fiche de la prise.
2. Ouvrir les couvercles des balais de charbon de part et d'autre de l'unité moteur.
3. **Bien observer comment sont disposés les balais de charbon et les cordons.** Retirer les balais de charbon usagés de la carotreuse au diamant.
4. Installer les nouveaux balais de charbon exactement comme les anciens balais de charbon étaient disposés avant.



Lors de la mise en place, veiller à ne pas endommager l'isolation du cordon de contrôle.

5. Visser les couvercles des balais de charbon de part et d'autre de l'unité moteur.
6. Laisser les balais de charbon tourner à vide pendant au moins 1 minute sans interruption.
  - ▶ Après environ 1 minute de fonctionnement avec les nouveaux balais de charbon, le témoin lumineux s'éteint.

## 7.2 Nettoyage du verre-regard



Lors du nettoyage du verre-regard, veiller à ne pas salir la place de travail. Lors du nettoyage, aucune saleté ne doit entrer à l'intérieur du débitmètre indicateur de passage d'eau.

1. Desserrer les deux vis du verre-regard à l'aide d'un tournevis Torx TX 15.
2. Soulever le verre-regard.




3. Enlever la roue à aubes régulatrice du débit d'eau, avec son axe.
4. Sortir les particules de saletés sous l'eau courante.
5. Avant de monter le joint d'étanchéité du verre-regard, vérifier qu'il n'est pas endommagé et, si nécessaire, le remplacer.
6. S'assurer que le joint d'étanchéité est repose exactement dans son guide. Sinon, le joint d'étanchéité risque d'être endommagé lors du montage du verre-regard entre les éléments en plastique, et de ne plus être étanche.
7. Réintroduire la roue à aubes avec son axe.
8. Remettre le verre-regard en place dans son guide en le poussant.
9. Mettre en place les vis Torx de fixation du verre-regard et les resserrer.

## 8 Aide au dépannage

En cas de défaillances non énumérées dans ce tableau ou auxquelles il n'est pas possible de remédier sans aide, contacter le S.A.V. Hilti.



### 8.1 La carotteuse au diamant est en état de fonctionner

Défaillance	Causes possibles	Solution
 L'indicateur de maintenance s'allume.	Le seuil d'usure des balais de charbon est presque atteint. Le temps de fonctionnement restant jusqu'à l'arrêt automatique de la carotteuse au diamant est encore de quelques heures.	► Faire remplacer les balais de charbon à la prochaine occasion.
	Les balais de charbon ont été remplacés et doivent tourner à vide.	► Laisser les balais de charbon tourner à vide au moins pendant 1 minute sans interruption.
La carotteuse au diamant n'atteint pas la pleine puissance.	Dérangement du secteur – sous-tension dans l'alimentation secteur.	► Vérifier si d'autres consommateurs sont à l'origine des dérangements sur le secteur ou, le cas échéant, perturbent le fonctionnement du générateur. ► Contrôler la longueur du câble de rallonge électrique.
La couronne de forage diamantée ne tourne pas.	La couronne de forage diamantée est coincée dans le matériau support.	► Guider la carotteuse au diamant tout droit. ► Desserrage de la couronne de forage diamantée à l'aide d'une clé à fourche : Débrancher la fiche de la prise. Saisir la couronne de forage diamantée près de l'emmanchement à l'aide d'une clé à fourche appropriée et desserrer la couronne de forage diamantée en la tournant.
La vitesse de forage diminue.	Profondeur de forage maximale atteinte.	► Retirer la carotte et utiliser une couronne de forage plus longue.
	Carotte coincée dans la couronne de forage diamantée.	► Retirer la carotte.
	Spécification erronée du matériau support.	► Choisir une spécification de couronne diamantée plus en adéquation.
	Forte proportion d'acier (reconnaissable à l'eau claire mêlée à des copeaux métalliques).	► Choisir une spécification de couronne diamantée plus en adéquation.




Défaillance	Causes possibles	Solution
La vitesse de forage diminue.	Couronne de forage diamantée défectueuse.	► Vérifier que la couronne de forage diamantée n'est pas endommagée et la remplacer le cas échéant.
	Couronne de forage diamantée polie.	► Affûter la couronne de forage diamantée sur un banc d'affûtage.
	Quantité d'eau trop élevée.	► Réduire la quantité d'eau au moyen du dispositif de régulation du débit d'eau.
	Quantité d'eau insuffisante.	► Contrôler l'arrivée d'eau vers la couronne de forage diamantée resp. augmenter la quantité d'eau au moyen du dispositif de régulation du débit d'eau. ► Contrôler l'élément filtrant au niveau du raccordement d'eau.
	Emmanchement encrassé ou pas bien verrouillé.	► Nettoyer l'emmanchement et mettre la couronne de forage diamantée bien en place.
Impossible d'insérer la couronne de forage diamantée dans le porte-outil.	Emmanchement / porte-outil encrassé ou endommagé.	► Nettoyer l'emmanchement resp. le porte-outil, ou le remplacer.
	Levier du porte-outil pas entièrement ouvert.	► Ouvrir le levier jusqu'en butée.
Jeu trop important de la couronne de forage diamantée.	Emmanchement défectueux.	► Contrôler l'emmanchement et le remplacer le cas échéant.
	Levier du porte-outil non fermé.	► Fermer le levier du porte-outil.
Absence de débit d'eau.	Filtre ou débitmètre indicateur de passage d'eau obturé.	► Retirer le filtre ou le débitmètre indicateur de passage d'eau et le rincer.
En cours de fonctionnement, de l'eau sort du porte-outil.	Emmanchement / porte-outil encrassé.	► Nettoyer l'emmanchement resp. le porte-outil.
	Anneau d'étanchéité du porte-outil défectueux.	► Vérifier l'anneau d'étanchéité et le remplacer au besoin.


## 8.2 La carotteuse au diamant n'est pas en état de fonctionner

Défaillance	Causes possibles	Solution
 L'indicateur de maintenance n'indique rien.	Disjoncteur PRCD non enclenché.	► Vérifier que le disjoncteur PRCD est en bon état et le mettre en marche.
	Coupure d'alimentation électrique.	► Brancher un autre appareil électrique et vérifier s'il fonctionne. ► Contrôler les fiches de raccordement, le câble d'alimentation secteur, le câble électrique et le fusible de secteur.
	Présence d'eau dans le moteur.	► Laisser complètement sécher la carotteuse au diamant dans un endroit chaud et sec.
 L'indicateur de maintenance s'allume.	Balais de charbon usés.	► Faire remplacer les balais de charbon. → Page 41



Défaillance	Causes possibles	Solution
 <p>L'indicateur de maintenance clignote.</p>	<p>Surchauffe du moteur (p. ex. à cause de frottements excessifs avec la paroi et/ou d'une pression d'appui trop élevée).</p>	<ul style="list-style-type: none"> <li>▶ Attendre quelques minutes le temps que le moteur refroidisse, ou laisser tourner à vide la carotteuse au diamant pour accélérer le refroidissement.</li> <li>▶ Arrêter puis remettre la carotteuse au diamant en marche.</li> <li>▶ Guider la carotteuse au diamant tout droit et/ou réduire la pression d'appui.</li> </ul>

## 9 Recyclage

 Les appareils **Hilti** sont fabriqués pour une grande partie en matériaux recyclables. Le recyclage présuppose un tri adéquat des matériaux. **Hilti** reprend les appareils usagés dans de nombreux pays en vue de leur recyclage. Consulter le service clients **Hilti** ou un conseiller commercial.



- ▶ Ne pas jeter les appareils électriques, électroniques et accus dans les ordures ménagères !

### 9.1 Élimination des boues de forage

En raison de la protection de l'environnement, les boues de forage ne doivent pas être versées dans les cours d'eau ou les canalisations sans prétraitement approprié.

- ▶ Veuillez vous renseigner auprès de votre administration locale sur les directives en vigueur en la matière.
- ▶ Éliminer les boues de forage. → Page 40

## 10 Garantie constructeur

- ▶ En cas de questions sur les conditions de garantie, veuillez vous adresser à votre partenaire **Hilti** local.

# Manual de instrucciones original

## 1 Información sobre la documentación

### 1.1 Acerca de esta documentación

- Lea detenidamente esta documentación antes de la puesta en servicio. Ello es imprescindible para un trabajo seguro y un manejo sin problemas.
- Respete las indicaciones de seguridad y las advertencias presentes en esta documentación y en el producto.
- Conserve este manual de instrucciones siempre junto con el producto y entregue el producto a otras personas siempre acompañado del manual.

### 1.2 Explicación de símbolos

#### 1.2.1 Avisos

Las advertencias de seguridad advierten de peligros derivados del manejo del producto. Se utilizan las siguientes palabras de peligro:



**PELIGRO**

**PELIGRO !**

- ▶ Término utilizado para un peligro inminente que puede ocasionar lesiones graves o incluso la muerte.



## ADVERTENCIA

### ADVERTENCIA !

- ▶ Término utilizado para un posible peligro que puede ocasionar lesiones graves o incluso la muerte.





## PRECAUCIÓN

### PRECAUCIÓN !

- ▶ Término utilizado para una posible situación peligrosa que puede ocasionar lesiones o daños materiales.



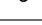

### 1.2.2 Símbolos en la documentación

En esta documentación se utilizan los siguientes símbolos:

	Leer el manual de instrucciones antes del uso
	Indicaciones de uso y demás información de interés
	Manejo con materiales reutilizables
	No tirar las herramientas eléctricas y las baterías junto con los desperdicios domésticos

### 1.2.3 Símbolos en las figuras









En las figuras se utilizan los siguientes símbolos:

	Estos números hacen referencia a la figura correspondiente incluida al principio de este manual
	La numeración describe el orden de los pasos de trabajo en la imagen y puede ser diferente de los pasos descritos en el texto
	Los números de posición se utilizan en la figura <b>Vista general</b> y los números de la leyenda están explicados en el apartado <b>Vista general del producto</b>
	Preste especial atención a este símbolo cuando utilice el producto.

## 1.3 Símbolos de productos

### 1.3.1 Símbolos en el producto

En el producto se utilizan los siguientes símbolos:

	Advertencia de tensión eléctrica peligrosa
	Advertencia ante superficie caliente
/min	Revoluciones por minuto
$n_0$	Número de referencia de revoluciones en vacío
	Utilizar protección para los ojos
	Utilizar casco de protección
	Utilizar protección para los oídos
	Utilizar guantes de protección
	Utilizar zapatos de protección
	Símbolo del cerrojo



	Indicador de funcionamiento
	Indicador de la capacidad de perforación
	Transferencia de datos inalámbrica

#### 1.4 Información del producto

Los productos han sido diseñados para usuarios profesionales y solo personal autorizado y debidamente formado puede utilizarlos y llevar a cabo su mantenimiento y conservación. Este personal debe estar especialmente instruido en lo referente a los riesgos de uso. La utilización del producto y sus dispositivos auxiliares puede conllevar riesgos para el usuario en caso de manejarse de forma inadecuada por personal no cualificado o utilizarse para usos diferentes a los que están destinados.

La denominación del modelo y el número de serie están indicados en la placa de identificación.

- ▶ Escriba el número de serie en la siguiente tabla. Necesitará los datos del producto para realizar consultas a nuestros representantes o al Departamento de Servicio Técnico.

##### Datos del producto

Modelo:	DD 30-W
Generación:	01
N.º de serie:	

#### 1.5 Declaración de conformidad

Bajo nuestra exclusiva responsabilidad, declaramos que el producto aquí descrito cumple con las directivas y normas vigentes. Encontrará una reproducción del organismo certificador al final de esta documentación. La documentación técnica se encuentra depositada aquí:

Hilti Entwicklungsgesellschaft mbH | Zulassung Geräte | Hiltistraße 6 | 86916 Kaufering, DE

## 2 Seguridad

### 2.1 Indicaciones generales de seguridad para herramientas eléctricas

**⚠ ADVERTENCIA** Lea con atención todas las indicaciones de seguridad, instrucciones, ilustraciones y datos técnicos correspondientes a esta herramienta eléctrica. La negligencia en el cumplimiento de las instrucciones que se describen a continuación podría provocar descargas eléctricas, incendios o lesiones graves.

**Conserve todas las instrucciones e indicaciones de seguridad para futuras consultas.**

El término «herramienta eléctrica» empleado en las indicaciones de seguridad se refiere a herramientas eléctricas portátiles, ya sea con cable de red o sin cable, en caso de ser accionadas por batería.

#### Seguridad en el puesto de trabajo

- ▶ **Mantenga su área de trabajo limpia y bien iluminada.** El desorden o una iluminación deficiente de las zonas de trabajo pueden provocar accidentes.
- ▶ **No utilice la herramienta eléctrica en un entorno con peligro de explosión en el que se encuentren líquidos, gases o polvos inflamables.** Las herramientas eléctricas producen chispas que pueden llegar a inflamar los materiales en polvo o vapores.
- ▶ **Mantenga alejados a los niños y otras personas de su puesto de trabajo al emplear la herramienta eléctrica.** Una distracción le puede hacer perder el control sobre la herramienta.

#### Seguridad eléctrica

- ▶ **El enchufe de la herramienta eléctrica debe corresponder a la toma de corriente utilizada. No se deberá modificar el enchufe en forma alguna. No utilice enchufes adaptadores para las herramientas eléctricas con puesta a tierra.** Los enchufes sin modificar adecuados a las respectivas tomas de corriente reducen el riesgo de descarga eléctrica.
- ▶ **Evite el contacto corporal con superficies que tengan puesta a tierra, como pueden ser tubos, calefacciones, cocinas y frigoríficos.** El riesgo a quedar expuesto a una sacudida eléctrica es mayor si su cuerpo tiene contacto con tierra.
- ▶ **No exponga las herramientas eléctricas a la lluvia y evite que penetren líquidos en su interior.** El riesgo de recibir descargas eléctricas aumenta si penetra agua en la herramienta eléctrica.





- ▶ **No utilice el cable de conexión para transportar o colgar la herramienta eléctrica ni tire de él para extraer el enchufe de la toma de corriente. Mantenga el cable de conexión alejado de fuentes de calor, aceite, aristas afiladas o piezas móviles.** Los cables de conexión dañados o enredados pueden provocar descargas eléctricas.
- ▶ **Cuando trabaje al aire libre con una herramienta eléctrica, utilice exclusivamente un alargador adecuado para exteriores.** La utilización de un alargador adecuado para su uso en exteriores evita el riesgo de una descarga eléctrica.
- ▶ **Cuando no pueda evitarse el uso de la herramienta eléctrica en un entorno húmedo, utilice un interruptor de corriente de defecto.** La utilización de un interruptor de corriente de defecto evita el riesgo de una descarga eléctrica.

#### Seguridad de las personas

- ▶ **Permanezca atento, preste atención durante el trabajo y utilice la herramienta eléctrica con prudencia. No utilice una herramienta eléctrica si está cansado, ni tampoco después de haber consumido alcohol, drogas o medicamentos.** Un momento de descuido al utilizar la herramienta eléctrica podría producir graves lesiones.
- ▶ **Utilice el equipo de seguridad personal adecuado y lleve siempre gafas protectoras.** El riesgo de lesiones se reduce considerablemente si, según el tipo y la aplicación de la herramienta eléctrica empleada, se utiliza un equipo de seguridad personal adecuado como una mascarilla antipolvo, zapatos de seguridad con suela antideslizante, casco de protección o protección para los oídos.
- ▶ **Evite una puesta en servicio fortuita de la herramienta. Asegúrese de que la herramienta eléctrica está apagada antes de alzarla, transportarla, conectarla a la toma de corriente o insertar la batería.** Si transporta la herramienta eléctrica sujetándola por el interruptor de conexión/desconexión o si introduce el enchufe en la toma de corriente con la herramienta conectada, podría producirse un accidente.
- ▶ **Retire las herramientas de ajuste o llaves fijas antes de conectar la herramienta eléctrica.** Una herramienta o llave colocada en una pieza giratoria puede producir lesiones al ponerse en funcionamiento.
- ▶ **Evite adoptar posturas forzadas. Procure que la postura sea estable y manténgase siempre en equilibrio.** De esta forma podrá controlar mejor la herramienta eléctrica en caso de presentarse una situación inesperada.
- ▶ **Utilice ropa adecuada. No utilice vestimenta amplia ni joyas. Mantenga su pelo, vestimenta y guantes alejados de las piezas móviles.** La vestimenta suelta, las joyas y el pelo largo se pueden enganchar con las piezas en movimiento.
- ▶ **Siempre que sea posible montar equipos de aspiración o captación de polvo, asegúrese de que están conectados y de que se utilizan correctamente.** El uso de un sistema de aspiración de polvo reduce los riesgos derivados del polvo.
- ▶ **No se crea a salvo de cualquier riesgo ni pase por alto ninguna de las normas de seguridad relativas a las herramientas eléctricas, aun cuando esté familiarizado con la herramienta eléctrica y tenga larga experiencia en su uso.** Una actuación negligente puede provocar lesiones graves en cuestión de segundos.

#### Uso y manejo de la herramienta eléctrica

- ▶ **No sobrecargue la herramienta. Utilice la herramienta eléctrica adecuada para el trabajo que se dispone a realizar.** Con la herramienta eléctrica apropiada podrá trabajar mejor y de modo más seguro dentro del margen de potencia indicado.
- ▶ **No utilice herramientas eléctricas con el interruptor defectuoso.** Las herramientas eléctricas que no se puedan conectar o desconectar son peligrosas y deben repararse.
- ▶ **Extraiga el enchufe de la toma de corriente o retire la batería extraíble antes de efectuar cualquier ajuste en la herramienta, cambiar accesorios o en caso de no utilizar la herramienta durante un tiempo prolongado.** Esta medida preventiva evita el riesgo de arranque accidental de la herramienta eléctrica.
- ▶ **Guarde las herramientas eléctricas que no utilice fuera del alcance de los niños. No permita utilizar la herramienta a ninguna persona que no esté familiarizada con ella o que no haya leído este manual de instrucciones.** Las herramientas eléctricas utilizadas por personas inexpertas son peligrosas.
- ▶ **Cuide su herramienta eléctrica y los accesorios adecuadamente. Compruebe si las piezas móviles de la herramienta funcionan correctamente y sin atascarse, y si existen piezas rotas o deterioradas que pudieran afectar al funcionamiento de la herramienta eléctrica. Encargue la reparación de las piezas defectuosas antes de usar la herramienta eléctrica.** Muchos accidentes son consecuencia de un mantenimiento inadecuado de la herramienta eléctrica.
- ▶ **Mantenga los útiles limpios y afilados.** Las herramientas de corte bien cuidadas y con aristas afiladas se atascan menos y se guían con más facilidad.



- ▶ **Utilice la herramienta eléctrica, los accesorios, útiles de inserción, etc., de acuerdo con estas instrucciones. Para ello, tenga en cuenta las condiciones de trabajo y la tarea que se va a realizar.** El uso de herramientas eléctricas para trabajos diferentes de aquellos para los que han sido concebidas puede resultar peligroso.
- ▶ **Mantenga las empuñaduras y las superficies de contacto secas, limpias y sin residuos de aceite o grasa.** Las empuñaduras y superficies de contacto resbaladizas impiden manejar y controlar la herramienta eléctrica con seguridad en situaciones imprevistas.

#### Servicio Técnico

- ▶ **Solicite que un profesional lleve a cabo la reparación de su herramienta eléctrica y que utilice exclusivamente piezas de repuesto originales.** Solamente así se garantiza la seguridad de la herramienta eléctrica.

## 2.2 Indicaciones de seguridad para perforadoras de diamante

- ▶ **Al realizar trabajos de perforación que requieran el empleo de agua, evacue el agua conduciéndola fuera del área de trabajo o utilice un dispositivo colector de líquidos.** Este tipo de medidas de precaución contribuyen a mantener seca el área de trabajo y reducir el riesgo de descargas eléctricas.
- ▶ **Sujete la herramienta eléctrica por las empuñaduras aisladas cuando realice trabajos en los que la herramienta de corte pueda entrar en contacto con cables eléctricos ocultos o con el propio cable de conexión de la herramienta.** El contacto de la herramienta de corte con cables conductores puede traspasar la conductividad a las partes metálicas de la herramienta eléctrica y provocar descargas eléctricas.
- ▶ **Utilice protección para los oídos al perforar con diamante.** El ruido constante puede reducir la capacidad auditiva.
- ▶ **En caso de que el útil de inserción se bloquee, interrumpa el avance y desconecte la herramienta.** Examine el motivo del atasco y elimine la causa de que se bloqueen los útiles de inserción.
- ▶ **Si quiere volver a arrancar una perforadora de diamante que esté insertada en la pieza de trabajo, antes de conectarla compruebe si el útil de inserción gira libremente.** Si el útil de inserción está atascado, es posible que no gire, lo que puede provocar una sobrecarga de la herramienta o que la perforadora de diamante se desprenda de la pieza de trabajo.
- ▶ **Si la fijación del soporte a la pieza de trabajo se efectúa mediante taco y tornillos, asegúrese de que el anclaje utilizado tiene capacidad para retener la máquina con seguridad durante su uso.** Si la pieza de trabajo no presenta resistencia o es porosa, puede tener como consecuencia que el taco se salga y el soporte se suelte de la pieza de trabajo.
- ▶ **Si la fijación del soporte a la pieza de trabajo se efectúa mediante una placa de vacío, asegúrese de que la superficie sea lisa y esté limpia y sin porosidades. No fije el soporte a superficies laminadas, como pueden ser azulejos o revestimientos de materiales compuestos.** Si la superficie de la pieza de trabajo no es lisa y plana, o no está correctamente fijada, la placa de vacío podría soltarse de la pieza de trabajo.
- ▶ **Antes de comenzar a perforar y durante la perforación, asegúrese de que la presión negativa es suficiente.** Si la presión negativa no es suficiente, la placa de vacío podría soltarse de la pieza de trabajo.
- ▶ **No realice nunca perforaciones por encima de la cabeza o a través de la pared si la máquina está fijada solamente con la placa de vacío.** Si se produce una pérdida de vacío, la placa de vacío se soltará de la pieza de trabajo.
- ▶ **Al perforar a través de paredes o techos, asegúrese de que al otro lado están protegidas tanto las personas como el área de trabajo.** La corona de perforación podría atravesar y sobresalir del taladro y el testigo caer al otro lado.

#### Válido únicamente para el modo de funcionamiento manual:

- ▶ **En los trabajos de perforación por encima de la cabeza utilice siempre el dispositivo colector de líquidos que se indica en el manual de instrucciones. Asegúrese de que no penetra agua en la herramienta.** El riesgo de recibir descargas eléctricas aumenta si penetra agua en la herramienta eléctrica.

#### Válido únicamente para el modo de funcionamiento con soporte:

- ▶ **No utilice esta herramienta para trabajos de perforación por encima de la cabeza con admisión de agua.** El riesgo de recibir descargas eléctricas aumenta si penetra agua en la herramienta eléctrica.

## 2.3 Indicaciones de seguridad adicionales

#### Seguridad de las personas

- ▶ **En modo manual, sujete siempre la herramienta con ambas manos por las empuñaduras previstas.**



- ▶ La herramienta y la corona perforadora de diamante son pesadas. **Pueden aplastarse partes del cuerpo. Utilice un casco de protección, guantes de protección y zapatos de protección.**
- ▶ **Mantenga las empuñaduras secas, limpias y sin residuos de aceite o grasa.**
- ▶ **Efectúe pausas durante el trabajo, así como ejercicios de relajación y estiramiento de los dedos para mejorar la circulación de estos.**
- ▶ **Evite tocar las piezas en movimiento. No conecte la herramienta fuera de la zona de trabajo.** Si se tocan las piezas en movimiento, en especial los útiles de inserción rotativos, pueden ocasionarse lesiones.
- ▶ **Al trabajar, mantenga siempre el cable de red, el alargador y el tubo de aspiración por detrás de la herramienta.** De esta forma se evita el peligro de tropiezo con el cable mientras se trabaja.
- ▶ **Evite el contacto de la piel y los ojos con el lodo de perforación. Utilice guantes de protección y gafas protectoras.**
- ▶ **Es conveniente advertir a los niños de que no deben jugar con la herramienta.**
- ▶ **La herramienta no es adecuada para personas con poca fuerza a las que no se haya instruido. Mantenga la herramienta fuera del alcance de los niños.**
- ▶ El útil puede calentarse por el uso y al afilarlo. **Como consecuencia pueden producirse quemaduras y cortes. Utilice guantes de protección cuando trabaje con el útil.**
- ▶ **Coloque la herramienta en el soporte de forma segura sobre el suelo durante las pausas de trabajo.**
- ▶ **Nunca efectúe manipulaciones o modificaciones en la herramienta.**

### Protección contra polvo

El polvo procedente de materiales como pinturas con plomo, determinadas maderas, minerales y metal puede ser nocivo para la salud. El contacto con el polvo o su inhalación puede provocar reacciones alérgicas o asfíxia al usuario o a personas que se encuentren en su entorno. Existen determinadas clases de polvo, como pueden ser el de roble o el de haya, catalogadas como cancerígenas, especialmente si se encuentra mezclado con aditivos usados en el tratamiento de la madera (cromato, agente protector para la madera).

- ▶ **Utilice siempre que sea posible un sistema efectivo de aspiración de polvo. Para ello, utilice un aspirador de polvo móvil apto para madera y polvo mineral recomendado por Hilti y compatible con esta herramienta eléctrica. Procure una buena ventilación del lugar de trabajo. Se recomienda utilizar una mascarilla de protección con filtro de la clase P2. Respete la normativa vigente en su país concerniente al procesamiento de los materiales de trabajo.**

### Manipulación y utilización segura de las herramientas eléctricas

- ▶ **Asegure la pieza de trabajo. Utilice dispositivos de sujeción o un tornillo de banco para sujetar la pieza de trabajo.** De esa forma estará sujeta de modo más seguro que con la mano y, por otro lado, tendrá las dos manos libres para manejar la herramienta.
- ▶ **Compruebe si los útiles disponen del sistema de inserción adecuado para la herramienta y si están enclavados en el portaútiles conforme a las prescripciones.**
- ▶ **Si se produce una interrupción de la corriente, desconecte la herramienta eléctrica y extraiga el enchufe de red para evitar que se ponga en marcha accidentalmente cuando vuelva la corriente.**
- ▶ **Utilice la herramienta solo si no presenta obstrucciones en las rejillas de ventilación.**

### Seguridad eléctrica

- ▶ **Compruebe antes de empezar a trabajar si la zona de trabajo oculta cables eléctricos, tuberías de gas o cañerías de agua, por ejemplo, con un detector de metales.** Las partes metálicas exteriores de la herramienta pueden pasar a conducir electricidad si, por ejemplo, se ha dañado por error un cable eléctrico. Dichas partes suponen un peligro serio por el riesgo de una descarga eléctrica.
- ▶ **No utilice jamás la herramienta sin el PRCD suministrado (para herramientas sin PRCD, nunca sin transformador de separación). Compruebe el PRCD antes de su uso.**
- ▶ **Compruebe con regularidad el cable de conexión de la herramienta y, en caso de que presentara daños, encargue su sustitución a un profesional experto en la materia. Si el cable de conexión de la herramienta eléctrica está dañado, debe reemplazarse por un cable especial homologado que encontrará en nuestro Servicio Posventa. Inspeccione regularmente los alargadores y sustitúyalos en caso de que estuvieran dañados. Si se daña el cable de red o el alargador durante el trabajo, evite tocar el cable. Extraiga el enchufe de red de la toma de corriente. Los cables de conexión y los alargadores dañados suponen un peligro, pues pueden ocasionar una descarga eléctrica.**
- ▶ **Evite el contacto corporal con superficies que tengan puesta a tierra, como pueden ser tubos, calefacciones, cocinas y frigoríficos.** El riesgo a quedar expuesto a una sacudida eléctrica es mayor si su cuerpo tiene contacto con tierra.
- ▶ **No utilice enchufes adaptadores.**

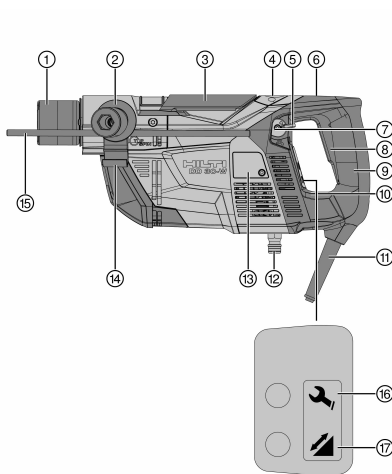


## Lugar de trabajo

- ▶ **Procure una buena ventilación del lugar de trabajo.** Los lugares de trabajo mal ventilados pueden resultar nocivos para la salud debido a la carga de polvo.
- ▶ **No taladre en materiales perjudiciales para la salud (p. ej., amianto).**
- ▶ **Encargue la autorización de los trabajos de perforación a la dirección de la obra.** Las perforaciones en edificios y otras estructuras pueden influir en la estática, especialmente al seccionar hierros de armadura o elementos portadores.
- ▶ Se recomienda el uso de guantes de goma y calzado antideslizante para los trabajos al aire libre.
- ▶ **Cuando utilice la herramienta, lleve siempre gafas protectoras apropiadas, casco de protección, protección para los oídos, guantes de protección y zapatos de protección.** También las personas que se encuentren alrededor deben llevar el equipo de seguridad personal adecuado.

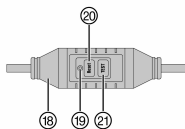
## 3 Descripción

### 3.1 Vista general del producto 1



- ① Portaútiles
- ② Empuñadura lateral **DD-SH-30**
- ③ Bloqueo del portaútiles
- ④ Indicador del caudal de agua
- ⑤ Palanca para la regulación del caudal de agua
- ⑥ Bloqueo del interruptor para el modo de funcionamiento con soporte
- ⑦ Nivel esférico de burbuja para taladrado vertical
- ⑧ Interruptor de conexión y desconexión
- ⑨ Empuñadura
- ⑩ Nivel de barra para taladrado horizontal
- ⑪ Cable de red, incl. PRCD
- ⑫ Toma del agua
- ⑬ Cubierta de las escobillas de carbón
- ⑭ Soporte para tubo de aspiración
- ⑮ Tope de profundidad para el taladrado con guiado manual
- ⑯ Indicador de funcionamiento
- ⑰ Indicador de la capacidad de perforación

### 3.2 Interruptor de corriente de defecto (PRCD) 2



- ⑱ PRCD en el cable de red
- ⑲ Indicación del PRCD
- ⑳ Tecla **Reset** del PRCD
- ㉑ Tecla **TEST** del PRCD

### 3.3 Sistema colector de agua 3

- ㉒ Interruptor de ajuste de la longitud de la toma de agua
- ㉓ Botón para el bloqueo de la toma de agua
- ㉔ Dispositivo de toma de agua

### 3.4 Accesorios 4

- ㉕ Casquillo de taladrado
- ㉖ Anillo colector
- ㉗ Manguera colector
- ㉘ Protección contra salpicaduras



### 3.5 Accesorios para el soporte DD-ST 30 5

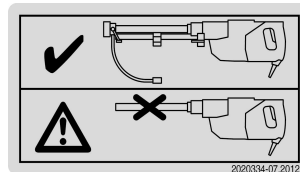
- |                             |                                   |
|-----------------------------|-----------------------------------|
| 29) Tornillo de tope        | 38) Palanca de tensado            |
| 30) Columna                 | 39) Conexión de vacío             |
| 31) Mordaza de sujeción     | 40) Manómetro                     |
| 32) Tornillo de tope        | 41) Junta de vacío                |
| 33) Chaveta                 | 42) Placa adaptadora              |
| 34) Rueda manual            | 43) Placa base al vacío           |
| 35) Carro                   | 44) Tornillos de nivelación       |
| 36) Inmovilizador del carro | 45) Válvula de aireación al vacío |
| 37) Empuñadura              |                                   |

### 3.6 Uso conforme a las prescripciones

El producto descrito es un sistema de perforación de diamante eléctrico con recuperación de testigo. Está indicado para realizar perforaciones en húmedo, de forma manual o con soporte, en hormigón y en superficies minerales. Puede fijar el soporte a la pieza de trabajo con un anclaje adecuado (accesorio) o con la placa base al vacío (accesorio).

- ▶ Utilice la herramienta solo con los valores de tensión de alimentación y frecuencia que se especifican en la placa de identificación.
- ▶ En función de la aplicación y dirección de perforación (véase la tabla → página 51) es necesario conectar el sistema colector de agua de la perforadora de diamante con recuperación de testigo a un aspirador universal recomendado por Hilti y seleccionar el equipamiento adecuado.

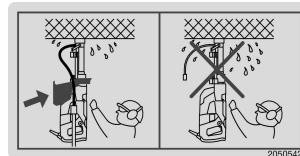
Antes de realizar cualquier tipo de perforación debe estar montado el sistema colector de agua, debe haberse seleccionado una combinación correcta de casquillo de taladrado y corona de perforación, además de haberse ajustado correctamente la longitud.



Etiquetas adhesivas del producto

Solo está permitido taladrar hacia arriba si se cuenta con sistema de aspiración de agua y protección contra salpicaduras adicional.

Como no se puede montar la protección contra salpicaduras cuando se utiliza la herramienta con soporte, no está permitido taladrar hacia arriba cuando se guíe la herramienta con soporte.



Etiquetas adhesivas del producto

### 3.7 Usos indebidos no permitidos

- Este producto no está indicado para el tratamiento de materiales nocivos para la salud.
- No se permite taladrar materiales que generen polvo conductor de corriente (p. ej., magnesio).
- No está permitido perforar en seco.

### 3.8 Equipamientos para aplicaciones específicas

#### Equipamiento necesario en distintas aplicaciones/direcciones de perforación

Aplicación	Dirección de perforación	Equipamiento
Con guiado manual	Horizontal y hacia abajo	Con/sin aspiración, sin protección contra salpicaduras
Con guiado manual	Hacia arriba	Con aspiración y protección contra salpicaduras
Manejo de la herramienta sobre el soporte, fijación con la placa base al vacío	Hacia abajo	Con/sin aspiración, sin protección contra salpicaduras



Aplicación	Dirección de perforación	Equipamiento
Manejo de la herramienta sobre el soporte, fijación con la placa base al vacío	Horizontal	Con/sin aspiración, sin protección contra salpicaduras y con medidas de seguridad adicionales en el soporte
Manejo de la herramienta sobre el soporte, fijación con anclaje	Hacia abajo y horizontal	Con/sin aspiración, sin protección contra salpicaduras

### 3.9 Indicador de funcionamiento

Indicador luminoso/estado de servicio	Estado de servicio
Encendido en rojo/la herramienta está en funcionamiento	Las escobillas de carbón están muy desgastadas. Cuando se enciende este indicador se puede continuar trabajando durante algunas horas antes de que la herramienta se apague automáticamente. Cambie las escobillas de carbón a tiempo para que la herramienta siempre esté disponible para trabajar.
Encendido en rojo/la herramienta no está en funcionamiento	Sustituya las escobillas de carbón.
Parpadea en rojo	Fallo temporal, véase «Ayuda en caso de averías»

### 3.10 Indicador de la capacidad de perforación

Indicador luminoso	Presión de apriete
Naranja	Es insuficiente
Verde	Valor óptimo
Rojo	Es demasiado elevada

### 3.11 Niveles de velocidad

La herramienta cuenta con dos niveles de velocidad: una función de inicio de perforación con velocidad baja y una función de perforación con velocidad máxima.

Cuando el interruptor de conexión y desconexión solo se pulsa hasta la mitad, solamente se activa la función de inicio de perforación. Con esa velocidad debería ajustarse el caudal de agua. La velocidad rápida de la función de perforación se alcanza cuando el interruptor de conexión y desconexión está pulsado del todo.

### 3.12 Suministro

Herramienta con empuñadura lateral y el portaútiles, manual de instrucciones.

Encontrará otros productos del sistema autorizados para su producto en su **Hilti Store** o en Internet, en: [www.hilti.group](http://www.hilti.group)

### 3.13 Herramientas

Denominación	Abreviatura
Corona perforadora de diamante	DD-C
Herramienta sacatestigos	DD-CB

### 3.14 Accesorios

Denominación	Abreviatura
Soporte	DD-ST 30
Coronas de perforación	DD-C, diámetro de 8 a 35 mm
Juego de accesorios para fijación en soporte con anclaje	DD M12 S
Tope de profundidad para soporte	DD-ST 30-ES
Protección contra salpicaduras	DD-30-W-CV



## 4 Datos técnicos

### 4.1 Perforadora de diamante

Si se utiliza con un generador o transformador, la potencia útil debe ser al menos el doble de la potencia nominal indicada en la placa de identificación de la herramienta. La tensión de servicio del transformador o del generador debe encontrarse en todo momento entre un +5 % y un -15 % de la tensión nominal de la herramienta.

Los datos son válidos para una tensión de referencia de 120 V. Para tensiones distintas y variantes específicas de cada país, los datos pueden variar. La tensión nominal y la frecuencia, así como la potencia nominal o la intensidad nominal, figuran en la placa de identificación.

<b>Peso</b>	16,8 lb (7,6 kg)
<b>Diámetro de la corona de perforación</b>	0,3 in ... 1,4 in (8 mm ... 35 mm)
<b>Clase de protección</b>	I
<b>Número de referencia de revoluciones en vacío</b>	9.200 rpm

### 4.2 Tensión nominal

Tensión nominal

Tensión nominal	120 V
Frecuencia de red [Hz]	60
Intensidad nominal [A]	15,0

## 5 Preparación del trabajo

### 5.1 Antes de comenzar

- ▶ No conecte la herramienta a la red eléctrica durante la fase de preparación.



#### ADVERTENCIA

**Posibles daños en el edificio por trabajos de perforación.** Las perforaciones en edificios y otras estructuras pueden influir en la estática, especialmente al seccionar hierros de armadura o elementos portadores.

- ▶ Encargue la autorización de los trabajos de perforación a la dirección de la obra.



#### ADVERTENCIA

**Riesgo de descarga eléctrica.** Peligro de accidente al taladrar por error en cables eléctricos, conductos de gas y cañerías de agua. Si se perforan cables eléctricos, las piezas exteriores de metal del sistema de perforación podrían convertirse en elementos conductores de corriente.

- ▶ Antes de iniciar la perforación, analice la zona de trabajo, por ejemplo con un detector de metales, para comprobar si hay cables eléctricos, conductos de gas o cañerías de agua.
- ▶ Antes de cortar hierros de armadura, solicite el permiso del ingeniero de proyectos de estructuras responsable.
- ▶ Asegúrese de que la tensión de alimentación coincide con los datos que aparecen en la placa de identificación.
- ▶ Extraiga el enchufe de red de la toma de corriente antes de desplazarse a otro lugar, por ejemplo, antes de llevar la herramienta hasta el siguiente punto de perforación.
- ▶ Tienda el cable de red y las mangueras de modo que no puedan entrar nunca en contacto con las piezas giratorias.
- ▶ No cuelgue la perforadora de diamante o el soporte en una grúa.
- ▶ Antes de utilizar una bomba de vacío, familiarícese con el contenido del manual de instrucciones y siga las indicaciones.
- ▶ Asegúrese de que el indicador del manómetro permanece en la zona verde antes y durante el taladrado.
- ▶ Compruebe si el anillo cortante tiene una altura de al menos 2 mm. **Si este no fuera el caso, cambie la corona de perforación, ya que de lo contrario puede producirse el atasco de la corona de perforación en el taladro.**



- ▶ A fin de evitar lesiones, utilice solo coronas de perforación **DD-C** originales y accesorios originales de Hilti para **DD 30-W**.

## 5.2 Preparación para el taladrado de guiado manual

### 5.2.1 Colocación de la empuñadura lateral 6

1. Extraiga el enchufe de red de la toma de corriente.
2. Abra el soporte de la empuñadura lateral girando la empuñadura.
3. Fije la empuñadura lateral en la posición deseada.



Junto con la empuñadura lateral, puede colocar también un tope de profundidad (→ página 54).

4. Fije la empuñadura lateral y asegúrese de que no pueda girarse.

### 5.2.2 Montaje del tope de profundidad 7

1. Extraiga el enchufe de red de la toma de corriente.
2. Abra el soporte de la empuñadura lateral girando la empuñadura.
3. Introduzca el tope de profundidad desde delante en la abertura correspondiente situada en la empuñadura lateral.
4. Coloque el tope a la profundidad deseada.
5. Fije el tope de profundidad apretando la empuñadura lateral.

### 5.2.3 Montaje de la protección contra salpicaduras 8



#### ADVERTENCIA

**Peligro de descarga eléctrica.** Si se efectúan trabajos de taladrado manual hacia arriba sin aplicar las medidas de protección previstas puede penetrar agua en la herramienta, con el consiguiente peligro de descarga eléctrica.

- ▶ **Utilice siempre un sistema colector de agua con un aspirador en húmedo y la protección contra salpicaduras cuando se realicen trabajos de taladrado hacia arriba con guiado manual.**

1. Extraiga el enchufe de red de la toma de corriente.
2. Desplace la protección contra salpicaduras desde delante, a través del portaútiles, hasta la carcasa de los engranajes de la herramienta perforadora.

### 5.2.4 Montaje de la toma de agua 9



La perforación solo puede realizarse si se dan las siguientes condiciones:

La toma de agua suministrada está montada y ajustada a la longitud de la corona de perforación utilizada.

El anillo colector cuenta con un casquillo de taladrado adaptado al diámetro de la corona de perforación.

1. Extraiga el enchufe de red de la toma de corriente.
2. Introduzca la toma de agua en las aberturas previstas para tal fin en la parte delantera de la herramienta hasta que encaje de forma audible.
3. Utilice la corredera para ajustar el rango de longitud en función de la corona de perforación empleada. Para coronas de perforación con una longitud de hasta 150 mm, coloque la corredera en la posición **150**; para coronas de perforación con una longitud de 300 mm y 600 mm, colóquela en la posición **300**.

### 5.2.5 Montaje o cambio del casquillo de taladrado 10



#### ADVERTENCIA

**Riesgo de descarga eléctrica.** Si se utiliza un casquillo de taladrado incorrecto, en caso de aplicaciones por encima de la cabeza, puede penetrar agua en el interior de la perforadora de diamante.

- ▶ **Utilice siempre un casquillo de taladrado con el mismo diámetro que la corona de perforación.**

1. Extraiga el enchufe de red de la toma de corriente.
2. Coloque el casquillo de taladrado en las ranuras del anillo colector y deslice el casquillo de taladrado hacia abajo, hasta que encaje de forma audible.





- Para su retirada, gire el casquillo de taladrado hacia la izquierda y tire hacia arriba para extraerlo del anillo colector.

### 5.2.6 Montaje de la corona de perforación

#### ADVERTENCIA

**Riesgo de lesiones por objetos que salen despedidos.** Las coronas de perforación que presenten fragmentaciones o grietas y las coronas de perforación muy desgastadas pueden provocar el desprendimiento de fragmentos de la pieza de trabajo, o las coronas de perforación rotas pueden salir despedidas y causar lesiones incluso fuera de la zona de trabajo.

- Antes de utilizar la corona de perforación, compruebe si hay indicios de desprendimiento, agrietamiento, desgaste o de deterioro grave y, en caso necesario, sustituya la corona de perforación.



Las coronas perforadoras de diamante deben sustituirse cuando su capacidad de corte o de avance de perforación disminuyan notablemente. En general, esto sucede cuando la altura del segmento de diamante es inferior a 2 mm.



Una aplicación regular del spray de Hilti en el portaútiles facilita la colocación de la corona de perforación.

- Extraiga el enchufe de red de la toma de corriente.
- Tire hacia arriba del dispositivo de bloqueo del portaútiles hasta alcanzar el tope para abrir el portaútiles.



Compruebe si el extremo de inserción de la corona de perforación y el portaútiles están limpios y en perfectas condiciones.

- Incline el anillo colector alrededor de su eje de fijación hasta alcanzar el tope.
- Desde arriba, introduzca la corona de perforación con el anillo cortante en el casquillo de taladrado del anillo colector.
- Introduzca el extremo de inserción de la corona de perforación alineado con las escotaduras del portaútiles.
- Gire la corona de perforación ejerciendo una leve presión hasta alcanzar el tope.
- Cierre el bloqueo del portaútiles para fijar la corona de perforación.

### 5.2.7 Conexión de un dispositivo de aspiración

- Establezca una conexión segura entre la manguera colector de la herramienta perforadora y el tubo de aspiración del aspirador universal. Para ello, utilice un adaptador para mangueras.
- Conecte el tubo de aspiración del aspirador universal al propio aspirador universal.
- En las perforaciones por encima de la cabeza, emplee el soporte de la empuñadura lateral para fijar la manguera colector.

## 5.3 Preparación para el taladrado con soporte

#### ADVERTENCIA

**Riesgo de lesiones.** Si la fijación del soporte no es suficientemente segura, este puede rotar o volcarse.

- Antes de usar la perforadora de diamante, fije el soporte sobre la superficie de trabajo por medio de tacos o con una placa base al vacío.
- Utilice exclusivamente tacos que sean apropiados para la superficie de trabajo en cuestión y tenga en cuenta las instrucciones de montaje del fabricante de los tacos.
- Utilice una placa base al vacío únicamente si la superficie de trabajo en cuestión resulta apropiada para sujetar el soporte mediante un dispositivo de fijación por vacío.

El soporte y la herramienta pueden fijarse con la placa base al vacío o con el juego de accesorios **DD M12 S**, es decir, con el anclaje **HKD-D M12x50**, el husillo de sujeción **DD-LR-CLS** y la tuerca **DD-LR-CLN**.

#### ADVERTENCIA

**Peligro de descarga eléctrica por la fuga de agua.** Cuando se utiliza la herramienta para taladrar con soporte no puede montarse la protección contra salpicaduras. Por este motivo, la herramienta no está protegida contra la penetración de agua al realizar perforaciones hacia arriba cuando se utilice el soporte.

- No taladre nunca hacia arriba cuando se utilice la herramienta con soporte.**





Solo es posible taladrar con soporte si se retiran la empuñadura lateral y la protección contra salpicaduras.

### 5.3.1 Montaje de la toma de agua 9



La perforación solo puede realizarse si se dan las siguientes condiciones:

La toma de agua suministrada está montada y ajustada a la longitud de la corona de perforación utilizada.

El anillo colector cuenta con un casquillo de taladrado adaptado al diámetro de la corona de perforación.

1. Extraiga el enchufe de red de la toma de corriente.
2. Introduzca la toma de agua en las aberturas previstas para tal fin en la parte delantera de la herramienta hasta que encaje de forma audible.
3. Utilice la corredera para ajustar el rango de longitud en función de la corona de perforación empleada. Para coronas de perforación con una longitud de hasta 150 mm, coloque la corredera en la posición **150**; para coronas de perforación con una longitud de 300 mm y 600 mm, colóquela en la posición **300**.

### 5.3.2 Sujeción de la herramienta y el soporte mediante vacío



#### ADVERTENCIA

**Riesgo de lesiones** Peligro por la caída de la perforadora de diamante.

- Cuando se realicen perforaciones horizontales es necesario que el soporte esté adicionalmente asegurado con una cadena.

#### 5.3.2.1 Colocación de la placa base al vacío 12

1. Marque con una cruz el centro del taladro, cuyas líneas son más largas que el diámetro del anillo colector.



El anillo colector posee cuatro marcas sobresalientes que pueden alinearse con la cruz.

2. Coloque los cuatro tornillos de nivelación de la placa base al vacío de manera que sobresalgan aprox. 5 mm por la parte inferior de la placa base al vacío.
3. Posicione la placa base al vacío a una distancia de 21 cm con respecto al centro del taladro.
4. Conecte el acoplamiento de vacío de la placa base al vacío con la bomba al vacío.
5. Conecte la bomba al vacío.
6. Mantenga presionada la válvula de aireación al vacío mientras corrige la posición de la placa base al vacío.

#### 5.3.2.2 Fijación del soporte a la placa base al vacío

1. Conecte la bomba al vacío.
2. Fije el soporte sobre la placa base al vacío con la palanca de tensado.
3. Alinee el soporte con los dos tornillos de nivelación hasta que quede plano.

### 5.3.3 Fijación de la herramienta en el soporte 13



Si la fijación se realiza al vacío, antes de fijar la herramienta al soporte, asegúrese de que el soporte está sujeto de manera segura.

1. Extraiga el enchufe de red de la toma de corriente.
2. Bloquee el carro del soporte dejando la distancia máxima posible con respecto a la superficie de trabajo.



El carro debe bloquearse en la posición superior. De ese modo puede montarse la herramienta con la toma de agua sin que el anillo colector entre en contacto con la superficie de trabajo.

3. Abra la mordaza de sujeción con el tornillo de tope.
4. Introduzca la herramienta de perforación en el carro.
5. Cierre la mordaza de sujeción con el tornillo de tope.
6. Asegúrese de que la herramienta de perforación está debidamente sujeta en el soporte.



### 5.3.4 Sujeción de la herramienta y el soporte mediante un anclaje

La fijación del soporte de la herramienta con anclaje requiere el uso del juego de accesorios **DD M12 S**, que incluye, entre otras piezas, el husillo de sujeción **DD-LR-CLS** y la tuerca **DD-LR-CLN**.

1. Marque con una cruz el centro del taladro, cuyas líneas son más largas que el diámetro del anillo colector.

El anillo colector posee cuatro marcas sobresalientes que pueden alinearse con la cruz.

2. Coloque el anclaje **Hilti HKD-D M12x50** para la fijación de la placa adaptadora del soporte a una distancia de 12 cm con respecto a la marca del centro del taladro.

Al colocar el anclaje, tenga en cuenta las indicaciones de uso del mismo.

3. Fije la herramienta en el soporte. → página 56
4. Gire los dos tornillos de nivelación en sentido contrario hasta que dejen de sobresalir.
5. Coloque el soporte con la herramienta montada sobre el husillo de sujeción y asegure el soporte provisionalmente con la tuerca (juego de accesorios **DD M12 S**).

No fije el husillo hasta que la corona de perforación no esté exactamente alineada con el centro del taladro (→ página 58).

6. Nivele el soporte con los dos tornillos de nivelación.

### 5.3.5 Montaje de la rueda manual

La rueda manual se puede colocar a ambos lados del soporte.

1. Inserte la rueda manual en el eje.
2. Introduzca la chaveta abierta a través del taladro.
3. Cierre la chaveta.

### 5.3.6 Montaje o cambio del casquillo de taladrado

1. Extraiga el enchufe de red de la toma de corriente.
2. Coloque el casquillo de taladrado en las ranuras del anillo colector y deslice el casquillo de taladrado hacia abajo, hasta que encaje de forma audible.
3. Para su retirada, gire el casquillo de taladrado hacia la izquierda y tire hacia arriba para extraerlo del anillo colector.

### 5.3.7 Montaje de la corona de perforación

#### ADVERTENCIA

**Riesgo de lesiones por objetos que salen despedidos.** Las coronas de perforación que presenten fragmentaciones o grietas y las coronas de perforación muy desgastadas pueden provocar el desprendimiento de fragmentos de la pieza de trabajo, o las coronas de perforación rotas pueden salir despedidas y causar lesiones incluso fuera de la zona de trabajo.

- ▶ Antes de utilizar la corona de perforación, compruebe si hay indicios de desprendimiento, agrietamiento, desgaste o de deterioro grave y, en caso necesario, sustituya la corona de perforación.

Las coronas perforadoras de diamante deben sustituirse cuando su capacidad de corte o de avance de perforación disminuyan notablemente. En general, esto sucede cuando la altura del segmento de diamante es inferior a 2 mm.

Una aplicación regular del spray de **Hilti** en el portaútiles facilita la colocación de la corona de perforación.

1. Extraiga el enchufe de red de la toma de corriente.



2. Tire hacia arriba del dispositivo de bloqueo del portaútiles hasta alcanzar el tope para abrir el portaútiles.



Compruebe si el extremo de inserción de la corona de perforación y el portaútiles están limpios y en perfectas condiciones.

3. Inclíne el anillo colector alrededor de su eje de fijación hasta alcanzar el tope.
4. Desde arriba, introduzca la corona de perforación con el anillo cortante en el casquillo de taladrado del anillo colector.
5. Introduzca el extremo de inserción de la corona de perforación alineado con las escotaduras del portaútiles.
6. Gire la corona de perforación ejerciendo una leve presión hasta alcanzar el tope.
7. Cierre el bloqueo del portaútiles para fijar la corona de perforación.

### 5.3.8 Conexión de un dispositivo de aspiración

1. Establezca una conexión segura entre la manguera colectoras de la herramienta perforadora y el tubo de aspiración del aspirador universal. Para ello, utilice un adaptador para mangueras.
2. Conecte el tubo de aspiración del aspirador universal al propio aspirador universal.
3. En las perforaciones por encima de la cabeza, emplee el soporte de la empuñadura lateral para fijar la manguera colectoras.

## 5.4 Alineación del centro del taladro en el sistema de perforación

### 5.4.1 Colocación del sistema de perforación con placa base al vacío para taladrar

1. Asegúrese de que el sistema de perforación esté bien fijado (indicador del manómetro en el área verde).
2. Para posicionar con precisión el sistema de perforación en el centro del taladro, presione la válvula de aireación al vacío y corrija la posición del soporte.
3. Una vez que se haya posicionado correctamente el sistema de perforación, suelte la válvula de aireación al vacío y presione el sistema de perforación contra la superficie de trabajo.
4. Alinee la placa base al vacío con los cuatro tornillos de nivelación.

### 5.4.2 Colocación del sistema de perforación con fijación mediante anclaje para taladrar

1. Para posicionar con precisión el sistema de perforación en el centro del taladro, afloje con cuidado el husillo de sujeción hasta que el soporte se mueva y corrija entonces la posición del soporte.
2. Alinee la placa adaptadora del soporte con los dos tornillos de nivelación.
3. Cuando el sistema de perforación esté correctamente posicionado, apriete el husillo de sujeción.

## 5.5 Conexión de la alimentación de corriente y del suministro de agua



### ADVERTENCIA

**Peligro de descarga eléctrica por la fuga de agua.** Una junta tórica defectuosa o montada de forma incorrecta en la toma del agua de la herramienta, una presión del agua demasiado elevada, conexiones de tubo flexible defectuosas y la inestabilidad del sistema de agua pueden provocar una fuga de agua con el consiguiente peligro de descarga eléctrica.

- ▶ **Compruebe periódicamente la presencia de daños en la herramienta, las tomas de agua, las mangueras y las conexiones de tubo flexible, y asegúrese de que la presión máxima admisible de los conductos de agua no supera los 6 bar.**



Utilice únicamente agua corriente o agua sin partículas de suciedad para evitar daños en los componentes.

La temperatura máxima admitida del agua es de 40 °C (104 °F).



Para la versión GB se utiliza un transformador de separación en lugar de un PRCD.

1. Conecte el conducto de suministro de agua a la toma del agua de la herramienta perforadora con una pieza de acoplamiento adecuada.
2. Asegúrese de que el conducto de suministro de agua esté conectado de forma segura a la toma del agua de la herramienta perforadora.



3. Abra el suministro de agua y asegúrese de la estanqueidad de la toma del agua de la herramienta de perforación.
4. Conecte el enchufe de red de la herramienta a una toma de corriente con conexión de puesta a tierra.
5. Pulse la tecla **I** o **Reset** en el interruptor de corriente de defecto (PRCD).
  - ▶ La indicación en el interruptor de corriente de defecto (PRCD) debe iluminarse.
6. Pulse la tecla **0** o **TEST** en el interruptor de corriente de defecto (PRCD).



La indicación en el interruptor de corriente de defecto (PRCD) debe desaparecer.

#### **ADVERTENCIA**

**Riesgo de lesiones por una descarga eléctrica.** Si el indicador del interruptor de corriente de defecto no se suelta al pulsar el botón **0** o **TEST**, no se puede seguir utilizando la perforadora de diamante.

- ▶ Encargue la reparación de la perforadora de diamante al Servicio Técnico de **Hilti**.

7. Tras la prueba, conecte de nuevo el interruptor de corriente de defecto (PRCD) pulsando la tecla **0** o **TEST**.

## 6 Taladrar

#### **ADVERTENCIA**

**Peligro de accidente.** El contacto de las piezas en movimiento con cañerías de agua y cables eléctricos puede provocar accidentes graves.

- ▶ Asegúrese de que las cañerías de agua y los cables eléctricos no puedan entrar nunca en contacto con las piezas giratorias.

#### **ADVERTENCIA**

**Riesgo de lesiones si el útil está bloqueado.** La herramienta tiene un par de giro demasiado elevado con respecto a su aplicación. Si el útil se bloquea de forma espontánea, la herramienta podría moverse repentinamente con gran fuerza.

- ▶ Utilice la empuñadura lateral y sujete siempre la herramienta con ambas manos. Cuente siempre con la posibilidad de que se produzca un bloqueo repentino de la herramienta.

#### **ADVERTENCIA**

**Peligro de accidente.** Al realizar trabajos de perforación en paredes y techos puede desprenderse material o el testigo puede caer hacia detrás o hacia abajo.

- ▶ Antes de realizar trabajos de perforación en paredes y techos, asegure la zona de detrás y abajo.

#### **ADVERTENCIA**

**Riesgo de lesiones por la proyección de piezas.** Durante los trabajos de taladrado puede desprenderse material peligroso. Al saltar, el material puede hacer daño en los ojos y en el cuerpo.

- ▶ Utilice protección para los ojos, prendas protectoras y un casco de protección.

#### **ADVERTENCIA**

**Riesgo de lesiones.** La herramienta y el proceso de taladrado generan ruido. El ruido constante puede reducir la capacidad auditiva.

- ▶ Utilice protección para los oídos.

### 6.1 Taladrado con guiado manual **16**

#### **ADVERTENCIA**

**Peligro de descarga eléctrica.** Si se efectúan trabajos de taladrado manual hacia arriba sin aplicar las medidas de protección previstas puede penetrar agua en la herramienta, con el consiguiente peligro de descarga eléctrica.

- ▶ **Utilice siempre un sistema colector de agua con un aspirador en húmedo y la protección contra salpicaduras cuando se realicen trabajos de taladrado hacia arriba con guiado manual.**



**ADVERTENCIA**

**Riesgo de descarga eléctrica.** Si se utiliza un casquillo de taladrado incorrecto, en caso de aplicaciones por encima de la cabeza, puede penetrar agua en el interior de la perforadora de diamante.

► **Utilice siempre un casquillo de taladrado con el mismo diámetro que la corona de perforación.**

1. Inserte el enchufe de red de la herramienta perforadora en una toma de corriente o, si utiliza un sistema de aspiración, en la toma de corriente del aspirador universal (siempre que el aspirador universal cuente con toma de corriente).
2. Si utiliza un sistema de aspiración, inserte el enchufe de red del aspirador universal en la toma de corriente y coloque el interruptor del aspirador en **AUTO**, o bien en **ON** o **I**.
3. Conecte el interruptor de corriente de defecto (PRCD) (véase → página 58).



El aspirador universal se conecta en modo **AUTO** más tarde que la herramienta de perforación. Tras la desconexión de la herramienta perforadora, el aspirador universal en modo **AUTO** se desconecta automáticamente de forma retardada. Si se trabaja con el modo **ON** o **I**, deberá conectar y desconectar el aspirador de forma manual.

4. Marque el centro del taladro con una cruz cuyas líneas sean más largas que el diámetro del anillo colector.



El anillo colector posee cuatro marcas sobresalientes que pueden alinearse con la cruz.

5. Mantenga pulsado el interruptor de conexión y desconexión de la herramienta perforadora, ajuste el caudal de agua deseado con la palanca para la regulación del caudal de agua y vuelva a soltar el interruptor de conexión y desconexión.



El suministro de agua se conecta y desconecta de forma automática con el interruptor de conexión y desconexión de la herramienta perforadora. La cantidad de agua puede ajustarse antes de realizar los taladros girando la palanca para la regulación del caudal de agua o bien ajustarse durante el proceso de taladrado (flujo de agua mínimo con la palanca de ajuste cerrada: aprox. 0,3 l/min).

6. Coloque el anillo colector cuidadosamente en el punto de taladrado sin que la corona de perforación toque la superficie de trabajo.
7. Alinee las líneas de la marca del taladro con las cuatro marcas del anillo colector.
8. Asegúrese de que la corona de perforación no toca la base y pulse el interruptor de conexión y desconexión para la función de inicio de perforación hasta la mitad.
9. Si desea taladrar hacia arriba, espere hasta que la corona de perforación esté llena de agua.
  - De este modo, la corona de perforación se enfría y queda protegida cuando se realizan taladros en seco.
10. Presione la corona de perforación ligeramente contra la superficie de trabajo.
  - Tras el encendido (interruptor de conexión y desconexión pulsado hasta la mitad), la herramienta de perforación utiliza la función de inicio de perforación lenta para evitar el desplazamiento de la corona de perforación al iniciar la perforación.
11. Cuando perciba que la corona de perforación se agarra de forma homogénea, pulse del todo el interruptor de conexión y desconexión.
  - En cuanto se pulsa del todo el interruptor de conexión y desconexión, la corona de perforación puede girar a velocidad máxima.



Seleccione la presión de apriete para que la herramienta de perforación funcione a máxima velocidad. De este modo se alcanza la potencia de perforación ideal (el indicador de la capacidad de perforación se ilumina en verde). Una mayor presión de apriete no provoca el aumento de la velocidad de perforación (el indicador de la capacidad de perforación se ilumina en rojo).



Introduzca la corona de perforación en el taladro en línea recta. Si la corona de perforación se ladea en el taladro, puede reducirse la potencia de perforación.



Asegúrese de que el caudal de agua sea el correcto en todo momento. Para controlarlo, fíjese en el indicador del caudal de agua.



## 6.2 Taladrado con soporte

### ADVERTENCIA

**Peligro de descarga eléctrica por la fuga de agua.** Cuando se utiliza la herramienta para taladrar con soporte no puede montarse la protección contra salpicaduras. Por este motivo, la herramienta no está protegida contra la penetración de agua al realizar perforaciones hacia arriba cuando se utilice el soporte.

- ▶ **No taladre nunca hacia arriba cuando se utilice la herramienta con soporte.**

### ADVERTENCIA

**Peligro de accidente.** Al realizar trabajos de perforación en paredes y techos puede desprenderse material o el testigo puede caer hacia detrás o hacia abajo.

- ▶ Antes de realizar trabajos de perforación en paredes y techos, asegure la zona de detrás y abajo.

### ADVERTENCIA

**Riesgo de lesiones** Peligro por la caída de la perforadora de diamante.

- ▶ Cuando se realicen perforaciones horizontales es necesario que el soporte esté adicionalmente asegurado con una cadena.
1. En caso de utilizar un aspirador en húmedo, conecte un dispositivo de aspiración (→ página 58) y siga los pasos 1 a 3 del apartado para el taladrado de guiado manual (→ página 59).
  2. Inserte el enchufe de red en la toma de corriente y conecte el interruptor de corriente de defecto (PRCD) (véase el apartado para la conexión de la alimentación de corriente y el suministro de agua). → página 58
  3. Suelte el inmovilizador del carro.
  4. Desplace el carro con el volante hacia abajo hasta que el anillo colector se asiente ligeramente sobre la superficie de trabajo.
  5. Mantenga pulsado el interruptor de conexión y desconexión de la herramienta, ajuste el caudal de agua deseado con la palanca para la regulación del caudal de agua y vuelva a soltar el interruptor de conexión y desconexión.

El suministro de agua se conecta y desconecta de forma automática con el interruptor de conexión y desconexión de la herramienta. La cantidad de agua puede ajustarse antes de llevar a cabo los taladros girando la palanca para la regulación del caudal de agua o bien ajustarse durante el proceso de taladrado (caudal de agua mínimo con la palanca de ajuste cerrada: aprox. 0,3 l/min).

6. Coloque la herramienta en modo de acción continua con el botón de bloqueo. Para ello, presione completamente el interruptor de conexión y desconexión y, a continuación, pulse el botón de bloqueo.
7. Gire la corona perforadora de diamante con el volante hasta la superficie de trabajo.
8. Al empezar a taladrar, presione ligeramente hasta que se centre la corona de perforación y, a continuación, aumente la presión de apriete.
9. Cuando perciba que la corona de perforación está centrada y gira de forma homogénea, aumente la presión de apriete contra la superficie de trabajo.
10. Regule la presión de apriete según el indicador de la capacidad de perforación.

Seleccione la presión de apriete para que la herramienta funcione a la máxima velocidad. De este modo se alcanza la potencia de perforación ideal (el indicador de la capacidad de perforación se ilumina en verde). Una mayor presión de apriete no provoca un aumento de la potencia de perforación (el indicador de la capacidad de perforación se ilumina en rojo).

Controle el caudal de agua durante el taladrado. Para ello, fíjese en el indicador del caudal de agua.

## 6.3 Taladros con corona de perforación de 600 mm

1. Realice antes un taladro previo con una corona de perforación de 300 mm.

### ADVERTENCIA

**Riesgo de lesiones.** Al taladrar con la corona de perforación de 600 mm sin realizar un taladro previo, la herramienta puede perder el control, resultar dañada y provocar lesiones.

- ▶ Se recomienda realizar siempre un taladro previo. Antes de continuar taladrando, compruebe que la corona de perforación de 600 mm esté insertada en el taladro realizado con anterioridad hasta la base del taladro.



2. Tras el cambio de la corona de perforación, introduzca la corona de perforación de 600 mm, con la herramienta desconectada, en el taladro realizado anteriormente hasta alcanzar la base del taladro.
3. Continúe con el taladrado.

#### 6.4 Desconexión de la herramienta

1. Tras alcanzar la profundidad de perforación deseada y al concluir los taladros de paso, apague la herramienta. Si trabaja con bloqueo del interruptor, pulse el interruptor de conexión y desconexión para aflojar el bloqueo.

#### ADVERTENCIA

**Riesgo de lesiones.** Si se levanta el anillo colector de la superficie con la corona de perforación en marcha pueden salir disparados los testigos de la corona de perforación y provocar lesiones.

- ▶ Levante el anillo colector de la superficie de trabajo únicamente si la corona de perforación está parada.
2. Extraiga la corona de perforación del taladro mientras la herramienta se detiene.
    - ▶ El suministro de agua se desconecta de forma automática con el interruptor de conexión y desconexión de la herramienta.

#### 6.5 Desmontaje y vaciado de la corona de perforación

1. Extraiga el enchufe de red de la toma de corriente.

#### PRECAUCIÓN

**Riesgo de lesiones al realizar un cambio de útil.** El útil se calienta debido al uso. Puede presentar bordes afilados.

- ▶ Utilice siempre guantes de protección para cambiar el útil.

#### ADVERTENCIA

**Riesgo de lesiones.** Los testigos o partes del mismo pueden salir despedidos de la corona de perforación.

- ▶ Asegúrese de que los testigos no salgan de forma descontrolada de la corona de perforación. Retire todas las piezas del testigo de la corona de perforación.

2. Abra el portaútiles. Para ello, tire hacia arriba del dispositivo de bloqueo del portaútiles hasta alcanzar el tope.



Sujete la herramienta con la punta de la corona de perforación ligeramente inclinada hacia abajo para que los restos de agua puedan salir de la corona de perforación.

3. Gire la corona de perforación hasta alcanzar el tope.
4. Extraiga la corona de perforación del portaútiles.
5. Extraiga la corona de perforación del eje de prolongación del portaútiles.
6. Extraiga la corona de perforación del anillo colector.
7. Sujete la corona de perforación y extraiga los testigos de la corona de perforación hacia atrás mediante el extremo de inserción. Si quedara alguna parte del testigo en la corona de perforación, golpee la corona de perforación hacia abajo en sentido vertical contra un objeto blando (madera, plástico) o utilice una varilla fina (p. ej. el tope de profundidad) para expulsar el testigo.
8. Cierre el bloqueo del portaútiles.

#### 6.6 Extracción de los testigos del taladro

1. Inserte la herramienta sacatestigos en el taladro girando levemente hasta alcanzar el tope.



Asegúrese de que el diámetro de la herramienta sacatestigos (accesorio opcional) coincida con el diámetro de taladrado de la corona de perforación utilizada.

2. Quiebre los testigos ejerciendo una pequeña presión lateral en la herramienta sacatestigos.
3. Extraiga del taladro los testigos partidos con la herramienta sacatestigos.
4. Mida con una escala la profundidad real del taladro alcanzada.

#### 6.7 Eliminación del lodo de perforación

1. Recoja el lodo de perforación (p. ej. con un aspirador en húmedo).





- Deje que el lodo de perforación se asiente y elimine las partes sólidas en un vertedero



Los agentes de floculación pueden acelerar el proceso de separación.

- Antes de verter el agua restante del proceso de taladrado (valor  $\text{pH} > 7$ , alcalino) a la canalización, deberá neutralizarse. Para ello, añada agente neutralizador ácido o diluya con agua abundante.

## 7 Cuidado y mantenimiento



### ADVERTENCIA

**Peligro de descarga eléctrica.** La realización de tareas de cuidado y mantenimiento con el enchufe conectado a la toma de corriente de puede provocar lesiones y quemaduras graves.

- ▶ Extraiga siempre el enchufe de la toma de corriente antes de realizar cualquier tarea de cuidado y mantenimiento.

### Cuidado

- Retire con cuidado la suciedad fuertemente adherida.
- Limpie cuidadosamente las rejillas de ventilación con un cepillo seco.
- Limpie la carcasa utilizando únicamente un paño ligeramente humedecido. No utilice limpiadores que contengan silicona, ya que podría afectar a las piezas de plástico.

### Cuidado de las herramientas y las piezas de metal

- ▶ Elimine la suciedad fuertemente adherida.
- ▶ Evite la corrosión de la superficie de los útiles y de los portaútiles frotándolos de vez en cuando con un paño empapado en aceite.
- ▶ Mantenga siempre el extremo de inserción limpio y ligeramente lubricado.

### Mantenimiento



### ADVERTENCIA

**Riesgo de descarga eléctrica.** Las reparaciones indebidas en componentes eléctricos pueden producir lesiones graves y quemaduras.

- ▶ Las reparaciones de la parte eléctrica sólo puede llevarlas a cabo un técnico electricista cualificado.
- Compruebe con regularidad si las piezas visibles están dañadas o si los elementos de manejo funcionan correctamente.
- No utilice la herramienta eléctrica si presenta daños o fallos que afecten al funcionamiento. Llévela de inmediato al Servicio Técnico de **Hilti** para que la reparen.
- En modelos con cable de red intercambiable se podrá encargar a personal técnico cualificado la sustitución del cable de red.
- Coloque todos los dispositivos de protección después de las tareas de cuidado y mantenimiento y compruebe su correcto funcionamiento.



Para garantizar un correcto funcionamiento, utilice exclusivamente piezas de repuesto y material de consumo originales. Puede encontrar las piezas de repuesto, el material de consumo y los accesorios que comercializamos en su Centro **Hilti** o en [www.hilti.group](http://www.hilti.group)

### 7.1 Sustitución de las escobillas de carbón



### ADVERTENCIA

**Riesgo de lesiones por una descarga eléctrica !**

- ▶ Las operaciones de manejo, mantenimiento y reparación de la herramienta correrán a cargo exclusivamente de personal debidamente cualificado. Este personal debe estar especialmente instruido en lo referente a los riesgos de uso.



El indicador luminoso con el símbolo de la llave de boca se ilumina cuando se precisa un cambio de las escobillas de carbón.

- Extraiga el enchufe de red de la toma de corriente.
- Abra las cubiertas de las escobillas de carbón a la izquierda y a la derecha del motor.



3. **Asegúrese de que las escobillas de carbón y las trencillas quedan bien montadas.** Extraiga de la perforadora de diamante las escobillas de carbón usadas.
4. Coloque las nuevas escobillas de carbón tal y como estaban colocadas las antiguas.



Al montarlas, cerciórese de que no dañe el aislante de las trencillas de señalización.

5. Atornille las cubiertas de las escobillas de carbón a la izquierda y a la derecha del motor.
6. Deje que las escobillas de carbón funcionen en marcha en vacío al menos un minuto de forma ininterrumpida.
  - ▶ Tras aproximadamente un minuto de funcionamiento con las nuevas escobillas de carbón, el indicador luminoso se apaga.

## 7.2 Limpieza de la mirilla del nivel de agua




Asegúrese de que el lugar de trabajo esté limpio antes de proceder a la limpieza de la mirilla del nivel de agua. No debe penetrar suciedad a la zona interior del indicador del caudal de agua durante las tareas de limpieza.

1. Desenrosque los dos tornillos de la mirilla con un destornillador Torx TX 15.
2. Levante la mirilla.
3. Extraiga la rueda de ajuste de la cantidad de agua, incluyendo el eje.
4. Elimine las partículas de suciedad con agua corriente.
5. Antes de montar la junta en la mirilla, compruebe si hay daños visibles y sustituya los componentes correspondientes en caso necesario.
6. Asegúrese de que la junta queda exactamente en la guía. De lo contrario, la junta podría resultar dañada y perder la estanqueidad durante el montaje de la mirilla entre las piezas de plástico.
7. Coloque de nuevo la rueda de ajuste, junto con el eje.
8. Vuelva a insertar la mirilla en su guía.
9. Tome el destornillador Torx empleado para la fijación de la mirilla y vuelva a apretarla.

## 8 Ayuda en caso de averías

Si se producen averías que no estén incluidas en esta tabla o que no pueda solucionar usted, diríjase al Servicio Técnico de **Hilti**.

### 8.1 La perforadora de diamante está lista para funcionar.




Anomalía	Posible causa	Solución
 <p>El indicador de funcionamiento se ilumina.</p>	<p>El límite de desgaste de las escobillas de carbón está a punto de alcanzarse. La perforadora de diamante seguirá funcionando unas horas antes de desconectarse de forma automática.</p> <p>Se han sustituido las escobillas de carbón y necesitan un «tiempo de rodaje» para empezar a funcionar.</p>	<ul style="list-style-type: none"> <li>▶ Cambie las escobillas de carbón cuando se presente la próxima oportunidad.</li> <li>▶ Deje que las escobillas de carbón funcionen en marcha en vacío al menos un minuto de forma ininterrumpida.</li> </ul>
<p>La perforadora de diamante no funciona con la potencia óptima.</p>	<p>Avería en la red: se ha producido una bajada de tensión en la red eléctrica.</p>	<ul style="list-style-type: none"> <li>▶ Compruebe si hay otros consumidores que estén perturbando el funcionamiento de la red o el generador.</li> <li>▶ Compruebe la longitud del alargador empleado.</li> </ul>




Anomalia	Posible causa	Solución
La corona perforadora de diamante no gira.	La corona perforadora de diamante se ha atascado en la superficie de trabajo.	<ul style="list-style-type: none"> <li>▶ Empuje la perforadora de diamante en línea recta.</li> <li>▶ Extracción de la corona perforadora de diamante con la llave de boca: Extraiga el enchufe de red de la toma de corriente. Sujete la corona perforadora de diamante por la zona próxima al extremo de inserción con una llave de boca adecuada y suelte la corona girando la llave.</li> </ul>
La velocidad de perforación disminuye.	Profundidad máxima de perforación alcanzada.	▶ Retire el testigo y utilice una corona de perforación más larga.
	El testigo se atasca en la corona perforadora de diamante.	▶ Retire el testigo.
	Especificación incorrecta para la superficie de trabajo.	▶ Seleccione una especificación correcta para la corona perforadora de diamante.
	Proporción de acero elevada (se detecta porque en el agua se aprecian virutas de metal).	▶ Seleccione una especificación correcta para la corona perforadora de diamante.
	La corona perforadora de diamante está defectuosa.	▶ Compruebe la presencia de daños en la corona perforadora de diamante y sustitúyala en caso necesario.
	Corona perforadora de diamante pulida.	▶ Afíle la corona perforadora de diamante en la placa de afilado.
	Volumen de agua demasiado elevado.	▶ Reduzca el volumen de agua con el mecanismo de regulación de agua.
	Volumen de agua insuficiente.	<ul style="list-style-type: none"> <li>▶ Compruebe la entrada de agua a la corona perforadora de diamante o aumente el volumen de agua con el mecanismo de regulación de agua.</li> <li>▶ Compruebe el cartucho de filtro en la toma del agua.</li> </ul>
No es posible colocar la corona perforadora de diamante en el portaútiles.	Extremo de inserción/portaútiles sucio o dañado.	▶ Limpie el extremo de inserción o el portaútiles, o sustitúyalos en caso necesario.
	Palanca del portaútiles no abierta del todo.	▶ Abra la palanca hasta el tope.
La corona perforadora de diamante tiene demasiado juego.	Conexión defectuosa.	▶ Compruebe el extremo de inserción y cámbielo en caso necesario.
	Palanca del portaútiles sin cerrar.	▶ Cierre la palanca del portaútiles.
No hay flujo de agua.	El filtro o el indicador del caudal de agua están obstruidos.	▶ Extraiga el filtro o el indicador del caudal de agua y límpielos.
Sale agua del portaútiles durante el funcionamiento.	Extremo de inserción/portaútiles sucio.	▶ Limpie el extremo de inserción o el portaútiles.
	Junta del portaútiles defectuosa.	▶ Compruebe la junta y sustitúyala en caso necesario.



## 8.2 La perforadora de diamante no está lista para funcionar.

Anomalía	Posible causa	Solución
 El indicador de funcionamiento no muestra nada.	PRCD sin encender.	▶ Compruebe si funciona el PRCD y conéctelo.
	Alimentación de tensión interrumpe.	▶ Conecte otra herramienta eléctrica y compruebe si funciona. ▶ Compruebe los conectores, el cable de red, el cable eléctrico y el fusible de la red.
	Hay agua en el motor.	▶ Deje la perforadora de diamante en un lugar caliente y seco para que se seque por completo.
 El indicador de funcionamiento se ilumina.	Escobillas de carbón desgastadas.	▶ Sustituya las escobillas de carbón. → página 63
 El indicador de funcionamiento parpadea.	Motor sobrecalentado (p. ej. debido a una elevada fricción de la pared o a una fuerza de apriete demasiado elevada).	▶ Espere unos minutos hasta que se enfríe el motor o deje la perforadora de diamante funcionando en marcha en vacío para acelerar el proceso de enfriamiento. ▶ Desconecte la perforadora de diamante y, a continuación, vuélvala a conectar. ▶ Empuje la perforadora de diamante hacia delante o reduzca la presión de apriete.

## 9 Reciclaje

Las herramientas  **Hilti** están fabricadas en su mayor parte con materiales reutilizables. La condición para dicha reutilización es una separación adecuada de los materiales. En muchos países, **Hilti** recoge las herramientas usadas para su recuperación. Pregunte en el Servicio de Atención al Cliente de **Hilti** o a su asesor de ventas.



- ▶ No deseche las herramientas eléctricas, los aparatos eléctricos ni las baterías junto con los residuos domésticos.

### 9.1 Eliminación del lodo de perforación

El vertido de lodo de perforación sin un tratamiento previo adecuado en el agua o en un sistema canalizado puede resultar perjudicial para el medio ambiente.

- ▶ Consulte a las autoridades locales para informarse sobre la normativa actual vigente.
- ▶ Elimine el lodo de perforación. → página 62

## 10 Garantía del fabricante

- ▶ Si tiene alguna consulta acerca de las condiciones de la garantía, póngase en contacto con su sucursal local de **Hilti**.



# Manual de instruções original

## 1 Indicações sobre a documentação

### 1.1 Sobre esta documentação

- Antes da colocação em funcionamento, leia esta documentação. Esta é a condição para um trabalho seguro e um manuseamento sem problemas.
- Tenha em atenção as instruções de segurança e as advertências nesta documentação e no produto.
- Guarde o manual de instruções sempre junto do produto e entregue-o a outras pessoas apenas juntamente com este manual.

### 1.2 Explicação dos símbolos

#### 1.2.1 Advertências

As advertências alertam para perigos durante a utilização do produto. São utilizadas as seguintes palavras de aviso:

#### **PERIGO**

##### **PERIGO !**

- ▶ Indica perigo iminente que pode originar acidentes pessoais graves ou até mesmo fatais.

#### **AVISO**

##### **AVISO !**

- ▶ Indica um possível perigo que pode causar graves ferimentos pessoais, até mesmo fatais.





#### **CUIDADO**

##### **CUIDADO !**

- ▶ Indica uma situação potencialmente perigosa que pode originar ferimentos corporais ou danos materiais.


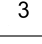
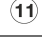

#### 1.2.2 Símbolos na documentação

Nesta documentação são utilizados os seguintes símbolos:

	Leia o manual de instruções antes da utilização
	Instruções de utilização e outras informações úteis
	Manuseamento com materiais recicláveis
	Não deitar as ferramentas eléctricas e baterias no lixo doméstico

#### 1.2.3 Símbolos nas figuras

Em figuras são utilizados os seguintes símbolos:

	Estes números referem-se à respectiva imagem no início deste Manual
	A numeração reproduz uma sequência dos passos de trabalho na imagem e pode divergir dos passos de trabalho no texto
	Na figura <b>Vista geral</b> são utilizados números de posição que fazem referência aos números da legenda na secção <b>Vista geral do produto</b>
	Este símbolo pretende despertar a sua atenção durante o manuseamento do produto.

### 1.3 Símbolos dependentes do produto

#### 1.3.1 Símbolos no produto

No produto são utilizados os seguintes símbolos:



	Perigo: electricidade
	Perigo: Superfície quente
/min	Rotações por minuto
$n_0$	Velocidade nominal em vazio
	Use óculos de protecção
	Use capacete de protecção
	Use protecção auricular
	Use luvas de protecção
	Use calçado de segurança
	Símbolo de bloqueio
	Indicador de manutenção
	Indicador de performance de perfuração
	Transferência de dados sem fios

#### 1.4 Dados informativos sobre o produto

Os produtos destinam-se ao utilizador profissional e só podem ser operados, mantidos e reparados por pessoal autorizado, devidamente qualificado. Estas pessoas deverão estar informadas em particular sobre os potenciais perigos. O produto e seu equipamento auxiliar podem representar perigo se usados incorrectamente por pessoas não qualificadas ou se usados para fins diferentes daqueles para os quais foram concebidos.

A designação e o número de série são indicados na placa de características.

- ▶ Registe o número de série na tabela seguinte. Precisa dos dados do produto para colocar questões ao nosso representante ou posto de serviço de atendimento aos clientes.

##### Dados do produto

Tipo:	DD 30-W
Geração:	01
N.º de série:	

#### 1.5 Declaração de conformidade

Declaramos sob nossa exclusiva responsabilidade que o produto aqui descrito está em conformidade com as directivas e normas em vigor. Na parte final desta documentação encontra uma reprodução do organismo de certificação.

As documentações técnicas estão aqui guardadas:

Hilti Entwicklungsgesellschaft mbH | Zulassung Geräte | Hiltistraße 6 | 86916 Kaufering, DE

## 2 Segurança

### 2.1 Normas de segurança gerais para ferramentas eléctricas

**⚠ AVISO Leia todas as normas de segurança, instruções, imagens e dados técnicos, com os quais esta ferramenta eléctrica está equipada.** O não cumprimento das instruções a seguir pode resultar em choque eléctrico, incêndio e/ou ferimentos graves.

**Guarde bem todas as normas de segurança e instruções para futura referência.**



O termo “ferramenta eléctrica” utilizado nas normas de segurança refere-se a ferramentas com ligação à corrente eléctrica (com cabo de alimentação) ou a ferramentas a bateria (sem cabo).

### Segurança no posto de trabalho

- ▶ **Mantenha a sua área de trabalho limpa e bem iluminada.** Locais desarrumados ou mal iluminados podem ocasionar acidentes.
- ▶ **Não utilize a ferramenta eléctrica em ambientes explosivos ou na proximidade de líquidos ou gases inflamáveis.** Ferramentas eléctricas produzem faíscas que podem provocar a ignição de pó e vapores.
- ▶ **Mantenha crianças e terceiros afastados durante os trabalhos.** Distacções podem conduzir à perda de controlo sobre a ferramenta.

### Segurança eléctrica

- ▶ **A ficha da ferramenta eléctrica deve servir na tomada. A ficha não deve ser modificada de modo algum. Não utilize quaisquer adaptadores com ferramentas eléctricas com ligação terra.** Fichas originais (não modificadas) e tomadas adequadas reduzem o risco de choque eléctrico.
- ▶ **Evite o contacto do corpo com superfícies ligadas à terra, como, por exemplo, canos, radiadores, fogões e frigoríficos.** Existe um risco elevado de choque eléctrico se o corpo estiver com ligação à terra.
- ▶ **As ferramentas eléctricas não devem ser expostas à chuva nem à humidade.** A infiltração de água numa ferramenta eléctrica aumenta o risco de choque eléctrico.
- ▶ **Não use o cabo de ligação para transportar, pendurar ou desligar a ferramenta eléctrica da tomada. Mantenha o cabo de ligação afastado de calor, óleo, arestas vivas ou partes em movimento.** Cabos de ligação danificados ou emaranhados aumentam o risco de choque eléctrico.
- ▶ **Quando operar uma ferramenta eléctrica ao ar livre, utilize apenas cabos de extensão próprios para utilização no exterior.** A utilização de um cabo de extensão próprio para utilização no exterior reduz o risco de choques eléctricos.
- ▶ **Utilize um disjuntor diferencial se não puder ser evitada a utilização da ferramenta eléctrica em ambiente húmido.** A utilização de um disjuntor diferencial reduz o risco de choque eléctrico.

### Segurança física

- ▶ **Esteja alerta, observe o que está a fazer, e tenha prudência ao trabalhar com uma ferramenta eléctrica. Se estiver cansado ou sob influência de drogas, álcool ou medicamentos não efectue nenhum trabalho com ferramentas eléctricas.** Um momento de distracção ao operar a ferramenta eléctrica pode causar ferimentos graves.
- ▶ **Use equipamento de segurança. Use sempre óculos de protecção.** Equipamento de segurança, como, por exemplo, máscara antipoeiras, sapatos de segurança antiderrapantes, capacete de segurança ou protecção auricular, de acordo com o tipo e aplicação da ferramenta eléctrica, reduzem o risco de lesões.
- ▶ **Evite um arranque involuntário. Assegure-se de que a ferramenta eléctrica está desligada antes de a ligar à fonte de alimentação e/ou à bateria, pegar nela ou a transportar.** Transportar a ferramenta eléctrica com o dedo no interruptor ou ligar uma ferramenta à tomada com o interruptor ligado (ON) pode resultar em acidentes.
- ▶ **Remova quaisquer chaves de ajuste (chaves de fenda), antes de ligar a ferramenta eléctrica.** Um acessório ou chave deixado preso numa parte rotativa da ferramenta pode causar ferimentos.
- ▶ **Evite posturas corporais desfavoráveis. Mantenha sempre uma posição correcta, em perfeito equilíbrio.** Desta forma será mais fácil manter o controlo sobre a ferramenta eléctrica em situações inesperadas.
- ▶ **Use roupa apropriada. Não use roupa larga ou jóias. Mantenha o cabelo, vestuário e luvas afastados das peças móveis.** Roupas largas, jóias ou cabelos compridos podem ficar presos nas peças móveis.
- ▶ **Se poderem ser montados sistemas de remoção e de recolha de pó, assegure-se de que estes estão ligados e são utilizados correctamente.** A utilização de um sistema de remoção de pó pode reduzir os perigos relacionados com a exposição ao mesmo.
- ▶ **Não se acomode numa falsa sensação de segurança e não ignore os regulamentos de segurança para ferramentas eléctricas, mesmo se estiver familiarizado com a ferramenta eléctrica após numerosas utilizações.** Agir de forma descuidada pode causar ferimentos graves dentro duma fracção de segundo.

### Utilização e manuseamento da ferramenta eléctrica

- ▶ **Não sobrecarregue a ferramenta. Use para o seu trabalho a ferramenta eléctrica correcta.** Com a ferramenta eléctrica adequada obterá maior eficiência e segurança se respeitar os seus limites.



- ▶ **Não utilize a ferramenta eléctrica se o interruptor estiver defeituoso.** Uma ferramenta eléctrica que já não possa ser accionada pelo interruptor é perigosa e deve ser reparada.
- ▶ **Retire a ficha da tomada e/ou remova uma bateria amovível antes de efectuar ajustes na ferramenta, substituir acessórios ou guardar a ferramenta.** Esta medida preventiva evita o accionamento accidental da ferramenta eléctrica.
- ▶ **Guarde ferramentas eléctricas não utilizadas fora do alcance das crianças. Não permita que a ferramenta seja utilizada por pessoas não familiarizadas com a mesma ou que não tenham lido estas instruções.** Ferramentas eléctricas operadas por pessoas não treinadas são perigosas.
- ▶ **Faça uma manutenção regular de ferramentas eléctricas e acessórios. Verifique se as partes móveis funcionam perfeitamente e não emperram ou se há peças quebradas ou danificadas que possam influenciar o funcionamento da ferramenta eléctrica. Peças danificadas devem ser reparadas antes da utilização da ferramenta.** Muitos acidentes são causados por ferramentas eléctricas com manutenção deficiente.
- ▶ **Mantenha as ferramentas de corte sempre afiadas e limpas.** Acessórios com gumes afiados tratados correctamente emperram menos e são mais fáceis de controlar.
- ▶ **Utilize a ferramenta eléctrica, acessórios, bits, etc., de acordo com estas instruções. Tome também em consideração as condições de trabalho e o trabalho a ser efectuado.** A utilização da ferramenta eléctrica para outros fins além dos previstos, pode ocasionar situações de perigo.
- ▶ **Mantenha punhos e respectivas superfícies secos, limpos e isentos de óleo e gordura.** Punhos e superfícies afins escorregadios não permitem um manuseamento e controlo seguro da ferramenta eléctrica em situações imprevistas.

### Manutenção

- ▶ **A sua ferramenta eléctrica só deve ser reparada por pessoal qualificado e só devem ser utilizadas peças sobressalentes originais.** Isto assegurará que a segurança da ferramenta eléctrica se mantenha.

## 2.2 Normas de segurança para máquinas de perfuração diamantadas

- ▶ **Ao executar trabalhos de furação que exijam a utilização de água, desvie a água da área de trabalho ou utilize um sistema de recolha de líquidos.** Tais precauções mantêm a área de trabalho seca e reduzem o risco de choque eléctrico.
- ▶ **Opere a ferramenta eléctrica pelas áreas isoladas dos punhos, quando executar trabalhos onde a ferramenta de corte pode encontrar cabos eléctricos encobertos ou o próprio cabo de ligação.** O contacto de uma ferramenta de corte com um cabo sob tensão também pode colocar peças metálicas da ferramenta eléctrica sob tensão e causar um choque eléctrico.
- ▶ **Ao perfurar com equipamento diamantado, use protecção auricular.** Ruído em excesso pode levar à perda de audição.
- ▶ **Se o acessório encravar, não aplique mais força de avanço e desligue a ferramenta.** Verifique a razão do encravamento e elimine a causa de acessórios encravados.
- ▶ **Se pretender voltar a accionar uma máquina de perfuração diamantada que está presa no material, verifique antes de ligar se o acessório roda livremente.** Quando o acessório encrava, é possível que não rode e isto pode levar à sobrecarga da ferramenta ou a que a máquina de perfuração diamantada se solte do material.
- ▶ **Em caso de fixação da coluna ao material através de buchas e parafusos, assegure-se de que a ancoragem utilizada está em condições de, durante a utilização, manter a máquina segura.** Quando o material não tiver a resistência necessária ou for poroso, a bucha pode ser puxada para fora, fazendo com que a coluna se solte do material.
- ▶ **Em caso de fixação da coluna ao material através de base de vácuo, assegure-se de que a superfície está lisa, limpa e não é porosa. Não fixe a coluna a superfície laminadas, como, por exemplo, sobre ladrilhos e revestimentos de materiais compósitos.** Quando a superfície do material não é lisa, plana ou está suficientemente presa, a base de vácuo pode soltar-se do material.
- ▶ **Antes de encaixar a bateria, certifique-se de que a ferramenta está desligada.** Se o vácuo não for suficiente, a base de vácuo pode soltar-se do material.
- ▶ **Nunca realize furações por cima da cabeça e furações na parede, quando a máquina só estiver fixa mediante base de vácuo.** Em caso de perda do vácuo, a base de vácuo solta-se do material.
- ▶ **Ao furar através de paredes ou tectos, assegure-se de que pessoas e área de trabalho do outro lado estão protegidos.** A coroa de perfuração pode ir além do furo e a carote pode cair para fora do outro lado.

### Válido apenas para o modo manual:

- ▶ **No caso de trabalhos por cima da cabeça, utilize sempre o sistema de recolha de líquidos especificado no manual de instruções. Providencie para que não se infiltre água na ferramenta.** A infiltração de água na ferramenta eléctrica aumenta o risco de choque eléctrico.





Válido apenas para o funcionamento com coluna:

- ▶ **Não utilize esta ferramenta para trabalhos de furação por cima da cabeça com fornecimento de água.** A infiltração de água na ferramenta eléctrica aumenta o risco de choque eléctrico.

## 2.3 Normas de segurança adicionais

### Segurança física

- ▶ **Na utilização manual, segure a ferramenta sempre com as duas mãos nos punhos previstos para o efeito.**
- ▶ A ferramenta e a coroa diamantada são pesadas. **Pode haver esmagamentos. Use um capacete de protecção, luvas e calçado de protecção.**
- ▶ **Mantenha os punhos secos, limpos e isentos de óleo e gordura.**
- ▶ **Faça pausas durante o trabalho para relaxar os músculos e melhorar a circulação sanguínea nas mãos.**
- ▶ **Evite o contacto com peças rotativas. Ligue a ferramenta apenas quando estiver no local de trabalho.** O contacto com peças rotativas, nomeadamente brocas, discos, lâminas, etc. pode causar ferimentos.
- ▶ **Durante os trabalhos, mantenha o cabo de rede, o cabo de extensão e, eventualmente, também a mangueira de aspiração sempre na retaguarda da ferramenta.** Desta forma, evita-se o risco de tropeçar nos cabos ou na mangueira durante o trabalho.
- ▶ **Evite o contacto da lama resultante da perfuração com a pele e com os olhos. Use luvas e óculos de protecção.**
- ▶ **Deve ensinar-se às crianças que não podem brincar com a ferramenta.**
- ▶ **A ferramenta não está concebida para pessoas debilitadas sem formação. Mantenha a ferramenta fora do alcance das crianças.**
- ▶ Durante a utilização e ao afiar, a ferramenta pode ficar quente. **Possibilidade de queimaduras e ferimentos por corte. Use luvas de protecção ao manusear a ferramenta.**
- ▶ **Durante as pausas no trabalho pouse a ferramenta montada no suporte, de forma segura, no chão.**
- ▶ **Nunca manipule ou altere a ferramenta.**

### Protecção contra poeiras

Pós de materiais, como tinta com chumbo, algumas madeiras, minerais e metal podem ser nocivos. O contacto com ou a inalação dos pós podem provocar reacções alérgicas e/ou doenças das vias respiratórias no operador ou em pessoas que se encontrem nas proximidades. Determinados pós, como os de carvalho ou de faia, são considerados cancerígenos, especialmente em combinação com aditivos para o tratamento de madeiras (cromato, produtos para a preservação de madeiras).

- ▶ **Utilize um sistema de remoção de pó o mais eficiente possível. Para isso, utilize um removedor de pó móvel recomendado pela Hilti para poeiras de madeira e/ou minerais, que tenha sido adaptado para esta ferramenta eléctrica. Assegure-se de que o local de trabalho está bem ventilado. Recomenda-se que use uma máscara antipoeiras com filtro da classe P2. Respeite as regulamentações em vigor no seu país relativas aos materiais a trabalhar.**

### Utilização e manutenção de ferramentas eléctricas

- ▶ **Mantenha fixa a peça a trabalhar. Para maior segurança e porque assim fica com ambas as mãos livres para segurar a ferramenta, use grampos ou um torno para segurar a peça a trabalhar.**
- ▶ **Verifique se os acessórios utilizados são compatíveis com o sistema de encaixe e se estão correctamente encaixados no porta-ferramentas.**
- ▶ **Em caso de falha eléctrica desligue a ferramenta eléctrica e retire a ficha de rede, de modo a evitar uma colocação inadvertida em funcionamento quando a energia for restabelecida.**
- ▶ Utilize a ferramenta somente com as saídas de ar desobstruídas.

### Segurança eléctrica

- ▶ **Antes de iniciar os trabalhos, verifique o local de trabalho relativamente a cabos eléctricos encobertos, bem como tubos de gás e água, por ex., com um detector de metais.** Partes metálicas externas da ferramenta podem transformar-se em condutores de corrente se, por ex., uma linha eléctrica for danificada inadvertidamente. Isto representa um sério perigo de choque eléctrico.
- ▶ **Nunca opere a ferramenta sem o PRCO fornecido juntamente (para ferramentas sem PRCO, nunca sem transformador de isolamento). Verifique o PRCO antes de cada utilização.**
- ▶ **Verifique o cabo eléctrico regularmente. Se danificado, deve ser imediatamente substituído por um especialista. Quando o cabo de ligação da ferramenta eléctrica está danificado, deve ser substituído por um cabo de ligação específico e aprovado, que se encontra disponível através do Serviço de Clientes Hilti. Verifique as extensões de cabo regularmente. Se estiverem danificadas,**



deverão ser substituídas. Se danificar o cabo enquanto trabalha, não lhe toque e desligue a ferramenta imediatamente. Retire a ficha de rede da tomada. Linhas de conexão e extensões danificadas representam um risco de choque eléctrico.

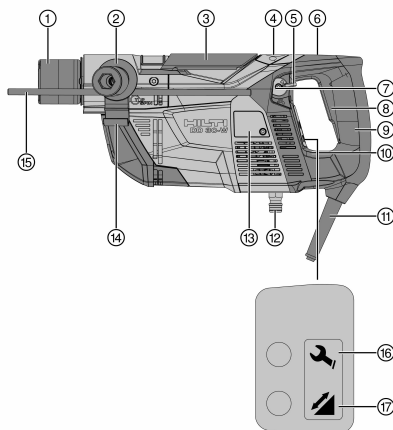
- ▶ **Evite o contacto do corpo com superfícies ligadas à terra, como, por exemplo, canos, radiadores, fogões e frigoríficos.** Existe um risco elevado de choque eléctrico se o corpo estiver com ligação à terra.
- ▶ **Não utilize nenhuma ficha de adaptação.**

#### Local de trabalho

- ▶ **Assegure-se de que o local de trabalho está bem ventilado.** Áreas de trabalho mal ventiladas podem suscitar problemas de saúde devido à inalação de pó.
- ▶ **Não fure em materiais nocivos para a saúde (por ex. amianto).**
- ▶ **Deverá obter-se previamente junto do engenheiro ou arquitecto da obra uma autorização para iniciar trabalhos de perfuração e corte.** Os trabalhos de perfuração em edifícios podem influenciar a estática da estrutura, especialmente quando se cortam vigas de reforço ou outros componentes de suporte.
- ▶ Em trabalhos de exterior, use luvas de borracha e calçado antiderrapante.
- ▶ **Durante a utilização da ferramenta, use óculos de protecção adequados, capacete de protecção, protecção auricular, luvas e calçado de protecção.** As pessoas na proximidade devem também usar equipamento de protecção individual.

## 3 Descrição

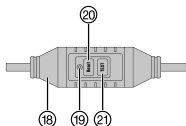
### 3.1 Vista geral do produto



- ① Porta-ferramentas
- ② Punho auxiliar **DD-SH-30**
- ③ Fecho do porta-ferramentas
- ④ Indicador do fluxo de água
- ⑤ Alavanca de regulação da água
- ⑥ Bloqueio do interruptor para perfuração com suporte
- ⑦ Nível esférico de bolha para perfuração vertical
- ⑧ Interruptor on/off
- ⑨ Punho
- ⑩ Nível de barra para perfuração horizontal
- ⑪ Cabo de alimentação com PRCD
- ⑫ Ligação para a mangueira da água
- ⑬ Tampa das escovas de carvão
- ⑭ Suporte para mangueira de aspiração
- ⑮ Limitador de profundidade para perfuração manual
- ⑯ Indicador de manutenção
- ⑰ Indicador de performance de perfuração



### 3.2 Disjuntor diferencial (PRCD) 2



- 18 PRCD no cabo de rede
- 19 Indicação no PRCD
- 20 Tecla **Reset** no PRCD
- 21 Tecla **TEST** no PRCD

### 3.3 Sistema de colecta de água 3

- 22 Cursor para o ajuste longitudinal do varão do colector de água
- 23 Desbloqueio do varão do colector de água
- 24 Varão do colector de água

### 3.4 Acessórios 4

- 25 Anel de centragem
- 26 Anel colector de água
- 27 Mangueira do colector de água
- 28 Protecção contra salpicos

### 3.5 Acessórios da coluna DD-ST 30 5

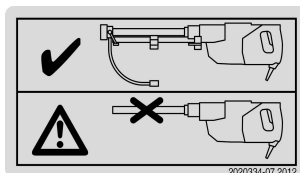
- 29 Parafuso de encosto
- 30 Coluna
- 31 Mordente de fixação
- 32 Parafuso de bloqueio
- 33 Contrapino
- 34 Volante
- 35 Patim
- 36 Mecanismo de travamento do patim
- 37 Punho
- 38 Alavanca de aperto
- 39 Ligaçao de vácuo
- 40 Manómetro
- 41 Vedante de vácuo
- 42 Placa adaptadora
- 43 Base de vácuo
- 44 Parafusos de nivelamento
- 45 Válvula de segurança (vácuo)

### 3.6 Utilização correcta

O produto descrito é um sistema de perfuração diamantado eléctrico. Destina-se à perfuração a húmido, manual e com coluna, em betão e materiais minerais. A coluna pode ser fixada à peça a trabalhar com uma âncora adequada (acessório) ou com a base de vácuo (acessório).

- ▶ Utilize a ferramenta somente com a tensão e frequência de rede indicadas na placa de características.
- ▶ Em função da aplicação e sentido de perfuração (consultar tabela → Página 74) terá de ligar o sistema de colecta de água do perfurador diamantado a um aspirador universal recomendado pela Hilti e seleccionar o equipamento.

Todas as perfurações só devem ser efectuadas com sistema de colecta de água montado, com a combinação correcta de anel de centragem e coroa de perfuração assim como com o ajuste longitudinal correcto.

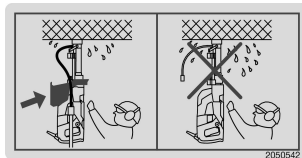


Etiqueta do produto



A perfuração para cima só é permitida com extracção de água e protecção adicional contra salpicos.

Uma vez que na perfuração com suporte de coluna não é possível montar a protecção contra salpicos, não é permitida a perfuração com coluna para cima.



Etiqueta do produto

### 3.7 Uso incorrecto não permitido

- Este produto não é adequado para trabalhar materiais nocivos para a saúde.
- Não é permitida a perfuração de materiais que produzam pós condutores de corrente (por exemplo, magnésio).
- Não é permitida a perfuração a seco.

### 3.8 Equipamentos específicos para uma determinada aplicação

Equipamento necessário em diversas aplicações/sentidos de perfuração

Aplicação	Direcção da perfuração	Equipamento
Manual	horizontal e para baixo	com/sem aspiração, sem protecção contra salpicos
Manual	para cima	com aspiração e protecção contra salpicos
Perfuração com coluna, fixação com base de vácuo	para baixo	com/sem aspiração, sem protecção contra salpicos
Perfuração com coluna, fixação com base de vácuo	horizontal	com/sem aspiração, sem protecção contra salpicos e com protecção fusível adicional da coluna
Perfuração com coluna, fixação com âncora	para baixo e horizontal	com/sem aspiração, sem protecção contra salpicos

### 3.9 Indicador de manutenção

Indicador luminoso/estado de funcionamento	Estado do Centro de Assistência Técnica
Vermelho aceso/a ferramenta arranca	As escovas de carvão estão muito gastas. Depois de a luz acender a primeira vez, ainda se pode trabalhar durante algumas horas, depois a ferramenta desliga-se automaticamente. Mande substituir as escovas atempadamente, para que a sua ferramenta esteja pronta a ser usada quando necessário.
Vermelho aceso/a ferramenta não arranca	Mande substituir as escovas de carvão.
Vermelho a piscar	Falha temporária, consultar "Ajuda em caso de avarias"

### 3.10 Indicador de performance de perfuração

Indicador luminoso	Força de pressão
Cor-de-laranja	insuficiente
verde	ótimo
vermelho	demasiado elevado

### 3.11 Níveis de rotação

A ferramenta dispõe de dois níveis de rotação: um nível de início de perfuração com rotação baixa e o nível de perfuração com rotação máxima.



Enquanto que o interruptor on/off só estiver meio pressionado, só está activo o nível de início de perfuração. O fluxo de água deveria ser ajustado a esta rotação. A rotação elevada do nível de perfuração é alcançada, quando o interruptor on/off estiver totalmente pressionado.

### 3.12 Incluído no fornecimento

Ferramenta com punho auxiliar e porta-ferramentas, manual de instruções.

Poderá encontrar outros produtos de sistema aprovados para o seu produto na sua **Hilti Store** ou em: [www.hilti.group](http://www.hilti.group)

### 3.13 Ferramentas

Designação	Sigla
Coroa diamantada de perfuração	DD-C
Extractor de carotes	DD-CB

### 3.14 Acessórios

Designação	Sigla
Coluna	DD-ST 30
Coroas de perfuração	DD-C, diâmetro 8 - 35 mm
Conjunto de acessórios para fixação do suporte com âncora	DD M12 S
Limitador de profundidade para coluna	DD-ST 30-ES
Protecção contra salpicos	DD-30-W-CV

## 4 Características técnicas

### 4.1 Sistema de perfuração diamantado

Em caso de alimentação por um gerador ou transformador, a respectiva potência de saída mínima deverá corresponder ao dobro da potência nominal indicada na placa de características da ferramenta. A tensão de serviço do transformador ou gerador deverá encontrar-se sempre entre +5% e -15% da tensão nominal da ferramenta.

As indicações são válidas para uma tensão nominal de 120 V. As indicações podem variar, no caso de tensões diferentes e de versões apenas disponíveis em alguns países. Verifique sempre a tensão nominal, frequência e a potência ou a corrente nominais na placa de características.

<b>Peso</b>	16,8 lb (7,6 kg)
<b>Diâmetro da coroa de perfuração</b>	0,3 in ... 1,4 in (8 mm ... 35 mm)
<b>Classe de protecção</b>	I
<b>Velocidade nominal em vazio</b>	9 200 rpm

### 4.2 Tensão nominal

Tensão nominal

Tensão nominal	120 V
Frequência [Hz]	60
Corrente nominal [A]	15,0

## 5 Preparação do local de trabalho

### 5.1 Antes de iniciar

- ▶ Não ligue a ferramenta à corrente eléctrica enquanto estiver a fazer os preparativos.



 **AVISO**

**Possíveis danos no edifício devido aos trabalhos de perfuração!** Os trabalhos de perfuração em edifícios e outras estruturas podem influenciar a estática da estrutura, especialmente quando se cortam vigas de reforço ou outros componentes de suporte.

- ▶ Deverá obter-se previamente autorização antes do início de trabalhos de perfuração e corte.

 **AVISO**

**Perigo devido a choque eléctrico!** Perigo de acidente devido a perfuração inadvertida de tubagens eléctricas, gás e água. No caso de perfuração de cabos eléctricos, as partes metálicas externas do sistema de perfuração podem tornar-se condutoras.

- ▶ Antes de iniciar a perfuração, examine a área de trabalho, por exemplo com um detector de metais, quanto à existência de tubagens eléctricas, de gás e de água.
- ▶ Antes do corte de ferros da armadura, obtenha a autorização do engenheiro responsável.
- ▶ Certifique-se de que a tensão de rede coincide com a indicada na placa de características.
- ▶ Antes de mudar de local, retire a ficha de rede da tomada, por ex. antes de levar a ferramenta para o próximo ponto de perfuração.
- ▶ Coloque sempre os cabos de rede e as mangueiras de modo a que não entrem em contacto com peças em rotação.
- ▶ Não suspenda o perfurador diamantado e/ou a coluna com uma grua.
- ▶ Antes da utilização de uma bomba de vácuo, familiarize-se com o conteúdo do manual de instruções e siga as instruções.
- ▶ Certifique-se de que o ponteiro no manómetro se encontra na faixa verde antes e durante a perfuração sem percussão.
- ▶ Verifique se o anel de corte apresenta uma altura de, pelo menos, 2 mm. **Se tal não suceder, substitua a coroa de perfuração, caso contrário a coroa de perfuração pode encravar na furação.**
- ▶ Para evitar ferimentos, utilize apenas coroas de perfuração **DD-C** originais da **Hilti** e acessórios originais para a **DD 30-W**.

## 5.2 Preparação da ferramenta para perfuração com ferramenta conduzida manualmente

### 5.2.1 Posicionar o punho auxiliar

1. Retire a ficha de rede da tomada.
2. Abra a abraçadeira de aperto do punho auxiliar, rodando o punho.
3. Fixe o punho auxiliar na posição pretendida.



Juntamente com o punho auxiliar, pode montar um limitador de profundidade (→ Página 76).

4. Fixe firmemente o punho auxiliar, apertando o punho.

### 5.2.2 Colocar o limitador de profundidade

1. Retire a ficha de rede da tomada.
2. Abra a abraçadeira de aperto do punho auxiliar, rodando o punho.
3. Insira o limitador de profundidade, a partir da frente, na abertura prevista para o efeito, no punho auxiliar.
4. Seleccione a profundidade desejada.
5. Fixe o limitador de profundidade, apertando o punho auxiliar.

### 5.2.3 Montar a protecção contra salpicos

 **AVISO**

**Perigo de choque eléctrico!** Na perfuração manual para cima sem as medidas de protecção prescritas pode entrar água na ferramenta e causar perigos devido a choque eléctrico.

- ▶ **Na perfuração manual para cima utilize sempre um sistema de colecta de água com aspirador a húmido e a protecção contra salpicos.**

1. Retire a ficha de rede da tomada.
2. Empurre a protecção contra salpicos, a partir da frente, sobre o porta-ferramentas para a carcaça da engrenagem do sistema de perfuração.



## 5.2.4 Montar o varão do colector de água



Só é permitido perfurar sob as seguintes condições:

O varão do colector de água fornecido está montado e ajustado para o comprimento da coroa de perfuração utilizada.

No anel colector de água está aplicado um anel de centragem que se adapta ao diâmetro da coroa.

1. Retire a ficha de rede da tomada.
2. Empurre o varão do colector de água nas aberturas previstas na parte da frente da ferramenta, até que encaixe audivelmente.
3. Com o cursor, ajuste a faixa de comprimento para a coroa de perfuração utilizada. Para comprimentos da coroa de perfuração até 150 mm, coloque o cursor na posição **150**, para os comprimentos da coroa de perfuração 300 mm e 600 mm, na posição **300**.

## 5.2.5 Montar ou substituir o anel de centragem



### AVISO

**Perigo devido a choque eléctrico!** Em caso de utilização de um anel de centragem errado, nas aplicações acima da cabeça, pode entrar água no interior do sistema de perfuração diamantado.

► **Utilize sempre um anel de centragem com o mesmo diâmetro da coroa de perfuração.**

1. Retire a ficha de rede da tomada.
2. Coloque o anel de centragem nas ranhuras do anel colector de água e empurre o anel de centragem para baixo, até encaixar audivelmente.
3. Para remover, rode o anel de centragem no sentido contrário ao dos ponteiros do relógio e puxe para cima, para fora do anel colector de água.

## 5.2.6 Montar a coroa de perfuração



### AVISO

**Risco de ferimentos devido a objectos projectados!** As coroas de perfuração com fragmentos e fissuras, assim como coroas de perfuração extremamente desgastadas pode provocar a projecção de pedaços partidos da peça a trabalhar ou das coroas de perfuração partidas e causar ferimentos, também fora da área de trabalho.

► Antes de cada utilização, verifique a coroa de perfuração quanto a fragmentos e fissuras, desgaste ou forte deterioração e, se necessário, substitua-a.



Coroas diamantadas têm de ser substituídas logo que a capacidade de corte ou o avanço da perfuração diminuir perceptivelmente. Isso acontece em geral quando a altura dos segmentos diamantados é inferior a 2 mm.



A pulverização regular do porta-ferramentas com spray **Hilti** facilita a montagem da coroa de perfuração.

1. Retire a ficha de rede da tomada.
2. Para abrir o porta-ferramentas, puxe o fecho do porta-ferramentas para cima, até ao batente.



Verifique se o encabadouro da coroa de perfuração e o porta-ferramentas estão limpos e sem danos.

3. Incline o anel colector de água sobre o seu eixo de fixação até ao batente.
4. Insira a coroa de perfuração com o anel de corte, a partir de cima, no anel de centragem do anel colector de água.
5. Insira o encabadouro da coroa de perfuração direccionado para os recortes, no porta-ferramentas.
6. Rode a coroa de perfuração até ao batente, com uma ligeira força de pressão.
7. Para fixar a coroa de perfuração, feche o fecho do porta-ferramentas.

## 5.2.7 Ligar o sistema de extracção

1. Estabeleça uma ligação segura entre a mangueira do colector de água do sistema de perfuração e a mangueira de aspiração do aspirador universal. Para o efeito, utilize um adaptador de mangueira.



2. Ligue a mangueira de aspiração do aspirador universal ao aspirador universal.
3. Nas perfurações acima da cabeça, utilize o suporte no punho auxiliar, para fixar a mangueira do colectores de água.

### 5.3 Preparação para perfuração com coluna

#### AVISO

**Risco de ferimentos!** A coluna pode rodar ou virar em caso de fixação insuficiente.

- ▶ Antes da utilização do perfurador diamantado, fixe a coluna com buchas ou através de uma base de vácuo no material base a trabalhar.
- ▶ Utilize apenas buchas adequadas ao material base existente e tenha em atenção as instruções de montagem do fabricante da bucha.
- ▶ Só utilize uma base de vácuo, se o material base existente se adequar à fixação da coluna com uma fixação por vácuo.

A coluna e a ferramenta só podem ser fixadas ou com a base de vácuo ou com o conjunto de acessórios **DD M12 S**, portanto com a âncora **HKD-D M12x50**, o fuso tensor **DD-LR-CLS** e a porca **DD-LR-CLN**.

#### AVISO

**Perigo de choque eléctrico devido a fuga de água!** Na perfuração com coluna não é possível montar nenhuma protecção contra salpicos. Por isso, na perfuração com coluna para cima, a ferramenta não está protegida contra a entrada de água.

- ▶ **Nunca perfure para cima com coluna!**



A perfuração com coluna só é possível sem punho auxiliar e sem protecção contra salpicos.

#### 5.3.1 Montar o varão do colectores de água



Só é permitido perfurar sob as seguintes condições:

O varão do colectores de água fornecido está montado e ajustado para o comprimento da coroa de perfuração utilizada.

No anel colectores de água está aplicado um anel de centragem que se adapta ao diâmetro da coroa.

1. Retire a ficha de rede da tomada.
2. Empurre o varão do colectores de água nas aberturas previstas na parte da frente da ferramenta, até que encaixe audivelmente.
3. Com o cursor, ajuste a faixa de comprimento para a coroa de perfuração utilizada. Para comprimentos da coroa de perfuração até 150 mm, coloque o cursor na posição **150**, para os comprimentos da coroa de perfuração 300 mm e 600 mm, na posição **300**.

#### 5.3.2 Fixar a ferramenta e a coluna com vácuo

#### AVISO

**Risco de ferimentos** Perigo devido a queda do perfurador diamantado.

- ▶ Ao perfurar na horizontal, o suporte de coluna tem de ser segurado adicionalmente com uma corrente.

##### 5.3.2.1 Posicionar a base de vácuo

1. Marque o centro do furo com uma cruz, cujas linhas sejam mais compridas do que o diâmetro do anel colectores de água.



O anel colectores de água tem quatro marcas salientes, que pode alinhar sobre a cruz.

2. Ajuste os 4 parafusos de nivelamento da base de vácuo de forma a que sobressaiam aprox. 5 mm na parte de baixo da base de vácuo.
3. Posicione a base de vácuo com uma distância de 21 cm relativamente ao centro do furo.
4. Una a ligação de vácuo da base de vácuo à bomba de vácuo.
5. Ligue a bomba de vácuo.
6. Mantenha a válvula de ventilação para vácuo pressionada, enquanto corrige a posição da base de vácuo.





### 5.3.2 Fixação da coluna na base de vácuo

1. Ligue a bomba de vácuo.
2. Fixe a coluna com a alavanca de aperto na base de vácuo.
3. Nivele a coluna com ambos os parafusos de nivelamento.

### 5.3.3 Montar a ferramenta na coluna **18**



Na fixação por vácuo, antes da fixação da ferramenta na coluna certifique-se que a coluna está fixa de forma segura.

1. Retire a ficha de rede da tomada.
2. Bloquee o patim da coluna na distância máxima relativamente ao material base.



O patim tem de ser bloqueado na posição superior. Desta forma é possível montar a ferramenta com o varão do colector de água, sem que o anel colector de água toque no material base.

3. Abra o mordente de fixação com o parafuso de bloqueio.
4. Insira o sistema de perfuração no patim.
5. Feche o montante de fixação com o parafuso de bloqueio.
6. Certifique-se de que o sistema de perfuração está correctamente fixado no suporte.

### 5.3.4 Fixar a ferramenta e a coluna com âncora



A fixação da coluna com âncora pressupõe a utilização do conjunto de acessórios **DD M12 S** que, entre outros, também contém o fuso tensor **DD-LR-CLS** e a porca **DD-LR-CLN**.

1. Marque o centro do furo com uma cruz, cujas linhas sejam mais compridas do que o diâmetro do anel colector de água.



O anel colector de água tem quatro marcas salientes, que pode alinhar sobre a cruz.

2. Coloque a âncora **Hilti HKD-D M12x50** para a fixação da placa adaptadora da coluna, a uma distância de 12 cm da marcação do centro do furo.



Ao colocar a âncora, tenha em atenção as instruções de utilização da âncora!

3. Fixe a ferramenta na coluna. → Página 79
4. Rode ambos os parafusos de nivelamento para trás, até que deixem de estar salientes.
5. Coloque a coluna com a ferramenta montada no fuso tensor e fixe-a provisoriamente com a porca (conjunto de acessórios **DD M12 S**).



Aperte o fuso somente quando a coroa de perfuração estiver direccionada exactamente para o centro do furo (→ Página 80).

6. Nivele a coluna com os dois parafusos de nivelamento.

### 5.3.5 Montar o volante **14**



O volante pode ser aplicado de ambos os lados do suporte.

1. Ajuste o volante no eixo.
2. Insira o contrapino aberto através da furação.
3. Feche o contrapino.

### 5.3.6 Montar ou substituir o anel de centragem **10**

1. Retire a ficha de rede da tomada.
2. Coloque o anel de centragem nas ranhuras do anel colector de água e empurre o anel de centragem para baixo, até encaixar audivelmente.
3. Para remover, rode o anel de centragem no sentido contrário ao dos ponteiros do relógio e puxe para cima, para fora do anel colector de água.



### 5.3.7 Montar a coroa de perfuração **11**

**AVISO**

**Risco de ferimentos devido a objectos projectados!** As coroas de perfuração com fragmentos e fissuras, assim como coroas de perfuração extremamente desgastadas pode provocar a projecção de pedaços partidos da peça a trabalhar ou das coroas de perfuração partidas e causar ferimentos, também fora da área de trabalho.

- ▶ Antes de cada utilização, verifique a coroa de perfuração quanto a fragmentos e fissuras, desgaste ou forte deterioração e, se necessário, substitua-a.



Coroas diamantadas têm de ser substituídas logo que a capacidade de corte ou o avanço da perfuração diminuir perceptivelmente. Isso acontece em geral quando a altura dos segmentos diamantados é inferior a 2 mm.



A pulverização regular do porta-ferramentas com spray **Hilti** facilita a montagem da coroa de perfuração.

1. Retire a ficha de rede da tomada.
2. Para abrir o porta-ferramentas, puxe o fecho do porta-ferramentas para cima, até ao batente.



Verifique se o encabadouro da coroa de perfuração e o porta-ferramentas estão limpos e sem danos.

3. Incline o anel colector de água sobre o seu eixo de fixação até ao batente.
4. Insira a coroa de perfuração com o anel de corte, a partir de cima, no anel de centragem do anel colector de água.
5. Insira o encabadouro da coroa de perfuração direccionado para os recortes, no porta-ferramentas.
6. Rode a coroa de perfuração até ao batente, com uma ligeira força de pressão.
7. Para fixar a coroa de perfuração, feche o fecho do porta-ferramentas.

### 5.3.8 Ligar o sistema de extracção

1. Estabeleça uma ligação segura entre a mangueira do colector de água do sistema de perfuração e a mangueira de aspiração do aspirador universal. Para o efeito, utilize um adaptador de mangueira.
2. Ligue a mangueira de aspiração do aspirador universal ao aspirador universal.
3. Nas perfurações acima da cabeça, utilize o suporte no punho auxiliar, para fixar a mangueira do colector de água.

## 5.4 Alinhar sistema de perfuração no centro do furo

### 5.4.1 Posicionar o sistema de perfuração com base de vácuo para perfurar **15**

1. Certifique-se de que o sistema de perfuração está fixado de forma segura (ponteiro do manómetro na faixa verde).
2. Para o posicionamento exacto do sistema de perfuração no centro do furo, pressione a válvula de ventilação para vácuo e corrija a posição do suporte.
3. Quando o sistema de perfuração estiver correctamente posicionado, solte a válvula de ventilação para vácuo e pressione o sistema de perfuração contra o material base.
4. Nivele a base de vácuo com os 4 parafusos de nivelamento.

### 5.4.2 Posicionar o sistema de perfuração, com fixação por âncora, para a perfuração

1. Para o posicionamento exacto do sistema de perfuração no centro do furo, solte cuidadosamente o fuso tensor, até que seja possível mover a coluna, e corrija a posição da coluna.
2. Nivele a placa adaptadora da coluna com os 2 parafusos de nivelamento.
3. Quando o sistema de perfuração estiver correctamente posicionado, aperte firmemente o fuso tensor.



## 5.5 Fazer a ligação do fornecimento de electricidade e água

### AVISO

**Perigo de choque eléctrico devido a fuga de água!** Um O-ring danificado ou incorrectamente fixado na ligação para a mangueira da água da ferramenta, pressão demasiado elevada da água, conexões com as mangueiras danificadas e faltas de estanqueidade do sistema de alimentação de água podem causar fuga de água e perigo de choque eléctrico.

- ▶ **Verifique regularmente a ferramenta, as ligações para a mangueira da água, as mangueiras e as conexões com as mangueiras quanto a danos e certifique-se de que a pressão máxima da água permitida de 6 bar não é excedida.**

Utilize apenas água potável ou água sem partículas de sujidade de modo a evitar uma danificação dos componentes.

A temperatura máxima da água permitida é de 40°C (104°F).

Para a versão GB, em vez do PRCD é utilizado um transformador.

1. Ligue o tubo de fornecimento de água à ligação para a mangueira da água do sistema de perfuração, com uma peça de acoplamento adequada.
2. Certifique-se de que o tubo de fornecimento de água está ligado de forma segura à ligação para a mangueira da água do sistema de perfuração.
3. Abra o abastecimento de água e certifique-se quanto à estanqueidade da ligação para a mangueira da água no sistema de perfuração.
4. Insira a ficha de rede da ferramenta numa tomada com ligação à terra.
5. Pressione a tecla **I** ou **Reset** no disjuntor diferencial (PRCD).
  - ▶ A indicação no disjuntor diferencial (PRCD) tem de acender.
6. Pressione a tecla **0** ou **TESTE** no disjuntor diferencial (PRCD).

A indicação no disjuntor diferencial (PRCD) tem de apagar.

### AVISO

**Perigo de ferimentos devido a choque eléctrico!** Se a indicação no disjuntor diferencial não apagar ao pressionar a tecla **0** ou **TESTE**, o perfurador diamantado não poderá continuar a ser utilizado!

- ▶ Mandar reparar o seu perfurador diamantado no Centro de Assistência Técnica **Hilti**.

7. Volte a ligar o disjuntor diferencial (PRCD) após o teste, pressionando a tecla **0** ou **TESTE**.

## 6 Perfurar

### AVISO

**Perigo de acidente!** O contacto de peças em rotação com tubagens de água ou electricidade pode causar acidentes graves.

- ▶ Certifique-se de que as peças em rotação não vão entrar em contacto com tubagens de água e electricidade.

### AVISO

**Risco de ferimentos devido a ferramenta bloqueada!** A ferramenta possui, em conformidade com as suas aplicações, um binário elevado. Em caso de bloqueio repentino da ferramenta, esta pode mover-se repentinamente e com muita força.

- ▶ Utilize o punho auxiliar e trabalhe sempre com ambas as mãos na ferramenta. Conte sempre com um bloqueio repentino da ferramenta.



 **AVISO**

**Perigo de acidente!** Durante os furos de atravessamento de paredes e tectos os materiais ou a carote podem cair para trás ou para baixo.

- ▶ Antes de efectuar furos de atravessamento de paredes e tectos, proteja a parte de trás e a parte de baixo da área.

 **AVISO**

**Risco de ferimentos devido a estilhaços projectados!** O processo de perfuração pode dar origem a estilhaços perigosos. Os estilhaços podem provocar ferimentos no corpo e nos olhos.

- ▶ Use óculos de protecção, vestuário de protecção e um capacete de protecção.

 **AVISO**

**Risco de ferimentos.** A ferramenta e o processo de furação geram ruído. O ruído em excesso pode causar perda de audição.

- ▶ Use protecção auricular.

## 6.1 Perfuração manual

 **AVISO**

**Perigo de choque eléctrico!** Na perfuração manual para cima sem as medidas de protecção prescritas pode entrar água na ferramenta e causar perigos devido a choque eléctrico.

- ▶ **Na perfuração manual para cima utilize sempre um sistema de colecta de água com aspirador a húmido e a protecção contra salpicos.**

 **AVISO**

**Perigo devido a choque eléctrico!** Em caso de utilização de um anel de centragem errado, nas aplicações acima da cabeça, pode entrar água no interior do sistema de perfuração diamantado.

- ▶ **Utilize sempre um anel de centragem com o mesmo diâmetro da coroa de perfuração.**

1. Insira a ficha de rede do sistema de perfuração numa tomada da rede ou, ao utilizar uma aspiração, na tomada do aspirador universal (desde que exista uma tomada no aspirador universal).
2. Em caso de utilização de uma aspiração, insira a ficha de rede do aspirador universal na tomada e ligue o interruptor do aspirador em **AUTO** ou em **ON** ou **I**.
3. Ligue o disjuntor diferencial (PRCD) (consultar → Página 81).



O aspirador universal arranca automaticamente em modo **AUTO** com retardação, após o sistema de perfuração. Depois de desligar o sistema de perfuração, o aspirador universal em modo **AUTO** desliga automaticamente com retardação. Em **ON** ou modo **I** terá de ligar e desligar o aspirador manualmente.

4. Marque o centro do furo com uma cruz, cujas linhas sejam mais compridas do que o diâmetro do anel colector de água.



O anel colector de água tem quatro marcas salientes, que pode alinhar sobre a cruz.

5. Mantenha o interruptor on/off do sistema de perfuração pressionado, ajuste a alavanca de regulação da água para a quantidade de água pretendida e volte a soltar o interruptor on/off.




O abastecimento de água é ligado e desligado automaticamente com o interruptor on/off do sistema de perfuração. A quantidade de água pode ser pré-ajustada antes da furação, rodando a alavanca de regulação da água ou durante a furação (quantidade mínima de água com alavanca de regulação da água fechada: aprox. 0,3 l/min).

6. Coloque cuidadosamente o anel colector de água sobre o ponto de perfuração, sem que a coroa de perfuração toque no material base.
7. Tape as linhas da marcação do furo com as quatro marcações no anel colector de água.
8. Certifique-se de que a coroa de perfuração não toca no material base e prima até metade interruptor on/off para o nível de início de perfuração.
9. Se estiver a furar para cima, aguarde até que a coroa de perfuração esteja cheia com água.
  - ▶ Desta forma, a coroa de perfuração é arrefecida e protegida contra danos devido a perfuração a seco.




10. Pressione levemente a coroa de perfuração contra o material base.
  - ▶ Após ligar (interruptor on/off meio premido), o sistema de perfuração funciona no nível de perfuração lento, de modo a evitar um desvio da coroa de perfuração no início da perfuração.
11. Assim que sentir que a coroa de perfuração agarra de modo uniforme, pressione o interruptor on/off por completo.
  - ▶ Assim que o interruptor on/off for totalmente pressionado, a coroa de perfuração poderá rodar com rotação máxima.


---

 Seleccione a força de pressão de forma a que o sistema de perfuração funcione com rotação máxima. Neste caso, é alcançada a capacidade de perfuração ideal (o indicador de performance de perfuração acende a verde). Uma força de pressão mais elevada não provoca nenhum aumento da velocidade de perfuração (o indicador de performance de perfuração acende a vermelho).

---

 Insira a coroa de perfuração a direito no furo. Uma inclinação da coroa de perfuração no furo pode reduzir a capacidade de perfuração.

---

 Tenha sempre atenção para que o fluxo de água esteja correcto. Para controlo, observe o medidor de fluxo da água.

---

## 6.2 Perfuração com coluna

### AVISO

**Perigo de choque eléctrico devido a fuga de água!** Na perfuração com coluna não é possível montar nenhuma protecção contra salpicos. Por isso, na perfuração com coluna para cima, a ferramenta não está protegida contra a entrada de água.

- ▶ **Nunca perfure para cima com coluna!**
- 

### AVISO

**Perigo de acidente!** Durante os furos de atravessamento de paredes e tectos os materiais ou a carote podem cair para trás ou para baixo.


- ▶ Antes de efectuar furos de atravessamento de paredes e tectos, proteja a parte de trás e a parte de baixo da área.
- 

### AVISO

**Risco de ferimentos** Perigo devido a queda do perfurador diamantado.

- ▶ Ao perfurar na horizontal, o suporte de coluna tem de ser segurado adicionalmente com uma corrente.
- 

1. Caso utilize um aspirador a húmido, conecte um sistema de extracção (→ Página 80) e tenha em atenção os passos 1 a 3 na secção para perfuração manual (→ Página 82).
  2. Insira a ficha de rede na tomada e ligue o disjuntor diferencial (PRCD) (consultar secção para ligação de electricidade e água, → Página 81).
  3. Abra o mecanismo de travamento do patim.
  4. Conduza o patim para baixo, com o volante, até que o anel colector de água esteja ligeiramente sobre o material base.
  5. Mantenha pressionado o interruptor on/off da ferramenta, ajuste a alavanca de regulação da água para a quantidade de água pretendida e volte a soltar o interruptor on/off.
- 

 O abastecimento de água é ligado ou desligado automaticamente com o interruptor on/off da ferramenta. A quantidade de água pode ser predefinida antes da perfuração, rodando a alavanca de regulação da água ou durante a perfuração (quantidade mínima de água com alavanca de regulação da água fechada: aprox. 0,3 l/min).

---

6. Ligue a ferramenta em regime contínuo, com o bloqueio do interruptor, pressionando totalmente o interruptor on/off e accionando depois o botão de bloqueio do interruptor.
7. Rode a coroa diamantada de perfuração, com o volante, até ao material base.
8. No início da perfuração pressione levemente, até que a coroa de perfuração esteja centrada, só depois deve reforçar a força de pressão.
9. Assim que sentir que a coroa de perfuração está centrada e a rodar uniformemente, aumente a força de pressão contra o material base.



10. Regule a força de pressão de acordo com o indicador de performance de perfuração.



Selecione a força de pressão de forma a que a ferramenta funcione com rotação máxima; Neste caso, é alcançada a capacidade de perfuração ideal (o indicador de performance de perfuração acende a verde). Uma força de pressão mais elevada não provoca nenhum aumento da capacidade de perfuração (o indicador de performance de perfuração acende a vermelho).



Durante a perfuração, observe o fluxo de água. Para controlo, utilize o medidor de fluxo da água.

### 6.3 Furações com a coroa de perfuração de 600 mm

1. Primeiro efectue uma pré-furação com uma coroa de perfuração de 300 mm.

#### AVISO

**Risco de ferimentos.** Na perfuração com a coroa de perfuração de 600 mm sem pré-furação a ferramenta pode ficar fora de controlo, ficar danificada e provocar ferimentos.

► Efectue sempre uma pré-furação. Antes de continuar a perfuração, certifique-se de que inseriu a coroa de perfuração de 600 mm na pré-furação, até à base do furo.

2. Após a substituição da coroa de perfuração, insira a coroa de perfuração de 600 mm, com a ferramenta desligada, até à base do furo, no furo pré-perfurado.

3. Prossiga a perfuração.

### 6.4 Desligar a ferramenta

1. Desligue a ferramenta ao alcançar a profundidade de furação pretendida ou após conclusão da perfuração. Se trabalhar com bloqueio do interruptor, pressione o interruptor on/off, para soltar o bloqueio.

#### AVISO

**Risco de ferimentos!** Ao levantar o anel colector de água do material base com a coroa de perfuração em funcionamento pode haver projecção de carotes da coroa de perfuração. Isso pode provocar ferimentos.

► Levante o anel colector de água do material base somente quando a coroa de perfuração estiver parada.

2. Retire a coroa de perfuração do furo enquanto a ferramenta está a parar.

► O abastecimento de água é automaticamente desligado com o interruptor on/off da ferramenta.

### 6.5 Desmontar e esvaziar a coroa de perfuração 17

1. Retire a ficha de rede da tomada.

#### CUIDADO

**Risco de ferimentos ao efectuar a substituição de acessórios !** O acessório fica quente após utilização prolongada. Pode apresentar arestas vivas.

► Use sempre luvas de protecção durante a substituição de acessórios.

#### AVISO

**Risco de ferimentos.** A carote ou partes da mesma podem cair da coroa de perfuração.

► Tenha atenção para que a carote não caia descontroladamente da coroa de perfuração. Retire todas as partes da carote da coroa de perfuração.

2. Abra o porta-ferramentas. Para isso, retire o fecho do porta-ferramentas para cima, até ao batente.



Mantenha a ferramenta com a ponta da coroa de perfuração ligeiramente inclinada para baixo, para que a água possa escorrer da coroa de perfuração.

3. Rode a coroa de perfuração até ao batente.

4. Retire a coroa de perfuração do porta-ferramentas.

5. Rode a coroa de perfuração para fora do eixo de prolongamento do porta-ferramentas.

6. Retire a coroa de perfuração do anel colector de água.

7. Segure bem a coroa de perfuração e agite a carote para a tirar da coroa de perfuração, através do encabadouro, para trás. Se ficarem partes da carote encravadas na coroa de perfuração, bata com a



coroa de perfuração na perpendicular, para baixo, contra um objecto macio (madeira, plástico) ou utilize uma vareta estreita (por ex. o limitador de profundidade) para soltar a carote.

8. Feche o fecho do porta-ferramentas.

## 6.6 Remover a carote do furo

1. Insira o extractor de carotes no furo, rodando ligeiramente, até ao batente.



Assegure-se de que o diâmetro do extractor de carotes (acessório opcional) coincide com o diâmetro de perfuração da coroa de perfuração utilizada.

2. Quebre a carote fazendo uma ligeira pressão lateral no extractor de carotes.
3. Retire a carote quebrado do furo, com o extractor de carotes.
4. Meça a profundidade do furo efectivamente conseguida, com uma escala.

## 6.7 Eliminação da lama resultante da perfuração

1. Recolha a lama resultante da perfuração (por ex. com um aspirador a húmido).
2. Permita que a lama resultante da perfuração sedimente e recicle esses resíduos sólidos de forma apropriada.



Os agentes de floculação podem acelerar o processo de sedimentação.

3. Antes de encaminhar a água de perfuração restante (alcalina, valor de pH > 7) para a canalização, neutralize-a adicionando agente de neutralização ácido ou diluindo em bastante água.

## 7 Conservação e manutenção



### AVISO

**Perigo devido a choque eléctrico!** A conservação e manutenção com a ficha de ligação inserida pode originar ferimentos graves e queimaduras.

- ▶ Retirar sempre a ficha de ligação antes de todos os trabalhos de conservação e manutenção!

### Conservação

- Remover a sujidade persistente com cuidado.
- Limpe as saídas de ar cuidadosamente com uma escova seca.
- Limpar a carcaça apenas com um pano ligeiramente humedecido. Não utilizar produtos de conservação que contenham silicone, uma vez que estes poderiam danificar os componentes de plástico.

### Conservação das ferramentas e dos componentes metálicos

- ▶ Remover a sujidade persistente.
- ▶ Proteger a superfície das ferramentas e do porta-ferramentas contra corrosão, esfregando de vez em quando com um pano impregnado em óleo.
- ▶ Manter o encabadouro sempre limpo e ligeiramente oleado.

### Manutenção



### AVISO

**Perigo devido a choque eléctrico!** Reparações incorrectas em peças eléctricas podem causar ferimentos e queimaduras graves.

- ▶ As reparações na parte eléctrica apenas podem ser executadas por um electricista especializado.
- Verificar, regularmente, todos os componentes visíveis quanto a danos e os comandos operativos quanto a funcionamento perfeito.
- Em caso de danos e/ou perturbações de funcionamento, não operar a ferramenta eléctrica. Mandar reparar de imediato pelo Centro de Assistência Técnica **Hilti**.
- Nas versões com cabo de alimentação substituível, é permitido que um electricista especializado substitua o cabo de alimentação.
- Após os trabalhos de conservação e manutenção, aplicar todos os dispositivos de protecção e verificar o respectivo funcionamento.




 Para um funcionamento seguro, utilize apenas peças sobresselentes e consumíveis originais. Poderá encontrar as peças sobresselentes, consumíveis e acessórios aprovados por nós para o seu produto no seu Centro de Assistência **Hilti** ou em: [www.hilti.group](http://www.hilti.group)

## 7.1 Substituir as escovas de carvão


### AVISO

#### Perigo de ferimentos devido a choque elétrico !

- ▶ A manutenção e reparação da ferramenta só deve ser feita por pessoal devidamente autorizado e especializado! Estas pessoas deverão ser informadas sobre os potenciais perigos que a ferramenta representa.


 Quando a luz indicadora com o símbolo de chave inglesa acender, significa que as escovas de carvão têm de ser substituídas.

1. Retire a ficha de rede da tomada.
2. Abra as tampas laterais (esquerda e direita) das escovas do motor.
3. **Repare na forma como estão colocadas as escovas e instalados os fios.** Retire as escovas gastas do perfurador diamantado.
4. Coloque as escovas novas exactamente da mesma forma como estavam as usadas.

 Ao colocá-las, preste atenção para não danificar o isolamento do fio de aviso.

5. Aparafuse as tampas laterais (esquerda e direita) das escovas no motor.
6. Deixe as escovas de carvão trabalhar em vazio ininterruptamente durante, pelo menos, 1 minuto.
  - ▶ Após aprox. 1 minuto de tempo de operação com as novas escovas de carvão, a luz indicadora apaga.

## 7.2 Limpar o visor de observação da água

 Ao efectuar a limpeza do visor de observação da água, tenha em atenção a limpeza do seu posto de trabalho. Durante o trabalho de limpeza, não deve entrar nenhuma sujidade na parte de dentro do medidor do fluxo de água.

1. Abra os dois parafusos do visor com uma chave de parafusos Torx TX 15.
2. Levante o visor para cima.
3. Retire o volante da quantidade de água com o eixo.
4. Remova as partículas de sujidade existentes sob água corrente.
5. Antes da montagem, verifique o disco vedante no visor quanto a danos e, se necessário, substitua-o.
6. Certifique-se de que o disco vedante assenta exactamente na guia. Por outro lado, o disco vedante pode ficar danificado entre os componentes de plástico e perder a estanqueidade durante a montagem do visor.
7. Volte a colocar o volante com o eixo.
8. Pressione o visor novamente na sua guia.
9. Volte a colocar os parafusos Torx da fixação do visor e volte a apertá-los.


## 8 Ajuda em caso de avarias

No caso de avarias que não sejam mencionadas nesta tabela ou se não conseguir resolvê-las por si mesmo, contacte o nosso Centro de Assistência Técnica **Hilti**.








## 8.1 O perfurador diamantado está pronto a funcionar

Avaria	Causa possível	Solução
 <p>Indicador de manutenção está aceso.</p>	<p>O limite de desgaste das escovas de carvão está quase alcançado. O tempo de funcionamento restante até à desactivação automática do perfurador diamantado ainda é de algumas horas.</p>	<ul style="list-style-type: none"> <li>▶ Substitua as escovas de carvão logo que possível.</li> </ul>
	<p>As escovas de carvão foram substituídas e tem de se fazer a rodagem.</p>	<ul style="list-style-type: none"> <li>▶ Deixe as escovas de carvão trabalhar em vazio ininterruptamente durante, pelo menos, 1 minuto.</li> </ul>
<p>O perfurador diamantado não atinge a plena potência.</p>	<p>Perturbação na rede – ocorreu um caso de subtensão na rede eléctrica.</p>	<ul style="list-style-type: none"> <li>▶ Verifique se existem outros consumidores na rede eléctrica ou, eventualmente, no gerador que possam originar problemas.</li> <li>▶ Verifique o comprimento do cabo de extensão utilizado.</li> </ul>
<p>A coroa diamantada de perfuração não roda.</p>	<p>A coroa diamantada de perfuração encravou no material base.</p>	<ul style="list-style-type: none"> <li>▶ Conduza o perfurador diamantado a direito.</li> <li>▶ Solte a coroa diamantada de perfuração com uma chave de forqueta: retire a ficha de rede da tomada. Segure a coroa perto do encabadouro com uma chave de forqueta adequada e solte-a, rodando-a.</li> </ul>
<p>A velocidade de perfuração vai diminuindo.</p>	<p>Atingida a profundidade máxima de perfuração.</p>	<ul style="list-style-type: none"> <li>▶ Retire a carote e utilize uma coroa de perfuração mais comprida.</li> </ul>
	<p>A carote fica presa no interior da coroa diamantada de perfuração.</p>	<ul style="list-style-type: none"> <li>▶ Retire a carote.</li> </ul>
	<p>Especificação errada para o material base.</p>	<ul style="list-style-type: none"> <li>▶ Selecione uma especificação da coroa diamantada de perfuração mais adequada.</li> </ul>
	<p>Grande percentagem de aço (identificável na água limpa com lima-lha).</p>	<ul style="list-style-type: none"> <li>▶ Selecione uma especificação da coroa diamantada de perfuração mais adequada.</li> </ul>
	<p>Coroa diamantada de perfuração com defeito.</p>	<ul style="list-style-type: none"> <li>▶ Verifique se a coroa diamantada de perfuração apresenta danos e, se necessário, substitua-a.</li> </ul>
	<p>Coroa diamantada de perfuração com muito desgaste.</p>	<ul style="list-style-type: none"> <li>▶ Afie a coroa diamantada de perfuração na placa de afiar.</li> </ul>
	<p>Volume de água demasiado alto.</p>	<ul style="list-style-type: none"> <li>▶ Reduza a quantidade de água com a regulação de água.</li> </ul>
	<p>Volume de água insuficiente.</p>	<ul style="list-style-type: none"> <li>▶ Controle o abastecimento de água à coroa diamantada de perfuração ou aumente a quantidade com a regulação de água.</li> <li>▶ Verifique o elemento de filtro na ligação para a mangueira da água.</li> </ul>
<p>Encabadouro sujo ou incorrectamente bloqueado.</p>	<ul style="list-style-type: none"> <li>▶ Limpe o encabadouro e monte correctamente a coroa diamantada de perfuração.</li> </ul>	




Avaria	Causa possível	Solução
Impossível introduzir a coroa diamantada de perfuração no mandril.	Encabadouro/mandril sujo ou danificado.	► Limpe o encabadouro ou o mandril, ou substitua-os.
	Alavanca do mandril não totalmente aberta.	► Abra a alavanca até ao batente.
A coroa diamantada de perfuração tem uma folga excessiva.	Encabadouro com defeito.	► Verifique o encabadouro e, se necessário, substitua-o.
	Alavanca do mandril não fechada.	► Feche a alavanca do mandril.
Nenhum fluxo de água.	Filtro ou medidor do fluxo de água entupidos.	► Retire o filtro ou o medidor de fluxo da água e lave-os.
Fuga de água no mandril durante o funcionamento.	Encabadouro/mandril sujo.	► Limpe o encabadouro ou o mandril.
	Disco vedante do porta-ferramentas com defeito.	► Verifique o disco vedante e, se necessário, substitua-o.

## 8.2 O perfurador diamantado não está pronto a funcionar

Avaria	Causa possível	Solução
 Indicador de manutenção não apresenta nenhuma indicação.	PRCD não está ligado.	► Verifique se o disjuntor diferencial PRCD está operacional e ligue-o.
	Alimentação eléctrica interrompida.	► Insira outra ferramenta eléctrica e verifique o funcionamento. ► Verifique as ligações de ficha, o cabo de rede, a linha de corrente e o fusível de rede.
	Água no motor.	► Deixe o perfurador diamantado secar totalmente num local quente e seco.
 Indicador de manutenção está aceso.	As escovas de carvão estão gastas.	► Mandre substituir as escovas de carvão. → Página 86
 Indicador de manutenção está a piscar.	O motor sobreaquece (por ex., devido a atrito elevado na parede e/ou força de pressão demasiado alta).	► Aguarde alguns minutos até que o motor tenha arrefecido ou deixe o perfurador diamantado a trabalhar em vazio para acelerar o processo de arrefecimento. ► Desligue o perfurador diamantado e volte a ligá-lo. ► Conduza o perfurador diamantado a direito e/ou reduza a força de pressão.

## 9 Reciclagem

 As ferramentas **Hilti** são, em grande parte, fabricadas com materiais recicláveis. Um pré-requisito para a reciclagem é que esses materiais sejam devidamente separados. Em muitos países, a **Hilti** aceita a sua ferramenta usada para reutilização. Para mais informações dirija-se ao Serviço de Clientes **Hilti** ou ao seu vendedor.



- Não deite as ferramentas eléctricas, aparelhos electrónicos e baterias no lixo doméstico!



### 9.1 Remoção da lama resultante da perfuração

Em termos ambientais, não é permitido que a lama resultante da perfuração atinja os rios, lagos ou os sistemas de esgotos sem que haja um pré-tratamento.

- ▶ Informe-se junto das autoridades locais acerca das regulamentações existentes.
- ▶ Elimine a lama resultante da perfuração. → Página 85

## 10 Garantia do fabricante

---

- ▶ Em caso de dúvidas quanto às condições de garantia, contacte o seu parceiro **Hilti** local.





This Product is Certified  
Ce produit est homologué  
Producto homologado por  
Este producto está registrado









Hilti Corporation  
LI-9494 Schaan  
Tel.:+423 234 21 11  
Fax:+423 234 29 65  
[www.hilti.com](http://www.hilti.com)



2048398