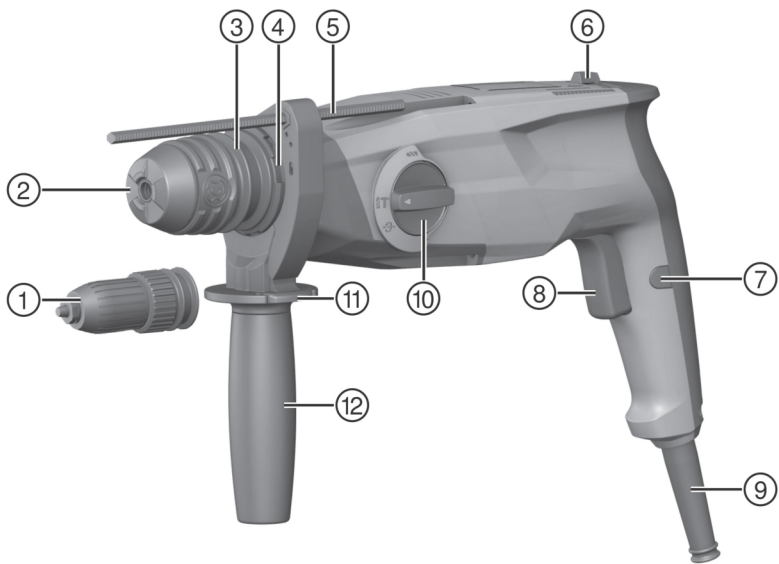




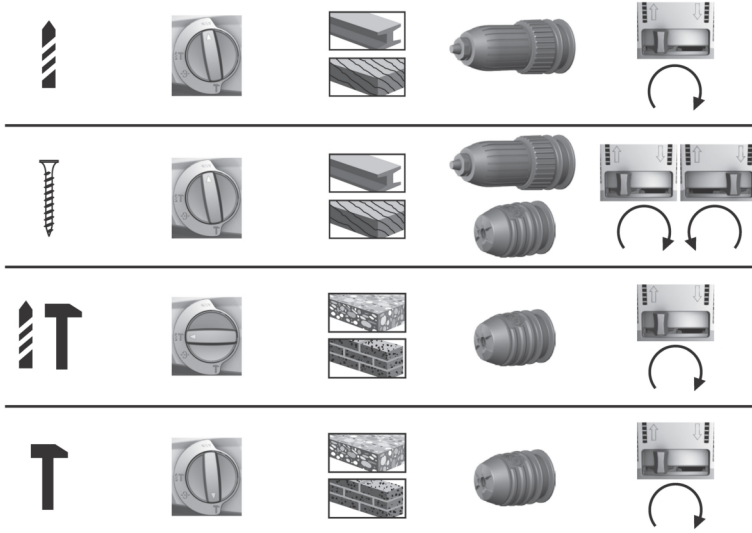
TE 3-M (01)  
TE 3-C (01)

|          |    |
|----------|----|
| English  | 1  |
| Français | 6  |
| Español  | 12 |

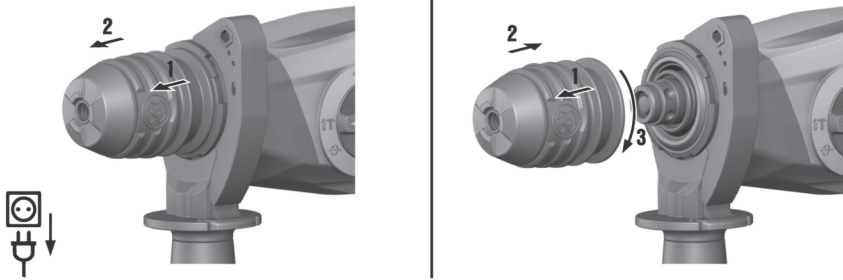




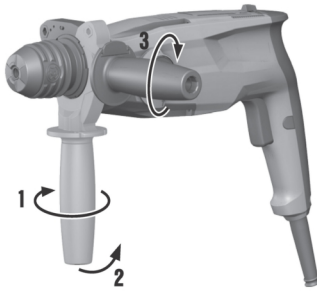
2



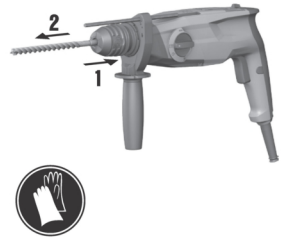
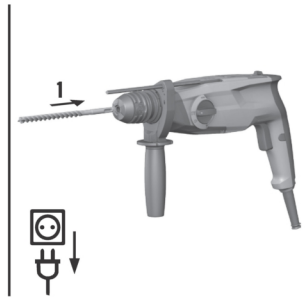
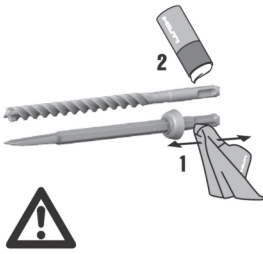
3



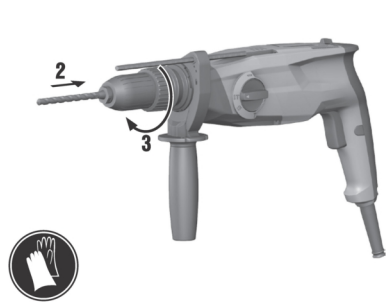
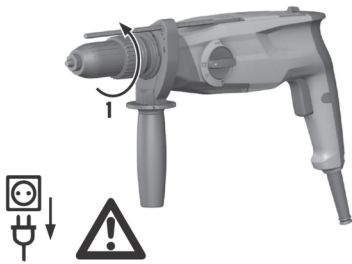
4



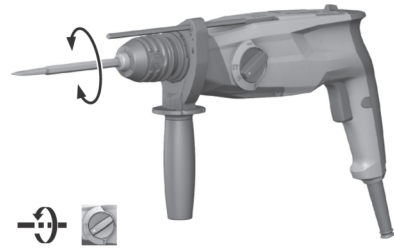
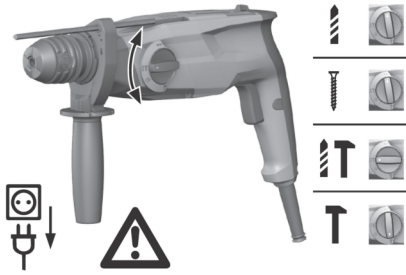
5



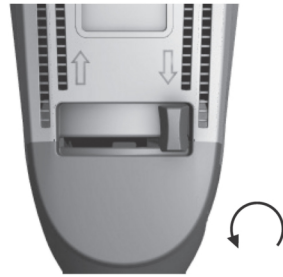
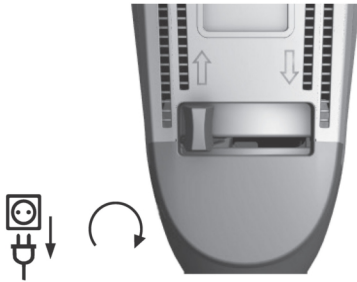
6



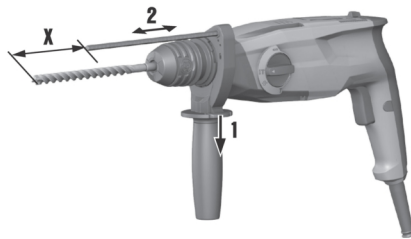
7



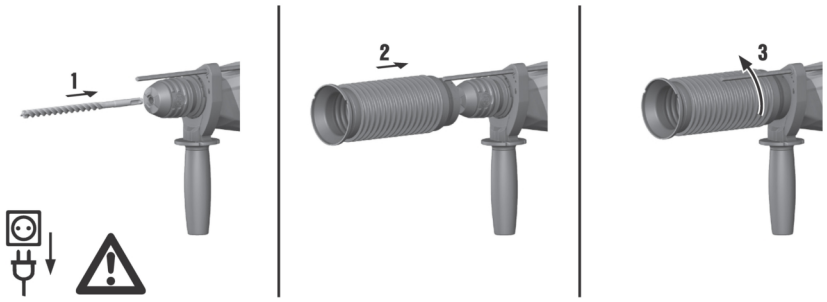
8



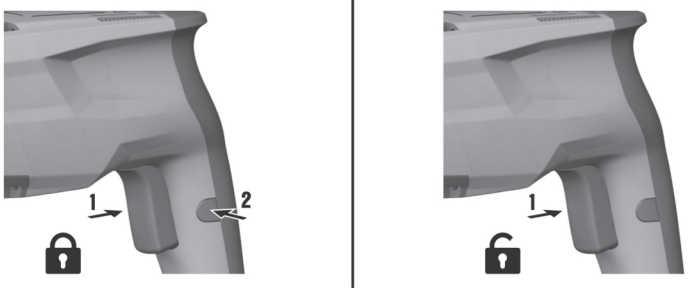
9



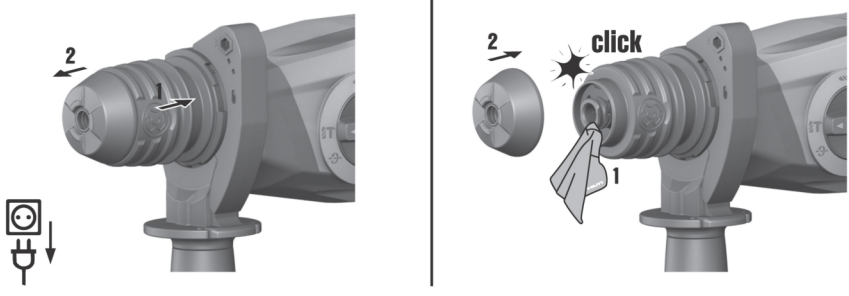
10



11



12



**Information about the operating instructions**

**About these operating instructions**

- **Warning!** Read and understand all accompanying documentation, including but not limited to instructions, safety warnings, illustrations, and specifications provided with this product. Familiarize yourself with all the instructions, safety warnings, illustrations, specifications, components, and functions of the product before use. Failure to do so may result in electric shock, fire, and/or serious injury. Save all warnings and instructions for future reference.
- products are designed for professional users and only trained, authorized personnel are permitted to operate, service and maintain the products. This personnel must be specifically informed about the possible hazards. The product and its ancillary equipment can present hazards if used incorrectly by untrained personnel or if used not in accordance with the intended use.
- The accompanying documentation corresponds to the current state of the art at the time of printing. Please always check for the latest version on the product's page on Hilti's website. To do this, follow the link or scan the QR code in this documentation, marked with the symbol
- Ensure that these operating instructions are with the product when it is given to other persons.

**Explanation of symbols**

**Warnings**

Warnings alert persons to hazards that occur when handling or using the product. The following signal words are used:



**DANGER !**

- ▶ Draws attention to imminent danger that will lead to serious personal injury or fatality.



**WARNING !**

- ▶ Draws attention to a potential threat of danger that can lead to serious injury or fatality.



**CAUTION !**

- ▶ Draws attention to a potentially dangerous situation that could lead to personal injury or damage to the equipment or other property.

**Symbols in the operating instructions**

The following symbols are used in these operating instructions:

|  |                                                                       |
|--|-----------------------------------------------------------------------|
|  | Comply with the operating instructions                                |
|  | Instructions for use and other useful information                     |
|  | Dealing with recyclable materials                                     |
|  | Do not dispose of electric equipment and batteries as household waste |

**Symbols in illustrations**

The following symbols are used in illustrations:

|  |                                                                                                                                                                                                                      |
|--|----------------------------------------------------------------------------------------------------------------------------------------------------------------------------------------------------------------------|
|  | These numbers refer to the illustrations at the beginning of these operating instructions.                                                                                                                           |
|  | The numbers in illustrations refer to important work steps or to components important for the work steps. In the text, the corresponding numbers draw attention to these work steps or components, e.g. <b>(3)</b> . |
|  | Item reference numbers are used in the <b>overview illustration</b> and refer to the numbers used in the key in the <b>product overview</b> section.                                                                 |
|  | This symbol is intended to draw your special attention to certain points for handling the product.                                                                                                                   |

**Product-dependent symbols**



**Symbols on the product**

The following symbols can be used on the product:

|  |                                               |
|--|-----------------------------------------------|
|  | Wireless data transfer                        |
|  | Drilling without hammer action                |
|  | Drilling with hammer action (hammer drilling) |
|  | Forward / reverse                             |





|                                                                                 |                                                                                                                                                             |
|---------------------------------------------------------------------------------|-------------------------------------------------------------------------------------------------------------------------------------------------------------|
|   | Protection class II (double-insulated)                                                                                                                      |
| $n_0$                                                                           | Rated speed under no load                                                                                                                                   |
|  | If applied on the product, the product has been certified by this certification body for the US and Canadian markets according to the applicable standards. |

## Safety

### Safety instructions

The safety rules given in the following section contain all general safety rules for electric tools which, in accordance with the applicable standards, require to be listed in the operating instructions. Accordingly, some of the rules listed may not be relevant to this electric tool.

### General power tool safety warnings

**⚠ WARNING** Read all safety warnings, instructions, illustrations and specifications provided with this power tool. Failure to follow all instructions listed below may result in electric shock, fire and/or serious injury.

### Save all warnings and instructions for future reference.

The term "power tool" in the warnings refers to your mains-operated (corded) power tool or battery-operated (cordless) power tool.

### Work area safety

- ▶ **Keep work area clean and well lit.** Cluttered or dark areas invite accidents.
- ▶ **Do not operate power tools in explosive atmospheres, such as in the presence of flammable liquids, gases or dust.** Power tools create sparks which may ignite the dust or fumes.
- ▶ **Keep children and bystanders away while operating a power tool.** Distractions can cause you to lose control.

### Electrical safety

- ▶ **Power tool plugs must match the outlet. Never modify the plug in any way. Do not use any adapter plugs with earthed (grounded) power tools.** Unmodified plugs and matching outlets will reduce risk of electric shock.
- ▶ **Avoid body contact with earthed or grounded surfaces, such as pipes, radiators, ranges and refrigerators.** There is an increased risk of electric shock if your body is earthed or grounded.
- ▶ **Do not expose power tools to rain or wet conditions.** Water entering a power tool will increase the risk of electric shock.
- ▶ **Do not abuse the cord. Never use the cord for carrying, pulling or unplugging the power tool. Keep cord away from heat, oil, sharp edges or moving parts.** Damaged or entangled cords increase the risk of electric shock.
- ▶ **When operating a power tool outdoors, use an extension cord suitable for outdoor use.** Use of a cord suitable for outdoor use reduces the risk of electric shock.
- ▶ **If operating a power tool in a damp location is unavoidable, use a residual current device (RCD) protected supply.** Use of an RCD reduces the risk of electric shock.

### Personal safety

- ▶ **Stay alert, watch what you are doing and use common sense when operating a power tool. Do not use a power tool while you are tired or under the influence of drugs, alcohol or medication.** A moment of inattention while operating power tools may result in serious personal injury.
- ▶ **Use personal protective equipment. Always wear eye protection.** Protective equipment such as a dust mask, non-skid safety shoes, hard hat or hearing protection used for appropriate conditions will reduce personal injuries.
- ▶ **Prevent unintentional starting. Ensure the switch is in the off-position before connecting to power source and/or battery pack, picking up or carrying the tool.** Carrying power tools with your finger on the switch or energising power tools that have the switch on invites accidents.
- ▶ **Remove any adjusting key or wrench before turning the power tool on.** A wrench or a key left attached to a rotating part of the power tool may result in personal injury.
- ▶ **Do not overreach. Keep proper footing and balance at all times.** This enables better control of the power tool in unexpected situations.
- ▶ **Dress properly. Do not wear loose clothing or jewellery. Keep your hair and clothing away from moving parts.** Loose clothes, jewellery or long hair can be caught in moving parts.
- ▶ **If devices are provided for the connection of dust extraction and collection facilities, ensure these are connected and properly used.** Use of dust collection can reduce dust-related hazards.
- ▶ **Do not let familiarity gained from frequent use of tools allow you to become complacent and ignore tool safety principles.** A careless action can cause severe injury within a fraction of a second.

### Power tool use and care

- ▶ **Do not force the power tool. Use the correct power tool for your application.** The correct power tool will do the job better and safer at the rate for which it was designed.
- ▶ **Do not use the power tool if the switch does not turn it on and off.** Any power tool that cannot be controlled with the switch is dangerous and must be repaired.
- ▶ **Disconnect the plug from the power source and/or remove the battery pack, if detachable, from the power tool before making any adjustments, changing accessories, or storing power tools.** Such preventive safety measures reduce the risk of starting the power tool accidentally.
- ▶ **Store idle power tools out of the reach of children and do not allow persons unfamiliar with the power tool or these instructions to operate the power tool.** Power tools are dangerous in the hands of untrained users.
- ▶ **Maintain power tools and accessories. Check for misalignment or binding of moving parts, breakage of parts and any other condition that may affect the power tool's operation. If damaged, have the power tool repaired before use.** Many accidents are caused by poorly maintained power tools.
- ▶ **Keep cutting tools sharp and clean.** Properly maintained cutting tools with sharp cutting edges are less likely to bind and are easier to control.



- ▶ **Use the power tool, accessories and tool bits etc. in accordance with these instructions, taking into account the working conditions and the work to be performed.** Use of the power tool for operations different from those intended could result in a hazardous situation.
- ▶ **Keep handles and grasping surfaces dry, clean and free from oil and grease.** Slippery handles and grasping surfaces do not allow for safe handling and control of the tool in unexpected situations.

#### Service

- ▶ **Have your power tool serviced by a qualified repair person using only identical replacement parts.** This will ensure that the safety of the power tool is maintained.

#### Hammer safety warnings

##### Safety instructions for all operations

- ▶ **Wear ear protectors.** Exposure to noise can cause hearing loss.
- ▶ **Use auxiliary handle(s), if supplied with the tool.** Loss of control can cause personal injury.
- ▶ **Hold the power tool by insulated gripping surfaces, when performing an operation where the cutting accessory may contact hidden wiring or its own cord.** Cutting accessory contacting a "live" wire may make exposed metal parts of the power tool "live" and could give the operator an electric shock.

##### Safety instructions when using long drill bits with rotary hammers

- ▶ **Always start drilling at low speed and with the bit tip in contact with the workpiece.** At higher speeds, the bit is likely to bend if allowed to rotate freely without contacting the workpiece, resulting in personal injury.
- ▶ **Apply pressure only in direct line with the bit and do not apply excessive pressure.** Bits can bend causing breakage or loss of control, resulting in personal injury.

#### Additional safety instructions

##### Personal safety

- ▶ **Modification of the power tool is not permitted.**
- ▶ **Keep the grips dry, clean and free from oil and grease.**
- ▶ **Check that the side handle is fitted correctly and tightened securely. Always hold the tool securely with both hands on the grips provided.**
- ▶ Wear protective gloves when changing accessory tools, because the accessory tool and the tool holder get hot during use.
- ▶ **Wear a dust mask if the tool is operated without a dust removal system.**
- ▶ **Improve the blood circulation in your fingers by relaxing your hands and exercising your fingers during breaks between working.**
- ▶ **The power tool is not intended for use by debilitated persons who have received no special training.**
- ▶ **Keep the power tool out of reach of children.**
- ▶ **Avoid touching rotating parts. Switch the power tool on only after bringing it into position at the workpiece.** Touching rotating parts, especially rotating drill bits or other accessories, may lead to injury.
- ▶ **Always lead the supply cord and extension cord away from the power tool to the rear while working.** This helps to avoid tripping over the cord while working.
- ▶ Dust from material such as paint containing lead, some wood species, minerals and metal may be harmful. Contact with or inhalation of the dust may cause allergic reactions and/or respiratory diseases among operators or bystanders. Certain kinds of dust such as oak and beech wood dust are classified as carcinogenic, especially in conjunction with additives for wood conditioning (chromate, wood preservative). Material containing asbestos may be worked on only by specialists. **Use a dust removal system that is as effective as possible. To achieve a high level of dust collection, use a suitable vacuum cleaner of the type recommended by Hilti for wood dust and/or mineral dust and which is designed for use with this tool. Ensure that the workplace is well ventilated. Observe national regulations applicable to the materials you intend to work with.**
- ▶ **In the event of a power failure or interruption in the electric supply, switch the power tool off, unplug the supply cord and release the switch lockbutton (if applicable).** This will prevent accidental restarting when the electric power returns.

##### Electrical safety

- ▶ **Before beginning work, check the working area (e.g. using a metal detector) to ensure that no concealed electric cables or gas and water pipes are present.** External metal parts of the power tool may become live, for example, when an electric cable is damaged accidentally. This presents a serious risk of electric shock.
- ▶ **Check the tool's supply cord at regular intervals and have it replaced by a qualified specialist if found to be damaged. If the tool's supply cord is damaged it must be replaced with a specially-prepared and approved supply cord available from Hilti Customer Service. Check extension cords at regular intervals and replace them if found to be damaged. Do not touch the supply cord or extension cord if it is damaged while working. Disconnect the supply cord plug from the power outlet.** Damaged supply cords or extension cords present a risk of electric shock.

##### Work area

- ▶ **If the work involves breaking right through, take the appropriate safety measures at the opposite side.** Parts breaking away could fall off and / or fall down and injure other persons.

#### Description

##### Parts of the tool and operating controls

- |   |                                           |   |                            |
|---|-------------------------------------------|---|----------------------------|
| ① | Three-jaw chuck (TE 3-M)                  | ⑦ | Control switch lock        |
| ② | SDS quick-release chuck                   | ⑧ | Control switch             |
| ③ | Chuck locking ring                        | ⑨ | Supply cord                |
| ④ | Connection for the dust collection module | ⑩ | Function selector switch   |
| ⑤ | Depth gauge                               | ⑪ | Depth gauge release button |
| ⑥ | Forward / reverse switch                  | ⑫ | Side handle                |



### Intended use

The product described is an electrically powered rotary hammer. It is designed for drilling in concrete, masonry, drywall / gypsum board, plastic, wood, metal and for driving and removing screws. The product can also be used for light chiseling work on masonry and surface finishing on concrete.

**Hilti** products are designed for professional use and may be operated, serviced and maintained only by trained, authorized personnel. This personnel must be informed of any particular hazards that may be encountered. The product described and its ancillary equipment may present hazards when used incorrectly by untrained personnel or when used not as directed.

- ▶ The tool may be operated only when connected to a power supply providing a voltage and frequency in compliance with the information given on its type plate.
- ▶ Observe the national health and safety requirements.
- ▶ To reduce the risk of injury, use only genuine **Hilti** tools and accessories.

### Examples of applications

The applications shown are possible.

### Items supplied

Rotary hammer, side handle, depth gauge, operating instructions.

For safe, reliable operation, use only genuine Hilti spare parts and accessories. Spare parts, accessories and consumables approved by Hilti for use with this product can be found at your **Hilti Center** or at [www.hilti.group](http://www.hilti.group).

### Technical data

When powered by a generator or transformer, the generator or transformer's power output must be at least twice the rated input power shown on the rating plate of the power tool. The operating voltage of the transformer or generator must always be within +5% and -15% of the rated voltage of the power tool.

The information given applies to a rated voltage of 120 V. The data may vary in the event of deviations from the rated voltage and for country-specific versions. Please refer to the power tool's type identification plate for details of its voltage, frequency, current and input power ratings.

|                                                                       | TE 3-M                                 | TE 3-C                                 |
|-----------------------------------------------------------------------|----------------------------------------|----------------------------------------|
| <b>Product generation</b>                                             | 01                                     | 01                                     |
| <b>Weight</b>                                                         | 6.8 lb<br>(3.1 kg)                     | 6.6 lb<br>(3.0 kg)                     |
| <b>Single impact energy</b>                                           | 2.5 J                                  | 2.5 J                                  |
| <b>Drilling diameter range in concrete/masonry (hammer drill bit)</b> | 5/32 in ... 1 1/8 in                   | 5/32 in ... 1 1/8 in                   |
| <b>Drilling diameter range in concrete/masonry (hammer drill bit)</b> | 4 mm ... 28 mm                         | 4 mm ... 28 mm                         |
| <b>Drilling diameter range in wood (solid)</b>                        | 1/16 in ... 3/4 in                     | 1/16 in ... 3/4 in                     |
| <b>Drilling diameter range in wood (solid)</b>                        | 1.5 mm ... 20 mm                       | 1.5 mm ... 20 mm                       |
| <b>Drilling diameter range in metal (solid-head drill bit)</b>        | 1/16 in ... 1/2 in                     | 1/16 in ... 1/2 in                     |
| <b>Drilling diameter range in metal (solid-head drill bit)</b>        | 1.5 mm ... 13 mm                       | 1.5 mm ... 13 mm                       |
| <b>Storage temperature</b>                                            | -4 °F ... 158 °F<br>(-20 °C ... 70 °C) | -4 °F ... 158 °F<br>(-20 °C ... 70 °C) |
| <b>Ambient temperature for operation</b>                              | 1 °F ... 140 °F<br>(-17 °C ... 60 °C)  | 1 °F ... 140 °F<br>(-17 °C ... 60 °C)  |

### Operation

|                                         |  |
|-----------------------------------------|--|
| TE 3-M                                  |  |
| <b>Changing the quick-release chuck</b> |  |



|                                                                                                                                                                                                                                                                                         |           |
|-----------------------------------------------------------------------------------------------------------------------------------------------------------------------------------------------------------------------------------------------------------------------------------------|-----------|
| <b>Fitting the side handle</b><br><b>CAUTION</b><br><b>Risk of injury!</b> The depth gauge, if fitted but not used, might hinder the operator.<br>▶ Remove the depth gauge from the tool.                                                                                               | <b>4</b>  |
| <b>CAUTION</b><br><b>Risk of injury!</b> Loss of control over the product.<br>▶ Check that the side handle is fitted correctly and tightened securely. Check that the clamping band is engaged in the groove in the product.                                                            |           |
| <b>Fitting/removing the drill bit or other accessory: SDS quick-release chuck</b><br>Use of unsuitable grease may cause damage to the product. <b>Use only the recommended grease supplied by Hilti.</b>                                                                                | <b>5</b>  |
| <small>TE 3-M</small><br><b>Fitting/removing the drill bit, chisel or other accessory: Three-jaw chuck</b>                                                                                                                                                                              | <b>6</b>  |
| <b>Drilling without hammering</b>                                                                                                                                                                                                                                                       | <b>7</b>  |
| <b>Screwdriving</b>                                                                                                                                                                                                                                                                     | <b>7</b>  |
| <b>Drilling with hammering action (hammer drilling)</b>                                                                                                                                                                                                                                 | <b>7</b>  |
| <b>Setting the chiseling function</b>                                                                                                                                                                                                                                                   | <b>7</b>  |
| <b>Chisel positioning</b><br><b>CAUTION</b><br><b>Risk of injury!</b> Loss of control over the chisel direction.<br>▶ Do not operate the tool when the selector switch is set to “Chisel positioning”. Turn the function selector switch until it engages in the “Chiseling”  position. | <b>7</b>  |
| <b>Forward / reverse</b>                                                                                                                                                                                                                                                                | <b>8</b>  |
| <b>Adjusting the depth gauge</b>                                                                                                                                                                                                                                                        | <b>9</b>  |
| <b>Fitting the dust collection module for overhead work</b>                                                                                                                                                                                                                             | <b>10</b> |
| <b>Pressing/locking the control switch</b>                                                                                                                                                                                                                                              | <b>11</b> |
| <b>Replacing the dust shield</b>                                                                                                                                                                                                                                                        | <b>12</b> |

### Care and maintenance

**WARNING**

**Electric shock hazard!** Attempting care and maintenance with the supply cord connected to a power outlet can lead to severe injury and burns.  
 ▶ Always unplug the supply cord before carrying out care and maintenance tasks.

#### Care

- Carefully remove stubborn dirt from the tool.
- Clean the air vents carefully with a dry brush.
- Use only a slightly damp cloth to clean the casing. Do not use cleaning agents containing silicone as they can attack the plastic parts.

#### Maintenance

**WARNING**

**Danger of electric shock!** Improper repairs to electrical components may lead to serious injuries including burns.

▶ Repairs to the electrical section of the tool or appliance may be carried out only by trained electrical specialists.

- Check all visible parts and controls for signs of damage at regular intervals and make sure that they all function correctly.
- Do not operate the product if signs of damage are found or if parts malfunction. Have it repaired immediately by **Hilti Service**.
- After cleaning and maintenance, fit all guards or protective devices and check that they function correctly.

To help ensure safe and reliable operation, use only genuine Hilti spare parts and consumables. Spare parts, consumables and accessories approved by Hilti for use with the product can be found at your local **Hilti Store** or online at: [www.hilti.group](http://www.hilti.group).

### Troubleshooting

If the trouble you are experiencing is not listed in this table or you are unable to remedy the problem by yourself, please contact **Hilti Service**.

| Trouble or fault                 | Possible cause                       | Action to be taken                                                       |
|----------------------------------|--------------------------------------|--------------------------------------------------------------------------|
| The rotary hammer doesn't start. | Interruption in the electric supply. | ▶ Plug in another electric tool or appliance and check whether it works. |



| Trouble or fault                              | Possible cause                                                            | Action to be taken                                                                                                                                                                                           |
|-----------------------------------------------|---------------------------------------------------------------------------|--------------------------------------------------------------------------------------------------------------------------------------------------------------------------------------------------------------|
| No hammering action.                          | The tool is too cold.                                                     | ► Bring the tip of the drill bit into contact with the working surface, switch the rotary hammer on and allow it to run. If necessary, repeat the procedure until the hammering mechanism begins to operate. |
|                                               | The function selector switch is set to "Rotary drilling only" .           | ► Set the function selector switch to the "Hammer drilling" position .                                                                                                                                       |
| The rotary hammer doesn't achieve full power. | The gauge (cross section) of the extension cord conductors is inadequate. | ► Use an extension cord with an adequate conductor cross section.                                                                                                                                            |

#### Disposal

Most of the materials from which **Hilti** tools and appliances are manufactured can be recycled. The materials must be correctly separated before they can be recycled. In many countries, your old tools, machines or appliances can be returned to **Hilti** for recycling. Ask **Hilti** Service or your **Hilti** representative for further information.



- Do not dispose of power tools, electronic equipment or batteries as household waste!

#### Further information

For more information on operation, technology, environment and recycling, follow this link: [qr.hilti.com/manual/?id=2058840&id=2058841&id=2058842&id=2121609&id=2121690&id=2194742](http://qr.hilti.com/manual/?id=2058840&id=2058841&id=2058842&id=2121609&id=2121690&id=2194742)

#### Manufacturer's warranty

- Please contact your local **Hilti** representative if you have questions about the warranty conditions.

#### fr Notice d'utilisation originale

#### Indications relatives au mode d'emploi

##### À propos de ce mode d'emploi

- **Avertissement !** Il convient de lire et comprendre toute la documentation jointe, y compris, sans s'y limiter, les instructions, avertissements de sécurité, illustration et spécifications fournies avec le présent produit. Prenez connaissance de toutes les instructions, avertissements de sécurité, illustrations, spécifications et fonctions du produit avant de l'utiliser. Tout manquement à cette obligation peut entraîner un choc électrique, un incendie, et/ou des blessures graves. Conservez l'ensemble des avertissements et instructions pour consultation ultérieure.
- Les produits **HILTI** sont destinés aux professionnels et ne doivent être utilisés, entretenus et réparés que par un personnel autorisé et formé. Ce personnel doit être spécialement instruit quant aux dangers inhérents à l'utilisation de l'appareil. Le produit et ses accessoires peuvent s'avérer dangereux s'ils sont utilisés de manière incorrecte par un personnel non qualifié ou de manière non conforme à l'usage prévu.
- La documentation ci-jointe correspond à l'état actuel de la technique à la date d'impression. Veuillez toujours consulter la dernière version sur la page du produit sur le site Internet de Hilti. Pour ce faire, suivez le lien ou scannez le code QR dans la documentation, indiqué par le symbole .
- Ne pas prêter ou céder le produit à un autre utilisateur sans lui fournir le présent mode d'emploi.

#### Explication des symboles

##### Avertissements

Les avertissements attirent l'attention sur des dangers liés à l'utilisation du produit. Les termes de signalisation suivants sont utilisés :



**DANGER**

##### DANGER !

- Pour un danger imminent qui peut entraîner de graves blessures corporelles ou la mort.



**AVERTISSEMENT**

##### AVERTISSEMENT !

- Pour un danger potentiel qui peut entraîner de graves blessures corporelles ou la mort.



**ATTENTION**

##### ATTENTION !

- Pour une situation potentiellement dangereuse pouvant entraîner des blessures corporelles ou des dégâts matériels.

#### Symboles dans le manuel d'utilisation

Les symboles suivants sont utilisés dans le présent manuel d'utilisation :



Respecter le manuel d'utilisation



Pour des conseils d'utilisation et autres informations utiles



Maniement des matériaux recyclables



2058841



Ne pas jeter les appareils électriques et les accus dans les ordures ménagères

### Symboles dans les illustrations

Les symboles suivants sont utilisés dans les illustrations :

|   |                                                                                                                                                                                                                                                                 |
|---|-----------------------------------------------------------------------------------------------------------------------------------------------------------------------------------------------------------------------------------------------------------------|
|   | Ces chiffres renvoient à l'illustration correspondante au début du présent manuel d'utilisation.                                                                                                                                                                |
| 3 | La numérotation dans les illustrations indique les étapes de travail importantes ou les composants importants pour les étapes de travail. Dans le texte, ces étapes de travail ou composants sont mis en évidence avec les numéros correspondants, par ex. (3). |
|   | Les numéros de position sont utilisés dans l'illustration <b>Vue d'ensemble</b> et renvoient aux numéros des légendes dans la section <b>Vue d'ensemble du produit</b> .                                                                                        |
|   | Ce signe doit inviter à manier le produit en faisant particulièrement attention.                                                                                                                                                                                |

### Symboles spécifiques au produit

#### Symboles sur le produit

Les symboles suivants peuvent être utilisés sur le produit :

|       |                                                                                                                                                                                 |
|-------|---------------------------------------------------------------------------------------------------------------------------------------------------------------------------------|
|       | Transmission de données sans fil                                                                                                                                                |
|       | Perçage sans percussion                                                                                                                                                         |
|       | Perçage avec percussion                                                                                                                                                         |
|       | Sens de rotation droite/gauche                                                                                                                                                  |
|       | Classe de protection II (double isolation)                                                                                                                                      |
| $n_0$ | Vitesse nominale à vide                                                                                                                                                         |
|       | Si présent sur le produit, c'est que le produit a été certifié conformément aux normes en vigueur par cet organisme de certification pour le marché nord-américain et canadien. |

### Sécurité

#### Consignes de sécurité

Les indications de sécurité du chapitre suivant contiennent toutes les indications générales de sécurité pour les outils électriques qui, selon les normes applicables, doivent être spécifiées dans le présent mode d'emploi. Par conséquent, il est possible que certaines indications ne se rapportent pas à cet appareil.

#### Indications générales de sécurité pour les appareils électriques

**⚠ AVERTISSEMENT Lire toutes les consignes de sécurité et instructions, illustrations et caractéristiques techniques, qui accompagnent cet outil électroportatif.** Tout manquement à l'observation des instructions suivantes risque de provoquer une électrocution, un incendie et/ou de graves blessures.

**Les consignes de sécurité et instructions doivent être intégralement conservées pour les utilisations futures.**

La notion d'« outil électroportatif » mentionnée dans les consignes de sécurité se rapporte à des outils électriques raccordés au secteur (avec câble d'alimentation) et à des outils électriques sur accus (sans câble d'alimentation).

#### Sécurité sur le lieu de travail

- ▶ **Conserver la zone de travail propre et bien éclairée.** Un lieu de travail en désordre ou mal éclairé augmente le risque d'accidents.
- ▶ **Ne pas faire fonctionner les outils électriques en atmosphère explosive et où se trouvent des liquides, des gaz ou poussières inflammables.** Les outils électriques produisent des étincelles qui peuvent enflammer les poussières ou les fumées.
- ▶ **Maintenir les enfants et les personnes présentes à l'écart pendant l'utilisation de l'outil électroportatif.** En cas d'inattention il y a un risque de perdre le contrôle de l'appareil.

#### Sécurité relative au système électrique

- ▶ **La fiche de secteur de l'outil électroportatif doit être adaptée à la prise de courant. Ne jamais modifier la fiche de quelque façon que ce soit. Ne pas utiliser d'adaptateurs avec des outils électriques à branchement de terre.** Des fiches non modifiées et des prises de courant adaptées réduiront le risque de choc électrique.
- ▶ **Éviter le contact physique avec des surfaces mises à la terre tels que tuyaux, radiateurs, cuisinières et réfrigérateurs.** Il y a un risque élevé de choc électrique au cas où votre corps serait relié à la terre.
- ▶ **Ne pas exposer les outils électroportatifs à la pluie ou à l'humidité.** La pénétration d'eau à l'intérieur d'un outil électroportatif augmentera le risque d'un choc électrique.
- ▶ **Ne jamais utiliser le câble de raccordement à d'autres fins que celles prévues, telles que pour porter, accrocher ou débrancher l'outil électroportatif de la prise de courant. Maintenir le câble de raccordement à l'écart de la chaleur, des parties grasses, des bords tranchants ou des parties en mouvement.** Des câbles de raccordement endommagés ou emmêlés augmentent le risque de choc électrique.
- ▶ **Si l'outil électroportatif est utilisé à l'extérieur, utiliser uniquement des câbles de rallonge homologués pour les applications extérieures.** L'utilisation d'un câble de rallonge homologué pour les applications extérieures réduit le risque d'un choc électrique.



- ▶ **Si l'utilisation de l'outil électrique dans un environnement humide ne peut pas être évitée, utiliser un interrupteur de protection contre les courants de court-circuit.** L'utilisation d'un tel interrupteur de protection réduit le risque d'une décharge électrique.

#### Sécurité des personnes

- ▶ **Rester vigilant, surveiller ce que l'on fait. Faire preuve de bon sens en utilisant l'outil électroportatif. Ne pas utiliser l'outil électroportatif en étant fatigué ou sous l'emprise de l'alcool, de drogues ou de médicaments.** Un moment d'inattention lors de l'utilisation de l'outil électroportatif peut entraîner des blessures graves.
- ▶ **Utiliser un équipement de protection personnel et toujours porter une protection pour les yeux.** Les équipements de protection personnels tels que masque antipoussière, chaussures de sécurité antidérapantes, casque de protection ou protection acoustique suivant l'utilisation de l'outil électroportatif, réduiront le risque de blessures des personnes.
- ▶ **Éviter une mise en service par mégarde. S'assurer que l'outil électroportatif est arrêté avant de le brancher à la source de courant et/ou à l'accu, de le prendre ou de le porter.** Le fait de porter l'outil électroportatif avec le doigt sur l'interrupteur ou de brancher l'appareil sur la source de courant lorsque l'interrupteur est en position de fonctionnement peut entraîner des accidents.
- ▶ **Retirer tout outil de réglage ou toute clé avant de mettre l'outil électroportatif en fonctionnement.** Une clé ou un outil se trouvant sur une partie en rotation peut causer des blessures.
- ▶ **Adopter une bonne posture. Veiller à toujours garder une position stable et équilibrée.** Cela permet un meilleur contrôle de l'outil électroportatif dans des situations inattendues.
- ▶ **S'habiller de manière adaptée. Ne pas porter de vêtements amples ni de bijoux. Garder les cheveux, les vêtements et les gants à distance des parties en mouvement.** Des vêtements amples, des bijoux ou des cheveux longs peuvent être happés par des parties en mouvement.
- ▶ **Si des dispositifs servant à aspirer ou à recueillir les poussières doivent être utilisés, s'assurer qu'ils sont effectivement raccordés et correctement utilisés.** L'utilisation d'un dispositif d'aspiration de la poussière peut réduire les risques dus aux poussières.
- ▶ **Ne pas sous-estimer les mesures de sécurité à prendre et ne pas ignorer sciemment les règles de sécurité applicables aux outils électriques, même si l'on est utilisateur chevronné après de fréquentes utilisations de l'outil électroportatif.** Un manque d'attention peut conduire à de graves blessures en quelques fractions de seconde.

#### Utilisation et maniement de l'outil électroportatif

- ▶ **Ne pas forcer l'appareil. Utiliser l'outil électroportatif adapté au travail à effectuer.** Un outil électroportatif approprié réalisera mieux le travail et de manière plus sûre au régime pour lequel il a été conçu.
- ▶ **Ne pas utiliser d'outil électroportatif dont l'interrupteur est défectueux.** Tout outil électroportatif qui ne peut plus être mis en ou hors fonctionnement est dangereux et doit être réparé.
- ▶ **Débrancher la fiche de la prise de courant et/ou l'accu amovible avant d'effectuer des réglages sur l'appareil, de changer les accessoires, ou de ranger l'appareil.** Cette mesure de précaution empêche une mise en fonctionnement par mégarde de l'outil électroportatif.
- ▶ **Conserver les outils électroportatifs non utilisés hors de portée des enfants. Ne permettre l'utilisation de l'appareil à aucune personne qui ne soit pas familiarisée avec celui-ci ou qui n'a pas lu ces instructions.** Les outils électroportatifs sont dangereux lorsqu'ils sont entre les mains de personnes non initiées.
- ▶ **Prendre soin des outils électroportatifs et des accessoires. Vérifier que les parties en mouvement fonctionnent correctement et qu'elles ne sont pas coincées, et contrôler si des parties sont cassées ou endommagées de sorte que le bon fonctionnement de l'outil électroportatif s'en trouve entravé. Faire réparer les parties endommagées avant d'utiliser l'appareil.** De nombreux accidents sont dus à des outils électroportatifs mal entretenus.
- ▶ **Garder les outils de coupe affûtés et propres.** Des outils destinés à couper correctement entretenus avec des arêtes de coupe tranchantes sont moins susceptibles de bloquer et sont plus faciles à contrôler.
- ▶ **L'outil électroportatif, les accessoires, les outils amovibles, etc. doivent être utilisés conformément à ces instructions. Tenir également compte des conditions de travail et du travail à réaliser.** L'utilisation des outils électroportatifs à d'autres fins que celles prévues peut entraîner des situations dangereuses.
- ▶ **Veiller à ce que les poignées et surfaces de préhension soient toujours être sèches, propres et exemptes de traces de graisse ou d'huile.** Avec des poignées et surfaces de préhension glissantes, la sécurité et le contrôle de l'outil électroportatif ne peuvent être assurés dans des situations inopinées.

#### Service

- ▶ **L'outil électroportatif doit uniquement être réparé par un personnel qualifié, utilisant exclusivement des pièces de rechange d'origine.** Ceci permet d'assurer la sécurité de l'outil électroportatif.

#### Indications générales de sécurité applicables aux burineurs

##### Consignes de sécurité pour tous les travaux

- ▶ **Porter un casque antibruit.** Le bruit peut entraîner des pertes auditives.
- ▶ **Utiliser la poignée supplémentaire livrée avec l'appareil.** La perte de contrôle peut entraîner des blessures.
- ▶ **Tenir l'appareil par les surfaces isolées des poignées lors des travaux pendant lesquels l'accessoire risque de toucher des câbles électriques cachés ou son propre câble d'alimentation réseau.** Le contact avec un câble sous tension risque de mettre les parties métalliques de l'appareil sous tension et de provoquer une décharge électrique.

##### Consignes de sécurité lors de l'utilisation de la mèche longue

- ▶ **Toujours commencer l'opération de perçage à vitesse réduite et alors que la mèche est en contact avec la pièce travaillée.** En cas de vitesse de rotation plus élevée, la mèche risque de se déformer légèrement si elle peut tourner librement sans contact avec la pièce travaillée et entraîner des blessures.
- ▶ **Ne pas exercer de pression excessive et seulement dans le sens longitudinal.** Les mèches peuvent se tordre et donc se casser, ou il peut y avoir perte de contrôle de l'appareil ce qui entraîne un risque de blessures.

##### Consignes de sécurité supplémentaires

#### Sécurité des personnes

- ▶ **Toute manipulation ou modification de l'appareil est interdite.**
- ▶ **Veiller à ce que les poignées soient toujours sèches, propres et exemptes de traces de graisse et d'huile.**



- ▶ **S'assurer que la poignée latérale est bien montée et correctement serrée. Toujours tenir l'appareil des deux mains par les poignées prévues à cet effet.**
- ▶ Porter des gants de protection pour changer d'outil, car l'outil amovible et le porte-outil peuvent être très chaud après utilisation.
- ▶ **Si l'appareil fonctionne sans dispositif d'aspiration de la poussière, porter un masque respiratoire léger.**
- ▶ **Faire régulièrement des pauses et des exercices de relaxation et de massage des doigts pour favoriser l'irrigation sanguine dans les doigts.**
- ▶ **L'appareil n'est pas destiné à être utilisé par des personnes affaiblies sans encadrement.**
- ▶ **L'appareil doit être tenu à l'écart des enfants.**
- ▶ **Éviter de toucher des pièces en rotation. Brancher l'appareil uniquement dans l'espace de travail.** Le fait de toucher des pièces en rotation, en particulier des outils en rotation, risque d'entraîner des blessures.
- ▶ **Pendant le travail, toujours tenir le câble d'alimentation réseau et de rallonge à l'arrière de l'appareil.** Ceci permet d'éviter tout risque de chute en trébuchant sur le câble pendant le travail.
- ▶ Les poussières de matériaux telles que des poussières de peinture au plomb, de certains types de bois, minéraux et métaux, peuvent être nocives pour la santé. Le contact ou l'aspiration des poussières peut provoquer des réactions allergiques et/ou des maladies respiratoires de l'utilisateur ou de toute personne se trouvant à proximité. Certaines poussières, telles que des poussières de chêne ou de hêtre, sont considérées comme cancérogènes, en particulier lorsqu'elles sont combinées à des additifs destinés au traitement du bois (chromate, produit de protection du bois). Les matériaux contenant de l'amiante doivent seulement être manipulés par un personnel spécialisé. **Un dispositif d'aspiration efficace doit être utilisé dans la mesure du possible. Utiliser pour ce faire un aspirateur mobile pour bois et/ou poussières minérales, tel que recommandé par Hilti, spécialement étudié pour cet outil électroportatif. Veiller à ce que le poste de travail soit bien ventilé. Respecter les prescriptions locales en vigueur qui s'appliquent aux matériaux travaillés.**
- ▶ **En cas de coupure de courant, arrêter l'appareil et retirer la fiche de la prise, et le cas échéant, déverrouiller le dispositif du blocage de variateur électronique de vitesse.** Cette mesure de précaution empêche une mise en fonctionnement par mégarde de l'appareil lorsque le courant est rétabli.

#### Sécurité relative au système électrique

- ▶ **Avant d'entamer le travail, vérifier, par exemple à l'aide d'un détecteur de métaux, qu'il n'y a pas de câbles ou gaines électriques, tuyaux de gaz ou d'eau cachés dans la zone d'intervention.** Toutes pièces métalliques extérieures de l'appareil peuvent devenir conductrices, par exemple, lorsqu'un câble électrique est endommagé par inadvertance. Cela peut entraîner un grave danger d'électrocution.
- ▶ **Contrôler régulièrement les câbles de raccordement de l'appareil et les faire remplacer par un spécialiste s'ils sont endommagés. Si le câble de raccordement de l'appareil électrique est endommagé, il doit être remplacé par un câble de raccordement spécialement préparé et autorisé, disponible auprès du service après-vente. Contrôler régulièrement les câbles de rallonge et les remplacer s'ils sont endommagés. Si le câble d'alimentation réseau ou de rallonge est endommagé pendant le travail, ne pas le toucher. Débrancher la fiche de la prise.** Les cordons d'alimentation et câbles de rallonge endommagés représentent un danger d'électrocution.

#### Place de travail

- ▶ **Lors de travaux d'ajourage, protéger l'espace du côté opposé aux travaux.** Des morceaux de matériaux risquent d'être éjectés et / ou de tomber, et de blesser d'autres personnes.

#### Description

##### Pièces constitutives de l'appareil et organes de commande 1

|   |                                                   |   |                                                            |
|---|---------------------------------------------------|---|------------------------------------------------------------|
| ① | Mandrin à trois mors (TE 3-M)                     | ⑦ | Dispositif de blocage de variateur électronique de vitesse |
| ② | Mandrin auto-serrant SDS                          | ⑧ | Variateur électronique de vitesse                          |
| ③ | Verrouillage du mandrin                           | ⑨ | Câble d'alimentation réseau                                |
| ④ | Raccord pour le module récupérateur de poussières | ⑩ | Sélecteur de fonction                                      |
| ⑤ | Butée de profondeur                               | ⑪ | Bouton de déverrouillage de la butée de profondeur         |
| ⑥ | Inverseur du sens de rotation droite / gauche     | ⑫ | Poignée latérale                                           |

#### Utilisation conforme à l'usage prévu

Le produit décrit est un perforateur-burineur électrique. Les appareils sont destinés aux travaux de perçage dans le béton, la maçonnerie, le placoplâtre, le bois, le plastique et le métal ainsi que le serrage et le desserrage de vis/boulons. Le produit peut également être utilisé pour les travaux de burinage légers sur maçonnerie et pour les retouches sur béton.

Les produits **Hilti** sont conçus pour les utilisateurs professionnels et ne doivent être utilisés, entretenus et réparés que par un personnel agréé et formé à cet effet. Ce personnel doit être au courant des dangers inhérents à l'utilisation de l'appareil. Le produit décrit et ses accessoires peuvent s'avérer dangereux s'ils sont utilisés de manière incorrecte par un personnel non qualifié ou de manière non conforme à l'usage prévu.

- ▶ L'appareil ne doit fonctionner qu'avec la tension réseau et la fréquence réseau indiquées sur la plaque signalétique.
- ▶ Observer les exigences en matière de sécurité nationales en vigueur.
- ▶ Utiliser uniquement les accessoires et outils **Hilti** d'origine, pour éviter tout risque de blessure.

#### Exemples d'utilisation 2

Les applications représentées sont possibles.

#### Éléments livrés

Perforateur-burineur, poignée latérale, butée de profondeur, mode d'emploi.



Pour une utilisation en toute sécurité, utiliser uniquement des pièces de rechange et consommables d'origine. Vous trouverez les pièces de rechange, consommables et accessoires autorisés par Hilti convenant pour votre produit dans le centre **Hilti** ou sous : [www.hilti.group](http://www.hilti.group)





## Caractéristiques techniques

**i** En cas d'utilisation avec un groupe électrogène ou un transformateur, leur puissance d'alimentation doit être au moins égale au double de la puissance indiquée sur la plaque signalétique de l'appareil. La tension de service du groupe électrogène ou du transformateur doit être toujours comprise entre +5 % et -15 % par rapport à la tension nominale de l'appareil.

Les indications de consigne valent pour une tension nominale de 120 V. Ces indications peuvent varier en cas de tensions différentes et de versions spécifiques au pays. La tension nominale, la fréquence ainsi que la puissance absorbée de référence resp. le courant nominal de l'appareil figurent sur la plaque signalétique.

|                                                                     | TE 3-M                                 | TE 3-C                                 |
|---------------------------------------------------------------------|----------------------------------------|----------------------------------------|
| Génération de produit                                               | 01                                     | 01                                     |
| Poids                                                               | 6,8 lb<br>(3,1 kg)                     | 6,6 lb<br>(3,0 kg)                     |
| Énergie libérée par coup                                            | 2,5 J                                  | 2,5 J                                  |
| Plage de perçage dans le béton/la brique (perforateur à percussion) | 5/32 in ... 1 1/8 in                   | 5/32 in ... 1 1/8 in                   |
| Plage de perçage dans le béton/la brique (perforateur à percussion) | 4 mm ... 28 mm                         | 4 mm ... 28 mm                         |
| Plage de perçage dans le bois (mèche monobloc)                      | 1/16 in ... 3/4 in                     | 1/16 in ... 3/4 in                     |
| Plage de perçage dans le bois (mèche monobloc)                      | 1,5 mm ... 20 mm                       | 1,5 mm ... 20 mm                       |
| Plage de perçage dans le métal (mèche monobloc)                     | 1/16 in ... 1/2 in                     | 1/16 in ... 1/2 in                     |
| Plage de perçage dans le métal (mèche monobloc)                     | 1,5 mm ... 13 mm                       | 1,5 mm ... 13 mm                       |
| Température de stockage                                             | -4 °F ... 158 °F<br>(-20 °C ... 70 °C) | -4 °F ... 158 °F<br>(-20 °C ... 70 °C) |
| Température de service en cours de service                          | 1 °F ... 140 °F<br>(-17 °C ... 60 °C)  | 1 °F ... 140 °F<br>(-17 °C ... 60 °C)  |

## Utilisation

|                                                                                                                                                                                                                                                                                                                                                                                                                                                                                             |          |
|---------------------------------------------------------------------------------------------------------------------------------------------------------------------------------------------------------------------------------------------------------------------------------------------------------------------------------------------------------------------------------------------------------------------------------------------------------------------------------------------|----------|
| TE 3-M                                                                                                                                                                                                                                                                                                                                                                                                                                                                                      | <b>3</b> |
| <b>Remplacement du mandrin auto-serrant</b>                                                                                                                                                                                                                                                                                                                                                                                                                                                 |          |
| <b>Montage de la poignée latérale</b>                                                                                                                                                                                                                                                                                                                                                                                                                                                       | <b>4</b> |
| <p><b>⚠ ATTENTION</b></p> <p><b>Risque de blessures !</b> L'utilisateur risque de se blesser s'il monte inutilement une butée de profondeur.</p> <p>► Retirer la butée de profondeur de l'appareil.</p> <hr/> <p><b>⚠ ATTENTION</b></p> <p><b>Risque de blessures !</b> Perte de contrôle sur le produit.</p> <p>► S'assurer que la poignée latérale est bien montée et correctement serrée. Veiller à ce que le collier de serrage soit dans l'écrou prévu à cet effet sur le produit.</p> |          |
| <b>Mise en place/retrait de l'outil: Mandrin auto-serrant SDS</b>                                                                                                                                                                                                                                                                                                                                                                                                                           | <b>5</b> |
| <p><b>i</b> L'utilisation d'une graisse non appropriée peut engendrer des dommages sur le produit. <b>Utiliser exclusivement des accessoires Hilti d'origine.</b></p>                                                                                                                                                                                                                                                                                                                       |          |
| TE 3-M                                                                                                                                                                                                                                                                                                                                                                                                                                                                                      | <b>6</b> |
| <b>Mise en place/retrait de l'outil: Mandrin à trois mors</b>                                                                                                                                                                                                                                                                                                                                                                                                                               |          |
| <b>Perçage sans percussion</b>                                                                                                                                                                                                                                                                                                                                                                                                                                                              | <b>7</b> |
| <b>Vissages</b>                                                                                                                                                                                                                                                                                                                                                                                                                                                                             | <b>7</b> |
| <b>Perçage avec percussion</b>                                                                                                                                                                                                                                                                                                                                                                                                                                                              | <b>7</b> |
| <b>Réglage du burinage</b> <b>T</b>                                                                                                                                                                                                                                                                                                                                                                                                                                                         | <b>7</b> |



|                                                                                                                                                                                                                                                                                                              |           |
|--------------------------------------------------------------------------------------------------------------------------------------------------------------------------------------------------------------------------------------------------------------------------------------------------------------|-----------|
| <b>Positionnement du burin-↔</b><br><b>ATTENTION</b><br><b>Risque de blessures</b> Perte de contrôle du sens de burinage.<br>▶ Ne pas travailler avec le sélecteur sur la position "Positionnement du burin". Tourner le sélecteur de fonction sur la position "Burinage"  , jusqu'à ce qu'il s'encliquette. | <b>7</b>  |
| <b>Sens de rotation droite/gauche</b>                                                                                                                                                                                                                                                                        | <b>8</b>  |
| <b>Réglage de la butée de profondeur</b>                                                                                                                                                                                                                                                                     | <b>9</b>  |
| <b>Montage du module récupérateur de poussières pour des travaux au plafond</b>                                                                                                                                                                                                                              | <b>10</b> |
| <b>Activation / Blocage du variateur électronique de vitesse</b>                                                                                                                                                                                                                                             | <b>11</b> |
| <b>Remplacement de la protection anti-poussière</b>                                                                                                                                                                                                                                                          | <b>12</b> |

#### Nettoyage et entretien

**AVERTISSEMENT**

**Danger d'électrocution !** Les travaux de nettoyage et d'entretien effectués avec fiche branchée à la prise peuvent entraîner de graves blessures ou brûlures.

- ▶ Toujours retirer la fiche de la prise avant tous travaux de nettoyage et d'entretien !

#### Nettoyage

- Éliminer prudemment les saletés récalcitrantes.
- Nettoyer les ouïes d'aération avec précaution au moyen d'une brosse sèche.
- Nettoyer le boîtier uniquement avec un chiffon légèrement humidifié. Ne pas utiliser de nettoyeurs à base de silicone, ceci pourrait attaquer les pièces en plastique.

#### Entretien

**AVERTISSEMENT**

**Risque d'électrocution !** Des réparations inappropriées sur des composants électriques peuvent entraîner de graves blessures corporelles et brûlures.

- ▶ Toute réparation des pièces électriques ne doit être effectuée que par un électricien qualifié.
- Vérifier régulièrement qu'aucune pièce visible n'est endommagée et que les organes de commande sont parfaitement opérationnels.
- En cas d'endommagements et/ou de dysfonctionnements, ne pas utiliser le produit. Le faire immédiatement réparer par le S.A.V. **Hilti**.
- Après des travaux de nettoyage et d'entretien, vérifier si tous les équipements de protection sont bien en place et fonctionnent parfaitement.

Pour une utilisation en toute sécurité, utiliser uniquement des pièces de rechange et consommables d'origine. Vous trouverez les pièces de rechange, consommables et accessoires autorisés convenant pour votre produit dans le centre **Hilti Store** ou sous : [www.hilti.group](http://www.hilti.group).

#### Aide au dépannage

En cas de défaillances non énumérées dans ce tableau ou auxquelles il n'est pas possible de remédier sans aide, contacter le S.A.V. **Hilti**.

| Défaillance                                                | Causes possibles                                       | Solution                                                                                                                                                      |
|------------------------------------------------------------|--------------------------------------------------------|---------------------------------------------------------------------------------------------------------------------------------------------------------------|
| Le perforateur-burineur ne se met pas en marche.           | Coupure d'alimentation électrique.                     | ▶ Brancher un autre appareil électrique et vérifier s'il fonctionne.                                                                                          |
| Absence de percussion.                                     | L'appareil est trop froid.                             | ▶ Poser le perforateur-burineur sur le matériau support et le laisser tourner à vide. Répéter si nécessaire jusqu'à ce que le mécanisme de frappe fonctionne. |
|                                                            | Sélecteur de fonction sur "Perçage sans percussion"  . | ▶ Tourner le sélecteur de fonction sur la position "Perçage avec percussion"   .                                                                              |
| Le perforateur-burineur n'atteint pas la pleine puissance. | La section du câble de rallonge n'est pas suffisante.  | ▶ Utiliser un câble de rallonge de section suffisante.                                                                                                        |

#### Recyclage

Les appareils **Hilti** sont fabriqués pour une grande partie en matériaux recyclables. Le recyclage présuppose un tri adéquat des matériaux. **Hilti** reprend les appareils usagés dans de nombreux pays en vue de leur recyclage. Consulter le service clients **Hilti** ou un conseiller commercial.

- ▶ Ne pas jeter les appareils électriques, électroniques et accus dans les ordures ménagères !

#### Informations complémentaires

Des informations complémentaires concernant l'utilisation, la technique, l'environnement et le recyclage sont disponibles sous le lien ci-dessous : [qr.hilti.com/manual/?id=2058840&id=2058841&id=2058842&id=2121609&id=2121690&id=2194742](http://qr.hilti.com/manual/?id=2058840&id=2058841&id=2058842&id=2121609&id=2121690&id=2194742)

#### Garantie constructeur

- ▶ En cas de questions sur les conditions de garantie, veuillez vous adresser à votre partenaire **Hilti** local.



## Información sobre el manual de instrucciones

### Acerca de este manual de instrucciones

- ¡Atención! Asegúrese de haber leído y entendido toda la documentación adjunta, incluidas, entre otras, las instrucciones, advertencias de seguridad, ilustraciones y especificaciones que se proporcionan con este producto. Familiarícese con todas las instrucciones, advertencias de seguridad, ilustraciones, especificaciones, componentes y funciones del producto antes de utilizarlo. De lo contrario, existe peligro de descarga eléctrica, incendio y/o lesiones graves. Conserve todas las advertencias e instrucciones para futuras consultas.
- Los productos han sido diseñados para usuarios profesionales y solo personal autorizado y debidamente formado puede utilizarlos y llevar a cabo su mantenimiento y conservación. Este personal debe estar especialmente instruido en lo referente a los riesgos de uso. La utilización del producto y sus dispositivos auxiliares puede conllevar riesgos para el usuario en caso de manejarse de forma inadecuada por personal no cualificado o utilizarse para usos diferentes a los que están destinados.
- La documentación adjunta corresponde al estado actual de la técnica en el momento de la impresión. Compruebe siempre la última versión en la página del producto de la página web de Hilti. Para ello siga el enlace o escanee el código QR que figura en esta documentación y que se indica con el símbolo
- No entregue nunca el producto a otras personas sin este manual de instrucciones.

### Explicación de símbolos

#### Avisos

Las advertencias de seguridad advierten de peligros derivados del manejo del producto. Se utilizan las siguientes palabras de peligro:



**PELIGRO**

#### PELIGRO !

- ▶ Término utilizado para un peligro inminente que puede ocasionar lesiones graves o incluso la muerte.



**ADVERTENCIA**

#### ADVERTENCIA !

- ▶ Término utilizado para un posible peligro que puede ocasionar lesiones graves o incluso la muerte.



**PRECAUCIÓN**

#### PRECAUCIÓN !

- ▶ Término utilizado para una posible situación peligrosa que puede ocasionar lesiones o daños materiales.

### Símbolos en el manual de instrucciones

En este manual de instrucciones se utilizan los siguientes símbolos:

|  |                                                                                          |
|--|------------------------------------------------------------------------------------------|
|  | Consulte el manual de instrucciones                                                      |
|  | Indicaciones de uso y demás información de interés                                       |
|  | Manejo con materiales reutilizables                                                      |
|  | No tire las herramientas eléctricas y las baterías junto con los desperdicios domésticos |

### Símbolos en las figuras

En las figuras se utilizan los siguientes símbolos:

|  |                                                                                                                                                                                                                                                           |
|--|-----------------------------------------------------------------------------------------------------------------------------------------------------------------------------------------------------------------------------------------------------------|
|  | Estos números hacen referencia a la figura correspondiente incluida al principio de este manual de instrucciones.                                                                                                                                         |
|  | La numeración en las figuras hace referencia a pasos de trabajo importantes o componentes importantes para los pasos de trabajo. Estos pasos de trabajo o componentes se resaltan en el texto mediante los correspondientes números, p. ej., <b>(3)</b> . |
|  | En la figura <b>Vista general</b> se utilizan números de posición y los números de la leyenda están explicados en el apartado <b>Vista general del producto</b> .                                                                                         |
|  | Preste especial atención a este símbolo cuando utilice el producto.                                                                                                                                                                                       |

### Símbolos del producto

#### Símbolos en el producto

En el producto se pueden utilizar los siguientes símbolos:

|  |                                                |
|--|------------------------------------------------|
|  | Transferencia de datos inalámbrica             |
|  | Taladrar sin percusión                         |
|  | Taladrar con percusión (taladrar con martillo) |



|       |                                                                                                                                                              |
|-------|--------------------------------------------------------------------------------------------------------------------------------------------------------------|
|       | Giro derecha/izquierda                                                                                                                                       |
|       | Clase de protección II (aislamiento doble)                                                                                                                   |
| $n_0$ | Número de referencia de revoluciones en vacío                                                                                                                |
|       | Si está en el producto, significa que el organismo de certificación lo ha certificado para el mercado estadounidense y canadiense según las normas vigentes. |

## Seguridad

### Indicaciones de seguridad

Las indicaciones de seguridad que se describen en el siguiente capítulo incluyen todas las indicaciones de seguridad generales para herramientas eléctricas que se deben especificar en el manual de instrucciones conforme a la normativa aplicable. Por consiguiente, pueden incluirse indicaciones que no sean relevantes para esta herramienta.

### Indicaciones generales de seguridad para herramientas eléctricas

**⚠ ADVERTENCIA** Lea con atención todas las indicaciones de seguridad, instrucciones, ilustraciones y datos técnicos correspondientes a esta herramienta eléctrica. La negligencia en el cumplimiento de las instrucciones que se describen a continuación podría provocar descargas eléctricas, incendios o lesiones graves.

### Conservar todas las instrucciones e indicaciones de seguridad para futuras consultas.

El término «herramienta eléctrica» empleado en las indicaciones de seguridad se refiere a herramientas eléctricas portátiles, ya sea con cable de red o sin cable, en caso de ser accionadas por batería.

### Seguridad en el puesto de trabajo

- ▶ **Mantenga su área de trabajo limpia y bien iluminada.** El desorden o una iluminación deficiente de las zonas de trabajo pueden provocar accidentes.
- ▶ **No utilice la herramienta eléctrica en un entorno con peligro de explosión en el que se encuentren líquidos, gases o polvos inflamables.** Las herramientas eléctricas producen chispas que pueden llegar a inflamar los materiales en polvo o vapores.
- ▶ **Mantenga alejados a los niños y otras personas de su puesto de trabajo al emplear la herramienta eléctrica.** Una distracción le puede hacer perder el control sobre la herramienta.

### Seguridad eléctrica

- ▶ **El enchufe de la herramienta eléctrica debe corresponder a la toma de corriente utilizada. No se deberá modificar el enchufe en forma alguna. No utilice enchufes adaptadores para las herramientas eléctricas con puesta a tierra.** Los enchufes sin modificar adecuados a las respectivas tomas de corriente reducen el riesgo de descarga eléctrica.
- ▶ **Evite el contacto corporal con superficies que tengan puesta a tierra, como pueden ser tubos, calefacciones, cocinas y frigoríficos.** El riesgo a quedar expuesto a una sacudida eléctrica es mayor si su cuerpo tiene contacto con tierra.
- ▶ **No exponga las herramientas eléctricas a la lluvia y evite que penetren líquidos en su interior.** El riesgo de recibir descargas eléctricas aumenta si penetra agua en la herramienta eléctrica.
- ▶ **No utilice el cable de conexión para transportar o colgar la herramienta eléctrica ni tire de él para extraer el enchufe de la toma de corriente. Mantenga el cable de conexión alejado de fuentes de calor, aceite, aristas afiladas o piezas móviles.** Los cables de conexión dañados o enredados pueden provocar descargas eléctricas.
- ▶ **Cuando trabaje al aire libre con una herramienta eléctrica, utilice exclusivamente un alargador adecuado para exteriores.** La utilización de un alargador adecuado para su uso en exteriores evita el riesgo de una descarga eléctrica.
- ▶ **Cuando no pueda evitarse el uso de la herramienta eléctrica en un entorno húmedo, utilice un interruptor de corriente de defecto.** La utilización de un interruptor de corriente de defecto evita el riesgo de una descarga eléctrica.

### Seguridad de las personas

- ▶ **Permanezca atento, preste atención durante el trabajo y utilice la herramienta eléctrica con prudencia. No utilice una herramienta eléctrica si está cansado, ni tampoco después de haber consumido alcohol, drogas o medicamentos.** Un momento de descuido al utilizar la herramienta eléctrica podría producir graves lesiones.
- ▶ **Utilice el equipo de seguridad personal adecuado y lleve siempre gafas protectoras.** El riesgo de lesiones se reduce considerablemente si, según el tipo y la aplicación de la herramienta eléctrica empleada, se utiliza un equipo de seguridad personal adecuado como una mascarilla antipolvo, zapatos de seguridad con suela antideslizante, casco de protección o protección para los oídos.
- ▶ **Evite una puesta en servicio fortuita de la herramienta. Asegúrese de que la herramienta eléctrica está apagada antes de alzarla, transportarla, conectarla a la toma de corriente o insertar la batería.** Si transporta la herramienta eléctrica sujetándola por el interruptor de conexión/desconexión o si introduce el enchufe en la toma de corriente con la herramienta conectada, podría producirse un accidente.
- ▶ **Retire las herramientas de ajuste o llaves fijas antes de conectar la herramienta eléctrica.** Una herramienta o llave colocada en una pieza giratoria puede producir lesiones al ponerse en funcionamiento.
- ▶ **Evite adoptar posturas forzadas. Procure que la postura sea estable y manténgase siempre en equilibrio.** De esta forma podrá controlar mejor la herramienta eléctrica en caso de presentarse una situación inesperada.
- ▶ **Utilice ropa adecuada. No utilice vestimenta amplia ni joyas. Mantenga su pelo, vestimenta y guantes alejados de las piezas móviles.** La vestimenta suelta, las joyas y el pelo largo se pueden enganchar con las piezas en movimiento.
- ▶ **Siempre que sea posible montar equipos de aspiración o captación de polvo, asegúrese de que están conectados y de que se utilizan correctamente.** El uso de un sistema de aspiración de polvo reduce los riesgos derivados del polvo.
- ▶ **No se crea a salvo de cualquier riesgo ni pase por alto ninguna de las normas de seguridad relativas a las herramientas eléctricas, aun cuando esté familiarizado con la herramienta eléctrica y tenga larga experiencia en su uso.** Una actuación negligente puede provocar lesiones graves en cuestión de segundos.



### Uso y manejo de la herramienta eléctrica

- ▶ **No sobrecargue la herramienta. Utilice la herramienta eléctrica adecuada para el trabajo que se dispone a realizar.** Con la herramienta eléctrica apropiada podrá trabajar mejor y de modo más seguro dentro del margen de potencia indicado.
- ▶ **No utilice herramientas eléctricas con el interruptor defectuoso.** Las herramientas eléctricas que no se puedan conectar o desconectar son peligrosas y deben repararse.
- ▶ **Extraiga el enchufe de la toma de corriente o retire la batería extraíble antes de efectuar cualquier ajuste en la herramienta, cambiar accesorios o en caso de no utilizar la herramienta durante un tiempo prolongado.** Esta medida preventiva evita el riesgo de arranque accidental de la herramienta eléctrica.
- ▶ **Guarde las herramientas eléctricas que no utilice fuera del alcance de los niños. No permita utilizar la herramienta a ninguna persona que no esté familiarizada con ella o que no haya leído este manual de instrucciones.** Las herramientas eléctricas utilizadas por personas inexpertas son peligrosas.
- ▶ **Cuide su herramienta eléctrica y los accesorios adecuadamente.** Compruebe si las piezas móviles de la herramienta funcionan correctamente y sin atascarse, y si existen piezas rotas o deterioradas que pudieran afectar al funcionamiento de la herramienta eléctrica. Encargue la reparación de las piezas defectuosas antes de usar la herramienta eléctrica. Muchos accidentes son consecuencia de un mantenimiento inadecuado de la herramienta eléctrica.
- ▶ **Mantenga los útiles limpios y afilados.** Las herramientas de corte bien cuidadas y con aristas afiladas se atascan menos y se guían con más facilidad.
- ▶ **Utilice la herramienta eléctrica, los accesorios, útiles de inserción, etc., de acuerdo con estas instrucciones. Para ello, tenga en cuenta las condiciones de trabajo y la tarea que se va a realizar.** El uso de herramientas eléctricas para trabajos diferentes de aquellos para los que han sido concebidas puede resultar peligroso.
- ▶ **Mantenga las empuñaduras y las superficies de contacto secas, limpias y sin residuos de aceite o grasa.** Las empuñaduras y superficies de contacto resbaladizas impiden manejar y controlar la herramienta eléctrica con seguridad en situaciones imprevistas.

### Servicio Técnico

- ▶ **Solicite una profesional lleve a cabo la reparación de su herramienta eléctrica y que utilice exclusivamente piezas de repuesto originales.** Solamente así se garantiza la seguridad de la herramienta eléctrica.

### Indicaciones de seguridad para martillos

#### Indicaciones de seguridad para todos los trabajos

- ▶ **Utilice protección para los oídos.** El ruido constante puede reducir la capacidad auditiva.
- ▶ **Utilice las empuñaduras adicionales que se suministran con la herramienta.** La pérdida del control puede causar lesiones.
- ▶ **Sujete la herramienta por las empuñaduras aisladas cuando realice trabajos en los que el útil puede entrar en contacto con cables eléctricos ocultos o con el propio cable de la herramienta.** El contacto con los cables conductores puede traspasar la conductividad a las partes metálicas y producir descargas eléctricas.

#### Indicaciones de seguridad al utilizar la broca larga

- ▶ **Inicie el proceso de perforación siempre con velocidad baja y mientras la broca esté en contacto con la pieza de trabajo.** A velocidades elevadas, la broca se puede doblar un poco si gira libremente sin entrar en contacto con la pieza de trabajo, lo que puede provocar lesiones.
- ▶ **No aplique una presión excesiva y solo en sentido longitudinal respecto a la broca.** Las brocas pueden doblarse y, por consiguiente, romperse o provocar la pérdida del control e incluso lesiones.

### Indicaciones de seguridad adicionales

#### Seguridad de las personas

- ▶ **No está permitido efectuar manipulaciones o modificaciones en la herramienta.**
- ▶ **Mantenga las empuñaduras secas, limpias y sin residuos de aceite o grasa.**
- ▶ **Asegúrese de que la empuñadura lateral esté correctamente montada y fijada conforme a las prescripciones. Sujete siempre la herramienta con ambas manos por las empuñaduras previstas.**
- ▶ Utilice guantes de protección para cambiar de útil, ya que el útil de inserción y el portaútiles se calientan al usarlos.
- ▶ **Use mascarilla si va a utilizar la herramienta sin aspiración de polvo.**
- ▶ **Efectúe pausas durante el trabajo, así como ejercicios de relajación y estiramiento de los dedos para mejorar la circulación de estos.**
- ▶ **La herramienta no es adecuada para personas con poca fuerza a las que no se haya instruido.**
- ▶ **Mantenga la herramienta fuera del alcance de los niños.**
- ▶ **Evite tocar las piezas en movimiento. No conecte la herramienta fuera de la zona de trabajo.** Si se tocan piezas en movimiento, en especial herramientas rotativas, pueden ocasionarse lesiones.
- ▶ **Retire siempre hacia atrás el cable eléctrico y el alargador durante el trabajo.** De esta forma se evita el peligro de tropiezo por culpa del cable.
- ▶ El polvo procedente de materiales como pinturas con plomo, determinadas maderas, minerales y metal puede ser nocivo para la salud. El contacto con el polvo o su inhalación puede provocar reacciones alérgicas o enfermedades de las vías respiratorias al usuario o a personas que se encuentren en su entorno. Existen determinadas clases de polvo, como pueden ser el de roble o el de haya, catalogadas como cancerígenas, especialmente si se encuentra mezclado con aditivos usados en el tratamiento de la madera (cromato, agente protector para la madera). Únicamente expertos cualificados están autorizados a manipular materiales que contengan asbesto. **Utilice siempre que sea posible un sistema efectivo de aspiración de polvo. Para ello, utilice un aspirador de polvo móvil apto para madera y polvo mineral recomendado por Hilti y compatible con esta herramienta eléctrica. Procure una buena ventilación del lugar de trabajo. Respete la normativa vigente en su país relativa a los materiales que se van a procesar.**
- ▶ **Si se produce una interrupción de la corriente, desconecte la herramienta y extraiga el enchufe de red; en caso necesario, suelte el bloqueo del conmutador de control.** Esto evita la puesta en servicio involuntaria de la herramienta cuando vuelva la corriente.



## Seguridad eléctrica

- ▶ Compruebe antes de empezar a trabajar si la zona de trabajo oculta cables eléctricos, tuberías de gas o cañerías de agua, por ejemplo, con un detector de metales. Las partes metálicas exteriores de la herramienta pueden pasar a conducir electricidad si, por ejemplo, se ha dañado por error un cable eléctrico. Dichas partes suponen un peligro serio por el riesgo de una descarga eléctrica.
- ▶ Compruebe con regularidad el cable de conexión de la herramienta y, en caso de que presentara daños, encargue su sustitución a un profesional experto en la materia. Si el cable de conexión de la herramienta eléctrica está dañado, debe reemplazarse por un cable especial homologado que encontrará en nuestro Servicio Posventa. Inspeccione regularmente los alargadores y sustitúyalos en caso de que estuvieran dañados. Si se daña el cable de red o el alargador durante el trabajo, evite tocar el cable. Extraiga el enchufe de red de la toma de corriente. Los cables de conexión y los alargadores dañados suponen un peligro, pues pueden ocasionar una descarga eléctrica.

## Lugar de trabajo

- ▶ Durante el proceso de taladrado, proteja la zona opuesta al lugar donde se realiza el trabajo, ya que pueden desprenderse cascotes y causar heridas a otras personas.

## Descripción

### Componentes de la herramienta y elementos de manejo 1

- |   |                                              |   |                                             |
|---|----------------------------------------------|---|---------------------------------------------|
| ① | Portabrocas de tres garras (TE 3-M)          | ⑦ | Bloqueo del conmutador de control           |
| ② | Alojamiento de cierre rápido SDS             | ⑧ | Conmutador de control                       |
| ③ | Bloqueo del portaútiles                      | ⑨ | Cable de red                                |
| ④ | Conexión para módulo colector de polvo       | ⑩ | Interruptor selector de funciones           |
| ⑤ | Tope de profundidad                          | ⑪ | Botón de desbloqueo del tope de profundidad |
| ⑥ | Interruptor de conmutación derecha/izquierda | ⑫ | Empuñadura lateral                          |

## Uso conforme a las prescripciones

El producto descrito es un martillo perforador eléctrico. Está indicado para perforar en hormigón, mampostería, yeso encartonado, madera, plástico y metal, así como para atornillar y desatornillar. Además, el producto se puede utilizar en trabajos sencillos de cincelado en mampostería y para reparar en hormigón.

Los productos Hilti han sido diseñados para usuarios profesionales y solo deben ser manejados, conservados y reparados por personal autorizado y debidamente formado. Este personal debe estar especialmente instruido en lo referente a los riesgos de uso. La utilización del producto descrito y sus dispositivos auxiliares puede conllevar riesgos para el usuario en caso de manejarse de forma inadecuada por personal no cualificado o utilizarse para usos diferentes a los que están destinados.

- ▶ Solo debe funcionar con la frecuencia y tensión de alimentación especificada en la placa de identificación.
- ▶ Respete la normativa nacional en materia de protección laboral.
- ▶ Para evitar el riesgo de lesiones, utilice exclusivamente accesorios y útiles originales de Hilti.

## Ejemplos de aplicación 2

Las aplicaciones representadas son factibles.

## Suministro

Martillo perforador, empuñadura lateral, tope de profundidad, manual de instrucciones.

Para garantizar un correcto funcionamiento, utilice exclusivamente piezas de repuesto y material de consumo originales. Puede encontrar las piezas de repuesto, el material de consumo y los accesorios que comercializamos en su Centro Hilti o en [www.hilti.group](http://www.hilti.group)

## Datos técnicos

Si se utiliza con un generador o transformador, la potencia útil debe ser al menos del doble de la potencia nominal indicada en la placa de identificación de la herramienta. La tensión de servicio del transformador o del generador debe encontrarse en todo momento entre un +5 % y un -15 % de la tensión de referencia de la herramienta.

Los datos son válidos para una tensión de referencia de 120 V. Para tensiones distintas y variantes específicas de cada país, los datos pueden variar. La tensión nominal y la frecuencia, así como la potencia nominal o la intensidad nominal, figuran en la placa de identificación.

|                                                                      | TE 3-M               | TE 3-C               |
|----------------------------------------------------------------------|----------------------|----------------------|
| Generación de productos                                              | 01                   | 01                   |
| Peso                                                                 | 6,8 lb<br>(3,1 kg)   | 6,6 lb<br>(3,0 kg)   |
| Energía por impacto                                                  | 2,5 J                | 2,5 J                |
| Margen de perforación en hormigón/mampostería (taladro con martillo) | 5/32 in ... 1 1/8 in | 5/32 in ... 1 1/8 in |
| Margen de perforación en hormigón/mampostería (taladro con martillo) | 4 mm ... 28 mm       | 4 mm ... 28 mm       |
| Margen de perforación en madera (broca maciza)                       | 1/16 in ... 3/4 in   | 1/16 in ... 3/4 in   |



|                                                | TE 3-M                                 | TE 3-C                                 |
|------------------------------------------------|----------------------------------------|----------------------------------------|
| Margen de perforación en madera (broca maciza) | 1,5 mm ... 20 mm                       | 1,5 mm ... 20 mm                       |
| Margen de perforación en metal (broca maciza)  | 1/16 in ... 1/2 in                     | 1/16 in ... 1/2 in                     |
| Margen de perforación en metal (broca maciza)  | 1,5 mm ... 13 mm                       | 1,5 mm ... 13 mm                       |
| Temperatura de almacenamiento                  | -4 °F ... 158 °F<br>(-20 °C ... 70 °C) | -4 °F ... 158 °F<br>(-20 °C ... 70 °C) |
| Temperatura ambiente en funcionamiento         | 1 °F ... 140 °F<br>(-17 °C ... 60 °C)  | 1 °F ... 140 °F<br>(-17 °C ... 60 °C)  |

## Manejo

|                                                                                                                                                                                                                 |           |
|-----------------------------------------------------------------------------------------------------------------------------------------------------------------------------------------------------------------|-----------|
| TE 3-M                                                                                                                                                                                                          | <b>3</b>  |
| <b>Cambio del alojamiento de cierre rápido</b>                                                                                                                                                                  |           |
| <b>Montaje de la empuñadura lateral</b>                                                                                                                                                                         | <b>4</b>  |
| <b>PRECAUCIÓN</b>                                                                                                                                                                                               |           |
| <b>Riesgo de lesiones.</b> Riesgo de obstáculo para el operario si el tope de profundidad está colocado pero no se utiliza.                                                                                     |           |
| ► Retire el tope de profundidad de la herramienta.                                                                                                                                                              |           |
| <b>PRECAUCIÓN</b>                                                                                                                                                                                               |           |
| <b>Riesgo de lesiones.</b> Pérdida de control del producto.                                                                                                                                                     |           |
| ► Asegúrese de que la empuñadura lateral esté correctamente montada y fijada conforme a las prescripciones. Asegúrese de que la banda de sujeción esté situada en la ranura del producto prevista para tal fin. |           |
| <b>Inserción/extracción del útil: Alojamiento de cierre rápido SDS</b>                                                                                                                                          | <b>5</b>  |
| El uso de una grasa inadecuada puede provocar daños en el producto. <b>Utilice únicamente grasa original de Hilti.</b>                                                                                          |           |
| TE 3-M                                                                                                                                                                                                          | <b>6</b>  |
| <b>Inserción/extracción del útil: Portabrocas de tres garras</b>                                                                                                                                                |           |
| <b>Taladrar sin percusión</b>                                                                                                                                                                                   | <b>7</b>  |
| <b>Atornillado</b>                                                                                                                                                                                              | <b>7</b>  |
| <b>Taladrar con percusión (taladrar con martillo)</b>                                                                                                                                                           | <b>7</b>  |
| <b>Ajuste del cincel</b>                                                                                                                                                                                        | <b>7</b>  |
| <b>Colocación del cincel</b>                                                                                                                                                                                    | <b>7</b>  |
| <b>PRECAUCIÓN</b>                                                                                                                                                                                               |           |
| <b>Riesgo de lesiones</b> Pérdida de control de la dirección del cincel.                                                                                                                                        |           |
| ► No trabaje en la posición «Colocar cincel». Lleve el interruptor selector de funciones a la posición «Cincelar»  hasta que encaje.                                                                            |           |
| <b>Giro derecha/izquierda</b>                                                                                                                                                                                   | <b>8</b>  |
| <b>Ajuste del tope de profundidad</b>                                                                                                                                                                           | <b>9</b>  |
| <b>Montaje del módulo colector de polvo para realizar trabajos por encima de la cabeza</b>                                                                                                                      | <b>10</b> |
| <b>Pulsación/bloqueo del conmutador de control</b>                                                                                                                                                              | <b>11</b> |
| <b>Sustitución de la tapa de protección</b>                                                                                                                                                                     | <b>12</b> |

## Cuidado y mantenimiento

### **ADVERTENCIA**

**Peligro de descarga eléctrica.** La realización de tareas de cuidado y mantenimiento con el enchufe conectado a la toma de corriente de puede provocar lesiones y quemaduras graves.

- Extraiga siempre el enchufe de la toma de corriente antes de realizar cualquier tarea de cuidado y mantenimiento.

### Cuidado

- Retire con cuidado la suciedad fuertemente adherida.
- Limpie cuidadosamente las rejillas de ventilación con un cepillo seco.
- Limpie la carcasa utilizando únicamente un paño ligeramente humedecido. No utilice limpiadores que contengan silicona, ya que podría afectar a las piezas de plástico.



## Mantenimiento

### ADVERTENCIA

**Riesgo de descarga eléctrica.** Las reparaciones indebidas en componentes eléctricos pueden producir lesiones graves y quemaduras.

- ▶ Las reparaciones de la parte eléctrica sólo puede llevarlas a cabo un técnico electricista cualificado.
- Compruebe con regularidad si las piezas visibles están dañadas o si los elementos de manejo funcionan correctamente.
- No utilice el producto si presenta daños o fallos que afecten al funcionamiento. Llévela de inmediato al Servicio Técnico de **Hilti** para que la reparen.
- Coloque todos los dispositivos de protección después de las tareas de cuidado y mantenimiento y compruebe su correcto funcionamiento.

Para garantizar un correcto funcionamiento, utilice exclusivamente piezas de repuesto y material de consumo originales. Puede encontrar piezas de repuesto, consumibles y accesorios para su producto que nosotros mismos comercializamos en **Hilti Store** o en: [www.hilti.group](http://www.hilti.group).

### Ayuda en caso de averías

Si se producen averías que no estén incluidas en esta tabla o que no pueda solucionar usted, diríjase al Servicio Técnico de **Hilti**.

| Anomalía                                          | Posible causa                                                   | Solución                                                                                                                                                                       |
|---------------------------------------------------|-----------------------------------------------------------------|--------------------------------------------------------------------------------------------------------------------------------------------------------------------------------|
| El martillo perforador no se pone en marcha.      | Alimentación de tensión interrumpida.                           | ▶ Conecte otra herramienta eléctrica y compruebe si funciona.                                                                                                                  |
| Sin percusión.                                    | Herramienta demasiado fría.                                     | ▶ Apoye el martillo perforador en la superficie de trabajo y déjelo funcionando con la marcha en vacío. Repítalo si es necesario hasta que funcione el mecanismo de percusión. |
|                                                   | Interruptor selector de funciones en «Taladrar sin percusión» . | ▶ Sitúe el interruptor selector de funciones en la posición «Perforar con martillo» .                                                                                          |
| El martillo perforador no tiene toda la potencia. | El alargador tiene una sección insuficiente.                    | ▶ Utilice un cable alargador con sección suficiente.                                                                                                                           |

### Reciclaje

Las herramientas **Hilti** están fabricadas en su mayor parte con materiales reutilizables. La condición para dicha reutilización es una separación adecuada de los materiales. En muchos países, **Hilti** recoge las herramientas usadas para su recuperación. Pregunte en el Servicio de Atención al Cliente de **Hilti** o a su asesor de ventas.

- ▶ No deseche las herramientas eléctricas, los aparatos eléctricos ni las baterías junto con los residuos domésticos.

### Más información

Encontrará información adicional sobre manejo, técnica, medioambiente y reciclaje en el siguiente enlace: [qr.hilti.com/manual/?id=2058840&id=2058841&id=2058842&id=2121609&id=2121690&id=2194742](http://qr.hilti.com/manual/?id=2058840&id=2058841&id=2058842&id=2121609&id=2121690&id=2194742)

### Garantía del fabricante

- ▶ Si tiene alguna consulta acerca de las condiciones de la garantía, póngase en contacto con su sucursal local de **Hilti**.













Hilti Corporation  
LI-9494 Schaan  
Tel.:+423 234 21 11  
Fax:+423 234 29 65  
www.hilti.com



2058841