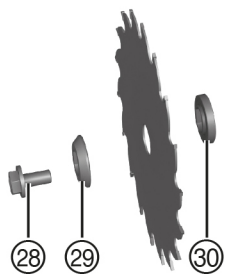
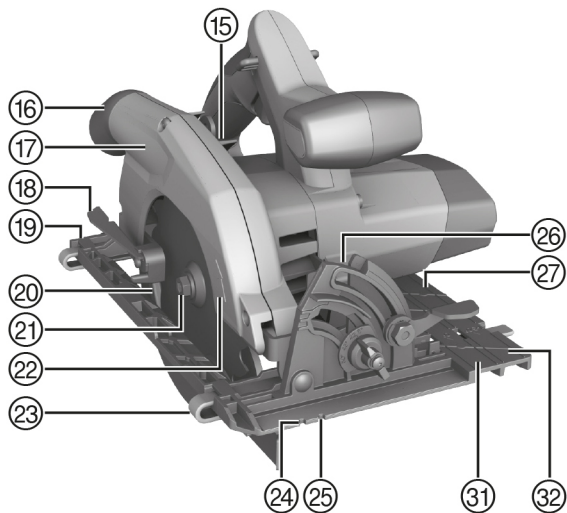
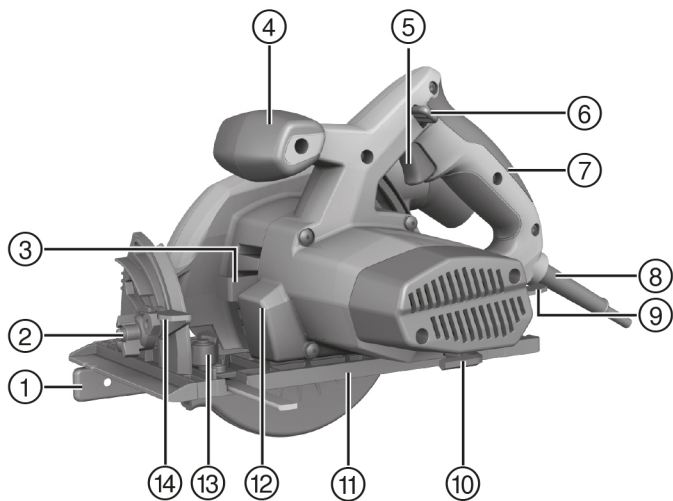


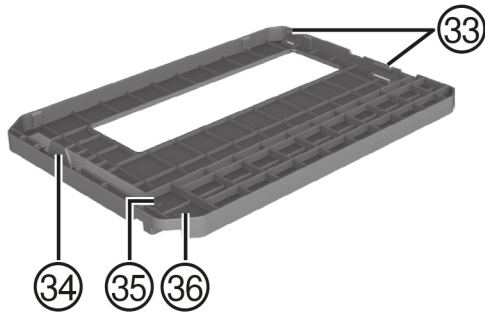


SC 55W

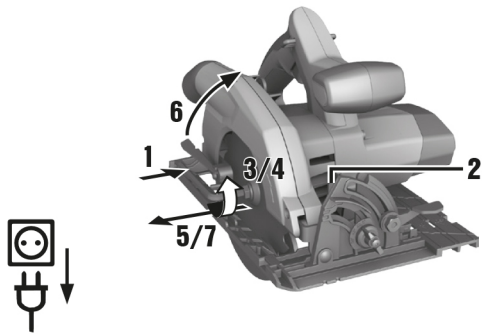
English	1
Español	12
Português	24
عربي	36



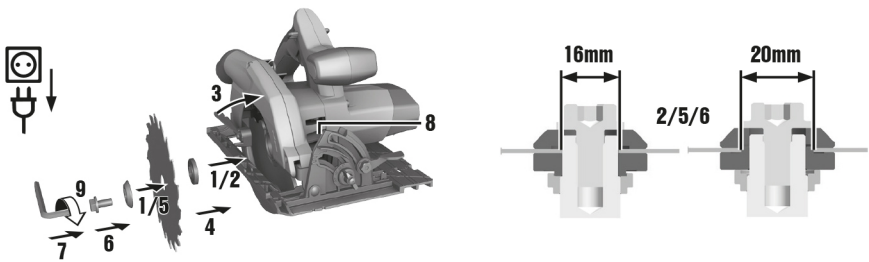
2



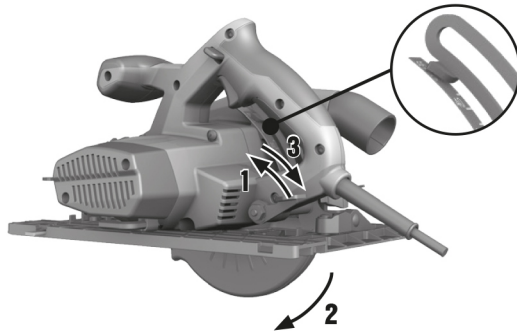
3



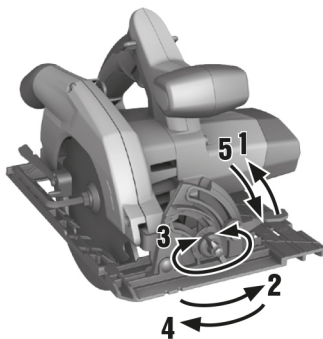
4



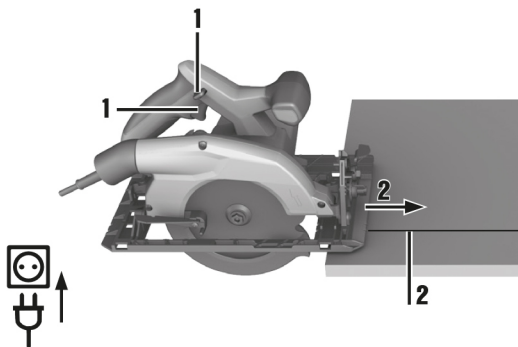
5



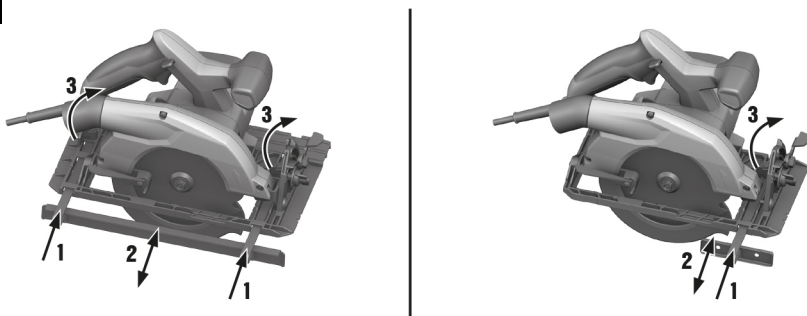
6



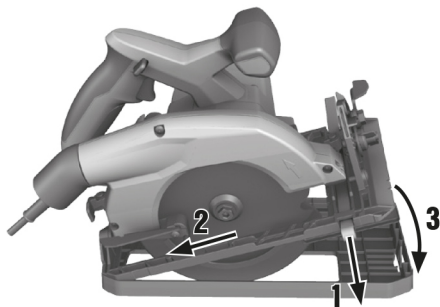
7



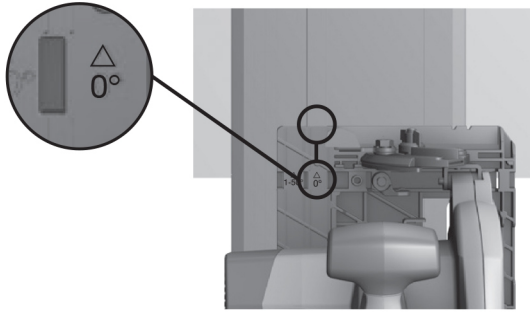
8



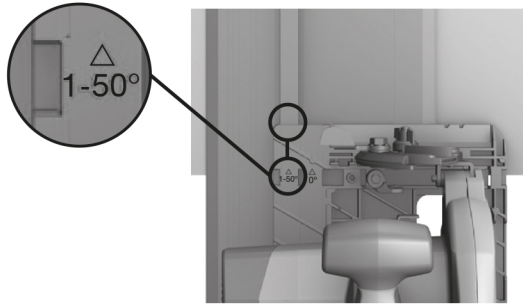
9



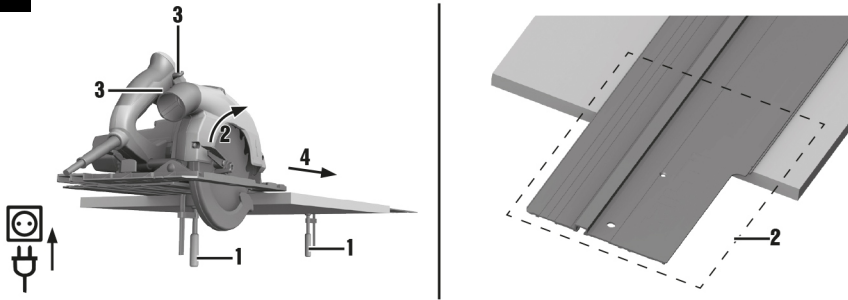
10



11



12



SC 55W

en	Original operating instructions	1
es	Manual de instrucciones original	12
pt	Manual de instruções original	24
ar	دليل الاستعمال الأصلي	36

1 Information about the documentation

1.1 About this documentation

- Read this documentation before initial operation or use. This is a prerequisite for safe, trouble-free handling and use of the product.
- Observe the safety instructions and warnings in this documentation and on the product.
- Always keep the operating instructions with the product and make sure that the operating instructions are with the product when it is given to other persons.

1.2 Explanation of symbols used

1.2.1 Warnings

Warnings alert persons to hazards that occur when handling or using the product. The following signal words are used:

DANGER

DANGER !

- ▶ Draws attention to imminent danger that will lead to serious personal injury or fatality.

WARNING

WARNING !

- ▶ Draws attention to a potential threat of danger that can lead to serious injury or fatality.





CAUTION

CAUTION !

- ▶ Draws attention to a potentially dangerous situation that could lead to slight personal injury or damage to the equipment or other property.




1.2.2 Symbols in the documentation

The following symbols are used in this document:

	Read the operating instructions before use.
	Instructions for use and other useful information
	Dealing with recyclable materials
	Do not dispose of electric equipment and batteries as household waste

1.2.3 Symbols in the illustrations

The following symbols are used in illustrations:

	These numbers refer to the corresponding illustrations found at the beginning of these operating instructions
3	The numbering reflects the sequence of operations shown in the illustrations and may deviate from the steps described in the text
	Item reference numbers are used in the overview illustrations and refer to the numbers used in the product overview section
	This symbol is intended to draw special attention to certain points when handling the product.

1.3 Product-dependent symbols

1.3.1 Symbols on the product

The following symbols can be used on the product:



	Wireless data transfer
n_0	Rated speed under no load
	Protection class II (double-insulated)
	Saw blade

1.4 Product information

products are designed for professional users and only trained, authorized personnel are permitted to operate, service and maintain the products. This personnel must be specifically informed about the possible hazards. The product and its ancillary equipment can present hazards if used incorrectly by untrained personnel or if used not in accordance with the intended use.

The type designation and serial number are printed on the rating plate.

- ▶ Write down the serial number in the table below. You will be required to state the product details when contacting Hilti Service or your local Hilti organization to inquire about the product.

Product information

Circular saw	SC 55W
Generation	01
Serial no.	

1.5 Declaration of conformity

We declare, on our sole responsibility, that the product described here complies with the applicable directives and standards. A copy of the declaration of conformity can be found at the end of this documentation.

The technical documentation is filed here:

Hilti Entwicklungsgesellschaft mbH | Tool Certification | Hiltistrasse 6 | D-86916 Kaufering, Germany

2 Safety

2.1 General power tool safety warnings

⚠ WARNING Read all safety warnings, instructions, illustrations and specifications provided with this power tool. Failure to follow all instructions listed below may result in electric shock, fire and/or serious injury. **Save all warnings and instructions for future reference.**

The term "power tool" in the warnings refers to your mains-operated (corded) power tool or battery-operated (cordless) power tool.

Work area safety

- ▶ **Keep work area clean and well lit.** Cluttered or dark areas invite accidents.
- ▶ **Do not operate power tools in explosive atmospheres, such as in the presence of flammable liquids, gases or dust.** Power tools create sparks which may ignite the dust or fumes.
- ▶ **Keep children and bystanders away while operating a power tool.** Distractions can cause you to lose control.

Electrical safety

- ▶ **Power tool plugs must match the outlet. Never modify the plug in any way. Do not use any adapter plugs with earthed (grounded) power tools.** Unmodified plugs and matching outlets will reduce risk of electric shock.
- ▶ **Avoid body contact with earthed or grounded surfaces, such as pipes, radiators, ranges and refrigerators.** There is an increased risk of electric shock if your body is earthed or grounded.
- ▶ **Do not expose power tools to rain or wet conditions.** Water entering a power tool will increase the risk of electric shock.
- ▶ **Do not abuse the cord. Never use the cord for carrying, pulling or unplugging the power tool. Keep cord away from heat, oil, sharp edges or moving parts.** Damaged or entangled cords increase the risk of electric shock.
- ▶ **When operating a power tool outdoors, use an extension cord suitable for outdoor use.** Use of a cord suitable for outdoor use reduces the risk of electric shock.



- ▶ **If operating a power tool in a damp location is unavoidable, use a residual current device (RCD) protected supply.** Use of an RCD reduces the risk of electric shock.

Personal safety

- ▶ **Stay alert, watch what you are doing and use common sense when operating a power tool. Do not use a power tool while you are tired or under the influence of drugs, alcohol or medication.** A moment of inattention while operating power tools may result in serious personal injury.
- ▶ **Use personal protective equipment. Always wear eye protection.** Protective equipment such as a dust mask, non-skid safety shoes, hard hat or hearing protection used for appropriate conditions will reduce personal injuries.
- ▶ **Prevent unintentional starting. Ensure the switch is in the off-position before connecting to power source and/or battery pack, picking up or carrying the tool.** Carrying power tools with your finger on the switch or energising power tools that have the switch on invites accidents.
- ▶ **Remove any adjusting key or wrench before turning the power tool on.** A wrench or a key left attached to a rotating part of the power tool may result in personal injury.
- ▶ **Do not overreach. Keep proper footing and balance at all times.** This enables better control of the power tool in unexpected situations.
- ▶ **Dress properly. Do not wear loose clothing or jewellery. Keep your hair and clothing away from moving parts.** Loose clothes, jewellery or long hair can be caught in moving parts.
- ▶ **If devices are provided for the connection of dust extraction and collection facilities, ensure these are connected and properly used.** Use of dust collection can reduce dust-related hazards.
- ▶ **Do not let familiarity gained from frequent use of tools allow you to become complacent and ignore tool safety principles.** A careless action can cause severe injury within a fraction of a second.

Power tool use and care

- ▶ **Do not force the power tool. Use the correct power tool for your application.** The correct power tool will do the job better and safer at the rate for which it was designed.
- ▶ **Do not use the power tool if the switch does not turn it on and off.** Any power tool that cannot be controlled with the switch is dangerous and must be repaired.
- ▶ **Disconnect the plug from the power source and/or remove the battery pack, if detachable, from the power tool before making any adjustments, changing accessories, or storing power tools.** Such preventive safety measures reduce the risk of starting the power tool accidentally.
- ▶ **Store idle power tools out of the reach of children and do not allow persons unfamiliar with the power tool or these instructions to operate the power tool.** Power tools are dangerous in the hands of untrained users.
- ▶ **Maintain power tools and accessories. Check for misalignment or binding of moving parts, breakage of parts and any other condition that may affect the power tool's operation. If damaged, have the power tool repaired before use.** Many accidents are caused by poorly maintained power tools.
- ▶ **Keep cutting tools sharp and clean.** Properly maintained cutting tools with sharp cutting edges are less likely to bind and are easier to control.
- ▶ **Use the power tool, accessories and tool bits etc. in accordance with these instructions, taking into account the working conditions and the work to be performed.** Use of the power tool for operations different from those intended could result in a hazardous situation.
- ▶ **Keep handles and grasping surfaces dry, clean and free from oil and grease.** Slippery handles and grasping surfaces do not allow for safe handling and control of the tool in unexpected situations.

Service

- ▶ **Have your power tool serviced by a qualified repair person using only identical replacement parts.** This will ensure that the safety of the power tool is maintained.

2.2 Safety instructions for all saws

Cutting procedures

- ▶ **⚠ DANGER: Keep hands away from cutting area and the blade. Keep your second hand on auxiliary handle or motor housing.** If both hands are holding the saw, they cannot be cut by the blade.
- ▶ **Do not reach underneath the workpiece.** The guard cannot protect you from the blade below the workpiece.
- ▶ **Adjust the cutting depth to the thickness of the workpiece.** Less than a full tooth of the blade teeth should be visible below the workpiece.
- ▶ **Never hold the workpiece in your hands or across your leg while cutting. Secure the workpiece to a stable platform.** It is important to support the work properly to minimise body exposure, blade binding, or loss of control.



- ▶ **Hold the power tool by insulated gripping surfaces, when performing an operation where the cutting tool may contact hidden wiring or its own cord.** Contact with a "live" wire will also make exposed metal parts of the power tool "live" and could give the operator an electric shock.
- ▶ **When ripping, always use a rip fence or straight edge guide.** This improves the accuracy of cut and reduces the chance of blade binding.
- ▶ **Always use blades with correct size and shape (diamond versus round) of arbour holes.** Blades that do not match the mounting hardware of the saw will run off-centre, causing loss of control.
- ▶ **Never use damaged or incorrect blade washers or bolt.** The blade washers and bolt were specially designed for your saw, for optimum performance and safety of operation.

Kickback causes and related warnings

- kickback is a sudden reaction to a pinched, jammed or misaligned saw blade, causing an uncontrolled saw to lift up and out of the workpiece toward the operator;
- when the blade is pinched or jammed tightly by the kerf closing down, the blade stalls and the motor reaction drives the unit rapidly back toward the operator;
- if the blade becomes twisted or misaligned in the cut, the teeth at the back edge of the blade can dig into the top surface of the wood causing the blade to climb out of the kerf and jump back toward the operator.

Kickback is the result of saw misuse and/or incorrect operating procedures or conditions and can be avoided by taking proper precautions as given below.

- ▶ **Maintain a firm grip with both hands on the saw and position your arms to resist kickback forces. Position your body to either side of the blade, but not in line with the blade.** Kickback could cause the saw to jump backwards, but kickback forces can be controlled by the operator, if proper precautions are taken.
- ▶ **When blade is binding, or when interrupting a cut for any reason, release the trigger and hold the saw motionless in the material until the blade comes to a complete stop. Never attempt to remove the saw from the work or pull the saw backward while the blade is in motion or kickback may occur.** Investigate and take corrective actions to eliminate the cause of blade binding.
- ▶ **When restarting a saw in the workpiece, centre the saw blade in the kerf so that the saw teeth are not engaged into the material.** If a saw blade binds, it may walk up or kickback from the workpiece as the saw is restarted.
- ▶ **Support large panels to minimise the risk of blade pinching and kickback.** Large panels tend to sag under their own weight. Supports must be placed under the panel on both sides, near the line of cut and near the edge of the panel.
- ▶ **Do not use dull or damaged blades.** Unsharpened or improperly set blades produce narrow kerf causing excessive friction, blade binding and kickback.
- ▶ **Blade depth and bevel adjusting locking levers must be tight and secure before making the cut.** If blade adjustment shifts while cutting, it may cause binding and kickback.
- ▶ **Use extra caution when sawing into existing walls or other blind areas.** The protruding blade may cut objects that can cause kickback.

Lower guard function

- ▶ **Check the lower guard for proper closing before each use. Do not operate the saw if the lower guard does not move freely and close instantly. Never clamp or tie the lower guard into the open position.** If the saw is accidentally dropped, the lower guard may be bent. Raise the lower guard with the retracting handle and make sure it moves freely and does not touch the blade or any other part, in all angles and depths of cut.
- ▶ **Check the operation of the guard return spring. If the guard and the spring are not operating properly, they must be serviced before use.** Lower guard may operate sluggishly due to damaged parts, gummy deposits, or a build-up of debris.
- ▶ **The lower guard may be retracted manually only for special cuts such as "plunge cuts" and "compound cuts". Raise the lower guard by the retracting handle and as soon as the blade enters the material, the lower guard must be released.** For all other sawing, the lower guard should operate automatically.
- ▶ **Always observe that the lower guard is covering the blade before placing the saw down on bench or floor.** An unprotected, coasting blade will cause the saw to walk backwards, cutting whatever is in its path. Be aware of the time it takes for the blade to stop after switch is released.

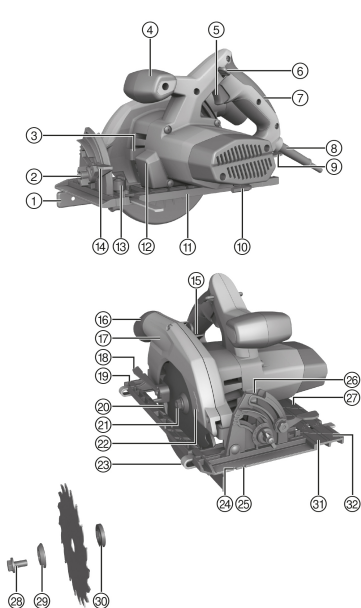


2.3 Additional safety instructions for circular saws

- ▶ Bring the saw blade into contact with the workpiece only when the circular saw is switched on.
 - ↳ The path of the saw must be free of obstructions above and below the workpiece. Do not saw into screws, nails or similar objects.
- ▶ Never work overhead with a circular saw.
- ▶ Never attempt to brake the saw blade by applying lateral pressure.
- ▶ Avoid overheating the tips of the saw blade teeth.
- ▶ When cutting plastic, avoid melting the plastic.
- ▶ Always use a saw blade that is suitable for the material you are going to saw.
- ▶ Use only saw blades recommended by Hilti that comply with the EN 847-1 standard.

3 Description

3.1 Product overview



- ① Single-arm fence
- ② Cutting angle setting
- ③ Spindle lock button
- ④ Auxiliary grip
- ⑤ On/off switch
- ⑥ Switch-on interlock release button
- ⑦ Grip
- ⑧ Electric supply cable
- ⑨ Clamping lever for cutting depth adjustment
- ⑩ Hex key
- ⑪ Small base plate
- ⑫ LED illumination
- ⑬ Front clamping lever for the fence
- ⑭ Clamping lever for cutting angle adjustment
- ⑮ Cutting depth scale
- ⑯ Hose connector (vacuum cleaner)
- ⑰ Guard
- ⑱ Pivoting guard operating lever
- ⑲ Rear clamping lever for the fence (only with large base plate)
- ⑳ Pivoting guard
- ㉑ Arbor
- ㉒ Direction-of-rotation arrow
- ㉓ Twin-arm fence
- ㉔ 0° cutting line indicator
- ㉕ 45° cutting line indicator
- ㉖ Cutting angle scale
- ㉗ Large base plate
- ㉘ Clamping screw
- ㉙ Clamping flange
- ㉚ Mounting flange
- ㉛ 0° indicator on the base plate
- ㉜ 1° - 50° indicator on the base plate

3.2 Overview of the guide rail adapter

- ③③ Rear retaining lug
- ③④ Front retaining lug
- ③⑤ 0° indicator
- ③⑥ 1° - 50° indicator



3.3 Intended use

The product described is a circular saw. It is designed for cutting wood or wood-like materials, plastics, gypsum plasterboard, gypsum fiberboard and composite materials, up to a cutting depth of 55 mm, and for miter cuts at angles up to 50°.

3.3.1 Possible misuse

Do not use saw blades not compliant with the technical data and do not use cutting discs, abrasive wheels or saw blades made of highly alloyed high speed steel (HSS steel). Do not use this power tool to saw metal.

3.4 Items supplied

Circular saw, saw blade, hex key, rip fence, operating instructions.



To help ensure safe and reliable operation, use only genuine Hilti spare parts and consumables. Spare parts, consumables and accessories approved by Hilti for use with the product can be found at your local **Hilti Store** or online at: **www.hilti.group**

4 Technical data

4.1 Technical data



For rated voltage, frequency, current and input power, please refer to the country-specific type identification plate.

If the device is powered by a generator or transformer, the generator or transformer's power output must be at least twice the rated input power shown on the rating plate of the device. The operating voltage of the transformer or generator must always be within +5 % and -15 % of the rated voltage of the device.

Weight, small base plate	4.5 kg
Weight, large base plate	4.7 kg
Saw blade diameter	160 mm ... 165 mm
Saw blade disc thickness	1.1 mm ... 1.5 mm
Saw blade arbor size	20 mm
Cutting depth at 0°	0 mm ... 55 mm
Cutting depth at 45°	0 mm ... 41 mm
Cutting depth at 50°	0 mm ... 37 mm
No-load speed	5,500 /min

4.2 Noise information and vibration values in accordance with EN 62841

The sound pressure and vibration values given in these instructions were measured in accordance with a standardized test and can be used to compare one power tool with another. They can also be used for a preliminary assessment of exposure.

The data given represent the main applications of the power tool. However, if the power tool is used for different applications, with different accessory tools, or is poorly maintained, the data can vary. This can significantly increase exposure over the total working period.

An accurate estimation of exposure should also take into account the times when the tool is switched off, or when it is running but not actually being used for a job. This can significantly reduce exposure over the total working period.

Identify additional safety measures to protect the operator from the effects of noise and/or vibration, for example: maintaining the power tool and accessory tools, keeping the hands warm, organization of work patterns.

Noise information

Sound power level (L_{WA})	101 dB(A)
Sound pressure level (L_{pA})	90 dB(A)
Uncertainty	3 dB(A)



Vibration information

	230 V	110 V
Triaxial vibration value when cutting wood ($a_{h,v}$)	1.77 m/s ² (5.81 ft/s ²)	2.12 m/s ² (6.96 ft/s ²)
Uncertainty (K)	1.5 m/s ²	1.5 m/s ²

5 Operation

5.1 Removing the saw blade

WARNING

Risk of burning injury. A hot accessory tool, clamping flange or clamping screw and the sharp edges of the saw blade present hazards.

- ▶ Wear protective gloves when changing saw blades.

1. Disconnect the supply cord plug from the power outlet.
2. Insert the hex key into the saw blade securing screw.
3. Press the drive spindle lock button and hold it in this position.
4. Turn the saw blade clamping screw with the hex key until the spindle lock button engages fully.
5. Release the clamping screw by turning the hex key in the direction of the direction-of-rotation arrow.
6. Remove the clamping screw from the outer clamping flange.
7. Open the pivoting guard by swinging it to the side and then remove the saw blade.



If necessary, the mounting flange can be removed for cleaning.

5.2 Install saw blade

CAUTION

Risk of damage Unsuitable or incorrectly fitted saw blades may damage the saw.

- ▶ Only use blades which are suitable for this saw. Observe the direction-of-rotation arrow on the saw blade.
- ▶ Use only saw blades equipped with a rated maximum permissible speed that is at least as high as the maximum speed stated on the product.

1. Disconnect the supply cord plug from the power outlet.
2. Clean the mounting flange and the clamping flange.
3. Fit the outer clamping flange the right way round (i.e. facing the right direction).
4. Open the pivoting guard.
5. Fit the new saw blade.
6. Install the outer clamping flange the right way round.
7. Insert the clamping screw.
8. Insert the hex key into the saw blade clamping screw.
9. Secure the clamping flange with the clamping screw by turning it clockwise. At the same time, use one hand to hold down the arbor lock button.
10. Before using the power tool, check that the saw blade is correctly seated and tightened securely.

5.3 Adjusting the cutting depth

1. Disconnect the supply cord plug from the power outlet.
2. Release the cutting depth adjustment clamping lever.
3. Lift the circular saw in a scissoring movement and set the cutting depth.
 - ↳ The cutting depth is shown on the cutting depth scale.



For a clean-edged cut, set cutting depth to the thickness of the material plus 2 mm.

4. Secure the cutting depth adjustment clamping lever.



5.4 Setting the miter cut angle

1. Disconnect the supply cord plug from the power outlet.
2. Release the cutting angle adjustment clamping lever.
3. Pivot the base plate to the desired miter cut angle.
 - ↳ The miter cutting angle is shown on the miter cut angle scale.
4. Tighten the cutting angle adjustment clamping lever.

5.5 Cutting line indicator

At the front edge of the base plate of the circular saw is a line indicator for straight cuts and miter cuts (0° and 45°). This permits accurate cutting at the desired miter angle. The edge of the line indicator corresponds to the inside of the saw blade. There is a cutting line indicator at the opening for the saw blade at the front end of the base plate.

5.5.1 Sawing along a line



Secure the workpiece to prevent movement.

Position the workpiece so that the saw blade is free to rotate beneath it.

Check that the on/off switch on the product is in the “off” position.

Position the forward section of the circular saw's base plate on the workpiece but do not bring the blade into contact with the workpiece.

1. Switch on the circular saw.
2. Guide the circular saw along the cutting line on the workpiece at a suitable speed.

5.6 Sawing with the fence

The single-arm fence can be used to make accurate cuts along the edge of a workpiece or to rip strips of equal width. The fence can be fitted on either side of the base plate.

The twin-arm fence can be used only with the large base plate

When installing the fence, make sure that it is installed right way round.

5.7 Sawing with the guide rail.

Sawing with the guide rail can reduce the risk of kickback.

5.7.1 Inserting into / removing from the guide rail adapter



When using saws with a small base plate, please use a guide rail adapter that fits the guide rail.

1. Remove the fence, if one is fitted.
2. Fit the base plate into the rear retaining lugs of the guide rail adapter.
3. Bring the front edge of the base plate down fully into the guide rail adapter. The base plate must engage fully with the front retaining lug.
4. To remove, pull the front retaining lug forward slightly and remove the circular saw from the guide rail adapter.

5.7.2 Longitudinal cuts at 0°

- ▶ Place the circular saw on the guide rail with the groove marked “0°” on the rib on the rail.

5.7.3 Longitudinal cuts at angles up to 50°

CAUTION

Risk of damage If the saw is engaged in the wrong groove, the saw blade will collide with the guide rail.

- ▶ Place the saw in the correct groove.
- ▶ Place the saw on the guide rail with the groove marked “1°- 50°” on the rib on the rail.



5.7.4 Using the saw on the guide rail

1. Secure the guide rail from below with two screw clamps.
2. Position the circular saw on the guide rail a short distance from the starting point of the cut. Open the guard manually when making longitudinal cuts (ripping) at cutting angles of 20°- 50°.



The saw must be placed on the guide rail behind the workpiece.

Take care to ensure that the saw blade is not in contact with the workpiece.

3. Switch on the circular saw.
4. Push the saw at a steady speed across the workpiece.
 - ↳ At cutting angles under 20° the pivoting guard opens automatically when it makes contact with the lateral actuating edge.
 - ↳ It closes again automatically when the saw leaves the end of the guide rail.

5.8 Sawing with or without sawdust extraction

The circular saw has a connector that fits common types of vacuum cleaner hose with a diameter of 27 mm. A suitable adapter might be required for connecting the vacuum-cleaner hose to the circular saw. If possible, always use a suitable mobile dust removal system for wood and wood and mineral materials. If you are working without a sawdust extractor, turn the ejector so that the sawdust is directed away from you.



Always use a filter class P2 dust mask and always ensure adequate ventilation to help minimize exposure to dust.

6 Care and maintenance

6.1 Care and maintenance



WARNING

Electric shock hazard! Attempting care and maintenance with the supply cord connected to a power outlet can lead to severe injury and burns.

- ▶ Always unplug the supply cord before carrying out care and maintenance tasks.

Care

- Carefully remove any dirt that may be adhering to parts.
- Clean the air vents carefully with a dry brush.
- Use only a slightly damp cloth to clean the casing. Do not use cleaning agents containing silicone as these may attack the plastic parts.

Maintenance



WARNING

Danger of electric shock! Improper repairs to electrical components may lead to serious injuries including burns.

- ▶ Repairs to the electrical section of the tool or appliance may be carried out only by trained electrical specialists.
- Check all visible parts and controls for signs of damage at regular intervals and make sure that they all function correctly.
- Do not operate the product if signs of damage are found or if parts malfunction. Have it repaired immediately by **Hilti** Service.
- After cleaning and maintenance, fit all guards or protective devices and check that they function correctly.



To help ensure safe and reliable operation, use only genuine Hilti spare parts and consumables. Spare parts, consumables and accessories approved by Hilti for use with the product can be found at your local **Hilti Store** or online at: www.hilti.group.

6.2 Checks after cleaning and maintenance



After cleaning or maintenance, check that all safety devices are fitted and that they function faultlessly.



- ▶ To check the pivoting guard, open the guard fully by moving the guard operating lever.
 - ↳ The pivoting guard must close quickly and completely when the guard operating lever is released.

6.3 Cleaning the ejector



The saw blade must be removed during cleaning if necessary.

1. Disconnect the supply cord plug from the power outlet.
2. Remove the saw blade. → page 7
3. Clean the ejector.
4. Install the saw blade. → page 7
5. Check that moving parts are in full working order and do not jam and make sure there are no parts that are broken or damaged in such a way as to impair operation of the power tool.

6.4 Cleaning the guard

1. Remove the saw blade. → page 7
2. Clean the parts of the guard carefully with a dry brush.
3. Use a suitable tool to remove deposits or cuttings from the inside surfaces of the parts of the guard.
4. Install the saw blade. → page 7

7 Troubleshooting

Trouble or fault	Possible cause	Action to be taken
The power tool does not develop full power.	The extension cord is too long or its gauge is inadequate.	▶ Use an extension cord of an approved length and/or of adequate gauge.
	The voltage provided by the electric supply is too low.	▶ Connect the power tool to a different electric supply.
The power tool does not work.	Interruption in the electric supply.	▶ Plug in another power tool or appliance and check whether it works.
	The supply cord or plug is defective.	▶ Have the power cord or the plug checked by a trained electrical specialist, and if necessary replaced by Hilti service.
	The on / off switch is defective.	▶ Have the product repaired by Hilti Service.
	The carbon brushes are worn.	▶ Have the product repaired by Hilti Service.
No suction power or reduced suction power	The chip ejector channel is blocked.	▶ Clean the ejector. → page 10
The pivoting guard does not close.	Safety device is clogged.	▶ Clean the guard. → page 10
The power tool vibrates more than usual.	The saw blade is fitted incorrectly.	▶ Remove the saw blade and install it again correctly.

8 Disposal

Most of the materials from which **Hilti** tools and appliances are manufactured can be recycled. The materials must be correctly separated before they can be recycled. In many countries, your old tools, machines or appliances can be returned to **Hilti** for recycling. Ask **Hilti** Service or your Hilti representative for further information.



- ▶ Do not dispose of power tools, electronic equipment or batteries as household waste!



9 RoHS (Restriction of Hazardous Substances)

Click on the link to go to the table of hazardous substances: qr.hilti.com/r2937786.
There is a link to the RoHS table, in the form of a QR code, at the end of this document.

10 Manufacturer's warranty

- ▶ Please contact your local **Hilti** representative if you have questions about the warranty conditions.



1 Información sobre la documentación

1.1 Acerca de esta documentación

- Lea detenidamente esta documentación antes de la puesta en servicio. Ello es imprescindible para un trabajo seguro y un manejo sin problemas.
- Respete las indicaciones de seguridad y las advertencias presentes en esta documentación y en el producto.
- Conserve este manual de instrucciones siempre junto con el producto y entregue el producto a otras personas siempre acompañado del manual.

1.2 Explicación de símbolos

1.2.1 Avisos

Las advertencias de seguridad advierten de peligros derivados del manejo del producto. Se utilizan las siguientes palabras de peligro:



PELIGRO

PELIGRO !

- ▶ Término utilizado para un peligro inminente que puede ocasionar lesiones graves o incluso la muerte.



ADVERTENCIA

ADVERTENCIA !

- ▶ Término utilizado para un posible peligro que puede ocasionar lesiones graves o incluso la muerte.



PRECAUCIÓN

PRECAUCIÓN !

- ▶ Término utilizado para una posible situación peligrosa que puede ocasionar lesiones leves o daños materiales.

1.2.2 Símbolos en la documentación

En esta documentación se utilizan los siguientes símbolos:

	Leer el manual de instrucciones antes del uso
	Indicaciones de uso y demás información de interés
	Manejo con materiales reutilizables
	No tirar las herramientas eléctricas y las baterías junto con los desperdicios domésticos

1.2.3 Símbolos en las figuras

En las figuras se utilizan los siguientes símbolos:

	Estos números hacen referencia a la figura correspondiente incluida al principio de este manual
3	La numeración describe el orden de los pasos de trabajo en la imagen y puede ser diferente de los pasos descritos en el texto
	Los números de posición se utilizan en la figura Vista general y los números de la leyenda están explicados en el apartado Vista general del producto
	Preste especial atención a este símbolo cuando utilice el producto.

1.3 Símbolos dependientes del producto

1.3.1 Símbolos en el producto

En el producto se pueden utilizar los siguientes símbolos:



	Transferencia de datos inalámbrica
n_0	Número de referencia de revoluciones en vacío
	Clase de protección II (aislamiento doble)
	Hoja de sierra

1.4 Información del producto

Los productos han sido diseñados para usuarios profesionales y solo personal autorizado y debidamente formado puede utilizarlos y llevar a cabo su mantenimiento y conservación. Este personal debe estar especialmente instruido en lo referente a los riesgos de uso. La utilización del producto y sus dispositivos auxiliares puede conllevar riesgos para el usuario en caso de manejarse de forma inadecuada por personal no cualificado o utilizarse para usos diferentes a los que están destinados.

La denominación del modelo y el número de serie están indicados en la placa de identificación.

- ▶ Escriba el número de serie en la siguiente tabla. Necesitará los datos del producto para realizar consultas a nuestros representantes o al Departamento de Servicio Técnico.

Datos del producto

Sierra circular	SC 55W
Generación	01
N.º de serie	

1.5 Declaración de conformidad

Bajo nuestra exclusiva responsabilidad, declaramos que el producto aquí descrito cumple con las directivas y normas vigentes. Encontrará una reproducción de la declaración de conformidad al final de esta documentación.

La documentación técnica se encuentra depositada aquí:

Hilti Entwicklungsgesellschaft mbH | Zulassung Geräte | Hiltistraße 6 | 86916 Kaufering, DE

2 Seguridad

2.1 Indicaciones generales de seguridad para herramientas eléctricas

⚠ ADVERTENCIA Lea con atención todas las indicaciones de seguridad, instrucciones, ilustraciones y datos técnicos correspondientes a esta herramienta eléctrica. La negligencia en el cumplimiento de las instrucciones que se describen a continuación podría provocar descargas eléctricas, incendios o lesiones graves.

Conserve todas las instrucciones e indicaciones de seguridad para futuras consultas.

El término «herramienta eléctrica» empleado en las indicaciones de seguridad se refiere a herramientas eléctricas portátiles, ya sea con cable de red o sin cable, en caso de ser accionadas por batería.

Seguridad en el puesto de trabajo

- ▶ **Mantenga su área de trabajo limpia y bien iluminada.** El desorden o una iluminación deficiente de las zonas de trabajo pueden provocar accidentes.
- ▶ **No utilice la herramienta eléctrica en un entorno con peligro de explosión en el que se encuentren líquidos, gases o polvos inflamables.** Las herramientas eléctricas producen chispas que pueden llegar a inflamar los materiales en polvo o vapores.
- ▶ **Mantenga alejados a los niños y otras personas de su puesto de trabajo al emplear la herramienta eléctrica.** Una distracción le puede hacer perder el control sobre la herramienta.

Seguridad eléctrica

- ▶ **El enchufe de la herramienta eléctrica debe corresponder a la toma de corriente utilizada. No se deberá modificar el enchufe en forma alguna. No utilice enchufes adaptadores para las herramientas eléctricas con puesta a tierra.** Los enchufes sin modificar adecuados a las respectivas tomas de corriente reducen el riesgo de descarga eléctrica.
- ▶ **Evite el contacto corporal con superficies que tengan puesta a tierra, como pueden ser tubos, calefacciones, cocinas y frigoríficos.** El riesgo a quedar expuesto a una sacudida eléctrica es mayor si su cuerpo tiene contacto con tierra.



- ▶ **No exponga las herramientas eléctricas a la lluvia y evite que penetren líquidos en su interior.** El riesgo de recibir descargas eléctricas aumenta si penetra agua en la herramienta eléctrica.
- ▶ **No utilice el cable de conexión para transportar o colgar la herramienta eléctrica ni tire de él para extraer el enchufe de la toma de corriente. Mantenga el cable de conexión alejado de fuentes de calor, aceite, aristas afiladas o piezas móviles.** Los cables de conexión dañados o enredados pueden provocar descargas eléctricas.
- ▶ **Cuando trabaje al aire libre con una herramienta eléctrica, utilice exclusivamente un alargador adecuado para exteriores.** La utilización de un alargador adecuado para su uso en exteriores evita el riesgo de una descarga eléctrica.
- ▶ **Cuando no pueda evitarse el uso de la herramienta eléctrica en un entorno húmedo, utilice un interruptor de corriente de defecto.** La utilización de un interruptor de corriente de defecto evita el riesgo de una descarga eléctrica.

Seguridad de las personas

- ▶ **Permanezca atento, preste atención durante el trabajo y utilice la herramienta eléctrica con prudencia. No utilice una herramienta eléctrica si está cansado, ni tampoco después de haber consumido alcohol, drogas o medicamentos.** Un momento de descuido al utilizar la herramienta eléctrica podría producir graves lesiones.
- ▶ **Utilice el equipo de seguridad personal adecuado y lleve siempre gafas protectoras.** El riesgo de lesiones se reduce considerablemente si, según el tipo y la aplicación de la herramienta eléctrica empleada, se utiliza un equipo de seguridad personal adecuado como una mascarilla antipolvo, zapatos de seguridad con suela antideslizante, casco de protección o protección para los oídos.
- ▶ **Evite una puesta en servicio fortuita de la herramienta. Asegúrese de que la herramienta eléctrica está apagada antes de alzarla, transportarla, conectarla a la toma de corriente o insertar la batería.** Si transporta la herramienta eléctrica sujetándola por el interruptor de conexión/desconexión o si introduce el enchufe en la toma de corriente con la herramienta conectada, podría producirse un accidente.
- ▶ **Retire las herramientas de ajuste o llaves fijas antes de conectar la herramienta eléctrica.** Una herramienta o llave colocada en una pieza giratoria puede producir lesiones al ponerse en funcionamiento.
- ▶ **Evite adoptar posturas forzadas. Procure que la postura sea estable y manténgase siempre en equilibrio.** De esta forma podrá controlar mejor la herramienta eléctrica en caso de presentarse una situación inesperada.
- ▶ **Utilice ropa adecuada. No utilice vestimenta amplia ni joyas. Mantenga su pelo, vestimenta y guantes alejados de las piezas móviles.** La vestimenta suelta, las joyas y el pelo largo se pueden enganchar con las piezas en movimiento.
- ▶ **Siempre que sea posible montar equipos de aspiración o captación de polvo, asegúrese de que están conectados y de que se utilizan correctamente.** El uso de un sistema de aspiración de polvo reduce los riesgos derivados del polvo.
- ▶ **No se crea a salvo de cualquier riesgo ni pase por alto ninguna de las normas de seguridad relativas a las herramientas eléctricas, aun cuando esté familiarizado con la herramienta eléctrica y tenga larga experiencia en su uso.** Una actuación negligente puede provocar lesiones graves en cuestión de segundos.

Uso y manejo de la herramienta eléctrica

- ▶ **No sobrecargue la herramienta. Utilice la herramienta eléctrica adecuada para el trabajo que se dispone a realizar.** Con la herramienta eléctrica apropiada podrá trabajar mejor y de modo más seguro dentro del margen de potencia indicado.
- ▶ **No utilice herramientas eléctricas con el interruptor defectuoso.** Las herramientas eléctricas que no se puedan conectar o desconectar son peligrosas y deben repararse.
- ▶ **Extraiga el enchufe de la toma de corriente o retire la batería extraíble antes de efectuar cualquier ajuste en la herramienta, cambiar accesorios o en caso de no utilizar la herramienta durante un tiempo prolongado.** Esta medida preventiva evita el riesgo de arranque accidental de la herramienta eléctrica.
- ▶ **Guarde las herramientas eléctricas que no utilice fuera del alcance de los niños. No permita utilizar la herramienta a ninguna persona que no esté familiarizada con ella o que no haya leído este manual de instrucciones.** Las herramientas eléctricas utilizadas por personas inexpertas son peligrosas.
- ▶ **Cuide su herramienta eléctrica y los accesorios adecuadamente. Compruebe si las piezas móviles de la herramienta funcionan correctamente y sin atascarse, y si existen piezas rotas o deterioradas que pudieran afectar al funcionamiento de la herramienta eléctrica. Encargue la reparación de las piezas defectuosas antes de usar la herramienta eléctrica.** Muchos accidentes son consecuencia de un mantenimiento inadecuado de la herramienta eléctrica.



- ▶ **Mantenga los útiles limpios y afilados.** Las herramientas de corte bien cuidadas y con aristas afiladas se atascan menos y se guían con más facilidad.
- ▶ **Utilice la herramienta eléctrica, los accesorios, útiles de inserción, etc., de acuerdo con estas instrucciones. Para ello, tenga en cuenta las condiciones de trabajo y la tarea que se va a realizar.** El uso de herramientas eléctricas para trabajos diferentes de aquellos para los que han sido concebidas puede resultar peligroso.
- ▶ **Mantenga las empuñaduras y las superficies de contacto secas, limpias y sin residuos de aceite o grasa.** Las empuñaduras y superficies de contacto resbaladizas impiden manejar y controlar la herramienta eléctrica con seguridad en situaciones imprevistas.

Servicio Técnico

- ▶ **Solicite que un profesional lleve a cabo la reparación de su herramienta eléctrica y que utilice exclusivamente piezas de repuesto originales.** Solamente así se garantiza la seguridad de la herramienta eléctrica.

2.2 Indicaciones de seguridad para cualquier sierra

Método de serrado

- ▶ **⚠ PELIGRO: Mantenga las manos alejadas del área de corte y de la hoja de sierra. Sujete la empuñadura adicional o la carcasa del motor con la otra mano.** Si sujeta la sierra con ambas manos, no correrá peligro de lesionarse con la hoja de sierra.
- ▶ **No toque la parte inferior de la pieza de trabajo.** La caperuza protectora no le protege del contacto con la hoja de sierra en la parte inferior de la pieza de trabajo.
- ▶ **Adapte la profundidad de corte al grosor de la pieza de trabajo.** La hoja de sierra no debe sobresalir más de un diente de la pieza de trabajo.
- ▶ **No sujete nunca la pieza de trabajo con la mano o sobre sus piernas. Fije la pieza de trabajo sobre una superficie estable.** Una buena sujeción de la pieza de trabajo es muy importante para reducir el riesgo de atasco de la hoja de sierra o de pérdida de control sobre la herramienta.
- ▶ **Agarre la herramienta eléctrica únicamente por las empuñaduras aisladas cuando realice trabajos en los que la herramienta puede entrar en contacto con cables eléctricos ocultos o con el propio cable de la herramienta.** El contacto con cables eléctricos puede activar también las partes metálicas de la herramienta eléctrica y provocar descargas eléctricas.
- ▶ **Utilice siempre un tope o una guía para ángulos rectos al realizar cortes longitudinales.** De este modo se incrementa la exactitud del corte y se reduce el riesgo de atasco de la hoja de sierra.
- ▶ **Utilice siempre hojas de sierra con las dimensiones correctas y el orificio adecuado (p. ej., en forma de estrella o redondo).** Las hojas de sierra que no encajan perfectamente con los componentes de montaje de la sierra giran de forma excéntrica y pueden hacerle perder el control sobre la herramienta.
- ▶ **No utilice nunca arandelas o tornillos de sujeción dañados o inapropiados para la hoja de sierra.** Las arandelas y los tornillos de sujeción de la hoja de sierra han sido especialmente diseñados para ofrecer el mayor número de prestaciones y la máxima seguridad de trabajo.

Descripción de las causas del rebote e indicaciones de seguridad correspondientes

- El rebote es una fuerza de reacción brusca que sucede al engancharse, atascarse o guiarse incorrectamente la hoja de sierra, lo cual provoca que la sierra se salga de forma incontrolada de la pieza de trabajo y resulte impulsada hacia el usuario.
- Si la hoja de sierra se engancha o se atasca al cerrarse la ranura de corte, la hoja de sierra se bloquea y el motor impulsa la sierra en dirección al usuario.
- Si la hoja de sierra se gira lateralmente o se desalinea, los dientes de la parte posterior de la hoja de sierra pueden engancharse en la cara superior de la pieza de trabajo haciendo que la hoja de sierra se salga de la ranura de corte y que la herramienta salga despedida hacia atrás en dirección al usuario.

El rebote se debe a la utilización inadecuada o a procedimientos o condiciones de trabajo. Puede evitarse cumpliendo las medidas de seguridad pertinentes que se describen a continuación.

- ▶ **Sujete la sierra firmemente con ambas manos manteniendo los brazos en una posición que le permita hacer frente a las fuerzas de rebote. Mantenga la hoja de sierra a un lado y no la coloque en línea con su cuerpo.** Si la sierra circular retrocede bruscamente al rebotar, el usuario podrá controlar dicha fuerza de rebote siempre que haya tomado las precauciones adecuadas.
- ▶ **Si la hoja de sierra se atasca o el trabajo se interrumpe, desconecte la sierra y espere hasta que la hoja de sierra se detenga. Nunca intente extraer la sierra de la pieza de trabajo ni tirar de ella hacia atrás mientras la hoja de sierra esté en funcionamiento, ya que de lo contrario puede rebotar.** Detecte las causas que provocan que la hoja de sierra se atasque y corríjalas.
- ▶ **Para continuar el trabajo con la sierra insertada en la pieza de trabajo, centre la hoja de sierra en la ranura y compruebe que los dientes no estén enganchados en la pieza de trabajo.** Si la hoja



de sierra está atascada puede llegar a salirse de la pieza de trabajo o provocar un rebote al ponerla de nuevo en marcha.

- ▶ **Apoye las placas grandes para evitar el riesgo de rebote a causa del atasco de la hoja de sierra.** Las placas grandes pueden doblarse por su propio peso. Las placas deben estar sujetadas a ambos lados, tanto cerca de la ranura de la sierra como del borde.
- ▶ **No utilice hojas de sierra desafiladas o dañadas.** Las hojas de sierra con dientes desafilados o desalineados provocan una fricción excesiva, atasco o rebote de la hoja de sierra a causa de una ranura de corte demasiado estrecha.
- ▶ **Antes de empezar a serrar, ajuste los dispositivos de profundidad y el ángulo de corte.** Si durante el trabajo de serrado se modifica la configuración, la hoja de sierra puede atascarse y originar un rebote.
- ▶ **Preste especial atención al serrar en paredes o en áreas ocultas.** Durante el proceso de serrado, la hoja de sierra puede quedar bloqueada en objetos ocultos y provocar un rebote.

Función de la caperuza protectora inferior

- ▶ **Antes de cada aplicación, compruebe que la caperuza protectora inferior cierra correctamente. No use la sierra si la caperuza protectora inferior no gira con total libertad o se cierra de forma repentina. No bloquee ni conecte la caperuza protectora inferior en posición abierta.** En caso de caída de la sierra, la caperuza protectora inferior podría deformarse. Abra la caperuza protectora inferior con la palanca y asegúrese de que se mueve con total libertad sin llegar a tocar la hoja de sierra ni otras partes en cualquier ángulo y profundidad de corte.
- ▶ **Compruebe el funcionamiento del muelle de la caperuza protectora inferior. Si la caperuza protectora inferior o el muelle no funcionan correctamente, repare la herramienta antes de su utilización.** Las piezas deterioradas, los restos de material pegajoso o las virutas acumuladas pueden alterar el buen funcionamiento de la caperuza protectora inferior.
- ▶ **Abra la caperuza protectora inferior manualmente solo al realizar cortes especiales como «cortes por inmersión» o «cortes en ángulo».** Abra la caperuza protectora inferior con la palanca y suéltela cuando la hoja de sierra haya penetrado en la pieza de trabajo. Para el resto de aplicaciones, la caperuza protectora inferior deberá utilizarse de forma automática.
- ▶ **No deposite la sierra sobre el banco de trabajo o el suelo si la caperuza protectora inferior no cubre la hoja de sierra.** Las hojas de sierra sin protección empujan a la sierra en dirección contraria a la dirección de corte, serrando todo lo que encuentra a su paso. Tenga en cuenta el tiempo de marcha por inercia de la sierra.

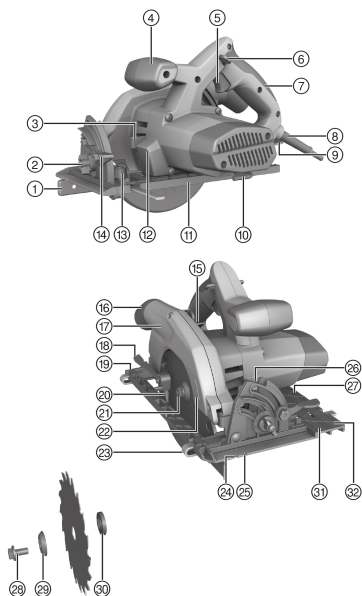
2.3 Indicaciones de seguridad adicionales para sierras circulares

- ▶ Desplace la sierra circular manual sobre la pieza de trabajo solo cuando esté conectada.
 - ↳ El recorrido de corte debe estar libre de obstáculos por arriba y por abajo. No sierre tornillos, clavos u objetos similares.
- ▶ No trabaje nunca con una sierra circular por encima de la cabeza.
- ▶ No frene nunca la hoja de sierra ejerciendo presión lateral sobre la hoja de sierra.
- ▶ Evite que se sobrecalienten las puntas de los dientes de la sierra.
- ▶ Al serrar materiales de plástico debe procurarse que el plástico no se funda.
- ▶ Utilice siempre la hoja de sierra correspondiente para la superficie de trabajo que deba cortar.
- ▶ Utilice únicamente hojas de sierra recomendadas por Hilti que cumplan la norma EN 847-1.



3 Descripción

3.1 Vista general del producto 1



- ① Tope paralelo de un brazo
- ② Ajuste previo para el ángulo de corte
- ③ Botón de bloqueo del husillo
- ④ Empuñadura adicional
- ⑤ Interruptor de conexión y desconexión
- ⑥ Bloqueo de conexión
- ⑦ Empuñadura
- ⑧ Cable de red
- ⑨ Palanca de apriete para el ajuste de la profundidad de corte
- ⑩ Llave de hexágono interior
- ⑪ Placa base pequeña
- ⑫ Iluminación LED
- ⑬ Palanca de apriete para el tope paralelo delantero
- ⑭ Palanca de apriete para el ajuste del ángulo de corte
- ⑮ Escala de ajuste de la profundidad de corte
- ⑯ Manguito de empalme (aspirador de polvo)
- ⑰ Cubierta protectora
- ⑱ Palanca de mando para cubierta protectora contra oscilaciones
- ⑲ Palanca de apriete para el tope paralelo trasero (solo para placa base grande)
- ⑳ Caperuza protectora contra oscilaciones
- ㉑ Husillo de accionamiento
- ㉒ Flecha de sentido de giro
- ㉓ Tope paralelo de dos brazos
- ㉔ Marca de corte de 0°
- ㉕ Marca de corte de 45°
- ㉖ Escala de ajuste del ángulo de corte
- ㉗ Placa base grande
- ㉘ Tornillo de apriete
- ㉙ Brida de apriete
- ㉚ Brida de alojamiento
- ㉛ Marca de ranura de 0° en la placa base
- ㉜ Marca de ranura de 1°-50° en la placa base

3.2 Vista general del adaptador del carril guía 2

- ③③ Almas de soporte traseras
- ③④ Alma de soporte delantera
- ③⑤ Marca de ranura de 0°
- ③⑥ Marca de ranura de 1°-50°

3.3 Uso conforme a las prescripciones

El producto descrito es una sierra circular. Se ha diseñado para llevar a cabo trabajos de serrado en madera o materiales similares, plásticos, yeso encartonado, paneles de fibra de yeso y materiales aglomerados hasta una profundidad de corte de 55 mm, así como para realizar cortes a inglete de hasta 50°.

3.3.1 Posibles usos indebidos

No deben utilizarse hojas de sierra cuyas características no coincidan con los datos técnicos indicados ni discos tronadores, discos lijadores y hojas de sierra de acero de corte rápido de alta aleación (acero HSS). No deben serrarse metales.



3.4 Suministro

Sierra circular, hoja de sierra, llave de hexágono interior, tope paralelo, manual de instrucciones.

Para garantizar un correcto funcionamiento, utilice exclusivamente piezas de repuesto y consumibles originales. Puede encontrar piezas de repuesto, consumibles y accesorios para su producto que nosotros mismos comercializamos en **Hilti Store** o en: www.hilti.group

4 Datos técnicos

4.1 Datos técnicos

La tensión nominal, la intensidad nominal, la frecuencia y la potencia nominal figuran en la placa de identificación específica del país.

Si se utiliza con un generador o transformador, la potencia útil debe ser al menos el doble de la potencia nominal indicada en la placa de identificación de la herramienta. La tensión de servicio del transformador o del generador debe encontrarse en todo momento entre un +5 % y un -15 % de la tensión nominal de la herramienta.

Peso, placa base pequeña	4,5 kg
Peso, placa base grande	4,7 kg
Diámetro de la hoja de sierra	160 mm ... 165 mm
Grosor del disco base de las hojas de sierra	1,1 mm ... 1,5 mm
Taladro de alojamiento de la hoja de sierra	20 mm
Profundidad de corte a 0°	0 mm ... 55 mm
Profundidad de corte a 45°	0 mm ... 41 mm
Profundidad de corte a 50°	0 mm ... 37 mm
Velocidad de giro en vacío	5.500 rpm

4.2 Información sobre la emisión de ruidos y valores de vibración según EN 62841

Los valores de vibración y de presión acústica indicados en estas instrucciones han sido medidos conforme a los procedimientos de medición homologados y pueden utilizarse para la comparación de diferentes herramientas eléctricas. También resultan útiles para realizar un análisis de los riesgos de exposición.

Los datos indicados son específicos para las aplicaciones principales de la herramienta eléctrica. Los datos pueden, no obstante, registrar variaciones si la herramienta eléctrica se emplea para otras aplicaciones o con útiles de inserción distintos, o si se ha efectuado un mantenimiento insuficiente de la herramienta. En estos casos, los riesgos de exposición podrían aumentar considerablemente durante toda la sesión de trabajo.

A fin de obtener un análisis preciso de los riesgos de exposición, también deben tenerse en cuenta los períodos en los que la herramienta está desconectada o está en marcha, pero no realmente en uso. De este modo, los riesgos de exposición podrían reducirse considerablemente durante toda la sesión de trabajo.

Adopte medidas de seguridad adicionales para proteger al usuario del efecto del ruido y de las vibraciones, como por ejemplo: mantenimiento de la herramienta eléctrica y los útiles de inserción, mantener las manos calientes, organización de los procesos de trabajo, etc.

Información sobre la emisión de ruidos

Nivel de potencia acústica (L_{WA})	101 dB(A)
Nivel de intensidad acústica (L_{pA})	90 dB(A)
Incertidumbre	3 dB(A)

Información sobre la emisión de vibraciones

	230 V	110 V
Valor de vibración triaxial en el serrado de madera (a_h)	1,77 m/s ² (5,81 ft/s ²)	2,12 m/s ² (6,96 ft/s ²)
La incertidumbre (K)	1,5 m/s ²	1,5 m/s ²



5 Manejo

5.1 Desmontar la hoja de sierra

ADVERTENCIA

Riesgo de lesiones Peligro por calentamiento de la herramienta, la brida de apriete o el tornillo de apriete y por los filos cortantes de la hoja de sierra.

- ▶ Utilice guantes de protección para cambiar de útil.

1. Extraiga el enchufe de red de la toma de corriente.
2. Coloque la llave de hexágono interior en el tornillo de fijación de la hoja de sierra.
3. Pulse el botón de bloqueo del husillo y manténgalo presionado.
4. Gire el tornillo de apriete de la hoja de sierra con la llave de hexágono interior hasta que el botón de bloqueo del husillo encaje completamente.
5. Afloje el tornillo de apriete con la llave de hexágono interior girando en el sentido que indica la flecha de giro.
6. Retire el tornillo de apriete y la brida de apriete exterior.
7. Abra la caperuza protectora contra oscilaciones girando la hoja de sierra hasta extraerla.



En caso necesario puede extraerse la brida de alojamiento para su limpieza.

5.2 Montaje de la hoja de sierra

PRECAUCIÓN

Riesgo de daños El uso de hojas de sierra inadecuadas o mal colocadas puede dañar la sierra.

- ▶ Utilice solo hojas de sierra adecuadas para esta sierra. Tenga en cuenta la dirección de giro de la hoja de sierra indicada por la flecha.
- ▶ Utilice únicamente hojas de sierra cuya velocidad admisible alcance, como mínimo, el valor máximo indicado en el producto.

1. Extraiga el enchufe de red de la toma de corriente.
2. Limpie la brida de alojamiento y la brida de apriete.
3. Encaje la brida de alojamiento correctamente orientada.
4. Abra la caperuza protectora contra oscilaciones.
5. Inserte la nueva hoja de sierra.
6. Encaje la brida de apriete externa correctamente orientada.
7. Coloque el tornillo de apriete.
8. Coloque la llave de hexágono interior en el tornillo de apriete de la hoja de sierra.
9. Fije la brida de apriete con el tornillo de apriete girando en el sentido de las agujas del reloj. Para ello, mantenga pulsado el botón de bloqueo del husillo con una mano.
10. Antes de la puesta en servicio, compruebe que la hoja de sierra está correctamente fijada.

5.3 Ajuste de la profundidad de corte

1. Extraiga el enchufe de red de la toma de corriente.
2. Extraiga la palanca de apriete del dispositivo de ajuste de la profundidad de corte.
3. Levante la sierra circular como si se tratara de unas tijeras y ajuste la profundidad de corte.
 - ▶ La profundidad de corte se muestra en la escala de ajuste de la profundidad de corte.



Para un borde de corte limpio, la profundidad de corte debe corresponderse con el grosor del material de corte más 2 mm.

4. Fije la palanca de apriete para el ajuste de la profundidad de corte.

5.4 Ajuste del ángulo de corte

1. Extraiga el enchufe de red de la toma de corriente.
2. Extraiga la palanca de apriete del dispositivo de ajuste del ángulo de corte.



3. Gire la placa base hasta el ángulo de corte deseado.
 - ↳ El ángulo de corte se muestra en la escala de ajuste del ángulo de corte.
4. Fije la palanca de apriete del dispositivo de ajuste del ángulo de corte.

5.5 Indicador de trazado

En la placa base delantera de la sierra circular se encuentra un indicador de trazado (0° y 45°) para cortes rectos y diagonales. De este modo, se pueden ejecutar cortes precisos en función del ángulo de corte seleccionado. El trazado coincide con la cara interna de la hoja de sierra. En la parte delantera del corte se encuentra un indicador de trazado para la hoja de sierra.

5.5.1 Serrar según el trazado



Fije bien la pieza de trabajo para que no se mueva.

Coloque la pieza de trabajo de tal modo que la hoja de sierra pueda girar con total libertad debajo de la pieza de trabajo.

Asegúrese de que el interruptor de conexión y desconexión del producto esté desconectado.

Coloque la sierra circular con la placa base sobre la pieza de trabajo de modo que la hoja de sierra no entre todavía en contacto con la pieza de trabajo.

1. Conecte la sierra circular.
2. Desplace la sierra circular a lo largo del trazado de la pieza de trabajo a una velocidad de trabajo adecuada.

5.6 Serrado con tope paralelo

Con el tope paralelo de un brazo pueden realizarse cortes exactos a lo largo del borde de una pieza de trabajo o cortes masivos de listones. El tope paralelo puede montarse a ambos lados de la placa base.

El tope paralelo de dos brazos debe utilizarse exclusivamente con la placa base grande.

Asegúrese de orientar bien el tope paralelo al colocarlo.

5.7 Serrado con carril guía.

El serrado con carril guía puede reducir la aparición de rebotes.

5.7.1 Inserción / extracción de la sierra circular en el adaptador del carril guía



Durante el serrado con placa base pequeña, se recomienda utilizar un adaptador del carril guía apropiado.

1. Si procede, retire el tope paralelo montado.
2. Desplace la placa base hacia las almas de soporte traseras del adaptador del carril guía.
3. Fije la placa base delantera por completo en el adaptador del carril guía. La placa base debe encajar completamente en el alma de soporte delantera.
4. Para extraerla, tire ligeramente del alma de soporte delantera hacia delante y extraiga la sierra circular del adaptador del carril guía.

5.7.2 Corte longitudinal a 0°

- ▶ Coloque la sierra circular con la marca de ranura «0°» sobre el alma del carril guía.

5.7.3 Cortes longitudinales en ángulos de hasta 50°



PRECAUCIÓN

Riesgo de daños Si coloca la sierra en la ranura incorrecta, se producirá una colisión de la hoja de sierra con el carril guía.

- ▶ Fije la sierra en la ranura correcta.
- ▶ Coloque la sierra con la marca de ranura «1°-50°» sobre el alma del carril guía.

5.7.4 Serrado con carril guía

1. Fije el carril guía con dos sargentos por la parte inferior.



2. Coloque la sierra circular en la zona de fijación del carril guía. Para realizar cortes longitudinales con un ángulo de corte de 20°-50°, abra la caperuzas protectora con la mano.



La sierra circular debe fijarse en el carril guía por detrás de la pieza de trabajo. Asegúrese de que la hoja de sierra no entre en contacto con la pieza de trabajo.

3. Conecte la sierra circular.
4. Desplace la sierra circular de forma uniforme sobre la pieza de trabajo.
 - ↳ En ángulos de corte inferiores a 20°, la caperuzas protectora contra oscilaciones se abre al entrar en contacto con el borde lateral.
 - ↳ Esta se cierra de nuevo al sobrepasar el final del carril guía.

5.8 Serrado con y sin aspiración de virutas

La sierra circular está equipada con un manguito de empalme compatible con tubos de aspiración convencionales de 27 mm de diámetro. Para conectar el tubo de aspiración a la sierra circular, es posible que se requiera un adaptador específico.

Utilice siempre que sea posible un extractor de polvo móvil para madera o madera y minerales.

Si trabaja sin aspiración de virutas, seleccione la dirección de expulsión girando, de modo que usted mismo pueda expulsar las virutas.



Utilice en principio una mascarilla de protección con filtro de clase P2 y procure que exista una ventilación suficiente para que la carga de polvo sea la menor posible.

6 Cuidado y mantenimiento

6.1 Cuidado y mantenimiento



ADVERTENCIA

Peligro de descarga eléctrica. La realización de tareas de cuidado y mantenimiento con el enchufe conectado a la toma de corriente de puede provocar lesiones y quemaduras graves.

- ▶ Extraiga siempre el enchufe de la toma de corriente antes de realizar cualquier tarea de cuidado y mantenimiento.

Cuidado

- Retire con cuidado la suciedad fuertemente adherida.
- Limpie cuidadosamente las rejillas de ventilación con un cepillo seco.
- Limpie la carcasa utilizando únicamente un paño ligeramente humedecido. No utilice limpiadores que contengan silicona, ya que podría afectar a las piezas de plástico.

Mantenimiento



ADVERTENCIA

Riesgo de descarga eléctrica. Las reparaciones indebidas en componentes eléctricos pueden producir lesiones graves y quemaduras.

- ▶ Las reparaciones de la parte eléctrica sólo puede llevarlas a cabo un técnico electricista cualificado.
- Compruebe con regularidad si las piezas visibles están dañadas o si los elementos de manejo funcionan correctamente.
- No utilice el producto si presenta daños o fallos que afecten al funcionamiento. Llévela de inmediato al Servicio Técnico de **Hilti** para que la reparen.
- Coloque todos los dispositivos de protección después de las tareas de cuidado y mantenimiento y compruebe su correcto funcionamiento.



Para garantizar un correcto funcionamiento, utilice exclusivamente piezas de repuesto y material de consumo originales. Puede encontrar piezas de repuesto, consumibles y accesorios para su producto que nosotros mismos comercializamos en **Hilti Store** o en: www.hilti.group.



6.2 Comprobación después de las tareas de cuidado y mantenimiento

i Una vez realizadas las tareas de cuidado y mantenimiento, compruebe si están colocados todos los dispositivos de protección y si estos funcionan correctamente.

- ▶ Para comprobar la caperuza protectora contra oscilaciones, ábrala por completo presionando la palanca de mando.
 - ↳ Al soltar la palanca de mando, la caperuza protectora contra oscilaciones debe cerrarse rápidamente y por completo.

6.3 Limpieza del canal de virutas

i En caso necesario, deberá desmontar la hoja de sierra para su limpieza.

1. Extraiga el enchufe de red de la toma de corriente.
2. Desmonte la hoja de sierra. → página 19
3. Limpie el canal de virutas.
4. Monte la hoja de sierra. → página 19
5. Controle si funcionan correctamente, sin atascarse, las partes móviles de la herramienta, y si existen partes rotas o deterioradas que pudieran afectar al funcionamiento de la herramienta.

6.4 Limpieza del dispositivo de protección

1. Desmonte la hoja de sierra. → página 19
2. Limpie cuidadosamente los dispositivos de protección con un cepillo seco.
3. Elimine los sedimentos y virutas acumulados en el interior de los dispositivos de protección con la herramienta adecuada.
4. Monte la hoja de sierra. → página 19


7 Localización de averías

Anomalía	Posible causa	Solución
La herramienta no desarrolla toda la potencia.	El alargador es demasiado largo o tiene una sección transversal insuficiente.	▶ Utilice un alargador con una longitud permitida y/o con una sección transversal suficiente.
	La alimentación de tensión es muy baja.	▶ Conecte la herramienta a otra fuente de alimentación de tensión.
La herramienta no funciona.	Alimentación de tensión interrumpida.	▶ Conecte otra herramienta eléctrica y compruebe si funciona.
	Cable de red o enchufe defectuosos.	▶ Encargue la revisión del cable de red o del enchufe y su sustitución (si fuera necesaria) a personal técnico cualificado del servicio técnico de Hilti .
	Interruptor de conexión y desconexión defectuoso.	▶ Encargue la reparación del producto al Servicio Técnico de Hilti .
	Escobillas de carbón desgastadas.	▶ Encargue la reparación del producto al Servicio Técnico de Hilti .
Rendimiento de aspiración nulo o reducido.	El canal de virutas está obstruido.	▶ Limpie el canal de virutas. → página 22
La caperuza protectora contra oscilaciones no se cierra.	El dispositivo de protección está obstruido.	▶ Limpie el dispositivo de protección. → página 22



Anomalia	Posible causa	Solución
La herramienta vibra más de lo habitual.	Hoja de sierra mal instalada.	► Desmonte la hoja de sierra y vuelva a montarla correctamente.

8 Reciclaje

Las herramientas  Hilti están fabricadas en su mayor parte con materiales reutilizables. La condición para dicha reutilización es una separación adecuada de los materiales. En muchos países, Hilti recoge las herramientas usadas para su recuperación. Pregunte en el Servicio de Atención al Cliente de Hilti o a su asesor de ventas.



- No deseche las herramientas eléctricas, los aparatos eléctricos ni las baterías junto con los residuos domésticos.

9 RoHS (Directiva sobre restricciones de la utilización de sustancias peligrosas)

Puede ver la tabla de sustancias peligrosas en el siguiente enlace: qr.hilti.com/r2937786.

Al final de esta documentación encontrará, en forma de código QR, un enlace a la tabla sobre la directiva RoHS.

10 Garantía del fabricante

- Si tiene alguna consulta acerca de las condiciones de la garantía, póngase en contacto con su sucursal local de Hilti.



1 Indicações sobre a documentação

1.1 Sobre esta documentação

- Antes da colocação em funcionamento, leia esta documentação. Esta é a condição para um trabalho seguro e um manuseamento sem problemas.
- Tenha em atenção as instruções de segurança e as advertências nesta documentação e no produto.
- Guarde o manual de instruções sempre junto do produto e entregue-o a outras pessoas apenas juntamente com este manual.

1.2 Explicação dos símbolos

1.2.1 Advertências

As advertências alertam para perigos durante a utilização do produto. São utilizadas as seguintes palavras de aviso:



PERIGO

PERIGO !

- ▶ Indica perigo iminente que pode originar acidentes pessoais graves ou até mesmo fatais.



AVISO

AVISO !

- ▶ Indica um possível perigo que pode causar graves ferimentos pessoais, até mesmo fatais.



CUIDADO

CUIDADO !

- ▶ Indica uma situação potencialmente perigosa que pode originar ferimentos ligeiros ou danos materiais.

1.2.2 Símbolos na documentação

Nesta documentação são utilizados os seguintes símbolos:

	Leia o manual de instruções antes da utilização
	Instruções de utilização e outras informações úteis
	Manuseamento com materiais recicláveis
	Não deitar as ferramentas eléctricas e baterias no lixo doméstico

1.2.3 Símbolos nas figuras

Em figuras são utilizados os seguintes símbolos:

	Estes números referem-se à respectiva imagem no início deste Manual
3	A numeração reproduz uma sequência dos passos de trabalho na imagem e pode divergir dos passos de trabalho no texto
	Na figura Vista geral são utilizados números de posição que fazem referência aos números da legenda na secção Vista geral do produto
	Este símbolo pretende despertar a sua atenção durante o manuseamento do produto.

1.3 Símbolos dependentes do produto

1.3.1 Símbolos no produto

No produto podem ser utilizados os seguintes símbolos:



	Transferência de dados sem fios
n_0	Velocidade nominal em vazio
	Classe II de protecção (com duplo isolamento)
	Lâmina de serra

1.4 Dados informativos sobre o produto

Os produtos destinam-se ao utilizador profissional e só podem ser operados, mantidos e reparados por pessoal autorizado, devidamente qualificado. Estas pessoas deverão estar informadas em particular sobre os potenciais perigos. O produto e seu equipamento auxiliar podem representar perigo se usados incorrectamente por pessoas não qualificadas ou se usados para fins diferentes daqueles para os quais foram concebidos.

A designação e o número de série são indicados na placa de características.

- ▶ Registe o número de série na tabela seguinte. Precisa dos dados do produto para colocar questões ao nosso representante ou posto de serviço de atendimento aos clientes.

Dados do produto

Serra circular	SC 55W
Geração	01
N.º de série	

1.5 Declaração de conformidade

Declaramos sob nossa exclusiva responsabilidade que o produto aqui descrito está em conformidade com as directivas e normas em vigor. Na parte final desta documentação encontra uma reprodução da declaração de conformidade.

As documentações técnicas estão aqui guardadas:

Hilti Entwicklungsgesellschaft mbH | Zulassung Geräte | Hiltistraße 6 | 86916 Kaufering, DE

2 Segurança

2.1 Normas de segurança gerais para ferramentas eléctricas

⚠ AVISO Leia todas as normas de segurança, instruções, imagens e dados técnicos, com os quais esta ferramenta eléctrica está equipada. O não cumprimento das instruções a seguir pode resultar em choque eléctrico, incêndio e/ou ferimentos graves.

Guarde bem todas as normas de segurança e instruções para futura referência.

O termo "ferramenta eléctrica" utilizado nas normas de segurança refere-se a ferramentas com ligação à corrente eléctrica (com cabo de alimentação) ou a ferramentas a bateria (sem cabo).

Segurança no posto de trabalho

- ▶ **Mantenha a sua área de trabalho limpa e bem iluminada.** Locais desarrumados ou mal iluminados podem ocasionar acidentes.
- ▶ **Não utilize a ferramenta eléctrica em ambientes explosivos ou na proximidade de líquidos ou gases inflamáveis.** Ferramentas eléctricas produzem faíscas que podem provocar a ignição de pó e vapores.
- ▶ **Mantenha crianças e terceiros afastados durante os trabalhos.** Distracções podem conduzir à perda de controlo sobre a ferramenta.

Segurança eléctrica

- ▶ **A ficha da ferramenta eléctrica deve servir na tomada. A ficha não deve ser modificada de modo algum. Não utilize quaisquer adaptadores com ferramentas eléctricas com ligação terra.** Fichas originais (não modificadas) e tomadas adequadas reduzem o risco de choque eléctrico.
- ▶ **Evite o contacto do corpo com superfícies ligadas à terra, como, por exemplo, canos, radiadores, fogões e frigoríficos.** Existe um risco elevado de choque eléctrico se o corpo estiver com ligação à terra.
- ▶ **As ferramentas eléctricas não devem ser expostas à chuva nem à humidade.** A infiltração de água numa ferramenta eléctrica aumenta o risco de choque eléctrico.



- ▶ **Não use o cabo de ligação para transportar, pendurar ou desligar a ferramenta eléctrica da tomada. Mantenha o cabo de ligação afastado de calor, óleo, arestas vivas ou partes em movimento.** Cabos de ligação danificados ou emaranhados aumentam o risco de choque eléctrico.
- ▶ **Quando operar uma ferramenta eléctrica ao ar livre, utilize apenas cabos de extensão próprios para utilização no exterior.** A utilização de um cabo de extensão próprio para utilização no exterior reduz o risco de choques eléctricos.
- ▶ **Utilize um disjuntor diferencial se não puder ser evitada a utilização da ferramenta eléctrica em ambiente húmido.** A utilização de um disjuntor diferencial reduz o risco de choque eléctrico.

Segurança física

- ▶ **Esteja alerta, observe o que está a fazer, e tenha prudência ao trabalhar com uma ferramenta eléctrica. Se estiver cansado ou sob influência de drogas, álcool ou medicamentos não efectue nenhum trabalho com ferramentas eléctricas.** Um momento de distração ao operar a ferramenta eléctrica pode causar ferimentos graves.
- ▶ **Use equipamento de segurança. Use sempre óculos de protecção.** Equipamento de segurança, como, por exemplo, máscara antipoeiras, sapatos de segurança antiderrapantes, capacete de segurança ou protecção auricular, de acordo com o tipo e aplicação da ferramenta eléctrica, reduzem o risco de lesões.
- ▶ **Evite um arranque involuntário. Assegure-se de que a ferramenta eléctrica está desligada antes de a ligar à fonte de alimentação e/ou à bateria, pegar nela ou a transportar.** Transportar a ferramenta eléctrica com o dedo no interruptor ou ligar uma ferramenta à tomada com o interruptor ligado (ON) pode resultar em acidentes.
- ▶ **Remova quaisquer chaves de ajuste (chaves de fenda), antes de ligar a ferramenta eléctrica.** Um acessório ou chave deixado preso numa parte rotativa da ferramenta pode causar ferimentos.
- ▶ **Evite posturas corporais desfavoráveis. Mantenha sempre uma posição correcta, em perfeito equilíbrio.** Desta forma será mais fácil manter o controlo sobre a ferramenta eléctrica em situações inesperadas.
- ▶ **Use roupa apropriada. Não use roupa larga ou jóias. Mantenha o cabelo, vestuário e luvas afastados das peças móveis.** Roupas largas, jóias ou cabelos compridos podem ficar presos nas peças móveis.
- ▶ **Se poderem ser montados sistemas de remoção e de recolha de pó, assegure-se de que estes estão ligados e são utilizados correctamente.** A utilização de um sistema de remoção de pó pode reduzir os perigos relacionados com a exposição ao mesmo.
- ▶ **Não se acomode numa falsa sensação de segurança e não ignore os regulamentos de segurança para ferramentas eléctricas, mesmo se estiver familiarizado com a ferramenta eléctrica após numerosas utilizações.** Agir de forma descuidada pode causar ferimentos graves dentro duma fracção de segundo.

Utilização e manuseamento da ferramenta eléctrica

- ▶ **Não sobrecarregue a ferramenta. Use para o seu trabalho a ferramenta eléctrica correcta.** Com a ferramenta eléctrica adequada obterá maior eficiência e segurança se respeitar os seus limites.
- ▶ **Não utilize a ferramenta eléctrica se o interruptor estiver defeituoso.** Uma ferramenta eléctrica que já não possa ser accionada pelo interruptor é perigosa e deve ser reparada.
- ▶ **Retire a ficha da tomada e/ou remova uma bateria amovível antes de efectuar ajustes na ferramenta, substituir acessórios ou guardar a ferramenta.** Esta medida preventiva evita o accionamento acidental da ferramenta eléctrica.
- ▶ **Guarde ferramentas eléctricas não utilizadas fora do alcance das crianças. Não permita que a ferramenta seja utilizada por pessoas não familiarizadas com a mesma ou que não tenham lido estas instruções.** Ferramentas eléctricas operadas por pessoas não treinadas são perigosas.
- ▶ **Faça uma manutenção regular de ferramentas eléctricas e acessórios. Verifique se as partes móveis funcionam perfeitamente e não emperram ou se há peças quebradas ou danificadas que possam influenciar o funcionamento da ferramenta eléctrica. Peças danificadas devem ser reparadas antes da utilização da ferramenta.** Muitos acidentes são causados por ferramentas eléctricas com manutenção deficiente.
- ▶ **Mantenha as ferramentas de corte sempre afiadas e limpas.** Acessórios com gumes afiados tratados correctamente emperram menos e são mais fáceis de controlar.
- ▶ **Utilize a ferramenta eléctrica, acessórios, bits, etc., de acordo com estas instruções. Tome também em consideração as condições de trabalho e o trabalho a ser efectuado.** A utilização da ferramenta eléctrica para outros fins além dos previstos, pode ocasionar situações de perigo.
- ▶ **Mantenha punhos e respectivas superfícies secos, limpos e isentos de óleo e gordura.** Punhos e superfícies afins escorregadios não permitem um manuseamento e controlo seguro da ferramenta eléctrica em situações imprevistas.



Manutenção

- ▶ **A sua ferramenta eléctrica só deve ser reparada por pessoal qualificado e só devem ser utilizadas peças sobressalentes originais.** Isto assegurará que a segurança da ferramenta eléctrica se mantenha.

2.2 Normas de segurança para todas as serras

Processo de corte

- ▶ **⚠ PERIGO: Não introduza as mãos na zona de corte nem toque na própria lâmina de serra. Segure o punho adicional ou a carcaça do motor com a outra mão.** Se ambas as mãos segurarem a serra, estas não poderão ser feridas pela lâmina.
- ▶ **Não introduza a mão por baixo da peça a cortar.** O resguardo de disco não poderá protegê-lo da lâmina de serra neste sítio.
- ▶ **Adapte a profundidade de corte à espessura da peça a cortar.** Menos de uma altura total de um dente do dentado da lâmina deveria desaparecer abaixo da peça a cortar.
- ▶ **Nunca segure a peça a cortar com as mãos ou sobre as pernas. Fixe-a a um suporte estável.** É importante fixar a peça a cortar firmemente, a fim de minimizar as possibilidades de haver contacto com o corpo, de a lâmina de serra emperrar ou de se perder o controlo.
- ▶ **Pegue na ferramenta eléctrica apenas pelas áreas isoladas dos punhos quando executar trabalhos onde a lâmina pode encontrar cabos eléctricos encobertos ou o próprio cabo de rede.** O contacto com um cabo sob tensão também coloca as partes metálicas da ferramenta eléctrica sob tensão e conduz a um choque eléctrico.
- ▶ **Utilize sempre um encosto ou uma guia recta quando efectuar cortes longitudinais.** Isto melhora a qualidade do corte e reduz a possibilidade de a lâmina de serra bloquear.
- ▶ **Utilize sempre lâminas de serra de tamanho correcto e com um orifício de montagem adequado (por ex., em forma de estrela ou circular).** Lâminas de serra que não combinam com as peças de montagem, apresentam excentricidade e conduzem à perda de controlo.
- ▶ **Nunca utilize anilhas adicionais ou parafusos para a lâmina de serra que estejam danificados ou não sejam adequados.** As anilhas adicionais e os parafusos para a lâmina de serra foram especificamente fabricados para esta serra, a fim de se obter um rendimento e uma segurança de funcionamento óptimos.

Coice - causas e respectivas normas de segurança

- um coice é a reacção repentina de uma lâmina de serra que prende, bloqueia ou está mal alinhada. Isto faz com que uma serra descontrolada ressalte e saia da peça a cortar e se mova na direcção do operador;
- a lâmina de serra bloqueia quando esta engata ou fica presa na ranhura de corte que se vai fechando. A força do motor impulsiona então a serra na direcção do operador;
- quando se desalinha ou se orienta incorrectamente a lâmina de serra na ranhura de corte, os dentes do rebordo posterior da mesma podem engatar-se na superfície da peça a cortar, o que provoca um movimento de saída da lâmina de serra da ranhura de corte e a ferramenta ressalta na direcção do operador.

Um coice é a consequência de uma utilização incorrecta ou deficiente da serra. Este pode ser evitado através de precauções adequadas, como descrito a seguir.

- ▶ **Segure a serra com ambas as mãos, colocando os braços numa posição em que poderá absorver as forças do coice. Coloque-se sempre ao lado da lâmina de serra, tentando que a lâmina de serra e o próprio corpo nunca se encontrem na mesma linha.** No caso de um coice, a serra circular pode saltar para trás. Porém, o operador da serra pode dominar as forças do coice através de precauções adequadas.
- ▶ **Caso interrompa o trabalho ou a lâmina de serra encrave, desligue a serra e segure-a com calma dentro do material, até a lâmina de serra ficar imobilizada. Nunca tente retirar a lâmina de serra da peça a cortar, ou de retroceder com a serra, enquanto a mesma está em movimento; caso contrário, pode ocorrer um coice.** Determine e corrija a causa de a lâmina de serra encravar.
- ▶ **Se pretender fazer arrancar uma serra dentro do material, centre a lâmina na ranhura de corte e verifique se os dentes não estão encravados na peça a cortar.** Se a lâmina de serra estiver bloqueada, esta pode escapar do material, ou produzir um contragolpe ao voltar a ligar-se a serra.
- ▶ **Escove placas grandes, a fim de diminuir o perigo de um coice devido a um disco de corte bloqueado.** Placas grandes podem flectir sob o seu próprio peso. Placas têm de ser escoradas de ambos os lados, tanto na proximidade da ranhura de corte como também na borda.
- ▶ **Não utilize lâminas de serra embotadas ou danificadas.** Lâminas de serra com dentes embotados ou mal alinhados produzem uma fricção maior, aumentando o perigo de bloqueios e coices.



- ▶ **Ajuste as regulações da profundidade e do ângulo de corte antes de começar com o corte.** Se as regulações se modificam durante o corte, a lâmina de serra pode bloquear-se, produzindo um coice.
- ▶ **Tenha particular atenção ao cortar em paredes existentes ou noutras áreas não inspeccionáveis.** Durante a imersão, a lâmina de serra pode ficar bloqueada em objectos encobertos, causando um coice.

Função do resguardo inferior

- ▶ **Antes de cada utilização, verifique se o resguardo de disco inferior fecha correctamente. Não utilize a serra, se o resguardo de disco inferior não se mover com facilidade e não se fechar imediatamente. Nunca trave ou prenda o resguardo de disco inferior em posição aberta.** Se a serra cair involuntariamente ao solo, o resguardo de disco inferior pode dobrar-se. Abra o resguardo de disco através da alavanca de tracção e assegure-se de que se move com liberdade, sem tocar nem na lâmina de serra nem noutras partes em todos os ângulos e profundidades de corte.
- ▶ **Comprove a função da mola para o resguardo de disco inferior. Mandê efectuar uma manutenção antes de utilizar a serra se o resguardo de disco inferior ou a respectiva mola não funcionarem correctamente.** Partes danificadas, depósitos pegajosos ou acumulações de aparas fazem com que o resguardo de disco inferior apresente um funcionamento retardado.
- ▶ **Abra o resguardo de disco inferior à mão unicamente em caso de cortes especiais, como "cortes de imersão ou em ângulo". Abra o resguardo de disco inferior através da alavanca de tracção, soltando-a logo que a lâmina de serra mergulhar na peça a cortar.** Em todos os outros trabalhos de corte, o resguardo de disco inferior deve trabalhar automaticamente.
- ▶ **Não pouse a serra sobre a bancada de trabalho ou o solo, sem que o resguardo de disco inferior cubra a lâmina de serra.** Uma lâmina de serra sem protecção e em marcha inercial move a serra no sentido contrário ao de corte e corta o que encontrar no caminho. Tenha em conta o tempo de marcha inercial da serra.

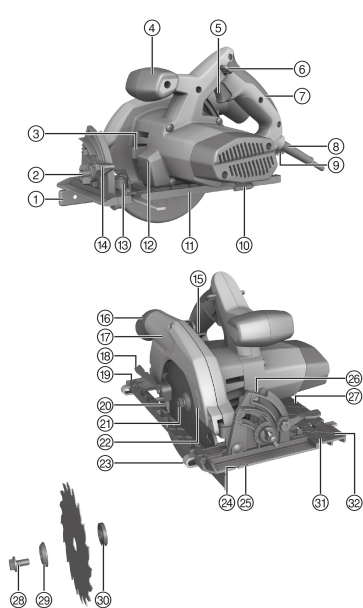
2.3 Normas de segurança adicionais da serra circular

- ▶ Conduza a serra circular manual contra a peça a cortar apenas quando ligada.
 - ↳ A linha de corte deve estar livre de obstáculos, tanto em cima como em baixo. Não serre parafusos, pregos ou semelhantes.
- ▶ Nunca trabalhe com uma serra circular em posição invertida.
- ▶ Nunca trave a serra circular por contrapressão lateral.
- ▶ Evite o sobreaquecimento das pontas dos dentes da serra.
- ▶ Ao serrar materiais plásticos deve evitar-se a fusão do plástico.
- ▶ Para o material base a cortar, utilize sempre a respectiva lâmina de serra.
- ▶ Utilize apenas lâminas de serra recomendadas pela Hilti, que correspondam à norma EN 847-1.



3 Descrição

3.1 Vista geral do produto 1



- ① Encosto paralelo de um braço
- ② Pré-ajuste para ângulo de corte
- ③ Botão de bloqueio do veio
- ④ Punho adicional
- ⑤ Interruptor on/off
- ⑥ Dispositivo de aperto
- ⑦ Punho
- ⑧ Cabo de alimentação
- ⑨ Alavanca de aperto para regulação da profundidade de corte
- ⑩ Chave para sextavado interior
- ⑪ Placa base pequena
- ⑫ Luz de trabalho (LEDs)
- ⑬ Alavanca de aperto para encosto paralelo dianteiro
- ⑭ Alavanca de aperto para regulação do ângulo de corte
- ⑮ Escala de profundidades de corte
- ⑯ Bocal (aspirador)
- ⑰ Cobertura de protecção
- ⑱ Alavanca de comando para resguardo de disco pendular
- ⑲ Alavanca de aperto para encosto paralelo traseiro (apenas para placas base grandes)
- ⑳ Resguardo de disco pendular
- ㉑ Veio
- ㉒ Seta indicadora do sentido de rotação
- ㉓ Encosto paralelo de dois braços
- ㉔ Marcação de corte 0°
- ㉕ Marcação de corte 45°
- ㉖ Escala de ângulos de corte
- ㉗ Placa base grande
- ㉘ Parafuso de aperto
- ㉙ Flange de aperto
- ㉚ Flange de montagem
- ㉛ Marcação da ranhura 0° na placa base
- ㉜ Marcação da ranhura 1° - 50° na placa base

3.2 Vista geral do adaptador para trilho-guia 2

- | | |
|-----------------------------------|---------------------------------|
| ③③ Nervuras de retenção traseiras | ③⑤ Marcação da ranhura 0° |
| ③④ Nervura de retenção dianteira | ③⑥ Marcação da ranhura 1° - 50° |

3.3 Utilização conforme a finalidade projectada

O produto descrito é uma serra circular. Foi concebida para trabalhos de corte em madeira ou derivados de madeira, plásticos, gesso cartonado, placas de fibrogesso e materiais compostos, com profundidade de corte até 55 mm, bem como cortes em meia-esquadria até 50°.

3.3.1 Possível uso incorrecto

Não podem ser utilizadas lâminas de serra que não correspondam às indicações nos dados técnicos, discos de corte, discos abrasivos, assim como lâminas de serra de aço de corte rápido com alto teor de liga (aço HSS). Não utilize esta ferramenta para cortar metais.



3.4 Incluído no fornecimento

Serra circular, lâmina de serra, chave para sextavado interior, encosto paralelo, Manual de instruções.

Para um funcionamento seguro, utilize apenas peças sobresselentes e consumíveis originais. Poderá encontrar peças sobresselentes, consumíveis e acessórios aprovados por nós para o seu produto no seu **Hilti Store** ou em: **www.hilti.group**

4 Características técnicas

4.1 Características técnicas

Consulte a tensão nominal, corrente nominal, frequência e potência nominal na sua placa de características específica do país.

Em caso de alimentação por um gerador ou transformador, a respectiva potência de saída mínima deverá corresponder ao dobro da potência nominal indicada na placa de características do aparelho. A tensão de serviço do transformador ou gerador deverá encontrar-se sempre entre +5% e -15% da tensão nominal da ferramenta.

Peso, sem placa base	4,5 kg
Peso, placa base grande	4,7 kg
Diâmetro da lâmina de serra	160 mm ... 165 mm
Espessura de raiz das lâminas de serra	1,1 mm ... 1,5 mm
Orifício de montagem da lâmina de serra	20 mm
Profundidade de corte a 0°	0 mm ... 55 mm
Profundidade de corte a 45°	0 mm ... 41 mm
Profundidade de corte a 50°	0 mm ... 37 mm
Velocidade de rotação em vazio	5 500 rpm

4.2 Informação sobre o ruído e valores de vibração em conformidade com a EN 62841

Os valores de pressão acústica e de vibração indicados nestas instruções foram medidos em conformidade com um processo de medição normalizado, podendo ser utilizados para a intercomparação de ferramentas eléctricas. Estes valores são também apropriados para uma estimativa preliminar das exposições.

Os dados indicados representam as aplicações principais da ferramenta eléctrica. No entanto, se a ferramenta eléctrica for utilizada para outras aplicações, com acessórios diferentes dos indicados ou manutenção insuficiente, os dados podem diferir. Isso pode aumentar notoriamente as exposições durante todo o período de trabalho.

Para uma avaliação exacta das exposições também se devem considerar os períodos durante os quais a ferramenta está desligada ou, embora ligada, não esteja de facto a ser utilizada. Isso pode reduzir notoriamente as exposições durante todo o período de trabalho.

Defina medidas de segurança adicionais para protecção do operador contra a acção do ruído e/ou de vibrações, como, por exemplo: manutenção da ferramenta eléctrica e dos acessórios, medidas para manter as mãos quentes, organização dos processos de trabalho.

Informação sobre ruído

Nível de emissão sonora (L_{WA})	101 dB(A)
Nível de pressão da emissão sonora (L_{pA})	90 dB(A)
Incerteza	3 dB(A)

Informação sobre vibrações

	230 V	110 V
Nível de vibração triaxial ao serrar madeira (a_h)	1,77 m/s ² (5,81 ft/s ²)	2,12 m/s ² (6,96 ft/s ²)
Incerteza (K)	1,5 m/s ²	1,5 m/s ²



5 Utilização

5.1 Desmontar a lâmina de serra

AVISO

Risco de queimaduras Perigo devido a ferramenta quente, flange de aperto ou parafuso de aperto e a rebordos afiados da lâmina de serra.

- ▶ Use luvas de protecção para a troca do acessório.

1. Retire a ficha de rede da tomada.
2. Aplique a chave para sextavado interior ao parafuso de fixação para a lâmina de serra.
3. Prima o botão de bloqueio do veio e mantenha-o premido.
4. Com a chave para sextavado interior, rode o parafuso de aperto para a lâmina de serra até o botão de bloqueio do veio engatar completamente.
5. Solte o parafuso de aperto com a chave para sextavado interior, rodando no sentido da seta indicadora do sentido de rotação.
6. Retire o parafuso de aperto e a flange de aperto exterior.
7. Abra o resguardo de disco pendular afastando-o para o lado e remova a lâmina de serra.



Em caso de necessidade, a falange de montagem pode ser retirada para limpeza.

5.2 Montar a lâmina de serra

CUIDADO

Perigo de danos Lâminas de serra inadequadas ou incorrectamente inseridas podem danificar a serra.

- ▶ Utilize somente lâminas de serra adequadas para esta serra. Respeite o sentido de rotação indicado pela seta na lâmina de serra.
- ▶ Utilize apenas lâminas de serra cuja velocidade de rotação permitida seja, no mínimo, tão alta quanto o número máximo de rotações indicado no produto.

1. Retire a ficha de rede da tomada.
2. Limpe as flanges de montagem e de aperto.
3. Encaixe a falange de montagem na orientação correcta.
4. Abra o resguardo de disco pendular.
5. Coloque a lâmina de serra nova.
6. Encaixe a flange de aperto exterior na orientação correcta.
7. Coloque o parafuso de aperto.
8. Aplique a chave para sextavado interior no parafuso de aperto para a lâmina de serra.
9. Fixe o flange de aperto com o parafuso de aperto, rodando no sentido dos ponteiros do relógio. Com uma mão, mantenha o botão de bloqueio do veio premido.
10. Verifique se a lâmina de serra está firme e correctamente apertada antes da primeira utilização.

5.3 Ajustar a profundidade de corte

1. Retire a ficha de rede da tomada.
2. Solte a alavanca de aperto da regulação da profundidade de corte.
3. Levante a serra circular num movimento tipo tesoura e ajuste a profundidade de corte.
 - ▶ A profundidade de corte é apresentada na escala da profundidade de corte.



Para uma aresta de corte mais limpa, a profundidade de corte deve corresponder à espessura do material mais 2 mm.

4. Fixe a alavanca de aperto para a regulação da profundidade de corte.

5.4 Ajustar o ângulo de corte

1. Retire a ficha de rede da tomada.
2. Solte a alavanca de aperto da regulação do ângulo de corte.



3. Rebaixe a placa base até ao ângulo de corte pretendido.
 - ↳ O ângulo de corte é apresentado na escala do ângulo de corte.
4. Aperte bem a alavanca de aperto da regulação do ângulo de corte.

5.5 Indicador de traçar

Na parte dianteira da placa base da serra circular encontra-se um indicador de traçar (0° e 45°), tanto para cortes a direito como para cortes enviesados. Com o qual é possível efectuar um corte preciso, consoante o ângulo de corte seleccionado. A aresta do traçado corresponde à face interior da lâmina de serra. Um indicador de traçar adicional encontra-se no recorte anterior para a lâmina de serra.

5.5.1 Serrar pelo traçado



Fixe a peça a cortar para que não deslize.

Coloque a peça a cortar de modo que a lâmina de serra se possa mover livremente por baixo da peça a cortar.

Assegure-se de que o interruptor on/off no produto está desligado.

Coloque a serra circular com a placa base sobre a peça a cortar de modo a que a lâmina de serra ainda não toque na peça a cortar.

1. Ligue a serra circular.
2. Conduza a serra circular com uma velocidade de trabalho adequada ao longo do traçado da peça a cortar.

5.6 Serrar com encosto paralelo

O encosto paralelo de um braço permite executar cortes precisos ao longo de uma aresta da peça a cortar ou o corte de régua com as mesmas dimensões. O encosto paralelo pode ser montado de ambos os lados da placa base.

O encosto paralelo de dois braços só é utilizável com a placa base grande.

Garanta a orientação correcta ao montar o encosto paralelo.

5.7 Serrar com trilho-guia.

A utilização do trilho-guia ao serrar pode reduzir a ocorrência de um contragolpe.

5.7.1 Encaixar/retirar a serra circular no adaptador para trilho-guia



Ao serrar com placa base pequena, utilize um adaptador para trilho-guia adequado ao trilho-guia.

1. Retire um encosto paralelo eventualmente montado.
2. Insira a placa base nas nervuras de retenção traseiras do adaptador para trilho-guia.
3. Insira a placa base à frente, por completo, no adaptador para trilho-guia. A placa base deve encaixar completamente na nervura de retenção dianteira.
4. Para retirar, puxe a nervura de retenção dianteira ligeiramente para a frente e retire a serra circular do adaptador para trilho-guia.

5.7.2 Cortes longitudinais com ângulo de 0°

- ▶ Coloque a serra circular com a marcação da ranhura "0°" sobre a nervura do trilho-guia.

5.7.3 Cortes longitudinais com ângulos até 50°

CUIDADO

Perigo de danos Ao aplicar a serra na ranhura errada, ocorre uma colisão da lâmina de serra e do trilho-guia.

- ▶ Aplique a serra na ranhura certa.

- ▶ Coloque a serra com a marcação da ranhura "1°-50°" sobre a nervura do trilho-guia.

5.7.4 Serrar com trilho-guia

1. Fixe o trilho-guia a partir de baixo, com os dois sargentos.



2. Coloque a serra circular na zona de colocação do trilho-guia. Para cortes longitudinais, com ângulos de corte de 20°- 50°, abra o resguardo basculante de forma manual.



A serra circular deve ser colocada sobre o trilho-guia atrás da peça a trabalhar. Certifique-se de que a lâmina de serra não está encostada à peça a trabalhar.

3. Ligue a serra circular.
4. Empurre uniformemente a serra circular sobre a peça a trabalhar.
 - ↳ O resguardo basculante abre-se para ângulos de corte inferiores a 20°, ao entrar em contacto com o bordo de desengate lateral.
 - ↳ Ele volta a fechar-se ao sair na extremidade do trilho-guia.

5.8 Serrar com e sem sistema de aspiração das aparas

A serra circular está equipada com um bocal dimensionado para tubos de aspiradores usuais com um diâmetro de 27 mm. Para ligar o tubo flexível do aspirador à serra circular, poderá ser necessário um adaptador adequado.

Utilize, sempre que possível um removedor de pó móvel adequado para madeira ou madeira e minerais.

Se trabalhar sem um sistema de aspiração das aparas, seleccione a direcção de expulsão, rodando, de forma a que as aparas sejam afastadas de si.



Utilize sempre uma máscara de protecção respiratória da classe de filtro P2 e garanta sempre uma ventilação suficiente, de forma a manter uma carga de pó reduzida.

6 Conservação e manutenção

6.1 Conservação e manutenção



AVISO

Perigo devido a choque eléctrico! A conservação e manutenção com a ficha de ligação inserida pode originar ferimentos graves e queimaduras.

- ▶ Retirar sempre a ficha de ligação antes de todos os trabalhos de conservação e manutenção!

Conservação

- Remover sujidade aderente com cuidado.
- Limpe as saídas de ar cuidadosamente com uma escova seca.
- Limpar a carcaça apenas com um pano ligeiramente humedecido. Não utilizar produtos de conservação que contenham silicone, uma vez que estes poderiam danificar os componentes de plástico.

Manutenção



AVISO

Perigo devido a choque eléctrico! Reparações incorrectas em peças eléctricas podem causar ferimentos e queimaduras graves.

- ▶ As reparações na parte eléctrica apenas podem ser executadas por um electricista especializado.
- Verificar, regularmente, todos os componentes visíveis quanto a danos e os comandos operativos quanto a funcionamento perfeito.
- Em caso de danos e/ou perturbações de funcionamento, não operar o produto. Mandar reparar de imediato pelo Centro de Assistência Técnica **Hilti**.
- Após os trabalhos de conservação e manutenção, aplicar todos os dispositivos de protecção e verificar o respectivo funcionamento.



Para um funcionamento seguro, utilize apenas peças sobresselentes e consumíveis originais. Poderá encontrar peças sobresselentes, consumíveis e acessórios aprovados por nós para o seu produto no seu **Hilti Store** ou em: **www.hilti.group**.

6.2 Verificação do aparelho após manutenção



Verifique após o trabalho de conservação e manutenção se todos os dispositivos de protecção estão encaixados e se funcionam em perfeitas condições.



- ▶ Para verificação do resguardo de disco pendular, abra-o totalmente accionando a alavanca de comando.
 - ↳ Depois de soltar a alavanca de comando, o resguardo de disco pendular deve fechar rápida e totalmente.

6.3 Limpeza do canal das aparas



Se necessário, deverá desmontar a lâmina de serra durante a limpeza.

1. Retire a ficha de rede da tomada.
2. Desmonte a lâmina de serra. → Página 31
3. Limpe o canal das aparas.
4. Monte a lâmina de serra. → Página 31
5. Verifique se as partes móveis do aparelho funcionam perfeitamente e não emperram, se há peças quebradas ou danificadas, que possam influenciar o funcionamento do aparelho.

6.4 Limpeza dos dispositivos de protecção

1. Desmonte a lâmina de serra. → Página 31
2. Limpe os dispositivos de protecção cuidadosamente com uma escova seca.
3. Remova com uma ferramenta adequada depósitos e aparas no interior dos dispositivos de protecção.
4. Monte a lâmina de serra. → Página 31

7 Localização de avarias

Avaria	Causa possível	Solução
Frac performance da ferramenta.	Extensão de cabo demasiado comprida e/ou com secção inadequada.	▶ Utilize uma extensão de cabo com comprimento permitido e/ou com secção suficiente.
	A tensão fornecida pela rede de alimentação é demasiado baixa.	▶ Ligue a ferramenta a uma outra fonte de alimentação.
A ferramenta não funciona.	Alimentação eléctrica interrompida.	▶ Insira outra ferramenta eléctrica e verifique o funcionamento.
	Cabo de rede ou ficha com defeito.	▶ Mandar verificar e, se necessário, substituir o cabo de alimentação ou a ficha por um electricista especializado do Centro de Assistência Técnica Hilti .
	Interruptor on/off avariado.	▶ Mandar reparar o produto no Centro de Assistência Técnica Hilti .
	Escovas de carvão gastas.	▶ Mandar reparar o produto no Centro de Assistência Técnica Hilti .
Sem potência de sucção ou potência de sucção reduzida	Canal das aparas obstruído.	▶ Limpe o canal das aparas. → Página 34
O resguardo basculante não fecha.	Dispositivo de protecção obstruído.	▶ Limpe o dispositivo de protecção. → Página 34
A ferramenta vibra mais do que o habitual.	Lâmina de serra mal montada.	▶ Desmonte a lâmina de serra e volte a montá-la correctamente.

8 Reciclagem

As ferramentas **Hilti** são, em grande parte, fabricadas com materiais recicláveis. Um pré-requisito para a reciclagem é que esses materiais sejam devidamente separados. Em muitos países, a **Hilti** aceita a sua ferramenta usada para reutilização. Para mais informações dirija-se ao Serviço de Clientes **Hilti** ou ao seu vendedor.





-
- ▶ Não deite as ferramentas eléctricas, aparelhos electrónicos e baterias no lixo doméstico!
-

9 RoHS (directiva relativa à limitação de utilização de substâncias perigosas)

Na seguinte hiperligação encontra a tabela Substâncias perigosas: qr.hilti.com/r2937786.

Na parte final desta documentação encontra sob a forma de código QR uma hiperligação para a tabela RoHS.

10 Garantia do fabricante

- ▶ Em caso de dúvidas quanto às condições de garantia, contacte o seu parceiro **Hilti** local.



1.1 حول هذا المستند

- اقرأ هذه المستندات بالكامل قبل التشغيل. يعتبر هذا شرطا للعمل بشكل آمن والاستخدام بدون اختلالات.
- تراعى إرشادات الأمان والإرشادات التحذيرية الواردة في هذا المستند وعلى الجهاز.
- احتفظ بدليل الاستعمال دائما مع المنتج، ولا تعطي الجهاز لآخرين إلا مرفقا بهذا الدليل.

2.1 شرح العلامات

1.2.1 إرشادات تحذيرية

تنبه الإرشادات التحذيرية إلى الأخطار الناشئة عند التعامل مع الجهاز. يتم استخدام الكلمات الدلالية التالية:



خطر!

تشير لخطر مباشر يؤدي لإصابات جسدية خطيرة أو إلى الوفاة.



تحذير!

تشير لخطر محتمل قد يؤدي لإصابات جسدية خطيرة أو إلى الوفاة.



احترس!

تشير لموقف خطر محتمل يمكن أن يؤدي لإصابات جسدية خفيفة أو أضرار مادية.

2.2.1 الرموز في المستند

يتم استخدام الرموز التالية في هذا المستند:

قبل الاستخدام اقرأ دليل الاستعمال	
إرشادات الاستخدام ومعلومات أخرى مفيدة	
التعامل مع مواد قابلة لإعادة التدوير	
لا تتخلص من الأجهزة الكهربائية البطاريات ضمن القمامة المنزلية	

3.2.1 الرموز في الصور

تستخدم الرموز التالية في الرسوم التوضيحية:

تشير هذه الأعداد إلى الصور المعنية بمطلع هذا الدليل	
ترقيم الصور يمثل ترتيب خطوات العمل في الصور، وقد يختلف عن ترقيم خطوات العمل في النص	3
يتم استخدام أرقام المواضع في صورة العرض العام وهي تشير إلى أرقام تعليق الصورة في فصل عرض عام للمنتج	
ينبغي أن تسترعي هذه العلامة اهتماما خاصا عند التعامل مع المنتج.	

3.1 الرموز المرتبطة بالمنتج

1.3.1 الرموز على المنتج

يمكن استخدام الرموز التالية على المنتج:



نقل البيانات لاسلكيا	
عدد اللغات الاسمي في الوضع المعايير	n ₀
فئة الحماية II (عزل مزدوج)	
نصل المنشار	

4.1 معلومات المنتج

منتجات **Hilti** مصممة للمستخدمين المحترفين ويقتصر استعمالها وصيانتها وإصلاحها على الأشخاص المعتمدين والمدربين جيدا. هؤلاء الأشخاص يجب أن يكونوا قد تلقوا تدريباً خاصاً على الأخطار الطارئة. قد يتسبب الجهاز وأدواته المساعدة في حدوث أخطار إذا تم التعامل معها بشكل غير سليم فنياً من قبل أشخاص غير مدربين أو تم استخدامها بشكل غير مطابق للتعليمات. يوجد مسمى الطراز والرقم المسلسل على لوحة الصنع.

انقل الرقم المسلسل في الجدول التالي. ستحتاج إلى بيانات المنتج في حالة الاستفسارات الموجهة إلى ممثلينا أو مركز الخدمة.

بيانات المنتج

المنشار الدائري	SC 55W
الجيل	01
الرقم المسلسل	

5.1 بيان المطابقة

نقر على مسئوليتنا الفردية بأن المنتج المشروع هنا متوافقة مع التشريعات والمواصفات المعمول بها. تجد صورة لبيان المطابقة في نهاية هذا المستند.

المستندات الفنية محفوظة هنا:

Hilti Entwicklungsgesellschaft mbH | Zulassung Geräte | Hiltistraße 6 | 86916 Kaufering, DE

2 السلامة

1.2 إرشادات السلامة العامة المتعلقة بالأدوات الكهربائية

⚠ تحذير احرص على قراءة جميع إرشادات السلامة، التوجيهات، الصور التوضيحية والمواصفات الفنية المرفقة مع هذه الأداة الكهربائية. أي تقصير أو إهمال في الالتزام بالتعليمات التالية قد يتسبب في حدوث صعق كهربائي، نشوب حريق و/أو وقوع إصابات خطيرة.

احتفظ بجميع مستندات إرشادات السلامة والتعليمات لاستخدامها عند الحاجة إليها فيما بعد.

يقصد بمصطلح «الأداة الكهربائية» المذكور في إرشادات السلامة الأدوات الكهربائية المشغلة بالكهرباء (باستخدام كابل الكهرباء) أو الأدوات الكهربائية المشغلة بالبطاريات (بدون كابل الكهرباء).

سلامة مكان العمل

حافظ على نطاق عملك نظيفاً ومضاءً بشكل جيد. الفوضى أو أماكن العمل غير المضاءة يمكن أن تؤدي لوقوع حوادث.

لا تعمل بالأداة الكهربائية في محيط معرض لخطر الانفجار يتواجد به سوائل أو غازات أو أنواع غبار قابلة للاشتعال. الأدوات الكهربائية تولد شرراً يمكن أن يؤدي لإشعال الغبار والأبخرة.

احرص على إبعاد الأطفال والأشخاص الآخرين أثناء استخدام الأداة الكهربائية. في حالة انصراف انتباهك قد تفقد السيطرة على الجهاز.

السلامة الكهربائية

يجب أن يكون قابس توصيل الأداة الكهربائية متلائماً مع المقبس. لا يجوز تعديل القابس بأي حال من الأحوال. لا تستخدم قوايس مهايأة مع أدوات كهربائية ذات وصلة أرضي محمية. القوايس غير المعدلة والمقابس الملائمة تقلل من خطر حدوث صدمة كهربائية.

تجنب حدوث تلامس للجسم مع أسطح مؤرضة مثل الأسطح الفاصلة بالمواسير وأجهزة التدفئة والمواقد والثلاجات. ينشأ خطر متزايد من حدوث صدمة كهربائية عندما يكون جسمك متصلاً بالأرض.



- ◀ أبعد الأدوات الكهربائية عن الأمطار أو البلب. تسرب الماء إلى داخل الأداة الكهربائية يزيد من خطر حدوث صدمة كهربائية.
- ◀ لا تستخدم كابل التوصيل لحمل الأداة الكهربائية أو تعليقها أو لسحب القابس من المقبس. احتفظ بكابل التوصيل بعيدا عن السخونة والزيت والمواف الحادة والأجزاء المتحركة. كابلات التوصيل التالفة أو المتشابكة تزيد من خطر حدوث صقع كهربائي.
- ◀ عندما تعمل بأداة كهربائية في مكان مكشوف، فلا تستخدم سوى كابلات الإطالة المناسبة للعمل في النطاق الخارجي. استخدام كابل إطالة مناسب للعمل في النطاق الخارجي يقلل من خطر حدوث صقع كهربائي.
- ◀ إذا تعذر تجنب تشغيل الأداة الكهربائية في محيط رطب، فاستخدم مفتاح حماية من تسرب التيار. استخدام مفتاح الحماية من تسرب التيار يقلل خطر حدوث صدمة كهربائية.

سلامة الأشخاص

- ◀ كن يقظا وانتبه لما تفعل وتعامل مع الأداة الكهربائية بتعقل عند العمل بها. لا تستخدم الأداة الكهربائية عندما تكون متعبا أو تحت تأثير المخدرات أو الكحوليات أو العقاقير. فقد يتسبب عدم الانتباه للحظة واحدة أثناء الاستخدام في حدوث إصابات بالغة.
- ◀ ارتد تجهيزات وقاية شخصية وارتد دائما نظارة واقية، ارتداء تجهيزات وقاية شخصية، مثل قناع الوقاية من الغبار وأحذية الأمان المضادة للانزلاق وخوذة الوقاية أو واقى السمع، تبعا لنوع واستخدام الأداة الكهربائية، يقلل من خطر الإصابات.
- ◀ تجنب التشغيل بشكل غير مقصود. تأكد أن الأداة الكهربائية مطفأة قبل توصيلها بالكهرباء و/أو بالبطارية وقبل رفعها أو حملها. إذا كان إصبعك على المفتاح عند حمل الأداة الكهربائية أو كان الجهاز في وضع التشغيل عند التوصيل بالكهرباء، فقد يؤدي ذلك لوقوع حوادث.
- ◀ أبعد أدوات الضبط أو مفاتيح ربط البراغي قبل تشغيل الأداة الكهربائية. الأداة أو المفتاح المتواجد في جزء دوار من الجهاز يمكن أن يؤدي لحدوث إصابات.
- ◀ تجنب اتخاذ وضع غير طبيعي للجسم. احرص على أن تكون واقفا بأمان وحافظ على توازنك في جميع الأوقات. من خلال ذلك تستطيع السيطرة على الأداة الكهربائية بشكل أفضل في المواقف المفاجئة.
- ◀ ارتد ملابس مناسبة. لا ترتد ملابس فضفاضة أو حلي. احرص على أن يكون الشعر والملابس والقفازات بعيدة عن الأجزاء المتحركة. الملابس الفضفاضة أو الحلي أو الشعر الطويل يمكن أن تشبك في الأجزاء المتحركة.
- ◀ إذا أمكن تركيب تجهيزات شطف وتجميع الغبار، فتأكد أنها موصلة ومستخدمة بشكل سليم. استخدام تجهيزة شطف الغبار يمكن أن يقلل الأخطار الناتجة عن الغبار.
- ◀ لا تعتقد بأنك في مأمن عن الخطر ولا تتجاهل تشريعات السلامة المعنية للأدوات الكهربائية، حتى وإن كنت على دراية بالأداة الكهربائية بعد تكرار استخدامها. التعامل مع الجهاز بدون حذر قد يؤدي إلى وقوع إصابات بالغة في جزء من الثانية.

استخدام الأداة الكهربائية والتعامل معها

- ◀ لا تفرط في التحميل على الجهاز. استخدم الأداة الكهربائية المناسبة للعمل الذي تقوم به. استخدام الأداة الكهربائية المناسبة يتيح لك العمل بشكل أفضل وأكثر أمانا في نطاق العمل المقرر.
- ◀ لا تستخدم أداة كهربائية ذات مفتاح تالف. الأداة الكهربائية التي لم يعد يمكن تشغيلها أو إطفائها تمثل خطورة ويجب إصلاحها.
- ◀ اسحب القابس من المقبس و/أو اخلع البطارية القابلة للخلع من الجهاز قبل إجراء عمليات الضبط، أو استبدال أجزاء الملحقات أو عند ترك الجهاز. هذا الإجراء الوقائي يمنع بدء تشغيل الأداة الكهربائية دون قصد.
- ◀ احتفظ بالأدوات الكهربائية غير المستخدمة بعيدا عن متناول الأطفال. لا تسمح باستخدام الجهاز من قبل أشخاص ليسوا على دراية به أو لم يقرأوا هذه التعليمات. الأدوات الكهربائية خطيرة في حالة استخدامها من قبل أشخاص ليست لديهم الخبرة الواجبة.
- ◀ اعتني جيدا بالأدوات الكهربائية والملحقات. افحص الأجزاء المتحركة من حيث أداؤها لوظيفتها بدون مشاكل وعدم انحصارها وافحصها من حيث وجود أجزاء مكسورة أو متعرضة للضرر يمكن أن تؤثر سلبا على وظيفة الأداة الكهربائية. اعمل على إصلاح الأجزاء التالفة قبل استخدام الجهاز. الكثير من الحوادث مصدرها الأدوات الكهربائية التي تم صيانتها بشكل رديء.
- ◀ حافظ على أدوات القطع حادة ونظيفة. تتميز أدوات القطع ذات حواف القطع المادة المعتنى بها بدقة بأنها أقل عرضة للتعثر وأسهل في التعامل.



- ◀ استخدم الأداة الكبريائية والملحقات وأدوات العمل وخلافه طبقاً لهذه التعليمات. احرص في هذه الأثناء على مراعاة اشتراطات العمل والمهمة المراد تنفيذها. استخدام الأدوات الكبريائية في تطبيقات غير تلك المقررة لها يمكن أن يؤدي لمواقف خطيرة.
 - ◀ حافظ على المقابض ومواضع المسك في حالة جافة ونظيفة وخالية من الزيت والشحم. المقابض ومواضع المسك الانزلاقية تحول دون استعمال الأداة الكبريائية والتحكم بها بشكل آمن في المواقف غير المتوقعة.
- الخدمة**
- ◀ اعمل على إصلاح أداتك الكبريائية على أيدي فنيين معتمدين فقط والاقصر على استخدام قطع الغيار الأصلية. وبذلك تتأكد أن سلامة الأداة الكبريائية تظل قائمة.

2.2 إرشادات السلامة لجميع المناشير

عمليات النشر

- ◀ **⚠ خطر:** لا تدخل يديك في نطاق النشر ولا تلامس شفرة المنشار. أمسك المقبض الإضافي أو جسم المحرك بيدك الثانية. عندما تُمسك المنشار بيديك لا يمكن لشفرة المنشار أن تصيبهما بجرّوح.
 - ◀ لا تضع يدك تحت قطعة الشغل. فالغطاء الواقي لا يمكن أن يحميك من شفرة المنشار أسفل قطعة الشغل.
 - ◀ قم بمواءمة عمق القطع مع سُمك قطعة الشغل. ويجب ألا يظهر من الشفرة أسفل قطعة الشغل إلا جزء أقل من الارتفاع الكامل للسنون.
 - ◀ لا تمسك قطعة الشغل التي تريد قطعها بالمنشار أبداً باليد أو تضعها فوق ساك. وقم بتثبيت قطعة الشغل على قاعدة ثابتة. ومن المهم تثبيت قطعة الشغل جيداً للحد من خطر ملامسة أجزاء الجسم أو انحصار شفرة المنشار أو فقدان السيطرة عليها.
 - ◀ أمسك الأداة الكبريائية فقط من مواضع المسك المعزولة عند إجراء أعمال يحتمل فيها أن تتلامس أداة الشغل مع أسلاك كبريائية مخفية أو مع سلك الكبرياء للجهاز ذاته. حيث إن ملامسة سلك يسري فيه التيار الكبريائي من شأنه أيضاً أن ينقل الجهد الكبريائي للأجزاء المعدنية بالأداة الكبريائية ويؤدي لحدوث صدمة كبريائية.
 - ◀ عند القطع الطولي استخدم دائماً مصدراً أو مجرى دليلاً مستقيماً للحواف. ومن شأن ذلك تحسين دقة القطع وتقليل احتمالية انحصار شفرة المنشار.
 - ◀ استخدم دائماً شفرات منشار بالمقاس الصحيح وبتجويّف تركيب مناسب (على شكل نجمة أو مستدير مثلاً). فشفرات المنشار التي لا تتناسب مع أجزاء التركيب بالمنشار تدور بدون انتظام وتؤدي إلى فقدان السيطرة على الجهاز.
 - ◀ لا تستخدم أبداً وردات أو براغي متضررة أو غير مناسبة لشفرات المنشار. فهناك وردات وبرايي لشفرات المنشار صُممت خصيصاً لمشارك لضمان القدرة والسلامة التشغيلية المثالية.
- الحركة الارتدادية - الأسباب وإرشادات السلامة المعنية**
- الارتداد عبارة عن رد فعل مفاجئ نتيجة لشفرة منشار عالقة أو محشورة أو موجهة بشكل غير صحيح، وهو ما يؤدي إلى ارتفاع المنشار بشكل منفلت وتحركه بعيداً عن قطعة الشغل باتجاه المستخدم.
 - عندما تنحصر شفرة المنشار أو تعلق في شق النشر المغلق، فإنها تتعرض للإعاقة، وعندئذٍ تدفع قوة المحرك المنشار في اتجاه المستخدم،
 - في حالة التواء شفرة المنشار أثناء عملية القطع أو في حالة توجيهها بشكل غير صحيح، فمن الممكن أن تعلق أسنان الحافة الخلفية لشفرة المنشار في سطح قطعة الشغل، وهو ما يتسبب في خروج شفرة المنشار من شق النشر وارتداد المنشار باتجاه المستخدم.
- يحدث ارتداد الجهاز نتيجة للاستخدام الخاطئ للمنشار. ويمكن تفادي حدوثه من خلال اتخاذ الإجراءات الوقائية المناسبة كما هو مشروع فيما يلي.
- ◀ أمسك المنشار جيداً بكلتا اليدين وبحيث يكون ذراعاك في وضع يمكنك من امتصاص قوى الارتداد.
 - ◀ قف دائماً في وضع جانبي لشفرة المنشار، ولا تجعل شفرة المنشار على خط واحد أبداً مع جسمك. في حالة حدوث ارتداد يمكن أن يرتد المنشار الدائري للخلف، غير أن المستخدم يمكنه السيطرة على قوى الارتداد من خلال اتخاذ إجراءات الوقاية المناسبة.
 - ◀ إذا تعرضت شفرة المنشار للانحصار أو توقفت عن العمل، فأوقف المنشار واحتفظ به في قطعة الشغل في وضع متزن، إلى أن تتوقف شفرة المنشار تماماً. لا تحاول أبداً نزع المنشار من قطعة الشغل أو سحبه للخلف طالما كانت شفرة المنشار تتحرك، وإلا فقد يحدث ارتداد. حدد سبب انحصار شفرة المنشار وتغلب عليه.



- ◀ إذا أردت إعادة تشغيل منشار وهو داخل قطعة الشغل، فقم بمركرة شفرة المنشار في شق النشر وتحقق من أن أسنان المنشار ليست عالقة في قطعة الشغل. وإذا كانت شفرة المنشار عالقة، فمن الممكن أن تتحرك خارج قطعة الشغل أو تتسبب في حدوث ارتداد عند تشغيل المنشار مجدداً.
- ◀ قم بتدعيم الألواح العريضة لتفادي خطر حدوث ارتداد بفعل شفرة المنشار العالقة. فالألواح العريضة يمكن أن تنتهي بفعل وزنها الذاتي. ويجب تدعيم الألواح من الجانبين، سواء بالقرب من شق القطع أو عند الحافة.
- ◀ لا تستخدم شفرات منشار ثلثة أو متضصرة. فشفرات المنشار ذات الأسنان الثلثة أو المتمازية بشكل غير صحيح تتسبب في زيادة الاحتكاك وانحصار شفرة المنشار وحدوث الارتداد، وذلك بفعل ضيق شق النشر.
- ◀ تحقق من أوضاع ضبط عمق القطع وزاوية القطع قبل البدء في القطع بالمنشار. ففي حالة تغيير أوضاع الضبط أثناء القطع بالمنشار يمكن أن تتعرض شفرة المنشار للانحصار ويحدث ارتداد.
- ◀ احرص على توخي الحذر الشديد عند القطع بالمنشار في الجدران القائمة أو النطاقات الأخرى الكامنة. فشفرة المنشار المتوغلة في السطح يمكن أن تصطدم بأشياء مخفية أثناء القطع وتتسبب في حدوث ارتداد.

وظيفة الغطاء الواقي السفلي

- ◀ تحقق قبل كل استخدام من انغلاق الغطاء الواقي السفلي بشكل سليم. لا تستخدم المنشار ما لم يكن الغطاء الواقي السفلي حر الحركة أو إذا لم ينغلق على الفور. لا تقم برنق أو تثبيت الغطاء الواقي السفلي أبداً في وضع مفتوح. ففي حالة سقوط المنشار سهواً على الأرض، قد ينثني الغطاء الواقي السفلي. افتح الغطاء الواقي من ذراع السحب للخلف وتحقق من حرية حركة الغطاء، ولا تلمس شفرة المنشار أو الأجزاء الأخرى أيًا كانت زاوية القطع أو عمقها.
- ◀ تحقق من الأداء الوظيفي لنوابض الغطاء الواقي السفلي. واعمل على صيانة المنشار قبل الاستخدام إذا لم يكن الغطاء الواقي السفلي والنوابض تعمل بشكل سليم. ويراعى أن الأجزاء المتضصرة والرواسب الملتصقة أو تراكمات البرادة تؤدي إلى تباطؤ عمل الغطاء الواقي السفلي.
- ◀ افتح الغطاء الواقي السفلي بيدك مع عمليات القطع الاستثنائية فقط، مثل "عمليات القطع الغائرة والمائلة". افتح الغطاء الواقي السفلي من ذراع السحب للخلف ثم اترك الذراع بمجرد انغراس شفرة المنشار في قطعة الشغل. مع جميع أعمال القطع الأخرى بالمنشار ينبغي أن يعمل الغطاء الواقي السفلي أوتوماتيكياً.
- ◀ لا تضع المنشار على طاولة العمل أو على الأرض دون أن تكون شفرة المنشار مغطاة بالغطاء الواقي السفلي. فالدوران اللاحق لشفرة المنشار غير المغطاة يعمل على تمريك المنشار عكس اتجاه القطع، مما يجعله يقطع ما يقابله. ويراعى في ذلك فترة الدوران اللاحق للمنشار.

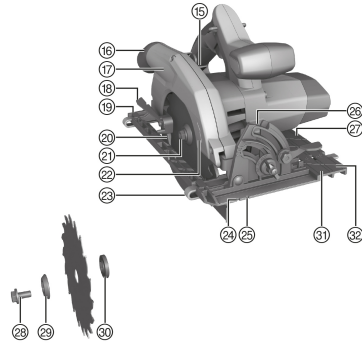
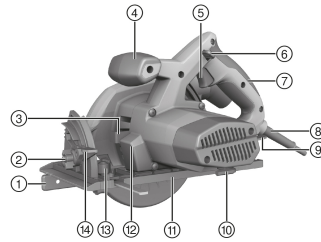
3.2 إرشادات إضافية للسلامة خاصة بالمناشير الدائرية

- ◀ اضغط المنشار اليدوي الدائري على قطعة الشغل وهو مشغل فقط.
 - ⇒ يجب أن يكون مسار القطع من أعلى وأسفل خالياً من أية عوائق. لا تقطع بالمنشار براغي، مسامير أو ما شابه.
- ◀ لا تعمل أبداً بمنشار دائري فوق مستوى الرأس.
- ◀ لا تقم أبداً بكبح شفرة المنشار من خلال الضغط عليها من الجانب.
- ◀ تجنب وصول رؤوس أسنان المنشار إلى درجات حرارة مفرطة.
- ◀ أثناء نشر الخامات البلاستيكية يجب تجنب انحصار البلاستيك.
- ◀ استخدام دائماً شفرة منشار مناسبة لقطع موضع الشغل.
- ◀ اقتصِر على استخدام شفرات المناشير الموصى بها من Hilti، والتي تطابق المواصفة EN 847-1.



1.3 نظرة عامة على المنتج 1

- 1 مصد قطع متوازي أحادي الذراع
- 2 الضبط الأولي لزاوية القطع
- 3 زر تثبيت البريمة
- 4 المقبض الإضافي
- 5 مفتاح التشغيل/الإيقاف
- 6 مانع التشغيل
- 7 المقبض
- 8 كابل الكهرباء
- 9 ذراع زنق لضبط عمق القطع
- 10 مفتاح سداسي الرأس
- 11 قاعدة ارتكاز صغيرة
- 12 لمبة LED
- 13 ذراع زنق لمصد القطع المتوازي أماما
- 14 ذراع زنق لوضع زاوية القطع
- 15 تدريج عمق القطع
- 16 فوهة التوصيل (شفاط الغبار)
- 17 غطاء واقئ
- 18 ذراع استعمال الغطاء الواقئ المتحرك
- 19 ذراع زنق لمصد القطع المتوازي خلفا (يسري)
- 20 على قاعدة الارتكاز الكبيرة فقط
- 21 الغطاء الواقئ المتحرك
- 22 بريمة الإدارة
- 23 سهم اتجاه الدوران
- 24 مصد قطع متوازي ثنائي الأذرع
- 25 علامة القطع 0°
- 26 علامة القطع 45°
- 27 تدريج زاوية القطع
- 28 قاعدة الارتكاز الكبيرة
- 29 برغي الشد
- 30 فلانشة الشد
- 31 فلانشة التثبيت
- 32 قاعدة ارتكاز بعلامة حز بزاوية 0°
- 33 قاعدة ارتكاز بعلامة حز بزاوية من 1° - 50°


2.3 عرض عام لمهايئ المجرى الدليلي 2

- | | | | |
|-----------------------|--------------------------------|----------------------|------------------------|
| 35 علامة حز بزاوية 0° | 36 علامة حز بزاوية من 1° - 50° | 38 أطراف تثبيت خلفية | 39 طرف التثبيت الأمامي |
|-----------------------|--------------------------------|----------------------|------------------------|

3.3 الاستخدام المطابق للتعليمات

المنتج الموضح عبارة عن منشار دائري. وهو مخصص لأعمال النشر في الخشب والخامات الشبيهة بالخشب، البلاستيك، ملاط الجبس، ألواح أللياف الجبس والخامات المترابطة، حتى عمق قطع يصل إلى 55 مم، بالإضافة لعمل القطوع المائلة بزاوية 50°.

1.3.3 الاستخدام الخاطئ المحتمل

لا يُسمح باستخدام شفرات المناشير التي لا تطابق بيانات المواصفات الفنية، أسطوانات القطع، أسطوانات التخليج، وكذلك شفرات المناشير المصنوعة من فولاذ القطع السريع عالي السبك (فولاذ HSS). لا يُسمح بنشر المعادن.



المنشار الدائري، نصل المنشار، المفتاح سداسي الرأس المجوف، المصد المتوازي، دليل الاستعمال.



للتشغيل الآمن اقتصر على استخدام قطع الغيار الأصلية وخامات الشغل. تجد قطع الغيار وخامات الشغل والملحقات المصرح بها من قبلنا للمنتج الخاص بك في متجر **Hilti Store** أو على موقع الإنترنت: www.hilti.group

4 المواصفات الفنية
1.4 المواصفات الفنية


يرجى التعرف على الجهد الاسمي والتيار الاسمي والتردد والاستهلاك الاسمي من لوحة صنع الجهاز الخاصة بالبلد المعني.

في حالة التشغيل من مولد أو محمول، فإنه يجب ألا تقل قدرة الخرج الخاصة به عن ضعف قدرة الدخل الاسمية الواردة على لوحة صنع الجهاز. جهد تشغيل المحمول أو المولد يجب أن يكون دائما في نطاق +5 % و 15- % من الجهد الكهربائي الاسمي للجهاز.

الوزن، قاعدة الارتكاز الصغيرة	4.5 كجم
الوزن، قاعدة الارتكاز الكبيرة	4.7 كجم
قطر شفرة المنشار	160 مم ... 165 مم
سُمك الأنصال الفولاذية للمنشار	1.1 مم ... 1.5 مم
تجويف تركيب شفرة المنشار	20 مم
عمق القطع بزاوية 0°	0 مم ... 55 مم
عمق القطع بزاوية 45°	0 مم ... 41 مم
عمق القطع بزاوية 50°	0 مم ... 37 مم
في الوضع الممايد	5,500 لفة/دقيقة

2.4 قيم الضوضاء والاهتزاز طبقا للمواصفة EN 62841

تم قياس ضغط الصوت وقيم الاهتزاز الواردة في هذا الدليل طبقا لأحد معايير القياس الممثلة ويمكن الاستعانة بها في إجراء مقارنة بين الأدوات الكهربائية مع بعضها البعض. وهي مناسبة أيضا لتقدير حجم المخاطر بصورة أولية.

المواصفات الواردة تتعلق بالاستخدامات الأساسية للأداة الكهربائية. أما إذا تم استخدام الأداة الكهربائية في تطبيقات أخرى مع أدوات شغل مخالفة للمواصفات أو دون صيانة كافية، ففي هذه الحالة قد تختلف المواصفات. وقد يزيد هذا من نسبة المخاطر طوال مدة العمل بصورة واضحة.

وللموصول على تقدير دقيق لحجم المخاطر ينبغي أيضا مراعاة الأوقات التي يتم فيها إيقاف الجهاز أو التي يتم فيها تشغيل الجهاز ولكن دون استخدام حقيقي. وقد يقلل هذا من نسبة المخاطر طوال مدة العمل بصورة واضحة. احرص على اتخاذ إجراءات إضافية للسلامة من شأنها حماية المستخدم من تأثير الضجيج وأو الاهتزازات مثل: صيانة الأداة الكهربائية وأدوات الشغل والمفاظ على الأيدي في حالة دافئة وتنظيم مراحل العمل.

معلومات الضجيج

مستوى شدة الصوت (L_{WA})	101 ديسيبل (A)
مستوى ضغط الصوت (L_{pA})	90 ديسيبل (A)
نسبة التفاوت	3 ديسيبل (A)

معلومات الاهتزاز

قيم الاهتزاز ثلاثية المحاور عند النشر في الخشب (a_h)	110 فلط	230 فلط
	2.12 م/ثانية ² (6.96 قدم/ثانية ²)	1.77 م/ثانية ² (5.81 قدم/ثانية ²)
نسبة التفاوت (K)	1.5 م/ثانية ²	1.5 م/ثانية ²



1.5 فك شفرة المنشار 3



خطر الإصابة بحروق خطر من جراء الأداة الساخنة أو فلانشة الشد أو برغي الشد أو حواف نصل المنشار الحادة.
استخدم قفازا واقيا لغرض تغيير الأداة.

1. اسحب القابس الكهربائي من المقبس.
2. أدخل المفتاح سداسي الرأس في برغي تثبيت نصل المنشار.
3. اضغط على زر تثبيت البريمة واحتفظ به مضغوطا.
4. أدر برغي شد نصل المنشار باستخدام المفتاح سداسي الرأس إلى أن يثبت زر تثبيت البريمة تماما.
5. قم بجل برغي الشد باستخدام المفتاح سداسي الرأس المجوف من خلال الإدارة في اتجاه سهم اتجاه الدوران.
6. اخلع برغي الشد وفلانشة الشد الخارجية.
7. افتح الغطاء الواقي المتحرك من خلال تحريكه جانبا ثم اخلع نصل المنشار.

عند الحاجة يمكن خلع فلانشة التثبيت لغرض التنظيف.



2.5 تركيب شفرة المنشار 4



خطر حدوث أضرار أنصال المنشار غير المناسبة أو المركبة بشكل خاطئ يمكن أن تعرض المنشار للضرر.
أقتصر على استخدام أنصال المنشار المناسبة لهذا المنشار. انتبه إلى سهم اتجاه الدوران الموضع على نصل المنشار.
أقتصر على استخدام شفرات المنشار التي يقل عدد لفاتها المسموح به عن الحد الأقصى لعدد اللفات المذكور على الجهاز.

1. اسحب القابس الكهربائي من المقبس.
2. قم بتنظيف فلانشة التثبيت وفلانشة الشد.
3. قم بتركيب فلانشة التثبيت في الاتجاه الصحيح.
4. افتح الغطاء الواقي المتحرك.
5. قم بتركيب نصل المنشار الجديد.
6. قم بتركيب فلانشة الشد الخارجية في الاتجاه الصحيح.
7. أدخل برغي التثبيت.
8. ضع المفتاح سداسي الرأس المجوف على برغي شد نصل المنشار.
9. قم بتثبيت فلانشة الشد مع برغي الشد من خلال الإدارة في اتجاه حركة عقارب الساعة. احتفظ في تلك الأثناء بزر تثبيت البريمة مضغوطا عبر الضغط عليه بيد واحدة.
10. قبل تشغيل الجهاز تحقق من إحكام ربط نصل المنشار ومن وضعه في مكانه الصحيح.

3.5 ضبط عمق القطع 5

1. اسحب القابس الكهربائي من المقبس.
 2. قم بتحريك ذراع الزنق لضبط عمق القطع.
 3. ارفع المنشار الدائري بحركة مقصية الشكل واضبط عمق القطع.
- ⇨ يظهر عمق القطع على تدريج عمق القطع.

لضمان حافة القطع نظيفة، ينبغي أن يتطابق عمق القطع مع سُمك الخامة بزيادة 2 مم.



4. قم بتثبيت ذراع الزنق لضبط عمق القطع.

4.5 ضبط زاوية القطع 6

1. اسحب القابس الكهربائي من المقبس.



2. قم بتحرير ذراع الزنق لضبط زاوية القطع
3. حرّك قاعدة الارتكاز حتى زاوية القطع المرغوبة.
⇨ تظهر زاوية القطع على تدريج زاوية القطع.
4. قم بشد ذراع الزنق الخاص بضبط زاوية القطع جيدا.

5.5 مؤشر التحديد

يشتمل قرص الارتكاز الأمامي للمنشار الدائري على مؤشر تحديد (0° و 45°) يتم استخدامه أثناء عمليات القطع المستقيم والمائل على السواء. وبذلك يمكن ضمان دقة القطع حسب زاوية القطع المختارة. وتتطابق حافة التحديد مع الجهة الداخلية لنصل المنشار. كما يوجد مؤشر تحديد في القطاع الأمامي من نصل المنشار.

1.5.5 النشر تبعاً لعلامات التحديد

i قم بتثبيت قطعة الشغل لليلولة دون تحركها.
قم بوضع قطعة الشغل بحيث تضمن تحرك شفرة المنشار أسفلها دون عائق.
تحقق من إقفال مفتاح التشغيل/الإيقاف بالمنتج.
قم بوضع المنشار الدائري مع قاعدة الارتكاز على قطعة الشغل بحيث لا يحدث تلامس بين شفرة المنشار وقطعة الشغل.

1. قم بتشغيل المنشار الدائري.
2. قم بتحريك المنشار الدائري على قطعة الشغل على طول علامات التحديد بسرعة شغل مناسبة.

6.5 النشر مع استخدام المصد المتوازي

من خلال المصد المتوازي أحادي الذراع يمكن إجراء عمليات قطع دقيقة بطول حافة قطعة الشغل، كما يمكن قطع ألواح متساوية الأبعاد. يمكن تركيب المصد المتوازي على جانبي قرص الارتكاز. يقتصر استخدام المصد المتوازي ثنائي الأذرع على قاعدة الارتكاز الكبيرة فقط. انتبه إلى الاتجاه الصحيح عند تركيب المصد المتوازي.

7.5 النشر مع استخدام المجرى الدليلي.

النشر مع استخدام المجرى الدليلي يمكن أن يحد من حدوث الارتداد.

1.7.5 تركيب/خلع المنشار الدائري في أو من مهايئ المجرى الدليلي

i في حالة النشر على قاعدة ارتكاز صغيرة، قم باستخدام مهايئ المجرى الدليلي، المناسب للمجرى الدليلي.

1. اخلع المصد المتوازي إن كان مركباً.
2. أدخل قاعدة الارتكاز في أطراف التثبيت الخلفية لمهايئ المجرى الدليلي.
3. قم بتركيب قاعدة الارتكاز الأمامية بالكامل في مهايئ المجرى الدليلي. يجب أن تستقر قاعدة الارتكاز على طرف التثبيت الأمامي بالكامل.
4. لغرض الخلع اجذب طرف التثبيت الأمامي برفق إلى الأمام وتناول المنشار الدائري من مهايئ المجرى الدليلي.

2.7.5 عمليات القطع الطولي بزاوية 10°

◀ ضع المنشار الدائري المزود بعلامة الحز بزاوية "0°" على قضيب المجرى الدليلي.

3.7.5 عمليات القطع الطولي بزوايا حتى 50°

⚠ احترس:

خطر حدوث أضرار عند وضع المنشار في الفتحة الخاطئة يحدث اصطدام بين شفرة المنشار والمجرى الدليلي.
◀ ضع المنشار في الفتحة الصحيحة.

◀ ضع المنشار المزود بعلامة الحز بزاوية "1°-50°" على قضيب المجرى الدليلي.



4.7.5 النشر مع استخدام المجرى الدليلي 12

1. قم بتثبيت المجرى الدليلي من أسفل جيداً بقامطتين حلزونيتين.
2. ضع المنشار الدائري في نطاق تركيب المجرى الدليلي. مع عمليات القطع الطولي بزواوية من 20° - 50° قم بفتح الغطاء الواقي يدوياً.

i يجب تركيب المنشار الدائري على المجرى الدليلي خلف قطعة الشغل. يراعى عدم ملامسة نصل المنشار لقطعة الشغل.

3. قم بتشغيل المنشار الدائري.
 4. ادفع المنشار الدائري فوق قطعة الشغل بشكل متساو.
- ⇨ يفتح الغطاء الواقي المتمرك للقطع بزواوية أقل من 20° عند ملامسة حافة الإعتاق الجانبية.
- ⇨ وينغلق مرة أخرى عند الخروج من نهاية المجرى الدليلي.

8.5 النشر مع أو دون شفاط البرادة

المنشار الدائري مزود بفوهة توصيل مصممة لخراطيم الشفاطات الشائعة بقطر يصل إلى 27 مم. لربط خرطوم الشفاط بالمنشار الدائري يلزم وجود مهايئ مناسب.

احرص قدر الإمكان على استخدام مزيل الغبار المحمول المناسب للأخشاب أو الأخشاب والصخور المعدنية.

عند العمل دون شفاط البرادة، اختر اتجاه الطرد المرغوب للبرادة من خلال التدوير، بحيث يتم توجيه البرادة بعيداً عنك.

i استخدم بشكل أساسي كامامة واقية للتنفس بفلتر من الفئة P2 واعمل دائماً بالإضافة إلى ذلك على توفير تهوية كافية لتقليل نسبة التلوث بالغبار.

6 العناية والصيانة

1.6 العناية والصيانة



خطر بسبب حدوث صدمة كهربائية! إجراء أعمال العناية والصيانة بينما القابس الكهربائي مركب قد يتسبب في إصابات بالغة والإصابة بحروق.

← احرص على سحب القابس الكهربائي قبل جميع أعمال الإصلاح والعناية.

العناية

- قم بإزالة الاتساخ الملتصق بمرص.
- قم بتنظيف فتحات التهوية بمرص باستخدام فرشاة جافة.
- نظف جسم الجهاز باستخدام قطعة قماش مبللة بعض الشيء. لا تستخدم مواد عناية تحتوي على السيليكون لما قد تسبب فيه من الإضرار بالأجزاء البلاستيكية.

الصيانة



خطر الصعق الكهربائي! قد تؤدي أعمال الصيانة التي تتم على الأجزاء الكهربائية بشكل غير سليم إلى حدوث إصابات خطيرة وإصابة بحروق.

← لا يجوز إجراء إصلاحات على الأجزاء الكهربائية إلا من خلال متخصصين في الكهرباء.

- افحص جميع الأجزاء المرئية من حيث وجود أضرار وافحص عناصر الاستعمال من حيث كفاءتها الوظيفية.
- في حالة وجود أضرار و/أو اختلالات وظيفية لا تقم بتشغيل المنتج. احرص على الفور على إصلاحه لدى مركز خدمة Hilti.
- بعد أعمال العناية والإصلاح قم بتركيب جميع تجهيزات الحماية وافحصها من حيث الأداء الوظيفي.

i للتشغيل الآمن اقتصِر على استخدام قطع الغيار الأصلية وخامات الشغل. تجد قطع الغيار وخامات الشغل والملحقات المصرح بها من قبلنا للمنتج الخاص بك في متجر Hilti Store أو على موقع الإنترنت: www.hilti.group.



i بعد إجراء أعمال العناية والصيانة افحص ما إذا كانت جميع تجهيزات الحماية مركبة وتؤدي وظيفتها بدون أخطاء.

- ◀ لفحص غطاء الوقاية المتحرك، افتحه بالكامل عن طريق الضغط على ذراع الاستعمال.
- ⇒ بعد ترك ذراع الاستعمال يجب أن ينغلق غطاء الوقاية المتحرك بالكامل وبسرعة.

3.6 تنظيف قناة البرادة

i يجب عليك فك شفرة المنشار أثناء عملية التنظيف إذا لزم الأمر.

1. اسحب القابس الكهربائي من المقبس.
2. قم بفك شفرة المنشار. – صفحة 43
3. قم بتنظيف قناة البرادة.
4. قم بتركيب شفرة المنشار. – صفحة 43
5. افحص الأجزاء المتحركة بالجهاز من حيث أدائها لوظيفتها بدون مشاكل وعدم انحصارها وافحصها من حيث وجود أجزاء مكسورة أو متعرضة للضرر يمكن أن تؤثر سلباً على وظيفة الجهاز.

4.6 تنظيف تجهيزة الحماية

1. قم بفك شفرة المنشار. – صفحة 43
2. قم بتنظيف تجهيزات الحماية بحرص باستخدام فرشاة جافة.
3. أزل الترسبات والبرادة من داخل تجهيزة الحماية باستخدام أداة مناسبة.
4. قم بتركيب شفرة المنشار. – صفحة 43

7 تقصي الأخطاء

الخلل	السبب المحتمل	الحل
الجهاز لا يعمل بكامل قدرته.	كابيل الإطالة طويل للغاية و/أو ذو مقطع عرضي ضئيل للغاية.	استخدم كابيل إطالة ذا طول مسموح به و/أو ذا مقطع عرضي كاف.
الجهاز لا يعمل.	انقطاع الإمداد بالتيار الكهربائي.	الجهد الكهربائي بمصدر الإمداد بالجهد الكهربائي منخفض للغاية. قم بتوصيل الجهاز بمصدر كهرباء آخر.
انعدام أو انخفاض قدرة الشفط.	قناة البرادة مسدودة.	قم بتوصيل جهاز كهربائي آخر وافحص التشغيل.
الغطاء الواقي المتحرك مفتوح.	تجهيزة الحماية مسدودة.	تلف في كابيل الكهرباء أو القابس.
الجهاز يهتز بقوة أكبر من المعتاد.	شفرة المنشار مركبة بشكل خاطئ.	مفتاح التشغيل/الإيقاف به عطل.
		الكاربون متآكل.
		قم بإصلاح المنتج لدى مركز خدمة Hilti.
		قم بإصلاح المنتج لدى مركز خدمة Hilti.
		قم بتنظيف قناة البرادة. – صفحة 46
		قم بتنظيف تجهيزة الحماية. – صفحة 46
		قم بفك شفرة المنشار وركبها مرة أخرى بطريقة صحيحة.



أجهزة Hilti مصنوعة بنسبة كبيرة من مواد قابلة لإعادة التدوير. يشترط لإعادة التدوير أن يتم فصل الغامات بشكل سليم فنيا. في العديد من الدول تقوم شركة Hilti باستغلال الأجهزة القديمة لإعادة تدويرها. وللمعلومات حول ذلك اتصل بخدمة عملاء Hilti أو الموزع القريب منك.

◀ لا تعلق الأدوات الكهربائية، الأجهزة الإلكترونية والبطاريات ضمن القمامة المنزلية!



9 مواصفة RoHS (مواصفة تقييد استخدام المواد الخطيرة)

تجد جدولاً بالمواد الخطرة تمت الرابط التالي: qr.hilti.com/r2937786.
تجد رابط خاص بجدول المواد التي تخص المواصفة RoHS في نهاية هذا المستند على هيئة كود QR.

10 ضمان الجبة الصانعة

◀ في حالة وجود أية استفسارات بخصوص شروط الضمان، يرجى التوجه إلى وكيل Hilti المحلي الذي تتعامل معه.







Hilti Corporation
Feldkircherstraße 100
9494 Schaan | Liechtenstein

SC 55W (01)

[2015]

2006/42/EC
2014/30/EU
2011/65/EU

EN 55014-1 :2017
EN 55014-2:2015

EN 62841-1
EN 62841-2-5

EN 61000-3-2:2019
EN 61000-3-11 :2019

Schaan, 17.06.2020

Paolo Luccini
Head of Quality and Process Management
BA Electric Tools & Accessories

Tassilo Deinzer
Executive Vice President
Business Unit Power Tools & Accessories



SC 55W



Hilti Corporation
LI-9494 Schaan
Tel.:+423 234 21 11
Fax:+423 234 29 65
www.hilti.group



2112860