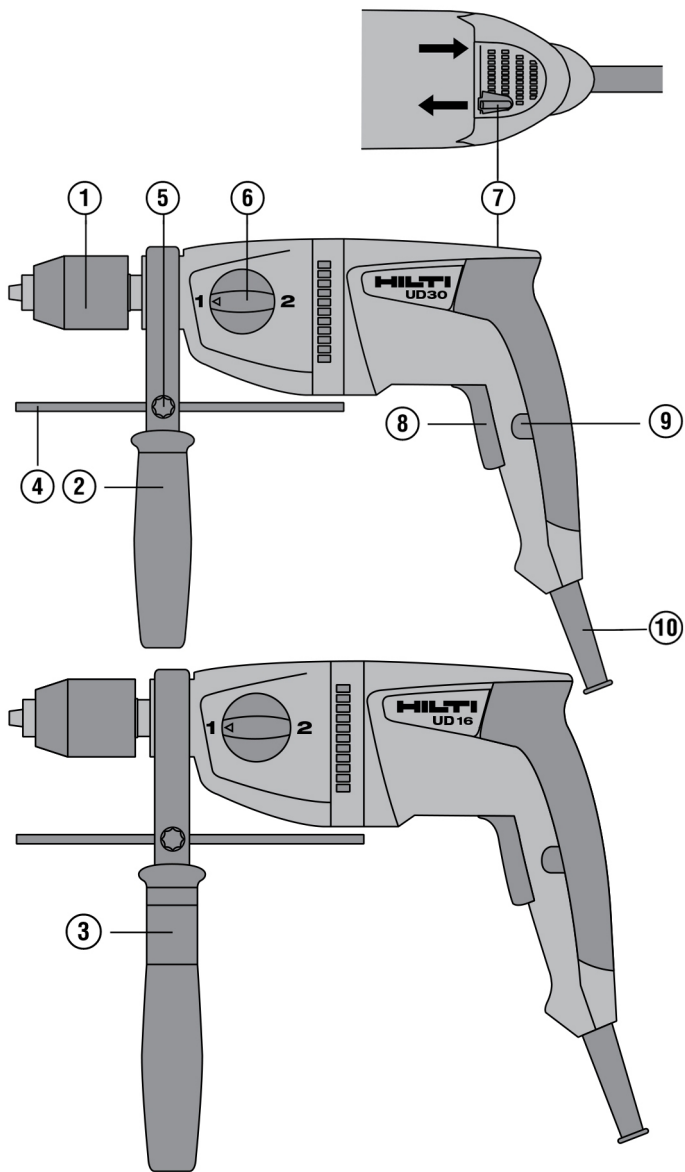


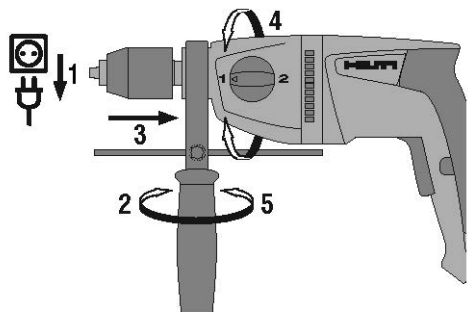


UD 16
UD 30

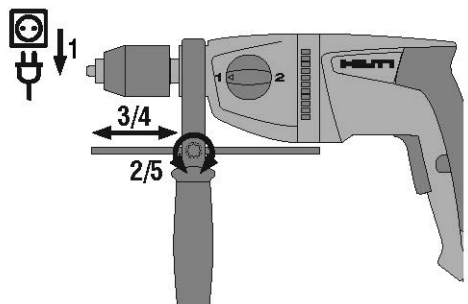
English	1
Français	10
Español	20
Português	30



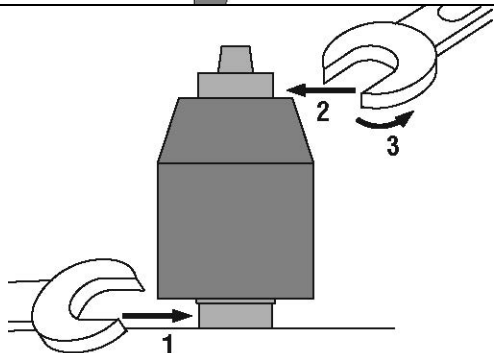
2



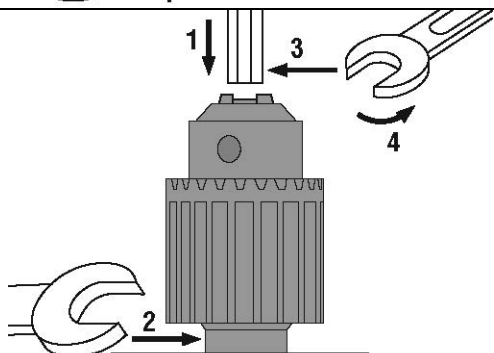
3



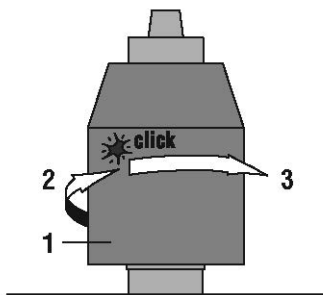
4



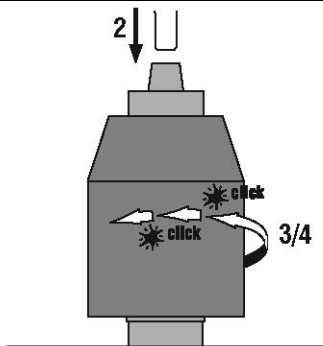
5



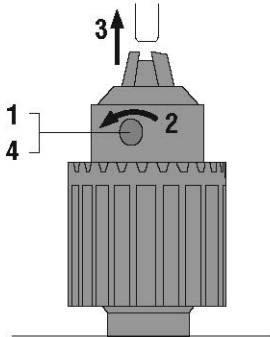
6



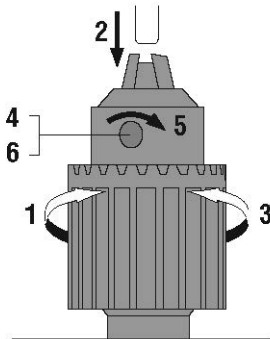
7



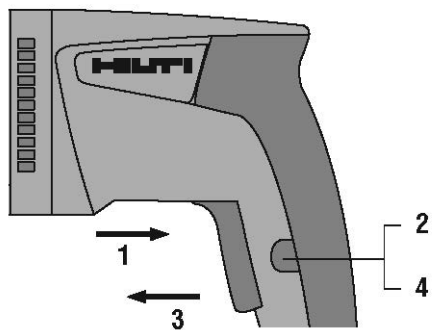
8



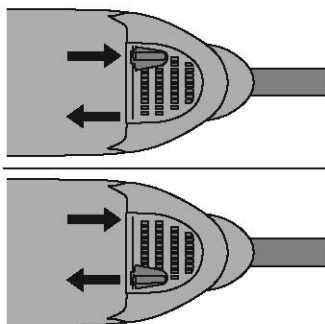
9



10



11



UD 16

UD 30

en	Original operating instructions	1
fr	Mode d'emploi original	10
es	Manual de instrucciones original	20
pt	Manual de instruções original	30

Original operating instructions

1 Information about the documentation

1.1 About this documentation

- Read this documentation before initial operation or use. This is a prerequisite for safe, trouble-free handling and use of the product.
- Observe the safety instructions and warnings in this documentation and on the product.
- Always keep the operating instructions with the product and make sure that the operating instructions are with the product when it is given to other persons.

1.2 Explanation of symbols used

1.2.1 Warnings

Warnings alert persons to hazards that occur when handling or using the product. The following signal words are used:

DANGER

DANGER !

- ▶ Draws attention to imminent danger that will lead to serious personal injury or fatality.

WARNING

WARNING !

- ▶ Draws attention to a potential threat of danger that can lead to serious injury or fatality.





CAUTION

CAUTION !

- ▶ Draws attention to a potentially dangerous situation that could lead to personal injury or damage to the equipment or other property.


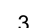


1.2.2 Symbols in the operating instructions

The following symbols are used in these operating instructions:

	Comply with the operating instructions
	Instructions for use and other useful information
	Dealing with recyclable materials
	Do not dispose of electric equipment and batteries as household waste

1.2.3 Symbols in illustrations

The following symbols are used in illustrations:

	These numbers refer to the illustrations at the beginning of these operating instructions.
	The numbering reflects the sequence of operations shown in the illustrations and may deviate from the steps described in the text.
	Item reference numbers are used in the overview illustration and refer to the numbers used in the key in the product overview section.
	These characters are intended to specifically draw your attention to certain points when handling the product.



1.3 Product-dependent symbols

1.3.1 Symbols on the product

The following symbols are used on the product:

1	Drilling, 1st gear
2	Drilling, 2nd gear
→	Forward / reverse
/min	Revolutions per minute
	Wear eye protection
	Wear ear protection
	Wear protective gloves
	Wear light respiratory protection
	Protection class II (double-insulated)

1.4 Product information

products are designed for professional users and only trained, authorized personnel are permitted to operate, service and maintain the products. This personnel must be specifically informed about the possible hazards. The product and its ancillary equipment can present hazards if used incorrectly by untrained personnel or if used not in accordance with the intended use.

The type designation and serial number are printed on the rating plate.

- ▶ Write down the serial number in the table below. You will be required to state the product details when contacting Hilti Service or your local Hilti organization to inquire about the product.

Product information

Drill	UD 16 UD 30
Generation:	01
Serial number:	

2 Safety

2.1 General power tool safety warnings

⚠ WARNING Read all safety warnings, instructions, illustrations and specifications provided with this power tool. Failure to follow all instructions listed below may result in electric shock, fire and/or serious injury. **Save all warnings and instructions for future reference.**

The term "power tool" in the warnings refers to your mains-operated (corded) power tool or battery-operated (cordless) power tool.

Work area safety

- ▶ **Keep work area clean and well lit.** Cluttered or dark areas invite accidents.
- ▶ **Do not operate power tools in explosive atmospheres, such as in the presence of flammable liquids, gases or dust.** Power tools create sparks which may ignite the dust or fumes.
- ▶ **Keep children and bystanders away while operating a power tool.** Distractions can cause you to lose control.

Electrical safety

- ▶ **Power tool plugs must match the outlet. Never modify the plug in any way. Do not use any adapter plugs with earthed (grounded) power tools.** Unmodified plugs and matching outlets will reduce risk of electric shock.
- ▶ **Avoid body contact with earthed or grounded surfaces, such as pipes, radiators, ranges and refrigerators.** There is an increased risk of electric shock if your body is earthed or grounded.
- ▶ **Do not expose power tools to rain or wet conditions.** Water entering a power tool will increase the risk of electric shock.



- ▶ **Do not abuse the cord. Never use the cord for carrying, pulling or unplugging the power tool. Keep cord away from heat, oil, sharp edges or moving parts.** Damaged or entangled cords increase the risk of electric shock.
- ▶ **When operating a power tool outdoors, use an extension cord suitable for outdoor use.** Use of a cord suitable for outdoor use reduces the risk of electric shock.
- ▶ **If operating a power tool in a damp location is unavoidable, use a residual current device (RCD) protected supply.** Use of an RCD reduces the risk of electric shock.

Personal safety

- ▶ **Stay alert, watch what you are doing and use common sense when operating a power tool. Do not use a power tool while you are tired or under the influence of drugs, alcohol or medication.** A moment of inattention while operating power tools may result in serious personal injury.
- ▶ **Use personal protective equipment. Always wear eye protection.** Protective equipment such as a dust mask, non-skid safety shoes, hard hat or hearing protection used for appropriate conditions will reduce personal injuries.
- ▶ **Prevent unintentional starting. Ensure the switch is in the off-position before connecting to power source and/or battery pack, picking up or carrying the tool.** Carrying power tools with your finger on the switch or energising power tools that have the switch on invites accidents.
- ▶ **Remove any adjusting key or wrench before turning the power tool on.** A wrench or a key left attached to a rotating part of the power tool may result in personal injury.
- ▶ **Do not overreach. Keep proper footing and balance at all times.** This enables better control of the power tool in unexpected situations.
- ▶ **Dress properly. Do not wear loose clothing or jewellery. Keep your hair and clothing away from moving parts.** Loose clothes, jewellery or long hair can be caught in moving parts.
- ▶ **If devices are provided for the connection of dust extraction and collection facilities, ensure these are connected and properly used.** Use of dust collection can reduce dust-related hazards.
- ▶ **Do not let familiarity gained from frequent use of tools allow you to become complacent and ignore tool safety principles.** A careless action can cause severe injury within a fraction of a second.

Power tool use and care

- ▶ **Do not force the power tool. Use the correct power tool for your application.** The correct power tool will do the job better and safer at the rate for which it was designed.
- ▶ **Do not use the power tool if the switch does not turn it on and off.** Any power tool that cannot be controlled with the switch is dangerous and must be repaired.
- ▶ **Disconnect the plug from the power source and/or remove the battery pack, if detachable, from the power tool before making any adjustments, changing accessories, or storing power tools.** Such preventive safety measures reduce the risk of starting the power tool accidentally.
- ▶ **Store idle power tools out of the reach of children and do not allow persons unfamiliar with the power tool or these instructions to operate the power tool.** Power tools are dangerous in the hands of untrained users.
- ▶ **Maintain power tools and accessories. Check for misalignment or binding of moving parts, breakage of parts and any other condition that may affect the power tool's operation. If damaged, have the power tool repaired before use.** Many accidents are caused by poorly maintained power tools.
- ▶ **Keep cutting tools sharp and clean.** Properly maintained cutting tools with sharp cutting edges are less likely to bind and are easier to control.
- ▶ **Use the power tool, accessories and tool bits etc. in accordance with these instructions, taking into account the working conditions and the work to be performed.** Use of the power tool for operations different from those intended could result in a hazardous situation.
- ▶ **Keep handles and grasping surfaces dry, clean and free from oil and grease.** Slippery handles and grasping surfaces do not allow for safe handling and control of the tool in unexpected situations.

Service

- ▶ **Have your power tool serviced by a qualified repair person using only identical replacement parts.** This will ensure that the safety of the power tool is maintained.

2.2 Drill safety warnings

Safety instructions for all operations

- ▶ **Wear ear protectors when impact drilling.** Exposure to noise can cause hearing loss.
- ▶ **Use the auxiliary handle(s).** Loss of control can cause personal injury.
- ▶ **Hold the power tool by insulated gripping surfaces, when performing an operation where the cutting accessory or fasteners may contact hidden wiring or its own cord.** Cutting accessory or



fasteners contacting a "live" wire may make exposed metal parts of the power tool "live" and could give the operator an electric shock.

Safety instructions when using long drill bits

- ▶ **Never operate at higher speed than the maximum speed rating of the drill bit.** At higher speeds, the bit is likely to bend if allowed to rotate freely without contacting the workpiece, resulting in personal injury.
- ▶ **Always start drilling at low speed and with the bit tip in contact with the workpiece.** At higher speeds, the bit is likely to bend if allowed to rotate freely without contacting the workpiece, resulting in personal injury.
- ▶ **Apply pressure only in direct line with the bit and do not apply excessive pressure.** Bits can bend causing breakage or loss of control, resulting in personal injury.

Safety instructions for using mixing paddles or stirrers

- ▶ **Switch the power tool on or off only when the mixing paddle is immersed in the material for mixing.** Failure to do so can cause a loss of control with resultant risk of injury.

2.3 Additional safety instructions

Personal safety

- ▶ **Use the tool only when it is in technically faultless condition.**
- ▶ **Never tamper with or modify the power tool in any way.**
- ▶ **Always hold the power tool with both hands on the grips provided. Keep the grips dry, clean and free from oil and grease.**
- ▶ **Always lead the supply cord and extension cord away from the power tool to the rear while working.** This helps to avoid tripping over the cord while working.
- ▶ Use a dust extractor, respiratory protection and protective goggles. Dust produced by sanding can damage the lungs and the eyes.
- ▶ **Improve the blood circulation in your fingers by relaxing your hands and exercising your fingers during breaks between working.**
- ▶ Dust from materials, such as paint containing lead, some wood species, concrete / masonry / stone containing silica, and minerals as well as metal, may be harmful. Contact with or inhalation of the dust may cause allergic reactions and/or respiratory or other diseases to the operator or bystanders. Certain kinds of dust are classified as carcinogenic such as oak and beech dust, especially in conjunction with additives for wood conditioning (chromate, wood preservative). Material containing asbestos may be handled only by specialists. **Use a dust removal system whenever possible. To achieve a high level of dust collection, use a suitable vacuum cleaner. When indicated, wear a respirator appropriate for the type of dust generated. Ensure that the workplace is well ventilated. Follow national requirements for the materials you want to work with.**
- ▶ The tool is not intended for use by debilitated persons who have received no special training. Keep the tool out of reach of children.
- ▶ Children are not permitted to play with the machine and must be instructed accordingly.

Electrical safety

- ▶ **Check the machine's supply cord at regular intervals and have it replaced by a qualified specialist if found to be damaged. If the machine's supply cord is damaged it must be replaced with a specially prepared and approved supply cord available from Hilti Customer Service. Check extension cords at regular intervals and replace them if found to be damaged. Do not touch the supply cord or extension cord if it is damaged while working. Disconnect the supply cord plug from the power outlet. Damaged supply cords or extension cords present a risk of electric shock.**
- ▶ **Switch the electric tool off and unplug the supply cord in the event of an interruption in the electric supply in order to avoid inadvertent restarting when the power returns.**
- ▶ **Have dirtied or dusty power tools that are used frequently for working on conductive materials checked at regular intervals by a Hilti Service Center.** Dust, especially dust from conductive materials, or dampness on the surface of the power tool can, under unfavorable conditions, lead to electric shock.

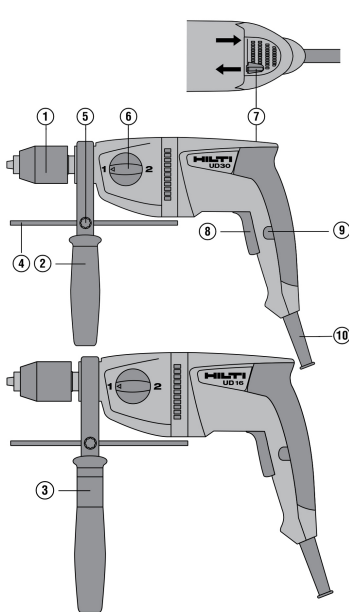
Power tool use and care

- ▶ **Secure the workpiece. A workpiece clamped in a vice or secured by some other clamping devices is more secure than when held only by hand.**
- ▶ **Wear protective gloves when changing accessory tools as they get hot during use.**



3 Description

3.1 Product overview



- ① Keyless or keyed chuck
- ② Side handle
- ③ Sleeve (only UD 16)
- ④ Depth gauge
- ⑤ Locking screw for depth gauge
- ⑥ Function selector switch
- ⑦ Forward/reverse switch
- ⑧ Control switch with electronic speed control
- ⑨ Lockbutton for continuous operation
- ⑩ Supply cord

3.2 Intended use

The product is a hand-held, electrically operated drill. It is suitable for drilling in wood and metal, for screwing and, under certain conditions, for stirring.

3.3 Possible misuse

- This product is not suitable for working on hazardous materials.
- This product is not suitable for working in a damp environment.

3.4 Items supplied

Drill, side handle, depth gauge, chuck key, operating instructions.

Other system products approved for use with this product can be found at your local **Hilti Store** or at: www.hilti.group

4 Technical data

For details of the rated voltage, current, frequency and/or input power, please refer to the power tool's country-specific type identification plate.

When powered by a generator or transformer, the generator or transformer's power output must be at least twice the rated input power shown on the rating plate of the power tool. The operating voltage of the transformer or generator must always be within +5% and -15% of the rated voltage of the power tool.



	UD 16	UD 30
Speed in 1st gear	900 /min (15.0 Hz)	1,200 /min (20.0 Hz)
Speed in 2nd gear	2,500 /min (41.7 Hz)	3,300 /min (55.0 Hz)
Maximum torque, 1st gear	80 Nm (59 ftlb _i)	51 Nm (38 ftlb _i)
Maximum torque, 2nd gear	29 Nm (21 ftlb _i)	18.5 Nm (13.6 ftlb _i)
Diameter, chuck	2 mm ... 13 mm	2 mm ... 13 mm

5 Technical data



For details of the rated voltage, current, frequency and/or input power, please refer to the power tool's country-specific type identification plate.

When powered by a generator or transformer, the generator or transformer's power output must be at least twice the rated input power shown on the rating plate of the power tool. The operating voltage of the transformer or generator must always be within +5% and -15% of the rated voltage of the power tool.

	UD 16	UD 30
Weight	2.6 kg (5.7 lb)	2.5 kg (5.5 lb)

5.1 Using extension cords



WARNING

A damaged supply cord presents a hazard! Do not touch the supply cord or extension cord if damaged while working. Disconnect the supply cord plug from the power outlet.

- ▶ Check the appliance's supply cord at regular intervals and have it replaced by a qualified specialist if found to be damaged.
-
- Use only extension cords of a type approved for the application and with conductors of adequate gauge (cross section). The power tool may otherwise suffer a drop in performance and the extension cord may overheat.
 - Check the extension cord for damage at regular intervals.
 - Replace damaged extension cords.
 - When working outdoors, use only extension cords that are approved and correspondingly marked for this application.

Recommended minimum conductor cross-section and maximum power-cord length for 120V supply voltage

Cord	AWG 16	AWG 14	AWG 12
Power-cord length UD 16	50 ft	100 ft	150 ft
Power-cord length UD 30	50 ft	125 ft	200 ft

6 Operation

6.1 Preparations at the workplace



CAUTION

Risk of injury! Inadvertent starting of the product.

- ▶ Unplug the supply cord before making adjustments to the power tool or before changing accessories.

Observe the safety instructions and warnings in this documentation and on the product.



6.1.1 Fitting and adjusting the side handle 2

1. Release the side handle clamping band by turning the handle grip.



With the UD 16, it is essential to ensure that the sleeve is fitted in the grip of the side handle.

2. Slide the side handle clamping band over the chuck from the front and into the recess provided.
3. Set the side handle to the desired position in accordance with the detents.



Make sure that the ribs of the clamping band are snug in the grooves on the gearing section.

If the side handle slips because the drill bit stalls, check the positive lock/ribs on the gearing section. Have damaged parts replaced. Otherwise the side handle will no longer be able to transfer the torques generated by the tool.

4. Tighten the side handle clamping band by turning the handle grip.

6.1.2 Fitting and adjusting the depth gauge 3

1. Release the locking screw.
2. Slip the depth gauge into the opening provided for the purpose.
3. Adjust the depth gauge to the desired drilling depth.
4. Tighten the locking screw for the depth gauge.

6.1.3 Removing quick-release chuck 4

1. Engage the 17 mm open-ended wrench on the flats of the drive spindle.
2. Engage a 19 mm open-ended wrench on the hexagon of the quick-release chuck.
3. Turn the hexagon counter-clockwise with the 19 mm open-ended wrench.
 - ▶ The quick-release chuck is unscrewed from the drive spindle.

6.1.4 Installing quick-release chuck

1. Screw the quick-release chuck on to the drive spindle as far as it will go by hand.
2. Engage the 17 mm open-ended wrench on the flats of the drive spindle.
3. Engage a 19 mm open-ended wrench on the hexagon of the quick-release chuck.
 - ▶ Tighten it to the specified tightening torque of 120 Nm.

6.1.5 Dismantle sprocket chuck 5

1. Insert the hexagonal steel into the sprocket chuck.
2. Clamp the hexagonal steel using the drill chuck key.
3. Place the fork spanner SW 17 on the intended spanner flat of the unit spindle.
4. Place a suitable key on the hexagonal steel.
5. Turn counterclockwise with the fork wrench SW 19.
 - ▶ The gear rim drill chuck is unscrewed from the tool spindle.

6.1.6 Installing keyed chuck

1. Insert the hexagonal steel rod into the keyed chuck.
2. Use the chuck key to secure the hexagonal steel rod in the chuck.
3. Screw the keyed chuck on to the drive spindle as far as it will go by hand.
4. Engage the 17 mm open-ended wrench on the flats of the drive spindle.
5. Engage the hexagonal steel rod with a suitable wrench.
6. Tighten it to the specified tightening torque of 120 Nm.

6.1.7 Inserting accessory tool into quick-release chuck 6

1. Turn the locking sleeve of the quick-release chuck counter-clockwise.



First, the lock is automatically released.

2. Continue turning the sleeve until the accessory tool disengages.

6.1.8 Removing accessory tool from quick-release chuck 7

1. Open the quick-release chuck until you can insert the shank of the accessory tool.



2. Clamp the accessory tool by turning the sleeve clockwise until the quick-release chuck automatically engages.



Engagement is clearly audible as a series of clicks.

6.1.9 Inserting accessory tool into keyed chuck

1. Open the quick-release chuck until you can insert the shank of the accessory tool.
2. Insert the accessory tool.
3. Close the keyed chuck by turning the gear ring.
4. Insert the chuck key into one of the three holes in the keyed chuck.
5. Secure the accessory tool by turning the chuck key clockwise.
6. Remove the chuck key.

6.1.10 Removing accessory tool from keyed chuck

1. Insert the chuck key into one of the three holes in the keyed chuck.
2. Turn the chuck key counter-clockwise to open the chuck.
3. Remove the accessory tool.
4. Remove the chuck key.

6.2 Types of work

6.2.1 Activating / deactivating continuous operation



The drill can be set to continuous operation by pressing the lockbutton. It is then no longer necessary to keep the control switch pressed down.

1. Press the control switch and hold it in this position.
2. Press and hold down the lockbutton.
3. Release the control switch.
4. Release the lockbutton.
5. To switch off when in sustained operating mode, press the control switch again and then release it.

6.2.2 Setting forward or reverse rotation



Do not operate the forward/reverse switch while the motor is running. **Risk of damage!**

- ▶ Set the forward/reverse switch to the desired direction of rotation.

6.2.3 Drilling, 1st and 2nd gears

- ▶ Set the function selector switch to the "Drilling in first gear" or "Drilling in second gear" position.



It might be necessary to turn the spindle slightly.

6.2.4 Mixing

- ▶ Set the function selector switch to the "Drilling in first gear" position.



It might be necessary to turn the spindle slightly.

6.2.5 Screwdriving

1. Set the forward/reverse switch to the desired direction of rotation.
2. Set the function selector switch to the "Drilling in first gear" or "Drilling in second gear" position.



It might be necessary to turn the spindle slightly.



7 Care and maintenance

WARNING

Electric shock hazard! Attempting care and maintenance with the supply cord connected to a power outlet can lead to severe injury and burns.

- ▶ Always unplug the supply cord before carrying out care and maintenance tasks.

Care

- Carefully remove stubborn dirt from the tool.
- Clean the air vents carefully with a dry brush.
- Use only a slightly damp cloth to clean the casing. Do not use cleaning agents containing silicone as they can attack the plastic parts.

Maintenance

WARNING

Danger of electric shock! Improper repairs to electrical components may lead to serious injuries including burns.

- ▶ Repairs to the electrical section of the tool or appliance may be carried out only by trained electrical specialists.
- Check all visible parts and controls for signs of damage at regular intervals and make sure that they all function correctly.
- Do not operate the product if signs of damage are found or if parts malfunction. Have it repaired immediately by **Hilti Service**.
- After cleaning and maintenance, fit all guards or protective devices and check that they function correctly.



To help ensure safe and reliable operation, use only genuine Hilti spare parts and consumables. Spare parts, consumables and accessories approved by Hilti for use with the product can be found at your local **Hilti Store** or online at: www.hilti.group.

8 Transport and storage

Transport

- ▶ Do not transport this product with an accessory tool installed.
- ▶ Make sure that the equipment is held securely throughout all transport operations.
- ▶ After transporting, always check all visible parts and controls for signs of damage and make sure that they all function correctly.

Storage

- ▶ Always store this product with the electric supply cable unplugged from the electricity supply.
- ▶ Store this product in a dry place, where it cannot be accessed by children or unauthorized persons.
- ▶ After a long period of storage, always check all visible parts and controls for signs of damage and make sure that they all function correctly.

9 Troubleshooting

If the trouble you are experiencing is not listed in this table or you are unable to remedy the problem by yourself, please contact **Hilti Service**.

9.1 Troubleshooting

Trouble or fault	Possible cause	Action to be taken
Power tool does not start.	Interruption in the electricity supply	▶ Plug in another electric tool or appliance and check whether it works.
	The supply cord or plug is defective.	▶ Have the parts checked by a trained electrical specialist and replaced if necessary.



Trouble or fault	Possible cause	Action to be taken
Power tool does not start.	Electronic fault	▶ Have the parts checked by a trained electrical specialist and replaced if necessary.
The power tool does not develop full power.	The gauge (cross section) of the extension cord conductors is inadequate.	▶ Use an extension cord with an adequate conductor cross section.
	The control switch is not fully pressed.	▶ Press the control switch as far as it will go.
The drill bit makes no progress.	The tool has been set to reverse rotation.	▶ Set the tool to forward rotation.
	Drill bit blunt or damaged.	▶ Sharpen the drill bit or replace it.
Drill bit does not rotate.	Chuck not tightened securely.	▶ Tighten the chuck.

10 Disposal

Most of the materials from which **Hilti** tools and appliances are manufactured can be recycled. The materials must be correctly separated before they can be recycled. In many countries, your old tools, machines or appliances can be returned to **Hilti** for recycling. Ask **Hilti** Service or your Hilti representative for further information.



- ▶ Do not dispose of power tools, electronic equipment or batteries as household waste!

11 Manufacturer's warranty

- ▶ Please contact your local **Hilti** representative if you have questions about the warranty conditions.

Mode d'emploi original

1 Indications relatives à la documentation

1.1 À propos de cette documentation

- Lire intégralement la présente documentation avant la mise en service. C'est la condition préalablement requise pour assurer la sécurité du travail et un maniement sans perturbations.
- Bien respecter les consignes de sécurité et les avertissements de la présente documentation ainsi que celles figurant sur le produit.
- Toujours conserver le mode d'emploi à proximité du produit et uniquement le transmettre à des tiers avec ce mode d'emploi.

1.2 Explication des symboles

1.2.1 Avertissements

Les avertissements attirent l'attention sur des dangers liés à l'utilisation du produit. Les termes de signalisation suivants sont utilisés :

DANGER

DANGER !

- ▶ Pour un danger imminent qui peut entraîner de graves blessures corporelles ou la mort.

AVERTISSEMENT

AVERTISSEMENT !

- ▶ Pour un danger potentiel qui peut entraîner de graves blessures corporelles ou la mort.



ATTENTION

ATTENTION !

- Pour une situation potentiellement dangereuse pouvant entraîner des blessures corporelles ou des dégâts matériels.

1.2.2 Symboles dans le manuel d'utilisation

Les symboles suivants sont utilisés dans le présent manuel d'utilisation :

	Respecter le manuel d'utilisation
	Pour des conseils d'utilisation et autres informations utiles
	Maniement des matériaux recyclables
	Ne pas jeter les appareils électriques et les accus dans les ordures ménagères

1.2.3 Symboles dans les illustrations

Les symboles suivants sont utilisés dans les illustrations :

	Ces chiffres renvoient à l'illustration correspondante au début du présent manuel d'utilisation.
	La numérotation détermine la séquence des étapes de travail dans l'image et peut se différencier de celles des étapes de travail dans le texte.
	Les numéros de position sont utilisés dans l'illustration Vue d'ensemble et renvoient aux numéros des légendes dans la section Vue d'ensemble du produit .
	Ce signe doit inviter à manier le produit en faisant particulièrement attention.

1.3 Symboles spécifiques au produit

1.3.1 Symboles sur le produit

Les symboles suivants sont utilisés sur le produit :

	Perçage 1ère vitesse
	Perçage 2ème vitesse
	Sens de rotation droite/gauche
	Tours par minute
	Porter des lunettes de protection
	Porter un casque antibruit
	Porter des gants de protection
	Porter un masque respiratoire léger
	Classe de protection II (double isolation)

1.4 Informations produit

Les produits sont destinés aux professionnels et ne doivent être utilisés, entretenus et réparés que par un personnel autorisé et formé. Ce personnel doit être spécialement instruit quant aux dangers inhérents à l'utilisation de l'appareil. Le produit et ses accessoires peuvent s'avérer dangereux s'ils sont utilisés de manière incorrecte par un personnel non qualifié ou de manière non conforme à l'usage prévu.

La désignation du modèle et le numéro de série figurent sur sa plaque signalétique.



- ▶ Inscrivez le numéro de série dans le tableau suivant. Les informations produit vous seront demandées lorsque vous contactez nos revendeurs ou services après-vente.

Caractéristiques produit

Perceuse	UD 16 UD 30
Génération :	01
Numéro de série :	

2 Sécurité

2.1 Indications générales de sécurité pour les appareils électriques

⚠ AVERTISSEMENT Lire toutes les consignes de sécurité et instructions, illustrations et caractéristiques techniques, qui accompagnent cet outil électroportatif. Tout manquement à l'observation des instructions suivantes risque de provoquer une électrocution, un incendie et/ou de graves blessures.

Les consignes de sécurité et instructions doivent être intégralement conservées pour les utilisations futures.

La notion d'« outil électroportatif » mentionnée dans les consignes de sécurité se rapporte à des outils électriques raccordés au secteur (avec câble d'alimentation) et à des outils électriques sur accus (sans câble d'alimentation).

Sécurité sur le lieu de travail

- ▶ **Conserver la zone de travail propre et bien éclairée.** Un lieu de travail en désordre ou mal éclairé augmente le risque d'accidents.
- ▶ **Ne pas faire fonctionner les outils électriques en atmosphère explosive et où se trouvent des liquides, des gaz ou poussières inflammables.** Les outils électriques produisent des étincelles qui peuvent enflammer les poussières ou les fumées.
- ▶ **Maintenir les enfants et les personnes présentes à l'écart pendant l'utilisation de l'outil électroportatif.** En cas d'inattention il y a risque de perdre le contrôle de l'appareil.

Sécurité relative au système électrique

- ▶ **La fiche de secteur de l'outil électroportatif doit être adaptée à la prise de courant. Ne jamais modifier la fiche de quelque façon que ce soit. Ne pas utiliser d'adaptateurs avec des outils électriques à branchement de terre.** Des fiches non modifiées et des prises de courant adaptées réduiront le risque de choc électrique.
- ▶ **Éviter le contact physique avec des surfaces mises à la terre tels que tuyaux, radiateurs, cuisinières et réfrigérateurs.** Il y a un risque élevé de choc électrique au cas où votre corps serait relié à la terre.
- ▶ **Ne pas exposer les outils électroportatifs à la pluie ou à l'humidité.** La pénétration d'eau à l'intérieur d'un outil électroportatif augmentera le risque d'un choc électrique.
- ▶ **Ne jamais utiliser le câble de raccordement à d'autres fins que celles prévues, telles que pour porter, accrocher ou débrancher l'outil électroportatif de la prise de courant. Maintenir le câble de raccordement à l'écart de la chaleur, des parties grasses, des bords tranchants ou des parties en mouvement.** Des câbles de raccordement endommagés ou emmêlés augmentent le risque de choc électrique.
- ▶ **Si l'outil électroportatif est utilisé à l'extérieur, utiliser uniquement des câbles de rallonge homologués pour les applications extérieures.** L'utilisation d'un câble de rallonge homologué pour les applications extérieures réduit le risque d'un choc électrique.
- ▶ **Si l'utilisation de l'outil électrique dans un environnement humide ne peut pas être évitée, utiliser un interrupteur de protection contre les courants de court-circuit.** L'utilisation d'un tel interrupteur de protection réduit le risque d'une décharge électrique.

Sécurité des personnes

- ▶ **Rester vigilant, surveiller ce que l'on fait. Faire preuve de bon sens en utilisant l'outil électroportatif. Ne pas utiliser l'outil électroportatif en étant fatigué ou sous l'emprise de l'alcool, de drogues ou de médicaments.** Un moment d'inattention lors de l'utilisation de l'outil électroportatif peut entraîner des blessures graves.
- ▶ **Utiliser un équipement de protection personnel et toujours porter une protection pour les yeux.** Les équipements de protection personnels tels que masque antipoussière, chaussures de sécurité antidérapantes, casque de protection ou protection acoustique suivant l'utilisation de l'outil électroportatif, réduiront le risque de blessures des personnes.
- ▶ **Éviter une mise en service par mégarde. S'assurer que l'outil électroportatif est arrêté avant de le brancher à la source de courant et/ou à l'accu, de le prendre ou de le porter.** Le fait de porter l'outil



électroportatif avec le doigt sur l'interrupteur ou de brancher l'appareil sur la source de courant lorsque l'interrupteur est en position de fonctionnement peut entraîner des accidents.

- ▶ **Retirer tout outil de réglage ou toute clé avant de mettre l'outil électroportatif en fonctionnement.** Une clé ou un outil se trouvant sur une partie en rotation peut causer des blessures.
- ▶ **Adopter une bonne posture. Veiller à toujours garder une position stable et équilibrée.** Cela permet un meilleur contrôle de l'outil électroportatif dans des situations inattendues.
- ▶ **S'habiller de manière adaptée. Ne pas porter de vêtements amples ni de bijoux. Garder les cheveux, les vêtements et les gants à distance des parties en mouvement.** Des vêtements amples, des bijoux ou des cheveux longs peuvent être happés par des parties en mouvement.
- ▶ **Si des dispositifs servant à aspirer ou à recueillir les poussières doivent être utilisés, s'assurer qu'ils sont effectivement raccordés et correctement utilisés.** L'utilisation d'un dispositif d'aspiration de la poussière peut réduire les risques dus aux poussières.
- ▶ **Ne pas sous-estimer les mesures de sécurité à prendre et ne pas ignorer sciemment les règles de sécurité applicables aux outils électriques, même si l'on est utilisateur chevronné après de fréquentes utilisations de l'outil électroportatif.** Un manque d'attention peut conduire à de graves blessures en quelques fractions de seconde.

Utilisation et maniement de l'outil électroportatif

- ▶ **Ne pas forcer l'appareil. Utiliser l'outil électroportatif adapté au travail à effectuer.** Un outil électroportatif approprié réalisera mieux le travail et de manière plus sûre au régime pour lequel il a été conçu.
- ▶ **Ne pas utiliser d'outil électroportatif dont l'interrupteur est défectueux.** Tout outil électroportatif qui ne peut plus être mis en ou hors fonctionnement est dangereux et doit être réparé.
- ▶ **Débrancher la fiche de la prise de courant et/ou l'accu amovible avant d'effectuer des réglages sur l'appareil, de changer les accessoires, ou de ranger l'appareil.** Cette mesure de précaution empêche une mise en fonctionnement par mégarde de l'outil électroportatif.
- ▶ **Conserver les outils électroportatifs non utilisés hors de portée des enfants. Ne permettre l'utilisation de l'appareil à aucune personne qui ne soit pas familiarisée avec celui-ci ou qui n'a pas lu ces instructions.** Les outils électroportatifs sont dangereux lorsqu'ils sont entre les mains de personnes non initiées.
- ▶ **Prendre soin des outils électroportatifs et des accessoires. Vérifier que les parties en mouvement fonctionnent correctement et qu'elles ne sont pas coincées, et contrôler si des parties sont cassées ou endommagées de sorte que le bon fonctionnement de l'outil électroportatif s'en trouve entravé. Faire réparer les parties endommagées avant d'utiliser l'appareil.** De nombreux accidents sont dus à des outils électroportatifs mal entretenus.
- ▶ **Garder les outils de coupe affûtés et propres.** Des outils destinés à couper correctement entretenus avec des arêtes de coupe tranchantes sont moins susceptibles de bloquer et sont plus faciles à contrôler.
- ▶ **L'outil électroportatif, les accessoires, les outils amovibles, etc. doivent être utilisés conformément à ces instructions. Tenir également compte des conditions de travail et du travail à réaliser.** L'utilisation des outils électroportatifs à d'autres fins que celles prévues peut entraîner des situations dangereuses.
- ▶ **Veiller à ce que les poignées et surfaces de préhension soient toujours être sèches, propres et exemptes de traces de graisse ou d'huile.** Avec des poignées et surfaces de préhension glissantes, la sécurité et le contrôle de l'outil électroportatif ne peuvent être assurés dans des situations inopinées.

Service

- ▶ **L'outil électroportatif doit uniquement être réparé par un personnel qualifié, utilisant exclusivement des pièces de rechange d'origine.** Ceci permet d'assurer la sécurité de l'outil électroportatif.

2.2 Indications de sécurité pour les perceuses

Consignes de sécurité pour tous les travaux

- ▶ **Porter un casque antibruit lors du perçage à percussion.** Le bruit peut entraîner des pertes auditives.
- ▶ **Utiliser la poignée supplémentaire.** La perte de contrôle peut entraîner des blessures.
- ▶ **Tenir l'outil électroportatif par les surfaces isolées des poignées lors des travaux pendant lesquels l'outil amovible ou les vis risquent de toucher des câbles électriques cachés ou son propre cordon d'alimentation.** Le contact avec un câble sous tension risque de mettre les parties métalliques de l'appareil sous tension et de provoquer une décharge électrique.

Consignes de sécurité lors de l'utilisation de la mèche longue

- ▶ **Ne jamais travailler avec une vitesse de rotation plus élevée que la vitesse de rotation maximale autorisée pour la mèche.** En cas de vitesse de rotation plus élevée, la mèche risque de se déformer légèrement si elle peut tourner librement sans contact avec la pièce travaillée et entraîner des blessures.



- ▶ **Toujours commencer l'opération de perçage à vitesse réduite et alors que la mèche est en contact avec la pièce travaillée.** En cas de vitesse de rotation plus élevée, la mèche risque de se déformer légèrement si elle peut tourner librement sans contact avec la pièce travaillée et entraîner des blessures.
- ▶ **Ne pas exercer de pression excessive et seulement dans le sens longitudinal.** Les mèches peuvent se tordre et donc se casser, ou il peut y avoir perte de contrôle de l'appareil ce qui entraîne un risque de blessures.

Consignes de sécurité lors de l'utilisation de malaxeurs et mélangeurs

- ▶ **Mettre l'outil électroportatif en marche ou arrêter seulement si le malaxeur est plongé dans le matériau à malaxer.** Sans quoi il peut y avoir perte de contrôle ce qui entraîne un risque de blessures.

2.3 Consignes de sécurité supplémentaires

Sécurité des personnes

- ▶ **Utiliser l'appareil uniquement s'il est en parfait état.**
- ▶ **Ne jamais entreprendre de manipulation ni de modification sur l'appareil.**
- ▶ **Toujours tenir l'appareil des deux mains par les poignées prévues à cet effet. Veiller à ce que les poignées soient toujours sèches, propres et exemptes de traces de graisse et d'huile.**
- ▶ **Pendant le travail, toujours tenir le câble d'alimentation réseau et de rallonge à l'arrière de l'appareil.** Ceci permet d'éviter tout risque de chute en trébuchant sur le câble pendant le travail.
- ▶ Utiliser un dispositif d'aspiration de la poussière, un masque antipoussière et des lunettes de protection. La poussière générée par le ponçage risque d'être nuisibles aux poumons et aux yeux.
- ▶ **Faire régulièrement des pauses et des exercices de relaxation et de massage des doigts pour favoriser l'irrigation sanguine des doigts.**
- ▶ Les poussières de matériaux telles que des peintures contenant du plomb, certains types de bois, du béton / de la maçonnerie / des pierres naturelles qui contiennent du quartz ainsi que des minéraux et des métaux peuvent être nuisibles à la santé. Le contact ou l'aspiration de poussière peut provoquer des réactions allergiques et/ou des maladies respiratoires de l'utilisateur ou de toute personne se trouvant à proximité. Certaines poussières, telles que des poussières de chêne ou de hêtre, sont considérées comme cancérogènes, en particulier lorsqu'elles sont combinées à des additifs destinés au traitement du bois (chromate, produit de protection du bois). Les matériaux contenant de l'amiant doivent seulement être manipulés par un personnel spécialisé. **Utiliser si possible un dispositif d'aspiration de poussière. Pour une aspiration de poussière efficace, il convient d'utiliser un dépoussiéreur mobile adéquat. Le cas échéant, porter un masque antipoussière adapté au type de poussière considérée. Veiller à ce que le poste de travail soit bien ventilé. Respecter les prescriptions locales en vigueur qui s'appliquent aux matériaux travaillés.**
- ▶ L'appareil n'est pas destiné à être utilisé par des personnes affaiblies sans encadrement. L'appareil doit être tenu à l'écart des enfants.
- ▶ Avertir les enfants et veiller à ce qu'ils ne jouent pas avec l'appareil.

Sécurité relative au système électrique

- ▶ **Contrôler régulièrement les câbles de raccordement de l'appareil et les faire remplacer par un spécialiste s'ils sont endommagés. Si le câble de raccordement de l'appareil électrique est endommagé, il doit être remplacé par un câble de raccordement spécialement préparé et autorisé, disponible auprès du service après-vente. Contrôler régulièrement les câbles de rallonge et les remplacer s'ils sont endommagés. Si le câble d'alimentation réseau ou de rallonge est endommagé pendant le travail, ne pas le toucher. Débrancher la fiche de la prise.** Les cordons d'alimentation et câbles de rallonge endommagés représentent un danger d'électrocution.
- ▶ **En cas de coupure de courant, mettre l'interrupteur Marche / Arrêt de l'outil électroportatif sur Arrêt et débrancher la fiche de la prise de courant pour éviter toute mise en marche intempestive lorsque le courant est rétabli.**
- ▶ **Si le travail s'effectue souvent sur des matériaux conducteurs, faire réviser les appareils encrassés par le S.A.V. Hilti à intervalles réguliers.** Dans de mauvaises conditions d'utilisation, la poussière collée à la surface de l'appareil, surtout la poussière de matériaux conducteurs, ou l'humidité, peut entraîner une électrocution.

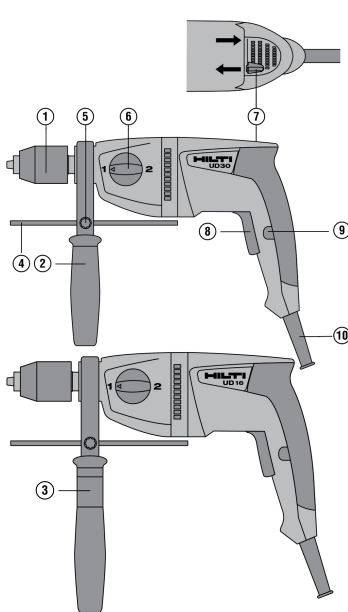
Utilisation et emploi soigneux de l'outil électroportatif

- ▶ **Bien fixer la pièce. Il est plus sûr de maintenir une pièce à travailler à l'aide d'un dispositif de serrage ou d'un étau qu'à la main.**
- ▶ **Se munir de gants de protection pour changer d'outil, car l'appareil peut être très chaud après utilisation.**



3 Description

3.1 Vue d'ensemble du produit



- ① Mandrin de perçage à serrage rapide ou mandrin de perçage à couronne dentée
- ② Poignée latérale
- ③ Douille (uniquement UD 16)
- ④ Butée de profondeur
- ⑤ Vis de blocage de la butée de profondeur
- ⑥ Sélecteur de fonction
- ⑦ Inverseur du sens de rotation droite / gauche
- ⑧ Interrupteur de commande avec variateur de vitesse électronique
- ⑨ Bouton de blocage pour marche continue
- ⑩ Câble d'alimentation réseau

3.2 Utilisation prévue

Le produit est une perceuse manuelle à commande électrique. Il convient pour le perçage dans le bois et le métal, pour le vissage et, dans certaines conditions, pour le brassage.

3.3 Mauvaise utilisation possible

- Ce produit ne convient pas pour travailler des matériaux dangereux pour la santé.
- Ce produit n'est pas conçu pour travailler dans un environnement humide.

3.4 Éléments livrés

Perceuse, poignée latérale, butée de profondeur, clé de mandrin, mode d'emploi.

D'autres produits système pour votre produit peuvent être trouvés dans votre **Hilti Store** ou à l'adresse : www.hilti.group

4 Caractéristiques techniques

Les données de tension nominale, courant nominal, fréquence et / ou consommation nominale figurent sur la plaque signalétique spécifique au pays.

En cas d'utilisation avec un groupe électrogène ou un transformateur, leur puissance d'alimentation doit être au moins égale au double de la puissance indiquée sur la plaque signalétique de l'appareil. La tension de service du groupe électrogène ou du transformateur doit être toujours comprise entre +5 % et -15 % par rapport à la tension nominale de l'appareil.



	UD 16	UD 30
Vitesse de rotation 1ère vitesse	900 tr/min (15,0 Hz)	1.200 tr/min (20,0 Hz)
Vitesse de rotation 2ème vitesse	2.500 tr/min (41,7 Hz)	3.300 tr/min (55,0 Hz)
Couple de rotation maximal 1ère vitesse	80 Nm (59 ftlb _i)	51 Nm (38 ftlb _i)
Couple de rotation maximal 2ème vitesse	29 Nm (21 ftlb _i)	18,5 Nm (13,6 ftlb _i)
Diamètre du mandrin	2 mm ... 13 mm	2 mm ... 13 mm

5 Caractéristiques techniques



Les données de tension nominale, courant nominal, fréquence et / ou consommation nominale figurent sur la plaque signalétique spécifique au pays.

En cas d'utilisation avec un groupe électrogène ou un transformateur, leur puissance d'alimentation doit être au moins égale au double de la puissance indiquée sur la plaque signalétique de l'appareil. La tension de service du groupe électrogène ou du transformateur doit être toujours comprise entre +5 % et -15 % par rapport à la tension nominale de l'appareil.

	UD 16	UD 30
Poids	2,6 kg (5,7 lb)	2,5 kg (5,5 lb)

5.1 Utilisation de câbles de rallonge



AVERTISSEMENT

Danger engendré par un câble endommagé ! Si le câble d'alimentation réseau ou de rallonge est endommagé pendant le travail, ne pas le toucher. Débrancher la prise.

- ▶ Contrôler régulièrement les câbles de raccordement de l'appareil et les faire remplacer par un spécialiste s'ils sont endommagés.
- Utiliser uniquement des câbles de rallonge homologués pour le champ d'action correspondant et de section suffisante. Sinon, il peut y avoir une perte de puissance à proximité de l'appareil et une surchauffe du câble.
- Contrôler régulièrement si le câble de rallonge n'est pas endommagé.
- Remplacer les câbles de rallonge endommagés.
- À l'extérieur, n'utiliser que des câbles de rallonge homologués avec le marquage correspondant.

Sections minimales recommandées et longueurs maximales de câbles avec une tension de secteur de 120 V

Câble	AWG 16	AWG 14	AWG 12
Longueur de câble UD 16	50 ft	100 ft	150 ft
Longueur de câble UD 30	50 ft	125 ft	200 ft

6 Utilisation

6.1 Préparatifs



ATTENTION

Risque de blessures ! Mise en marche inopinée du produit.

- ▶ Retirer la fiche de la prise avant d'effectuer des réglages sur l'appareil ou de changer les accessoires.

Bien respecter les consignes de sécurité et les avertissements de la présente documentation ainsi que celles figurant sur le produit.



6.1.1 Montage et réglage de la poignée latérale 2

1. Tourner le dispositif de serrage (collier de serrage) sur la poignée latérale pour desserrer.



Sur le modèle UD 16, veiller à ce que la douille soit montée dans la poignée latérale.

2. Pousser le dispositif de serrage (collier de serrage) vers l'avant sur le porte-outil jusqu'à la rainure prévue à cet effet.
3. Placer la poignée latérale dans la position souhaitée en fonction des crans prévus.



Veiller à ce que les nervures du collier de serrage s'engagent dans les rainures du collet de l'engrenage.

Si la poignée latérale glisse dans le matériau support après un blocage, vérifier l'engagement positif/les nervures sur le collet de l'engrenage. Faire remplacer les pièces endommagées. Sinon, les couples ne peuvent plus être absorbés par la poignée latérale.

4. Tourner le dispositif de serrage (collier de serrage) sur la poignée latérale pour serrer.

6.1.2 Montage et ajustage de la butée de profondeur 3

1. Desserrer la vis de blocage.
2. Pousser la butée de profondeur dans l'ouverture prévue à cet effet.
3. Régler la butée de profondeur sur la profondeur de perçage souhaitée.
4. Serrer à fond la vis de blocage de la butée de profondeur.

6.1.3 Démontage du mandrin auto-serrant 4

1. Placer la clé à fourche de 17 au niveau du méplat prévu sur la broche de l'appareil.
2. Placer une clé à fourche de 19 sur le six pans du mandrin auto-serrant.
3. Tourner avec la clé à fourche de 19 dans le sens inverse des aiguilles d'une montre.
 - Le mandrin auto-serrant est dévissé de la broche de l'appareil.

6.1.4 Montage du mandrin auto-serrant

1. Visser le mandrin auto-serrant à la main jusqu'à la butée de la broche de l'appareil.
2. Placer la clé à fourche de 17 au niveau du méplat prévu sur la broche de l'appareil.
3. Placer une clé à fourche de 19 sur le six pans du mandrin auto-serrant.
 - Serrer au couple de serrage défini de 120 Nm.

6.1.5 Démontez le mandrin de la roue dentée 5

1. Insérez l'acier hexagonal dans le mandrin du pignon.
2. Serrer l'acier hexagonal à l'aide de la clé du mandrin de la perceuse.
3. Placez le connecteur à fourche SW 17 sur le plat prévu pour la clé de l'axe de l'appareil.
4. Placez une clé appropriée sur l'acier hexagonal.
5. Tourner dans le sens inverse des aiguilles d'une montre avec la clé à fourche SW 19.
 - Le mandrin de la couronne dentée est dévissé de la broche de l'appareil.

6.1.6 Montage du mandrin de perçage à couronne dentée

1. Mettre l'acier six pans dans le mandrin de perçage à couronne dentée.
2. Serrer l'acier six pans avec la clé de mandrin.
3. Visser le mandrin de perçage à couronne dentée à la main jusqu'à la butée de la broche de l'appareil.
4. Placer la clé à fourche de 17 au niveau du méplat prévu sur la broche de l'appareil.
5. Placer une clé appropriée sur l'acier six pans.
6. Serrer au couple de serrage défini de 120 Nm.

6.1.7 Mise en place de l'outil dans le mandrin auto-serrant 6

1. Tourner la douille de verrouillage du mandrin auto-serrant dans le sens inverse des aiguilles d'une montre.



Le verrouillage est tout d'abord automatiquement desserré.

2. Continuer de tourner la douille jusqu'à ce que l'outil se détache.



6.1.8 Retrait de l'outil du mandrin auto-serrant 7

1. Ouvrir le mandrin auto-serrant jusqu'à ce que la tige de l'outil puisse être mise en place.
2. Serrer l'outil en tournant la douille dans le sens des aiguilles d'une montre jusqu'à ce que le mandrin auto-serrant s'enclenche automatiquement.



L'enclenchement est nettement perceptible par plusieurs clics audibles.

6.1.9 Mise en place de l'outil dans le mandrin de perçage à couronne dentée 8

1. Ouvrir le mandrin auto-serrant jusqu'à ce que la tige de l'outil puisse être mise en place.
2. Insérer l'outil.
3. Fermer le mandrin de perçage à couronne dentée en tournant la bague de la couronne dentée.
4. Introduire la clé de mandrin dans l'un des trois trous sur le mandrin de perçage à couronne dentée.
5. Tourner la clé de mandrin dans le sens des aiguilles d'une montre pour fixer l'outil.
6. Retirer la clé de mandrin.

6.1.10 Retrait de l'outil du mandrin de perçage à couronne dentée 9

1. Introduire la clé de mandrin dans l'un des trois trous sur le mandrin de perçage à couronne dentée.
2. Pour l'ouvrir, tourner la clé de mandrin dans le sens inverse des aiguilles d'une montre.
3. Extraire l'outil.
4. Retirer la clé de mandrin.

6.2 Travail

6.2.1 Activation / Désactivation de la marche continue 10



La perceuse peut être commutée en marche continue en actionnant le bouton de blocage correspondant, afin de ne pas avoir à appuyer constamment sur la touche de commande.

1. Appuyer sur le variateur électronique de vitesse et le maintenir enfoncé.
2. Appuyer sur le bouton de blocage et le maintenir enfoncé.
3. Relâcher le variateur électronique de vitesse.
4. Relâcher le bouton de blocage.
5. Pour désactiver le mode de fonctionnement en continu, appuyer sur le variateur électronique de vitesse et le relâcher.

6.2.2 Sélection du sens de rotation droite / gauche 11



L'inverseur du sens de rotation droite / gauche ne doit pas être tourné pendant le fonctionnement.
Risque d'endommagement !

- ▶ Régler l'inverseur du sens de rotation droite / gauche sur le sens de rotation souhaité.

6.2.3 Perçage 1ère et 2ème vitesse

- ▶ Tourner le sélecteur de fonction sur la position "Perçage en 1ère vitesse" ou "Perçage en 2ème vitesse".



Ce faisant, il peut être nécessaire de tourner légèrement la broche.

6.2.4 Mélange

- ▶ Tourner le sélecteur de fonction sur la position "Perçage 1ère vitesse".



Ce faisant, il peut être nécessaire de tourner légèrement la broche.

6.2.5 Vissages

- 1. Régler l'inverseur du sens de rotation droite / gauche sur le sens de rotation souhaité.



2. Tourner le sélecteur de fonction sur la position "Perçage en 1ère vitesse" ou "Perçage en 2ème vitesse".



Ce faisant, il peut être nécessaire de tourner légèrement la broche.

7 Nettoyage et entretien



AVERTISSEMENT

Danger d'électrocution ! Les travaux de nettoyage et d'entretien effectués avec fiche branchée à la prise peuvent entraîner de graves blessures ou brûlures.

- ▶ Toujours retirer la fiche de la prise avant tous travaux de nettoyage et d'entretien !

Nettoyage

- Éliminer prudemment les saletés récalcitrantes.
- Nettoyer les ouïes d'aération avec précaution au moyen d'une brosse sèche.
- Nettoyer le boîtier uniquement avec un chiffon légèrement humidifié. Ne pas utiliser de nettoyeurs à base de silicone, ceci pourrait attaquer les pièces en plastique.

Entretien



AVERTISSEMENT

Risque d'électrocution ! Des réparations inappropriées sur des composants électriques peuvent entraîner de graves blessures corporelles et brûlures.

- ▶ Toute réparation des pièces électriques ne doit être effectuée que par un électricien qualifié.
- Vérifier régulièrement qu'aucune pièce visible n'est endommagée et que les organes de commande sont parfaitement opérationnels.
- En cas d'endommagements et/ou de dysfonctionnements, ne pas utiliser le produit. Le faire immédiatement réparer par le S.A.V. **Hilti**.
- Après des travaux de nettoyage et d'entretien, vérifier si tous les équipements de protection sont bien en place et fonctionnent parfaitement.



Pour une utilisation en toute sécurité, utiliser uniquement des pièces de rechange et consommables d'origine. Vous trouverez les pièces de rechange, consommables et accessoires autorisés convenant pour votre produit dans le centre **Hilti Store** ou sous : www.hilti.group.

8 Transport et entreposage

Transport

- ▶ Ne jamais transporter ce produit avec outil monté.
- ▶ Veiller à le tenir fermement pendant le transport.
- ▶ Vérifier après chaque transport qu'aucune pièce visible n'est endommagée et que les organes de commande sont parfaitement opérationnels.

Stockage

- ▶ Toujours stocker l'appareil avec la fiche secteur débranchée.
- ▶ Stocker cet appareil à l'état sec hors de portée des enfants et des personnes non autorisées.
- ▶ Vérifier après un stockage prolongé qu'aucune pièce visible n'est endommagée et que les organes de commande sont parfaitement opérationnels.

9 Aide au dépannage

En cas de défaillances non énumérées dans ce tableau ou auxquelles il n'est pas possible de remédier sans aide, contacter le S.A.V. **Hilti**.

9.1 Guide de dépannage

Défaillance	Causes possibles	Solution
L'appareil ne se met pas en marche.	Alimentation par secteur interrompue	▶ Brancher un autre appareil électrique et vérifier s'il fonctionne.



Défaillance	Causes possibles	Solution
L'appareil ne se met pas en marche.	Le câble d'alimentation réseau ou le connecteur est défectueux.	► Faire vérifier par un électricien et, si nécessaire, remplacer.
	Défaut électronique	► Faire vérifier par un électricien et, si nécessaire, remplacer.
L'appareil n'atteint pas la pleine puissance.	La section du câble de rallonge n'est pas suffisante.	► Utiliser un câble de rallonge de section suffisante.
	Le variateur électronique de vitesse n'est pas complètement enfoncé.	► Enfoncer le variateur électronique de vitesse jusqu'en butée.
La mèche ne perce pas.	L'appareil est réglé sur le sens de rotation à gauche.	► Commuter l'appareil sur le sens de rotation droite.
	La mèche est émoussée ou endommagée.	► Affûter la mèche ou la remplacer.
La mèche ne tourne pas.	Le mandrin n'est pas serré à fond.	► Resserrer le mandrin.

10 Recyclage

Les appareils **Hilti** sont fabriqués pour une grande partie en matériaux recyclables. Le recyclage présuppose un tri adéquat des matériaux. **Hilti** reprend les appareils usagés dans de nombreux pays en vue de leur recyclage. Consulter le service clients **Hilti** ou un conseiller commercial.



- Ne pas jeter les appareils électriques, électroniques et accus dans les ordures ménagères !

11 Garantie constructeur

- En cas de questions sur les conditions de garantie, veuillez vous adresser à votre partenaire **Hilti** local.

Manual de instrucciones original

1 Información sobre la documentación

1.1 Acerca de esta documentación

- Lea detenidamente esta documentación antes de la puesta en servicio. Ello es imprescindible para un trabajo seguro y un manejo sin problemas.
- Respete las indicaciones de seguridad y las advertencias presentes en esta documentación y en el producto.
- Conserve este manual de instrucciones siempre junto con el producto y entregue el producto a otras personas siempre acompañado del manual.

1.2 Explicación de símbolos

1.2.1 Avisos

Las advertencias de seguridad advierten de peligros derivados del manejo del producto. Se utilizan las siguientes palabras de peligro:

PELIGRO

PELIGRO !

- Término utilizado para un peligro inminente que puede ocasionar lesiones graves o incluso la muerte.

ADVERTENCIA

ADVERTENCIA !

- Término utilizado para un posible peligro que puede ocasionar lesiones graves o incluso la muerte.



PRECAUCIÓN

PRECAUCIÓN !

- Término utilizado para una posible situación peligrosa que puede ocasionar lesiones o daños materiales.

1.2.2 Símbolos en el manual de instrucciones

En este manual de instrucciones se utilizan los siguientes símbolos:

	Consulte el manual de instrucciones
	Indicaciones de uso y demás información de interés
	Manejo con materiales reutilizables
	No tirar las herramientas eléctricas y las baterías junto con los desperdicios domésticos

1.2.3 Símbolos en las figuras

En las figuras se utilizan los siguientes símbolos:

	Estos números hacen referencia a la figura correspondiente incluida al principio de este manual de instrucciones.
	La numeración describe el orden de los pasos de trabajo en la imagen y puede ser diferente de los pasos descritos en el texto.
	En la figura Vista general se utilizan números de posición y los números de la leyenda están explicados en el apartado Vista general del producto .
	Preste especial atención a este símbolo cuando utilice el producto.

1.3 Símbolos del producto

1.3.1 Símbolos en el producto

En el producto se utilizan los siguientes símbolos:

	Taladrar en 1.ª velocidad
	Taladrar en 2.ª velocidad
	Giro derecha/izquierda
	Revoluciones por minuto
	Utilizar protección para los ojos
	Utilizar protección para los oídos
	Utilizar guantes de protección
	Utilizar mascarilla ligera
	Clase de protección II (aislamiento doble)

1.4 Información del producto

Los productos han sido diseñados para usuarios profesionales y solo personal autorizado y debidamente formado puede utilizarlos y llevar a cabo su mantenimiento y conservación. Este personal debe estar especialmente instruido en lo referente a los riesgos de uso. La utilización del producto y sus dispositivos auxiliares puede conllevar riesgos para el usuario en caso de manejarse de forma inadecuada por personal no cualificado o utilizarse para usos diferentes a los que están destinados.

La denominación del modelo y el número de serie están indicados en la placa de identificación.



- Escriba el número de serie en la siguiente tabla. Necesitará los datos del producto para realizar consultas a nuestros representantes o al Departamento de Servicio Técnico.

Datos del producto

Taladradora	UD 16 UD 30
Generación:	01
Número de serie:	

2 Seguridad

2.1 Indicaciones generales de seguridad para herramientas eléctricas

⚠ ADVERTENCIA Lea con atención todas las indicaciones de seguridad, instrucciones, ilustraciones y datos técnicos correspondientes a esta herramienta eléctrica. La negligencia en el cumplimiento de las instrucciones que se describen a continuación podría provocar descargas eléctricas, incendios o lesiones graves.

Conservar todas las instrucciones e indicaciones de seguridad para futuras consultas.

El término «herramienta eléctrica» empleado en las indicaciones de seguridad se refiere a herramientas eléctricas portátiles, ya sea con cable de red o sin cable, en caso de ser accionadas por batería.

Seguridad en el puesto de trabajo

- **Mantenga su área de trabajo limpia y bien iluminada.** El desorden o una iluminación deficiente de las zonas de trabajo pueden provocar accidentes.
- **No utilice la herramienta eléctrica en un entorno con peligro de explosión en el que se encuentren líquidos, gases o polvos inflamables.** Las herramientas eléctricas producen chispas que pueden llegar a inflamar los materiales en polvo o vapores.
- **Mantenga alejados a los niños y otras personas de su puesto de trabajo al emplear la herramienta eléctrica.** Una distracción le puede hacer perder el control sobre la herramienta.

Seguridad eléctrica

- **El enchufe de la herramienta eléctrica debe corresponder a la toma de corriente utilizada. No se deberá modificar el enchufe en forma alguna. No utilice enchufes adaptadores para las herramientas eléctricas con puesta a tierra.** Los enchufes sin modificar adecuados a las respectivas tomas de corriente reducen el riesgo de descarga eléctrica.
- **Evite el contacto corporal con superficies que tengan puesta a tierra, como pueden ser tubos, calefacciones, cocinas y frigoríficos.** El riesgo a quedar expuesto a una sacudida eléctrica es mayor si su cuerpo tiene contacto con tierra.
- **No exponga las herramientas eléctricas a la lluvia y evite que penetren líquidos en su interior.** El riesgo de recibir descargas eléctricas aumenta si penetra agua en la herramienta eléctrica.
- **No utilice el cable de conexión para transportar o colgar la herramienta eléctrica ni tire de él para extraer el enchufe de la toma de corriente. Mantenga el cable de conexión alejado de fuentes de calor, aceite, aristas afiladas o piezas móviles.** Los cables de conexión dañados o enredados pueden provocar descargas eléctricas.
- **Cuando trabaje al aire libre con una herramienta eléctrica, utilice exclusivamente un alargador adecuado para exteriores.** La utilización de un alargador adecuado para su uso en exteriores evita el riesgo de una descarga eléctrica.
- **Cuando no pueda evitarse el uso de la herramienta eléctrica en un entorno húmedo, utilice un interruptor de corriente de defecto.** La utilización de un interruptor de corriente de defecto evita el riesgo de una descarga eléctrica.

Seguridad de las personas

- **Permanezca atento, preste atención durante el trabajo y utilice la herramienta eléctrica con prudencia. No utilice una herramienta eléctrica si está cansado, ni tampoco después de haber consumido alcohol, drogas o medicamentos.** Un momento de descuido al utilizar la herramienta eléctrica podría producir graves lesiones.
- **Utilice el equipo de seguridad personal adecuado y lleve siempre gafas protectoras.** El riesgo de lesiones se reduce considerablemente si, según el tipo y la aplicación de la herramienta eléctrica empleada, se utiliza un equipo de seguridad personal adecuado como una mascarilla antipolvo, zapatos de seguridad con suela antideslizante, casco de protección o protección para los oídos.
- **Evite una puesta en servicio fortuita de la herramienta. Asegúrese de que la herramienta eléctrica está apagada antes de alzarla, transportarla, conectarla a la toma de corriente o insertar la batería.** Si transporta la herramienta eléctrica sujetándola por el interruptor de conexión/desconexión



o si introduce el enchufe en la toma de corriente con la herramienta conectada, podría producirse un accidente.

- ▶ **Retire las herramientas de ajuste o llaves fijas antes de conectar la herramienta eléctrica.** Una herramienta o llave colocada en una pieza giratoria puede producir lesiones al ponerse en funcionamiento.
- ▶ **Evite adoptar posturas forzadas. Procure que la postura sea estable y manténgase siempre en equilibrio.** De esta forma podrá controlar mejor la herramienta eléctrica en caso de presentarse una situación inesperada.
- ▶ **Utilice ropa adecuada. No utilice vestimenta amplia ni joyas. Mantenga su pelo, vestimenta y guantes alejados de las piezas móviles.** La vestimenta suelta, las joyas y el pelo largo se pueden enganchar con las piezas en movimiento.
- ▶ **Siempre que sea posible montar equipos de aspiración o captación de polvo, asegúrese de que están conectados y de que se utilizan correctamente.** El uso de un sistema de aspiración de polvo reduce los riesgos derivados del polvo.
- ▶ **No se crea a salvo de cualquier riesgo ni pase por alto ninguna de las normas de seguridad relativas a las herramientas eléctricas, aun cuando esté familiarizado con la herramienta eléctrica y tenga larga experiencia en su uso.** Una actuación negligente puede provocar lesiones graves en cuestión de segundos.

Uso y manejo de la herramienta eléctrica

- ▶ **No sobrecargue la herramienta. Utilice la herramienta eléctrica adecuada para el trabajo que se dispone a realizar.** Con la herramienta eléctrica apropiada podrá trabajar mejor y de modo más seguro dentro del margen de potencia indicado.
- ▶ **No utilice herramientas eléctricas con el interruptor defectuoso.** Las herramientas eléctricas que no se puedan conectar o desconectar son peligrosas y deben repararse.
- ▶ **Extraiga el enchufe de la toma de corriente o retire la batería extraíble antes de efectuar cualquier ajuste en la herramienta, cambiar accesorios o en caso de no utilizar la herramienta durante un tiempo prolongado.** Esta medida preventiva evita el riesgo de arranque accidental de la herramienta eléctrica.
- ▶ **Guarde las herramientas eléctricas que no utilice fuera del alcance de los niños. No permita utilizar la herramienta a ninguna persona que no esté familiarizada con ella o que no haya leído este manual de instrucciones.** Las herramientas eléctricas utilizadas por personas inexpertas son peligrosas.
- ▶ **Cuide su herramienta eléctrica y los accesorios adecuadamente. Compruebe si las piezas móviles de la herramienta funcionan correctamente y sin atascarse, y si existen piezas rotas o deterioradas que pudieran afectar al funcionamiento de la herramienta eléctrica. Encargue la reparación de las piezas defectuosas antes de usar la herramienta eléctrica.** Muchos accidentes son consecuencia de un mantenimiento inadecuado de la herramienta eléctrica.
- ▶ **Mantenga los útiles limpios y afilados.** Las herramientas de corte bien cuidadas y con aristas afiladas se atascan menos y se guían con más facilidad.
- ▶ **Utilice la herramienta eléctrica, los accesorios, útiles de inserción, etc., de acuerdo con estas instrucciones. Para ello, tenga en cuenta las condiciones de trabajo y la tarea que se va a realizar.** El uso de herramientas eléctricas para trabajos diferentes de aquellos para los que han sido concebidas puede resultar peligroso.
- ▶ **Mantenga las empuñaduras y las superficies de contacto secas, limpias y sin residuos de aceite o grasa.** Las empuñaduras y superficies de contacto resbaladizas impiden manejar y controlar la herramienta eléctrica con seguridad en situaciones imprevistas.

Servicio Técnico

- ▶ **Solicite que un profesional lleve a cabo la reparación de su herramienta eléctrica y que utilice exclusivamente piezas de repuesto originales.** Solamente así se garantiza la seguridad de la herramienta eléctrica.

2.2 Indicaciones de seguridad para taladradoras

Indicaciones de seguridad para todos los trabajos

- ▶ **Utilice protección para los oídos al taladrar con percusión.** El ruido constante puede reducir la capacidad auditiva.
- ▶ **Utilice la empuñadura adicional.** La pérdida del control puede causar lesiones.
- ▶ **Sujete la herramienta eléctrica por las empuñaduras aisladas cuando realice trabajos en los que el útil de inserción o los tornillos pueden entrar en contacto con cables eléctricos ocultos o con el propio cable de conexión.** El contacto con los cables conductores puede traspasar la conductividad a las partes metálicas y producir descargas eléctricas.



Indicaciones de seguridad al utilizar la broca larga

- ▶ **No trabaje en ningún caso con una velocidad superior a la velocidad máxima permitida de la broca.** A velocidades elevadas, la broca se puede doblar un poco si gira libremente sin entrar en contacto con la pieza de trabajo, lo que puede provocar lesiones.
- ▶ **Inicie el proceso de perforación siempre con velocidad baja y mientras la broca esté en contacto con la pieza de trabajo.** A velocidades elevadas, la broca se puede doblar un poco si gira libremente sin entrar en contacto con la pieza de trabajo, lo que puede provocar lesiones.
- ▶ **No aplique una presión excesiva y solo en sentido longitudinal respecto a la broca.** Las brocas pueden doblarse y, por consiguiente, romperse o provocar la pérdida del control e incluso lesiones.

Indicaciones de seguridad al utilizar agitadores y mezcladores

- ▶ **Encienda o apague la herramienta eléctrica solo cuando el mezclador se encuentre introducido en el material que se va a mezclar.** De lo contrario, puede producirse una pérdida de control y haber riesgo de lesiones.

2.3 Indicaciones de seguridad adicionales**Seguridad de las personas**

- ▶ **Utilice la herramienta solo si está en perfecto estado técnico.**
- ▶ **No efectúe nunca manipulaciones o modificaciones en la herramienta.**
- ▶ **Sujete siempre la herramienta con ambas manos por las empuñaduras previstas. Mantenga las empuñaduras secas, limpias y sin residuos de aceite o grasa.**
- ▶ **Retire siempre hacia atrás el cable eléctrico y el alargador durante el trabajo.** De esta forma se evita el peligro de tropiezo por culpa del cable.
- ▶ Utilice un sistema de aspiración de polvo, una mascarilla y unas gafas protectoras. El polvo resultante puede dañar los pulmones y los ojos.
- ▶ **Efectúe pausas durante el trabajo, así como ejercicios de relajación y estiramiento de los dedos para mejorar la circulación de estos.**
- ▶ El polvo procedente de materiales como pinturas con plomo, determinadas maderas, hormigón/mampostería/rocas con cuarzo, así como minerales y metal puede ser nocivo para la salud. El contacto con el polvo o su inhalación puede provocar reacciones alérgicas o asfixia al usuario o a personas que se encuentren en su entorno. Existen determinados tipos de polvo, como puede ser el de roble o el de haya, catalogados como cancerígenos, especialmente si se encuentran mezclados con aditivos usados en el tratamiento de la madera (cromato, agente protector para la madera). Únicamente expertos cualificados están autorizados a manipular materiales que contengan asbesto. **Utilice siempre que sea posible un aspirador de polvo. Para lograr un alto grado de aspiración del polvo, utilice un aspirador de polvo portátil apropiado. Utilice una mascarilla adecuada para cada clase de polvo. Procure una buena ventilación del lugar de trabajo. Respete la normativa vigente en su país concerniente al procesamiento de los materiales de trabajo.**
- ▶ La herramienta no es adecuada para personas con poca fuerza a las que no se haya instruido. Mantenga la herramienta fuera del alcance de los niños.
- ▶ Es conveniente advertir a los niños de que no deben jugar con la herramienta.

Seguridad eléctrica

- ▶ **Compruebe con regularidad el cable de conexión de la herramienta y, en caso de que presentara daños, encargue su sustitución a un profesional experto en la materia. Si el cable de conexión de la herramienta eléctrica está dañado, debe reemplazarse por un cable especial homologado que encontrará en nuestro Servicio Posventa. Inspeccione regularmente los alargadores y sustitúyalos en caso de que estuvieran dañados. Si se daña el cable de red o el alargador durante el trabajo, evite tocar el cable. Extraiga el enchufe de red de la toma de corriente.** Los cables de conexión y los alargadores dañados suponen un peligro, pues pueden ocasionar una descarga eléctrica.
- ▶ **Si se produce una interrupción de la corriente, desconecte la herramienta eléctrica y extraiga el enchufe de red para evitar que se ponga en marcha accidentalmente cuando vuelva la corriente.**
- ▶ **Encargue una revisión periódica de la herramienta al Servicio Técnico Hilti en caso de tratar con frecuencia materiales conductores.** El polvo adherido en la superficie de la herramienta, sobre todo el de los materiales conductivos, o la humedad pueden provocar descargas eléctricas en condiciones desfavorables.

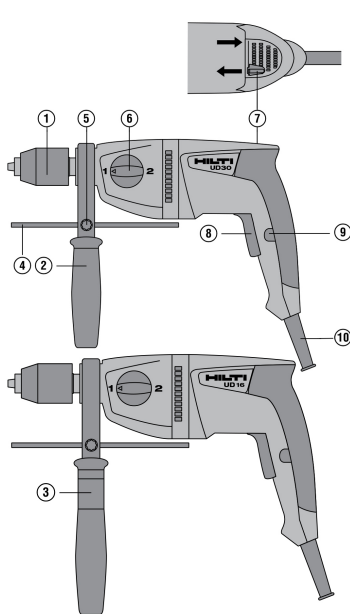
Manipulación y utilización segura de las herramientas eléctricas

- ▶ **Fije la pieza de trabajo.** Las piezas de trabajo se sujetan de forma más segura mediante un dispositivo de sujeción o un tornillo de banco que sujetándolas solo con la mano.
- ▶ **Utilice los guantes de protección para el cambio de útil, ya que este se calienta debido al uso.**



3 Descripción

3.1 Vista general del producto



- ① Portabrocas de sujeción rápida o de corona dentada
- ② Empuñadura lateral
- ③ Casquillo (solo UD 16)
- ④ Tope de profundidad
- ⑤ Tornillo de fijación para tope de profundidad
- ⑥ Interruptor selector de funciones
- ⑦ Conmutador de giro a la derecha/izquierda
- ⑧ Conmutador de control con control electrónico de velocidad
- ⑨ Botón de fijación para marcha continua
- ⑩ Cable de red

3.2 Uso conforme a las prescripciones

El producto es una taladradora accionada eléctricamente de guiado manual. Es apta para taladrar en madera y metal, así como para atornillar y, en determinadas condiciones, también es apta para mezclar.

3.3 Posibles usos indebidos

- Este producto no está indicado para el tratamiento de materiales nocivos para la salud.
- Este producto no es apropiado para su uso en entornos húmedos.

3.4 Suministro

Taladradora, empuñadura lateral, tope de profundidad, llave de portabrocas, manual de instrucciones.



Encontrará otros productos del sistema autorizados para su producto en su **Hilti Store** o en Internet, en: www.hilti.group

4 Datos técnicos



La tensión nominal, la intensidad nominal, la frecuencia y/o la potencia nominal figuran en la placa de identificación específica del país.

Si se utiliza con un generador o transformador, la potencia útil debe ser al menos el doble de la potencia nominal indicada en la placa de identificación de la herramienta. La tensión de servicio del transformador o del generador debe encontrarse en todo momento entre un +5 % y un -15 % de la tensión nominal de la herramienta.



	UD 16	UD 30
Número de revoluciones de la 1.ª velocidad	900 rpm (15,0 Hz)	1.200 rpm (20,0 Hz)
Número de revoluciones de la 2.ª velocidad	2.500 rpm (41,7 Hz)	3.300 rpm (55,0 Hz)
Par de giro máximo, 1.ª velocidad	80 Nm (59 ftlb _i)	51 Nm (38 ftlb _i)
Par de giro máximo, 2.ª velocidad	29 Nm (21 ftlb _i)	18,5 Nm (13,6 ftlb _i)
Diámetro del portaútiles	2 mm ... 13 mm	2 mm ... 13 mm

5 Datos técnicos

La tensión nominal, la intensidad nominal, la frecuencia y/o la potencia nominal figuran en la placa de identificación específica del país.

Si se utiliza con un generador o transformador, la potencia útil debe ser al menos el doble de la potencia nominal indicada en la placa de identificación de la herramienta. La tensión de servicio del transformador o del generador debe encontrarse en todo momento entre un +5 % y un -15 % de la tensión nominal de la herramienta.

	UD 16	UD 30
Peso	2,6 kg (5,7 lb)	2,5 kg (5,5 lb)

5.1 Uso de alargadores

ADVERTENCIA

Peligro por los cables dañados. Si se daña el cable de red o el alargador durante el trabajo, evitar tocar el cable. Extraer el enchufe de red de la toma de corriente.

- ▶ Compruebe con regularidad el cable de conexión de la herramienta y, en caso de que presentara daños, encargue su sustitución a un profesional experto en la materia.
- Utilice solo el alargador autorizado con sección de cable suficiente para el campo de aplicación. De lo contrario, puede generarse una pérdida de potencia de la herramienta y un sobrecalentamiento del cable.
- Compruebe regularmente que el alargador no haya sufrido daños.
- Sustituir los alargadores dañados.
- Al trabajar al aire libre, utilice únicamente alargadores autorizados que estén correspondientemente identificados.

Secciones mínimas recomendadas y longitudes máximas del cable con una tensión de alimentación de 120 V

Cable	AWG 16	AWG 14	AWG 12
Longitud del cable UD 16	50 ft	100 ft	150 ft
Longitud del cable UD 30	50 ft	125 ft	200 ft

6 Manejo

6.1 Preparación del trabajo

PRECAUCIÓN

Riesgo de lesiones. Arranque involuntario del producto.

- ▶ Extraiga el enchufe de red antes de realizar ajustes en la herramienta o de cambiar accesorios.

Respete las indicaciones de seguridad y las advertencias presentes en esta documentación y en el producto.



6.1.1 Montaje y ajuste de la empuñadura lateral 2

1. Gire la empuñadura para soltar el soporte (banda de sujeción) de la empuñadura lateral.



En la UD 16, debe asegurarse de que está montado el casquillo en la empuñadura lateral.

2. Deslice el soporte (banda de sujeción) desde delante a través del portaútiles hasta la ranura prevista para ello.
3. Coloque la empuñadura lateral en la posición deseada guiándose por las ranuras preestablecidas.



Asegúrese de que las nervaduras de la banda de sujeción encajan en las ranuras del cuello de engranaje.

Si la empuñadura lateral se desliza en la superficie de trabajo tras producirse un bloqueo, compruebe el encaje/las nervaduras del cuello del engranaje. Solicite la reparación de las piezas defectuosas. De lo contrario, la empuñadura lateral no podrá absorber los pares de giro.

4. Gire la empuñadura para fijar el soporte (banda de sujeción) de la empuñadura lateral.

6.1.2 Montaje y ajuste del tope de profundidad 3

1. Afloje el tornillo de fijación.
2. Introduzca el tope de profundidad en el orificio previsto para ello.
3. Coloque el tope de profundidad a la profundidad de perforación deseada.
4. Apriete el tornillo de fijación del tope de profundidad.

6.1.3 Desmontaje del alojamiento de cierre rápido 4

1. Coloque la llave de boca SW 17 en la superficie prevista para llaves del husillo de la herramienta.
2. Coloque una llave de boca SW 19 en la cabeza hexagonal del alojamiento de cierre rápido.
3. Gire la llave de boca SW 19 en sentido contrario a las agujas del reloj.
 - ▶ El alojamiento de cierre rápido se desenrosca del husillo de la herramienta.

6.1.4 Montaje del alojamiento de cierre rápido

1. Atornille el alojamiento de cierre rápido a mano hasta el tope del husillo de la herramienta.
2. Coloque la llave de boca SW 17 en la superficie prevista para llaves del husillo de la herramienta.
3. Coloque una llave de boca SW 19 en la cabeza hexagonal del alojamiento de cierre rápido.
 - ▶ Apriétela con el par de apriete de 120 Nm especificado.

6.1.5 Desmontaje del portabrocas de corona dentada 5

1. Monte el útil hexagonal en el portabrocas de corona dentada.
2. Fije el útil hexagonal con ayuda de la llave de portabrocas.
3. Coloque la llave de boca SW 17 en la superficie prevista para llaves del husillo de la herramienta.
4. Coloque una llave adecuada en el útil hexagonal.
5. Gire la llave de boca SW 19 en sentido contrario a las agujas del reloj.
 - ▶ El portabrocas de corona dentada se desatornilla del husillo de la herramienta.

6.1.6 Montaje del portabrocas de corona dentada

1. Monte el útil hexagonal en el portabrocas de corona dentada.
2. Fije el útil hexagonal con ayuda de la llave de portabrocas.
3. Atornille manualmente el portabrocas de corona dentada a mano hasta el tope del husillo de la herramienta.
4. Coloque la llave de boca SW 17 en la superficie prevista para llaves del husillo de la herramienta.
5. Coloque una llave adecuada en el útil hexagonal.
6. Apriétela con el par de apriete de 120 Nm especificado.

6.1.7 Colocación de útil en alojamiento de cierre rápido 6

1. Gire el casquillo de bloqueo del alojamiento de cierre rápido en sentido contrario a las agujas del reloj.



Primero, se suelta el bloqueo automáticamente.

2. Siga girando el casquillo hasta que se suelta el útil.



6.1.8 Extracción del útil del alojamiento de cierre rápido

1. Abra el alojamiento de cierre rápido hasta que pueda colocar el vástago del útil.
2. Fije el útil girando el casquillo en sentido horario hasta que el alojamiento de cierre rápido se enclave automáticamente.



Cuando se enclava, pueden oírse claramente varios clics.

6.1.9 Colocación del útil en el portabrocas de corona dentada

1. Abra el alojamiento de cierre rápido hasta que pueda colocar el vástago del útil.
2. Inserte el útil.
3. Cierre el portabrocas de corona dentada girando el anillo dentado.
4. Inserte la llave de portabrocas en uno de los tres orificios del portabrocas de corona dentada.
5. Para fijar el útil gire la llave de portabrocas en sentido horario.
6. Desmonte la llave de portabrocas.

6.1.10 Extracción del útil del portabrocas de corona dentada

1. Inserte la llave de portabrocas en uno de los tres orificios del portabrocas de corona dentada.
2. Para abrir la llave de portabrocas, gírela en sentido contrario a las agujas del reloj.
3. Extraiga el útil.
4. Desmonte la llave de portabrocas.

6.2 Procedimiento de trabajo

6.2.1 Conexión y desconexión de la marcha continua



La taladradora puede ajustarse en marcha continua con el botón de fijación para no tener que pulsar el conmutador de control permanentemente.

1. Pulse y mantenga pulsado el conmutador de control.
2. Pulse y mantenga pulsado el botón de fijación.
3. Suelte el conmutador de control.
4. Suelte el botón de fijación.
5. Para apagar la marcha continua, pulse y vuelva a soltar el conmutador de control.

6.2.2 Ajuste del giro a la derecha o a la izquierda



El interruptor de conmutación derecha/izquierda no se debe accionar durante el funcionamiento.
¡Peligro de daños!

- ▶ Ajuste el conmutador de giro a la derecha/izquierda en la posición de giro deseada.

6.2.3 Taladrar en 1.ª y 2.ª velocidad

- ▶ Sitúe el interruptor selector de funciones en la posición «Taladrar en primera velocidad» o «Taladrar en segunda velocidad».



En caso necesario, debe girarse ligeramente el husillo.

6.2.4 Mezclado

- ▶ Ajuste el interruptor selector de funciones en la posición «Taladrar en primera velocidad».



En caso necesario, debe girarse ligeramente el husillo.

6.2.5 Atornillado

1. Ajuste el conmutador de giro a la derecha/izquierda en la posición de giro deseada.



2. Sitúe el interruptor selector de funciones en la posición «Taladrar en primera velocidad» o «Taladrar en segunda velocidad».



En caso necesario, debe girarse ligeramente el husillo.

7 Cuidado y mantenimiento



ADVERTENCIA

Peligro de descarga eléctrica. La realización de tareas de cuidado y mantenimiento con el enchufe conectado a la toma de corriente de puede provocar lesiones y quemaduras graves.

- ▶ Extraiga siempre el enchufe de la toma de corriente antes de realizar cualquier tarea de cuidado y mantenimiento.

Cuidado

- Retire con cuidado la suciedad fuertemente adherida.
- Limpie cuidadosamente las rejillas de ventilación con un cepillo seco.
- Limpie la carcasa utilizando únicamente un paño ligeramente humedecido. No utilice limpiadores que contengan silicona, ya que podría afectar a las piezas de plástico.

Mantenimiento



ADVERTENCIA

Riesgo de descarga eléctrica. Las reparaciones indebidas en componentes eléctricos pueden producir lesiones graves y quemaduras.

- ▶ Las reparaciones de la parte eléctrica sólo puede llevarlas a cabo un técnico electricista cualificado.
- Compruebe con regularidad si las piezas visibles están dañadas o si los elementos de manejo funcionan correctamente.
- No utilice el producto si presenta daños o fallos que afecten al funcionamiento. Llévela de inmediato al Servicio Técnico de **Hilti** para que la reparen.
- Coloque todos los dispositivos de protección después de las tareas de cuidado y mantenimiento y compruebe su correcto funcionamiento.



Para garantizar un correcto funcionamiento, utilice exclusivamente piezas de repuesto y material de consumo originales. Puede encontrar piezas de repuesto, consumibles y accesorios para su producto que nosotros mismos comercializamos en **Hilti Store** o en: www.hilti.group.

8 Transporte y almacenamiento

Transporte

- ▶ No transporte este producto con el útil insertado.
- ▶ Asegúrese de que durante el transporte esté bien sujeto.
- ▶ Compruebe tras cada transporte si las piezas visibles están dañadas o si los elementos de manejo funcionan correctamente.

Almacenamiento

- ▶ Almacene este producto siempre con los enchufes desconectados.
- ▶ Guarde este producto en un lugar seco y fuera del alcance de niños y personas no autorizadas.
- ▶ Cuando lleve mucho tiempo almacenado, compruebe si las piezas visibles están dañadas y si los elementos de manejo funcionan correctamente.

9 Ayuda en caso de averías

Si se producen averías que no estén incluidas en esta tabla o que no pueda solucionar usted, diríjase al Servicio Técnico de **Hilti**.



9.1 Localización de averías

Anomalía	Posible causa	Solución
La herramienta no se pone en marcha.	Suministro de corriente interrumpido	► Conecte otra herramienta eléctrica y compruebe si funciona.
	Cable de red o enchufe defectuosos.	► Encargue la revisión a personal técnico cualificado y su sustitución en caso necesario.
	Error electrónico.	► Encargue la revisión al personal técnico cualificado y su sustitución en caso necesario.
La herramienta no alcanza su máxima potencia.	El alargador tiene una sección insuficiente.	► Utilice un alargador con sección suficiente.
	Conmutador de control no pulsado del todo.	► Presione el conmutador de control hasta el tope.
La broca no arranca material.	La herramienta está ajustada en giro a la izquierda.	► Conmute la herramienta a giro a la derecha.
	La broca está desafilada o dañada.	► Rectifique la broca o sustitúyala.
La broca no gira.	El portabrocas no está apretado correctamente.	► Apriete el portabrocas.

10 Reciclaje

Las herramientas Hilti están fabricadas en su mayor parte con materiales reutilizables. La condición para dicha reutilización es una separación adecuada de los materiales. En muchos países, Hilti recoge las herramientas usadas para su recuperación. Pregunte en el Servicio de Atención al Cliente de Hilti o a su asesor de ventas.



- No deseche las herramientas eléctricas, los aparatos eléctricos ni las baterías junto con los residuos domésticos.

11 Garantía del fabricante

- Si tiene alguna consulta acerca de las condiciones de la garantía, póngase en contacto con su sucursal local de Hilti.

Manual de instruções original

1 Indicações sobre a documentação

1.1 Sobre esta documentação

- Antes da colocação em funcionamento, leia esta documentação. Esta é a condição para um trabalho seguro e um manuseamento sem problemas.
- Tenha em atenção as instruções de segurança e as advertências nesta documentação e no produto.
- Guarde o manual de instruções sempre junto do produto e entregue-o a outras pessoas apenas juntamente com este manual.

1.2 Explicação dos símbolos

1.2.1 Advertências

As advertências alertam para perigos durante a utilização do produto. São utilizadas as seguintes palavras de aviso:



PERIGO

PERIGO !

- ▶ Indica perigo iminente que pode originar acidentes pessoais graves ou até mesmo fatais.

AVISO

AVISO !

- ▶ Indica um possível perigo que pode causar graves ferimentos pessoais, até mesmo fatais.

CUIDADO

CUIDADO !

- ▶ Indica uma situação potencialmente perigosa que pode originar ferimentos corporais ou danos materiais.

1.2.2 Símbolos no manual de instruções

Neste manual de instruções são utilizados os seguintes símbolos:

	Consultar o manual de instruções
	Instruções de utilização e outras informações úteis
	Manuseamento com materiais recicláveis
	Não deitar as ferramentas eléctricas e baterias no lixo doméstico

1.2.3 Símbolos nas figuras

Em figuras são utilizados os seguintes símbolos:

	Estes números remetem para a figura respectiva no início do presente manual de instruções.
	A numeração reproduz uma sequência dos passos de trabalho na imagem e pode divergir dos passos de trabalho no texto.
	Na figura Vista geral são utilizados números de posição que fazem referência aos números da legenda na secção Vista geral do produto .
	Este símbolo pretende despertar a sua atenção durante o manuseamento do produto.

1.3 Símbolos dependentes do produto

1.3.1 Símbolos no produto

No produto são utilizados os seguintes símbolos:

	Perfurar 1.ª velocidade
	Perfurar 2.ª velocidade
	Rotação direita / esquerda
	Rotações por minuto
	Use óculos de proteção
	Use proteção auricular
	Use luvas de proteção
	Use máscara antipoeiras
	Classe II de protecção (com duplo isolamento)



1.4 Dados informativos sobre o produto

Os produtos destinam-se ao utilizador profissional e só podem ser operados, mantidos e reparados por pessoal autorizado, devidamente qualificado. Estas pessoas deverão estar informadas em particular sobre os potenciais perigos. O produto e seu equipamento auxiliar podem representar perigo se usados incorrectamente por pessoas não qualificadas ou se usados para fins diferentes daqueles para os quais foram concebidos.

A designação e o número de série são indicados na placa de características.

- ▶ Registe o número de série na tabela seguinte. Precisa dos dados do produto para colocar questões ao nosso representante ou posto de serviço de atendimento aos clientes.

Dados do produto

Berbequim	UD 16 UD 30
Geração:	01
N.º de série:	

2 Segurança

2.1 Normas de segurança gerais para ferramentas eléctricas

⚠ AVISO Leia todas as normas de segurança, instruções, imagens e dados técnicos, com os quais esta ferramenta eléctrica está equipada. O não cumprimento das instruções a seguir pode resultar em choque eléctrico, incêndio e/ou ferimentos graves.

Guarde bem todas as normas de segurança e instruções para futura referência.

O termo “ferramenta eléctrica” utilizado nas normas de segurança refere-se a ferramentas com ligação à corrente eléctrica (com cabo de alimentação) ou a ferramentas a bateria (sem cabo).

Segurança no posto de trabalho

- ▶ **Mantenha a sua área de trabalho limpa e bem iluminada.** Locais desarrumados ou mal iluminados podem ocasionar acidentes.
- ▶ **Não utilize a ferramenta eléctrica em ambientes explosivos ou na proximidade de líquidos ou gases inflamáveis.** Ferramentas eléctricas produzem faíscas que podem provocar a ignição de pó e vapores.
- ▶ **Mantenha crianças e terceiros afastados durante os trabalhos.** Distracções podem conduzir à perda de controlo sobre a ferramenta.

Segurança eléctrica

- ▶ **A ficha da ferramenta eléctrica deve servir na tomada. A ficha não deve ser modificada de modo algum. Não utilize quaisquer adaptadores com ferramentas eléctricas com ligação terra.** Fichas originais (não modificadas) e tomadas adequadas reduzem o risco de choque eléctrico.
- ▶ **Evite o contacto do corpo com superfícies ligadas à terra, como, por exemplo, canos, radiadores, fogões e frigoríficos.** Existe um risco elevado de choque eléctrico se o corpo estiver com ligação à terra.
- ▶ **As ferramentas eléctricas não devem ser expostas à chuva nem à humidade.** A infiltração de água numa ferramenta eléctrica aumenta o risco de choque eléctrico.
- ▶ **Não use o cabo de ligação para transportar, pendurar ou desligar a ferramenta eléctrica da tomada. Mantenha o cabo de ligação afastado de calor, óleo, arestas vivas ou partes em movimento.** Cabos de ligação danificados ou emaranhados aumentam o risco de choque eléctrico.
- ▶ **Quando operar uma ferramenta eléctrica ao ar livre, utilize apenas cabos de extensão próprios para utilização no exterior.** A utilização de um cabo de extensão próprio para utilização no exterior reduz o risco de choques eléctricos.
- ▶ **Utilize um disjuntor diferencial se não puder ser evitada a utilização da ferramenta eléctrica em ambiente húmido.** A utilização de um disjuntor diferencial reduz o risco de choque eléctrico.

Segurança física

- ▶ **Esteja alerta, observe o que está a fazer, e tenha prudência ao trabalhar com uma ferramenta eléctrica. Se estiver cansado ou sob influência de drogas, álcool ou medicamentos não efectue nenhum trabalho com ferramentas eléctricas.** Um momento de distracção ao operar a ferramenta eléctrica pode causar ferimentos graves.
- ▶ **Use equipamento de segurança. Use sempre óculos de protecção.** Equipamento de segurança, como, por exemplo, máscara antipoeiras, sapatos de segurança antiderrapantes, capacete de segurança ou protecção auricular, de acordo com o tipo e aplicação da ferramenta eléctrica, reduzem o risco de lesões.



- ▶ **Evite um arranque involuntário. Assegure-se de que a ferramenta eléctrica está desligada antes de a ligar à fonte de alimentação e/ou à bateria, pegar nela ou a transportar.** Transportar a ferramenta eléctrica com o dedo no interruptor ou ligar uma ferramenta à tomada com o interruptor ligado (ON) pode resultar em acidentes.
- ▶ **Remova quaisquer chaves de ajuste (chaves de fenda), antes de ligar a ferramenta eléctrica.** Um acessório ou chave deixado preso numa parte rotativa da ferramenta pode causar ferimentos.
- ▶ **Evite posturas corporais desfavoráveis. Mantenha sempre uma posição correcta, em perfeito equilíbrio.** Desta forma será mais fácil manter o controlo sobre a ferramenta eléctrica em situações inesperadas.
- ▶ **Use roupa apropriada. Não use roupa larga ou jóias. Mantenha o cabelo, vestuário e luvas afastados das peças móveis.** Roupas largas, jóias ou cabelos compridos podem ficar presos nas peças móveis.
- ▶ **Se poderem ser montados sistemas de remoção e de recolha de pó, assegure-se de que estes estão ligados e são utilizados correctamente.** A utilização de um sistema de remoção de pó pode reduzir os perigos relacionados com a exposição ao mesmo.
- ▶ **Não se acomode numa falsa sensação de segurança e não ignore os regulamentos de segurança para ferramentas eléctricas, mesmo se estiver familiarizado com a ferramenta eléctrica após numerosas utilizações.** Agir de forma descuidada pode causar ferimentos graves dentro duma fracção de segundo.

Utilização e manuseamento da ferramenta eléctrica

- ▶ **Não sobrecarregue a ferramenta. Use para o seu trabalho a ferramenta eléctrica correcta.** Com a ferramenta eléctrica adequada obterá maior eficiência e segurança se respeitar os seus limites.
- ▶ **Não utilize a ferramenta eléctrica se o interruptor estiver defeituoso.** Uma ferramenta eléctrica que já não possa ser accionada pelo interruptor é perigosa e deve ser reparada.
- ▶ **Retire a ficha da tomada e/ou remova uma bateria amovível antes de efectuar ajustes na ferramenta, substituir acessórios ou guardar a ferramenta.** Esta medida preventiva evita o accionamento accidental da ferramenta eléctrica.
- ▶ **Guarde ferramentas eléctricas não utilizadas fora do alcance das crianças. Não permita que a ferramenta seja utilizada por pessoas não familiarizadas com a mesma ou que não tenham lido estas instruções.** Ferramentas eléctricas operadas por pessoas não treinadas são perigosas.
- ▶ **Faça uma manutenção regular de ferramentas eléctricas e acessórios. Verifique se as partes móveis funcionam perfeitamente e não emperram ou se há peças quebradas ou danificadas que possam influenciar o funcionamento da ferramenta eléctrica. Peças danificadas devem ser reparadas antes da utilização da ferramenta.** Muitos acidentes são causados por ferramentas eléctricas com manutenção deficiente.
- ▶ **Mantenha as ferramentas de corte sempre afiadas e limpas.** Acessórios com gumes afiados tratados correctamente emperram menos e são mais fáceis de controlar.
- ▶ **Utilize a ferramenta eléctrica, acessórios, bits, etc., de acordo com estas instruções. Tome também em consideração as condições de trabalho e o trabalho a ser efectuado.** A utilização da ferramenta eléctrica para outros fins além dos previstos, pode ocasionar situações de perigo.
- ▶ **Mantenha punhos e respectivas superfícies secos, limpos e isentos de óleo e gordura.** Punhos e superfícies afins escorregadios não permitem um manuseamento e controlo seguro da ferramenta eléctrica em situações imprevisíveis.

Manutenção

- ▶ **A sua ferramenta eléctrica só deve ser reparada por pessoal qualificado e só devem ser utilizadas peças sobressalentes originais.** Isto assegurará que a segurança da ferramenta eléctrica se mantenha.

2.2 Normas de segurança para berbequins

Indicações de segurança para todos os trabalhos

- ▶ **Ao furar com percussão, use protecção auricular.** Ruído em excesso pode levar à perda de audição.
- ▶ **Utilize o punho adicional.** A perda de controlo da ferramenta pode causar ferimentos.
- ▶ **Segure a ferramenta eléctrica pelas áreas isoladas dos punhos quando realizar trabalhos onde o acessório ou os parafusos podem encontrar cabos eléctricos encobertos ou o próprio cabo de ligação.** O contacto com um cabo sob tensão também pode colocar partes metálicas da ferramenta sob tensão e causar um choque eléctrico.

Indicações de segurança em caso de utilização de brocas compridas

- ▶ **Não trabalhe, em caso algum, com uma velocidade de rotação maior do que a máxima velocidade admissível para a broca.** Se trabalhar com velocidades maiores, a broca poderá deformar-se



ligeiramente, se poder rodar livremente, sem contacto com a peça a trabalhar, dando origem a ferimentos.

- ▶ **Inicie o processo de perfuração sempre a baixas rotações e enquanto a broca estiver em contacto com a peça a trabalhar.** Se trabalhar com velocidades maiores, a broca poderá deformar-se ligeiramente, se poder rodar livremente, sem contacto com a peça a trabalhar, dando origem a ferimentos.
- ▶ **Não aplique uma pressão excessiva e apenas no sentido longitudinal relativamente à broca.** As brocas podem deformar-se e, deste modo, partir ou originar uma perda de controlo, dando origem a ferimentos.

Indicações de segurança em caso de utilização de agitadores helicoidais

- ▶ **Ligue ou desligue a ferramenta elétrica apenas quando o agitador helicoidal se encontrar dentro do material a misturar.** Caso contrário, poderá ocorrer uma perda do controlo e, desse modo, um risco de ferimentos.

2.3 Normas de segurança adicionais

Segurança física

- ▶ **Utilize a ferramenta apenas em perfeitas condições técnicas.**
- ▶ **Nunca efectue quaisquer manipulações ou modificações na ferramenta.**
- ▶ **Segure a ferramenta sempre com as duas mãos nos punhos previstos para o efeito. Mantenha os punhos secos, limpos e isentos de óleos e massas.**
- ▶ **Durante o trabalho, mantenha o cabo de alimentação e a extensão sempre na parte de trás da ferramenta.** Evita, assim, tropeçar no cabo durante os trabalhos.
- ▶ Utilize um sistema de aspiração de pó, uma máscara antipoeiras e uns óculos de protecção. O pó produzido ao lixar pode causar danos aos pulmões e olhos.
- ▶ **Faça pausas durante o trabalho para relaxar os músculos e melhorar a circulação sanguínea nos dedos.**
- ▶ Pós de materiais, como tinta com chumbo, algumas madeiras, betão/alvenaria/rochas quartzíferas, minerais e metal podem ser nocivos. O contacto ou a inalação do pó podem provocar reacções alérgicas e/ou doenças das vias respiratórias no utilizador ou em pessoas que se encontrem nas proximidades. Determinados pós, como os de carvalho ou de faia, são considerados cancerígenos, especialmente em combinação com aditivos para o tratamento de madeiras (cromato, produtos para a preservação de madeiras). Material que contenha amianto só pode ser manuseado por pessoal especializado. **Se possível, utilize um aspirador de pó. Para alcançar um elevado grau de remoção de pó, utilize um aspirador móvel. Se necessário, utilize uma máscara antipoeiras adequada ao respectivo pó. Assegure-se de que o local de trabalho está bem ventilado. Respeite as regulamentações em vigor no seu país relativas aos materiais a trabalhar.**
- ▶ A ferramenta não foi concebida para pessoas debilitadas, sem formação. Mantenha a ferramenta fora do alcance das crianças.
- ▶ Deve ensinar-se às crianças que não podem brincar com a ferramenta.

Segurança eléctrica

- ▶ **Verifique o cabo de conexão regularmente. Se danificado, deve ser imediatamente substituído por um especialista reconhecido. Quando o cabo de conexão da ferramenta eléctrica está danificado, deve ser substituído por um cabo de conexão específico e aprovado, que se encontra disponível através do Serviço de Clientes Hilti. Verifique as extensões de cabo regularmente. Se estiverem danificadas, deverão ser substituídas. Se danificar o cabo ou a extensão enquanto trabalha, não lhe toque. Retire a ficha de rede da tomada.** Cabos de conexão e extensões danificados representam um risco de choque eléctrico.
- ▶ **Em caso de falha eléctrica desligue a ferramenta eléctrica e retire a ficha de rede, de modo a evitar uma colocação inadvertida em funcionamento quando a energia for restabelecida.**
- ▶ **Deste modo, as ferramentas utilizadas frequentemente para trabalhar materiais condutores e, consequentemente, muito sujas, devem ser verificadas regularmente num Centro de Assistência Técnica Hilti.** Humidade ou sujidade na superfície da ferramenta dificultam o seu manuseio e, sob condições desfavoráveis, podem causar choques eléctricos.

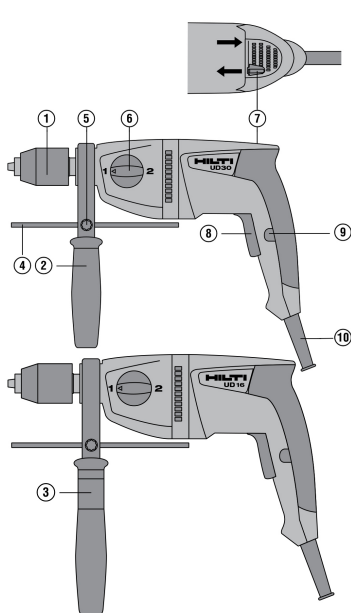
Utilização e manutenção de ferramentas eléctricas

- ▶ **Fixe a peça a trabalhar. Uma peça a trabalhar fixada com grampos ou num torno de bancada fica mais segura do que apenas com a mão.**
- ▶ **Para a substituição de acessórios, use luvas de protecção, pois estes aquecem durante a utilização.**



3 Descrição

3.1 Vista geral do produto



- ① Mandril de aperto rápido ou mandril de coroa dentada
- ② Punho auxiliar
- ③ Casquilho (apenas UD 16)
- ④ Limitador de profundidade
- ⑤ Parafuso de fixação para limitador de profundidade
- ⑥ Selector de funções
- ⑦ Comutador de rotação para a direita/esquerda
- ⑧ Interruptor on/off com regulação electrónica da velocidade
- ⑨ Botão de bloqueio para operação continuada
- ⑩ Cabo de alimentação

3.2 Utilização correcta

O produto é um berbequim eléctrico de utilização manual. É adequado para furar em madeira e metal, para aparafusar e, em determinadas condições, para agitar.

3.3 Possível uso incorrecto

- Este produto não é adequado para trabalhar materiais nocivos para a saúde.
- Este produto não é adequado para a realização de trabalhos num ambiente húmido.

3.4 Incluído no fornecimento

Berbequim, punho auxiliar, limitador de profundidade, chave do mandril de perfuração, manual de instruções.



Poderá encontrar outros produtos de sistema aprovados para o seu produto na sua **Hilti Store** ou em: www.hilti.group

4 Características técnicas



Consulte a tensão nominal, corrente nominal, frequência e/ou potência nominal na sua placa de características específica do país.

Em caso de alimentação por um gerador ou transformador, a respectiva potência de saída deverá ter, no mínimo, o dobro da potência nominal indicada na placa de características da ferramenta. A tensão de serviço do transformador ou gerador deverá encontrar-se sempre entre +5% e -15% da tensão nominal da ferramenta.



	UD 16	UD 30
Número de rotações 1.ª velocidade	900 rpm (15,0 Hz)	1 200 rpm (20,0 Hz)
Número de rotações 2.ª velocidade	2 500 rpm (41,7 Hz)	3 300 rpm (55,0 Hz)
Binário máximo 1.ª velocidade	80 Nm (59 ftlb _i)	51 Nm (38 ftlb _i)
Binário máximo 2.ª velocidade	29 Nm (21 ftlb _i)	18,5 Nm (13,6 ftlb _i)
Diâmetro do mandril	2 mm ... 13 mm	2 mm ... 13 mm

5 Características técnicas

Consulte a tensão nominal, corrente nominal, frequência e/ou potência nominal na sua placa de características específica do país.

Em caso de alimentação por um gerador ou transformador, a respectiva potência de saída deverá ter, no mínimo, o dobro da potência nominal indicada na placa de características da ferramenta. A tensão de serviço do transformador ou gerador deverá encontrar-se sempre entre +5% e -15% da tensão nominal da ferramenta.

	UD 16	UD 30
Peso	2,6 kg (5,7 lb)	2,5 kg (5,5 lb)

5.1 Utilização de extensões de cabo

AVISO

Perigo devido a cabo danificado! Se danificar o cabo enquanto trabalha, não lhe toque e desligue o aparelho imediatamente. Retire a ficha de rede da tomada.

- ▶ Verifique o cabo eléctrico regularmente. Se danificado, deve ser imediatamente substituído por um especialista.
- Utilize apenas cabos de extensão aprovados para o tipo de aplicação em causa e com a secção transversal adequada. A inobservância desta recomendação pode resultar numa perda de potência da ferramenta e no sobreaquecimento do cabo.
- Examine o cabo periodicamente em relação a eventuais danos.
- Substitua os cabos de extensão danificados.
- Em trabalhos de exterior, utilize apenas extensões com secção apropriada e correspondentemente indicadas.

Secções de cabo mínimas recomendadas e comprimentos máximos para uma tensão de rede de 120V

Cabo	AWG 16	AWG 14	AWG 12
Comprimento do cabo UD 16	50 ft	100 ft	150 ft
Comprimento do cabo UD 30	50 ft	125 ft	200 ft

6 Utilização

6.1 Preparação do local de trabalho

CUIDADO

Risco de ferimentos! Arranque inadvertido do produto.

- ▶ Retire a ficha antes de efectuar ajustes na ferramenta ou substituir acessórios.

Tenha em atenção as instruções de segurança e as advertências nesta documentação e no produto.



6.1.1 Colocar e ajustar o punho auxiliar ²

1. Rode o punho para soltar a abraçadeira (cinta de aperto) do punho auxiliar.



No caso do UD 16, certifique-se de que o casquilho está montado no punho do punho auxiliar.

2. Deslize a abraçadeira (cinta de aperto) a partir da frente sobre o mandril até à ranhura prevista para o efeito.
3. Posicione o punho auxiliar na posição pretendida, de acordo com as retenções predefinidas.



Certifique-se de que as nervuras da fita tensora engatam nas ranhuras no colar da caixa de engrenagens.

Se o punho auxiliar deslizar no material base após um bloqueio, verifique a união positiva/ nervuras no colar da caixa de engrenagens. Mande substituir as peças danificadas. Caso contrário, os binários já não poderão ser absorvidos através do punho auxiliar.

4. Rode o punho para apertar a abraçadeira (cinta de aperto) do punho auxiliar.

6.1.2 Montar e regular o limitador de profundidade ³

1. Desaperte o parafuso de fixação.
2. Empurre o limitador de profundidade para a abertura prevista para o efeito.
3. Ajuste o limitador de profundidade à profundidade de perfuração desejada.
4. Aperte bem o parafuso de fixação para o limitador de profundidade.

6.1.3 Desmontar o mandril de aperto rápido ⁴

1. Insira a chave de forqueta 17 na zona de aperto prevista do fuso da ferramenta.
2. Coloque uma chave de forqueta 19 no sextavado do mandril de aperto rápido.
3. Com a chave de forqueta 19, rode no sentido contrário ao dos ponteiros do relógio.
 - ▶ O mandril de aperto rápido é desaparafusado do fuso da ferramenta.

6.1.4 Montar o mandril de aperto rápido

1. Aparafuse manualmente o mandril de aperto rápido até ao batente do fuso da ferramenta.
2. Insira a chave de forqueta 17 na zona de aperto prevista do fuso da ferramenta.
3. Coloque uma chave de forqueta 19 no sextavado do mandril de aperto rápido.
 - ▶ Aperte-o com o binário de aperto definido de 120 Nm.

6.1.5 Desmontar o mandril de coroa dentada ⁵

1. Insira o ferro sextavado no mandril de coroa dentada.
2. Aperte a ferro sextavado com ajuda da chave de mandril.
3. Insira a chave de forqueta 17 na zona de aperto prevista do fuso da ferramenta.
4. Aplique uma chave adequada no ferro sextavado.
5. Com a chave de forqueta 19, rode no sentido contrário ao dos ponteiros do relógio.
 - ▶ O mandril de coroa dentada é desaparafusado do fuso da ferramenta.

6.1.6 Montar o mandril de coroa dentada

1. Insira o ferro sextavado no mandril de coroa dentada.
2. Aperte a ferro sextavado com ajuda da chave de mandril.
3. Aparafuse manualmente o mandril de coroa dentada até ao batente do fuso da ferramenta.
4. Insira a chave de forqueta 17 na zona de aperto prevista do fuso da ferramenta.
5. Aplique uma chave adequada no ferro sextavado.
6. Aperte-o com o binário de aperto definido de 120 Nm.

6.1.7 Inserir o acessório no mandril de aperto rápido ⁵

1. Rode o casquilho de bloqueio do mandril de aperto rápido no sentido contrário ao dos ponteiros do relógio.



Primeiro, o travamento é automaticamente solto.

2. Continue a rodar o casquilho, até que o acessório se solte.



6.1.8 Retirar o acessório do mandril de aperto rápido

1. Abra o mandril de aperto rápido até conseguir inserir a haste do acessório.
2. Fixe o acessório, rodando o casquilho no sentido dos ponteiros do relógio, até que o mandril de aperto rápido engate automaticamente.



O engate é claramente audível através de vários cliques.

6.1.9 Inserir o acessório no mandril de coroa dentada

1. Abra o mandril de aperto rápido até conseguir inserir a haste do acessório.
2. Coloque o acessório.
3. Feche o mandril de coroa dentada, rodando o anel de coroa dentada.
4. Insira a chave do mandril de perfuração numa das três furações no mandril de coroa dentada.
5. Para fixar o acessório, rode a chave do mandril de perfuração no sentido dos ponteiros do relógio.
6. Remova a chave.

6.1.10 Retirar o acessório do mandril de coroa dentada

1. Insira a chave do mandril de perfuração numa das três furações no mandril de coroa dentada.
2. Para abrir, rode a chave do mandril de perfuração no sentido contrário ao dos ponteiros do relógio.
3. Retire o acessório.
4. Remova a chave.

6.2 Trabalhar

6.2.1 Ligar/desligar o modo "operação continuada"



Com o botão de bloqueio é possível ajustar o berbequim para operação continuada, para que não seja necessário estar continuamente a pressionar o botão de controlo.

1. Pressione o interruptor on/off e mantenha-o nesta posição.
2. Pressione o botão de bloqueio e mantenha-o nesta posição.
3. Solte o interruptor on/off.
4. Solte o botão de bloqueio.
5. Para desligar a operação continuada, pressione o interruptor on/off e volte a soltar.

6.2.2 Ajustar a rotação à direita ou à esquerda



O comutador de rotação para a direita/esquerda não deve ser acionado durante o funcionamento.
Risco de danos!

- ▶ Ajuste o comutador de rotação para a direita/esquerda conforme o sentido de rotação pretendido.

6.2.3 Perfurar 1.ª e 2.ª velocidade

- ▶ Coloque o selector de funções na posição "Perfurar em primeira velocidade" ou "Perfurar em segunda velocidade".



Se necessário, o veio deve ser ligeiramente rodado.

6.2.4 Agitar

- ▶ Coloque o selector de funções na posição "Perfurar primeira velocidade".



Se necessário, o veio deve ser ligeiramente rodado.

6.2.5 Aparafusar

1. Ajuste o comutador de rotação para a direita/esquerda conforme o sentido de rotação pretendido.



2. Coloque o selector de funções na posição "Perfurar em primeira velocidade" ou "Perfurar em segunda velocidade".



Se necessário, o veio deve ser ligeiramente rodado.

7 Conservação e manutenção

AVISO

Perigo devido a choque eléctrico! A conservação e manutenção com a ficha de ligação inserida pode originar ferimentos graves e queimaduras.

- ▶ Retirar sempre a ficha de ligação antes de todos os trabalhos de conservação e manutenção!

Conservação

- Remover a sujidade persistente com cuidado.
- Limpe as saídas de ar cuidadosamente com uma escova seca.
- Limpar a carcaça apenas com um pano ligeiramente humedecido. Não utilizar produtos de conservação que contenham silicone, uma vez que estes poderiam danificar os componentes de plástico.

Manutenção

AVISO

Perigo devido a choque eléctrico! Reparações incorrectas em peças eléctricas podem causar ferimentos e queimaduras graves.

- ▶ As reparações na parte eléctrica apenas podem ser executadas por um electricista especializado.
- Verificar, regularmente, todos os componentes visíveis quanto a danos e os comandos operativos quanto a funcionamento perfeito.
- Em caso de danos e/ou perturbações de funcionamento, não operar o produto. Mandar reparar de imediato pelo Centro de Assistência Técnica **Hilti**.
- Após os trabalhos de conservação e manutenção, aplicar todos os dispositivos de protecção e verificar o respectivo funcionamento.



Para um funcionamento seguro, utilize apenas peças sobresselentes e consumíveis originais. Poderá encontrar peças sobresselentes, consumíveis e acessórios aprovados por nós para o seu produto no seu **Hilti Store** ou em: www.hilti.group.

8 Transporte e armazenamento

Transporte

- ▶ Não transporte este produto com a ferramenta inserida.
- ▶ Certificar-se de que está bem apertado durante o transporte.
- ▶ Após cada transporte, verifique todos os componentes visíveis quanto a danos e os comandos operativos quanto a funcionamento perfeito.

Armazenamento

- ▶ Armazene este produto sempre com a ficha de rede retirada.
- ▶ Guarde este produto num local seco e fora do alcance das crianças e pessoas não autorizadas.
- ▶ Após um armazenamento prolongado, verifique todos os componentes visíveis quanto a danos e os comandos operativos quanto a funcionamento perfeito.

9 Ajuda em caso de avarias

No caso de avarias que não sejam mencionadas nesta tabela ou se não conseguir resolvê-las por si mesmo, contacte o nosso Centro de Assistência Técnica **Hilti**.

9.1 Localização de avarias

Avaria	Causa possível	Solução
A ferramenta não arranca.	Avaria na rede eléctrica	▶ Insira outra ferramenta eléctrica e verifique o funcionamento.



Avaria	Causa possível	Solução
A ferramenta não arranca.	Cabo de alimentação ou ficha com defeito.	▶ Mandar verificar e, se necessário, substituir por um electricista especializado.
	Avaria do sistema electrónico	▶ Mandar verificar e, se necessário, substituir por um electricista especializado.
Fraca performance da ferramenta.	Extensão de cabo tem secção inadequada.	▶ Utilize uma extensão de cabo com secção permitida.
	O interruptor on/off não foi totalmente pressionado.	▶ Pressione o interruptor on/off o máximo possível.
A broca não avança.	O comutador está na posição "rotação para a esquerda".	▶ Coloque a ferramenta na posição de rotação para a direita.
	A broca está romba ou danificada.	▶ Rectifique a broca ou substitua-a.
A broca não roda.	Mandril não está bem apertado.	▶ Aperte o mandril.

10 Reciclagem

As ferramentas **Hilti** são, em grande parte, fabricadas com materiais recicláveis. Um pré-requisito para a reciclagem é que esses materiais sejam devidamente separados. Em muitos países, a **Hilti** aceita a sua ferramenta usada para reutilização. Para mais informações dirija-se ao Serviço de Clientes **Hilti** ou ao seu vendedor.



- ▶ Não deite as ferramentas eléctricas, aparelhos electrónicos e baterias no lixo doméstico!

11 Garantia do fabricante

- ▶ Se tiver dúvidas em relação às condições de garantia, contacte o seu parceiro **Hilti** local.







Hilti Corporation
LI-9494 Schaan
Tel.:+423 234 21 11
Fax:+423 234 29 65
www.hilti.com



273764