



Hilti X-NK STEEL/CONCRETE NAILS WITH WASHER Submission Folder

Product Information

X-NK STEEL/CONCRETE NAILS WITH WASHER	2
DX 5 Powder-actuated tool	3
DX 351 Powder-actuated tool	5
DX 2 Powder-actuated tool	7

Technical	9
-----------	---

Information Letters

Gov Letter	11
Country of Origin	13

Job Reference	14
---------------	----



Recycling one ton of paper saves 17 trees and 7000 gallons of water.
Please consider your environmental responsibility before using the hard copy version!

NK ENK STEEL/CONCRETE NAILS WITH WASHER**APPLICATIONS**

- Everyday fastening to concrete, steel and sand-lime masonry (NK nail)
- Everyday fastening to steel (ENK nail)
- Fastening metal track, battens or sill plates to concrete or steel (NK nail)
- For fastening temporary formwork or barriers on concrete (NK nail)
- Fastening metal track for plasterboard/dry lining to steel (ENK nail)

**Order Now**

Ordering designation	Shank length	Shank diameter	Sales pack quantity	Item number
X-NK 22 S12	3.7 mm	3 mm	100 pc	410057¹⁾
X-NK 27 S12	3.7 mm	3 mm	100 pc	41058
X-NK 32 S12	3.7 mm	3 mm	100 pc	41059
X-NK 37 S12	3.7 mm	3 mm	100 pc	41060
X-NK 42 S12	3.7 mm	3 mm	100 pc	41061¹⁾
X-NK 47 S12	3.7 mm	3 mm	100 pc	41062¹⁾
X-NK 54 S12	3.7 mm	3 mm	100 pc	41070¹⁾

¹⁾ For detailed stock availability and lead time information please contact your Hilti representative.

Please visit [Hilti website](#) for the latest item numbers and related products

Powder-actuated tool DX 5 **NEW**



APPLICATIONS

- Fastening wood to concrete, sand-lime block or steel
- Fastening sheet metal to concrete, sand-lime block or steel
- Attaching drainage foils and membranes to concrete or CMU block
- Installing wall or brick ties
- Fastening various items such as cable conduits and cable ties to steel and concrete in electrical installation work

ADVANTAGES

- Easy to use and maintain
- Compact, sleek design allows access in narrow spaces
- Ergonomically designed grip and tool nose
- Maximum nail length 62 mm, or 72 mm for wood-to-concrete applications

Technical data

Power (max.)	325 J
Weight	3.37 kg
Base materials	Concrete, Steel
Automatic piston return	Yes
Noise (pressure) level at work station: LpA, 1s¹⁾	101 dB (A)
Dimensions (LxWxH)	478 x 72 x 180 mm
Max. fastener driving rate	450 / h
Cartridge type	6.8/11 M10
Fastener intake	Single
Fastener length range	12 - 72 mm

¹⁾ Declared measured values of noise characteristics according to 2006/42/EC Machinery Directive in conjunction with E DIN EN 15895



Fleet Management



Order Now



Ordering designation	Package contents	Sales pack quantity	Item number
DX 5 F8	1x Basic unit DX 5_01, 1x Fastener guide X-5-460-F8 assy, 1x Piston X-5-460-P8, 1x Cleaning kit X-5-460-Clean, 1x Case	1 pc	3612972

Please visit Hilti website for the latest item numbers and related products

DX cartridge 6.8/11 M10

APPLICATIONS

- For use with DX 2, DX 5, DX 460, DX 351, DX 450, DX 36, DX A40, DX A41














Order Now



Ordering designation	Cartridge type	Cartridge power level	Sales pack quantity	Item number
6.8/11 M10 red	.27 calibre short	Heavy	100 pc	416474
6.8/11 M10 yellow	.27 calibre short	Medium-light	100 pc	416473

Please visit Hilti website for the latest item numbers and related products

Accessories for DX 460 & DX 5

Ordering designation		Sales pack quantity	Item number
Buffer X-5-460-B		1 pc	373330 ¹⁾
Fastener guide X-5-460-F10		1 pc	373319 ¹⁾
Fastener guide X-5-460-F8		1 pc	304529
Fastener guide X-5-460 F8GR		1 pc	386012 ¹⁾
Fastener guide X-5-460 F8N15		1 pc	304530 ¹⁾
Piston X-5-460-P8		1 pc	373297
Piston X-5-460-PGR		1 pc	305448 ¹⁾
Protective cap X-SGF		1 pc	304416
Pole Tool X-PT 7ft for DX 5		1 pc	3579594
Receptacle X-PT 5 assy		1 pc	2150263
Cleaning kit DX-5-460		1 pc	372810

¹⁾ For detailed stock availability and lead time information please contact your Hilti representative.

Please visit Hilti website for the latest item numbers and related products

Powder-actuated tool DX 351



APPLICATIONS

- Quick and convenient for fastening applications such as drywall track attachment, electrical, plumbing and HVAC installation work
- Installing threaded studs to concrete or steel
- Fastening suspended ceilings

ADVANTAGES

- Automatic piston return and cartridge advance
- Very user-friendly: light, low recoil, low noise
- Pole tool available for overhead applications



Fleet Management

Technical data

Power (max.)	245 J
Weight	2.2 kg
Base materials	Concrete, Steel
Automatic piston return	Yes
Noise (pressure) level at work station: LpA, 1s¹⁾	99 dB (A)
Dimensions (LxWxH)	404 x 56 x 164 mm
Max. fastener driving rate	700 / h
Cartridge type	6.8/11 M10
Fastener intake	Single
Fastener length range	12 - 47 mm

¹⁾ Declared measured values of noise characteristics according to 2006/42/EC Machinery Directive in conjunction with E DIN EN 15895



Order Now **Watch Video**



Ordering designation	Package contents	Sales pack quantity	Item number
DX 351 M+E	1x Powder-actuated tool DX 351 M+E, 1x Piston X-P8S-351, 1x Fastener guide X-FG8ME351 assy, 1x Cleaning kit DX 351, 1x Case	1 pc	373182

Please visit Hilti website for the latest item numbers and related products

DX cartridge 6.8/11 M10

APPLICATIONS

- For use with DX 2, DX 5, DX 460, DX 351, DX 450, DX 36, DX A40, DX A41








Order Now



Ordering designation	Cartridge type	Cartridge power level	Sales pack quantity	Item number
6.8/11 M10 red	.27 calibre short	Heavy	100 pc	416474
6.8/11 M10 yellow	.27 calibre short	Medium-light	100 pc	416473

Please visit Hilti website for the latest item numbers and related products

Accessories for DX 351

Ordering designation		Sales pack quantity	Item number
Fastener guide X-FG8ME351		1 pc	362174 ¹⁾
Piston X-P8S-351 packed		1 pc	406929
Protective cap X-SGF		1 pc	304416
Pole Tool X-PT 7ft for DX 351		1 pc	3579452
Receptable X-PT351		1 pc	333312
Cleaning kit DX 351		1 pc	2003832

¹⁾ For detailed stock availability and lead time information please contact your Hilti representative.

Please visit Hilti website for the latest item numbers and related products

Semi-automatic powder-actuated tool DX 2 **NEW**



APPLICATIONS

- Attaching drywall framing to concrete
- Fastening wood to concrete and steel
- Attaching kicker plates to concrete

ADVANTAGES

- Easy to use and maintain
- Compact, sleek design allows access in narrow spaces
- Ergonomically designed grip and tool nose
- Maximum nail length 62 mm, or 72 mm for wood-to-concrete applications



Fleet Management



Technical data

Power (max.)	245 J
Weight	2.4 kg
Base materials	Concrete, Steel
Automatic piston return	No
Noise (pressure) level at work station: LpA, 1s¹⁾	104 dB (A)
Dimensions (LxWxH)	345 x 50 x 157 mm
Max. fastener driving rate	450 / h
Cartridge type	6.8/11 .27 calibre short, 6.8/11 M10
Fastener intake	Single
Fastener length range	14 - 62 mm

¹⁾ Declared measured values of noise characteristics according to 2006/42/EC Machinery Directive in conjunction with E DIN EN 15895



[Order Now](#)



[Watch Video](#)



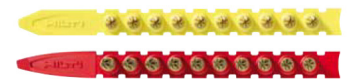
Ordering designation	Package contents	Sales pack quantity	Item number
DX 2	1x Powder-actuated tool DX 2, 1x Round brush 5/8, 1x Round brush, 1x Spares pack DX 2 packed, 1x Case	1 pc	2084169

Please visit Hilti website for the latest item numbers and related products

DX cartridge 6.8/11 M10

APPLICATIONS

- For use with DX 2, DX 5, DX 460, DX 351, DX 450, DX 36, DX A40, DX A41












[Order Now](#)



Ordering designation	Cartridge type	Cartridge power level	Sales pack quantity	Item number
6.8/11 M10 red	.27 calibre short	Heavy	100 pc	416474
6.8/11 M10 yellow	.27 calibre short	Medium-light	100 pc	416473

Please visit Hilti website for the latest item numbers and related products







Accessories for DX 2

Ordering designation		Sales pack quantity	Item number
Piston DX 2 kit 1 x piston 2/DNI, 1 x spring clip DX 2		1 pc	2103082
Spares pack DX 2 packed 2x spring clip, 2x ball, 1x piston lock		1 pc	2094647
Fastener guide X-2-F8 packed		1 pc	2094644 ¹⁾
Baseplate X-2-S packed		1 pc	2094645 ¹⁾
Piston guide DX 2 packed		1 pc	2094646 ¹⁾
Stabilizer plate X-2-STAB packed		1 pc	2094648 ¹⁾
Pole Tool X-PT 7ft for DX 2		1 pc	3579451
Receptacle X-PT 2		1 pc	2094657
Cleaning kit DX 2 3x metal cleaning brush, 1x black cleaning cloth		1 pc	2097040

¹⁾ For detailed stock availability and lead time information please contact your Hilti representative.

Please visit Hilti website for the latest item numbers and related products

Other Accessories for DX tools

Ordering designation		Sales pack quantity	Item number
Pipe X-PT 1ft		1 pc	254685
Pipe X-PT 3ft		1 pc	254684
Grip section X-PT assy		1 pc	254687
Tool bag X-PT CT		1 pc	388152
Spray 66ml		1 pc	308976
Safety glasses PP EY-CA NCH clear		1 pc	2065449 ¹⁾

¹⁾ For detailed stock availability and lead time information please contact your Hilti representative.

Please visit Hilti website for the latest item numbers and related products

10.2.28 NK General Purpose Nails for Concrete, Sandlime-Masonry and Steel

Carbon steel shank: HRC54±1
Coating: 5 - 13 µm zinc

Sill plates, battens to concrete

Drywall track, battens to steel

Drywall track to concrete

Forming, barriers, temporaries

Fastener Programme				Selection of Nail for Wood/soft Material Application	
①	Designation	L _s (mm)	DX Tools	<p>Nailheads countersunk 3 mm</p> <p>Example: Fasten 75 mm thick wood with NK97 Q: What is the penetration depth? A: 27mm</p>	
	NK 22 S12	22	DX 450		
	NK 27 S12	27			
	NK 32 S12	32			
	NK 37 S12	37			
	NK 42 S12	42			
	NK 47 S12	47			
	NK 54 S12	54			
	NK 62 S12	62			
	NK 72 S12	72			
	NK 82 D12	82			
	NK 97 D12	97			
	NK 117 D12	117			

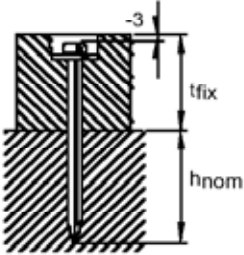
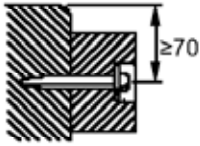
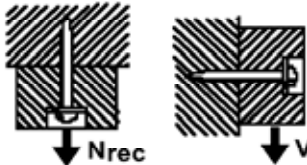
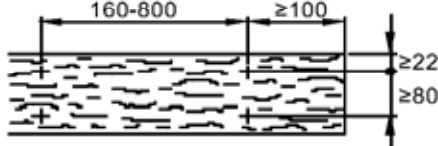
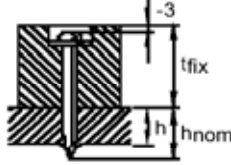
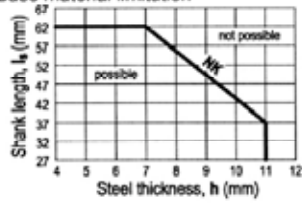
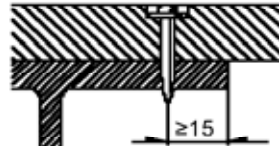
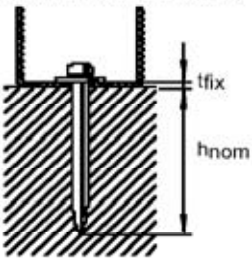
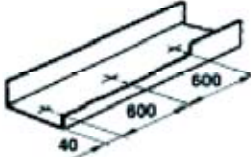

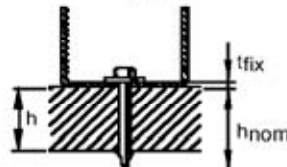
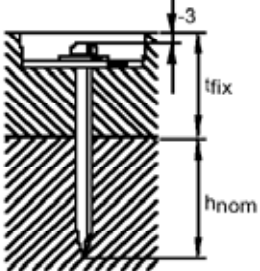
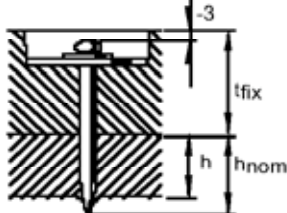
Test Data			
<p>Pullout from concrete</p>	<p>Pullout from steel</p>	<p>Pullover, wood and woodwool</p>	<p>Pullover, metal</p>

Application Approvals and Governing Design Guidelines

Lloyd's, ABS

Technical data (design loads, application restrictions, etc.) presented in these approvals and design guidelines reflect specific local conditions and may differ from those published in this handbook. If the project is in a jurisdiction where the fastening is subject to the approval process or where a design guideline must be used, technical data in the approval or design guideline has precedence over data presented here. Approval copies are available from your Hilti technical advisory service.

10.2.28 NK General Purpose Nails for Concrete, Sandlime-Masonry and Steel

Wood to Concrete and Steel														
<p>Concrete, sandlime masonry</p>  <p>Lightweight concrete $h_{nom} = 32 - 37 \text{ mm}$</p> <p>Concrete & Sandlime-Masonry h_{nom} according to f_{ce}:</p> <table border="1"> <tr> <td>f_{ce} (MPa)</td> <td>15</td> <td>25</td> <td>35</td> </tr> <tr> <td>h_{nom} - NWC</td> <td>32</td> <td>27</td> <td>22</td> </tr> <tr> <td>h_{nom} - sandl.</td> <td>32</td> <td>27</td> <td>27</td> </tr> </table> <p>$L = h_{nom} + t_{fix} - 3$</p> <p>Edge distance: concrete</p> 	f_{ce} (MPa)	15	25	35	h_{nom} - NWC	32	27	22	h_{nom} - sandl.	32	27	27	<p>Recommended working loads (predominantly static)</p>  <p>Concrete, Sandlime-Masonry: 400 N Steel: 600 N</p> <p>Design conditions:</p> <ol style="list-style-type: none"> 1a. Minimum 5 fastenings per fastened unit (normal weight concrete) 1b. Increase to 600N possible if 8 or more fastenings in each fastened unit. 1c. All visible failures must be replaced. 2. Single point design possible with steel, sandlime-masonry or lightweight concrete base material. 3. Valid for concrete, sandlime $f_{ce} < 40 \text{ mPa}$ 4. Fastened material: <ul style="list-style-type: none"> • wood, minimum thickness = 24 mm • plwood, minimum thickness = 16 mm <p>Spacing on wood:</p> 	<p>Steel</p>  <p>$h_{nom} = 15 - 27 \text{ mm}$</p> <p>Base material limitation</p> <p>Base material limitation</p>  <p>Edge distance: steel</p> 
f_{ce} (MPa)	15	25	35											
h_{nom} - NWC	32	27	22											
h_{nom} - sandl.	32	27	27											
<p>Drywall Track to Concrete, Sandlime-Masonry and Steel</p> <p>Concrete, Sandlime-Masonry</p>  <p>Select h_{nom} according to f_c:</p> <table border="1"> <tr> <td>f_c (Nmm²)</td> <td>15</td> <td>25</td> <td>35</td> </tr> <tr> <td>h_{nom} - Conc.</td> <td>32</td> <td>27</td> <td>22</td> </tr> <tr> <td>h_{nom} - Sandlime</td> <td>32</td> <td>27</td> <td>27</td> </tr> </table>	f_c (Nmm ²)	15	25	35	h_{nom} - Conc.	32	27	22	h_{nom} - Sandlime	32	27	27	<p>Spacing along track (per U.S. Gypsum Handbook)</p>  <p>At track ends (cut-outs for doors), secure with 2 nails</p> 	<p>Steel</p>  <p>Use NK 22, or NK 27 (if placeable)</p> <p>Alternate nails: ENK 16, ENK 19</p>
f_c (Nmm ²)	15	25	35											
h_{nom} - Conc.	32	27	22											
h_{nom} - Sandlime	32	27	27											
<p>Soft Material to Concrete, Sandlime-Masonry and Steel</p> <p>Concrete, Sandlime-Masonry</p> 	<ul style="list-style-type: none"> • Working loads depend on strength and thickness of material fastened. Do not use working loads in excess of those for wood. • Conditions as for fastening wood. • Use R23 or R36 ($\phi 4.5$ hole) washer to control penetration and to increase pullover strength. Separately available from Hilti 	<p>Steel</p>  <p>$h_{nom} = 15 - 27 \text{ mm}$</p>												

Hilti (Hong Kong) Limited
17/F, Tower 6,
China Hong Kong City,
33 Canton Road,
Tsimshatsui,
Kowloon.

4 June, 1997

Attention: Mr. Denny Wu

Dear Sir,

Procedures for building materials submission

I refer to your letter dated 19 May, 1997 concerning the above.

2. Please be advised that there is no provision under the Buildings Ordinance for the Building Authority to approve any proprietary building products. Under the Buildings Ordinance, authorized persons and/or registered structural engineers are required to supervise building works including the selection and installation of proprietary building products and to certify compliance with the Buildings Ordinance upon completion of works. They are therefore responsible for ensuring the health and structural safety requirements, inter alia, of these building products in the building projects which they have been appointed by the developer to co-ordinate and supervise. It is also their responsibility to ensure these products have been installed in accordance with the manufacturers' specifications and complied with the Buildings Ordinance and Regulations.
3. In establishing the acceptability of the proprietary products in building works, reference may be made to the performance standards laid down in Building (Construction) Regulations 1990 and the current Practice Note for Authorized Persons and Registered Structural Engineers 140 in which performance requirements for compliance are given. Reliance may also be placed on the test/assessment report prepared by a recognized laboratory or an equivalent establishment.
4. Before the proprietary products are installed in a building project, the authorized person and/or registered structural engineer appointed for the project should be approached by the manufacturers or their agents for advice and guidance. **Prior approval/acceptance from the Buildings Department is not required.**
5. Generally, all relevant information supporting the use of the proprietary products in building works under the Buildings Ordinance should be submitted associated with the prescribed plans for approval on project basis.

/ Notwithstanding....


- 2 -

6. Notwithstanding the above, the proprietary building products to which 'No objection' letters have been given are still recognized as accepted constructional materials to be used in building works under the Buildings Ordinance provided that all conditions specified in the letters are satisfied. You are informed that the procedures currently adopted by the Building Authority for processing statutory approval of plans which involve the use of these proprietary building products remain unchanged.

7. It is a fact that the 'No objection' letter giving general acceptance to a proprietary building product is based on the technical information submitted to this Department at the time of its application. Should there be any significant modification to these technical information, the product will certainly be considered as 'new' product. The acceptability of such proprietary product in building works should be evaluated by the authorized person and/or registered structural engineer appointed for the project as mentioned above.

8. Should you have any further queries to the above, please feel free to contact the undersigned or Mr. T.C. Kan of this office at phone no. 2626 1583.

Yours faithfully,


(K.S. Chang)

Technical Secretary/Structural
for Building Authority .

tck/

Attn. : To whom it may concern

Date : 27 September 2023
Ref. : 111/DF/DY/23

Subject : Country of Origin- Hilti X-NK nails

Dear Sir / Madam,

Enclosed please find the information of X-NK nails.

Brand Name : Hilti

Model Name : Hilti X-NK nails

Manufacturer : Hilti Corporation

Address of Manufacturer : FL-9494, Principality of Liechtenstein.

Manufacturer Contact Person : Dennis Yeung

Supplier : Hilti (Hong Kong) Ltd

Address of Supplier : 701-704, 7/F, Tower A, Manulife Financial Centre,
223 Wai Yip Street, Kwun Tong, Kowloon, Hong Kong

Supplier Contact Person : Dennis Yeung (+852 9723 4621)

Country of Origin : China

Should you have further questions, please do not hesitate to contact our Technical Representatives, Customer Service Hotline at 8228-8118, or email us at hksales@hilti.com.

Yours faithfully,



Dennis Yeung
Head of Product Leadership Strategy, F&P

Hilti (Hong Kong) Ltd.
701-704 | Tower A | Manulife Financial Centre
223 Wai Yip Street | Kwun Tong
Kowloon | Hong Kong
P +852-8228 8118 | F +852-2954 1751
www.hilti.com.hk



Hilti X-NK Steel/Concrete Nails with Washer Job Reference

Year	Project Name	Customer Name	Project type
2020	KWUN TONG INDUSTRIAL CENTRE	GOLDEN POWER GLOBAL LIMITED	
2020	SHEUNG SHUI PLAZA	YU TAT STEEL ENGINEERING LIMITED	
2020	WAH YIU INDUSTRIAL CENTRE	YEUNG KONG HONG METAL GROUP LIMITED	
2020	FUK HONG IND BLDG	DONG CHENG TOOL (HK) LTD	
2020	WAH YIU INDUSTRIAL CENTRE	YEUNG KONG HONG METAL GROUP LIMITED	
2020	ONE MIDTOWN	JI LUNG (H.K.) LIMITED	
2020	CENTURY INDUSTRIAL CENTRE	CHIT TAT SING DECORATION ENGRG CO	
2020	VIET SHING FACTORY BUILDING	MEI NGN INTERIOR DECORATION	
2020	FO TAN RAILWAY HOUSE	MTR CORPORATION LIMITED	
2020	2/F MA ON INDUSTRIAL BUILDING	DIXON CONTRACTING CO LTD	
2020	FUK HONG IND BLDG	DONG CHENG TOOL (HK) LTD	
2021	2-8 KUNG YIP STREET	MILLION TARGET ENTERPRISES LTD	
2021	NO.17 TING YIP ST,	CHIT WING (ASIA) ENGINEERING LTD	
2021	CASTLE PEAK ROAD (SAN TIN)	KL-CW JV	
2021	HIU CHING HOUSE	TUNG FAI ENGINNERING COMPANY	
2021	ON LEE BUILDING	CHEUNG YAU (HK) ENGINEERING	
2021	RHYTHM GDN	PING LAM DECORATION DESIGN	
2021	RM 620C, WANG CHEONG FACTORY	FULL TECH ENG CO.	
2021	FUK ON FACTORY BUILDING	HOP FAT CONSTRUCTION	
2021	223 TUNG CHOI STREET	TOPPER ENG CO	
2021	WANG CHEONG FACTORY ESTATE	PO YA ENGINEERING CO LTD	
2021	5 KAM LAM STREET	A. SHUN & CO., LTD.	
2022	CENTRE 600	TAI HONG ENGINEERING LIMITED	
2022	ON FOOK INDUSTRIAL BUILDING	CHUN CHIN DESIGN ENGINEERING LTD	
2022	WING KIN INDUSTRIAL BUILDING	CHUN FAT WINDOW ENGINEERING CO	
2022	CHING TAI COURT	TIM BO ENGINEERING CO	
2022	MEI HING IND BLDG	CARPENTER K LIMITED	
2022	CONCORDIA PLAZA	KWAN CHEUK ENGINEERING COMPANY	
2022	CENTURY INDUSTRIAL CENTRE	CHIT TAT SING DECORATION ENGRG CO	
2022	RHYTHM GDN	PING LAM DECORATION DESIGN	
2022	SHUI ON CENTRE	LEIGHTON - CHINA STATE JOINT	