

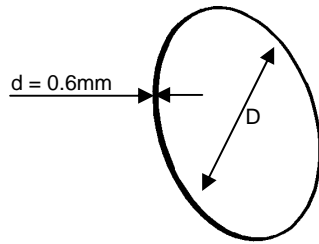
GX Eco Washer R23-0.6 & R36-0.6

Product Data

R__ - 0.6 Eco

Fastening tool: **GX 120**

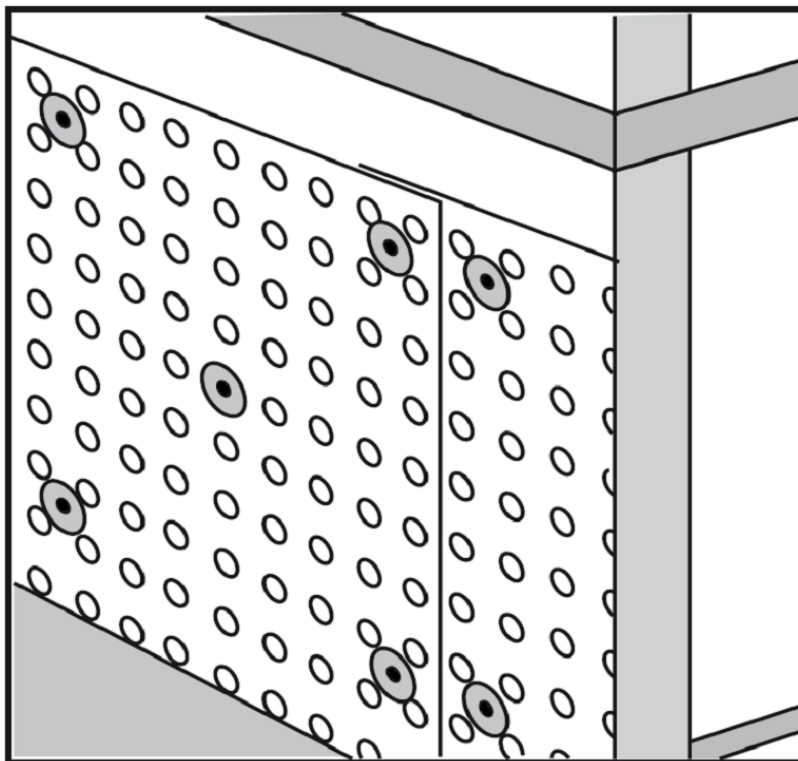
Fasteners: **X-GN Nails**



Specification

Washer: carbon steel according to ASTM B633 Fe/Zn
 thickness: 0.6 mm
 diameter D: 23 mm or 36 mm
 zinc coated: 5-13 µm

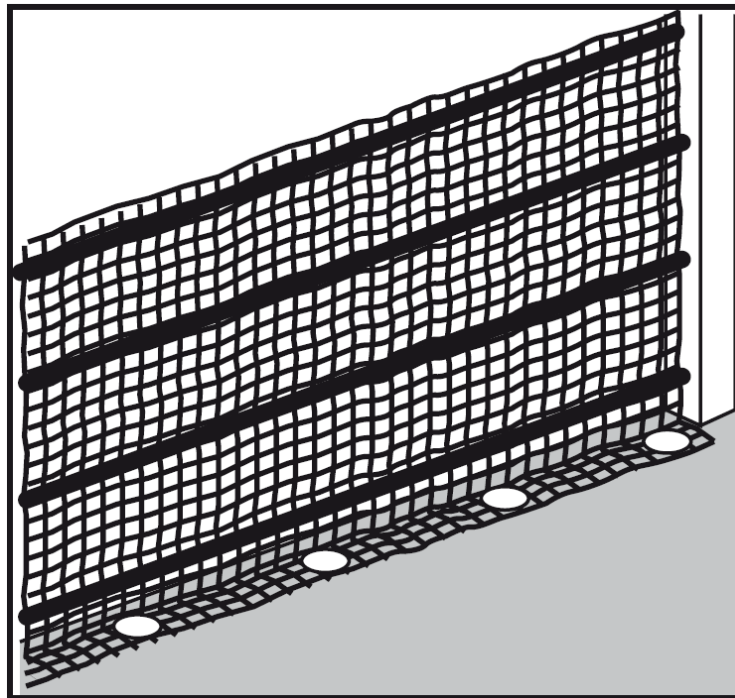
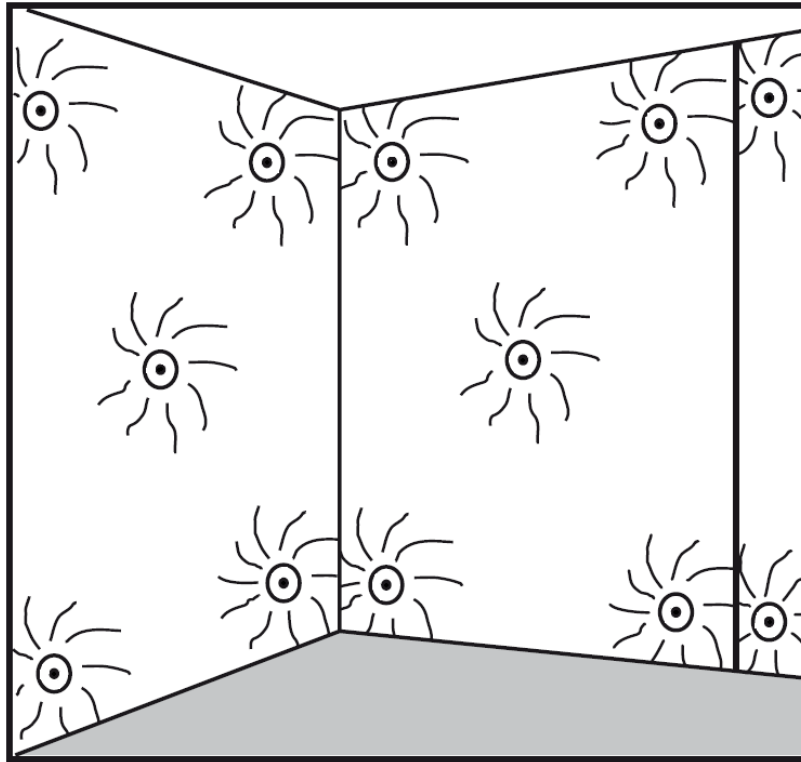
Application



GX Eco Washer

Intended use:

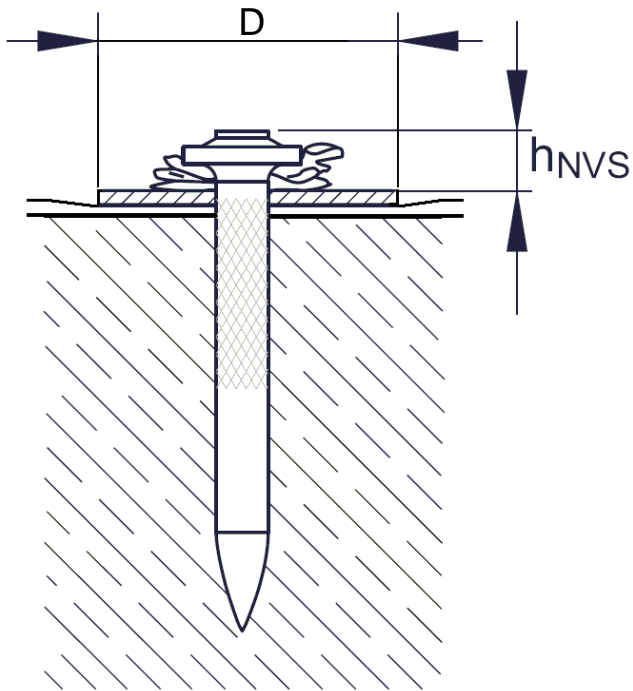
fastening of membranes,
 drainage plates, nets and other
 soft material.

**Standard GX Eco Washer**

Designation	Item No	Box Contents
R23-0.6 Eco	407950	1000
R36-0.6 Eco	407951	1000

Fastening Quality Assurance

Fastening inspection



$h_{NVS} = 2 \text{ to } 5 \text{ mm}$



The photograph gives a visual impression of a correctly driven pin.

h_{NVS} ... Nail head standoff = Distance from top of the nail head to the top surface of the washer.